

Klemsan 50th
ANNIVERSARY

Product Catalogue

50
Years

Klemsan

100
Countries

www.klemsan.com

**Terminal Blocks
Marking Solutions
Wiring Ducts
Electronic Products**



Terminal Blocks

Terminal blocks are components and systems the main function of which is to ensure safe and secure electrical and mechanical conductor connections. The term covers all conceivable types, designs and forms of connection. From the application point of view, the most important group of terminals is that of rail mounted modular terminal blocks.

- The current carrying bar must be made of metals which reduce electrical losses to minimum.
- Insulation material must be nonflammable and self extinguishing.
- The screw must not be loosed due to vibration.
- The current carrying bar must have such a form that the conductor has a strong contact area in the connection point.

The terminal block series should have a complete range together with all the accessories to provide the best solutions in an ideal area.



Connection Systems

SCREW CONNECTION

This is the most popular of all known methods of connection. Screw connection refers to any connection in which the conductor is stripped of its insulation and clamped without any special preparation. Klemsan screw clamp system is built in protection against loosening.

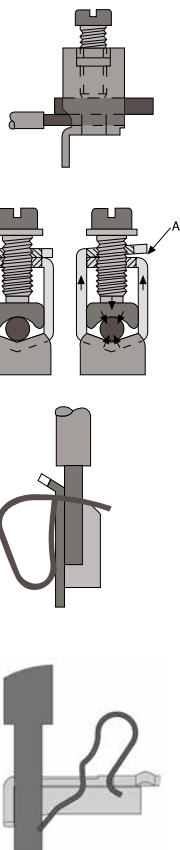
When the screw is tightened, the resultant pressure pulls apart both halves of the clamping yoke. This generates a particularly high locking action on the screw. These clamping systems provide excellent vibration resistance.

SPRING CLAMP SYSTEM

The stainless steel spring presses the conductor directly against the current bar. Due to the special construction of the clamping body, the contact force is further increased when pulling the conductor.

PRACTICAL SPRING CLAMP SYSTEM

In addition to spring clamp system, with practical technology, there is no need to use a screwdriver, cable is connected to the terminal by just pushing in.



Materials

KLEMSAN terminals are made of selected standard materials. Insulating materials, clamping and conducting metals are subjected to strict quality control as required by stringent international standards.

Clamping yokes and screws are zinc plated which considerably increases the resistance to corrosion. Current bars are made out of brass / electrolytic copper. Coating of tin / lead oxide, nickel while ensuring surface protection guarantees very low contact resistance.

Engineering thermoplastic Polyamide 6.6 has excellent electrical, mechanical and chemical characteristics even at temperatures as high as 100 °C and contain no cadmium based color pigments. Polyamide 6.6 moulded housing absorbs humidity from its surroundings. This makes the plastic material elastic and fracture proof even at temperatures as low as -40 °C. Being a self extinguishing material it is difficult to ignite and burns only as long as there is a longlasting supporting flame. It is rated V0 or V2 according to UL94. Good aging resistance and insensitivity to ultraviolet light makes it suitable for tropical and open air applications.

Main Terminology

Modular Terminal Blocks: Modular terminal blocks are used worldwide. Whether they be in distribution boards, control centers or machine control systems, in ships, power stations or railway rolling stock, Klemsan terminals guarantee safe connections in all low voltage installations. In view of this versatile and worldwide application, the materials used and the technical data achieved meet the highest quality standard. Approvals have been obtained from all major industrial countries.

Rated Cross-Sec.: The rated Cross-Sec. of a terminal block is a value of conductor Cross-Sec. which is indicated by the manufacturer and covered by the thermal, mechanical and electrical requirements.

Rated Current: The rated current of a terminal block is a current value which is indicated by the manufacturer and covered the thermal, mechanical and electrical requirements on using the rated Cross-Sec..

The Rated Voltage: The rated voltage of a terminal block is a voltage value which is stated by the manufacturer according to creepage and clearance distances and which does not allow any deformation on product.

Nominal Dimensions: Nominal dimensions are the overall dimensions of the terminal block with fixings, but without tolerances. To the specified terminal with a tolerance of +0.2 mm. must be allowed during design when mounting in rows.

Insulation Stripping Length: The required stripping length for every Klemsan product is stated in mm. These lengths must be observed.

End Plate: The last terminal in a rail mounted assembly must be closed with an end plate. The end plate is held in position by the end bracket.

Partition: The partition is required for the visual separation of circuits or for electrical separation in case of adjacent cross connections.

Small Partition: Small partitions can be inserted after assembly into terminal blocks of up to a Max. thickness of 10 mm. between cross connections and test sockets.

Conductors

Aluminum and copper conductors are used for the connection of terminals, but copper conductors are used more frequently. These conductors are divided into two main categories.

- 1- Rigid conductors
 - a- Solid strand
 - b- Knitted conductors

2- Fine Strand

Conductor cross sections are distinguished as metric and American standards.

Metric mm ²	American AWG / kcmil	Equivalent Cross-Sectional area mm ²
0,2	24	0,205
0,34	22	0,324
0,5	20	0,519
0,75	18	0,82
1	-	-
1,5	16	1,3
2,5	14	2,1
4	12	3,3
6	10	5,3
10	8	8,4
16	6	13,3
25	4	21,2
35	2	33,6
50	0	53,5
70	00	67,4
95	000	85
-	0000	107,2
120	250 kcmil	127
150	300 kcmil	152
185	350 kcmil	177
240	500 kcmil	253
300	600 kcmil	304

AWG : (American Wire Gauge) American standard of measure

1 kcmil : 1000 cmils

1 cmil : (1 circular mil) the area of a circle with a Width of one mil

1 mil : 1/1000 inch

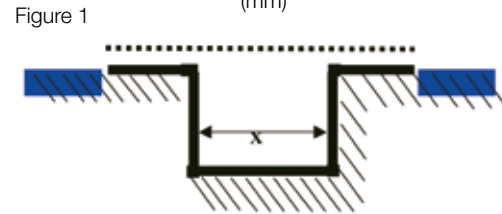
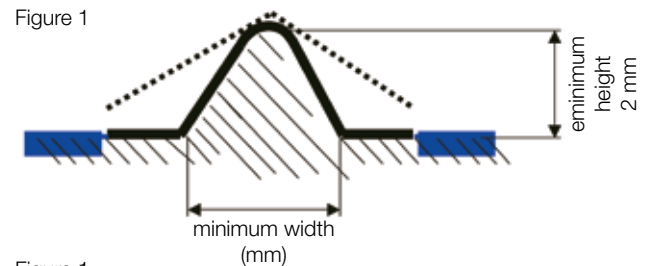
Clearance and Creepage Distances

If the corresponding clearance distance is less than 3 mm, the smallest groove width may be reduced to 1/3 of this clearance distance.

The measuring methods of clearance and creepage distances are revealed in IEC 60947-1 EK G. Projections decrease the creepages with a high level. Therefore, the clearance which has a projection higher than 2mm can be decreased with 80 percent. (FIGURE 1).

Klemsan terminals has pollution degree 3 according to IEC 60947-1 standart. "Conductive pollution or dry, non-conductive pollution occurs liable to be rendered conductive through anticipated moisture condensation."

Degree of Soiling	Minimum Width "x" in mm
1	0,25
2	1,0
3	1,5
4	2,5



..... Clearance distances
 ——— Creepage distances

Pollution Severities

Pollution Severity is a classification of environmental conditions under which a terminal block operates.

It is not the atmosphere in a terminal block which determines the isolation performance, but it is creepage distance and micro environment of clearance distance which do this. Microenvironment can be better or worse compared to the atmosphere operated in.

There are 4 identified degrees of microenvironment pollution in evaluating creepage and clearance distances.

Pollution Severity 1:

No pollution or only dry and non-conductive pollution

Pollution Severity 2:

Only non-conductive pollution at a normal level. Besides there may be short-time pollution due to the condensation occurring occasionally

Pollution Severity 3:

Either conductive or dry and non-conductive pollution occurring due to the condensation

Pollution Severity 4:

Permanent pollution occurring due to conductive dust, rain or snow.

Isolation Material Groups

Material groups are classified in line with the creepage distance indices (CTI) as shown below:

- Material group I $600 \leq CTI$
- Material group II $400 \leq CTI < 600$
- Material group IIIa $175 \leq CTI < 400$
- Material group IIIb $100 \leq CTI < 175$

Specified CTI values directly affect the creepage distances. Below are the distances as regards to some voltage values

Distances are in mm.	Pollution Severity 3			
	Material Group			
Rated Voltage Value (V)	I	II	III A	III B
400	5	5,6	6,3	6,3
500	6,3	7,1	8	8
630	8	9	10	10

Protection Types

PE CONDUCTOR: The conductor with Earthing protection only. Mounting rails may be used as protective conductor busbars, provided that the values specified in below table for thermal short-time withstand current and thermal rated current are not exceeded.

Rail Profile	Material	Equivalent E.Cu Cross-Sec. (mm ²)	Short time withstand current (A)	Thermal rated current of a PEN busbar (A)
MR 15 x 5,5	Steel	10	1,2	-
	Copper	25	3	101
	Aluminum	16	1,92	76
G - Type Rail / MR 32	Steel	35	4,2	-
	Copper	120	14,4	269
	Aluminum	70	8,4	192
MR 35 x 7,5	Steel	16	1,92	-
	Copper	50	6	150
	Aluminum	30	4,2	125
MR 35 x 15	Steel	50	6	-
	Copper	150	18	309
	Aluminum	95	11,4	232

Pen Conductor : The conductor that functions as both protection and neutral conductor. Steel busbar or Steel Rails cannot be used as PEN conductor.

Torque Values of Fastening

In screw type terminals torque values are important. If the connector is tightened less than the required value, resistance and heating would appear. On the contrary, when extreme force is applied during fastening, the molecular structure of the metal would distort and heating could appear in conclusion. Therefore, if the nominal torque values obtained by IEC are applied, the probable risks would be eliminated.

Torque values based on IEC 60947-1 Table 4;	Torque (Nm)		
	I	II	III
Screw Width Values (mm)			
Screws with Widths smaller than 1.6 mm	0,005	0,1	0,1
1,6 - 2	0,1	0,2	0,2
2 - 2,8	0,2	0,4	0,4
2,8 - 3	0,25	0,5	0,5
3 - 3,2	0,3	0,6	0,6
3,2 - 3,6	0,4	0,8	0,8
3,6 - 4,1	0,7	1,2	1,2
4,1 - 4,7	0,8	1,8	1,8
4,4 - 5,3	1,2	2	2
5,3 - 6	2,5	2,5	3
6 - 8	-	3,5	6
8 - 10	-	4	10
10 - 12	-	-	14
12 - 15	-	-	19
15 - 20	-	-	25
20 - 24	-	-	36
Screws with Widths bigger than 24 mm	-	-	50

COLUMN I Applied to the headless screws fixing in the cavity and other screws which cannot fastened by screw-drivers.

COLUMN II Applied to all screws fastened by screw-drivers.

COLUMN III Applied to screws and nuts fastened by other devices.

Ref: IEC 60947-1/ IEC 60999-1

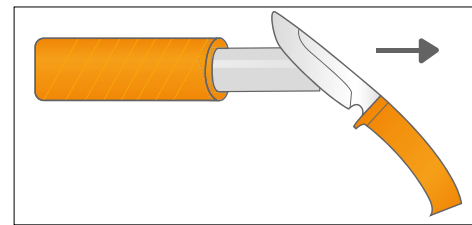
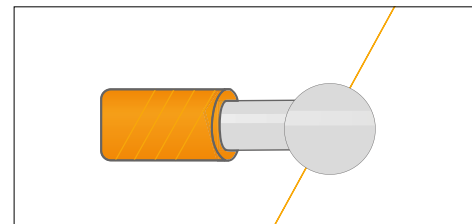
Klemsan apply security tests to its screw-type terminals with doubled values of IEC torque standards.

Precautions For Aluminium Cable Usage In Klemsan Terminal Blocks

- Precautions against oxidation should be taken while using aluminium cables.
- There are several special products against oxidation, however the most practical and easy solution is using vaseline.
- Application of vaseline on the stripped parts of the aluminium cables that contacting the terminal block, will prevent oxidation.

Otherwise, the bare cable ends contacts the air and will start a rapid oxidation in the terminal block. Voltage values will drop consequently

- If cutting the oxidized cable end is not needed, the oxide layer can be cleaned manually with a knife carefully to not affect the cable cross-section.
- Vaseline is applied to the surfaces after the cleaning process.



- Aluminium cables are not flexible as copper cables, therefore they are mostly in solid and stranded form.
- While using aluminium cables, especially the stranded types, conductive materials should be carefully watched against braking and cracking.

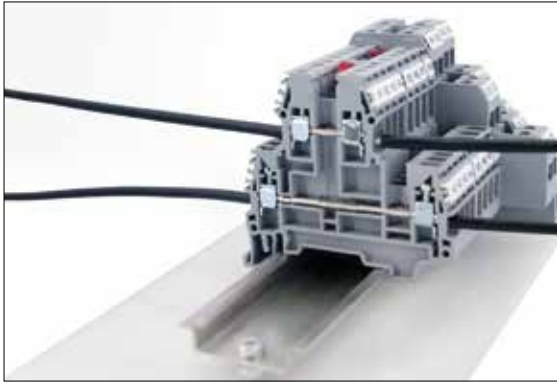
Otherwise, the cross-section of the cable will decrease and terminal temperatures will increase as a result.

Conductivity rates of aluminium cables are lower than copper cables.

- Rated current values indicated in the terminal block data sheets should **not** be considered while using aluminium cables.

While using aluminium cables, the current rate indicated for copper cables should be multiplied by 0.7, the result will give the maximum current value which should not be exceeded unless otherwise indicated.

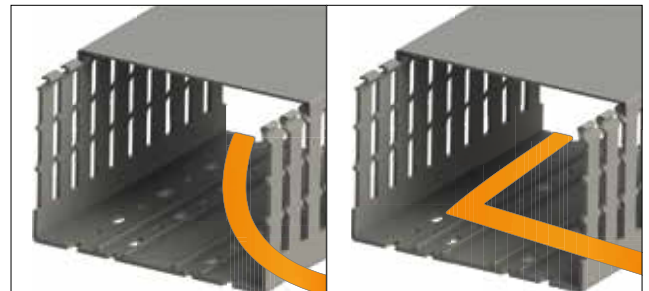




- Maximum torque values indicated in the technical specifications should not be exceeded while using aluminium cables.
- Users should check the tightening process every other day according to the torque values indicated in terminal block data sheets and make sure that the screws are correctly tightened in the given maximum torque value.
- Aluminium cables get softer in time and this cause the connection loose. Connections should be checked regularly as indicated above
- Stripping lengths indicated in the terminal block data sheets are quite important especially for aluminium cable connections.
- Aluminium cables without insulation can easily become oxidized.

- Narrow curves or corners should be avoided while using aluminium cables within panels and wiring ducts, wiring ducts corners should be as wide as possible.

Otherwise, risks of cable braking, bending or cracking possibilities will increase.



↑
CORRECT ANGLE

↑
WRONG ANGLE



- It is recommended to use Al/Cu type insulated cable terminals with stranded aluminium cables.

Terminal Suffix Descriptions

Suffix	Explanations
A	Disconnect (Knife Edge)
AN	Angled
ASK B	Busbar (Glass Fuse Size) Disconnection
AVK B	Busbar Power Terminals
AVK PB	Panel Surface Mounting Terminals
C&CC	2 Input 2 Outputs
CPB	Fork Type Terminals
CS	Cross Connection (for StoP and SRD series)
CTP	Clamp to Pin
D	Diode
D	Direct-Feed through (for WGO types)
E&CE	1 Input 2 Outputs
F	Floor
FB	Socket type busbar disconnection
K	Inner Bridge
LD	LED+Diode
M	Mini
MB	Hinge type busbar disconnection
N	New
NM	New Material, *V0 flammability rating*
PB	Ring Type Terminals
PIK	Two Floor Screw Type Terminals
PTP	Pin to Pin
PUK	Three Floor Screw Type Terminals
PV	Photovoltaic
R&RD	Redesign
S	Glass Fuse Type (empty)
S	Sensor (PUK 3S-3SLD,PYK 3S-3SLD,YBK 3S-3SLD)
SC-PTR	Female-Rail Mounted
SC-PTS	Female-Panel Surface Mounted
SG-PT	Male
SKT	Socket
SKTD	Socket with diode
SRD	Spring Redesign
StoP	Spring to Pin
T&TK	Earth Terminals

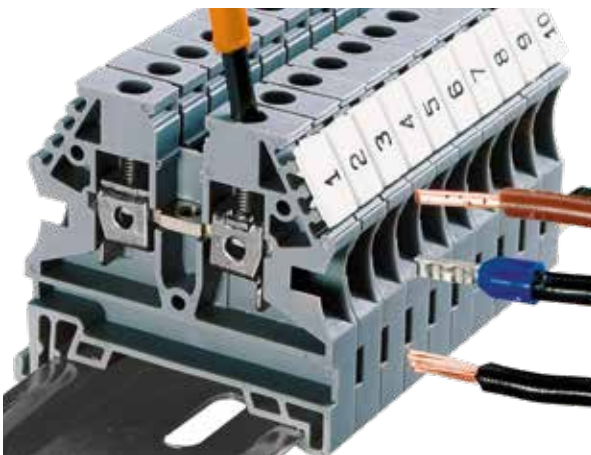
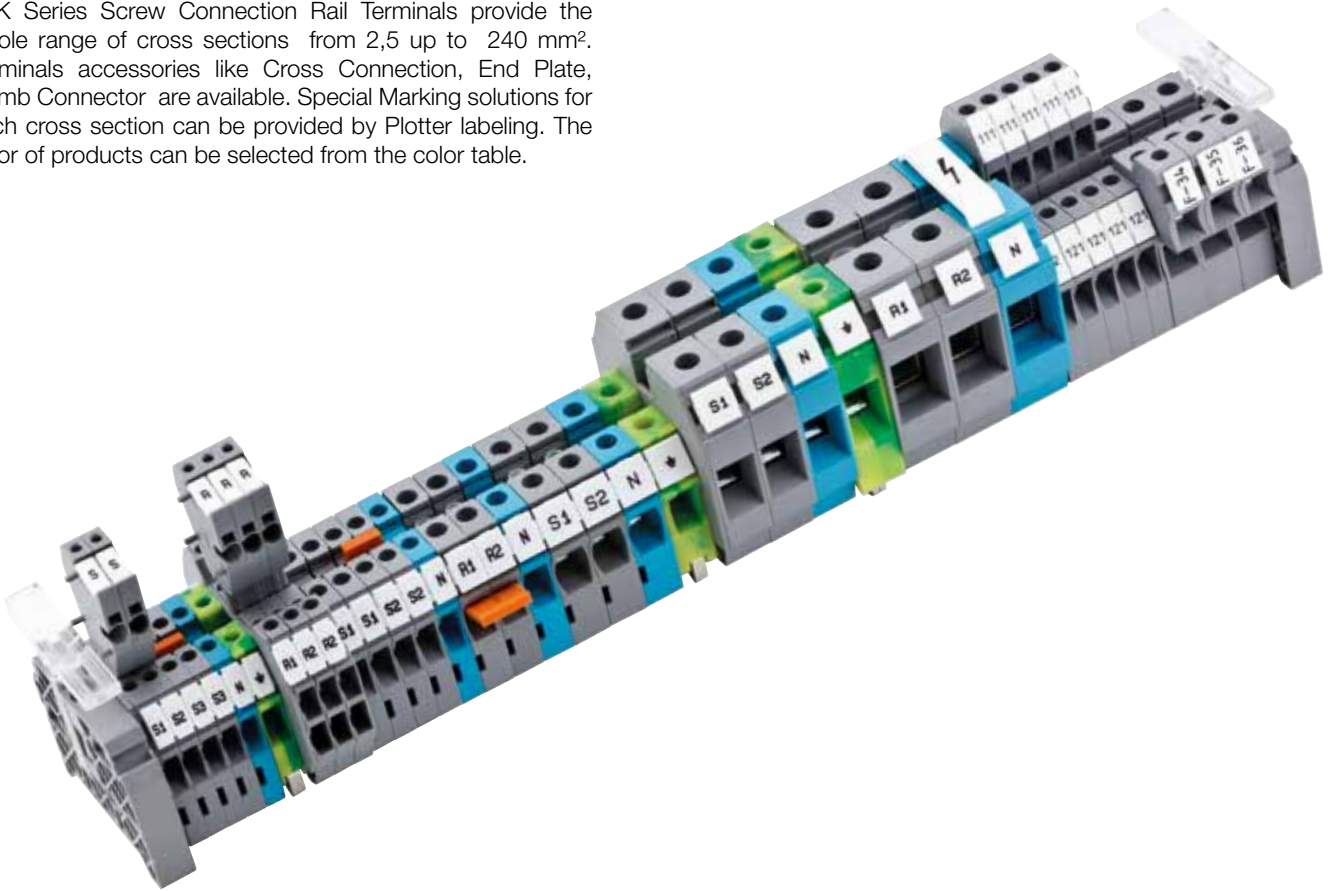
Klemsan Screw Type V0 Product

Order No	Type	Color	Pcs.
SCREW TYPE TERMINALS			
309 001	AVK 2.5/NM	Blue	100
309 009	AVK 2.5/NM	Grey	100
309 159	AVK 2.5 RD/NM	Grey	100
309 011	AVK 4/NM	Blue	100
309 019	AVK 4/NM	Grey	100
309 169	AVK 4 RD/NM	Grey	100
309 021	AVK 6/NM	Blue	100
309 029	AVK 6/NM	Grey	100
309 031	AVK 10/NM	Blue	100
309 039	AVK 10/NM	Grey	100
309 051	AVK 16RD/NM	Blue	50
309 059	AVK 16RD/NM	Grey	50
309 071	AVK 35 RD/NM	Blue	40
309 079	AVK 35 RD/NM	Grey	40
309 089	AVK 35 RDS/NM	Grey	50
309 099	AVK 351 RDS/NM	Grey	50
309 149	AVK 240/NM	Grey	4
309 179	AVK 4A/NM	Grey	50
SCREW TYPE EARTH TERMINALS			
341 010	AVK 2.5-4TK/NM	Yellow / Green	50
341 020	AVK 6TK/NM	Yellow / Green	25
341 030	AVK 10TK/NM	Yellow / Green	25
341 040	AVK 16TRD/NM	Yellow / Green	50
341 050	AVK 35T RD/NM	Yellow / Green	40
341 060	AVK 35 TRDS/NM	Yellow / Green	25
341 090	AVK 2,5T RD/NM	Yellow / Green	50
341 100	AVK 4T RD/NM	Yellow / Green	50
DOUBLE DECK TERMINALS			
309 189	PIK 2,5N/NM	Grey	20
309 199	PIK 2,5NK/NM	Grey	20
309 229	PIK 2,5 NLD/NM 24 VAC	Grey	20
309 239	PIK 2,5 NLD/NM 24 VDC	Grey	20
309 249	PIK 2,5 NLD/NM 48 VAC	Grey	20
309 259	PIK 2,5 NLD/NM 48 VDC	Grey	20
309 269	PIK 2,5 NLD/NM 110 VAC	Grey	20
309 279	PIK 2,5 NLD/NM 110 VDC	Grey	20
309 289	PIK 2,5 NLD/NM 220 VAC	Grey	20
309 299	PIK 2,5 NLD/NM 220 VDC	Grey	20
309 309	PIK 4N/NM	Grey	100
309 319	PIK 4NK/NM	Grey	20
309 349	PIK 4NLD/NM 24 VAC	Grey	20
309 359	PIK 4NLD/NM 24 VDC	Grey	20
309 369	PIK 4NLD/NM 48 VAC	Grey	20
309 379	PIK 4NLD/NM 48 VDC	Grey	20

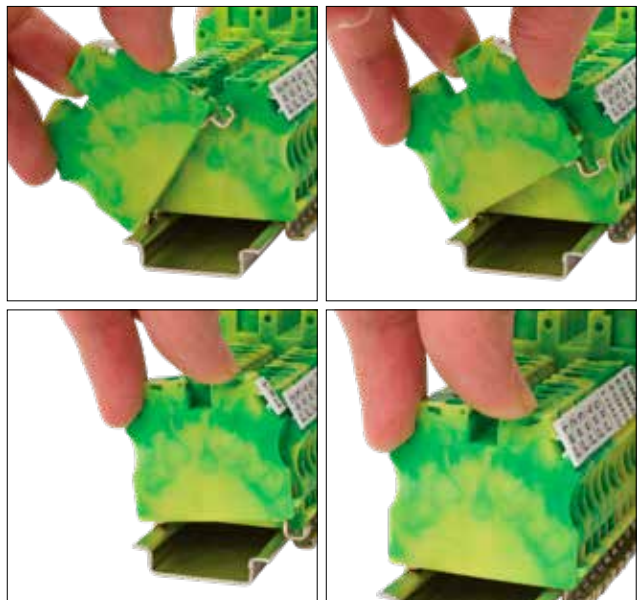
Order No	Type	Color	Pcs.
309 389	PIK 4NLD/NM 110 VAC	Grey	20
309 399	PIK 4NLD/NM 110 VDC	Grey	20
309 409	PIK 4NLD/NM 220 VAC	Grey	20
309 419	PIK 4NLD/NM 220 VDC	Grey	20
309 429	PIK 2,5RD/NM	Grey	100
309 439	PIK 2,5RDK/NM	Grey	100
309 449	PIK 4RD/NM	Grey	100
309 459	PIK 4RDK/NM	Grey	20
315 049	PIK 2,5ND-A/NM	Grey	20
315 059	PIK 2,5ND-B/NM	Grey	20
315 069	PIK 4ND-A/NM	Grey	20
315 079	PIK 4ND-A/NM	Grey	20
MULTILEVEL TERMINALS			
309 469	PUK 2T/NM	Grey	2 0
309 479	PUK 3/NM	Grey	20
309 489	PUK 3T/NM	Grey	20
309 499	PUK 3S/NM	Grey	20
309 509	PUK 3SLD/NM 24 VDC NPN	Grey	20
309 519	PUK 3SLD/NM 24 VDC PNP	Grey	20
FUSE TERMINALS			
315 009	ASK 5/NM	Grey	50
315 019	ASK 5LD/NM 24V (Nonpolarity)	Grey	50
315 029	ASK 5LD/NM 110V (Nonpolarity)	Grey	50
315 039	ASK 5LD/NM 220V (Nonpolarity)	Grey	50
TEST AND DISCONNECT TERMINALS			
309 529	WGO 3/NM Without Socket	Grey	50
309 539	WGO 3/NM One Socket	Grey	50
309 549	WGO 3/NM Double Socket	Grey	50
309 559	WGO 3/NM One Test Socket	Grey	50
309 569	WGO 3/NM Double Test Socket	Grey	50
309 579	WGO 4/NM Without Socket	Grey	50
309 589	WGO 4/NM	Grey	50
309 609	WGO 6/NM	Grey	50
309 619	WGO D6/NM	Grey	50
308 069	WGO-PB6/NM	Grey	50
308 079	WGO-PBD6/NM	Grey	25
PB SERIES TERMINALS			
308 009	PB 6/NM	Grey	40
308 019	PB 6K/NM	Grey	40
308 029	PB 2.5/NM	Grey	45
308 039	PB 2.5K/NM	Grey	45
308 049	PB 25_M5/NM	Grey	10
308 059	PB 25_M6/NM	Grey	10
337 000	PB 6T/NM	Yellow / Green	40
337 010	PB 2.5T/NM	Yellow / Green	45

AVK Series Terminals

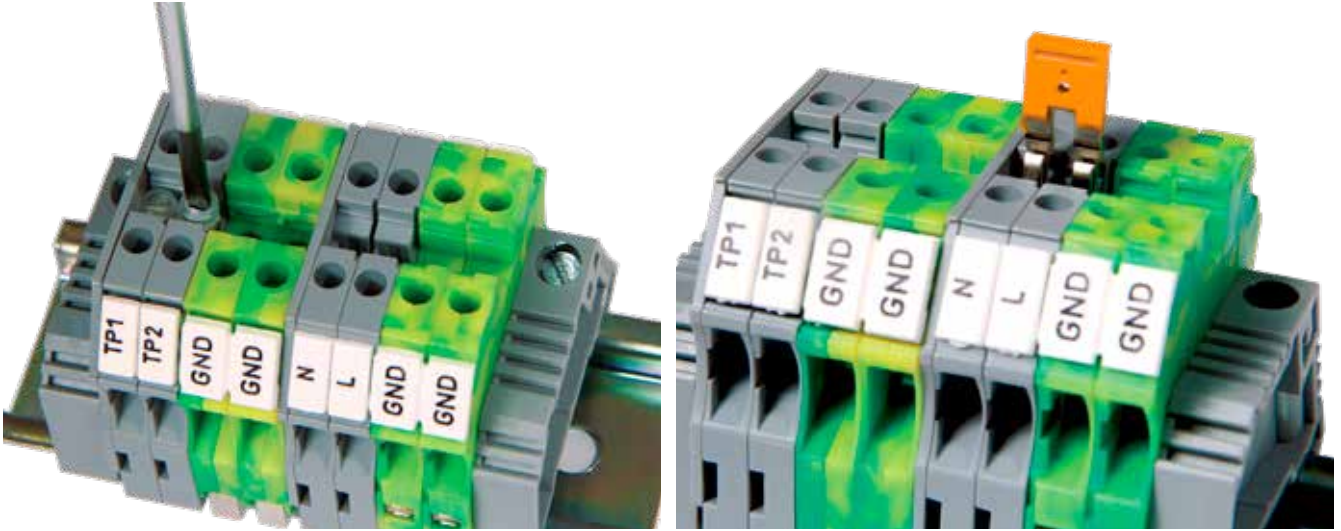
AVK Series Screw Connection Rail Terminals provide the whole range of cross sections from 2,5 up to 240 mm². Terminals accessories like Cross Connection, End Plate, Comb Connector are available. Special Marking solutions for each cross section can be provided by Plotter labeling. The color of products can be selected from the color table.



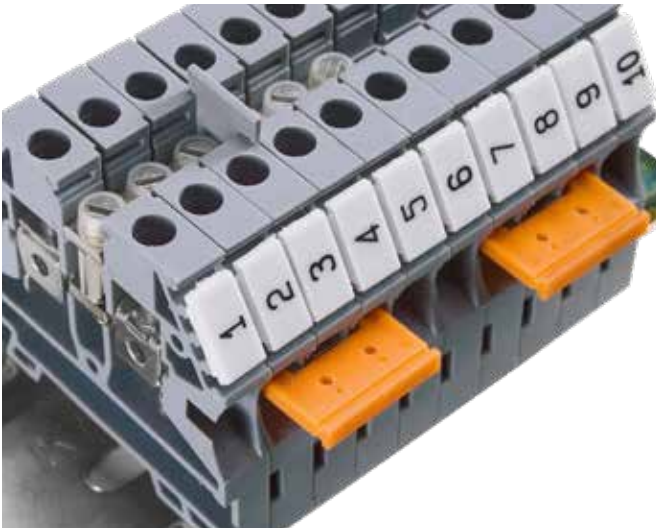
You can safely connect solid and stranded cables with ferrules and also you can use stranded cables without ferrule.



AVK RD series earth terminal blocks provide easy and screwless installation on the rail.



Thanks to push-in type jumpers, AVK RD series 2.5 and 4 mm² cross section feed-through terminal blocks can be cross connected easier and faster way. AVK 2.5 R and AVK 4 R terminals blocks are suitable for double line push-in cross connection, also suitable for strip label.



AVK 2.5 - 4,0 - 6,0 - 10,0 mm² range has the same height and length so that, one type of end plate and partition plate can be used.

You can also use comb type cross connection with AVK series terminal blocks in 2.5 - 4 - 6 - 10 mm² cross sections. All AVK series terminal blocks have special marking solutions for your projects.

FEATURE OF AVK EARTH TERMINAL BLOCKS

Screw type earth terminal blocks can meet all important IEC requirements, such as low contact resistance, corrosion-resistant of connection points, secure screws etc. between 2.5 mm² - 50 mm² cross section options.

Yellow-green (mixed commando) body color is easily distinguishable from other terminal blocks. They do not cause visual problems when they are mounted side by side on the rail, because they are equal in size with the feed-through terminal block in the same cross section.

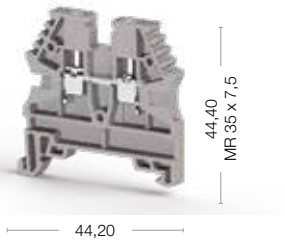
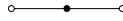
EASY RAIL MOUNT AND ASSEMBLY

AVK RD series earth terminal blocks provide easy and screwless installation on the rail. For this reason, they are fast and economical, compared to standard screw type earth terminal blocks.

AVK Series Terminals

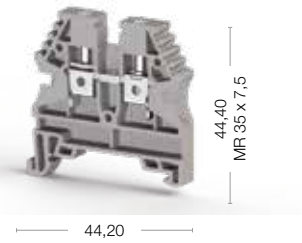
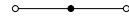
AVK 2,5

Width: 5 mm



AVK 4

Width: 6 mm



Cat No:

Cat No:



304 120RP
304 129RP

304 130RP
304 139RP

Electrical Ratings
CE (EN 60947-7-1)
UL - CuLus
VDE (IEC 60947-7-1)
CSA
ATEX

Voltage, V ~	Current, A	Cross-Section
750	24	2,5 mm ²
600	20	AWG 26-12
750	24	2,5 mm ²
600	20	AWG 28-12
630	20	0,5-2,5 mm ²

Voltage, V ~	Current, A	Cross-Section
750	32	4 mm ²
600	30	AWG 26-10
750	32	4 mm ²
600	30	AWG 28-10
630	27	0,5-4 mm ²

Connection Data
Conductor cross section solid (min-max.)
Conductor cross section stranded (min-max.)
2 conductors with same cross section, stranded, TWIN ferrules with plastic sleeve, (min-max.)
AWG Conductor
Insulation Stripping Length (min.-max.)
Torque (min-max.)
Screwdriver

0,2-4 mm ²
0,2-4 mm ²
0,5-1,5 mm ²
AWG 24-12
9-10 mm
0,4-0,6 Nm
IKT 3 (0,6x3,5)

0,2-6 mm ²
0,2-6 mm ²
0,5-2,5 mm ²
AWG 24-10
9-10 mm
0,5-0,8 Nm
IKT 3 (0,6x3,5)

End Plate - Disconnect Plate

Type	Order No	Qty.
NPP/AVK 2,5-10	444 120	100
APP/AVK 2,5-10	462 120	25

Type	Order No	Qty.
NPP/AVK 2,5-10	444 120	100
APP/AVK 2,5-10	462 120	25

Cross Connection

Type	Order No	Qty.
UK 2,5/2	474 122	25
UK 2,5/3	474 123	20
UK 2,5/4	474 124	15
UK 2,5/10	474 129	5
UK 2,5/50	474 210	20

Type	Order No	Qty.
UK 4/2	474 132	25
UK 4/3	474 133	20
UK 4/4	474 134	15
UK 4/10	474 139	5
UK 4/20	474 180	5
UK 4/50	474 190	5

Comb Connector

Type	Order No	Qty.
TKO 2,5/2	476 262	25
TKO 2,5/3	476 263	20
TKO 2,5/4	476 264	15
TKO 2,5/10	476 269	5

Type	Order No	Qty.
TKO 4/2	476 273	25
TKO 4/3	476 273	20
TKO 4/4	476 274	15
TKO 4/10	476 279	5

Technical Data
Rated Impulse Voltage / Pollution severity
Insulation material group / Gauge pin code according to IEC 60947-1
Protection class / Protection conductor type
Marking Tags (Dekafix)
See pages 326-333 for a list of Dekafix

8/3
1/A3
IP 20 / -
D-NS 5x10, DB 10/5, DG 10/5, DG 10/5T

8/3
1/A4
IP 20 / -
D-NS 6x10, DB 10/6, DG 10/6, DG 10/6T

Package Quantity
100 pcs.

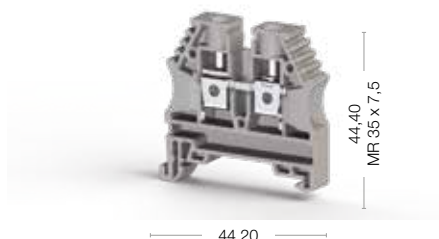
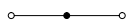
100 pcs.

100 pcs.

Color							
Color code is the last digit of the order number							
Blue	Green	Yellow	Red	Black	White	Orange	Brown
1	2	3	4	5	6	7	8

AVK 6

Width: 8 mm

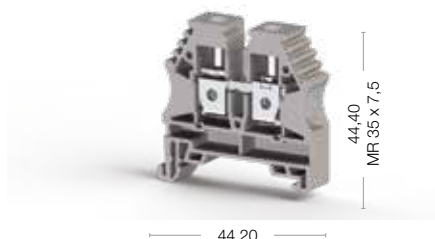


44,20

44,40
MR 35 x 7,5

AVK 10

Width: 10 mm



44,20

44,40
MR 35 x 7,5

AVK 16

Width: 12 mm



51,00

55,40
MR 35 x 7,5

Cat No:

- 304 140RP
- 304 149RP

Voltage, V ~	Current, A	Cross-Section
630	41	6 mm ²
600	50	AWG 26-8
630	41	6 mm ²
600	40	AWG 28-8
630	36	0,5-6 mm ²

0,2-10 mm ²
0,2-10 mm ²
0,5-4 mm ²
AWG 24-8
10-12 mm
0,8-1,2 Nm
IKT 4 (0,8x4)

Type	Order No	Qty.
NPP/AVK 2,5-10	444 120	100
APP/AVK 2,5-10	462 120	25

Type	Order No	Qty.
UK 6/2	474 142	25
UK 6/3	474 143	20
UK 6/4	474 144	15
UK 6/10	474 149	5

Type	Order No	Qty.
TKO 6/2	476 282	25
TKO 6/3	476 283	20
TKO 6/4	476 284	15
TKO 6/10	476 289	5

8/3
1/B5
IP 20 / -
D-NS 8x10, DG 10/8

100 pcs.

Cat No:

- 304 150RP
- 304 159RP

Voltage, V ~	Current, A	Cross-Section
630	57	10 mm ²
600	65	AWG 16-6
630	57	10 mm ²
600	65	AWG 16-6
630	50	1,5-10 mm ²

0,5-16 mm ²
0,5-16 mm ²
0,5-6 mm ²
AWG 20-6
10-12 mm
1,2-1,8 Nm
IKT 4 (0,8x4)

Type	Order No	Qty.
NPP/AVK 2,5-10	444 120	100
APP/AVK 2,5-10	462 120	25

Type	Order No	Qty.
UK 10/2	474 152	25
UK 10/3	474 153	20
UK 10/4	474 154	15
UK 10/10	474 159	5

Type	Order No	Qty.
TKO 10/2	476 292	25
TKO 10/3	476 293	20
TKO 10/4	476 294	15
TKO 10/10	476 299	5

8/3
1/B6
IP 20 / -
D-NS 10x10, DG 10/10

100 pcs.

Cat No:

- 304 160
- 304 169

Voltage, V ~	Current, A	Cross-Section
750	76	16 mm ²
600	85	AWG 12-4
750	76	16 mm ²
630	63	2,5-16 mm ²

2,5-25 mm ²
4-25 mm ²
1,5-10 mm ²
AWG 14-4
12-14 mm
1,2-2,0 Nm
IKT 5 (1,0x5,5)

Type	Order No	Qty.
NPP/AVK 16	444 160	100
APP/AVK 16	462 160	25

Type	Order No	Qty.
UK 16/2	474 162	25
UK 16/3	474 163	20
UK 16/4	474 164	15
UK 16/10	474 169	5

8/3
1/B7
IP 20 / -
D-NS 10x10, D-NS 12x10, DG 10x10

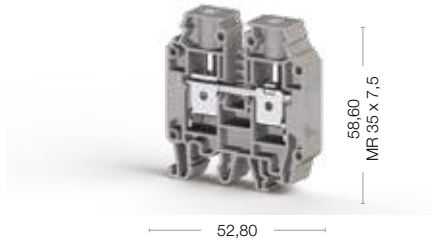
50 pcs.

Color							
Color code is the last digit of the order number							
Blue	Green	Yellow	Red	Black	White	Orange	Brown
1	2	3	4	5	6	7	8

AVK Series Terminals

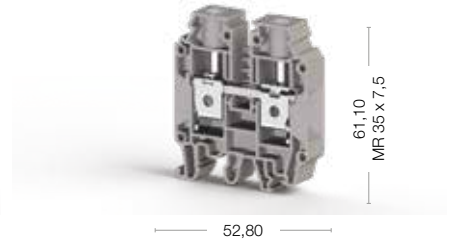
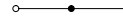
AVK 16 RD

Width: 12 mm



AVK 25 RD

Width: 12 mm



Cat No:

- 304 240
- 304 249

Cat No:

- 304 290
- 304 299



Electrical Ratings
CE (EN 60947-7-1)
UL - CuLus
VDE (IEC 60947-7-1)
CSA
ATEX

Voltage, V ~	Current, A	Cross-Section
1000	76	16 mm ²
600	80	AWG 12-4
750	76	16 mm ²
600	80	AWG 12-4
630	67	1,5-16 mm ²

Voltage, V ~	Current, A	Cross-Section
1000	101	25 mm ²
600	100	AWG 12-2
630	89	1,5-35 mm ²

Connection Data
Conductor cross section solid (min-max.)
Conductor cross section stranded (min-max.)
2 conductors with same cross section, stranded, TWIN ferrules with plastic sleeve, (min-max.)
AWG Conductor
Insulation Stripping Length (min.-max.)
Torque (min-max.)
Screwdriver

1,5-25 mm ²
1,5-25 mm ²
0,75-10 mm ²
AWG 16-4
12-14 mm
1,2-2,0 Nm
IKT 5 (1,0x5,5)

1,5-35 mm ²
1,5-35 mm ²
1,5-10 mm ²
AWG 16-2
12-14 mm
2,0-3,0 Nm
IKT 5 (1,0x5,5)



Type	Order No	Qty.
NPP/AVK 16 RD	444 170	100
APP/AVK 16 RD	462 170	25

Type	Order No	Qty.
NPP/AVK 25 RD	450 250	50



Type	Order No	Qty.
UK 16/2	474 162	25
UK 16/3	474 163	20
UK 16/4	474 164	15
UK 16/10	474 169	5

Type	Order No	Qty.
UK 16/2	474 162	25
UK 16/3	474 163	20
UK 16/4	474 164	15
UK 16/10	474 169	5

Technical Data
Rated Impulse Voltage / Pollution severity
Insulation material group / Gauge pin code according to IEC 60947-1
Protection class / Protection conductor type
Marking Tags (Dekafix)
See pages 326-333 for a list of Dekafix

8/3
1/B7
IP 20 / -
D-NS 10x10, D-NS 12x10, DG 10x10

8/3
1/B8
IP 20 / -
D-NS 10x10, D-NS 12x10, DG 10x10

Package Quantity
50 pcs.

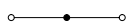
50 pcs.

50 pcs.

Color							
Color code is the last digit of the order number							
Blue	Green	Yellow	Red	Black	White	Orange	Brown
1	2	3	4	5	6	7	8

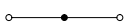
AVK 35 RDS

Width: 16 mm



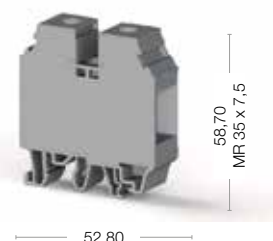
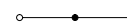
AVK 35 IRDS

Width: 16 mm



AVK 35 RD

Width: 16 mm



Cat No:

- 304 580
- 304 589

Voltage, V ~	Current, A	Cross-Section
1000	125	35 mm ²
600	115	AWG 10-2
800	111	6-50 mm ²

6-50 mm ²
6-35 mm ²
4-16 mm ²
AWG 10-2
16-18 mm
4,0-6,0 Nm
IKT 6 (1,2x6,5)

Type	Order No	Qty.

Type	Order No	Qty.
UK 35/2 RDS	480 212	25
UK 35/3 RDS	480 213	20
UK 35/4 RDS	480 214	15
UK 35/10 RDS	480 219	5

8/3
1/B9
IP 20 / -
D-NS 10x10, D-NS 14x10, DG 10/10, D-NS 12x10

50 pcs.

* Higher torque value compare to AVK 35 RD

Cat No:

- 304 590
- 304 599

Voltage, V ~	Current, A	Cross-Section
1000	125	35 mm ²
600	115	AWG 10-2
800	111	6-50 mm ²

6-50 mm ²
6-35 mm ²
4-16 mm ²
AWG 10-2
16-18 mm
4,0-6,0 Nm
S 5 (DIN6911)

Type	Order No	Qty.

Type	Order No	Qty.
UK 35/2 RDS	480 212	25
UK 35/3 RDS	480 213	20
UK 35/4 RDS	480 214	15
UK 35/10 RDS	480 219	5

8/3
1/B9
IP 20 / -
D-NS 10x10, D-NS 14x10, DG 10/10, D-NS 12x10

50 pcs.

* Inbus screw

Cat No:

- 304 250
- 304 259

Voltage, V ~	Current, A	Cross-Section
1000	125	35 mm ²
600	115	AWG 12-2
750	125	
600	115	AWG 12-2
630	111	1,5-35 mm ²

1,5-50 mm ²
1,5-50 mm ²
1,5-16 mm ²
AWG 16-2
16-18 mm
2,5-3,5 Nm
IKT 6 (1,2x6,5)

Type	Order No	Qty.
APP/AVK 35 RD	462 180	10

Type	Order No	Qty.
UK 35/2	474 172	25
UK 35/3	474 173	20
UK 35/4	474 174	15
UK 35/10	474 179	5

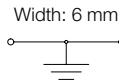
8/3
1/B9
IP 20 / -
D-NS 10x10, D-NS 14x10, DG 10/10, D-NS 12x10

40 pcs.

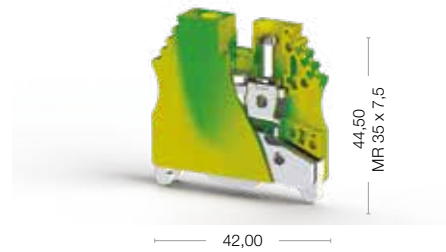
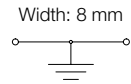
Color							
Color code is the last digit of the order number							
Blue	Green	Yellow	Red	Black	White	Orange	Brown
1	2	3	4	5	6	7	8

AVK T Series Earth Terminals


AVK 2,5 / 4 TK




AVK 6 TK



Cat No:

 334 450

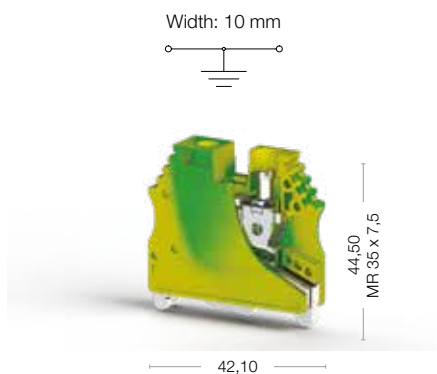
Cat No:

 334 460



Electrical Ratings	Voltage, V ~	Current, A	Cross-Section	Voltage, V ~	Current, A	Cross-Section
CE (EN 60947-7-2)			2,5-4 mm ²			6 mm ²
UL - CuLus			AWG 26-10			AWG 26-8
VDE (IEC 60947-7-2)						
CSA						
ATEX			0,5-6 mm ²			0,5-6 mm ²
Connection Data						
Conductor cross section solid (min-max.)	0,2-6 mm ²		0,2-10 mm ²		0,2-10 mm ²	
Conductor cross section stranded (min-max.)	0,2-6 mm ²		0,2-10 mm ²		0,2-10 mm ²	
2 conductors with same cross section, stranded, TWIN ferrules with plastic sleeve, (min-max.)	0,5-2,5 mm ²		0,5-4 mm ²		0,5-4 mm ²	
AWG Conductor	AWG 24-10		AWG 24-8		AWG 24-8	
Insulation Stripping Length (min.-max.)	9-10 mm		10-12 mm		10-12 mm	
Torque (min-max.)	0,5-0,8 Nm		0,8-1,2 Nm		0,8-1,2 Nm	
Rail Tightening torque, (min-max.)	0,4-0,6 Nm		0,6-0,8 Nm		0,6-0,8 Nm	
Screwdriver	IKT 3 (0,6x3,5)		IKT 4 (0,8x4)		IKT 4 (0,8x4)	
Technical Data						
Rated Impulse Voltage / Pollution severity	8/3		8/3		8/3	
Insulation material group / Gauge pin code according to IEC 60947-1	1/A4		1/B5		1/B5	
Protection class / Protection conductor type	IP 20 / PE		IP 20 / PE		IP 20 / PE	
Marking Tags (Dekafix)						
See pages 326-333 for a list of Dekafix	D-NS 6x10, DB 10/6, DG 10/6, DG 10/6T		D-NS 8x10, DG 10/8		D-NS 8x10, DG 10/8	
Package Quantity						
	50 pcs.		25 pcs.		25 pcs.	

AVK 10 TK



Cat No:

334 470

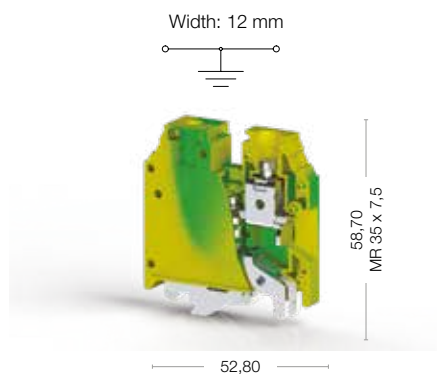
Voltage, V ~	Current, A	Cross-Section
		10 mm ²
		AWG 16-6
		1,5-16 mm ²

0,5-16 mm ²		
0,5-16 mm ²		
0,5-6 mm ²		
AWG 20-6		
10-12 mm		
1,2-1,5 Nm		
0,8-1,0 Nm		
IKT 4 (1,2x6,5)		

8/3		
1/B6		
IP 20 / PE		
D-NS 10x10, DG 10/10		

25 pcs.

AVK 16 T RD



Cat No:

334 200

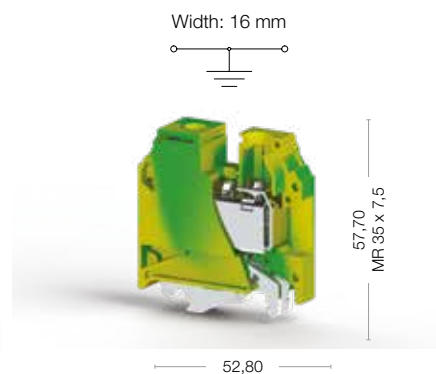
Voltage, V ~	Current, A	Cross-Section
		16 mm ²
		AWG 12-4
		16 mm ²
		AWG 12-4
		1,5-16 mm ²

1,5-25 mm ²		
1,5-25 mm ²		
0,75-10 mm ²		
AWG 16-4		
12-14 mm		
1,2-2,0 Nm		
1,0-1,2 Nm		
IKT 5 (1,2x6,5)		

8/3		
1/B7		
IP 20 / PE		
D-NS 10x10, D-NS 12x10, DG 10/10		

50 pcs.

AVK 35 T RD



Cat No:

334 210

Voltage, V ~	Current, A	Cross-Section
		35 mm ²
		AWG 12-2
		35 mm ²
		AWG 12-2
		1,5-35 mm ²

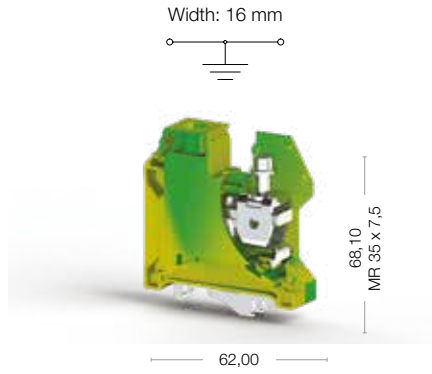
1,5-50 mm ²		
1,5-50 mm ²		
1,5-16 mm ²		
AWG 16-2		
16-18 mm		
2,5-3,5 Nm		
1,2-1,5 Nm		
IKT 6 (1,2x6,5)		

8/3		
1/B9		
IP 20 / PE		
D-NS 10x10, D-NS 14x10, DG 10/10		

40 pcs.

AVK T Series Earth Terminals

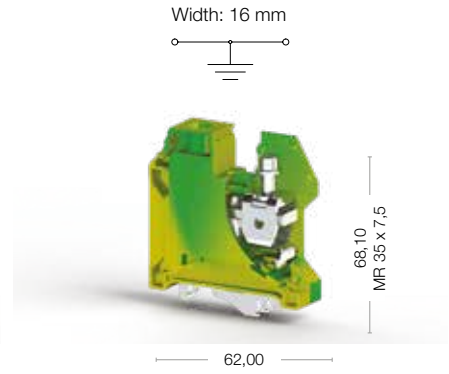
AVK 35 T RDS



Cat No:

334 240

AVK 35 T IRDS



Cat No:

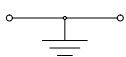
334 250



Electrical Ratings	Voltage, V ~	Current, A	Cross-Section	Voltage, V ~	Current, A	Cross-Section
CE (EN 60947-7-2)			35 mm ²			35 mm ²
UL - CuLus			AWG 10-2			AWG 10-2
VDE (IEC 60947-7-2)						
CSA						
ATEX			6-50 mm ²			6-50 mm ²
Connection Data						
Conductor cross section solid (min-max.)			6-50 mm ²			6-50 mm ²
Conductor cross section stranded (min-max.)			6-35 mm ²			6-35 mm ²
2 conductors with same cross section, stranded, TWIN ferrules with plastic sleeve, (min-max.)			4-16 mm ²			4-16 mm ²
AWG Conductor			AWG 10-2			AWG 10-2
Insulation Stripping Length (min.-max.)			16-18 mm			16-18 mm
Torque (min-max.)			4,0-6,0 Nm			4,0-6,0 Nm
Rail Tightening torque, (min-max.)			1,2-1,5 Nm			1,2-1,5 Nm
Screwdriver			IKT 6 (1,2x6,5)			S 5 (DIN6911)
Technical Data						
Rated Impulse Voltage / Pollution severity			8/3			8/3
Insulation material group / Gauge pin code according to IEC 60947-1			1/B9			1/B9
Protection class / Protection conductor type			IP 20 / PE			IP 20 / PE
Marking Tags (Dekafix)						
See pages 326-333 for a list of Dekafix			D-NS 10x10, D-NS 14x10, DG 10/10			D-NS 10x10, D-NS 14x10, DG 10/10
Package Quantity						
			25 pcs.			25 pcs.

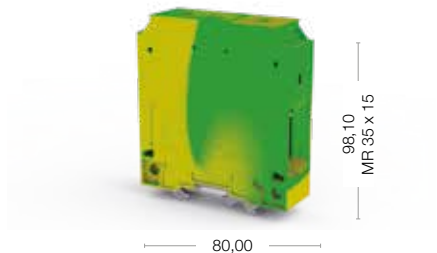
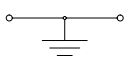
AVK 50 T

Width: 20 mm



AVK 70-95 T

Width: 25 mm



Cat No:

334 190

Voltage, V ~	Current, A	Cross-Section
		50 mm ²
		AWG 6-1/0
800		16-50 mm ²

16-70 mm ²
25-50 mm ²
10-16 mm ²
AWG 10-1/0
22-24 mm
6,0-10 Nm
1,5-2,0 Nm
S 5 (DIN6911)

8/3
1/B10
IP 20 / PE
KOIP SW, SLF-P1 W

10 pcs.

Cat No:

336 660

Voltage, V ~	Current, A	Cross-Section
		95 mm ²

25-95 mm ²
35-95 mm ²
16-35 mm ²
AWG 4-3/0
26-28 mm
10-15 Nm
3,0-6,0 Nm
S 6 (DIN6911)

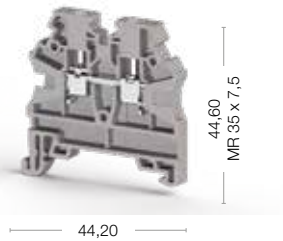
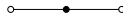
8/3
1/B10
IP 20 / PE
KOIP SM W, D-NS 20x9, SLF-P1 W

6 pcs.

AVK RD Series Terminals

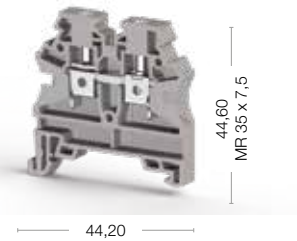
AVK 2,5 RD

Width: 5 mm



AVK 4 RD

Width: 6 mm



Cat No:

Cat No:

304 200RP
304 209RP

304 210RP
304 219RP



Electrical Ratings
CE (EN 60947-7-1)
UL - CuLus
VDE (IEC 60947-7-1)
CSA
ATEX

Voltage, V ~	Current, A	Cross-Section
750	24	2,5 mm ²
600	20	AWG 26-12
750	24	2,5 mm ²
630	20	0,5-2,5 mm ²

Voltage, V ~	Current, A	Cross-Section
750	32	4 mm ²
600	30	AWG 26-10
750	32	4 mm ²
630	25	0,5-4 mm ²

Connection Data
Conductor cross section solid (min-max.)
Conductor cross section stranded (min-max.)
2 conductors with same cross section, stranded, TWIN ferrules with plastic sleeve, (min-max.)
AWG Conductor
Insulation Stripping Length (min.-max.)
Torque (min-max.)
Screwdriver

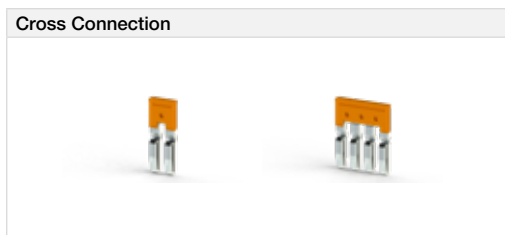
0,2-4 mm ²
0,2-4 mm ²
0,5-1,5 mm ²
AWG 24-12
9-10 mm
0,4-0,6 Nm
IKT 3 (0,6x3,5)

0,2-6 mm ²
0,2-6 mm ²
0,5-2,5 mm ²
AWG 24-10
9-10 mm
0,5-0,8 Nm
IKT 3 (0,6x3,5)



Type	Order No	Qty.
NPP/AVK 2,5-10	444 120	100
APP/AVK 2,5-10	462 120	25

Type	Order No	Qty.
NPP/AVK 2,5-10	444 120	100
APP/AVK 2,5-10	462 120	25



Type	Order No	Qty.
UK 2,5/2	476 222	25
UK 2,5/3	476 223	20
UK 2,5/4	476 224	15
UK 2,5/10	476 229	5
UK 2,5/32	474 270	10
UK 2,5/50	476 320	20

Type	Order No	Qty.
UK 4/2	476 232	25
UK 4/3	476 233	20
UK 4/4	476 234	15
UK 4/10	476 239	5
UK 4/50	476 330	20



Type	Order No	Qty.
TKO 2,5/2	476 262	25
TKO 2,5/3	476 263	20
TKO 2,5/4	476 264	15
TKO 2,5/10	476 269	5

Type	Order No	Qty.
TKO 4/2	476 272	25
TKO 4/3	476 273	20
TKO 4/4	476 274	15
TKO 4/10	476 279	5

Technical Data
Rated Impulse Voltage / Pollution severity
Insulation material group / Gauge pin code according to IEC 60947-1
Protection class / Protection conductor type
Marking Tags (Dekafix)
See pages 326-333 for a list of Dekafix

8/3
1/A3
IP 20 / -
DB 10/5, DG 10/5, DG 10/5T, D-NS 5x10

8/3
1/A4
IP 20 / -
D-NS 6x10, DB 10/6, DG 10/6, DG 10/6T

Package Quantity
100 pcs.

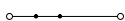
100 pcs.

100 pcs.

Color							
Color code is the last digit of the order number							
Blue	Green	Yellow	Red	Black	White	Orange	Brown
1	2	3	4	5	6	7	8

AVK 2,5 R

Width: 5 mm

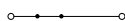


58,00

43,80
MR 35 x 7,5

AVK 4 R

Width: 6 mm



58,00

43,80
MR 35 x 7,5

Cat No:

- 304 409
- 304 400

Voltage, V ~	Current, A	Cross-Section
800	24	2,5 mm ²

0,2-4 mm ²
0,2-4 mm ²
0,5-1,5 mm ²
AWG 24-12
9-10 mm
0,4-0,6 Nm
IKT 3 (0,6x3,5)

Type	Order No	Qty.
NPP/AVK 2,5 R	450 330	25

Type	Order No	Qty.
UK 2,5/2	476 222	25
UK 2,5/3	476 223	20
UK 2,5/4	476 224	15
UK 2,5/10	476 229	5
UK 2,5/16	474 260	10
UK 2,5/20	474 200	10

8/3
1/A3
IP 20 / -
D-NS 5x10, DB 10/5, DG 10/5, DG 10/5T

50 pcs.

Cat No:

- 304 390
- 304 399

Voltage, V ~	Current, A	Cross-Section
800	32	4 mm ²
630	28	0,5-6 mm ²

0,2-6 mm ²
0,2-6 mm ²
0,5-2,5 mm ²
AWG 24-10
9-10 mm
0,5-0,8 Nm
IKT 3 (0,6x3,5)

Type	Order No	Qty.
NPP/AVK 4 R	450 330	25

Type	Order No	Qty.
UK 4/2	476 232	25
UK 4/3	476 233	20
UK 4/4	476 234	15
UK 4/10	476 239	5

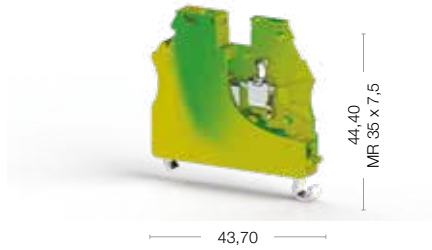
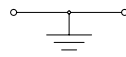
8/3
1/A4
IP 20 / -
D-NS 6x10, DB 10/6, DG 10/6, DG 10/6T

50 pcs.

AVK RD Series Earth Terminals

AVK 2,5 T RD

Width: 5,75 mm

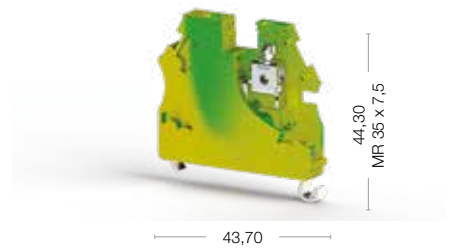
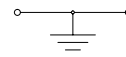


Cat No:

334 170

AVK 4 T RD

Width: 6,2 mm



Cat No:

334 180



Electrical Ratings
CE (EN 60947-7-1 / EN 60947-7-2)
UL - CuLus
VDE (IEC 60947-7-1 / EN 60947-7-2)
CSA
ATEX

Connection Data
Conductor cross section solid (min-max.)
Conductor cross section stranded (min-max.)
2 conductors with same cross section, stranded, TWIN ferrules with plastic sleeve, (min-max.)
AWG Conductor
Insulation Stripping Length (min.-max.)
Torque (min-max.)
Rail Tightening torque, (min-max.)
Screwdriver

End Plate - Disconnect Plate

Technical Data
Rated Impulse Voltage / Pollution severity
Insulation material group / Gauge pin code according to IEC 60947-1
Protection class / Protection conductor type

Marking Tags (Dekafix)
See pages 326-333 for a list of Dekafix

Package Quantity

Voltage, V ~	Current, A	Cross-Section
		2,5 mm ²
		AWG 26-12
		0,5-2,5 mm ²

	0,2-4 mm ²
	0,2-4 mm ²
	0,5-1,5 mm ²
	AWG 24-12
	9-10 mm
	0,4-0,6 Nm
	IKT 3 (0,6x3,5)

--

8
1/A3
IP 20 / PE

D-NS 5x10, DB 10/5, DG 10/5, DG 10/5T

50 pcs.

Voltage, V ~	Current, A	Cross-Section
		4 mm ²
		AWG 26-10
		0,5-4 mm ²

	0,2-6 mm ²
	0,2-6 mm ²
	0,5-2,5 mm ²
	AWG 24-10
	9-10 mm
	0,5-0,8 Nm
	IKT 3 (0,6x3,5)

--

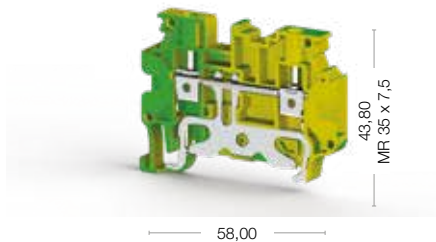
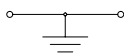
8
1/A4
IP 20 / PE

D-NS 6x10, DB 10/6, DG 10/6, DG 10/6T

50 pcs.

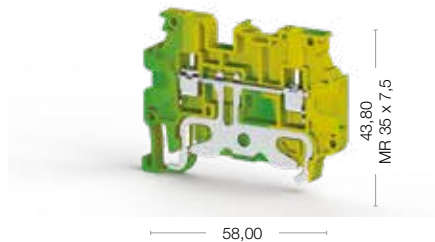
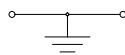
AVK 4 RT

Width: 6 mm




AVK 2,5 RT


Width: 5 mm



Cat No:

 334 270

Cat No:

 334 280

Voltage, V ~	Current, A	Cross-Section
		4 mm ²

0,2-6 mm ²		
0,2-6 mm ²		
0,5-2,5 mm ²		
AWG 24-10		
9-10 mm		
0,5-0,8 Nm		
IKT 3 (0,6x3,5)		

Type	Order No	Qty.
NPP /AVK 4 RT	450 332 T	25

8		
1/A4		
IP 20 / PE		
D-NS 6x10, DB 10/6, DG 10/6, DG 10/6T, SLF-P1 W		

50 pcs.

Voltage, V ~	Current, A	Cross-Section
		2,5 mm ²

0,2-4 mm ²		
0,2-4 mm ²		
0,5-1,5 mm ²		
AWG 24-12		
9-10 mm		
0,4-0,6 Nm		
IKT 3 (0,6x3,5)		

Type	Order No	Qty.
NPP /AVK 2,5 RT	450 332 T	25

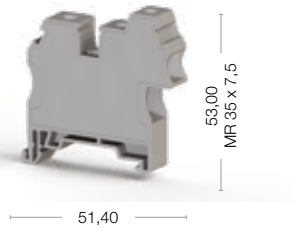
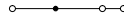
8		
1/A3		
IP 20 / PE		
D-NS 5x10, DB 10/5, DG 10/5, DG 10/5T, SLF-P1 W		

50 pcs.

AVK Series Terminals

AVK 10 RD 4

Width: 10 mm

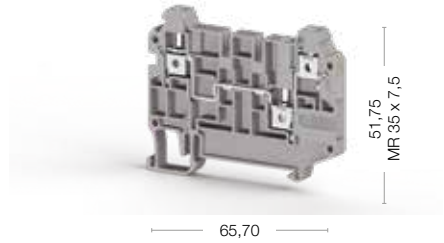
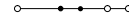


Cat No:

304 289
304 280

AVK 4 CE

Width: 6 mm



Cat No:

325 229
325 220



Electrical Ratings
CE (EN 60947-7-1)
UL - CuLus
VDE (IEC 60947-7-1)
CSA
ATEX

Voltage, V ~	Current, A	Cross-Section
800	57	10 mm ²
500	43	1,5-16 mm ²

Voltage, V ~	Current, A	Cross-Section
500	32	4 mm ²
500	28	0,5-6 mm ²

Connection Data
Conductor cross section solid (min.-max.)
Conductor cross section stranded (min.-max.)
2 conductors with same cross section, stranded, TWIN ferrules with plastic sleeve, (min.-max.)
AWG Conductor
Insulation Stripping Length (min.-max.)
Torque (min.-max.)
Screwdriver

0,5/0,2 mm ² - 16/4 mm ²
0,5/0,2 mm ² - 16/4 mm ²
0,5/0,5 - 6/1,5 mm ²
AWG 20/24 - 6/12
10/7 - 12/8 mm
1,2-0,5 / 1,8-0,8 Nm
IKT 3 (0,6x3,5) / IKT 4 (0,8x4)

0,2-6 mm ²
0,2-6 mm ²
0,5-2,5 mm ²
AWG 24-10
9-10 mm
0,5-0,8 Nm
IKT 3 (0,6x3,5)



Type	Order No	Qty.
NPP/AVK 4 CE	450 349	25

Type	Order No	Qty.
UK 10/2	474 152	25
UK 10/3	474 153	20
UK 10/4	474 154	15
UK 10/10	474 159	5



Type	Order No	Qty.
UK 4/2	476 232	25
UK 4/3	476 233	20
UK 4/4	476 234	15
UK 4/10	476 239	5

Type	Order No	Qty.
TKO 10/2	476 292	25
TKO 10/3	476 293	20
TKO 10/4	476 294	15
TKO 10/10	476 299	5



Type	Order No	Qty.
6/3		
1/B6-A4		
IP 20 / -		
D-NS 10x10, DG 10/10		

Type	Order No	Qty.
6/3		
1/A4		
IP 20 / -		
D-NS 6x10, DB 10/6, DG 10/6, DG 10/6T		

Technical Data
Rated Impulse Voltage / Pollution severity
Insulation material group / Gauge pin code according to IEC 60947-1
Protection class / Protection conductor type
Marking Tags (Dekafix)
See pages 326-333 for a list of Dekafix

60 pcs.

50 pcs.

Package Quantity
60 pcs.

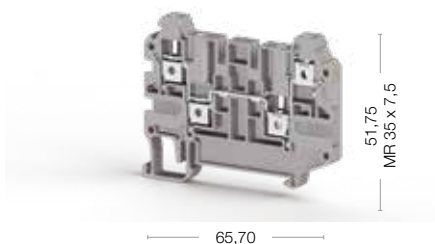
50 pcs.

50 pcs.

Color							
Color code is the last digit of the order number							
Blue	Green	Yellow	Red	Black	White	Orange	Brown
1	2	3	4	5	6	7	8
Blue	Green	Yellow	Red	Black	White	Orange	Brown
1	2	3	4	5	6	7	8

AVK 4 CC

Width: 6 mm



Cat No:

- 325 209
- 325 200

Voltage, V ~	Current, A	Cross-Section
500	32	4 mm ²
500	28	0,5-6 mm ²

0,2-6 mm ²
0,2-6 mm ²
0,5-2,5 mm ²
AWG 24-10
9-10 mm
0,5-0,8 Nm
IKT 3 (0,6x3,5)

Type	Order No	Qty.
NPP/AVK 4 CC	450 349	25

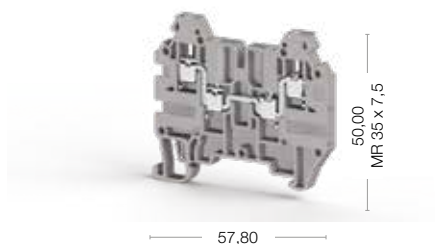
Type	Order No	Qty.
UK 4/2	476 232	25
UK 4/3	476 233	20
UK 4/4	476 234	15
UK 4/10	476 239	5

6/3
1/A4
IP 20 / -
D-NS 6x10, DB 10/6, DG 10/6, DG 10/6T

50 pcs.

AVK 2,5 CC

Width: 5 mm



Cat No:

- 324 909
- 304 900

Voltage, V ~	Current, A	Cross-Section
750	24	2,5 mm ²
600	20	AWG 26-12
630	21	0,5-2,5 mm ²

0,2-4 mm ²
0,2-4 mm ²
0,5-1,5 mm ²
AWG 24-12
9-10 mm
0,4-0,6 Nm
IKT 3 (0,6x3,5)

Type	Order No	Qty.
NPP/AVK 2,5 CC	444 139	25

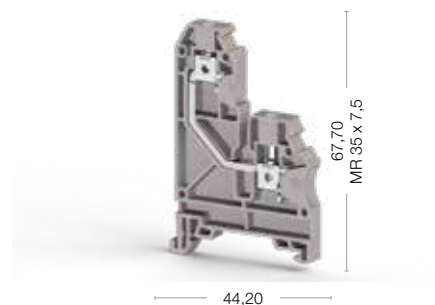
Type	Order No	Qty.
UK 2,5/2	476 222	25
UK 2,5/3	476 223	20
UK 2,5/4	476 224	15
UK 2,5/10	476 229	5
UK 2,5/16	474 260	10
UK 2,5/20	474 200	10

8/3
1/A3
IP 20 / -
D-NS 5x10, DB 10/5, Dg 10/5, DG 10/5T

100 pcs.

AVK 4 GD

Width: 6 mm



Cat No:

- 304 270
- 304 279

Voltage, V ~	Current, A	Cross-Section
500	32	4 mm ²
400	26	0,5-4 mm ²

0,2-6 mm ²
0,2-6 mm ²
0,5-2,5 mm ²
AWG 24-10
9-10 mm
0,5-0,8 Nm
IKT 3 (0,6x3,5)

Type	Order No	Qty.
NPP/AVK 4GD	444 140	25

Type	Order No	Qty.
UK 4/2	476 232	25
UK 4/3	476 233	20
UK 4/4	476 234	15
UK 4/10	476 239	5

Type	Order No	Qty.
TKO 4/2	476 272	25
TKO 4/3	476 273	20
TKO 4/4	476 274	15
TKO 4/10	476 279	5

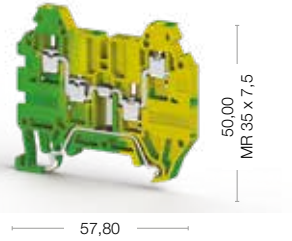
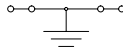
8/3
1/A4
IP 20 / -
D-NS 5x6, D-NS 6x10, DB 5, DB 10/6, DG 6/5, DG 10/6, DG 10/6T

100 pcs.

AVK RD Series Earth Terminals

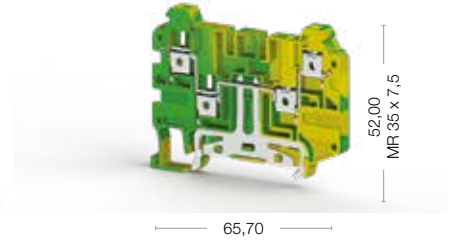
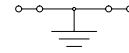
AVK 2,5 CCT

Width: 5 mm




AVK 4 CCT


Width: 6 mm



Cat No:

 334 220

Cat No:

 334 260



Electrical Ratings
CE (EN 60947-7-2)
UL - CuLus
VDE (IEC 60947-7-2)
CSA
ATEX

Voltage, V ~	Current, A	Cross-Section
		2,5 mm ²
		AWG 26-12
		0,5-2,5 mm ²

Voltage, V ~	Current, A	Cross-Section
		4 mm ²
		0,5-6 mm ²

Connection Data
Conductor cross section solid (min-max.)
Conductor cross section stranded (min-max.)
2 conductors with same cross section, stranded, TWIN ferrules with plastic sleeve, (min-max.)
AWG Conductor
Insulation Stripping Length (min.-max.)
Torque (min-max.)
Rail Tightening torque, (min-max.)
Screwdriver

0,2-4 mm ²
0,2-4 mm ²
0,5-1,5 mm ²
AWG 24-12
9-10 mm
0,4-0,6 Nm
IKT 3 (0,6x3,5)

0,2-6 mm ²
0,2-6 mm ²
0,5-2,5 mm ²
AWG 24-10
9-10 mm
0,5-0,8 Nm
IKT 3 (0,6x3,5)

End Plate - Disconnect Plate


Type	Order No	Qty.
NPP/AVK 2,5 CCT	444 132T	25

Type	Order No	Qty.
NPP/AVK 4 CCT	450 342T	25

Technical Data
Rated Impulse Voltage / Pollution severity
Insulation material group / Gauge pin code according to IEC 60947-1
Protection class / Protection conductor type

8/3
1/A3
IP 20 / PE

8/3
1/A4
IP 20 / PE

Marking Tags (Dekafix)
See pages 326-333 for a list of Dekafix

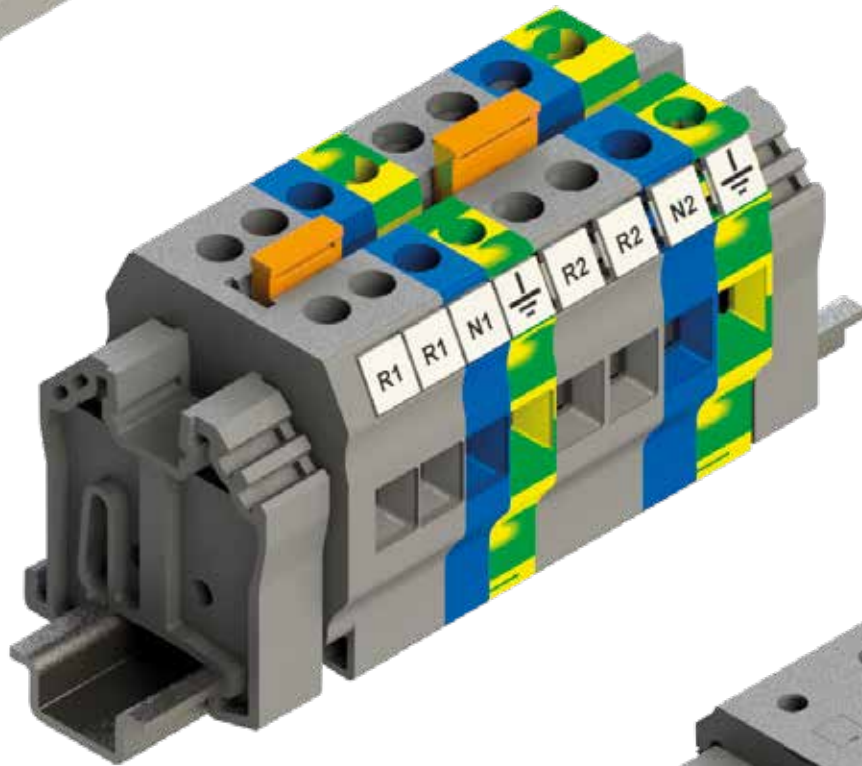
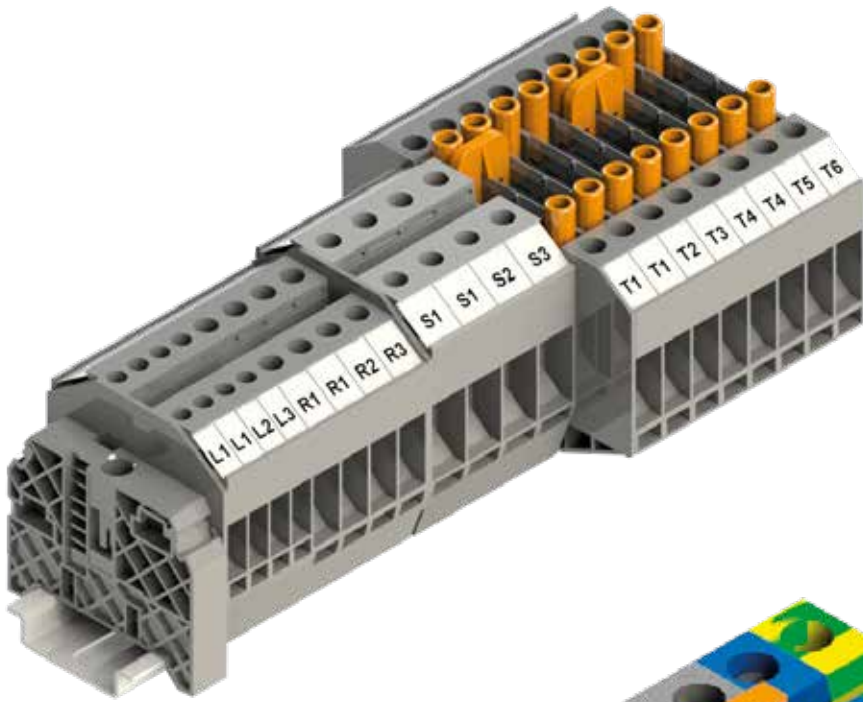
D-NS 5x10, DB 10/5, DG 10/5, DG 10/5T

D-NS 6x10, DG 10/6, DG 10/6T, DB 10/6

Package Quantity

25 pcs.

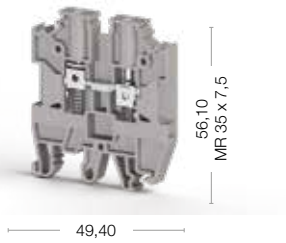
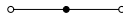
50 pcs.



AVK Y Series Terminals

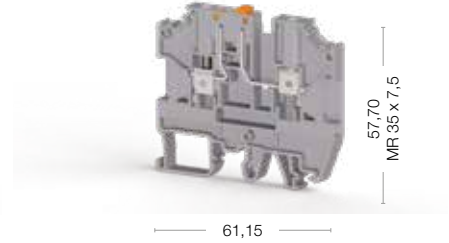
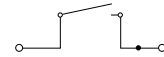
AVK Y 4

Width: 6 mm



AVK Y 4 A

Width: 6 mm



Cat No:

- 304 500
- 304 509

Cat No:

- 304 600
- 304 609



Electrical Ratings
CE (EN 60947-7-1)
UL - CuLus
VDE (IEC 60947-7-1)
CSA
ATEX

Voltage, V ~	Current, A	Cross-Section
800	32	4 mm ²
800	32	4 mm ²
630	28	0,5-6 mm ²

Voltage, V ~	Current, A	Cross-Section
500	32	4 mm ²

Connection Data
Conductor cross section solid (min.-max.)
Conductor cross section stranded (min.-max.)
2 conductors with same cross section, stranded, TWIN ferrules with plastic sleeve, (min.-max.)
AWG Conductor
Insulation Stripping Length (min.-max.)
Torque (min.-max.)
Screwdriver

0,2-6 mm ²
0,2-6 mm ²
0,5-2,5 mm ²
AWG 24-10
10-12 mm
0,5-0,8 Nm
IKT 3 (0,6x3,5)

0,2-6 mm ²
0,2-6 mm ²
0,5-2,5 mm ²
AWG 24-10
10-12 mm
0,5-0,8 Nm
IKT 3 (0,6x3,5)



Type	Order No	Qty.
NPP AVK Y 4/6	450 300	50

Type	Order No	Qty.
NPP AVK Y 4A	450 390	20



Type	Order No	Qty.
UK 4/2	474 132	25
UK 4/3	474 133	20
UK 4/4	474 134	15
UK 4/10	474 139	5
Uk 4/20	474 180	5
UK 4/50	474 190	5

Type	Order No	Qty.
UK 4/2	474 132	25
UK 4/3	474 133	20
UK 4/4	474 134	15
UK 4/10	474 139	5
Uk 4/20	474 180	5
UK 4/50	474 190	5

Technical Data
Rated Impulse Voltage / Pollution severity
Insulation material group / Gauge pin code according to IEC 60947-1
Protection class / Protection conductor type
Marking Tags (Dekafix)
See pages 326-333 for a list of Dekafix

8/3
1/B4
IP 20 / -
DB 10/6, DG 10/6T, SLF-P1 W, D-NS 6x10

8/3
1/B4
IP 20 / -
D-NS 6x10, DG 10/6, DG 10/6T, DB 10/6, SLF-P1 W

Package Quantity

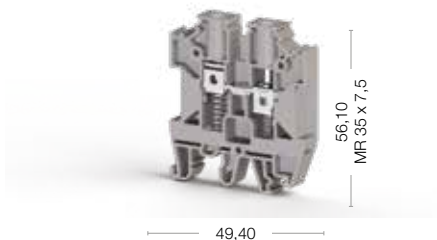
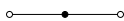
120 pcs.

30 pcs.

Color							
Color code is the last digit of the order number							
Blue	Green	Yellow	Red	Black	White	Orange	Brown
1	2	3	4	5	6	7	8

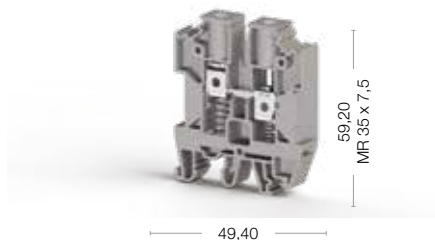
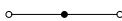
AVK Y 6

Width: 8 mm



AVK Y 10

Width: 10 mm



Cat No:

- 304 510
- 304 519

Voltage, V ~	Current, A	Cross-Section
800	41	6 mm ²
800	41	6 mm ²
500	36	0,5-10 mm ²

0,2-10 mm ²
0,2-10 mm ²
0,5-4 mm ²
AWG 24-8
10-12 mm
0,8-1,2 Nm
IKT 4 (0,8x0,4)

Type	Order No	Qty.
NPP AVK Y 4/6	450 300	50

Type	Order No	Qty.
UK 6/2	474 142	25
UK 6/3	474 143	20
UK 6/4	474 144	15
UK 6/10	474 149	5

8/3
1/B5
IP 20 / -
D-NS 8x10, DG 10/8, SLF-P1 W

90 pcs.

Cat No:

- 304 520
- 304 529

Voltage, V ~	Current, A	Cross-Section
800	57	10 mm ²
800	57	10 mm ²
500	50	1,5-16 mm ²

0,5-16 mm ²
0,5-16 mm ²
0,5-6 mm ²
AWG 20-16
10-12 mm
1,2-1,8 Nm
IKT 4 (0,8x0,4)

Type	Order No	Qty.
NPP/AVK Y 10	450 260	50

Type	Order No	Qty.
UK 10/2	474 152	25
UK 10/3	474 153	20
UK 10/4	474 154	15
UK 10/10	474 159	5

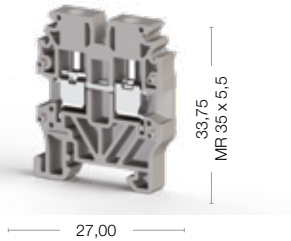
8/3
1/B6
IP 20 / -
D-NS 10x10, DG 10/10, SLF-P1 W

70 pcs.

MVK Type Mini Terminals for MR 15 Rails

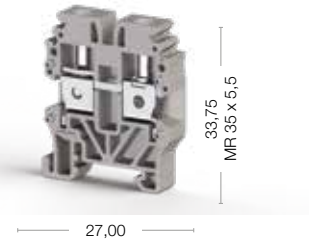
MVK 2,5

Width: 5 mm



MVK 4

Width: 6 mm



Cat No:

- 304 429
- 304 420

Cat No:

- 304 439
- 304 430



Electrical Ratings
CE (EN 60947-7-1 / EN 60947-7-2)
UL - CuLus
VDE (IEC 60947-7-1)
CSA
ATEX

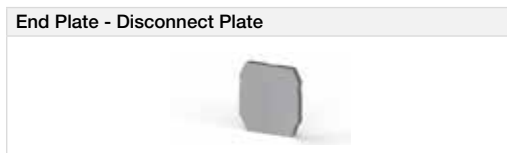
Voltage, V ~	Current, A	Cross-Section
400	24	2,5 mm ²
300	20	AWG 26-12
400	20	0,5-2,5 mm ²

Voltage, V ~	Current, A	Cross-Section
400	32	4 mm ²
300	30	AWG 24-10
400	28	0,5-4 mm ²

Connection Data
Conductor cross section solid (min.-max.)
Conductor cross section stranded (min.-max.)
2 conductors with same cross section, stranded, TWIN ferrules with plastic sleeve, (min.-max.)
AWG Conductor
Insulation Stripping Length (min.-max.)
Torque (min.-max.)
Screwdriver

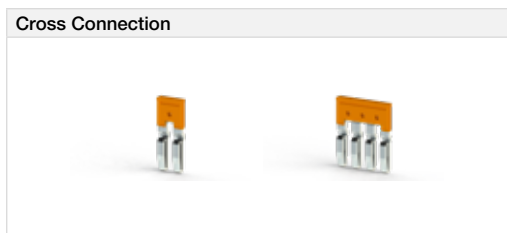
0,2-4 mm ²
0,2-4 mm ²
0,5-1,5 mm ²
AWG 24-12
9-10 mm
0,4-0,6 Nm
IKT 3 (0,6x3,5)

0,2-6 mm ²
0,2-6 mm ²
0,5-2,5 mm ²
AWG 24-10
9-10 mm
0,5-0,8 Nm
IKT 3 (0,6x3,5)



Type	Order No	Qty.
NPP/MVK 2,5-4	444 429	100

Type	Order No	Qty.
NPP/MVK 2,5-4	444 429	100



Type	Order No	Qty.
UK 2,5/2	476 222	25
UK 2,5/3	476 223	20
UK 2,5/4	476 224	15
UK 2,5/10	476 229	5
UK 2,5/16	474 260	10
UK 2,5/20	474 200	10

Type	Order No	Qty.
UK 4/2	476 232	25
UK 4/3	476 233	20
UK 4/4	476 234	15
UK 4/10	476 239	5

Technical Data
Rated Impulse Voltage / Pollution severity
Insulation material group / Gauge pin code according to IEC 60947-1
Protection class / Protection conductor type
Marking Tags (Dekafix)
See pages 326-333 for a list of Dekafix

6/3
1/B3
IP 20 / -
DB 5, D-NS 5X6

6/3
1/B4
IP 20 / -
DB 5, D-NS 5X6

Package Quantity
100 pcs.

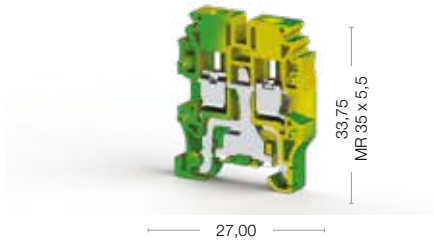
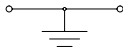
100 pcs.

100 pcs.

Color							
Color code is the last digit of the order number							
Blue	Green	Yellow	Red	Black	White	Orange	Brown
1	2	3	4	5	6	7	8

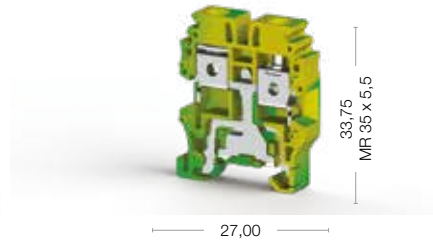
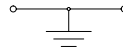
MVK 2,5 T

Width: 5 mm



MVK 4 T

Width: 6 mm



Cat No:

334 420

Cat No:

334 430

Voltage, V ~	Current, A	Cross-Section
		2,5 mm ²
		AWG 26-12
		0,5-2,5 mm ²

0,2-4 mm ²		
0,2-4 mm ²		
0,5-1,5 mm ²		
AWG 24-12		
9-10 mm		
0,4-0,6 Nm		
IKT 3 (0,6x3,5)		

Type	Order No	Qty.
NPP/MVK 2,5T	444 422T	100

6/3		
1/B3		
IP 20 / PE		
DB 5, D-NS 5X6		

50 pcs.

Voltage, V ~	Current, A	Cross-Section
		4 mm ²
		AWG 24-10
		0,5-4 mm ²

0,2-6 mm ²		
0,2-6 mm ²		
0,5-2,5 mm ²		
AWG 24-10		
9-10 mm		
0,5-0,8 Nm		
IKT 3 (0,6x3,5)		

Type	Order No	Qty.
NPP/MVK 4T	444 422T	100

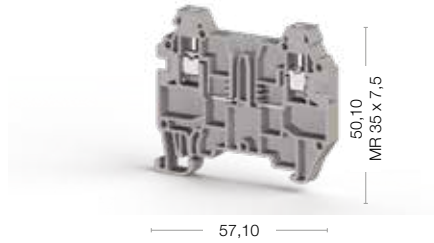
6/3		
1/B4		
IP 20 / PE		
DB 5, D-NS 5X6		

50 pcs.

Functional Terminals and Sockets

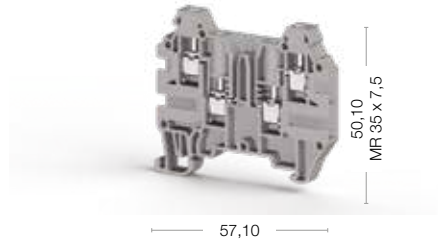
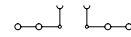
AVK 2,5 F

Width: 6 mm



AVK 2,5 CF

Width: 6 mm



Cat No:

324 929
324 920

Cat No:

324 919
324 910



Electrical Ratings
CE (EN 60947-7-1)
UL - CuLus
VDE (IEC 60947-7-1)
CSA
ATEX

Voltage, V ~	Current, A	Cross-Section
400	16	2,5 mm ²

Voltage, V ~	Current, A	Cross-Section
400	16	4 mm ²

Connection Data
Conductor cross section solid (min.-max.)
Conductor cross section stranded (min.-max.)
2 conductors with same cross section, stranded, TWIN ferrules with plastic sleeve, (min.-max.)
AWG Conductor
Insulation Stripping Length (min.-max.)
Torque (min.-max.)
Screwdriver

0,2-4 mm ²
0,2-4 mm ²
0,5-1,5 mm ²
AWG 24-12
9-10 mm
0,4-0,6 Nm
IKT 3 (0,6x3,5)

0,2-4 mm ²
0,2-4 mm ²
0,5-1,5 mm ²
AWG 24-12
9-10 mm
0,4-0,6 Nm
IKT 3 (0,6x3,5)

End Plate - Disconnect Plate

Type	Order No	Qty.
NPP AVK 2,5 F	444 139	25

Type	Order No	Qty.
NPP AVK 2,5 CF	444 139	25

Technical Data For Diode
Diode Voltage
Diode Current
Diod

Technical Data
Rated Impulse Voltage / Pollution severity
Insulation material group / Gauge pin code according to IEC 60947-1
Protection class / Protection conductor type
Marking Tags (Dekafix)
See pages 326-333 for a list of Dekafix

6/3
1/A3
IP 20 / -
D-NS 5x10, DB 10/5, DG 10/5, DG 10/5T

6/3
1/A3
IP 20 / -
D-NS 5x10, DB 10/5, DG 10/5, DG 10/5T

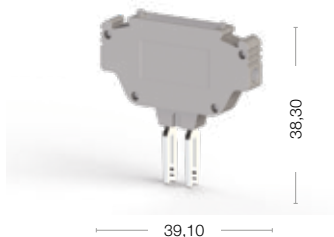
Package Quantity

80 pcs.

80 pcs.

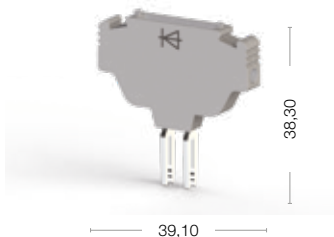
AVK SKT

Width: 5,80 mm



AVK SKTD

Width: 5,80 mm



Cat No:

- 498 759
- 498 750

Voltage, V ~	Current, A	Cross-Section
400	16	2,5 mm ²

0,2-0,4 mm ²
0,2-0,4 mm ²
0,5-1,5 mm ²
AWG 24-12
6-7 mm
0,4-0,6 Nm
IKT 3 (0,6x3,5)

Type	Order No	Qty.

6/3
1/A3
IP 20 / PE
D-NS 5x6, DB 5, DG 6/5

50 pcs.

NOTE: AVK SKTD product is just used with AVK 2,5 F and AVK 2,5 CF terminals.

Cat No:

- 498 859
- 498 850

Voltage, V ~	Current, A	Cross-Section
400	1	2,5 mm ²

0,2-0,4 mm ²
0,2-0,4 mm ²
0,5-1,5 mm ²
AWG 24-12
6-7 mm
0,4-0,6 Nm
IKT 3 (0,6x3,5)

Type	Order No	Qty.

1000V
1A
1 N 4007

6/3
1/A3
IP 20 / PE
D-NS 5x6, DB 5, DG 6/5

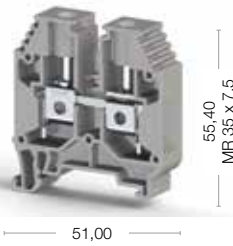
50 pcs.

NOTE: AVK SKTD product is just used with AVK 2,5 F and AVK 2,5 CF terminals.

AVK PV Series Terminals

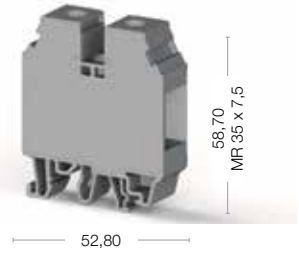
AVK 16 PV

Width: 12 mm



AVK 35 RD PV

Width: 16 mm



Cat No:

- 304 160 P
- 304 169 P
- 304 161 P

Cat No:

- 304 250 P
- 304 259 P
- 304 251 P



Electrical Ratings
CE (EN 60947-7-1)
UL - CuLus
VDE (IEC 60947-7-1)
CSA
ATEX

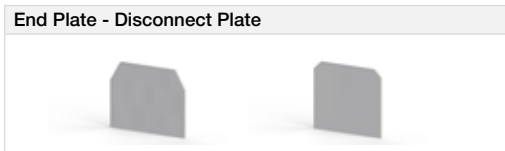
Voltage, V ~	Current, A	Cross-Section
750	76	16 mm ²
1000	85	AWG 12-4

Voltage, V ~	Current, A	Cross-Section
1000	125	35 mm ²
1000	115	AWG 12-2

Connection Data
Conductor cross section solid (min.-max.)
Conductor cross section stranded (min.-max.)
2 conductors with same cross section, stranded, TWIN ferrules with plastic sleeve, (min.-max.)
AWG Conductor
Insulation Stripping Length (min.-max.)
Torque (min.-max.)
Screwdriver

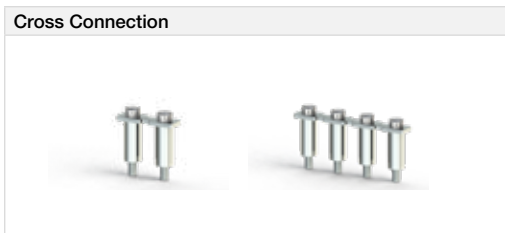
2,5-25 mm ²
4-25 mm ²
1,5-10 mm ²
AWG 14-4
12-14 mm
1,2-2,0 Nm
IKT 5 (1,0x5,5)

1,5-50 mm ²
1,5-50 mm ²
1,5-16 mm ²
AWG 16-2
16-18 mm
2,5-3,5 Nm
IKT 6 (1,2x6,5)



Type	Order No	Qty.
NPP / AVK 16	444 160	100
APP / AVK 16	462 160	25

Type	Order No	Qty.
APP / AVK 35 RD	462 180	10



Type	Order No	Qty.
UK 16/2	474 162	25
UK 16/3	474 163	22
UK 16/4	474 164	15
UK 16/10	474 169	5

Type	Order No	Qty.
UK 35/2	474 172	25
UK 35/3	474 173	22
UK 35/4	474 174	15
UK 35/10	474 179	5

Technical Data
Rated Impulse Voltage / Pollution severity
Insulation material group / Gauge pin code according to IEC 60947-1
Protection class / Protection conductor type
Marking Tags (Dekafix)
See pages 326-333 for a list of Dekafix

8/3
1/B7
IP 20 / -
D-NS 12x10, DG 10/10

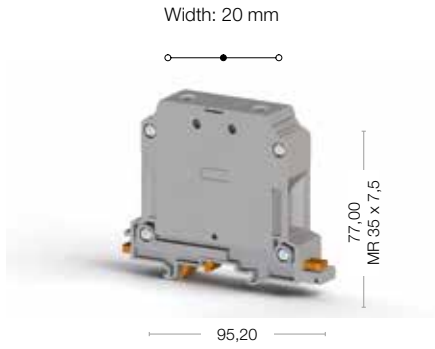
8/3
1/B9
IP 20 / -
D-NS 12x10, D-NS 14x10, DG 10/10

Package Quantity

50 pcs.

40 pcs.

AVK 50 PV



Cat No:

- 304 330 P
- 304 339 P
- 304 331 P

Voltage, V ~	Current, A	Cross-Section
1000	150	50 mm ²
1000	150	AWG 6-1/0

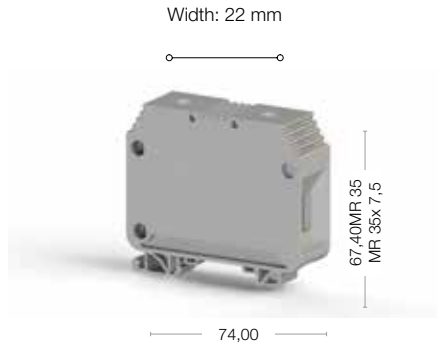
16-70 mm ²
25-50 mm ²
10-16 mm ²
AWG 10-1/0
22-24 mm
6-10 Nm
S 5 (DIN 6911)

Type	Order No	Qty.
UK 50/2	478 332	5
UK 50/3	478 333	5
UK 50/4	478 334	5

8/3
1/B10
IP 20 / -
KOIP SM W, SLF-P1 W

25 pcs.

AVK 70 PV



Cat No:

- 304 190 P
- 304 199 P
- 304 191 P

Voltage, V ~	Current, A	Cross-Section
1000	192	70 mm ²
1000	175	AWG 6-2/0

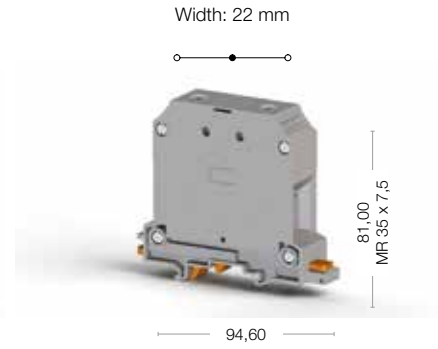
16-70 mm ²
16-70 mm ²
16-25 mm ²
AWG 6-2/0
22-24 mm
6-12 Nm
S 6 (DIN 6911)

Type	Order No	Qty.

8/3
1/A11
IP 20 / -
D-NS 12x10, D-NS 14x10, DG 10/10

25 pcs.

AVK 70 RD PV



Cat No:

- 304 490 P
- 304 499 P
- 304 491 P

Voltage, V ~	Current, A	Cross-Section
1000	192	70 mm ²
1000	175	AWG 6-2/0

16-70 mm ²
16-70 mm ²
16-25 mm ²
AWG 6-2/0
22-24 mm
6-12 Nm
S 6 (DIN 6911)

Type	Order No	Qty.
UK 70/2	478 372	5
UK 70/3	478 373	5
UK 70/4	478 374	5

8/3
1/A11
IP 20 / -
D-NS 12x10, DG 10/10, SLF-P1 W

10 pcs.

CPB Series Terminals

CPB Series Ring and Fork Type Plug inTerminals are suitable for heavy industries and provide practical safe connection. For series, cable assembly is done with insulated ring type terminals. With this feature, they are preferred in iron and steel plants, mining industry and medium voltage modular units. CPB Series provide cross section for 6 mm². Comb connector and End plate are available. Special Marking solutions can be provided by Plotter labeling.

Cable assembly for CPB Series is done with insulated fork type terminals.

CPB Series provide cross section for 6 mm².

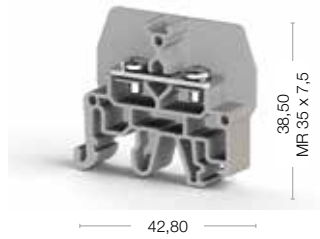
Special Marking solutions can be provided by Plotter labeling.



PB - CPB Series Feed Through and Earth Terminals

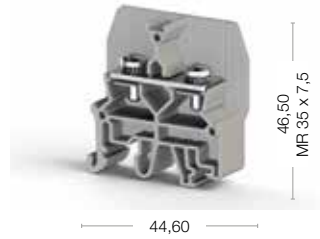
CPB 6

Width: 9,50 mm



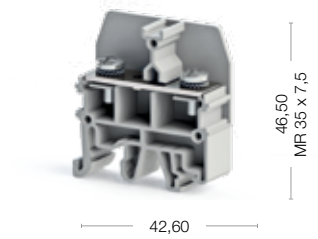
CPB 6 B

Width: 13 mm



CPB 6 U

Width: 13 mm



Cat No:

- 326 809
- 326 800

Cat No:

- 326 819
- 326 810

Cat No:

- 326 829



Electrical Ratings
CE (EN 60947-7-1 / EN 60947-7-2)
UL
VDE (IEC 60947-7-1)
CSA
ATEX

Voltage, V ~	Current, A	Cross-Section
800	41	6 mm ²

Voltage, V ~	Current, A	Cross-Section
800	57	10 mm ²

Voltage, V ~	Current, A	Cross-Section
500	57	10 mm ²

Connection Data
Conductor cross section solid (min.-max.)
Conductor cross section stranded (min.-max.)
AWG Conductor
Torque (min.-max.)
Bolt Diameter
Screwdriver

0,5-6 mm ²
0,5-6 mm ²
AWG 20-10
0,8-1,2 Nm
3,5 mm
IKT 4 (0,8x4,0)

0,5-10 mm ²
0,5-10 mm ²
AWG 20-8
1,2-1,8 Nm
4 mm
IKT 4 (0,8x4,0)

0,5-10 mm ²
0,5-10 mm ²
AWG 20-8
1,2-1,8 Nm
4 mm
IKT 4 (0,8x4,0)



Type	Order No	Qty.
NPP CPB 6	450 289	50

Type	Order No	Qty.
NPP/CPB 6	450 299	50

Type	Order No	Qty.
NPP/CPB 6	450 299	50



Type	Order No	Qty.
UK 9,5/2	480 192	25
UK 9,5/3	480 193	20
UK 9,5/4	480 194	15
UK 9,5/7	480 197	10
UK 9,5/10	480 199	5

Type	Order No	Qty.
UK 13/2	480 202	25
UK 13/3	480 203	20
UK 13/4	480 204	15
UK 13/7	480 207	10
UK 13/10	480 209	5

Type	Order No	Qty.
UK 13/2	480 202	25
UK 13/3	480 203	20
UK 13/4	480 204	15
UK 13/7	480 207	10
UK 13/10	480 209	5

Technical Data
Rated Impulse Voltage / Pollution severity
Insulation material group / Gauge pin code according to IEC 60947-1
Protection class / Protection conductor type
Marking Tags (Dekafix)
See pages 326-333 for a list of Dekafix

8/3
1/NA
IP 20
D-NS 5x6, DB 5, DG 6/5

8/3
1/NA
IP 20
D-NS 5x6, DB 5, DG 6/5

8/3
1/NA
IP 20
D-NS 5x6, DB 5, DG 6/5

Package Quantity
50 pcs.

50 pcs.

25 pcs.

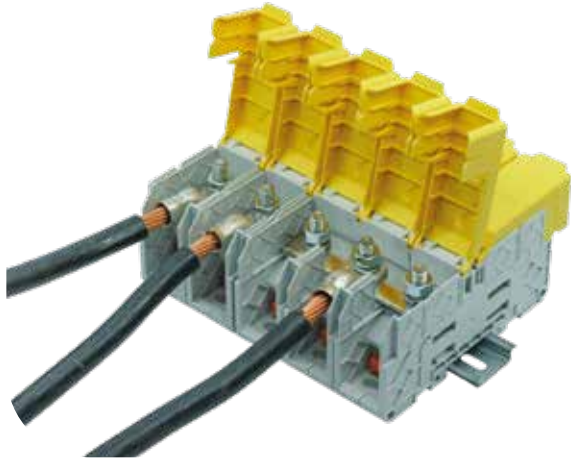
25 pcs.

High Current / PB Series / Bolt Connection Terminals

AVK Series Screw Connection High Current Terminals provide 50 240 mm² cross-section range. Cross Connection can be used for terminals with all cross-sections. These terminal blocks are fixed to each other via pins on sides, providing a rigid performance on DIN Rail and easy montage advantages in constricted environments where connection with Insulated Terminals are difficult. EK-6 terminals are used for taking additional cable (for signals etc.) from high current (big cross sectioned) terminal blocks. Marking solutions can be provided by Plotter Labeling.

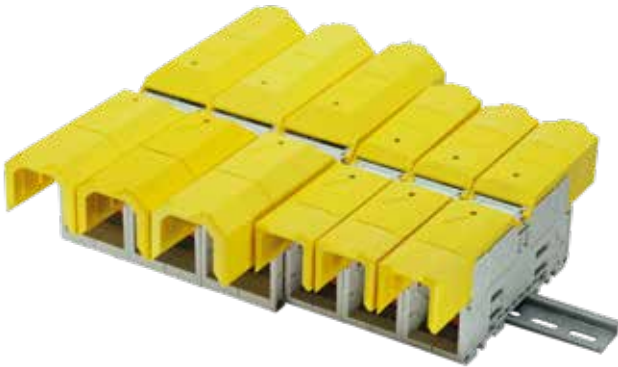


For the panels where connection on din rails are not possible, AVK PB Series Screw Connection High Current Terminal is a good alternative where it can be mounted directly into the base of the cabinet with screws. These terminals have all the same features as High Current Terminals mounted on DIN-Rail. Special Marking solutions for each cross section can be provided by Plotter Labeling.



The Klemsan PAK Series Terminal Blocks provide high current carrying capacity and ensure secure connections, as they are:

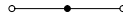
- Fully insulated with its cover and enclosure structures
- In compliance with EN 45545-2 and UL-94 standards
- In the V0 inflammability class
- Compatible with different cable lugs



High Current Terminals

AVK 50

Width: 20 mm



Cat No:

- 304 330
- 304 339

Hexagon Socket Screw

AVK 70 RD

Width: 22 mm



Cat No:

- 304 490
- 304 499

Hexagon Socket Screw



Electrical Ratings
CE (EN 60947-7-1)
UL
VDE (IEC 60947-7-1)
CSA
ATEX


Voltage, V ~	Current, A	Cross-Section
1000	150	50 mm ²
600	150	AWG 6-1/0
800	133	16-50 mm ²

Voltage, V ~	Current, A	Cross-Section
1000	192	70 mm ²
600	175	AWG 6-2/0
630	162	16-70 mm ²

Connection Data
Conductor cross section solid (min.-max.)
Conductor cross section stranded (min.-max.)
2 conductors with same cross section, stranded, TWIN ferrules with plastic sleeve, (min.-max.)
AWG Conductor
Insulation Stripping Length (min.-max.)
Torque (min.-max.)
Screwdriver

16-70 mm ²
25-50 mm ²
10-16 mm ²
AWG 10-1/0
22-24 mm
6-10 Nm
S5 (DIN 6911)

16-70 mm ²
16-70 mm ²
16-25 mm ²
AWG 6-2/0
22-24 mm
6-12 Nm
S6 (DIN 6911)

Cross Connection


Type	Order No	Qty.
UK 50/2	478 332	5
UK 50/3	478 333	5
UK 50/4	478 334	5

Type	Order No	Qty.
UK 70/2	478 372	5
UK 70/3	478 373	5
UK 70/4	478 374	5

AVK / EK6


Technical Data
Rated Impulse Voltage / Pollution severity
Insulation material group / Gauge pin code according to IEC 60947-1
Protection class / Protection conductor type
Marking Tags (Dekafix)
See pages 326-333 for a list of Dekafix

8/3
1/B10
IP 10 / -
KOIP SW, SLF-P1 W

8/3
1/A11
IP 10 / -
KOIP SW, SLF-P1 W

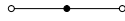
Package Quantity
25 pcs.

25 pcs.

Package Quantity
10 pcs.

AVK 95

Width: 25 mm



90,00
MR 35 x 7,5

95,20

Cat No:

- 304 340
- 304 349

Hexagon Socket Screw

Voltage, V ~	Current, A	Cross-Section
1000	232	95 mm ²
600	230	AWG 2-4/0
1000	193	35-95 mm ²

25-95 mm ²
35-95 mm ²
16-35 mm ²
AWG 4-3/0
26-28 mm
10-15 Nm
S6 (DIN 6911)

Type	Order No	Qty.
UK 95/2	478 342	5
UK 95/3	478 343	5
UK 95/4	478 344	5

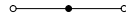
Type	Order No	Qty.
AVK / EK6	304 370	20

8/3
1/B12
IP 10 / -
KOIP SW, SLF-P1 W

6 pcs.

AVK 150

Width: 31 mm



107,50
MR 35 x 7,5

95,50

Cat No:

- 304 350
- 304 359

Hexagon Socket Screw

Voltage, V ~	Current, A	Cross-Section
1000	309	150 mm ²
600	270	2-300 kcmil
1000	249	50-150 mm ²

35-150 mm ²
50-150 mm ²
25-50 mm ²
AWG 2-300 kcmil
29-31 mm
10-18 Nm
S8 (DIN 6911)

Type	Order No	Qty.
UK 150/2	478 352	5
UK 150/3	478 353	5
UK 150/4	478 354	5

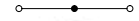
Type	Order No	Qty.
AVK / EK6	304 370	20

8/3
1/B14
IP 10 / -
KOIP SW, SLF-P1 W

4 pcs.

AVK 240

Width: 36 mm



115,00
MR 35 x 7,5

95,50

Cat No:

- 304 360
- 304 369

Hexagon Socket Screw

Voltage, V ~	Current, A	Cross-Section
1000	415	240 mm ²
600	370	2/0-500 kcmil
1000	337	70-240 mm ²

50-240 mm ²
70-240 mm ²
35-50 mm ²
AWG 2/0-500 kcmil
33-35 mm
10-20 Nm
S8 (DIN 6911)

Type	Order No	Qty.
UK 240/2	478 362	5
UK 240/3	478 363	5
UK 240/4	478 364	5

Type	Order No	Qty.
AVK / EK6	304 370	20

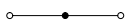
8/3
1/A16
IP 10 / -
KOIP SW, SLF-P1 W

4 pcs.

PB Series Terminals Panel Mount Terminals

AVK PB 50

Width: 20 mm

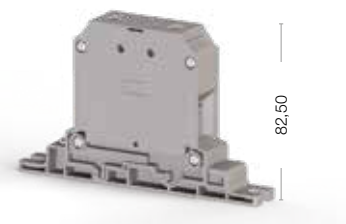
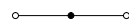


78,50

135,40

AVK PB 70 RD

Width: 22 mm



82,50

135,40

Cat No:

- 304 440
- 304 449

Hexagon Socket Screw

Cat No:

- 304 450
- 304 459

Hexagon Socket Screw



Electrical Ratings
CE (EN 60947-7-1)
UL
VDE (IEC 60947-7-1)
CSA
ATEX


Voltage, V ~	Current, A	Cross-Section
1000	150	50 mm ²

Voltage, V ~	Current, A	Cross-Section
1000	192	70 mm ²

Connection Data
Conductor cross section solid (min.-max.)
Conductor cross section stranded (min.-max.)
2 conductors with same cross section, stranded, TWIN ferrules with plastic sleeve, (min.-max.)
AWG Conductor
Insulation Stripping Length (min.-max.)
Torque (min.-max.)
Screwdriver

16-70 mm ²
25-50 mm ²
10-16 mm ²
AWG 10-1/0
22-24 mm
6-10 Nm
S5 (DIN 6911)

16-70 mm ²
16-70 mm ²
16-25 mm ²
AWG 6-2/0
22-24 mm
6-12 Nm
S6 (DIN 6911)

Cross Connection


Type	Order No	Qty.
UK 50/2	478 332	5
UK 50/3	478 333	5
UK 50/4	478 334	5

Type	Order No	Qty.
UK 70/2	478 372	5
UK 70/3	478 373	5
UK 70/4	478 374	5

AVK / EK6


Technical Data
Rated Impulse Voltage / Pollution severity
Insulation material group / Gauge pin code according to IEC 60947-1
Protection class / Protection conductor type
Marking Tags (Dekafix)
See pages 326-333 for a list of Dekafix

8/3
1/B10
IP 10 / -
KOIP SW, SLF-P1 W

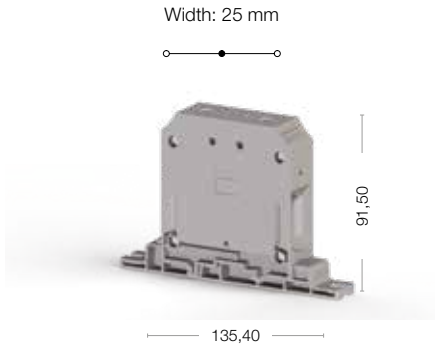
8/3
1/A11
IP 10 / -
KOIP SW, SLF-P1 W

Package Quantity

6 pcs.

6 pcs.

AVK PB 95



Cat No:

- 304 460
- 304 469

Hexagon Socket Screw

Voltage, V ~	Current, A	Cross-Section
1000	232	95 mm ²

25-95 mm ²
35-95 mm ²
16-35 mm ²
AWG 4-3/0
26-28 mm
10-15 Nm
S6 (DIN 6911)

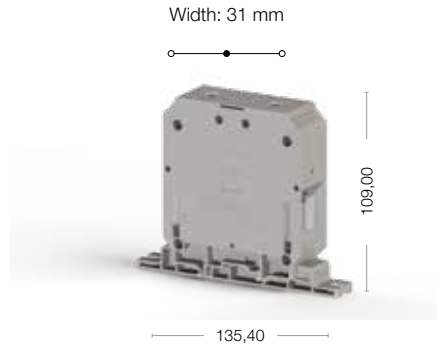
Type	Order No	Qty.
UK 95/2	478 342	5
UK 95/3	478 343	5
UK 95/4	478 344	5

Type	Order No	Qty.
AVK / EK6	304 370	20

8/3
1/B12
IP 10 / -
KOIP SW, SLF-P1 W

6 pcs.

AVK PB 150



Cat No:

- 304 470
- 304 479

Hexagon Socket Screw

Voltage, V ~	Current, A	Cross-Section
1000	309	150 mm ²

35-150 mm ²
50-150 mm ²
25-50 mm ²
AWG 2/300 kcmil
29-31 mm
10-18 Nm
S8 (DIN 6911)

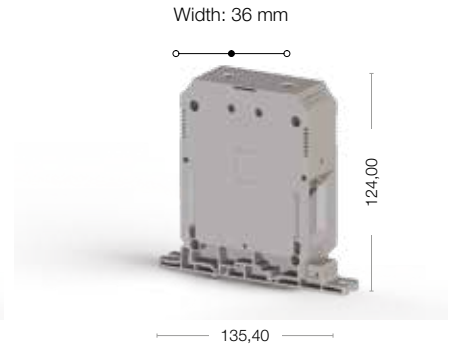
Type	Order No	Qty.
UK 150/2	478 352	5
UK 150/3	478 353	5
UK 150/4	478 354	5

Type	Order No	Qty.
AVK / EK6	304 370	20

8/3
1/B14
IP 10 / -
KOIP SW, SLF-P1 W

4 pcs.

AVK PB 240



Cat No:

- 304 480
- 304 489

Hexagon Socket Screw

Voltage, V ~	Current, A	Cross-Section
1000	415	240 mm ²

50-240 mm ²
70-240 mm ²
35-50 mm ²
AWG 2/0 500 kcmil
33-35 mm
10-20 Nm
S8 (DIN 6911)

Type	Order No	Qty.
UK 240/2	478 362	5
UK 240/3	478 363	5
UK 240/4	478 364	5

Type	Order No	Qty.
AVK / EK6	304 370	20

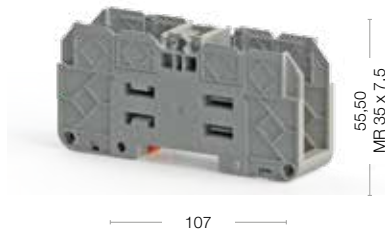
8/3
1/A16
IP 10 / -
KOIP SW, SLF-P1 W

6 pcs.

PAK Series

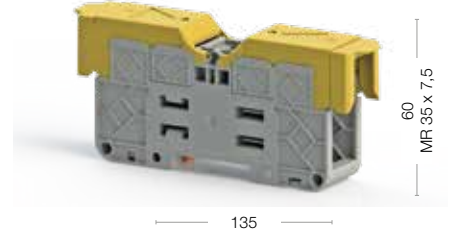
PAK 25-35

Width: 27 mm



PAK 25-35 KK

Width: 27 mm



Cat No:

■ 313 009

Cat No:

■ 313 019



Electrical Ratings
CE (EN 60947-7-1 / EN 60947-7-2)
UL
VDE (IEC 60947-7-1)
CSA
ATEX

Voltage, V ~	Current, A	Cross-Section
1000	125	2,5-50 mm ²

Voltage, V ~	Current, A	Cross-Section
1000	125	2,5-50 mm ²

Connection Data
Connection in acc. with standard
Cable lugs DIN 46234
Cable lugs DIN 46235
Cable lugs DIN 46234
Cable lugs DIN 46235
Bolt
Tightening torque, min
Tightening torque max

DIN 46234 / DIN46235
2,5 - 50 mm ²
6 - 25 mm ²
14 - 1/0 AWG
10 - 4 AWG
M 6
3 Nm
6 Nm

DIN 46234 / DIN46235
2,5 - 50 mm ²
6 - 25 mm ²
14 - 1/0 AWG
10 - 4 AWG
M 6
3 Nm
6 Nm

Protection Cover

Type	Order No	Qty.
COVER PAK 25-35	466 173	10

Type	Order No	Qty.

Comb Connection

Type	Order No	Qty.
UK 35/2	472 002	5
UK 35/3	472 003	5

Type	Order No	Qty.
UK 35/2	472 002	5
UK 35/3	472 003	5

Technical Data
Rated Impulse Voltage / Pollution severity
Insulation material group / Gauge pin code according to IEC 60947-1
Protection class / Protection conductor type
Marking Tags (Dekafix)
See pages 326-333 for a list of Dekafix

8/3
1/NA
IP 20
DG 10/6, D-NS 12x10, SLF-P1W

8/3
1/NA
IP 20
DG 10/6, D-NS 12x10, SLF-P1W

Package Quantity

10 pcs.

10 pcs.

PAK 50-70

Width: 31,80 mm



64
MR 35 x 7,5

132

Cat No:

313 049

Voltage, V ~	Current, A	Cross-Section
1000	192	2,5-95 mm ²

DIN 46234 / DIN 46235
2,5 - 95 mm ²
16 - 70 mm ²
14 - 3/0 AWG
6 - 2/0 AWG
M 8
6 Nm
12 Nm

Type	Order No	Qty.
COVER PAK 50-70	466 183	10

Type	Order No	Qty.
UK 70/2	472 012	5
UK 70/3	472 013	5

8/3
1/NA
IP 20
DG 10/6, D-NS 12x10, SLF-P1W

10 pcs.

PAK 50-70 KK

Width: 31,80 mm



70
MR 35 x 7,5

170

Cat No:

313 059

Voltage, V ~	Current, A	Cross-Section
1000	192	2,5-95 mm ²

DIN 46234 / DIN 46235
2,5 - 95 mm ²
16 - 70 mm ²
14 - 3/0 AWG
6 - 2/0 AWG
M 8
6 Nm
12 Nm

Type	Order No	Qty.

Type	Order No	Qty.
UK 70/2	472 012	5
UK 70/3	472 013	5

8/3
1/NA
IP 20
DG 10/6, D-NS 12x10, SLF-P1W

10 pcs.

PAK 95-150

Width: 41 mm



74
MR 35 x 7,5

144

Cat No:

313 089

Voltage, V ~	Current, A	Cross-Section
1000	309	6-150 mm ²

DIN 46234 / DIN 46235
6 - 150 mm ²
16 - 150 mm ²
10 AWG - 300 kcmil
6 AWG - 300 kcmil
M 10
10 Nm
20 Nm

Type	Order No	Qty.
COVER PAK 95-150	466 193	10

Type	Order No	Qty.
UK 150/2	472 022	5
UK 150/3	472 023	5

8/3
1/NA
IP 20
DG 10/6, D-NS 12x10, D-NS 14x10, SLF-P1W

5 pcs.

PAK Series

PAK 95-150 KK

Width: 41 mm



78,50
MR 35 x 7,5

226

PAK 185-240

Width: 55 mm



82
MR 35 x 7,5

163

Cat No:

313 099

Cat No:

313 129



Electrical Ratings
CE (EN 60947-7-1 / EN 60947-7-2)
UL
VDE (IEC 60947-7-1)
CSA
ATEX

Voltage, V ~	Current, A	Cross-Section
1000	309	6-150 mm ²

Voltage, V ~	Current, A	Cross-Section
1000	415	10-240 mm ²

Connection Data
Connection in acc. with standard
Cable lugs DIN 46234
Cable lugs DIN 46235
Cable lugs DIN 46234
Cable lugs DIN 46235
Bolt
Tightening torque, min
Tightening torque max

DIN 46234 / DIN 46235
6 - 150 mm ²
16 - 150 mm ²
10 AWG - 300 kcmil
6 AWG - 300 kcmil
M 10
10 Nm
20 Nm

DIN 46234 / DIN 46235
10 - 240 mm ²
25 - 240 mm ²
8 AWG - 500 kcmil
4 AWG - 500 kcmil
M 12
14 Nm
30 Nm

Protection Cover


Type	Order No	Qty.

Type	Order No	Qty.
COVER PAK 185-300	466 203	10

Comb Connection


Type	Order No	Qty.
UK 150/2	472 022	5
UK 150/3	472 023	5

Type	Order No	Qty.
UK 240/2	472 032	5
UK 240/3	472 033	5

Technical Data
Rated Impulse Voltage / Pollution severity
Insulation material group / Gauge pin code according to IEC 60947-1
Protection class / Protection conductor type
Marking Tags (Dekafix)
See pages 326-333 for a list of Dekafix

8/3
1/NA
IP 20
DG 10/6, D-NS 12x10, D-NS 14x10, SLF-P1W

8/3
1/NA
IP 20
DG 10/6, D-NS 12x10, D-NS 14x10, SLF-P1W

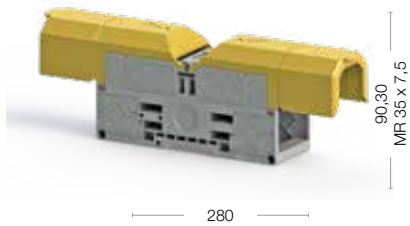
Package Quantity

5 pcs.

5 pcs.

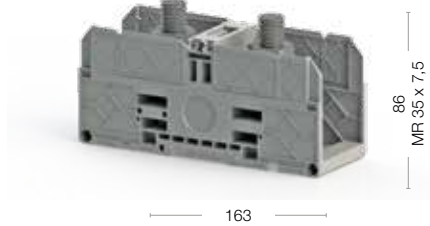
PAK 185-240 KK

Width: 55 mm



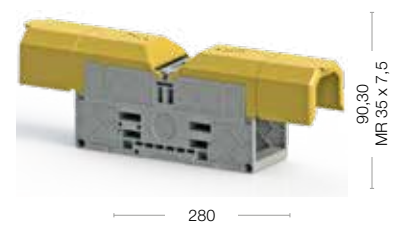
PAK 300

Width: 55 mm



PAK 300 KK

Width: 55 mm



Cat No:

■ 313 139

Cat No:

■ 313 169

Cat No:

■ 313 179

Voltage, V ~	Current, A	Cross-Section
1000	415	10-240 mm ²

DIN 46234 / DIN 46235
10 - 240 mm ²
25 - 240 mm ²
8 AWG - 500 kcmil
4 AWG - 500 kcmil
M 12
14 Nm
30 Nm

Type	Order No	Qty.

Type	Order No	Qty.
UK 240/2	472 032	5
UK 240/3	472 033	5

8/3
1/NA
IP 20
DG 10/6, D-NS 12x10, D-NS 14x10, SLF-P1W

5 pcs.

Voltage, V ~	Current, A	Cross-Section
1000	520	25-300 mm ²

DIN 46234 / DIN 46235
25 - 240 mm ²
50 - 300 mm ²
4 AWG - 500 kcmil
1/0 AWG - 600 kcmil
M 16
25 Nm
35 Nm

Type	Order No	Qty.
COVER PAK 185-300	466 203	10

Type	Order No	Qty.
UK 300/2	472 042	5
UK 300/3	472 043	5

8/3
1/NA
IP 20
DG 10/6, D-NS 12x10, D-NS 14x10, SLF-P1W

5 pcs.

Voltage, V ~	Current, A	Cross-Section
1000	520	25-300 mm ²

DIN 46234 / DIN 46235
25 - 240 mm ²
50 - 300 mm ²
4 AWG - 500 kcmil
1/0 AWG - 600 kcmil
M 16
25 Nm
35 Nm

Type	Order No	Qty.

Type	Order No	Qty.
UK 300/2	472 042	5
UK 300/3	472 043	5

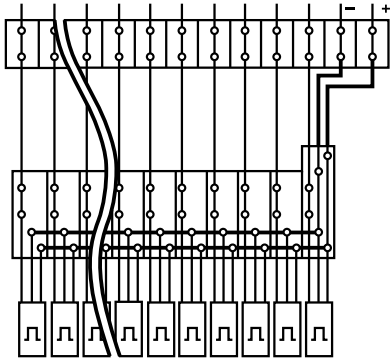
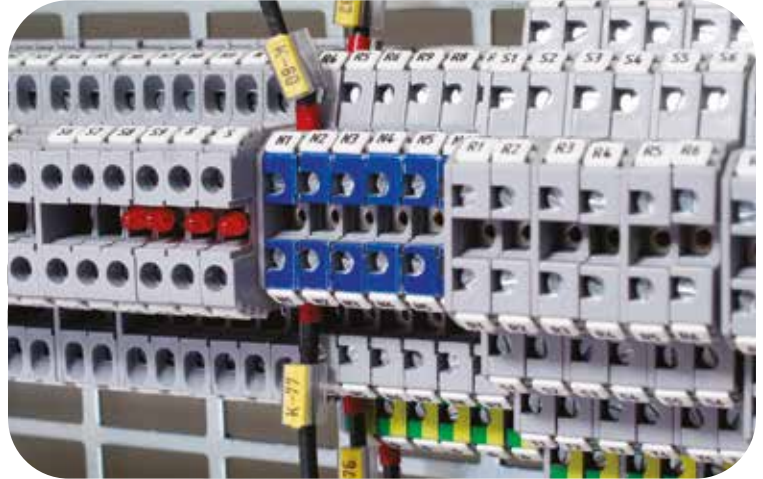
8/3
1/NA
IP 20
DG 10/6, D-NS 12x10, D-NS 14x10, SLF-P1W

5 pcs.

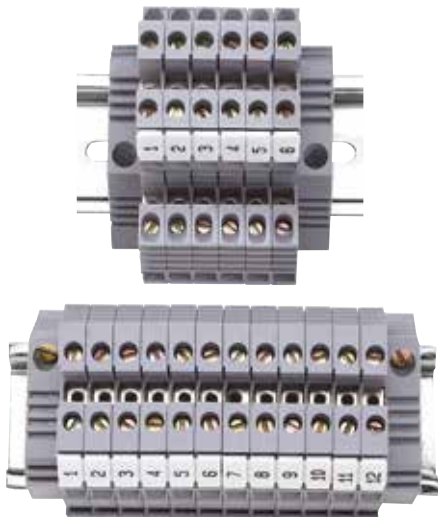
Screw Type Multilevel / Sensor Terminals



PUK Series Screw Connection Sensor Terminals are making sensor connections, which are often used in industry, more practical and esthetic. Provide individual cross connections for each layer, time saving in mounting process. Terminals can be used with NPN and PNP types of sensors. Special Marking solutions for each cross section can be provided by Plotter Labeling.

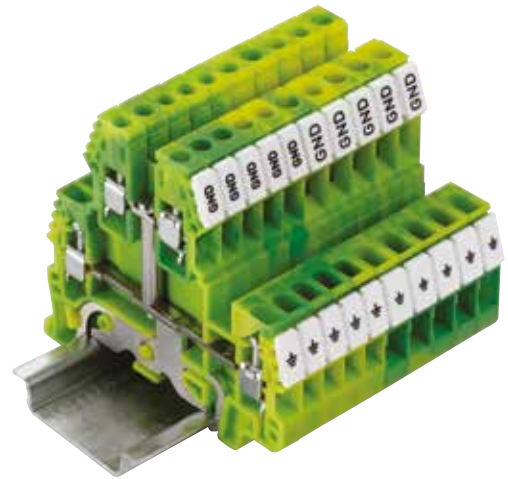
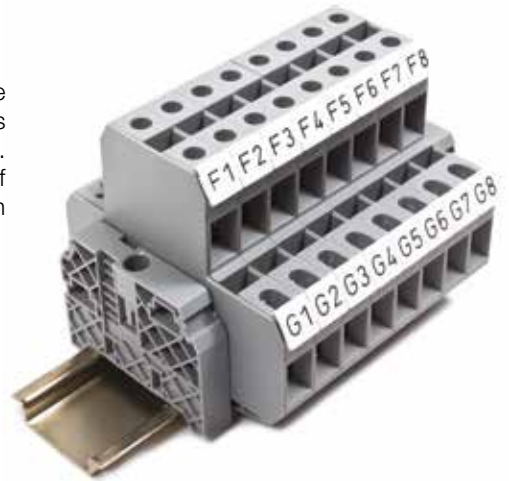
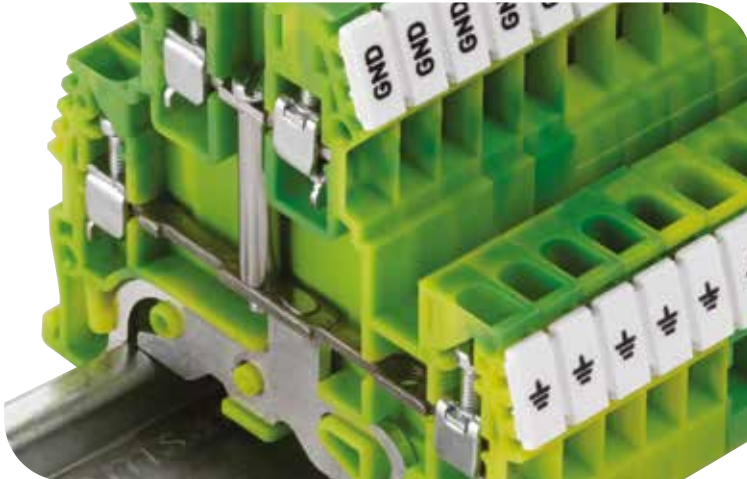


PIK Series Screw Connection Double-Deck Rail Terminals provide 2,5 - 4 - 10 mm² cross-section range. Double wiring density available without extension of mounting rails. Interconnection / shorting can be done at both layers. Special Marking solutions for each cross section can be provided by Plotter Labeling. The color of products can be selected from the color table.



50% space saving

Fine strand wire up to 16 mm² cross-section can be used in panels with limited space. PIK series terminals allow you to make more connections in less space. Usage with Cross Connections gains features of distribution block. Special Marking solutions for each cross section can be provided by Plotter Labeling.



Double Deck Earth Terminals can be used in panels with limited space. Multipole connection on a single block and cross connection on both levels provide practical Earth connection. Special Marking solutions for each cross section can be provided by Plotter Labeling.

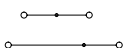


PUK Series Screw Connection Multilevel terminals provides solutions for different users' needs. They are ideal for limited spaces with their compact designs. In panels which exist switch lines & lightening, provide phase-neutral-Earth connection in one terminal. PUK Series are ideal for usage in industries where motors are working a lot, with practical wiring. Cross connection can be used on each level. Special Marking solutions for each cross section can be provided by Plotter Labeling.

Screw Type Double - Deck Terminals

PIK 2,5 N

Width: 5 mm

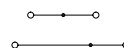


Cat No:

317 109 317 100
317 100

PIK 2,5 RD

Width: 5 mm



Cat No:

325 249 325 241
325 240



Electrical Ratings
CE (EN 60947-7-1)
UL
VDE (IEC 60947-7-1)
CSA
ATEX

Voltage, V ~	Current, A	Cross-Section
500	24	2,5 mm ²
300	20	AWG 26-12
400	19	0,5-2,5 mm ²

Voltage, V ~	Current, A	Cross-Section
500	24	2,5 mm ²

Connection Data
Conductor cross section solid (min.-max.)
Conductor cross section stranded (min.-max.)
2 conductors with same cross section, stranded, TWIN ferrules with plastic sleeve, (min.-max.)
AWG Conductor
Insulation Stripping Length (min.-max.)
Torque (min.-max.)
Screwdriver

0,2-4 mm ²
0,2-4 mm ²
0,5-1,5 mm ²
AWG 24-12
9-10 mm
0,4-0,6 Nm
IKT 3 (0,6x3,5)

0,2-4 mm ²
0,2-4 mm ²
0,5-1,5 mm ²
AWG 24-12
9-10 mm
0,4-0,6 Nm
IKT 3 (0,6x3,5)

Ordering Data

Technical Data For Diode
Diode Voltage
Diode Current
Diode

End Plate

Type	Order No	Qty.
NPP/PIK 2,5-4 N	449 019	25

Type	Order No	Qty.
NPP/PIK 2,5-4 N	449 019	25

Small Partition

Type	Order No	Qty.
AD 1	467 919	100

Cross Connection

Type	Order No	Qty.
UK 2,5/2	474 122	25
UK 2,5/3	474 123	20
UK 2,5/4	474 124	15
UK 2,5/10	474 129	5
UK 2,5/50	474 210	20

Type	Order No	Qty.
UK 2,5/2	476 222	25
UK 2,5/3	476 223	20
UK 2,5/4	476 224	15
UK 2,5/10	476 229	5
UK 2,5/16	474 260	10
UK 2,5/20	474 200	10
UK 2,5/50	476 350	5

Technical Data
Rated Impulse Voltage / Pollution severity
Insulation material group / Gauge pin code according to IEC 60947-1
Protection class / Protection conductor type
Marking Tags (Dekafix)
See pages 326-333 for a list of Dekafix

6/3
1/A3
IP 20 / -
D-NS 5x10, DB 10/5, DG 10/5, DG 10/5T

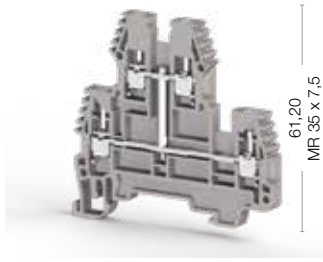
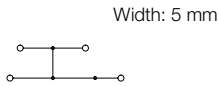
6/3
1/A3
IP 20 / -
D-NS 5x10, DB 10/5, DG 10/5, DG 10/5T

Package Quantity
100 pcs.

100 pcs.

100 pcs.

PIK 2,5 NK



64,00

Cat No:

- 317 129
- 317 121
- 317 120

Voltage, V ~	Current, A	Cross-Section
500	24	2,5 mm ²
300	20	AWG 26-12
400	19	0,5-2,5 mm ²

0,2-4 mm ²
0,2-4 mm ²
0,5-1,5 mm ²
AWG 24-12
9-10 mm
0,4-0,6 Nm
IKT 3 (0,6x3,5)

Type	Order No	Qty.

Type	Order No	Qty.
NPP/PIK 2,5-4 N	449 019	25

Type	Order No	Qty.
AD 1	467 919	100

Type	Order No	Qty.
UK 2,5/2	474 122	25
UK 2,5/3	474 123	20
UK 2,5/4	474 124	15
UK 2,5/10	474 129	5
UK 2,5/50	474 210	20

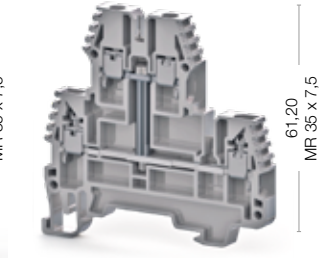
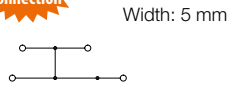
Note: Only lower decks can be cross-connected

6/3
1/A3
IP 20 / -
D-NS 5x10, DB 10/5, DG 10/5, DG 10/5T

20 pcs.



PIK 2,5 RDK



64,00

Cat No:

- 325 259
- 325 250

Voltage, V ~	Current, A	Cross-Section
500	24	2,5 mm ²

0,2-4 mm ²
0,2-4 mm ²
0,5-1,5 mm ²
AWG 24-12
9-10 mm
0,4-0,6 Nm
IKT 3 (0,6x3,5)

Type	Order No	Qty.

Type	Order No	Qty.
NPP/PIK 2,5-4 N	449 019	25

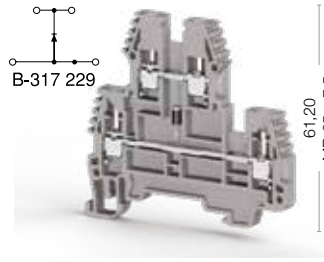
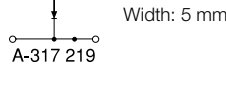
Type	Order No	Qty.
AD 1	467 919	100

Type	Order No	Qty.
UK 2,5/2	474 122	25
UK 2,5/3	474 223	20
UK 2,5/4	476 224	15
UK 2,5/10	476 229	5
UK 2,5/16	474 260	10
UK 2,5/20	474 200	10
UK 2,5/50	476 350	5

6/3
1/A3
IP 20 / -
D-NS 5x10, DB 10/5, DG 10/5, DG 10/5T

100 pcs.

PIK 2,5 ND



64,00

Cat No:

- 317 219
- 317 210

Voltage, V ~	Current, A	Cross-Section
500	1	2,5 mm ²
300	20	AWG 26-12
400	21,5	

0,2-4 mm ²
0,2-4 mm ²
0,5-1,5 mm ²
AWG 24-12
9-10 mm
0,4-0,6 Nm
IKT 3 (0,6x3,5)

Type	Order No	Qty.
PIK 2,5 ND A	317 219	20
PIK 2,5 ND B	317 229	20

Type	Order No	Qty.
NPP/PIK 2,5-4 N	449 019	25

Type	Order No	Qty.
AD 1	467 919	100

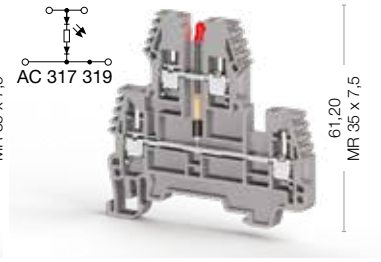
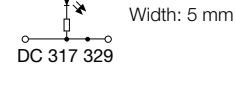
Type	Order No	Qty.
UK 2,5/2	474 122	25
UK 2,5/3	474 123	20
UK 2,5/4	474 124	15
UK 2,5/10	474 129	5
UK 2,5/50	474 210	20

Note: Only lower decks can be cross-connected

6/3
1/A3
IP 20 / -
D-NS 5x10, DB 10/5, DG 10/5, DG 10/5T

20 pcs.

PIK 2,5 NLD



64,00

Cat No:

- 317 319
- 317 310

Voltage, V ~	Current, A	Cross-Section
	24	2,5 mm ²
	20	AWG 26-12
	21,5	

0,2-4 mm ²
0,2-4 mm ²
0,5-1,5 mm ²
AWG 24-12
9-10 mm
0,4-0,6 Nm
IKT 3 (0,6x3,5)

Type	Order No	Qty.
PIK 2,5 NLD (24AC)	317 319	20
PIK 2,5 NLD (24DC)	317 329	20
PIK 2,5 NLD (48AC)	317 419	20
PIK 2,5 NLD (48DC)	317 429	20
PIK 2,5 NLD (110AC)	317 619	20
PIK 2,5 NLD (110DC)	317 629	20
PIK 2,5 NLD (220AC)	317 719	20
PIK 2,5 NLD (220DC)	317 729	20

Type	Order No	Qty.
NPP/PIK 2,5-4 N	449 019	25

Type	Order No	Qty.
AD 1	467 919	100

Type	Order No	Qty.
UK 2,5/2	474 122	25
UK 2,5/3	474 123	20
UK 2,5/4	474 124	15
UK 2,5/10	474 129	5
UK 2,5/50	474 210	20

Note: Only lower decks can be cross-connected

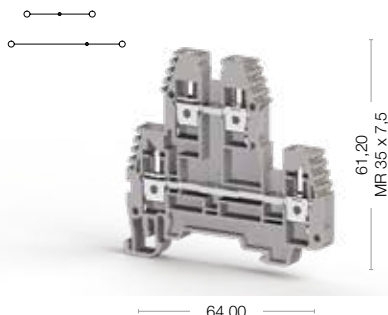
6/3
1/A3
IP 20 / -
D-NS 5x10, DB 10/5, DG 10/5, DG 10/5T

20 pcs.

Screw Type Double - Deck Terminals

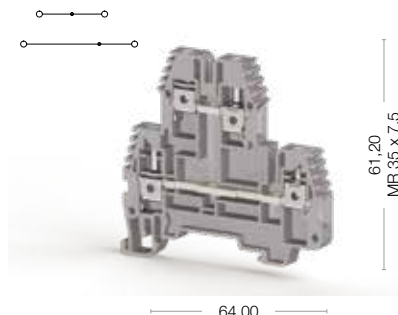
PIK 4 N

Width: 6 mm



PIK 4 RD

Width: 6 mm



Cat No:

- 319 109
- 319 101
- 319 100

Cat No:

- 325 349
- 324 341
- 325 340



Electrical Ratings
CE (EN 60947-7-1)
UL
VDE (IEC 60947-7-1)
CSA
ATEX

Voltage, V ~	Current, A	Cross-Section
500	32	4 mm ²
300	30	AWG 26-10
400	26	0,5-4 mm ²

Voltage, V ~	Current, A	Cross-Section
500	32	4 mm ²

Connection Data
Conductor cross section solid (min.-max.)
Conductor cross section stranded (min.-max.)
2 conductors with same cross section, stranded, TWIN ferrules with plastic sleeve, (min.-max.)
AWG Conductor
Insulation Stripping Length (min.-max.)
Torque (min.-max.)
Screwdriver

0,2-6 mm ²
0,2-6 mm ²
0,5-2,5 mm ²
AWG 24-10
9-10 mm
0,5-0,8 Nm
IKT 3 (0,6x3,5)

0,2-6 mm ²
0,2-6 mm ²
0,5-2,5 mm ²
AWG 24-10
9-10 mm
0,5-0,8 Nm
IKT 3 (0,6x3,5)


Ordering Data

Technical Data For Diode
Diode Voltage
Diode Current
Diode

End Plate


Type	Order No	Qty.
NPP PIK 2,5-4 N	449 019	25

Type	Order No	Qty.
NPP PIK 4 N	449 019	25

Small Partition


Type	Order No	Qty.
AD 1	467 919	100

Cross Connection


Type	Order No	Qty.
UK 4/2	474 132	25
UK 4/3	474 133	20
UK 4/4	474 134	15
UK 4/10	474 139	5
UK 4/20	474 180	5
UK 4/50	474 190	5

Type	Order No	Qty.
UK 4/2	476 232	25
UK 4/3	476 233	20
UK 4/4	476 234	15
UK 4/10	476 239	5
UK 4/50	476 360	5

Technical Data
Rated Impulse Voltage / Pollution severity
Insulation material group / Gauge pin code according to IEC 60947-1
Protection class / Protection conductor type
Marking Tags (Dekafix)
See pages 326-333 for a list of Dekafix

6/3
1/A4
IP 20 / -
D-NS 6x10, DB 10/6, DG 10/6, DG 10/6T

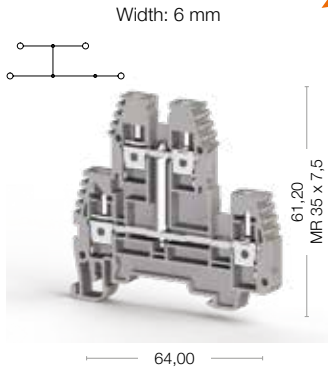
6/3
1/A4
IP 20 / -
D-NS 6x10, DB 10/6, DG 10/6, DG 10/6T

Package Quantity

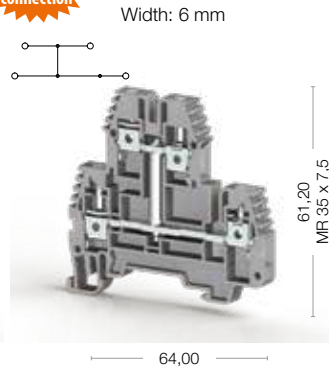
100 pcs.

100 pcs.

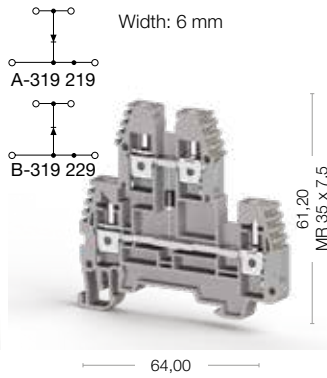
PIK 4 NK



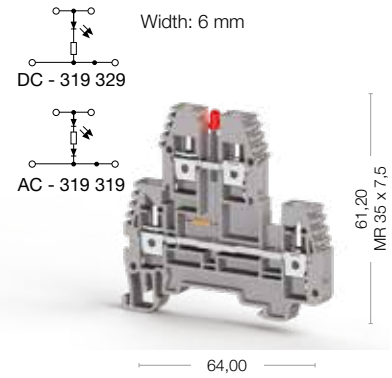
PIK 4 RDK



PIK 4 ND



PIK 4 NLD



Cat No: 319 129 319 121 319 120

Cat No: 325 359 325 350

Cat No: 319 219 319 210

Cat No: 319 319 319 310

Voltage, V ~	Current, A	Cross-Section
500	32	4 mm ²
300	30	AWG 26-10
400	26	05-4 mm ²

Voltage, V ~	Current, A	Cross-Section
500	32	4 mm ²

Voltage, V ~	Current, A	Cross-Section
500	1	4 mm ²
300	30	AWG 26-10

Voltage, V ~	Current, A	Cross-Section
	24	4 mm ²
	30	AWG 26-10

0,2-6 mm ²
0,2-6 mm ²
0,5-2,5 mm ²
AWG 24-10
9-10 mm
0,5-0,8 Nm
IKT 3 (0,6x3,5)

0,2-6 mm ²
0,2-6 mm ²
0,5-2,5 mm ²
AWG 24-10
9-10 mm
0,5-0,8 Nm
IKT 3 (0,6x3,5)

0,2-6 mm ²
0,2-6 mm ²
0,5-2,5 mm ²
AWG 24-10
9-10 mm
0,5-0,8 Nm
IKT 3 (0,6x3,5)

0,2-6 mm ²
0,2-6 mm ²
0,5-2,5 mm ²
AWG 24-10
9-10 mm
0,5-0,8 Nm
IKT 3 (0,6x3,5)

Type	Order No	Qty.

Type	Order No	Qty.

Type	Order No	Qty.
PIK 4 ND A	319 219	20
PIK 4 ND B	319 229	20

Type	Order No	Qty.
PIK 4 NLD (24AC)	319 319	20
PIK 4 NLD (24DC)	319 329	20
PIK 4 NLD (48AC)	319 419	20
PIK 4 NLD (48DC)	319 429	20
PIK 4 NLD (110AC)	319 619	20
PIK 4 NLD (110DC)	319 629	20
PIK 4 NLD (220AC)	319 719	20
PIK 4 NLD (220DC)	319 729	20

1000 V
1 A
1 N 4007

Type	Order No	Qty.
NPP PIK 2,5-4 N	449 019	25

Type	Order No	Qty.
NPP PIK 2,5-4 N	449 019	25

Type	Order No	Qty.
NPP PIK 2,5-4 N	449 019	25

Type	Order No	Qty.
NPP PIK 2,5-4 N	449 019	25

Type	Order No	Qty.
AD 1	467 919	100

Type	Order No	Qty.

Type	Order No	Qty.
AD 1	467 919	100

Type	Order No	Qty.
AD 1	467 919	100

Type	Order No	Qty.
UK 4/2	474 132	25
UK 4/3	474 133	20
UK 4/4	474 134	15
UK 4/10	474 139	5
UK 4/20	474 180	5
UK 4/50	474 190	5

Type	Order No	Qty.
UK 4/2	476 232	25
UK 4/3	476 233	20
UK 4/4	476 234	15
UK 4/10	476 239	5
UK 4/50	476 360	5

Type	Order No	Qty.
UK 4/2	474 132	25
UK 4/3	474 133	20
UK 4/4	474 134	15
UK 4/10	474 139	5
UK 4/20	474 180	5
UK 4/50	474 190	5

Type	Order No	Qty.
UK 4/2	474 132	25
UK 4/3	474 133	20
UK 4/4	474 134	15
UK 4/10	474 139	5
UK 4/20	474 180	5
UK 4/50	474 190	5

Note: Only lower decks can be cross-connected

Note: Only lower decks can be cross-connected

Note: Only lower decks can be cross-connected

Note: Only lower decks can be cross-connected

6/3
1/A4
IP 20 / -
D-NS 6x10, DB 10/6, DG 10/6, DG 10/6T

6/3
1/A4
IP 20 / -
D-NS 6x10, DB 10/6, DG 10/6, DG 10/6T

6/3
1/A4
IP 20 / -
D-NS 6x10, DB 10/6, DG 10/6, DG 10/6T

6/3
1/A4
IP 20 / -
D-NS 6x10, DB 10/6, DG 10/6, DG 10/6T

20 pcs.

100 pcs.

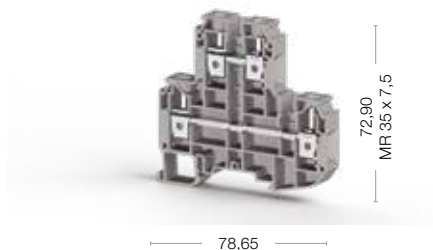
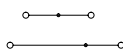
20 pcs.

20 pcs.

Screw Type Double - Deck Terminals

PIK 10 N

Width: 10 mm

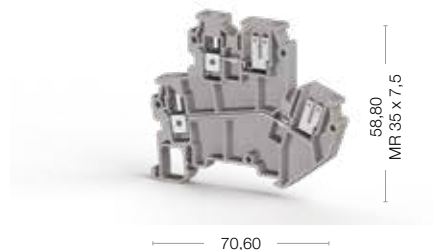
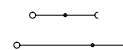


Cat No:

319 909
319 900

PIK 4 FS

Width: 6 mm



Cat No:

319 809
319 800



Electrical Ratings
CE (EN 60947-7-1)
UL
VDE (IEC 60947-7-1)
CSA
ATEX

Voltage, V ~	Current, A	Cross-Section
800	57	10 mm ²
500	50	1,5-16 mm ²

Voltage, V ~	Current, A	Cross-Section
400	20	4 mm ²
400	17	0,5-4 mm ²

Connection Data	
Conductor cross section solid (min.-max.)	1,5-16 mm ²
Conductor cross section stranded (min.-max.)	1,5-16 mm ²
2 conductors with same cross section, stranded, TWIN ferrules with plastic sleeve, (min.-max.)	6 mm ²
AWG Conductor	AWG 16-6
Insulation Stripping Length (min.-max.)	10-12 mm
Torque (min.-max.)	1,2-1,8 Nm
Screwdriver	IKT 4 (0,8x4,0)

Conductor cross section solid (min.-max.)	0,2-4 mm ²
Conductor cross section stranded (min.-max.)	0,2-4 mm ²
2 conductors with same cross section, stranded, TWIN ferrules with plastic sleeve, (min.-max.)	0,5-1,5 mm ²
AWG Conductor	AWG 24-10
Insulation Stripping Length (min.-max.)	9-10 mm
Torque (min.-max.)	0,5-0,8 Nm
Screwdriver	IKT 3 (0,6x3,5)

Conductor cross section solid (min.-max.)	0,2-4 mm ²
Conductor cross section stranded (min.-max.)	0,2-4 mm ²
2 conductors with same cross section, stranded, TWIN ferrules with plastic sleeve, (min.-max.)	0,5-1,5 mm ²
AWG Conductor	AWG 24-10
Insulation Stripping Length (min.-max.)	9-10 mm
Torque (min.-max.)	0,5-0,8 Nm
Screwdriver	IKT 3 (0,6x3,5)

End Plate - Disconnect Plate

Type	Order No	Qty.
NPP/PIK 10 N	449 039	25

Type	Order No	Qty.
NPP/PIK 4 FS	449 029	20

Cross Connection

Type	Order No	Qty.
UK 10/2	474 152	25
UK 10/3	474 153	20
UK 10/4	474 154	15
UK 10/10	474 159	5

Type	Order No	Qty.
UK 4/2	476 232	25
UK 4/3	476 233	20
UK 4/4	476 234	15
UK 4/10	476 239	5

Technical Data	
Rated Impulse Voltage / Pollution severity	8/3
Insulation material group / Gauge pin code according to IEC 60947-1	1/B6
Protection class / Protection conductor type	IP 20 / -
Marking Tags (Dekafix)	DB 5
See pages 326-333 for a list of Dekafix	DB 5

Rated Impulse Voltage / Pollution severity	4/3
Insulation material group / Gauge pin code according to IEC 60947-1	1/A4
Protection class / Protection conductor type	IP 20 / -
Marking Tags (Dekafix)	DB 5
See pages 326-333 for a list of Dekafix	DB 5

Rated Impulse Voltage / Pollution severity	4/3
Insulation material group / Gauge pin code according to IEC 60947-1	1/A4
Protection class / Protection conductor type	IP 20 / -
Marking Tags (Dekafix)	DB 5
See pages 326-333 for a list of Dekafix	DB 5

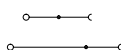
Package Quantity
20 pcs.

20 pcs.

Package Quantity
85 pcs.

FS 4

Width: 6,2 mm

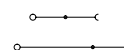


Cat No:

■ 314 009

VFS 4

Width: 6,2 mm



Cat No:

■ 314 019

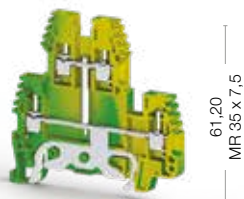
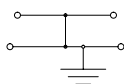


Electrical Ratings	Voltage, V ~	Current, A	Cross-Section	Voltage, V ~	Current, A	Cross-Section
CE (EN 60947-7-1)	800	32	4 mm ²	800	32	4 mm ²
UL						
VDE (IEC 60947-7-1)						
CSA						
ATEX						
Connection Data						
Conductor cross section solid (min.-max.)			0,2-6 mm ²			0,2-6 mm ²
Conductor cross section stranded (min.-max.)			0,2-6 mm ²			0,2-6 mm ²
2 conductors with same cross section, stranded, TWIN ferrules with plastic sleeve, (min.-max.)						0,5-2,5 mm ²
AWG Conductor			AWG 24-10			AWG 24-10
Insulation Stripping Length (min.-max.)						9-10 mm
Torque (min.-max.)						0,5-0,8 Nm
Screwdriver			IKT3 (0,6x3,5)			IKT 3 (0,6x3,5)
End Plate - Disconnect Plate	Type	Order No	Qty.	Type	Order No	Qty.
	NPP/FS	451 419	50	NPP/FS	451 419	50
Cross Connection	Type	Order No	Qty.	Type	Order No	Qty.
Technical Data						
Rated Impulse Voltage / Pollution severity						4/3
Insulation material group / Gauge pin code according to IEC 60947-1						1/A4
Protection class / Protection conductor type			IP 20 / -			IP 20 / -
Marking Tags (Dekafix)						
See pages 326-333 for a list of Dekafix			DG 10/6, DG 10/6T, DB 10/6, D-NS 6x10			DG 10/6, DG 10/6T, DB 10/6, D-NS 6x10
Package Quantity						
			80 pcs.			80 pcs.

Double Deck Earth Terminals

PIK 2,5 NT

Width: 5 mm

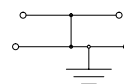


61,20
MR 35 x 7,5

64,00

PIK 4 NT

Width: 6 mm



61,20
MR 35 x 7,5

64,00

Cat No:

336 560

Cat No:

336 570



Electrical Ratings
CE (EN 60947-7-2)
UL
VDE (IEC 60947-7-1)
CSA
ATEX


Voltage, V ~	Current, A	Cross-Section
		2,5 mm ²
		0,5-4 mm ²

Voltage, V ~	Current, A	Cross-Section
		4 mm ²
		0,5-6 mm ²

Connection Data
Conductor cross section solid (min.-max.)
Conductor cross section stranded (min.-max.)
2 conductors with same cross section, stranded, TWIN ferrules with plastic sleeve, (min.-max.)
AWG Conductor
Insulation Stripping Length (min.-max.)
Torque
Screwdriver

	0,2-4 mm ²
	0,2-4 mm ²
	0,5-1,5 mm ²
	AWG 24-12
	9-10 mm
	0,4-0,6 Nm
	IKT 3 (0,6x3,5)

	0,2-6 mm ²
	0,2-6 mm ²
	0,5-2,5 mm ²
	AWG 24-10
	9-10 mm
	0,5-08 Nm
	IKT 3 (0,6x3,5)

End Plate - Disconnect Plate


Type	Order No	Qty.
NPP/PIK 2,5 - 4 NT	449 012T	25

Type	Order No	Qty.
NPP/PIK 2,5 - 4 NT	449 012T	25

Technical Data
Rated Impulse Voltage / Pollution severity
Insulation material group / Gauge pin code according to IEC 60947-1
Protection class / Protection conductor type
Marking Tags (Dekafix)
See pages 326-333 for a list of Dekafix

8/3
1/A3
IP 20 / PE
D-NS 5x10, DB 10/5, DG 10/5, DG 10/5T

8/3
1/A4
IP 20 / PE
D-NS 6x10, DB 10/6, DG 10/6, DG 10/6T

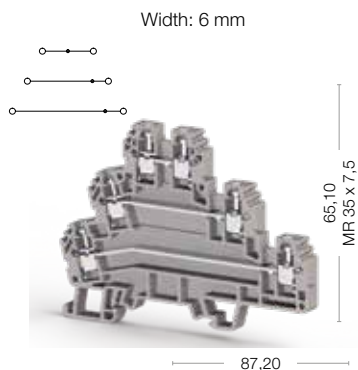
Package Quantity

100 pcs.

100 pcs.

Screw Type Multilevel Terminals

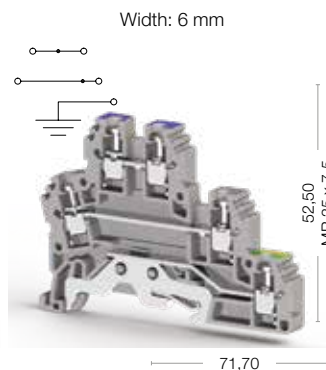
PUK 3



Cat No:

324 109
324 100

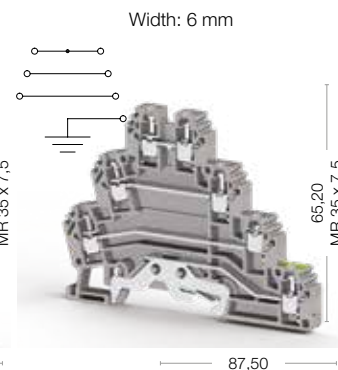
PUK 2 T



Cat No:

324 209
324 200

PUK 3 T



Cat No:

324 309
324 300



Electrical Ratings	Voltage, V ~	Current, A	Cross-Section
CE (EN 60947-7-1 - EN 60947-7-2)	440	24	2,5 mm ²
UL	300	24	AWG 24-12
VDE (IEC 60947-7-1)			
CSA			
ATEX	400	21	0,5-2,5 mm ²

Voltage, V ~	Current, A	Cross-Section
440	24	2,5 mm ²
300	24	AWG 24-12
400	21	0,5-2,5 mm ²

Voltage, V ~	Current, A	Cross-Section
440	24	2,5 mm ²
300	24	AWG 24-12
400	21	0,5-2,5 mm ²

Voltage, V ~	Current, A	Cross-Section
440	24	2,5 mm ²
300	24	AWG 24-12
400	21	0,5-2,5 mm ²

Connection Data	
Conductor cross section solid (min.-max.)	0,2-4 mm ²
Conductor cross section stranded (min.-max.)	0,2-4 mm ²
2 conductors with same cross section, stranded, TWIN ferrules with plastic sleeve, (min.-max.)	0,5-1,5 mm ²
AWG Conductor	AWG 24-12
Insulation Stripping Length (min.-max.)	7-8 mm
Torque (min.-max.)	0,4-0,6 Nm
Screwdriver	IKT 3 (0,6x3,5)

	0,2-4 mm ²
	0,2-4 mm ²
	0,5-1,5 mm ²
	AWG 24-12
	7-8 mm
	0,4-0,6 Nm
	IKT 3 (0,6x3,5)

	0,2-4 mm ²
	0,2-4 mm ²
	0,5-1,5 mm ²
	AWG 24-12
	7-8 mm
	0,4-0,6 Nm
	IKT 3 (0,6x3,5)

	0,2-4 mm ²
	0,2-4 mm ²
	0,5-1,5 mm ²
	AWG 24-12
	7-8 mm
	0,4-0,6 Nm
	IKT 3 (0,6x3,5)



Type	Order No	Qty.
NPP/PUK 3	450 139	10

Type	Order No	Qty.
NPP/PUK 2 T	450 149	10

Type	Order No	Qty.
NPP/PUK 3 T	450 159	10



Type	Order No	Qty.
UK 2,5/2	480 132	25
UK 2,5/3	480 133	20
UK 2,5/4	480 134	15
UK 2,5/10	480 139	5
UK 2,5/35	480 140	5

Type	Order No	Qty.
UK 2,5/2	480 132	25
UK 2,5/3	480 133	20
UK 2,5/4	480 134	15
UK 2,5/10	480 139	5
UK 2,5/35	480 140	5

Type	Order No	Qty.
UK 2,5/2	480 132	25
UK 2,5/3	480 133	20
UK 2,5/4	480 134	15
UK 2,5/10	480 139	5
UK 2,5/35	480 140	5

Note: Only upper decks can be cross-connected

Technical Data	
Rated Impulse Voltage / Pollution severity	6/3
Insulation material group / Gauge pin code according to IEC 60947-1	1/A3
Protection class / Protection conductor type	IP 20 / -
Marking Tags (Dekafix)	
See pages 326-333 for a list of Dekafix	DB 5

	6/3
	1/A3
	IP 20 / PE
	DB 5

	6/3
	1/A3
	IP 20 / PE
	DB 5

	6/3
	1/A3
	IP 20 / PE
	DB 5

Package Quantity	
	20 pcs.

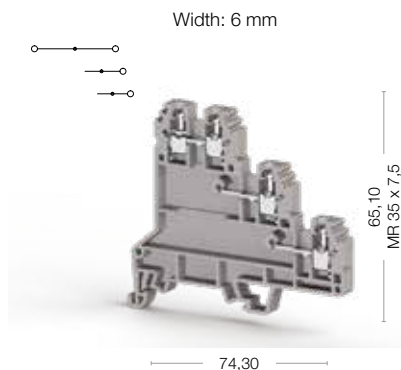
	20 pcs.

	20 pcs.

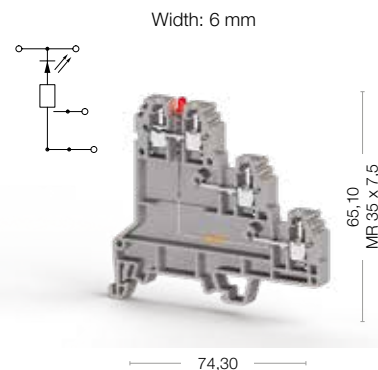
	20 pcs.

Screw Type Sensor Terminals

PUK 3 S



PUK 3 SLD (NPN)



Cat No:

- 324 409
- 324 400

Cat No:

- 324 419
- 324 410



Electrical Ratings
CE (EN 60947-7-1)
UL
VDE (IEC 60947-7-1)
CSA
ATEX

Voltage, V ~	Current, A	Cross-Section
500	24	2,5 mm ²
300	24	AWG 24-12

Voltage, V ~	Current, A	Cross-Section
24	24	2,5 mm ²
300	24	AWG 24-12

Connection Data
Conductor cross section solid (min.-max.)
Conductor cross section stranded (min.-max.)
2 conductors with same cross section, stranded, TWIN ferrules with plastic sleeve, (min.-max.)
AWG Conductor
Insulation Stripping Length (min.-max.)
Torque (min.-max.)
Screwdriver

0,2-4 mm ²
0,2-4 mm ²
0,5-1,5 mm ²
AWG 24-12
7-8 mm
0,4-0,6 Nm
IKT 3 (0,6x3,5)

0,2-4 mm ²
0,2-4 mm ²
0,5-1,5 mm ²
AWG 24-12
7-8 mm
0,4-0,6 Nm
IKT 3 (0,6x3,5)



Type	Order No	Qty.
NPP/PUK 3 S	450 169	10

Type	Order No	Qty.
NPP/PUK 3 S	450 169	10



Type	Order No	Qty.
UK 2,5/2	480 132	25
UK 2,5/3	480 133	20
UK 2,5/4	480 134	15
UK 2,5/10	480 139	5
UK 2,5/35	480 140	5

Type	Order No	Qty.
UK 2,5/2	480 132	25
UK 2,5/3	480 133	20
UK 2,5/4	480 134	15
UK 2,5/10	480 139	5
UK 2,5/35	480 140	5

Technical Data
Rated Impulse Voltage / Pollution severity
Insulation material group / Gauge pin code according to IEC 60947-1
Protection class / Protection conductor type
Marking Tags (Dekafix)
See pages 326-333 for a list of Dekafix

6/3
1/A3
IP 20 / -
DB 5

6/3
1/A3
IP 20 / -
DB 5

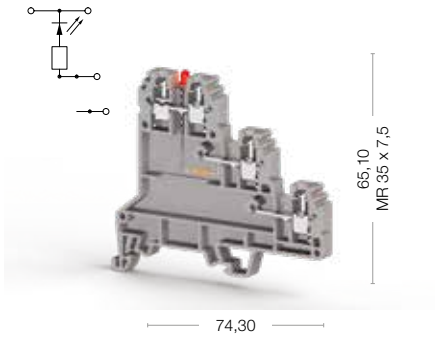
Package Quantity
20 pcs.

20 pcs.

20 pcs.

PUK 3 SLD (PNP)

Width: 6 mm



Cat No:

- 324 429
- 324 420

Voltage, V ~	Current, A	Cross-Section
24	24	2,5 mm ²
300	24	AWG 24-12

0,2-4 mm ²
0,2-4 mm ²
0,5-1,5 mm ²
AWG 24-12
7-8 mm
0,4-0,6 Nm
IKT 3 (0,6x3,5)

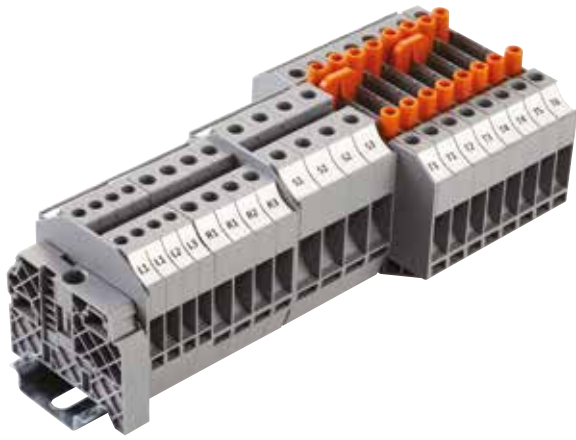
Type	Order No	Qty.
NPP/PUK 3 S	450 169	10

Type	Order No	Qty.
UK 2,5/2	480 132	25
UK 2,5/3	480 133	20
UK 2,5/4	480 134	15
UK 2,5/10	480 139	5
UK 2,5/35	480 140	5

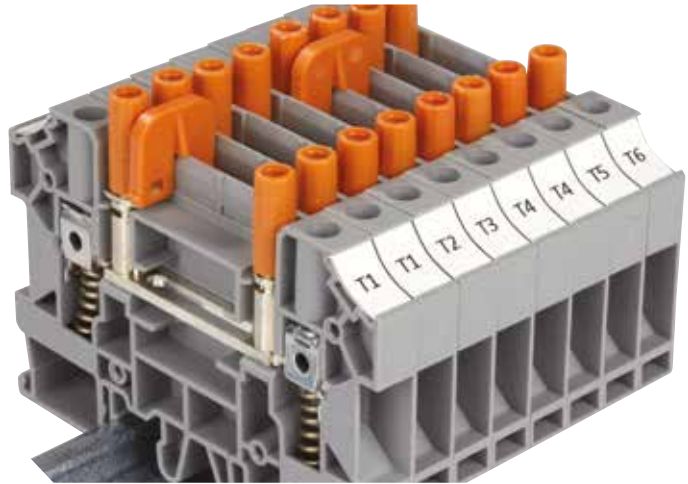
6/3
1/A3
IP 20 / PE
DB 5

20 pcs.

Screw Connection Disconnect / Test and Disconnect / Fuse Terminals

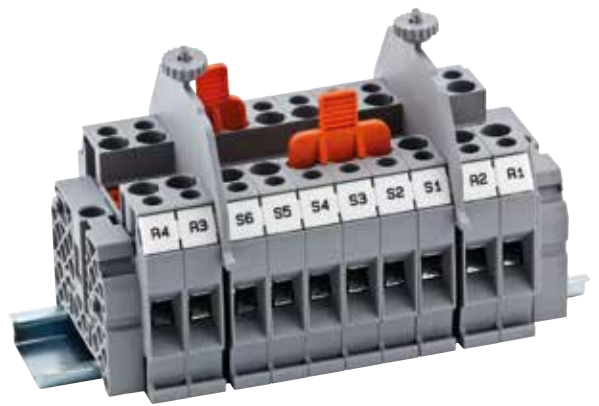
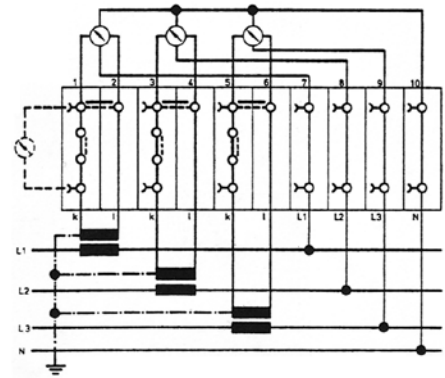


WGO Y Series Test and Disconnect Terminals provide safe connection with spring force under the contact of the terminal block. Practical accessories like sliding cross connection system, isolated Test Sockets, Test Plugs and Comb Connectors are available. Special Marking solutions for each cross section can be provided by Plotter labeling.



Screw Connection Fuse Rail Terminals can be used with glass fuse between 1A...10A. The fuse inside of the terminal is easily mounted and dismantled, and is an ideal solution when there is a necessity to change it even when the power is on in the system. Marking solutions can be provided by Plotter Labeling.

WGO Series Test and Disconnect Terminals are used to perform required tests without switching off the power in the system. These products are installed at the secondary side of current transformers, and thus, electrical ratings can be observed by testing equipment connected to the product. Practical accessories like sliding cross connection system, isolated Test Sockets, Test Plugs and Comb Connectors are available. Special Marking solutions for each cross section can be provided by Plotter labeling.



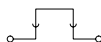
WGO PB series Ring and Fork Type Plug in Terminals provide practical safe connection. For WGO PB series, cable assembly is done with insulated ring type terminals and the terminal blocks have two test sockets. Practical accessories like sliding cross connection system, isolated Test Sockets, Test Plugs and Comb Connectors are available. Special Marking solutions for each cross section can be provided by Plotter labeling.

Knife Disconnect System, enables Screw Connection Disconnect Terminals to switch energy in the system. Marking solutions can be provided by Plotter Labeling.

Disconnect Terminals

ASK 2 B

Width: 8 mm

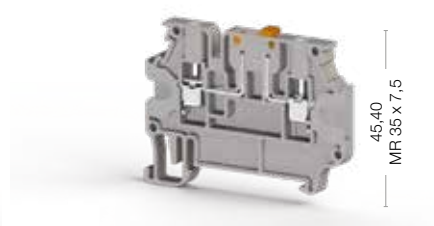
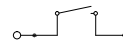


45,00
MR 35 x 7,5

64,20

AVK 2,5 A

Width: 5 mm



45,40
MR 35 x 7,5

58,00

Cat No:

360 119
360 110

Cat No:

304 419
304 410



Electrical Ratings
CE (EN 60947-7-1)
UL
VDE (IEC 60947-7-1)
CSA
ATEX

Voltage, V ~	Current, A	Cross-Section
500	6,3	6 mm ²
300	6,3	AWG 26-8

Voltage, V ~	Current, A	Cross-Section
500	16	2,5 mm ²

Connection Data
Conductor cross section solid (min.-max.)
Conductor cross section stranded (min.-max.)
2 conductors with same cross section, stranded, TWIN ferrules with plastic sleeve, (min.-max.)
AWG Conductor
Insulation Stripping Length (min.-max.)
Torque (min.-max.)
Screwdriver

0,2-10 mm ²
0,2-10 mm ²
0,5-4 mm ²
AWG 24-8
10-12 mm
0,8-1,2 Nm
IKT 3 (0,6x3,5)

0,2-4 mm ²
0,2-4 mm ²
0,5-1,5 mm ²
AWG 24-12
9-10 mm
0,4-0,6 Nm
IKT 3 (0,6x3,5)



Type	Order No	Qty.
NPP/ASK 2	450 049	25

Type	Order No	Qty.
NPP/AVK 2,5 A	450 330	25



Type	Order No	Qty.
UK 2,5/2	476 222	25
UK 2,5/3	476 223	20
UK 2,5/4	476 224	15
UK 2,5/10	476 229	5
UK 2,5/16	474 260	10
UK 2,5/20	474 200	10

Type	Order No	Qty.
UK 2,5/2	476 222	25
UK 2,5/3	476 223	20
UK 2,5/4	476 224	15
UK 2,5/10	476 229	5
UK 2,5/16	474 260	10
UK 2,5/20	474 200	10

Technical Data
Rated Impulse Voltage / Pollution severity
Insulation material group / Gauge pin code according to IEC 60947-1
Protection class / Protection conductor type
Marking Tags (Dekafix)
See pages 326-333 for a list of Dekafix

6/3
1/B5
IP 20 / -
DB 5

6/3
1/A3
IP 20 / -
D-NS 5x10, DB 10/5, DG 10/5, DG 10/5T SLF-P1 W

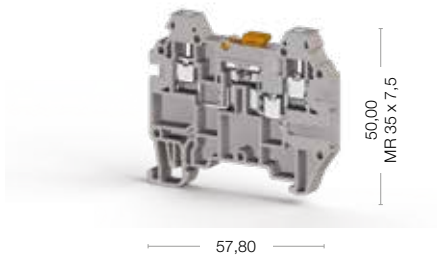
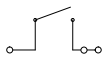
Package Quantity
25 pcs.

25 pcs.

50 pcs.

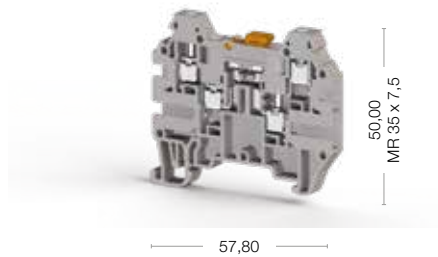
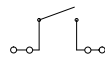
AVK 2,5 EA

Width: 6 mm



AVK 2,5 CCA

Width: 6 mm



Cat No:

- 324 949
- 324 940

Voltage, V ~	Current, A	Cross-Section
400	16	2,5 mm ²

0,2-4 mm ²
0,2-4 mm ²
0,5-1,5 mm ²
AWG 24-12
9-10 mm
0,4-0,6 Nm
IKT 3 (0,6x3,5)

Type	Order No	Qty.
NPP/AVK 2,5 CC	444 139	25

6/3
1/A3
IP 20 / -
D-NS 5x10, DB 10/5, DG 10/5, DG 10/5T

80 pcs.

Cat No:

- 324 939
- 324 930

Voltage, V ~	Current, A	Cross-Section
400	16	2,5 mm ²

0,2-4 mm ²
0,2-4 mm ²
0,5-1,5 mm ²
AWG 24-12
9-10 mm
0,4-0,6 Nm
IKT 3 (0,6x3,5)

Type	Order No	Qty.
NPP/AVK 2,5 CC	444 139	25

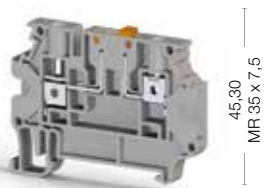
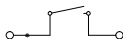
6/3
1/A3
IP 20 / -
D-NS 5x10, DB 10/5, DG 10/5, DG 10/5T

80 pcs.

Disconnect Terminals

AVK 4 A

Width: 6 mm

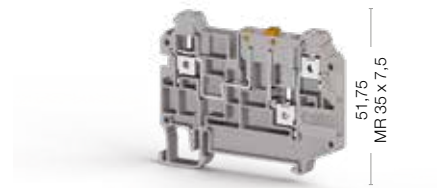


45,30
MR 35 x 7,5

58,00

AVK 4 CEA

Width: 6 mm



51,76
MR 35 x 7,5

65,70

Cat No:

- 304 380
- 304 389

Cat No:

- 325 239
- 325 230



Electrical Ratings
CE (EN 60947-7-1)
UL
VDE (IEC 60947-7-1)
CSA
ATEX

Voltage, V ~	Current, A	Cross-Section
500	20	4 mm ²
300	16	AWG 26-10

Voltage, V ~	Current, A	Cross-Section
500	20	4 mm ²

Connection Data
Conductor cross section solid (min.-max.)
Conductor cross section stranded (min.-max.)
2 conductors with same cross section, stranded, TWIN ferrules with plastic sleeve, (min.-max.)
AWG Conductor
Insulation Stripping Length (min.-max.)
Torque (min.-max.)
Screwdriver

0,2-6 mm ²
0,2-6 mm ²
0,5-2,5 mm ²
AWG 24-10
9-10 mm
0,5-0,8 Nm
IKT 3 (0,6x3,5)


0,2-6 mm ²
0,2-6 mm ²
0,5-2,5 mm ²
AWG 24-10
9-10 mm
0,5-0,8 Nm
IKT 3 (0,6x3,5)

End Plate


Type	Order No	Qty.
NPP/AVK 4 R-A	450 330	25

Type	Order No	Qty.
NPP/AVK 4CEA	450 349	25

Technical Data For Diode
Diode Voltage
Diode Current
Diode

Push-in Cross Connection


Type	Order No	Qty.
UK 4/2	476 232	25
UK 4/3	476 233	20
UK 4/4	476 234	15
UK 4/10	476 239	5

Type	Order No	Qty.
UK 4/2	476 232	25
UK 4/3	476 233	20
UK 4/4	476 234	15
UK 4/10	476 239	5

Technical Data
Rated Impulse Voltage / Pollution severity
Insulation material group / Gauge pin code according to IEC 60947-1
Protection class / Protection conductor type
Marking Tags (Dekafix)
See pages 326-333 for a list of Dekafix

6/3
1/A4
IP 20 / -
DB 10/6, DG 10/6T, D-NS 6x10, SLF-P1W

6/3
1/A4
IP 20 / -
D-NS 6x10, DB 10/6, DG 10/6, DG 10,6T

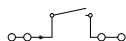
Package Quantity

50 pcs.

50 pcs.

AVK 4 CCA

Width: 6 mm



65,70

51,75
MR 35 x 7,5

Cat No:

325 219
325 210

Voltage, V ~	Current, A	Cross-Section
500	20	4 mm ²
	0,2-6 mm ²	
	0,2-6 mm ²	
	0,5-2,5 mm ²	
	AWG 24-10	
	9-10 mm	
	0,5-0,8 Nm	
	IKT 3 (0,6x3,5)	

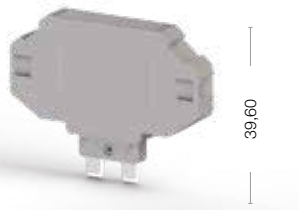
Type	Order No	Qty.
NPP/AVK 4CCA	450 349	25

Type	Order No	Qty.
UK 4/2	476 232	25
UK 4/3	476 233	20
UK 4/4	476 234	15
UK 4/10	476 239	5

6/3		
1/A4		
IP 20 / -		
D-NS 6x10, DB 10/6, DG 10/6, DG 10,6T		
50 pcs.		

AVK AS

Width: 5,80 mm



30,00

39,60

Cat No:

498 959
498 950

Voltage, V ~	Current, A	Cross-Section
400	16	2,5 mm ²
	0,2-4 mm ²	
	0,2-4 mm ²	
	0,5-1,5 mm ²	
	AWG 24-12	
	6-7 mm	
	0,4-0,6 Nm	
	IKT 3 (0,6x3,5)	

6/3		
1/A3		
IP 20 / PE		
DB 5, DB 10/6, DG 10/6, DG 10/6T, D-NS 6x10		
50 pcs.		

AVK ASD

Width: 5,80 mm



30,00

39,60

Cat No:

499 059
499 050

Voltage, V ~	Current, A	Cross-Section
400	1	2,5 mm ²
	0,2-4 mm ²	
	0,2-4 mm ²	
	0,5-1,5 mm ²	
	AWG 24-12	
	6-7 mm	
	0,4-0,6 Nm	
	IKT 3 (0,6x3,5)	

	1000V	
	1A	
	1 N 4007	

6/3		
1/A3		
IP 20 / PE		
DB 5, DB 10/6, DG 10/6, DG 10/6T, D-NS 6x10		
50 pcs.		

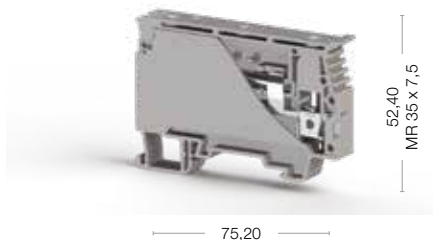
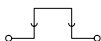
NOTE: AVK ASD is just used with AVK 4A, AVK 4CEA and AVK 4CCA terminal blocks.

NOTE: AVK ASD is just used with AVK 4A, AVK 4CEA and AVK 4CCA terminal blocks.

Disconnect Terminals

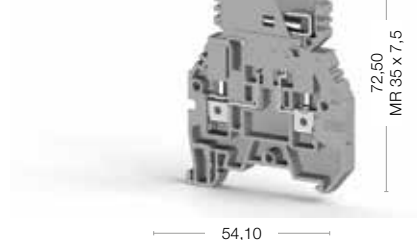
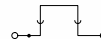
ASK 4 B

Width: 10 mm



ASK 3 FB

Width: 6,2 mm



Cat No:

- 360 129
- 360 120

Cat No:

- 362 009
- 362 000



Electrical Ratings
CE (EN 60947-7-1)
UL
VDE (IEC 60947-7-1)
CSA
ATEX

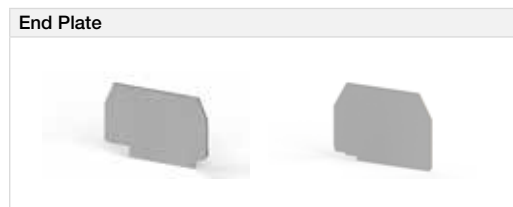
Voltage, V ~	Current, A	Cross-Section
750	6,3	6 mm ²
600	6,3	AWG 22-8

Voltage, V ~	Current, A	Cross-Section
500	16	4 mm ²

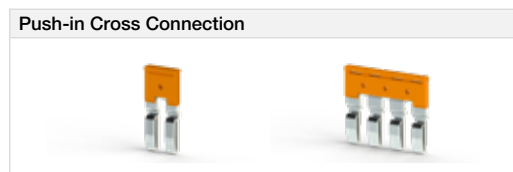
Connection Data
Conductor cross section solid (min.-max.)
Conductor cross section stranded (min.-max.)
2 conductors with same cross section, stranded, TWIN ferrules with plastic sleeve, (min.-max.)
AWG Conductor
Insulation Stripping Length (min.-max.)
Torque (min.-max.)
Screwdriver

0,34-10 mm ²
0,34-10 mm ²
0,5-4 mm ²
AWG 22-8
9-10 mm
0,5-0,8 Nm
IKT 3 (0,6x3,5)

0,2-6 mm ²
0,2-6 mm ²
0,5-2,5 mm ²
AWG 24-10
9-10 mm
0,5-0,8 Nm
IKT 3 (0,6x3,5)



Type	Order No	Qty.
NPP/ASK 3	450 059	10



UK 4/2	476 232	25
UK 4/3	476 233	20
UK 4/4	476 234	15

Technical Data
Rated Impulse Voltage / Pollution severity
Insulation material group / Gauge pin code according to IEC 60947-1
Protection class / Protection conductor type
Marking Tags (Dekafix)
See pages 326-333 for a list of Dekafix

6/3
1/B5
IP 20 / -
D-NS 8x10, DG 10/8

6/3
1/A4
IP 20 / -
DB 5, DB 10/6, D-NS 6x10, DG 10x6T

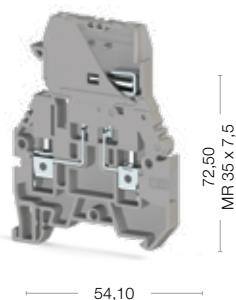
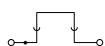
Package Quantity
20 pcs.

20 pcs.

20 pcs.

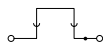
ASK 3 MB

Width: 6,2 mm



ASK 5 B

Width: 8 mm



Cat No:

363 009
363 000

Voltage, V ~	Current, A	Cross-Section
500	16	4 mm ²

0,2-6 mm ²
0,2-6 mm ²
0,5-2,5 mm ²
AWG 24-10
9-10 mm
0,5-0,8 Nm
IKT 3 (0,6x3,5)

Type	Order No	Qty.
NPP/ASK 3	450 059	10

Type	Order No	Qty.
UK 4/2	476 232	25
UK 4/3	476 233	20
UK 4/4	476 234	15

6/3
1/A4
IP 20 / -
DB 5, DB 10/6, D-NS 6x10, DG 10x6T

20 pcs.

Cat No:

353 419
353 410

Voltage, V ~	Current, A	Cross-Section
500	10	4 mm ²

0,2-6 mm ²
0,2-6 mm ²
0,5-2,5 mm ²
AWG 24-10
8-9 mm
0,5-0,8 Nm
IKT 3 (0,6x3,5)

Type	Order No	Qty.

Type	Order No	Qty.
UK 6/2	476 242	25
UK 6/3	476 243	20
UK 6/4	476 244	15
UK 6/10	476 249	5

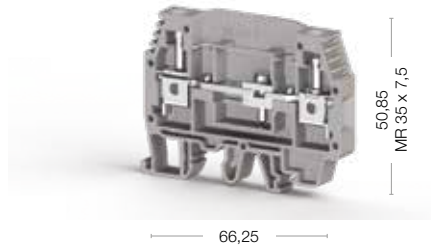
6/3
1/A4
IP 20 / -
D-NS 8x10, DG 10/8

50 pcs.

WGO Series Test / Disconnect Terminals

WGO 1

Width: 8 mm

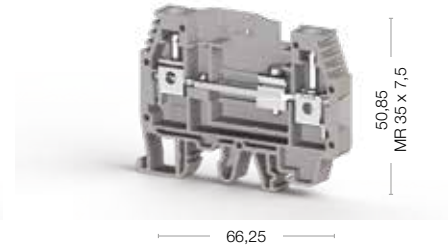
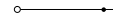


Cat No:

370 590
370 500

WGL 1

Width: 8 mm



Cat No:

375 790
375 700



Electrical Ratings
CE (EN 60947-7-1)
UL
VDE (IEC 60947-7-1)
CSA
ATEX

Voltage, V ~	Current, A	Cross-Section
400	41	6 mm ²
300	50	AWG 20-8
250	36	1,5-6 mm ²

Voltage, V ~	Current, A	Cross-Section
400	41	6 mm ²
300	50	AWG 20-8
400	36	0,5-10 mm ²

Connection Data
Conductor cross section solid (min.-max.)
Conductor cross section stranded (min.-max.)
2 conductors with same cross section, stranded, TWIN ferrules with plastic sleeve, (min.-max.)
AWG Conductor
Insulation Stripping Length (min.-max.)
Torque (min.-max.)
Screwdriver

0,2-10 mm ²
0,2-10 mm ²
0,5-4 mm ²
AWG 24-8
10-12 mm
0,8-1,2 Nm
IKT 4 (0,8x4,0)

0,2-10 mm ²
0,2-10 mm ²
0,5-4 mm ²
AWG 24-8
10-12 mm
0,8-1,2 Nm
IKT 4 (0,8x4,0)

Ordering Data
Without Socket - Beige / Grey
One Socket - Beige / Grey
Double Socket - Beige / Grey
One Test Socket - Beige / Grey
Double Test Socket - Beige / Grey

Type	Order No	Qty.
WGO 1	370 500 - 590	60
WGO 1	370 501 - 591	60
WGO 1	370 503 - 593	60
WGO 1	370 502 - 592	60

Type	Order No	Qty.
WGL 1	375 700 - 790	60
WGL 1	375 701 - 791	60
WGL 1	375 702 - 792	60

End Plate

Type	Order No	Qty.
NPP/WGO 1	450 109	25

Type	Order No	Qty.
NPP/WGO 1	450 109	25

Cross Connection

Type	Order No	Qty.
IZUK 6/2	476 302	10
IZUK 6/3	476 303	10
IZUK 6/4	476 304	10
IZUK 6/6	476 306	10
IZUK 6/10	476 309	5
WGO UAA	498 300	1

Type	Order No	Qty.
IZUK 6/2	476 302	10
IZUK 6/3	476 303	10
IZUK 6/4	476 304	10
IZUK 6/6	476 306	10
IZUK 6/10	476 309	5
WGO UAA	498 300	1

Test Plug
suitable for test socket types

Type	Order No	Qty.
TF (Ø4)	493 050	10

Type	Order No	Qty.
TF (Ø4)	493 050	10

Comb Connector

Type	Order No	Qty.
TKO 6/2	476 282	25
TKO 6/3	476 283	20
TKO 6/4	476 284	15
TKO 6/10	476 289	5

Type	Order No	Qty.
TKO 6/2	476 282	25
TKO 6/3	476 283	20
TKO 6/4	476 284	15
TKO 6/10	476 289	5

Technical Data
Rated Impulse Voltage / Pollution severity
Insulation material group / Gauge pin code according to IEC 60947-1
Protection class / Protection conductor type

6/3
1/B5
IP 20 / -

6/3
1/B5
IP 20 / -

Marking Tags (Dekafix)
See pages 326-333 for a list of Dekafix

D-NS 8x10, DG 10/8

D-NS 8x10, DG 10/8

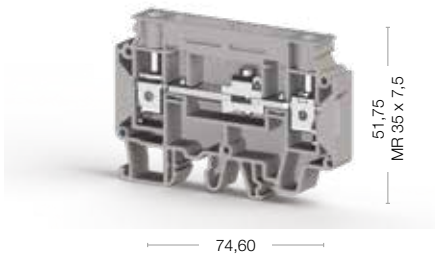
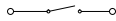
Package Quantity
60 pcs.

60 pcs.

60 pcs.

WGO 2 N

Width: 10 mm



51,75
MR 35 x 7,5

74,60

Cat No:

- 375 890
- 375 800

Voltage, V ~	Current, A	Cross-Section
400	57	10 mm ²
400	50	1,5-16 mm ²
	0,5-16 mm ²	
	0,5-16 mm ²	
	0,5-6 mm ²	
	AWG 20-6	
	10-12 mm	
	1,2-1,8 Nm	
	IKT 4 (0,8x4,0)	

Type	Order No	Qty.
WGO 2 N	375 800 - 890	50
WGO 2 N	375 801 - 891	50
WGO 2 N	375 804 - 894	50
WGO 2 N	375 803 - 893	50
WGO 2 N	375 802 - 892	50

Type	Order No	Qty.
NPP/WGO 2 N	450 230	25

Type	Order No	Qty.
IZUK 10/2	476 402	10
IZUK 10/3	476 403	10
IZUK 10/4	476 404	10
IZUK 10/6	476 406	10
IZUK 10/10	476 409	5

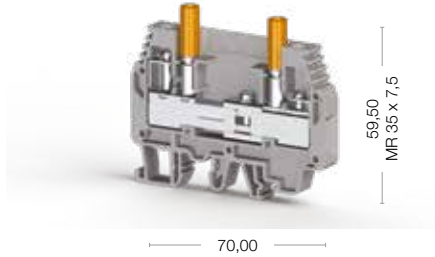
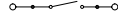
Type	Order No	Qty.
TF (Ø4)	493 050	10

Type	Order No	Qty.
TKO 10/2	476 292	25
TKO 10/3	476 293	20
TKO 10/4	476 294	15
TKO 10/10	476 299	5

4/3		
1/B6		
IP 20 / -		
D-NS 10x10, DG 10/10, SLF-P1 W		
50 pcs.		

WGO 3

Width: 8 mm



59,50
MR 35 x 7,5

70,00

Cat No:

- 375 692
- 375 602

Voltage, V ~	Current, A	Cross-Section
400	41	6 mm ²
300	43	AWG 20-8
250	36	1,5-6 mm ²
	0,2-10 mm ²	
	0,2-10 mm ²	
	0,5-4 mm ²	
	AWG 24-8	
	10-12 mm	
	0,8-1,2 Nm	
	IKT 4 (0,8x4,0)	

Type	Order No	Qty.
WGO 3	375 600 - 690	50
WGO 3	375 601 - 691	50
WGO 3	375 604 - 694	50
WGO 3	375 603 - 693	50
WGO 3	375 602 - 692	50

Type	Order No	Qty.
NPP/WGO 3	450 229	25
NPP/WGO 3	450 220	25

Type	Order No	Qty.
IZUK 6/2	476 302	10
IZUK 6/3	476 303	10
IZUK 6/4	476 304	10
IZUK 6/6	476 306	10
IZUK 6/10	476 309	5
WGO UAA	498 300	1

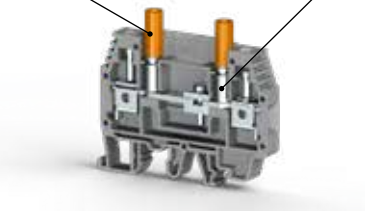
Type	Order No	Qty.
TF (Ø4)	493 050	10

Type	Order No	Qty.
TKO 6/2	476 282	25
TKO 6/3	476 283	20
TKO 6/4	476 284	15
TKO 6/10	476 289	5

6/3		
1/B5		
IP 20 / -		
D-NS 8x10, DG 10/8		
50 pcs.		

Socket Selections

Test Socket Socket



Without Socket



Single Socket



Double Socket



Single Test Socket



Double Test Socket

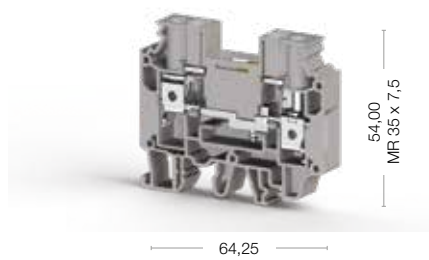
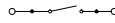
WGO Series

Test / Disconnect

Terminals

WGO 2 IR

Width: 10 mm

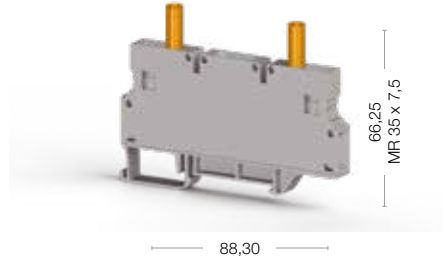
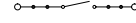


Cat No:

375 909
375 900

WGO 4

Width: 8 mm



Cat No:

376 090
376 000



Electrical Ratings
CE (EN 60947-7-1)
UL
VDE (IEC 60947-7-1)
CSA
ATEX

Voltage, V ~	Current, A	Cross-Section
500	57	10 mm ²
400	50	1,5-10 mm ²

Voltage, V ~	Current, A	Cross-Section
1000	41	6 mm ²
400	36	0,5-10 mm ²

Connection Data
Conductor cross section solid (min.-max.)
Conductor cross section stranded (min.-max.)
2 conductors with same cross section, stranded, TWIN ferrules with plastic sleeve, (min.-max.)
AWG Conductor
Insulation Stripping Length (min.-max.)
Torque (min.-max.)
Screwdriver

0,5-16 mm ²
0,5-16 mm ²
0,5-6 mm ²
AWG 20-6
10-12 mm
1,2-1,8 Nm
IKT 4 (0,8x4,0)

0,2-10 mm ²
0,2-10 mm ²
0,5-4 mm ²
AWG 24-8
10-12 mm
0,8-1,0 Nm
IKT 4 (0,8x4,0)

Ordering Data
Without Socket - Beige / Grey
One Socket - Beige / Grey
Double Socket - Beige / Grey
One Test Socket - Beige / Grey
Double Test Socket - Beige / Grey

Type	Order No	Qty.
WGO 2 IR	375 900 - 909	50

Type	Order No	Qty.
WGO 4 (GREY)	376 091	50
WGO 4 (Grey)	376 090	50

End Plate
Grey
Beige

Type	Order No	Qty.
NPP/WGO 2 IR	450 249	25

Type	Order No	Qty.
------	----------	------

Cross Connection

Type	Order No	Qty.
IZUK 10W/2	476 502	10
IZUK 10W/3	476 503	10
IZUK 10W/4	476 504	10
IZUK 10W/6	476 506	10
IZUK 10W/10	476 509	5

Type	Order No	Qty.
IZUK 6/2	476 302	10
IZUK 6/3	476 303	10
IZUK 6/4	476 304	10
IZUK 6/6	476 306	10
IZUK 6/10	476 309	5

Test Plug

Type	Order No	Qty.
TF (Q4)	493 050	10

Type	Order No	Qty.
TF (Ø4)	493 050	10

Comb Connector

Type	Order No	Qty.
TKO 10/2	476 292	25
TKO 10/3	476 293	20
TKO 10/4	476 294	15
TKO 10/10	476 299	5

Type	Order No	Qty.
UK 6/2	476 242	25
UK 6/3	476 243	20
UK 6/4	476 244	15
UK 6/10	476 249	5

Technical Data
Rated Impulse Voltage / Pollution severity
Insulation material group / Gauge pin code according to IEC 60947-1
Protection class / Protection conductor type
Marking Tags (Dekafix)
See pages 326-333 for a list of Dekafix

6/3
1/B6
IP 20 / -
D-NS 10x10, DG 10/10, SLF-P1 W

6/3
1/B5
IP 20 / -
D-NS 8x10, DG 10/8, SLF-P1 W

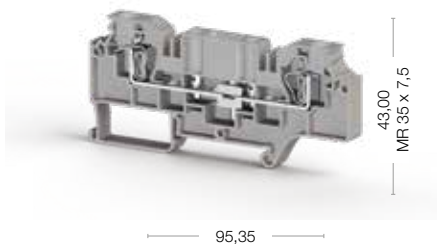
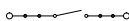
Package Quantity
50 pcs.

50 pcs.

50 pcs.

WGO 5

Width: 8 mm



Cat No:

- 376 190
- 376 100

Voltage, V ~	Current, A	Cross-Section
500	41	6 mm ²

0,2-10 mm ²		
0,2-6 mm ²		
1,5 mm ²		
AWG 24-8		
10-12 mm		
0,8-1,2 Nm		
KT 4 (0,8x4,0)		

Type	Order No	Qty.
NPP/WGO 5	450 359	25
APP/WGO 5	463 219	25
Cover WGO 5	498 260	1 meter

Type	Order No	Qty.
UK 6/2	476 242	25
UK 6/3	476 243	20
UK 6/4	476 244	15
UK 6/10	476 249	5

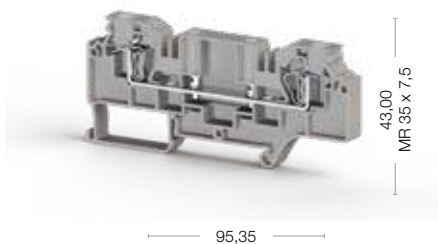
Type	Order No	Qty.
TF (Ø4)	493 050	10

6/3		
1/A5		
IP 20 / -		
D-NS 8x10, DG 10/8, SLF-P1 W		

40 pcs.

WGO D5

Width: 8 mm



Cat No:

- 376 290
- 376 200

Voltage, V ~	Current, A	Cross-Section
500	41	6 mm ²

0,2-10 mm ²		
0,2-6 mm ²		
1,5 mm ²		
AWG 24-8		
10-12 mm		
0,8-1,2 Nm		
KT 4 (0,8x4,0)		

Type	Order No	Qty.
NPP/WGO 5	450 359	25
APP/WGO 5	463 219	25

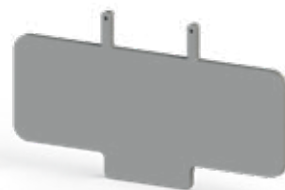
Type	Order No	Qty.
UK 6/2	476 242	25
UK 6/3	476 243	20
UK 6/4	476 244	15
UK 6/10	476 249	5

Type	Order No	Qty.
TF (Ø4)	493 050	10

6/3		
1/A5		
IP 20 / -		
D-NS 8x10 SLF-P1 W, DG 10/8		

40 pcs.

APP/WGO 5 - Order No: 463 219

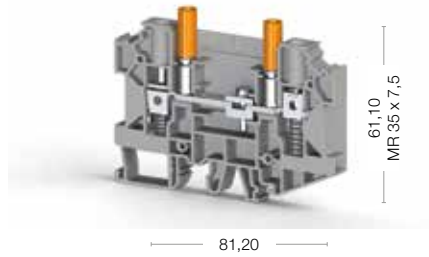
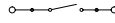


Protection Cover for WGO 5 - Order No: 498 260

WGO Y Series Test / Disconnect Terminals

WGO Y 6

Width: 8 mm

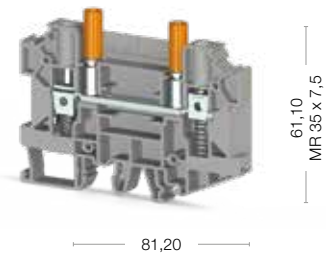


Cat No:

375 919
375 910

WGO YD 6

Width: 8 mm



Cat No:

375 929
375 920



Electrical Ratings
CE (EN 60947-7-1)
UL
VDE (IEC 60947-7-1)
CSA
ATEX


Voltage, V ~	Current, A	Cross-Section
1000	41	6 mm ²
1000	41	6 mm ²
500	36	0,5-10 mm ²

Voltage, V ~	Current, A	Cross-Section
1000	41	6 mm ²
1000	41	6 mm ²
500	36	0,5-10 mm ²

Connection Data
Conductor cross section solid (min.-max.)
Conductor cross section stranded (min.-max.)
2 conductors with same cross section, stranded, TWIN ferrules with plastic sleeve, (min.-max.)
AWG Conductor
Insulation Stripping Length (min.-max.)
Torque (min.-max.)
Screwdriver

0,2-10 mm ²
0,2-10 mm ²
0,5-4 mm ²
AWG 24-8
10-12 mm
0,8-1,2 Nm
IKT 4 (0,8x4,0)

0,2-10 mm ²
0,2-10 mm ²
0,5-4 mm ²
AWG 24-8
10-12 mm
0,8-1,2 Nm
IKT 4 (0,8x4,0)

End Plate	
	Grey Beige


Type	Order No	Qty.
NPP/WGO Y 6	450 279	25
NPP/WGO Y 6	450 270	25

Type	Order No	Qty.
NPP/WGO YD 6	450 279	25
NPP/WGO YD 6	450 270	25

Cross Connection


Type	Order No	Qty.
IZUK 6/2	476 302	10
IZUK 6/3	476 303	10
IZUK 6/4	476 304	10
IZUK 6/6	476 306	10
IZUK 6/10	476 309	5
WGO UAA	498 300	1

Type	Order No	Qty.
IZUK 6/2	476 302	10
IZUK 6/3	476 303	10
IZUK 6/4	476 304	10
IZUK 6/6	476 306	10
IZUK 6/10	476 309	5
WGO UAA	498 300	1

Test Plug


Type	Order No	Qty.
TF (Q4)	493 050	10

Type	Order No	Qty.
TF (Q4)	493 050	10

Technical Data
Rated Impulse Voltage / Pollution severity
Insulation material group / Gauge pin code according to IEC 60947-1
Protection class / Protection conductor type
Marking Tags (Dekafix)
See pages 326-333 for a list of Dekafix

6/3
1/B5
IP 20 / -
D-NS 8x10, DG 10/8, SLF-P1 W

6/3
1/B5
IP 20 / -
D-NS 8x10, DG 10/8, SLF-P1 W

Package Quantity
48 pcs.

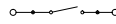
48 pcs.

48 pcs.

WGO PB Series Test / Disconnect Terminals

WGO PB 6/NM

Width: 11 mm

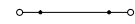


Cat No:

308 069
308 060

WGO PBD 6/NM

Width: 11 mm



Cat No:

308 079
308 070



Electrical Ratings
CE (EN 60947-7-1)
UL
VDE (IEC 60947-7-1)
CSA
ATEX

Voltage, V ~	Current, A	Cross-Section
1000	41	6 mm ²
600	45	AWG 22-8
1000	41	6 mm ²
600	45	AWG 22-8
630	36	0,5-6 mm ²

Voltage, V ~	Current, A	Cross-Section
1000	41	6 mm ²
600	45	AWG 22-8
600	45	AWG 22-8

Connection Data
Conductor cross section solid (min-max.)
Conductor cross section stranded (min.-max.)
AWG Conductor
Torque
Hole Diameter
Bolt Diameter
Screwdriver

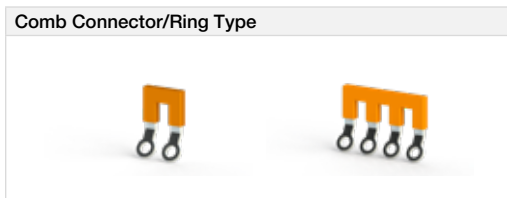
0,5-6 mm ²
0,5-6 mm ²
AWG 22-8
0,8-1,2 Nm
4,2 mm
4 mm
IKT 5 (1,0x5,5)

0,5-6 mm ²
0,5-6 mm ²
AWG 22-8
0,8-1,2 Nm
4,2 mm
4 mm
IKT 5 (1,0x5,5)



Type	Order No	Qty.
NPP/WGO PB 6	451 009	25
APP/WGO PB 6	464 019	25

Type	Order No	Qty.
NPP/WGO PB 6	451 009	25
APP/WGO PB 6	464 019	25



Type	Order No	Qty.
TKO PB 6/2	479 002	25
TKO PB 6/3	479 003	20
TKO PB 6/4	479 004	15
TKO PB 6/7	479 007	5
TKO PB 6/10	479 009	5

Type	Order No	Qty.
TKO PB 6/2	479 002	25
TKO PB 6/3	479 003	20
TKO PB 6/4	479 004	15
TKO PB 6/7	479 007	5
TKO PB 6/10	479 009	5

Test Plug

Technical Data

Rated Impulse Voltage / Pollution severity	6/3
Insulation material group / Gauge pin code according to IEC 60947-1	1/NA
Protection class / Protection conductor type	IP 20 / -
Marking Tags (Dekafix)	
See pages 326-333 for a list of Dekafix	D-NS 8x10, DG 10/8

6/3
1/NA
IP 20 / -
D-NS 8x10, DG 10/8

8/3
1/NA
IP 20 / -
D-NS 8x10, DG 10/8

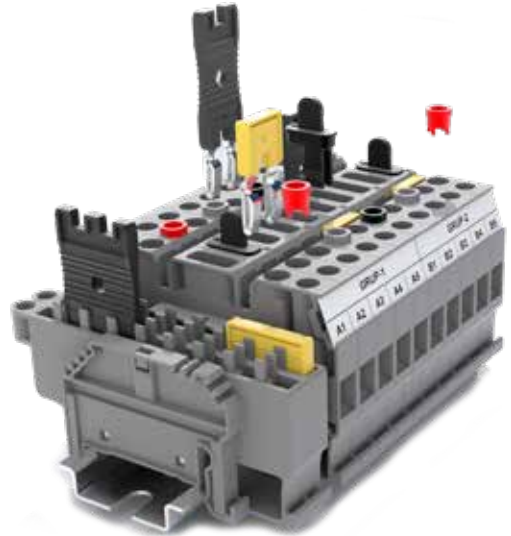
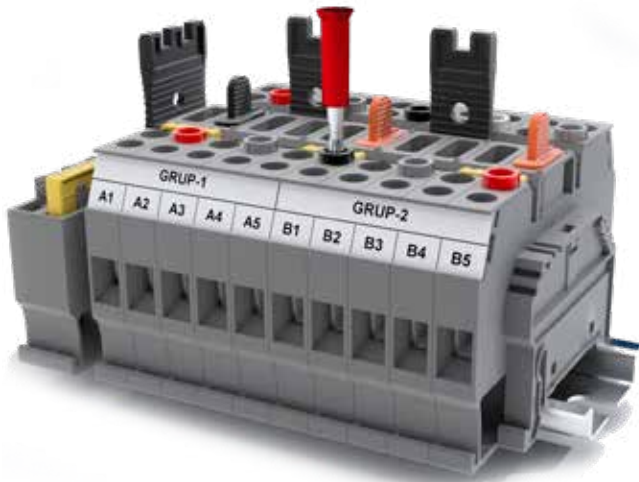
25 pcs.

25 pcs.

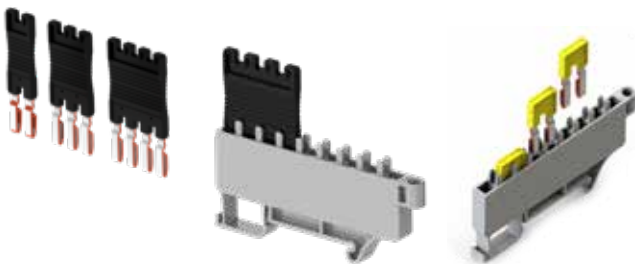
25 pcs.

WGO 6 Test and Disconnect Terminals

Complying EN 45545-2 European railway standard for fire safety classes R22-R23-R24-R26 for HL 1 – HL 2 –HL 3



- 6mm² Closed Type Test and Disconnect Terminal Block, no need for an extra end plate usage.
- Insulation Material V0 PA complied with UL 94
- Suitable for 4mm diameter test plug with preformed self socket. No need for a socket and test socket model selection, test plug can be inserted directly.
- Test Socket color coding is possible thanks to WGO 6KP coding plastics.
- WGO 6PK ensures the Sliding Disconnect Bridge safety with exact positioning. When the circuit is disconnected, you can use WGO 6PK as a safety isolation to prevent unexpected tripping and arcing.
- Suitable for 11.2mm marking strip.
- Din rail mounted ATCS 6 cross connection holder prevents possible accessory loss for SCS 6 and CS 6, when they are not in use.

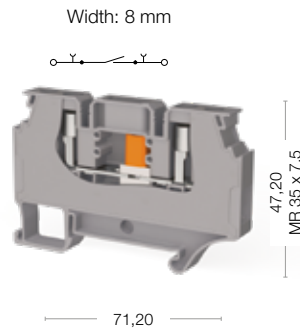


CS type (2-3-4-5-10 poles) accessories are push-in cross connectors, SCS type (2-3-4 poles) accessories are longer push-in short-circuit connectors. In case there is no accessory holder (ATCS 6) usage, SCS type connectors can be mounted upside down to same connection holes to prevent any accessory loss.



WGO 6 Series Test / Disconnect Terminals

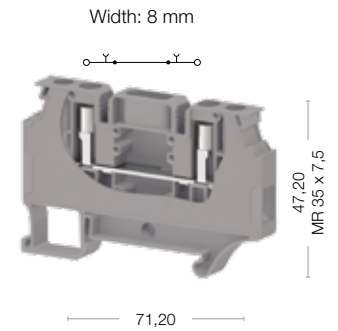
WGO 6/NM



Cat No:

- 309 609
- 309 600

WGO D6/NM



Cat No:

- 309 619
- 309 610



Electrical Ratings
CE (EN 60947-7-1)
UL
VDE (IEC 60947-7-1)
CSA
ATEX

Voltage, V ~	Current, A	Cross-Section
1000	41	6 mm ²
600	50	AWG 24-8

Voltage, V ~	Current, A	Cross-Section
1000	41	6 mm ²
600	50	AWG 24-8

Connection Data
Conductor cross section solid (min.-max.)
Conductor cross section stranded (min.-max.)
AWG Conductor
Torque
Hole Diameter
Bolt Diameter
Screwdriver

0,2-10 mm ²
0,2-10 mm ²
AWG 24-8
0,8-1,0 Nm
10 mm
B5
IKT 4 (0,8x4)

0,2-10 mm ²
0,2-10 mm ²
AWG 24-8
0,8-1,0 Nm
10 mm
B5
IKT 4 (0,8x4)

Cross Connection


Type	Order No	Qty.
CS 6/2	470 122	25
CS 6/3	470 123	20
CS 6/4	470 124	15
CS 6/5	470 125	10
CS 6/10	470 129	5
SCS 6/2	470 172	25
SCS 6/3	470 173	20
SCS 6/4	470 174	15


Type	Order No	Qty.
CS 6/2	470 122	25
CS 6/3	470 123	20
CS 6/4	470 124	15
CS 6/5	470 125	10
CS 6/10	470 129	5
SCS 6/2	470 172	25
SCS 6/3	470 173	20
SCS 6/4	470 174	15

Plastic Lock

Grey
Orange
Black

Type	Order No	Qty.
WGO 6_PK	469 079	50
WGO 6_PK	469 077	50
WGO 6_PK	469 075	50

Type	Order No	Qty.

Coding Plastic

Orange
Blue
Green
Yellow
Red
Black

Type	Order No	Qty.
WGO 6_KP	469 067	50
WGO 6_KP	469 061	50
WGO 6_KP	469 062	50
WGO 6_KP	469 063	50
WGO 6_KP	469 064	50
WGO 6_KP	469 065	50

Type	Order No	Qty.
WGO 6_KP	469 067	50
WGO 6_KP	469 061	50
WGO 6_KP	469 062	50
WGO 6_KP	469 063	50
WGO 6_KP	469 064	50
WGO 6_KP	469 065	50

Test Plug


Type	Order No	Qty.
TF04	493 050	10

Type	Order No	Qty.
TF04	493 050	10

Cross Connection Holder


Type	Order No	Qty.
ATCS 6	499 559	20

Type	Order No	Qty.
ATCS 6	499 559	20

Technical Data
Rated Impulse Voltage / Pollution severity
Insulation material group / Gauge pin code according to IEC 60947-1
Protection class / Protection conductor type
Marking Tags (Dekafix)
See pages 326-333 for a list of Dekafix

6/3
1/NA
IP 20 / -
D-NS 8x10, DG 10/8, SLF-P1 W

6/3
1/NA
IP 20 / -
D-NS 8x10, DG 10/8, SLF-P1 W

Package Quantity


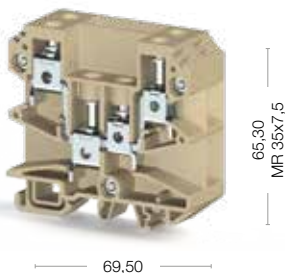
50 pcs.

50 pcs.

Distribution Terminals


AYK 10/16

Width: 11 mm

AYK 10/16

Width: 11 mm




Cat No:

395 100

Cat No:

395 200



Electrical Ratings
CE (EN 60947-7-1)
UL
VDE (IEC 60947-7-1)
CSA
ATEX

Voltage, V ~	Current, A	Cross-Section
750	76	16 mm ²

Voltage, V ~	Current, A	Cross-Section
750	76	16 mm ²

Connection Data
Conductor cross section solid (min.-max.)
Conductor cross section stranded (min.-max.)
2 conductors with same cross section, stranded, TWIN ferrules with plastic sleeve, (min.-max.)
AWG Conductor
Insulation Stripping Length (min.-max.)
Torque (min.-max.)
Screwdriver

2,5-0,5 mm ²
25-16 mm ²
1,5-0,5/10-6 mm ²
AWG 14/20-4/6
14/8-16/10 mm
1,2/1,2-2,0/1,8 Nm
IKT 4 (0,8x4,0)

2,5-0,5 mm ²
25-16 mm ²
1,5-0,5/10-6 mm ²
AWG 14/20-4/6
14/8-16/10 mm
1,2/1,2-2,0/1,8 Nm
IKT 4 (0,8x4,0)

Ordering Data



Type	Order No	Qty.
NPP/AYK	450 090	10

Type	Order No	Qty.
NPP/AYK	450 090	10

Technical Data
Rated Impulse Voltage / Pollution severity
Insulation material group / Gauge pin code according to IEC 60947-1
Protection class / Protection conductor type
Marking Tags (Dekafix)
See pages 326-333 for a list of Dekafix

8/3
1/B6
IP 20 / -
D-NS 5x6, DB 5, DG 6/5,

8/3
1/B6
IP 20 / -
D-NS 5x6, DB 5, DG 6/5,

Package Quantity

20 pcs.

20 pcs.

AYK 10/16-2,3,4,5

Width: 23,5 - 34,5 - 45,5 - 56,5 mm
(With End Plate)



Cat No:

395 220

Voltage, V ~	Current, A	Cross-Section
750	76	16 mm ²

2,5-0,5 mm ²
25-16 mm ²
1,5-0,5/10-6 mm ²
AWG 14/20-4/6
14/8-16/10 mm
1,2/1,2-2,0/1,8 Nm
IKT 4 (0,8x4,0)

Type	Order No	Qty.
AYK 10/16 - 2	395 220	20
AYK 10/16 - 3	395 230	20
AYK 10/16 - 4	395 240	20
AYK 10/16 - 5	395 250	20

Type	Order No	Qty.
NPP/AYK	450 090	10

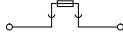
8/3
1/B6
IP 20 / -
D-NS 5x6, DB 5, DG 6/5,

20 pcs.

Screw Type Fuse Terminals

ASK 2 S

Width: 8 mm



45,00
MR 35 x 7,5

64,20

Cat No:

- 351 109
- 351 100

ASK 2 LD

Width: 8 mm



45,00
MR 35 x 7,5

64,20

Cat No:

- 351 219
- 351 210



Electrical Ratings
CE (EN 60947-7-3)
UL
VDE (IEC 60947-7-1)
CSA
ATEX

Voltage, V ~	Current, A	Cross-Section
500	6,3	6 mm ²
300	6,3	AWG 26-8

Voltage, V ~	Current, A	Cross-Section
	6,3	6 mm ²
	6,3	AWG 26-8

Connection Data
Conductor cross section solid (min.-max.)
Conductor cross section stranded (min.-max.)
2 conductors with same cross section, stranded, TWIN ferrules with plastic sleeve, (min.-max.)
AWG Conductor
Insulation Stripping Length (min.-max.)
Torque (min.-max.)
Screwdriver

0,2-10 mm ²
0,2-10 mm ²
0,5-4 mm ²
AWG 24-8
10-12 mm
0,8-1,2 Nm
IKT 3 (0,6x3,5)

0,2-10 mm ²
0,2-10 mm ²
0,5-4 mm ²
AWG 24-8
10-12 mm
0,8-1,2 Nm
IKT 3 (0,6x3,5)

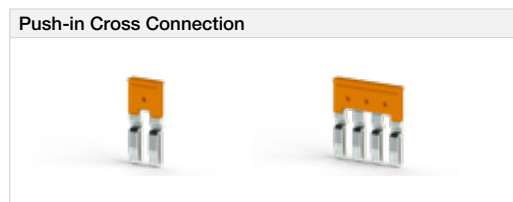
Ordering Data

Type	Order No	Qty.
ASK 2 LD (24 AC)	351 219	25
ASK 2 LD (24 DC)	351 229	25
ASK 2 LD (48 AC)	351 319	25
ASK 2 LD (48 DC)	351 329	25
ASK 2 LD (110 AC)	351 519	25
ASK 2 LD (110 DC)	351 529	25
ASK 2 LD (220 AC)	351 619	25
ASK 2 LD (220 DC)	351 629	25



Type	Order No	Qty.
NPP/ASK 2	450 049	25

Type	Order No	Qty.
NPP/ASK 2	450 049	25



Technical Data
Rated Impulse Voltage / Pollution severity
Insulation material group / Gauge pin code according to IEC 60947-1
Protection class / Protection conductor type
Fuse / Fuse Type
Marking Tags (Dekafix)
See pages 326-333 for a list of Dekafix

6/3
1/B5
IP 20 / -
G/5x20-5x25
D-NS 5x6, DB 5, DG 6x5

6/3
1/B5
IP 20 / -
G/5x20-5x25
D-NS 5x6, DB 5, DG 6x5

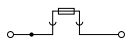
Package Quantity

50 pcs.

25 pcs.

ASK 3 M

Width: 6,2 mm



72,50
MR 35 x 7,5

54,10

Cat No:

- 355 109
- 355 100

Voltage, V ~	Current, A	Cross-Section
500	10	4 mm ²
600	10	AWG 26-10

0,2-6 mm ²		
0,2-6 mm ²		
0,5-2,5 mm ²		
AWG 24-10		
9-10 mm		
0,5-0,8 Nm		
IKT 3 (0,6x3,5)		

Type	Order No	Qty.

Type	Order No	Qty.
NPP/ASK 3	450 059	10

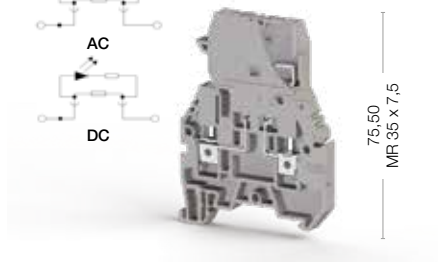
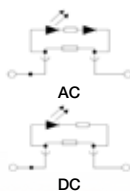
Type	Order No	Qty.
UK 4/2	476 232	25
UK 4/3	476 233	20
UK 4/4	476 234	15

6/3		
1/A4		
IP 20 / -		
G/5x20-5x25		
DB 5, DB 10/6, D-NS 6x10, D-NS 5x6		

30 pcs.

ASK 3 MLD

Width: 6,2 mm



75,50
MR 35 x 7,5

54,10

Cat No:

- 355 219
- 355 210

Voltage, V ~	Current, A	Cross-Section
	10	4 mm ²
	10	AWG 26-10

0,2-6 mm ²		
0,2-6 mm ²		
0,5-2,5 mm ²		
AWG 24-10		
9-10 mm		
0,5-0,8 Nm		
IKT 3 (0,6x3,5)		

Type	Order No	Qty.
ASK 3 MLD (24 AC)	355 219	30
ASK 3 MLD (24 DC)	355 229	30
ASK 3 MLD (48 AC)	355 319	30
ASK 3 MLD (48 DC)	355 329	30
ASK 3 MLD (110 AC)	355 519	30
ASK 3 MLD (110 DC)	355 529	30
ASK 3 MLD (220 AC)	355 619	30
ASK 3 MLD (220 DC)	355 629	30

Type	Order No	Qty.
NPP/ASK 3	450 059	10

Type	Order No	Qty.
UK 4/2	476 232	25
UK 4/3	476 233	20
UK 4/4	476 234	15

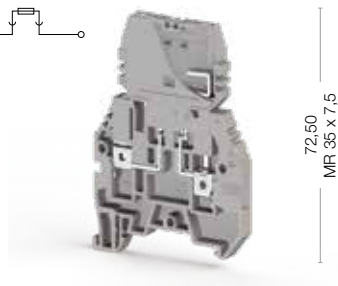
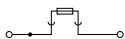
6/3		
1/A4		
IP 20 / -		
G/5x20-5x25		
DB 5, DB 10/6, D-NS 6x10, D-NS 5x6		

30 pcs.

Screw Type Fuse Terminals

ASK 3 F

Width: 6,2 mm

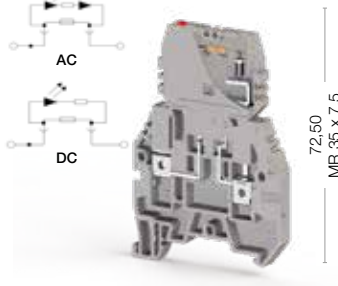
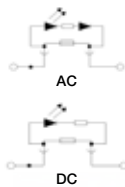


Cat No:

- 354 109
- 354 100

ASK 3 FLD

Width: 6,2 mm

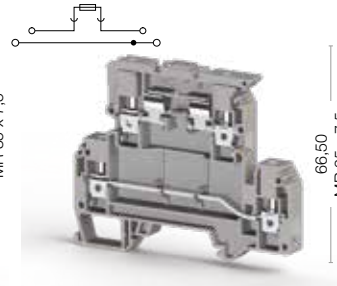
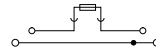


Cat No:

- 354 219
- 354 210

AVK 4 FS

Width: 8 mm



Cat No:

- 353 309
- 353 300



Electrical Ratings
CE (EN 60947-7-3)
UL
VDE (IEC 60947-7-1)
CSA
ATEX

Voltage, V ~	Current, A	Cross-Section
500	10	4 mm ²
600	10	AWG 26-10

Voltage, V ~	Current, A	Cross-Section
	10	4 mm ²
	10	AWG 26-10

Voltage, V ~	Current, A	Cross-Section
500	32	4 mm ²
300	6,3/30	AWG 26-10

Connection Data	
Conductor cross section solid (min.-max.)	0,2-6 mm ²
Conductor cross section stranded (min.-max.)	0,2-6 mm ²
2 conductors with same cross section, stranded, TWIN ferrules with plastic sleeve, (min.-max.)	0,5-2,5 mm ²
AWG Conductor	AWG 24-10
Insulation Stripping Length (min.-max.)	9-10 mm
Torque (min.-max.)	0,5-0,8 Nm
Screwdriver	IKT 3 (0,6x3,5)

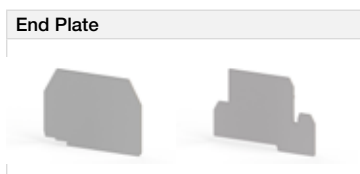
	0,2-6 mm ²
	0,2-6 mm ²
	0,5-2,5 mm ²
	AWG 24-10
	9-10 mm
	0,5-0,8 Nm
	IKT 3 (0,6x3,5)

	0,2-6 mm ²
	0,2-6 mm ²
	0,5-2,5 mm ²
	AWG 24-10
	9-10 mm
	0,5-0,8 Nm
	IKT 3 (0,6x3,5)

	0,2-6 mm ²
	0,2-6 mm ²
	0,5-2,5 mm ²
	AWG 24-10
	8-9 mm
	0,5-0,8 Nm
	IKT 3 (0,6x3,5)

Ordering Data

Type	Order No	Qty.
ASK 3 FLD (24 AC)	354 219	30
ASK 3 FLD (24 DC)	354 229	30
ASK 3 FLD (48 AC)	354 319	30
ASK 3 FLD (48 DC)	354 329	30
ASK 3 FLD (110 AC)	354 519	30
ASK 3 FLD (110 DC)	354 529	30
ASK 3 FLD (220 AC)	354 619	30
ASK 3 FLD (220 DC)	354 629	30

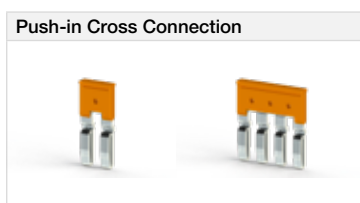


End Plate

Type	Order No	Qty.
NPP/ASK 3	450 059	10

Type	Order No	Qty.
NPP/ASK 3	450 059	10

Type	Order No	Qty.
NPP/AVK 4 FS	450 209	10



Push-in Cross Connection

Type	Order No	Qty.
UK 4/2	476 232	25
UK 4/3	476 233	20
UK 4/4	476 234	15

Type	Order No	Qty.
UK 4/2	476 232	25
UK 4/3	476 233	20
UK 4/4	476 234	15

Type	Order No	Qty.
UK 6/2	476 242	25
UK 6/3	476 243	20
UK 6/4	476 244	15
UK 6/10	476 249	5

Technical Data	
Rated Impulse Voltage / Pollution severity	6/3
Insulation material group / Gauge pin code according to IEC 60947-1	1/A4
Protection class / Protection conductor type	IP 20 / -
Fuse / Fuse Type	G/5x20-5x25
Marking Tags (Dekafix)	
See pages 326-333 for a list of Dekafix	DB 5, DB 10/6, D-NS 6x10, D-NS 5x6

6/3
1/A4
IP 20 / -
G/5x20-5x25
DB 5, DB 10/6, D-NS 6x10, D-NS 5x6

6/3
1/A4
IP 20 / -
G/5x20-5x25
DB 5, DB 10/6, D-NS 6x10, D-NS 5x6

6/3
1/A4
IP 20 / -
G/5x20-5x25
D-NS 5x6, DB 5, DG 6/5

Package Quantity
30 pcs.

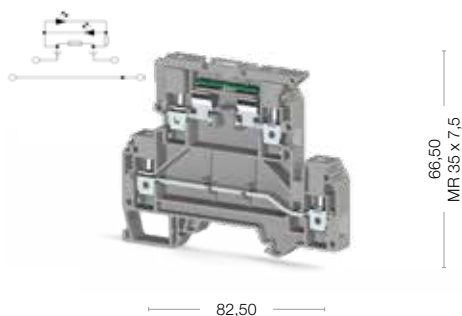
30 pcs.

30 pcs.

50 pcs.

AVK 4 FSLD

Width: 8 mm



Cat No:

- 353 329
- 353 320

Voltage, V ~	Current, A	Cross-Section
	32	4 mm ²
300	6,3/30	AWG 26-10

0,2-6 mm ²	0,2-6 mm ²	0,5-2,5 mm ²
AWG 24-10	8-9 mm	0,5-0,8 Nm
IKT 3 (0,6x3,5)		

Type	Order No	Qty.
AVK 4 FSLD (110V AC/DC)	353 349	50
AVK 4 FSLD (24V AC/DC)	353 329	50
AVK 4 FSLD (220V AC/DC)	353 359	50

Type	Order No	Qty.
NPP/AVK 4FS	450 209	10

Type	Order No	Qty.
UK 6/2	476 242	25
UK 6/3	476 243	20
UK 6/4	476 244	15
UK 6/10	476 249	5

6/3	1/A4	IP 20 / -
G/5x20-5x25		
D-NS 5x10, D-NS 5x6, DG 6/5, DB 5		

50 pcs.

AVK 4 FST/NM

Width: 8 mm



Cat No:

- 314 109
- 314 100

Voltage, V ~	Current, A	Cross-Section
500	32	4 mm ²

0,2-6 mm ²	0,2-6 mm ²	0,5-2,5 mm ²
AWG 24-10	8-9 mm	0,5-0,8 Nm
IKT3 (0,6x3,5)		

Type	Order No	Qty.

Type	Order No	Qty.
NPP / AVK 4 FST_NM	451 429	10

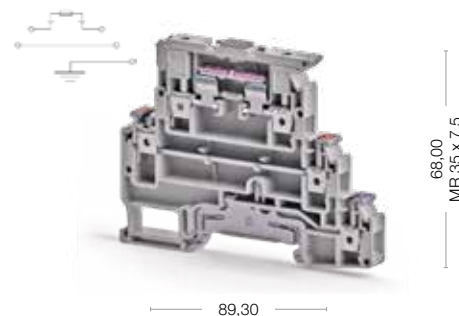
Type	Order No	Qty.

6/3	1/A4	IP 20 / -
DG 6/5, DB 5, D-NS 5x6		

30 pcs.

AVK 4 FSTLD/NM 24V

Width: 8 mm



Cat No:

- 314 129
- 314 120

Voltage, V ~	Current, A	Cross-Section
24	32	4 mm ²

0,2-6 mm ²	0,2-6 mm ²	0,5-2,5 mm ²
AWG 24-10	8-9 mm	0,5-0,8 Nm
IKT3 (0,6x3,5)		

Type	Order No	Qty.
AVK 4 FSTLD/NM (48V)	314 139	30 pcs.
AVK 4 FSTLD/NM (110V)	314 149	30 pcs.
AVK 4 FSTLD/NM (220V)	314 159	30 pcs.

Type	Order No	Qty.
NPP / AVK 4 FST_NM	451 429	10

Type	Order No	Qty.

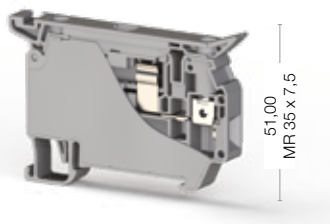
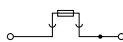
6/3	1/A4	IP 20 / -
DG 6/5, DB 5, D-NS 5x6		

30 pcs.

Screw Type Fuse Terminals

ASK 5

Width: 8 mm



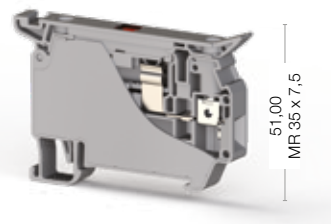
69,60

Cat No:

- 353 409
- 353 400

ASK 5 LD

Width: 8 mm



69,60

Cat No:

- 353 429
- 353 420



Electrical Ratings
CE (EN 60947-7-3)
UL
VDE (IEC 60947-7-1)
CSA
ATEX

Voltage, V ~	Current, A	Cross-Section
500	10	4 mm ²
300	10	AWG 26-10

Voltage, V ~	Current, A	Cross-Section
	10	4 mm ²
	10	AWG 26-10

Connection Data
Conductor cross section solid (min.-max.)
Conductor cross section stranded (min.-max.)
2 conductors with same cross section, stranded, TWIN ferrules with plastic sleeve, (min.-max.)
AWG Conductor
Insulation Stripping Length (min.-max.)
Torque (min.-max.)
Screwdriver

0,2-6 mm ²
0,2-6 mm ²
0,5-2,5 mm ²
AWG 24-10
8-9 mm
0,5-0,8 Nm
IKT 3 (0,6x3,5)

0,2-6 mm ²
0,2-6 mm ²
0,5-2,5 mm ²
AWG 24-10
8-9 mm
0,5-0,8 Nm
IKT 3 (0,6x3,5)

Ordering Data

Type	Order No	Qty.
ASK 5 LD 24V AC/DC	353 429	50
ASK 5 LD 110V AC/DC	353 449	50
ASK 5 LD 220V AC/DC	353 439	50

Push-in Cross Connection

Type	Order No	Qty.
UK 6/2	476 242	25
UK 6/3	476 243	20
UK 6/4	476 244	15
UK 6/10	476 249	5

Type	Order No	Qty.
UK 6/2	476 242	25
UK 6/3	476 243	20
UK 6/4	476 244	15
UK 6/10	476 249	5

Technical Data
Rated Impulse Voltage / Pollution severity
Insulation material group / Gauge pin code according to IEC 60947-1
Protection class / Protection conductor type
Fuse / Fuse Type
Marking Tags (Dekafix)
See pages 326-333 for a list of Dekafix

6/3
1/A4
IP 20 / -
G/5x20-5x25
D-NS 8x10, DG 10/8

6/3
1/A4
IP 20 / -
G/5x20-5x25
D-NS 8x10, DG 10/8

Package Quantity
50 pcs.

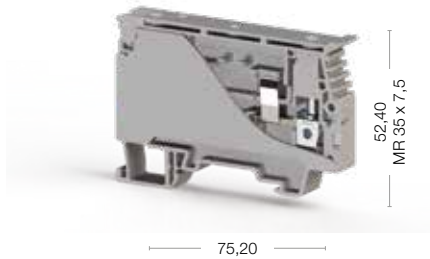
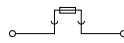
50 pcs.

50 pcs.

Fuse Terminals for American Standards

ASK 4 S

Width: 10 mm

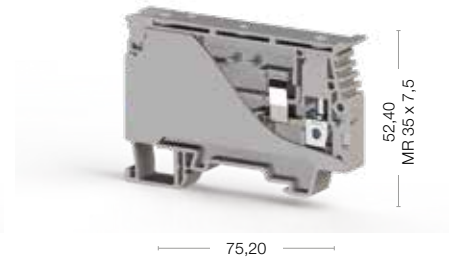


Cat No:

- 351 129
- 351 120

ASK 4 LD

Width: 10 mm



Cat No:

- 351 719
- 351 710



Electrical Ratings
CE (EN 60947-7-3)
UL
VDE (IEC 60947-7-1)
CSA
ATEX

Voltage, V ~	Current, A	Cross-Section
750	6,3	6 mm ²
600	6,3	AWG 22-8

Voltage, V ~	Current, A	Cross-Section
	6,3	6 mm ²
	6,3	AWG 22-8

Connection Data
Conductor cross section solid (min.-max.)
Conductor cross section stranded (min.-max.)
2 conductors with same cross section, stranded, TWIN ferrules with plastic sleeve, (min.-max.)
AWG Conductor
Insulation Stripping Length (min.-max.)
Torque
Screwdriver

0,34-10 mm ²
0,34-10 mm ²
0,5-4 mm ²
AWG 22-8
9-10 mm
0,5-0,8 Nm
IKT 3 (0,6x3,5)

0,34-10 mm ²
0,34-10 mm ²
0,5-4 mm ²
AWG 22-8
9-10 mm
0,5-0,8 Nm
IKT 3 (0,6x3,5)

Ordering Data

Type	Order No	Qty.
ASK 4 LD (24 AC)	351 719	20
ASK 4 LD (24 DC)	351 729	20
ASK 4 LD (48 AC)	351 739	20
ASK 4 LD (48 DC)	351 749	20
ASK 4 LD (110 AC)	351 759	20
ASK 4 LD (110 DC)	351 769	20
ASK 4 LD (220 AC)	351 779	20
ASK 4 LD (220 DC)	351 789	20

Technical Data
Rated Impulse Voltage / Pollution severity
Insulation material group / Gauge pin code according to IEC 60947-1
Protection class / Protection conductor type
Fuse / Fuse Type
Marking Tags (Dekafix)
See pages 326-333 for a list of Dekafix

6/3
1/B5
IP 20 / -
6,35x31,75
D-NS 8x10, DG 10/8

6/3
1/B5
IP 20 / -
6,35x31,75
D-NS 8x10, DG 10/8

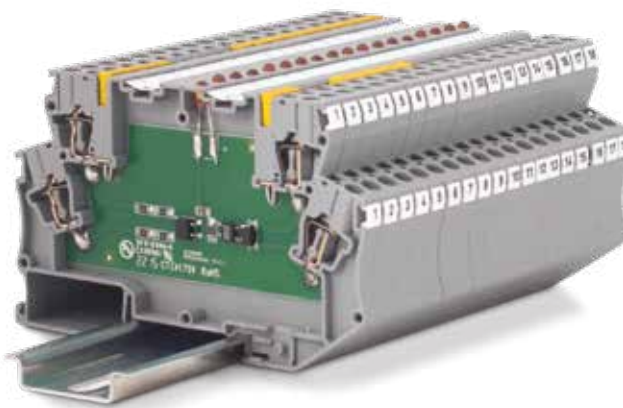
Package Quantity

20 pcs.

20 pcs.

Double Level Electronic Terminals

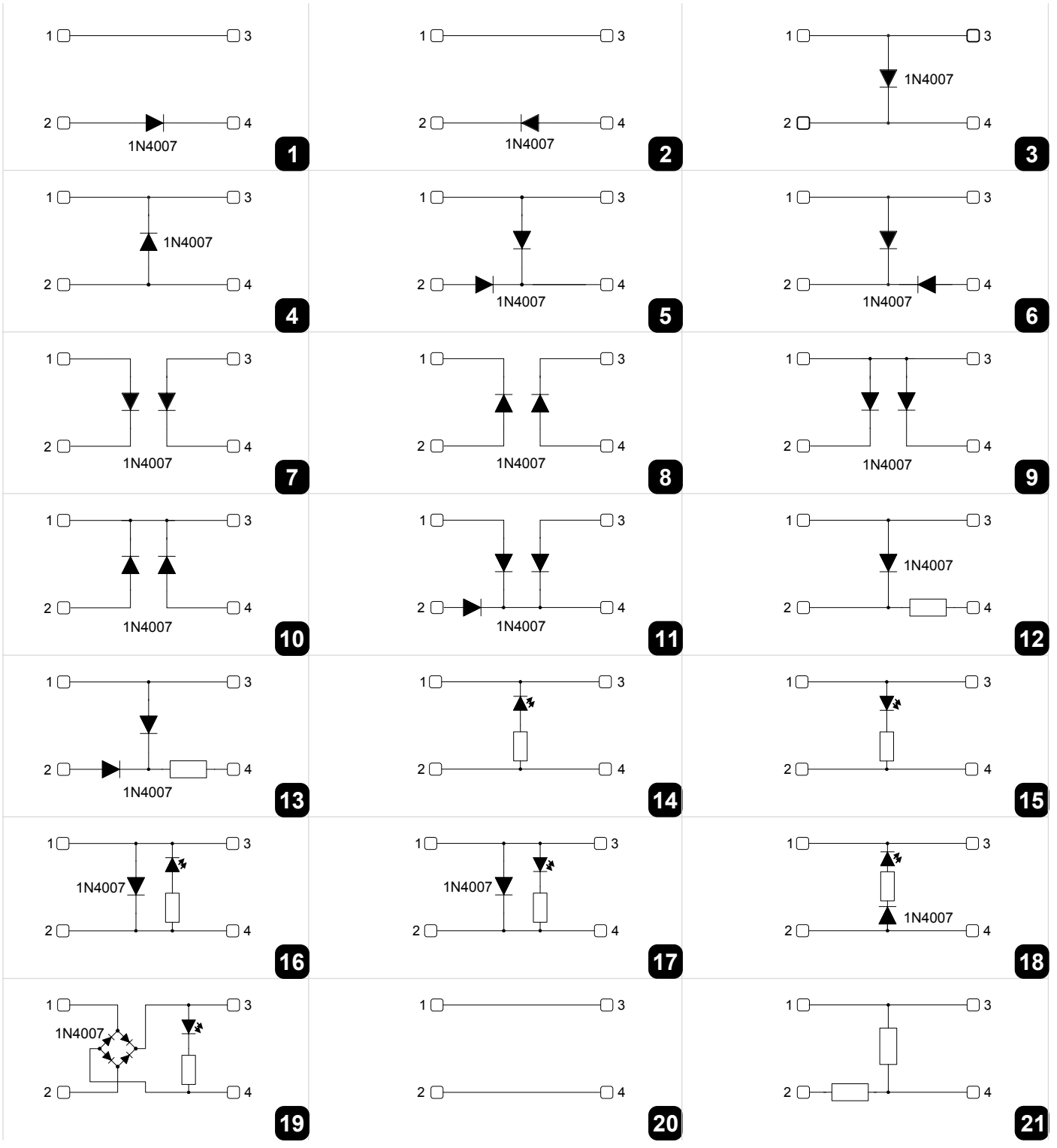
WG - EKI



From reverse current protection to lamp test circuit, you can select among 20 ready to use circuits of WG EKI-N, or choose the empty one and apply your own circuit. There are many choices with different number of contacts and housing type suitable for your needs. Spring clamp connections speed up the cable installations whereas plug-in cross connectors provides easy and safe connection. New WG EKI-N series terminal blocks can be labeled by using plotter or thermal marking systems.

Electrical Ratings	
Terminal Current	10 A
Diode Voltage	1000 V
Diode Current	1 A
Connection Data	
Solid Strand, Screw Connection	0,8 - 4 mm ²
Fine Strand, Screw Connection	0,8 - 2,5 mm ²
AWG Conductor	AWG 28 - 12
Terminal Width	6,2 mm
Terminal Length	100,5 mm

Sch. Cir. Dia.	Input Voltage	Circuit Type	Order No
1	-	Reverse Current Protection	110 010N
2	-	Reverse Current Protection	110 020N
3	-	Reverse Current Protection	110 030N
4	-	Reverse Current Protection	110 040N
5	-	Lamp / Test Circuit	110 050N
6	-	Lamp / Test Circuit	110 060N
7	-	Reverse Current Protection	110 070N
8	-	Reverse Current Protection	110 080N
9	-	Lamp / Test Circuit	110 090N
10	-	Lamp / Test Circuit	110 100N
11	-	Lamp / Test Circuit	110 110N
12	24VAC/DC	Lamp / Test Circuit	110 120N
13	24VAC/DC	Lamp / Test Circuit	110 130N
14	24VDC	Voltage Indicator	110 140N
14	110VDC	Voltage Indicator	110 150N
14	220VDC	Voltage Indicator	110 160N
15	24VDC	Voltage Indicator	110 170N
15	110VDC	Voltage Indicator	110 180N
15	220VDC	Voltage Indicator	110 190N
16	24VDC	Voltage Indicator + Flyback Diode	110 200N
17	24VDC	Voltage Indicator + Flyback Diode	110 210N
18	24VAC/DC	Voltage Indicator	110 270N
18	48VAC/DC	Voltage Indicator	110 280N
18	110VAC/DC	Voltage Indicator	110 290N
18	220VAC/DC	Voltage Indicator	110 300N
19	24VAC/DC	Voltage Indicator + Rectifier	110 310N
19	110VAC/DC	Voltage Indicator + Rectifier	110 320N
19	220VAC/DC	Voltage Indicator + Rectifier	110 330N
20	-	Terminal with Cross Connection	110 380N
21	24VAC/DC	Voltage Divider	110 410N

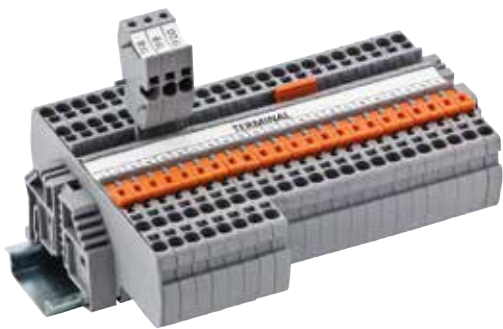
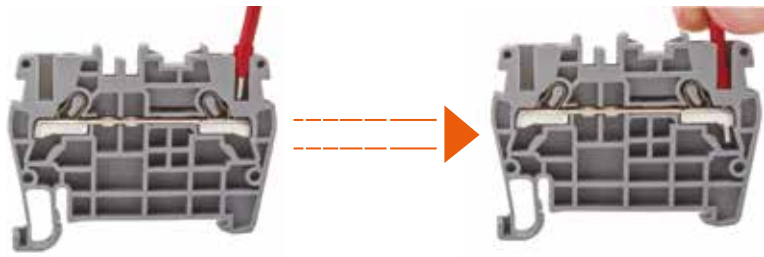


Accessories and Components

	End Plate	Plug-in Bridge 2 Holes	Plug-in Bridge 3 Holes	Plug-in Bridge 4 Holes	Plug-in Bridge 5 Holes	Plug-in Bridge 10 Holes	Plug-in Bridge 20 Holes	DG 6/5 Label	DB 5 Label	11.2 Strip Label
Order No	450389	470112	470113	470114	470115	470119	470180	505330	505850	1020100
Qty.	10	25	20	15	10	5	5	440	500	1

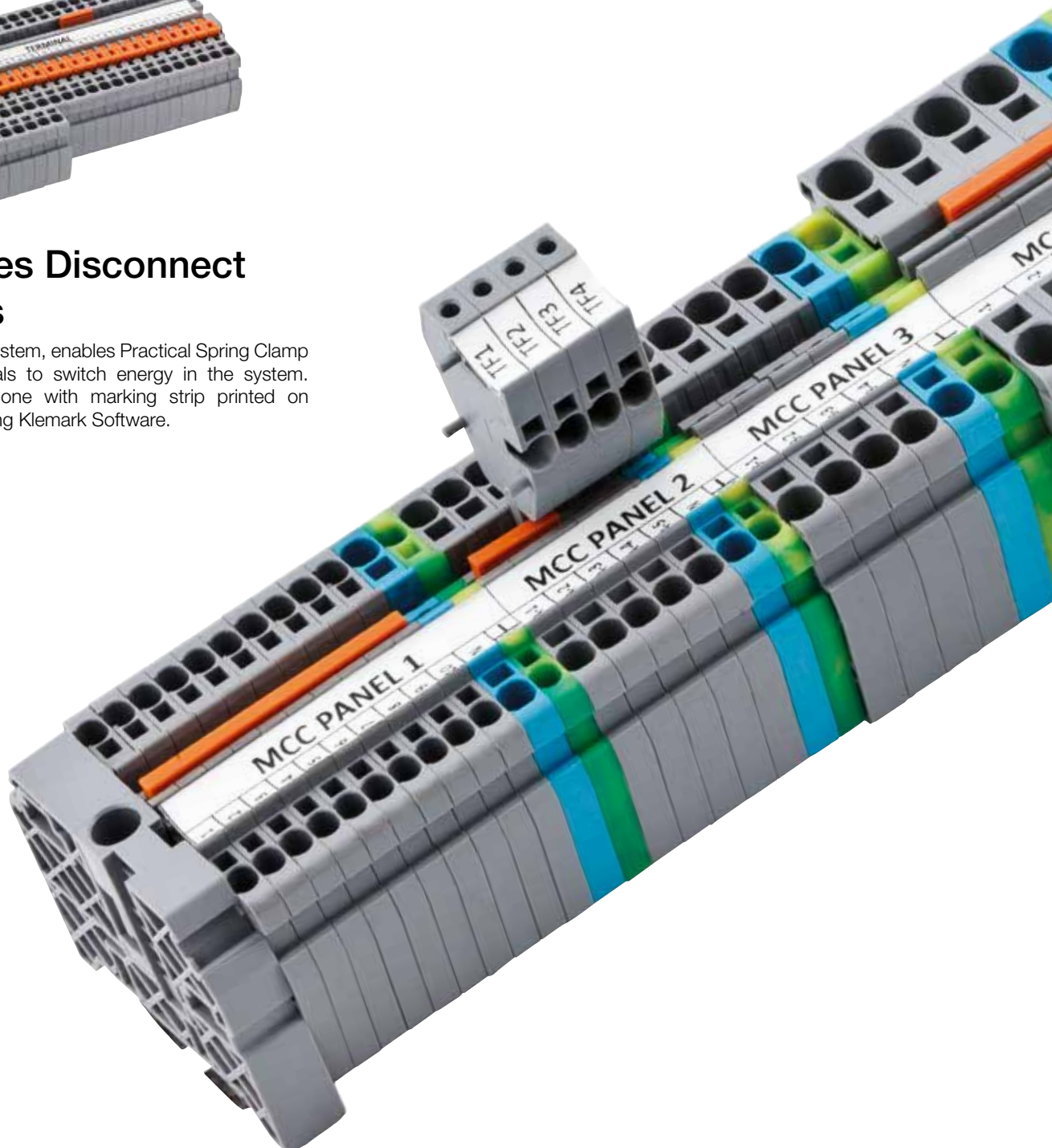
Easy Mounting of PYK Series Terminals

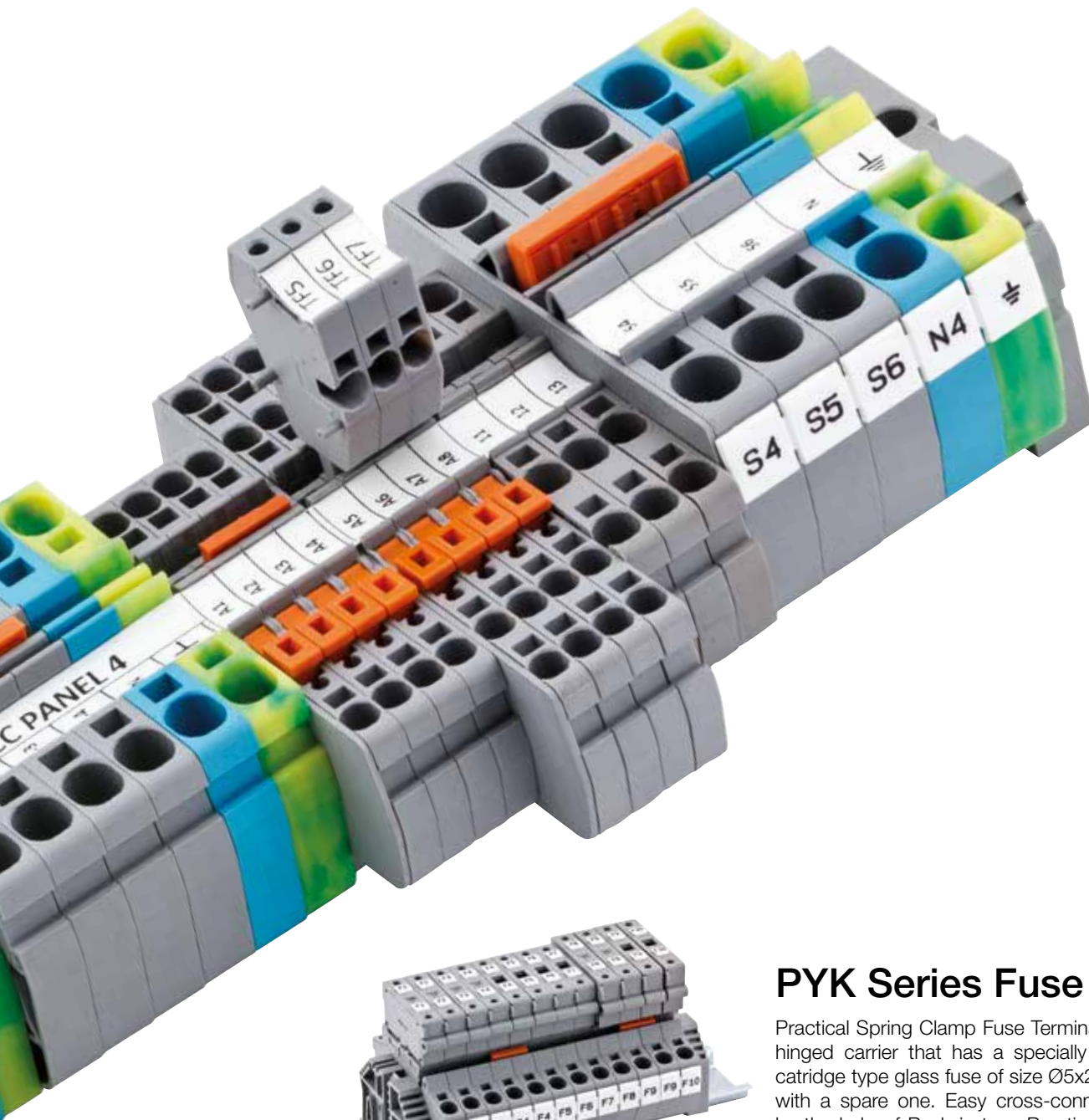
Solid/stranded cables(with ferrules) are connected to the terminal just by pushing-in,without the need to use a screwdriver. The patented design of its spring provides fast and safe connection in heavily vibrating environments.



PYK Series Disconnect Terminals

Knife Disconnect System, enables Practical Spring Clamp Disconnect Terminals to switch energy in the system. Marking can be done with marking strip printed on Thermal printer, using Klemark Software.





PYK Series Fuse Terminals

Practical Spring Clamp Fuse Terminals has a sliding type hinged carrier that has a specially designed space for cartridge type glass fuse of size $\text{Ø}5 \times 20$ or $\text{Ø}5 \times 25$ together with a spare one. Easy cross-connection can be done by the help of Push in type Practical Cross Connection. Accessories facilitating Plotter labeling are available.

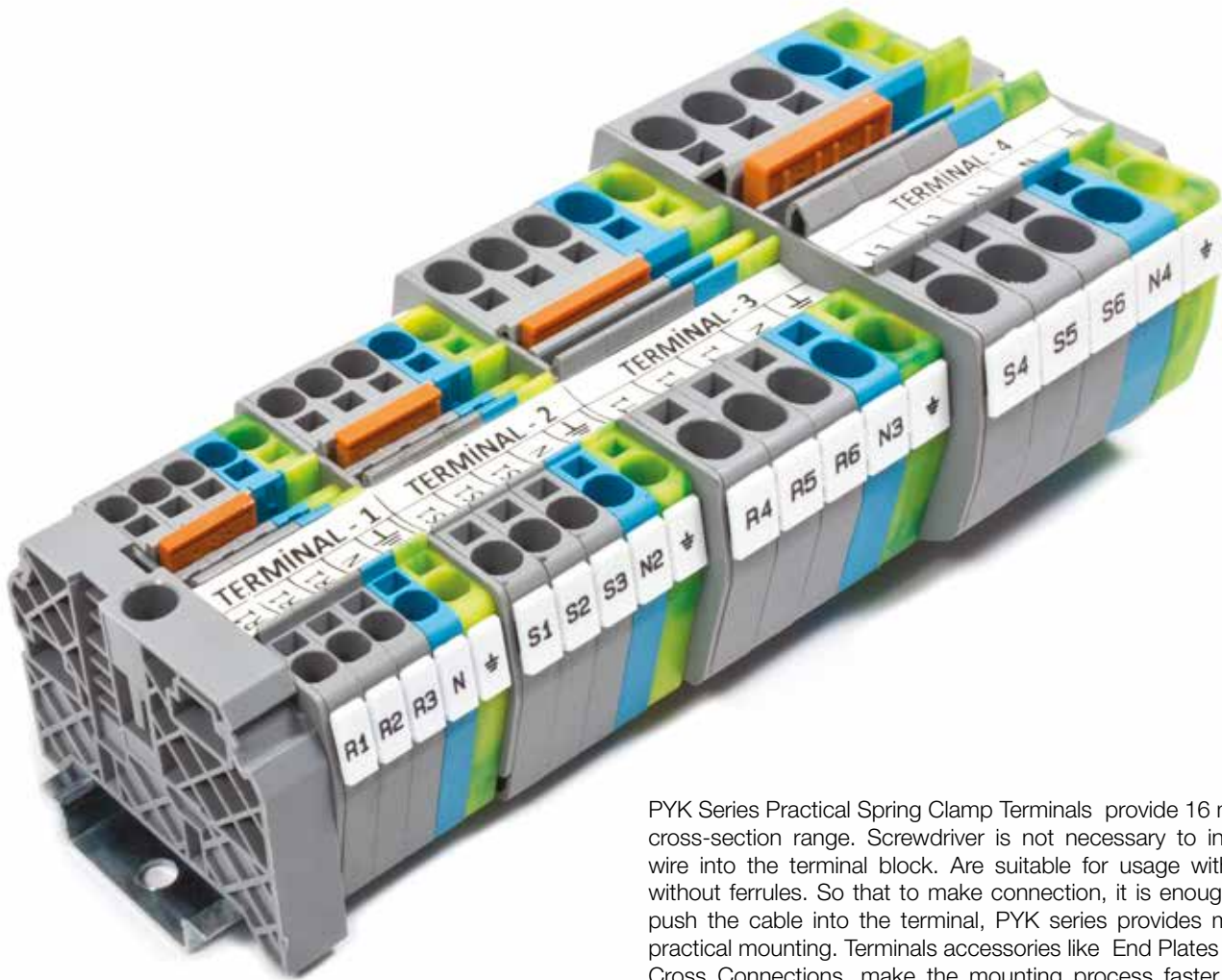


PYK Series Multilevel Terminals

Practical Spring Clamp Multilevel Terminals are used to perform connection of wires in limited spaces, 2-3 times more connections can be done at the same space on the rail.

Cross-connection can be done between the layers. Marking is possible at each layer, at the same time usage of group marking carrier makes marking even clearer and visible.

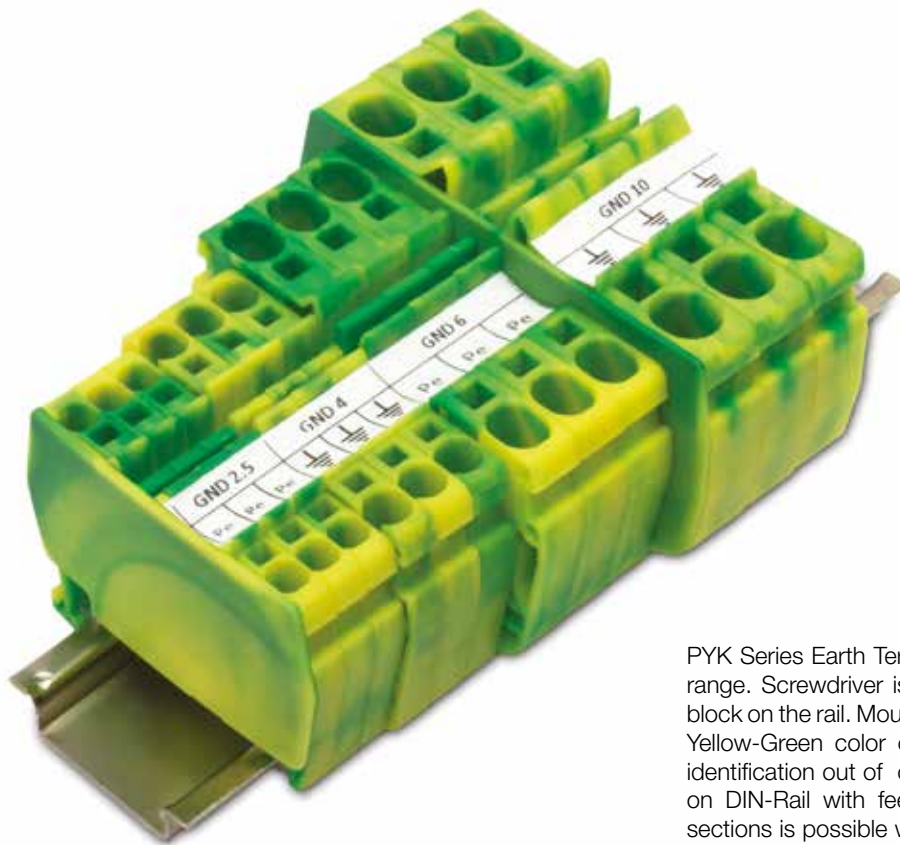
PYK Series Terminals



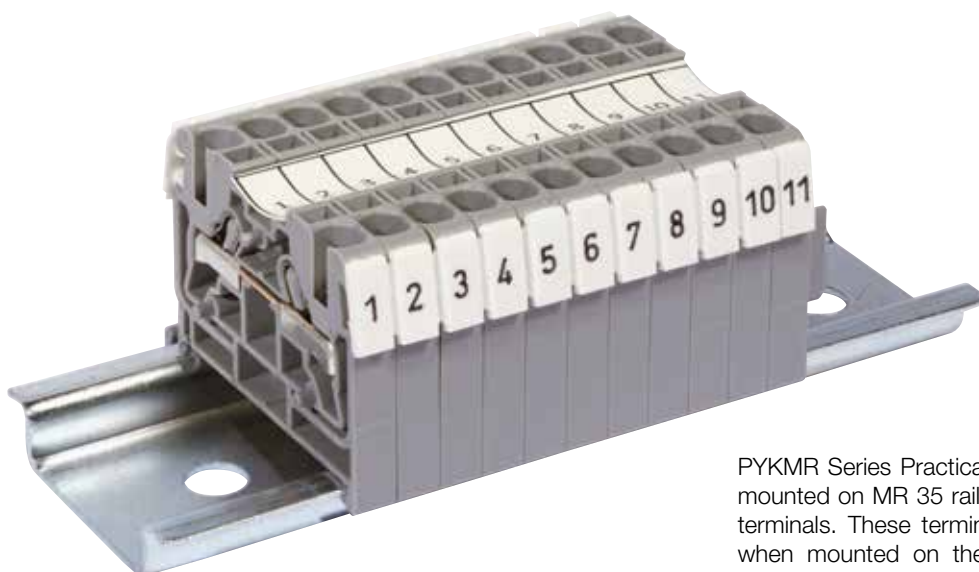
PYK Series Practical Spring Clamp Terminals provide 16 mm² cross-section range. Screwdriver is not necessary to install wire into the terminal block. Are suitable for usage with or without ferrules. So that to make connection, it is enough to push the cable into the terminal, PYK series provides more practical mounting. Terminals accessories like End Plates and Cross Connections, make the mounting process faster like in Test Terminals. Special Marking solutions for each cross section can be provided by Plotter labeling and with marking strip printed on Thermal printer, using Klemark Software. PYK Test Terminals, produced with the test and control aim, can be labeled with thermal marking strips and standard Dekafix markings.



PYKM Series Practical spring clamp mini Terminals, mounted on MR 15*5,5 rail, provide both feed-through and Earth terminals. These terminals can be connected to each other when mounted on the din rail and have safe connection. Practical Spring Clamp mini Terminals enable fast solutions on narrow spaces. Marking solutions are available with Thermal Printer labeling and Plotter labeling.



PYK Series Earth Terminals provides 16 mm² cross-section range. Screwdriver is not necessary to mount the terminal block on the rail. Mounting is more time-saving and practical. Yellow-Green color of the insulation body provides easy identification out of other Terminals. Side-by-side mounting on DIN-Rail with feed-through terminals for same cross-sections is possible with good visual effect. Special Marking solutions for each cross section can be provided by Plotter labeling and with marking strip printed on Thermal printer, using Klemark Software.

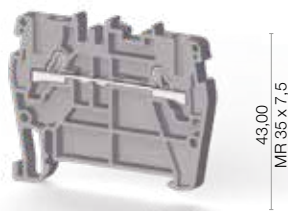


PYKMR Series Practical spring clamp mini Terminals, can be mounted on MR 35 rail, provide both feed-through and Earth terminals. These terminals can be connected to each other when mounted on the din rail and have safe connection. Practical Spring Clamp mini Terminals enable fast solutions on narrow spaces. Marking solutions are available with Thermal Printer labeling and Plotter labeling.

Practical Spring Clamp Terminals

PYK 1,5

Width: 4,2 mm



43,00
MR 35 x 7,5

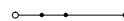
53,30

Cat No:

307 009
307 000

PYK 1,5 M

Width: 4,2 mm



37,80
MR 35 x 7,5

52,00

Cat No:

307 019
307 010



Electrical Ratings
CE (EN 60947-7-1)
UL
VDE (IEC 60947-7-1)
CSA
ATEX

Voltage, V ~	Current, A	Cross-Section
800	17,5	1,5 mm ²
600	15	22-14 mm ²
630	15	0,5-2,5 mm ²

Voltage, V ~	Current, A	Cross-Section
800	17,5	1,5 mm ²
500	15	0,5-2,5 mm ²

Connection Data	
Conductor cross section solid (min.-max.)	0,34-2,5 mm ²
Conductor cross section stranded (min.-max.)	0,34-1,5 mm ²
2 conductors with same cross section, stranded, TWIN ferrules with plastic sleeve	0,5 mm ²
AWG Conductor	AWG 22-14
Insulation Stripping Length (min.-max.)	9-10 mm
Screwdriver	KT 1 (0,4x2,5)

Type	Order No	Qty.
NPP/PYK 1,5	446 449	100

Type	Order No	Qty.
NPP/PYK 1,5 M	446 639	100



Type	Order No	Qty.
APP PYK 1,5 M	463 180	25

Type	Order No	Qty.
APP PYK 1,5 M	463 180	25



Type	Order No	Qty.
UK 1,5/2	476 602	25
UK 1,5/3	476 603	20
UK 1,5/4	476 604	15
UK 1,5/10	476 609	5

Type	Order No	Qty.
UK 1,5/2	476 602	25
UK 1,5/3	476 603	20
UK 1,5/4	476 604	15
UK 1,5/10	476 609	5



Technical Data	
Rated Impulse Voltage / Pollution severity	8/3
Insulation material group / Gauge pin code according to IEC 60947-1	1/A1-B1
Protection class / Protection conductor type	IP 20 / -
Marking Tags (Dekafix)	SLF-P1 W, DB 10/4, SLF-P2 W, D-NS 4,2x6

Technical Data	
Rated Impulse Voltage / Pollution severity	8/3
Insulation material group / Gauge pin code according to IEC 60947-1	1/A1-B1
Protection class / Protection conductor type	IP 20 / -
Marking Tags (Dekafix)	SLF-P1 W, DB 10/4, SLF-P2 W, D-NS 4,2x6

Package Quantity
80 pcs.

Package Quantity
100 pcs.

Package Quantity
100 pcs.

Color							
Color code is the last digit of the order number							
Blue	Green	Yellow	Red	Black	White	Orange	Brown
1	2	3	4	5	6	7	8

PYK 2,5

Width: 5 mm



43,00
MR 35 x 7,5

53,40

Cat No:

- 307 109
- 307 100

Voltage, V ~	Current, A	Cross-Section
800	24	2,5 mm ²
600	20	AWG 22-12
800	24	2,5 mm ²
800	21	0,5-2,5 mm ²

0,34-4 mm ²
0,34-2,5 mm ²
0,5 mm ²
AWG 22-12
9-10 mm
KT 1 (0,4x2,5)

Type	Order No	Qty.
NPP PYK 2,5	446 449	100

Type	Order No	Qty.
APP/PYK 1,5-2,5-4	463 180	25

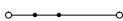
Type	Order No	Qty.
UK 2,5/2	476 222	25
UK 2,5/3	476 223	20
UK 2,5/4	476 224	15
UK 2,5/10	476 229	5
UK 2,5/16	474 260	10
UK 2,5/20	474 200	10

8/3
1/A3
IP 20 / -
D-NS 5x10, SLF-P2 W, DB 10/5, DG 10/5, SLF-P1 W

100 pcs.

PYK 4

Width: 6 mm



44,00
MR 35 x 7,5

55,90

Cat No:

- 307 119
- 307 110

Voltage, V ~	Current, A	Cross-Section
800	32	4 mm ²
600	30	AWG 22-10
800	32	4 mm ²
800	28	0,5-4 mm ²

0,34-6 mm ²
0,25-4 mm ²
1,0 mm ²
AWG 22-10
9-10 mm
KT 2 (0,5x3,0)

Type	Order No	Qty.
NPP/PYK 4	446 459	100

Type	Order No	Qty.
APP PYK 4	463 180	25

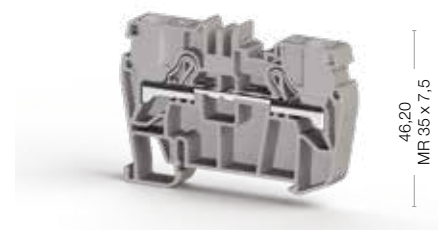
Type	Order No	Qty.
UK 4/2	476 232	25
UK 4/3	476 233	20
UK 4/4	476 234	15
UK 4/10	476 239	5

8/3
1/A4
IP 20 / -
D-NS 6x10, SLF-P2 W, DB 10/6, DG 10/6, DG 10/6T, SLF-P1 W

100 pcs.

PYK 6

Width: 8 mm



46,20
MR 35 x 7,5

65,60

Cat No:

- 307 129
- 307 120

Voltage, V ~	Current, A	Cross-Section
800	41	6 mm ²
600	35	AWG 20-8
800	36	0,5-6 mm ²

0,5-10 mm ²
0,5-6 mm ²
1,5 mm ²
AWG 20-8
11-13 mm
KT 3 (0,6x3,5)

Type	Order No	Qty.
NPP/PYK 6	446 469	50

Type	Order No	Qty.
APP PYK 6	463 190	25

Type	Order No	Qty.
UK 6/2	476 242	25
UK 6/3	476 243	20
UK 6/4	476 244	15
UK 6/10	476 249	5

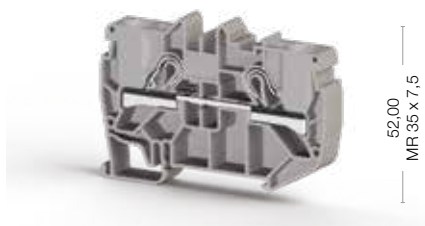
8/3
1/A5
IP 20 / -
D-NS 8x10, SLF-P2 W, DG 10/8, SLF-P1 W

60 pcs.

Practical Spring Clamp Terminals

PYK 10

Width: 10 mm



52,00
MR 35 x 7,5

75,40

Cat No:

307 139
307 130

PYK 16

Width: 12 mm



49,50
MR 35 x 7,5

81,45

Cat No:

307 659
307 650



Electrical Ratings

CE (EN 60947-7-1)
UL
VDE (IEC 60947-7-1)
CSA
ATEX

Voltage, V ~	Current, A	Cross-Section
800	57	10 mm ²
600	55	AWG 20-6
800	50	0,5-10 mm ²

Voltage, V ~	Current, A	Cross-Section
1000	76	16 mm ²
600	80	AWG 20-4

Connection Data

Conductor cross section solid (min.-max.)
Conductor cross section stranded (min.-max.)
2 conductors with same cross section, stranded, TWIN ferrules with plastic sleeve
AWG Conductor
Insulation Stripping Length (min.-max.)
Screwdriver

0,5-16 mm ²
0,5-10 mm ²
4 mm ²
AWG 20-6
13-15 mm
KT 4 (0,8x4,0)

0,5-25 mm ²
0,5-16 mm ²
4 mm ²
AWG 20-4
16-18 mm
KT 4 (0,8x4,0)

End Plate



Type	Order No	Qty.
NPP/PYK 10	446 479	50

Type	Order No	Qty.
NPP/PYK 16	450 419	25

Partition Plate



Type	Order No	Qty.
APP PYK 10	463 200	25

Type	Order No	Qty.
------	----------	------

Push-in Cross Connection



Type	Order No	Qty.
UK 10/2	476 252	25
UK 10/3	476 253	20
UK 10/4	476 254	15
UK 10/10	476 259	5

Type	Order No	Qty.
UK 16/2	470 142	25
UK 16/3	470 143	20
UK 16/4	470 144	15
UK 16/5	470 145	10

Technical Data

Rated Impulse Voltage / Pollution severity
Insulation material group / Gauge pin code according to IEC 60947-1
Protection class / Protection conductor type

8/3
1/B6
IP 20 / -

8/3
1/B7
IP 20 / -

Marking Tags (Dekafix)

See pages 326-333 for a list of Dekafix

D-NS 10x10, SLF-P2 W, DG 10/10, SLF-P1 W

D-NS 12x10, DG 10/10, SLF-P1 W, SLF-P2 W

Package Quantity

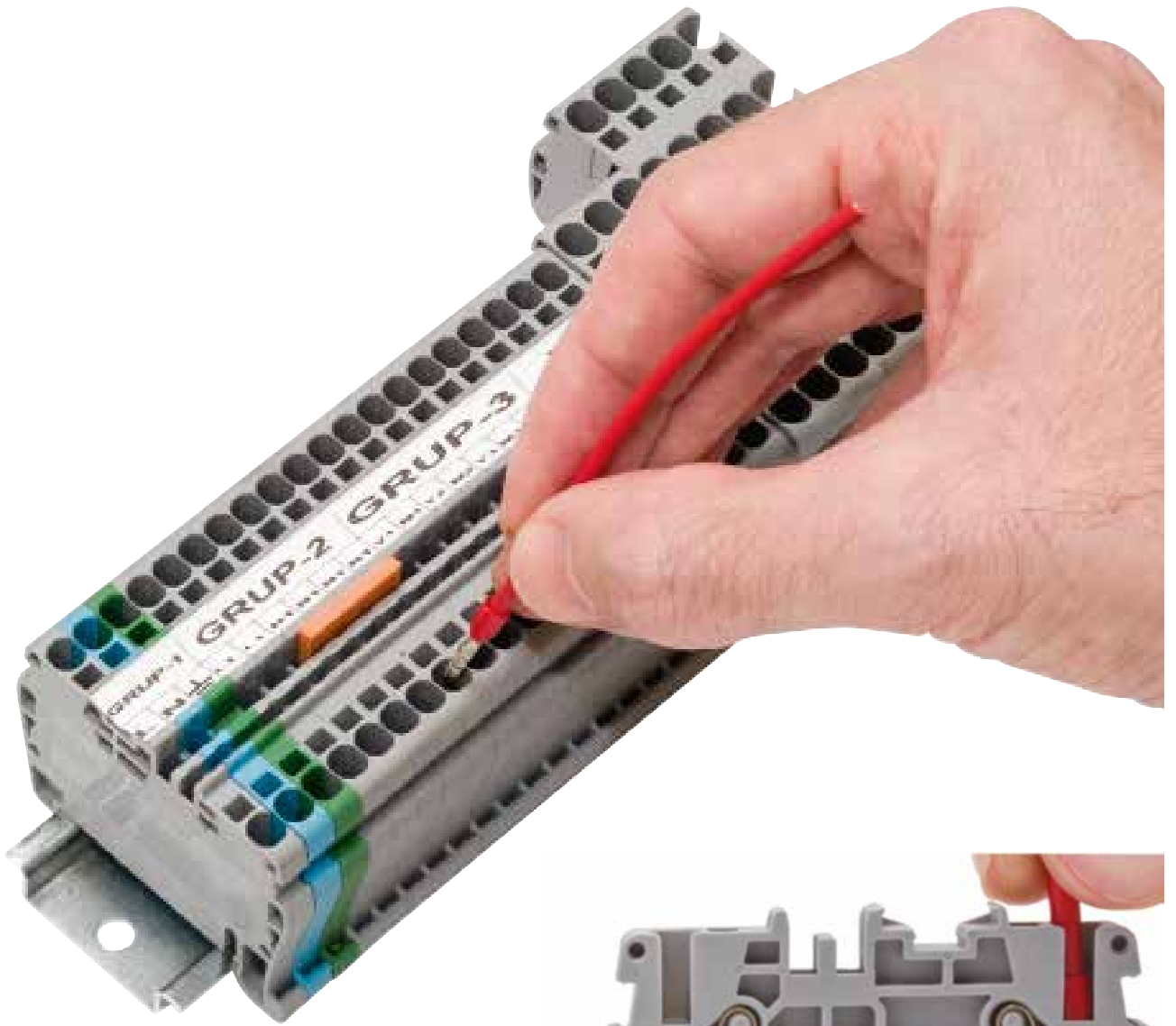
50 pcs.

30 pcs.

Color

Color code is the last digit of the order number

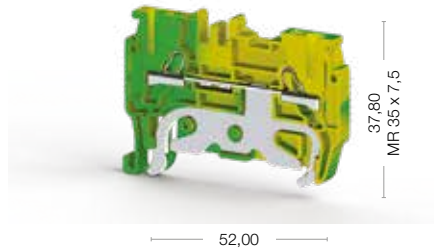
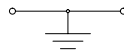
Blue	Green	Yellow	Red	Black	White	Orange	Brown
1	2	3	4	5	6	7	8



Practical Spring Clamp Earth Terminals

PYK 1,5 MT

Width: 4,2 mm

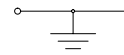


Cat No:

336 440

PYK 1,5 T

Width: 4,2 mm



Cat No:

336 490



Electrical Ratings
CE (EN 60947-7-2)
UL
VDE (IEC 60947-7-2)
CSA
ATEX

Voltage, V ~	Current, A	Cross-Section
		1,5 mm ²
		0,5-2,5 mm ²

Voltage, V ~	Current, A	Cross-Section
		1,5 mm ²
		0,5-2,5 mm ²

Connection Data
Conductor cross section solid (min.-max.)
Conductor cross section stranded (min.-max.)
2 conductors with same cross section, stranded, TWIN ferrules with plastic sleeve
AWG Conductor
Insulation Stripping Length (min.-max.)
Screwdriver

Conductor cross section solid (min.-max.)	Conductor cross section stranded (min.-max.)	2 conductors with same cross section, stranded, TWIN ferrules with plastic sleeve	AWG Conductor	Insulation Stripping Length (min.-max.)	Screwdriver
0,34-2,5 mm ²	0,34-1,5 mm ²	0,5 mm ²	AWG 22-14	9-10 mm	KT 1 (0,4x2,5)

Conductor cross section solid (min.-max.)	Conductor cross section stranded (min.-max.)	2 conductors with same cross section, stranded, TWIN ferrules with plastic sleeve	AWG Conductor	Insulation Stripping Length (min.-max.)	Screwdriver
0,34-2,5 mm ²	0,34-1,5 mm ²	0,5 mm ²	AWG 22-14	9-10 mm	KT 1 (0,4x2,5)

End Plate

Type	Order No	Qty.
NPP/PYK 1,5 MT	446 632 T	100

Type	Order No	Qty.
NPP/PYK 1,5 T	446 442 T	10

Technical Data
Rated Impulse Voltage / Pollution severity
Insulation material group / Gauge pin code according to IEC 60947-1
Protection class / Protection conductor type
Marking Tags (Dekafix)
See pages 326-333 for a list of Dekafix

8/3	1/A1-B1	IP 20 / PE	D-NS 4,2x6, DB 6/4, SLF-P1 W, SLF-P2 W
-----	---------	------------	--

8/3	1/A1-B1	IP 20 / PE	D-NS 4,2x6, DB 6/4, SLF-P1 W, SLF-P2 W
-----	---------	------------	--

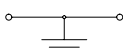
Package Quantity

100 pcs.

100 pcs.

PYK 2,5 T

Width: 5 mm

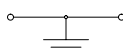


43,00
MR 35 x 7,5

53,40

PYK 4 T

Width: 6 mm



44,00
MR 35 x 7,5

55,90

Cat No:

336 500

Cat No:

336 510

Voltage, V ~	Current, A	Cross-Section
		2,5 mm ²
		AWG 22-12
		2,5 mm ²
		0,5-2,5 mm ²

0,34-4 mm ²		
0,34-2,5 mm ²		
0,5 mm ²		
AWG 22-12		
9-10 mm		
KT 1 (0,4x2,5)		

Type	Order No	Qty.
NPP/PYK 2,5 T	446 442 T	10

8/3		
1/A3		
IP 20 / PE		
D-NS 5x10, SLF-P2 W , DB 10/5, DG 10/5, DG 10/5T, SLF-P1 W		

50 pcs.

Voltage, V ~	Current, A	Cross-Section
		4 mm ²
		AWG 22-10
		4 mm ²
		0,5-2,5 mm ²

0,34-6 mm ²		
0,25-4 mm ²		
1 mm ²		
AWG 22-10		
9-10 mm		
KT 2 (0,5x3,0)		

Type	Order No	Qty.
NPP/PYK 4 T	446 452 T	10

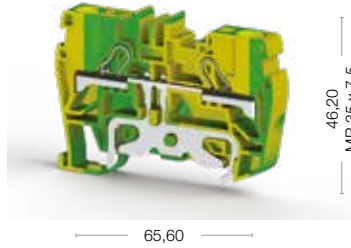
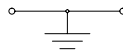
8/3		
1/A4		
IP 20 / PE		
D-NS 6x10, SLF-P2 W , DB 10/5, DG 10/5, DG 10/5T, SLF-P1 W		

50 pcs.

Practical Spring Clamp Earth Terminals

PYK 6 T

Width: 8 mm

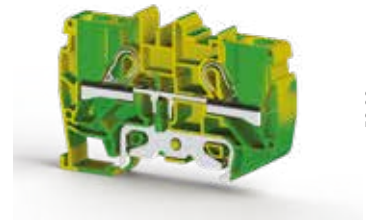
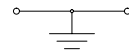


46,20
MR 35 x 7,5

65,60

PYK 10 T

Width: 10 mm



52,00
MR 35 x 7,5

75,40

Cat No:

336 520

Cat No:

336 530



Electrical Ratings
CE (EN 60947-7-2)
UL
VDE (IEC 60947-7-2)
CSA
ATEX

Voltage, V ~	Current, A	Cross-Section
600		6 mm ² AWG 20-8
		0,5-6 mm ²

Voltage, V ~	Current, A	Cross-Section
600		10 mm ² AWG 20-6
		0,5-10 mm ²

Connection Data
Conductor cross section solid (min.-max.)
Conductor cross section stranded (min.-max.)
2 conductors with same cross section, stranded, TWIN ferrules with plastic sleeve
AWG Conductor
Insulation Stripping Length (min.-max.)
Screwdriver

0,5-10 mm ²
0,5-6 mm ²
1,5 mm ²
AWG 20-8
11-13 mm
KT 3 (0,6x3,5)

0,5-16 mm ²
0,5-10 mm ²
4 mm ²
AWG 20-6
13-15 mm
KT 4 (0,8x4,0)



Type	Order No	Qty.
NPP/PYK 6 T	446 462 T	10

Type	Order No	Qty.
NPP/PYK 10 T	446 472 T	10

Technical Data
Rated Impulse Voltage / Pollution severity
Insulation material group / Gauge pin code according to IEC 60947-1
Protection class / Protection conductor type
Marking Tags (Dekafix)
See pages 326-333 for a list of Dekafix

8/3
1/A5
IP 20 / PE
D-NS 8x10, SLF-P2 W, DG 10/8, SLF-P1 W

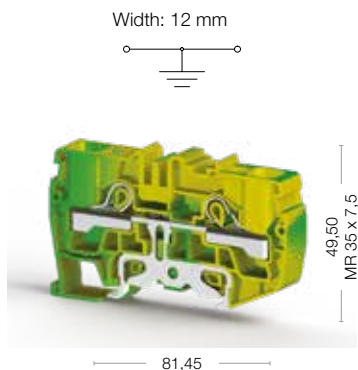
8/3
1/B6
IP 20 / PE
D-NS 10x10, SLF-P2 W, DG 10/10, SLF-P1 W

Package Quantity

60 pcs.

25 pcs.

PYK 16 T



Cat No:

336 640

Voltage, V ~	Current, A	Cross-Section
		16 mm ²
		AWG 20-4

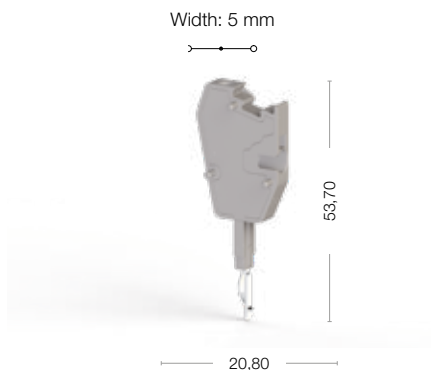
0,5-25 mm ²
0,5-16 mm ²
4 mm ²
AWG 20-4
16-18 mm
KT 4 (0,8x4,0)

Type	Order No	Qty.
NPP/PYK 16 T	450 412 T	25

8/3
1/B7
IP 20 / PE
D-NS 12x10, DG 10/10, SLF-P1 W, SLF-P2 W

30 pcs.

PYK Test



Cat No:

498 559
498 550

Voltage, V ~	Current, A	Cross-Section
250	17,5	1,5 mm ²
300	15	AWG 22-14

0,34-2,5 mm ²
0,34-1,5 mm ²
0,5 mm ²
AWG 22-14
9-10 mm
KT 1 (0,4x2,5)

Type	Order No	Qty.
PYK TEST A	498 659	25

8/3
1/A1-B1
IP 20 / -

25 pcs.

Used for Terminals

307 109	PYK 2,5
307 119	PYK 4
307 229	PYK 4 E
307 169	PYK 2,5 A
307 219	PYK 2,5 CCA
307 389	PYK 2,5 C
307439	PYK 2,5 E
304 200	AVK 2,5 RD
304 210	AVK 4 RD

PYK test terminals, which minimize the time needed for test and control connections, can be marked with Standard marking tags and thermal printer labels. PYK test terminals, being as a group together, Terminals can be used with PYK 2,5 terminals. When PYK Test A plates are added to Test terminals, the Terminals can be used with PYK 4 terminals.

PYKMR Series Mini Terminals

PYKMR 2,5

Width: 5 mm



33,70
MR 35 x 7,5

39,65

Cat No:

- 307 499
- 307 490

PYKM 2,5

Width: 5 mm



41,20
MF 15x6,5

37,70

Cat No:

- 307 399
- 307 390



Electrical Ratings
CE (EN 60947-7-1 / EN 60947-7-2)
UL
VDE (IEC 60947-7-1)
CSA
ATEX

Voltage, V ~	Current, A	Cross-Section
800	24	2,5 mm ²
630	21	0,5-4 mm ²

Voltage, V ~	Current, A	Cross-Section
800	24	2,5 mm ²
600	20	AWG 22-12
690	21	0,5-4 mm ²

Connection Data
Conductor cross section solid (min.-max.)
Conductor cross section stranded (min.-max.)
2 conductors with same cross section, stranded, TWIN ferrules with plastic sleeve
AWG Conductor
Insulation Stripping Length (min.-max.)
Screwdriver

0,34-4 mm ²
0,34-2,5 mm ²
0,5 mm ²
AWG 22-12
9-10 mm
KT 1 (0,4x2,5)

0,34-4 mm ²
0,34-2,5 mm ²
0,5 mm ²
AWG 22-12
9-10 mm
KT 1 (0,4x2,5)

End Plate
Grey
Grey
Yellow- Green
Yellow- Green

Type	Order No	Qty.
NPP1 PYKMR 2,5	446 589	100
NPP2 PYKMR 2,5	446 599	100

Type	Order No	Qty.
NPP1 PYKM 2,5	446 589	100
NPP2 PYKM 2,5	446 599	100

Technical Data
Rated Impulse Voltage / Pollution severity
Insulation material group / Gauge pin code according to IEC 60947-1
Protection class / Protection conductor type
Marking Tags (Dekafix)
See pages 326-333 for a list of Dekafix

8/3
1/A3
IP 20 / -
D-NS 5x6, DB 5, DB 10/5, DG 6/5, DG 10/5T, SLF-P1 W, SLF-P2 W

8/3
1/A3
IP 20 / -
D-NS 5x6, DB 5, DB 10/5, DG 6/5, DG 10/5T, SLF-P1 W, SLF-P2 W

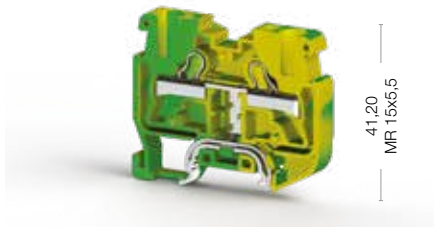
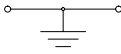
Package Quantity
50 pcs.

50 pcs.

50 pcs.

PYKM 2,5 T


Width: 5 mm



41,20
MP 15x5,5

37,70

Cat No:

 336 430

Voltage, V ~	Current, A	Cross-Section
		2,5 mm ²
		AWG 22-12
		0,5-4 mm ²

0,34-4 mm ²
0,34-2,5 mm ²
0,5 mm ²
AWG 22-12
9-10 mm
KT 1 (0,4x2,5)

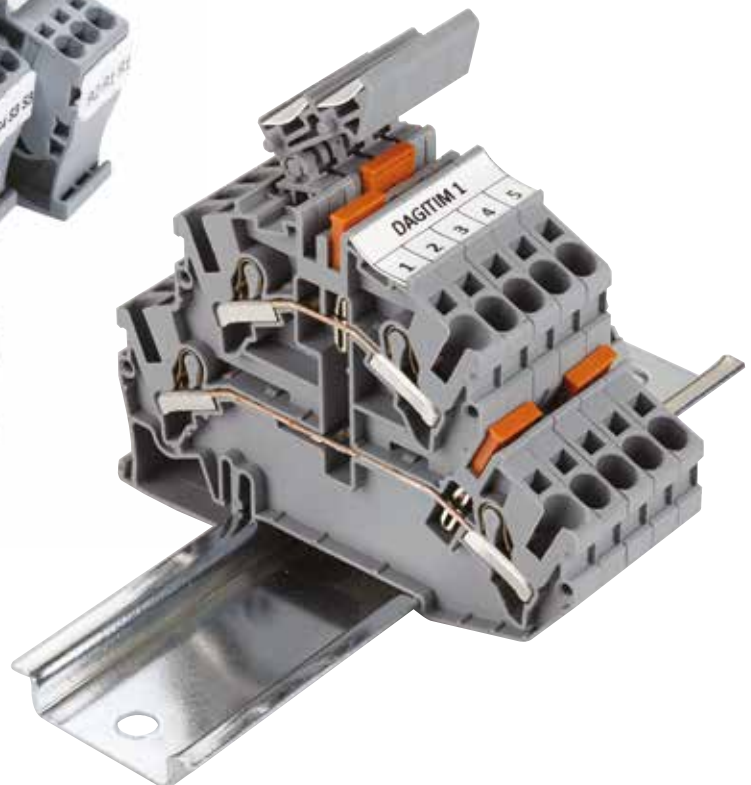
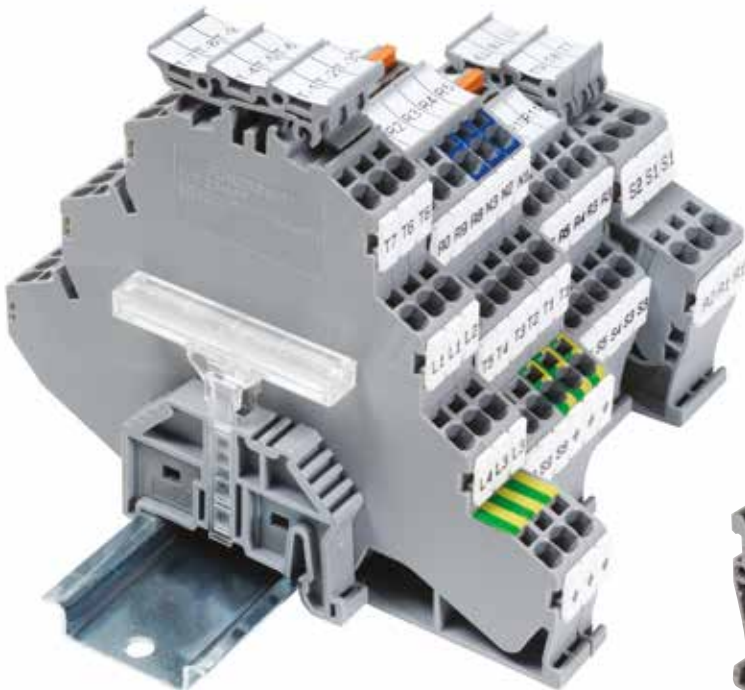
Type	Order No	Qty.
NPP1 PYKM 2,5T	446 582 T	25
NPP2 PYKM 2,5T	446 592 T	25

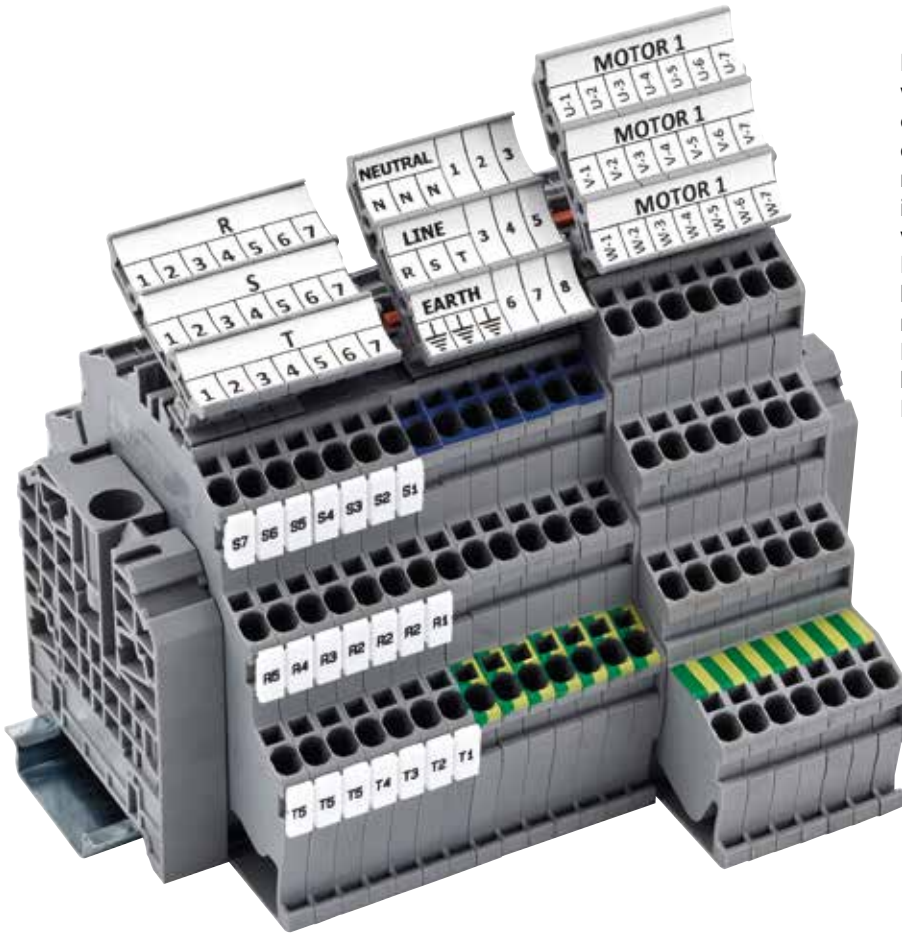
8/3
1/A3
IP 20 / PE
D-NS 5x6, DB 5, DB 10/5, DG 6/5, DG 10/5T, SLF-P1 W, SLF-P2 W

50 pcs.

PYK Series Multilevel Rail Terminals

Double Deck Practical Spring Terminals are available in 2,5 - 4 mm cross section range. Double wiring density available without extension of mounting rails. Interconnection / shorting can be done at both layers. Group marking carrier is used to provide more visual marking in base layer. Special Marking solutions for each cross section can be provided by Thermal Printing and Plotter Labeling.



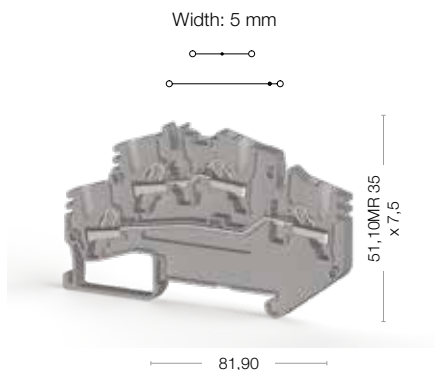


Multilevel Practical Spring Terminals make wiring more practical, reduce the installation costs and speed the wiring. Panels which exist switch lines & lightening, provide phase-neutral-Earth connection in one terminal. Are ideal for usage in industries where motors are working a lot, because of more practical wiring. Provide individual cross connections for each layer. Group marking carrier is used to provide more visual marking in base layer. Special Marking solutions for each cross section can be provided by Thermal Printing and Plotter Labeling.

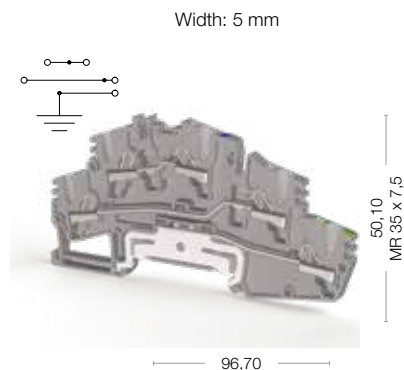


Double - Deck Practical Spring Clamp Line Type Terminals

PYK 2,5 - M2F



PYK 2,5 - M2FT



Cat No:

- 307 699
- 307 690

Cat No:

- 307 709
- 307 700



Electrical Ratings
CE (EN 60947-7-1)
UL
VDE (IEC 60947-7-1)
CSA
ATEX

Voltage, V ~	Current, A	Cross-Section
250	24	2,5 mm ²

Voltage, V ~	Current, A	Cross-Section
250	24	2,5 mm ²

Connection Data
Conductor cross section solid (min.-max.)
Conductor cross section stranded (min.-max.)
2 conductors with same cross section, stranded, TWIN ferrules with plastic sleeve
AWG Conductor
Insulation Stripping Length (min.-max.)
Screwdriver

0,34-4 mm ²
0,34-2,5 mm ²
0,5 mm ²
AWG 22-12
9-10 mm
KT 1 (0,4x2,5)

0,34-4 mm ²
0,34-2,5 mm ²
0,5 mm ²
AWG 22-12
9-10 mm
KT 1 (0,4x2,5)



Type	Order No	Qty.
NPP PYK 2,5-M2F	450 439	10

Type	Order No	Qty.
NPP PYK 2,5-M2FT	450 429	30



Type	Order No	Qty.
UK 2,5/2	476 222	25
UK 2,5/3	476 223	20
UK 2,5/4	476 224	15
UK 2,5/10	476 229	5
UK 2,5/16	474 260	10
UK 2,5/20	474 200	10

Type	Order No	Qty.
UK 2,5/2	476 222	25
UK 2,5/3	476 223	20
UK 2,5/4	476 224	15
UK 2,5/10	476 229	5
UK 2,5/16	474 260	10
UK 2,5/20	474 200	10

Technical Data
Rated Impulse Voltage / Pollution severity
Insulation material group / Gauge pin code according to IEC 60947-1
Protection class / Protection conductor type
Marking Tags (Dekafix)
See pages 326-333 for a list of Dekafix

6/3
1/A3
IP 20 / -
D-NS 5x10, DB 10/5, DG 10/5, DG 10/5T, SLF-P1 W

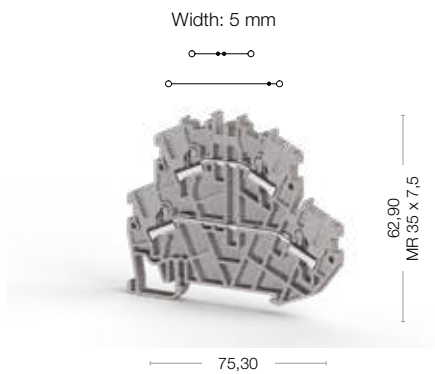
6/3
1/A3
IP 20 / -
D-NS 5x10, DB 10/5, DG 10/5, DG 10/5T, SLF-P1 W

Package Quantity

30 pcs.

30 pcs.

PYK 2,5 - 2 F



Cat No:

- 307 179
- 307 170

Voltage, V ~	Current, A	Cross-Section
500	24	2,5 mm ²
300	20	AWG 22-12
400	18	0,5-2,5 mm ²

0,34-4 mm ²
0,34-2,5 mm ²
0,5 mm ²
AWG 22-12
9-10 mm
KT 1 (0,4x2,5)

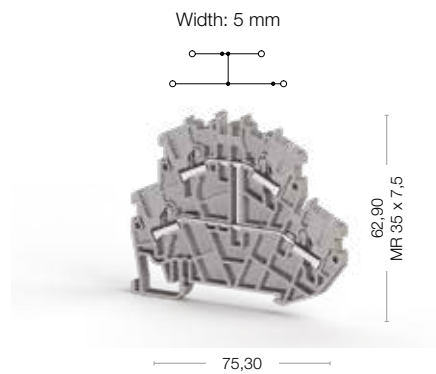
Type	Order No	Qty.
NPP PYK 2,5-2 F	446 519	10

Type	Order No	Qty.
UK 2,5/2	476 222	25
UK 2,5/3	476 223	20
UK 2,5/4	476 224	15
UK 2,5/10	476 229	5
UK 2,5/16	474 260	10
UK 2,5/20	474 200	10

6/3
1/A3
IP 20 / -
D-NS 5x10, DB 10/5, DG 10/5, DG, 10/5T, SLF-P1 W

40 pcs.

PYK 2,5 - 2 FK



Cat No:

- 307 239
- 307 230

Voltage, V ~	Current, A	Cross-Section
500	24	2,5 mm ²
300	20	AWG 20-12

0,34-4 mm ²
0,34-2,5 mm ²
0,5 mm ²
AWG 22-12
9-10 mm
KT 1 (0,4x2,5)

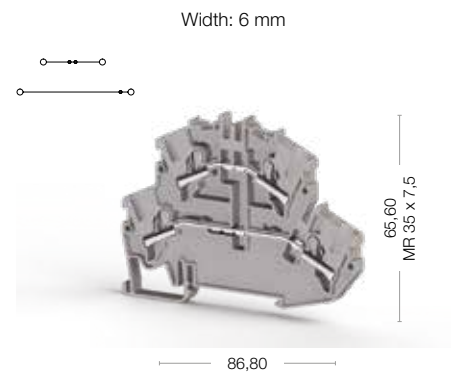
Type	Order No	Qty.
NPP PYK 2,5-2 FK	446 519	10

Type	Order No	Qty.
UK 2,5/2	476 222	25
UK 2,5/3	476 223	20
UK 2,5/4	476 224	15
UK 2,5/10	476 229	5
UK 2,5/16	474 260	10
UK 2,5/20	474 200	10

6/3
1/A3
IP 20 / -
D-NS 5x10, DB 10/5, DG 10/5, DG 10/5T, SLF-P1 W

40 pcs.

PYK 4 - 2 FN



Cat No:

- 307 579
- 307 570

Voltage, V ~	Current, A	Cross-Section
500	32	4 mm ²

0,34-6 mm ²
0,25-4 mm ²
1 mm ²
AWG 22-10
9-10 mm
KT 2 (0,5x3,0)

Type	Order No	Qty.
NPP PYK 4-2 FN	446 669	25

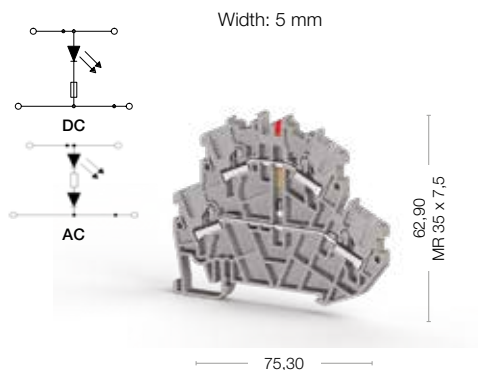
Type	Order No	Qty.
UK 4/2	476 232	25
UK 4/3	476 233	20
UK 4/4	476 234	15
UK 4/10	476 239	5

6/3
1/A4
IP 20 / -
D-NS 6x10, DB 10/6, DG 10/6, DG 10/6T, SLF-P1 W

25 pcs.

Double - Deck Practical Spring Clamp Terminals

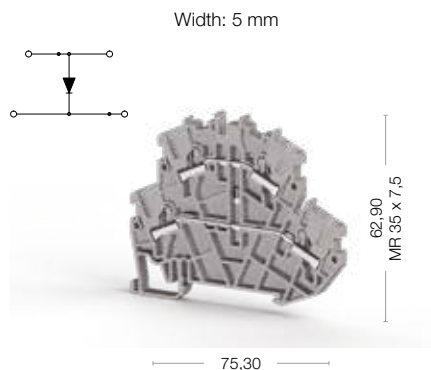
PYK 2,5 - 2 FLD



Cat No:

- 307 349
- 307 340

PYK 2,5 - 2 FD A



Cat No:

- 307 369
- 307 360



Electrical Ratings
CE (EN 60947-7-1)
UL
VDE (IEC 60947-7-1)
CSA
ATEX

Voltage, V ~	Current, A	Cross-Section
	24	2,5 mm ²

Voltage, V ~	Current, A	Cross-Section
500	1	2,5 mm ²

Connection Data
Conductor cross section solid (min.-max.)
Conductor cross section stranded (min.-max.)
2 conductors with same cross section, stranded, TWIN ferrules with plastic sleeve
AWG Conductor
Insulation Stripping Length (min.-max.)
Screwdriver

0,34-4 mm ²
0,34-2,5 mm ²
0,5 mm ²
AWG 22-12
9-10 mm
KT 1 (0,4x2,5)

0,34-4 mm ²
0,34-2,5 mm ²
0,5 mm ²
AWG 22-12
9-10 mm
KT 1 (0,4x2,5)

Ordering Data

Type	Order No	Qty.
24V DC	307 349	40
220V AC	307 359	40

Type	Order No	Qty.

Technical Data For Diode
Diode Voltage
Diode Current
Diod

1000 V
1 A
1 N 4007

End Plate


Type	Order No	Qty.
NPP PYK 2,5-2 FLD	446 519	10

Type	Order No	Qty.
NPP PYK 2,5-2 F	446 519	10

Cross Connection


Type	Order No	Qty.
UK 2,5/2	476 222	25
UK 2,5/3	476 223	20
UK 2,5/4	476 224	15
UK 2,5/10	476 229	5
UK 2,5/16	474 260	10
UK 2,5/20	474 200	10

Type	Order No	Qty.
UK 2,5/2	476 222	25
UK 2,5/3	476 223	20
UK 2,5/4	476 224	15
UK 2,5/10	476 229	5
UK 2,5/16	474 260	10
UK 2,5/20	474 200	10

Technical Data
Rated Impulse Voltage / Pollution severity
Insulation material group / Gauge pin code according to IEC 60947-1
Protection class / Protection conductor type
Marking Tags (Dekafix)
See pages 326-333 for a list of Dekafix

6/3
1/A3
IP 20 / -
D-NS 5x10, DB 10/5, DG 10/5, DG 10/5T, SLF-P1 W

6/3
1/A3
IP 20 / -
D-NS 5x10, DB 10/5, DG 10/5, DG 10/5T, SLF-P1 W

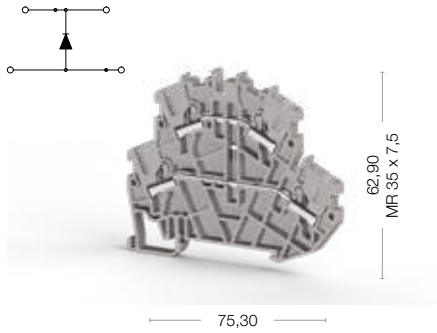
Package Quantity

40 pcs.

40 pcs.

PYK 2,5 - 2 FD B

Width: 5 mm



Cat No:

- 307 379
- 307 370

Voltage, V ~	Current, A	Cross-Section
500	1	2,5 mm ²

0,34-4 mm ²
0,34-2,5 mm ²
0,5 mm ²
AWG 22-12
9-10 mm
KT 1 (0,4x2,5)

1000 V
1 A
1 N 4007

Type	Order No	Qty.
NPP PYK 2,5-2 F	446 519	10

Type	Order No	Qty.
UK 2,5/2	476 222	25
UK 2,5/3	476 223	20
UK 2,5/4	476 224	15
UK 2,5/10	476 229	5
UK 2,5/16	474 260	10
UK 2,5/20	474 200	10

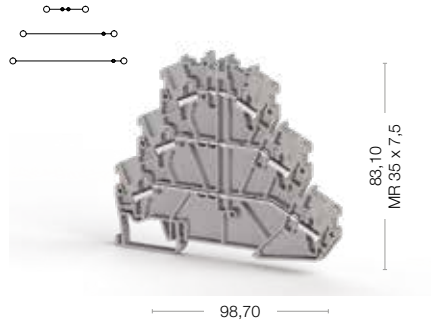
6/3
1/A3
IP 20 / -
D-NS 5x10, DB 10/5, DG 10/5, DG 10/5T, SLF-P1 W

40 pcs.

Multilevel Practical Spring Clamp Terminals

PYK 2,5 - 3 F

Width: 5 mm

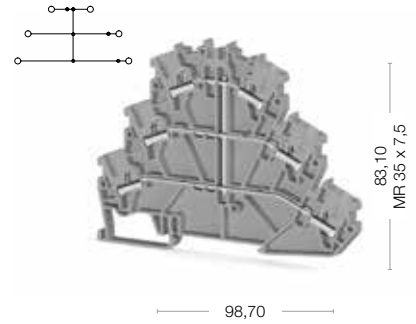


Cat No:

307 199
307 190

PYK 2,5 - 3 FK

Width: 5 mm



Cat No:

307 559
307 550



Electrical Ratings
CE (EN 60947-7-1 / EN 60947-7-2)
UL
VDE (IEC 60947-7-1)
CSA
ATEX

Voltage, V ~	Current, A	Cross-Section
500	24	2,5 mm ²
300	20	AWG 22-12
500	18	0,5-2,5 mm ²

Voltage, V ~	Current, A	Cross-Section
500	24	2,5 mm ²

Connection Data
Conductor cross section solid (min.-max.)
Conductor cross section stranded (min.-max.)
2 conductors with same cross section, stranded, TWIN ferrules with plastic sleeve
AWG Conductor
Insulation Stripping Length (min.-max.)
Screwdriver

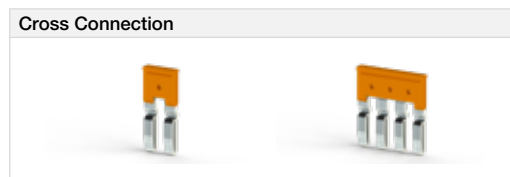
0,34-4 mm ²
0,34-2,5 mm ²
0,5 mm ²
AWG 22-12
9-10 mm
KT 1 (0,4x2,5)

0,34-4 mm ²
0,34-2,5 mm ²
0,5 mm ²
AWG 22-12
9-10 mm
KT 1 (0,4x2,5)



Type	Order No	Qty.
NPP PYK 2,5-3 F	446 529	10

Type	Order No	Qty.
NPP PYK 2,5-3 FK	446 529	10



Type	Order No	Qty.
UK 2,5/2	476 222	25
UK 2,5/3	476 223	20
UK 2,5/4	476 224	15
UK 2,5/10	476 229	5
UK 2,5/16	474 260	10
UK 2,5/20	474 200	10

Type	Order No	Qty.
UK 2,5/2	476 222	25
UK 2,5/3	476 223	20
UK 2,5/4	476 224	15
UK 2,5/10	476 229	5
UK 2,5/16	474 260	10
UK 2,5/20	474 200	10

Technical Data
Rated Impulse Voltage / Pollution severity
Insulation material group / Gauge pin code according to IEC 60947-1
Protection class / Protection conductor type
Marking Tags (Dekafix)
See pages 326-333 for a list of Dekafix

6/3
1/A3
IP 20 / -
D-NS 5x10, SLF-P2 W, DB 10/5, DG 10/5, DG 10/5T, SLF-P1 W

6/3
1/A3
IP 20 / -
D-NS 5x10, SLF-P2 W, DB 10/5, DG 10/5, DG 10/5T, SLF-P1 W

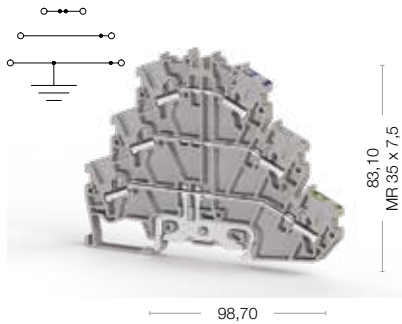
Package Quantity

30 pcs.

30 pcs.

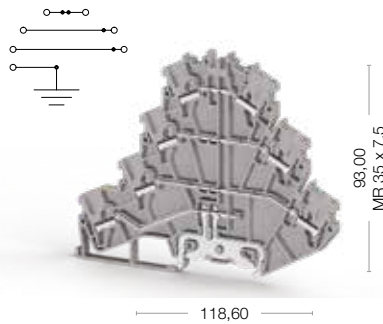
PYK 2,5 - 2 FT

Width: 5 mm



PYK 2,5 - 3 FT

Width: 5 mm



Cat No:

307 189
307 180

Voltage, V ~	Current, A	Cross-Section
500	24	2,5 mm ²
300	20	AWG 22-12
400	18	0,5-2,5 mm ²

0,34-4 mm ²
0,34-2,5 mm ²
0,5 mm ²
AWG 22-12
9-10 mm
KT 1 (0,4x2,5)

Type	Order No	Qty.
NPP PYK 2,5-2 FT	446 529	10

Type	Order No	Qty.
UK 2,5/2	476 222	25
UK 2,5/3	476 223	20
UK 2,5/4	476 224	15
UK 2,5/10	476 229	5
UK 2,5/16	474 260	10
UK 2,5/20	474 200	10

6/3
1/A3
IP 20 / -
D-NS 5x10, SLF-P2 W, DB 10/5, DG 10/5, DG 10/5T, SLF-P1 W

30 pcs.

Cat No:

307 209
307 200

Voltage, V ~	Current, A	Cross-Section
500	24	2,5 mm ²
300	20	AWG 22-12
400	18	0,5-2,5 mm ²

0,34-4 mm ²
0,34-2,5 mm ²
0,5 mm ²
AWG 22-12
9-10 mm
KT 1 (0,4x2,5)

Type	Order No	Qty.
NPP PYK 2,5-3 FT	446 539	30

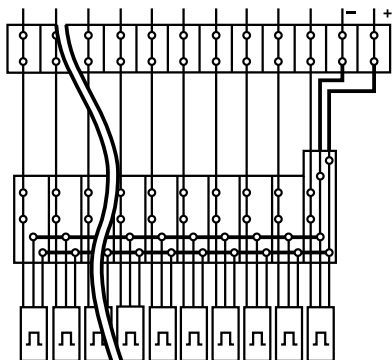
Type	Order No	Qty.
UK 2,5/2	476 222	25
UK 2,5/3	476 223	20
UK 2,5/4	476 224	15
UK 2,5/10	476 229	5
UK 2,5/16	474 260	10
UK 2,5/20	474 200	10

6/3
1/A3
IP 20 / -
D-NS 5x10, SLF-P2 W, DB 10/5, DG 10/5, DG 10/5T, SLF-P1 W

30 pcs.

PYK Series Sensor / Fuse and Disconnect / Disconnect Terminals

Practical Spring Clamp Fuse Terminals has a sliding type hinged carrier that has a specially designed space for cartridge type glass fuse of size $\text{Ø}5 \times 20$ or $\text{Ø}5 \times 25$. Both sides of the terminals are closed and available for cross connection. Special Marking solutions can be provided by Plotter Labeling.



Practical Spring Terminals are making sensor connections, which are often used in industry, more practical and esthetic. All PYK series with single layer are available with marking strip printed on Thermal printer, using Klemark Software. Terminals can be used with NPN and PNP types of sensors. Special Marking solutions for each cross section can be provided by Thermal Printing and Plotter Labeling.





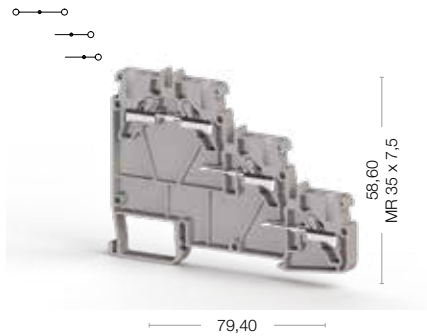
PYK series Disconnect Terminals enables to safely open-close the circuit , when the energy is on in the system. Can be marked with Thermal marking strip and cross-connected together with all other single-level terminals. Special Marking solutions can be provided by Thermal Printing and Plotter Labeling.



Practical Spring Clamp Sensor Terminals

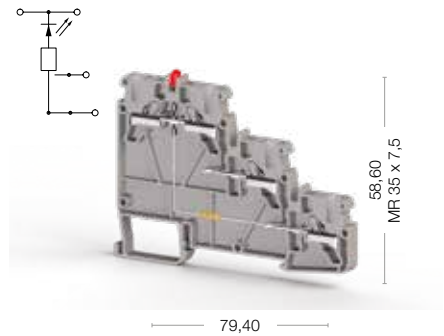
PYK 3 S

Width: 5 mm



PYK 3 SLD (NPN)

Width: 5 mm



Cat No:

- 307 409
- 307 400

Cat No:

- 307 419
- 307 410



Electrical Ratings
CE (EN 60947-7-1)
UL
VDE (IEC 60947-7-1)
CSA
ATEX

Voltage, V ~	Current, A	Cross-Section
250	24	2,5 mm ²
300	20	AWG 22-12

Voltage, V ~	Current, A	Cross-Section
24	24	2,5 mm ²

Connection Data
Conductor cross section solid (min.-max.)
Conductor cross section stranded (min.-max.)
2 conductors with same cross section, stranded, TWIN ferrules with plastic sleeve
AWG Conductor
Insulation Stripping Length (min.-max.)
Screwdriver

0,34-4 mm ²
0,34-2,5 mm ²
0,5 mm ²
AWG 22-12
9-10 mm
KT 1 (0,4x2,5)

0,34-4 mm ²
0,34-2,5 mm ²
0,5 mm ²
AWG 22-12
9-10 mm
KT 1 (0,4x2,5)



Type	Order No	Qty.
NPP PYK 3 S	446 609	10

Type	Order No	Qty.
NPP PYK 3 S	446 609	10



Type	Order No	Qty.
UK 2,5/2	476 222	25
UK 2,5/3	476 223	20
UK 2,5/4	476 224	15
UK 2,5/10	476 229	5
UK 2,5/16	474 260	10
UK 2,5/20	474 200	10

Type	Order No	Qty.
UK 2,5/2	476 222	25
UK 2,5/3	476 223	20
UK 2,5/4	476 224	15
UK 2,5/10	476 229	5
UK 2,5/16	474 260	10
UK 2,5/20	474 200	10

Technical Data
Rated Impulse Voltage / Pollution severity
Insulation material group / Gauge pin code according to IEC 60947-1
Protection class / Protection conductor type
Marking Tags (Dekafix)
See pages 326-333 for a list of Dekafix

8/3
1/A3
IP 20 / -
D-NS 5x10, SLF-P2 W, DB 10/5, DG 10/5, DG 10/5T

8/3
1/A3
IP 20 / -
D-NS 5x10, SLF-P2 W, DB 10/5, DG 10/5, DG 10/5T

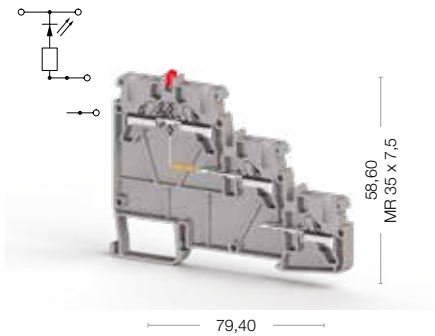
Package Quantity

20 pcs.

20 pcs.

PYK 3 SLD (PNP)

Width: 5 mm



Cat No:

- 307 429
- 307 420

Voltage, V ~	Current, A	Cross-Section
24	24	2,5 mm ²

0,34-4 mm ²
0,34-2,5 mm ²
0,5 mm ²
AWG 22-12
9-10 mm
KT 1 (0,4x2,5)

Type	Order No	Qty.
NPP PYK 3 S	446 609	10

Type	Order No	Qty.
UK 2,5/2	476 222	25
UK 2,5/3	476 223	20
UK 2,5/4	476 224	15
UK 2,5/10	476 229	5
UK 2,5/16	474 260	10
UK 2,5/20	474 200	10

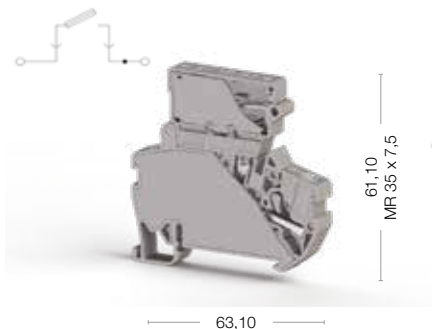
8/3
1/A3
IP 20 / -
D-NS 5x10, SLF-P2 W, DB 10/5, DG 10/5, DG 10/5T

20 pcs.

Practical Spring Clamp Fuse and Disconnect Terminals

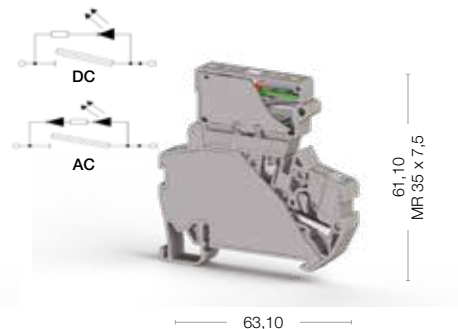
PYK 4 S

Width: 8 mm



PYK 4 SLD

Width: 8 mm



Cat No:

307 249
307 240

Cat No:

307 259
307 250



Electrical Ratings
CE (EN 60947-7-3)
UL
VDE (IEC 60947-7-3)
CSA
ATEX

Voltage, V ~	Current, A	Cross-Section
500	10	4 mm ²
300	10	AWG 22-10

Voltage, V ~	Current, A	Cross-Section
	10	4 mm ²
	10	AWG 22-10

Connection Data
Conductor cross section solid (min.-max.)
Conductor cross section stranded (min.-max.)
2 conductors with same cross section, stranded, TWIN ferrules with plastic sleeve
AWG Conductor
Insulation Stripping Length (min.-max.)
Screwdriver

0,34-6 mm ²
0,25-4 mm ²
1 mm ²
AWG 22-10
9-10 mm
KT 2 (0,5x3,0)

0,34-6 mm ²
0,25-4 mm ²
1 mm ²
AWG 22-10
9-10 mm
KT 2 (0,5x3,0)

Ordering Data
Grey
Beige
Grey
Beige

Type	Order No	Qty.
PYK 4 S (5x20)	307 249	15
PYK 4 S (5x20)	307 240	15
PYK 4 S (5x25)	307 289	15
PYK 4 S (5x25)	307 280	15

Type	Order No	Qty.
PYK 4 SLD (5x20)	307 259 (24V DC)	15
PYK 4 SLD (5x20)	307 269 (220V AC)	15
PYK 4 SLD (5x25)	307 299 (24V DC)	15
PYK 4 SLD (5x25)	307 309 (220V AC)	15



Type	Order No	Qty.
UK 6/2	476 242	25
UK 6/3	476 243	20
UK 6/4	476 244	15
UK 6/10	476 249	5

Type	Order No	Qty.
UK 6/2	476 242	25
UK 6/3	476 243	20
UK 6/4	476 244	15
UK 6/10	476 249	5

Technical Data
Rated Impulse Voltage / Pollution severity
Insulation material group / Gauge pin code according to IEC 60947-1
Protection class / Protection conductor type
Fuse / Fuse Type
Marking Tags (Dekafix)
See pages 326-333 for a list of Dekafix

6/3
1/A4
IP 20 / -
G/5x20-5x25
D-NS 8x10, SLF-P2 W, DB 5, DG 10/8

6/3
1/A4
IP 20 / -
G/5x20-5x25
D-NS 8x10, SLF-P2 W, DB 5, DG 10/8

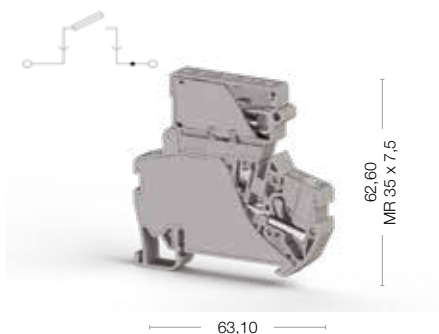
Package Quantity
15 pcs.

15 pcs.

Package Quantity
15 pcs.

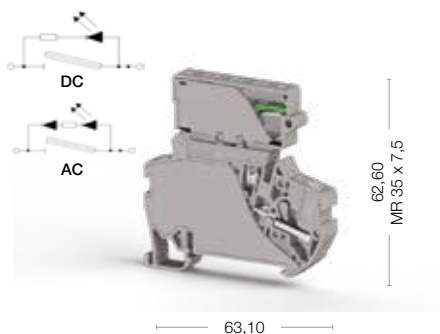
PYK 4 I

Width: 8 mm



PYK 4 ILD

Width: 8 mm



Cat No:

- 307 319
- 307 310

Voltage, V ~	Current, A	Cross-Section
500	10	4 mm ²
300	10	AWG 22-10

0,34-6 mm ²
0,25-4 mm ²
1 mm ²
AWG 22-10
9-10 mm
KT 2 (0,5x3,0)

Type	Order No	Qty.

Type	Order No	Qty.
UK 6/2	476 242	25
UK 6/3	476 243	20
UK 6/4	476 244	15
UK 6/10	476 249	5

6/3
1/A4
IP 20 / -
G/6,35x31,75
D-NS 8x10, SLF-P2 W, DB 5, DG 10/8

15 pcs.

Cat No:

- 307 329
- 307 320

Voltage, V ~	Current, A	Cross-Section
	10	4 mm ²
	10	AWG 22-10

0,34-6 mm ²
0,25-4 mm ²
1 mm ²
AWG 22-10
9-10 mm
KT 2 (0,5x3,0)

Type	Order No	Qty.
PYK 4 ILD	307 329 (24V DC)	15
PYK 4 ILD	307 339 (220V AC)	15

Type	Order No	Qty.
UK 6/2	476 242	25
UK 6/3	476 243	20
UK 6/4	476 244	15
UK 6/10	476 249	5

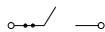
6/3
1/A4
IP 20 / -
G/6,35x31,75
D-NS 8x10, SLF-P2 W, DB 5, DG 10/8

15 pcs.

Practical Spring Clamp Fuse and Disconnect Terminals

PYK 2,5 A

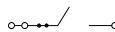
Width: 5 mm



70,80

PYK 2,5 EA

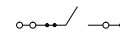
Width: 5 mm



82,40

PYK 2,5 CCA

Width: 5 mm



93,90

Cat No:

307 169
307 160

Cat No:

307 459
307 450

Cat No:

307 219
307 210



Electrical Ratings
CE (EN 60947-7-1)
UL
VDE (IEC 60947-7-1)
CSA
ATEX

Voltage, V ~	Current, A	Cross-Section
400	20	2,5 mm ²
300	16	AWG 22-12

Voltage, V ~	Current, A	Cross-Section
400	16	2,5 mm ²

Voltage, V ~	Current, A	Cross-Section
400	16	2,5 mm ²
300	10	AWG 22-12

Connection Data
Conductor cross section solid (min.-max.)
Conductor cross section stranded (min.-max.)
2 conductors with same cross section, stranded, TWIN ferrules with plastic sleeve
AWG Conductor
Insulation Stripping Length (min.-max.)
Screwdriver

0,34-4 mm ²
0,34-2,5 mm ²
0,5 mm ²
AWG 22-12
9-10 mm
KT 1 (0,4x2,5)

0,34-4 mm ²
0,34-2,5 mm ²
0,5 mm ²
AWG 22-12
9-10 mm
KT 1 (0,4x2,5)

0,34-4 mm ²
0,34-2,5 mm ²
0,5 mm ²
AWG 22-12
9-10 mm
KT 1 (0,4x2,5)

End Plate

Type	Order No	Qty.
NPP/PYK 2,5 A	446 509	100

Type	Order No	Qty.
NPP/PYK 2,5 EA	446 629	100

Type	Order No	Qty.
NPP/PYK 2,5 CCA	446 549	100

Push-in Cross Connection

Type	Order No	Qty.
UK 2,5/2	476 222	25
UK 2,5/3	476 223	20
UK 2,5/4	476 224	15
UK 2,5/10	476 229	5
UK 2,5/16	474 260	10
UK 2,5/20	474 200	10

Type	Order No	Qty.
UK 2,5/2	476 222	25
UK 2,5/3	476 223	20
UK 2,5/4	476 224	15
UK 2,5/10	476 229	5
UK 2,5/16	474 260	10
UK 2,5/20	474 200	10

Type	Order No	Qty.
UK 2,5/2	476 222	25
UK 2,5/3	476 223	20
UK 2,5/4	476 224	15
UK 2,5/10	476 229	5
UK 2,5/16	474 260	10
UK 2,5/20	474 200	10

Technical Data
Rated Impulse Voltage / Pollution severity
Insulation material group / Gauge pin code according to IEC 60947-1
Protection class / Protection conductor type
Marking Tags (Dekafix)
See pages 326-333 for a list of Dekafix

4/3
1/A3
IP 20 / -
D-NS 5x10, SLF-P2 W, DB 10/5, DG 10/5, DG 10/5T, SLF-P1 W

4/3
1/A3
IP 20 / -
D-NS 5x10, SLF-P2 W, DB 10/5, DG 10/5, DG 10/5T, SLF-P1 W

4/3
1/A3
IP 20 / -
D-NS 5x10, SLF-P2 W, DB 10/5, DG 10/5, DG 10/5T, SLF-P1 W

Package Quantity
50 pcs.

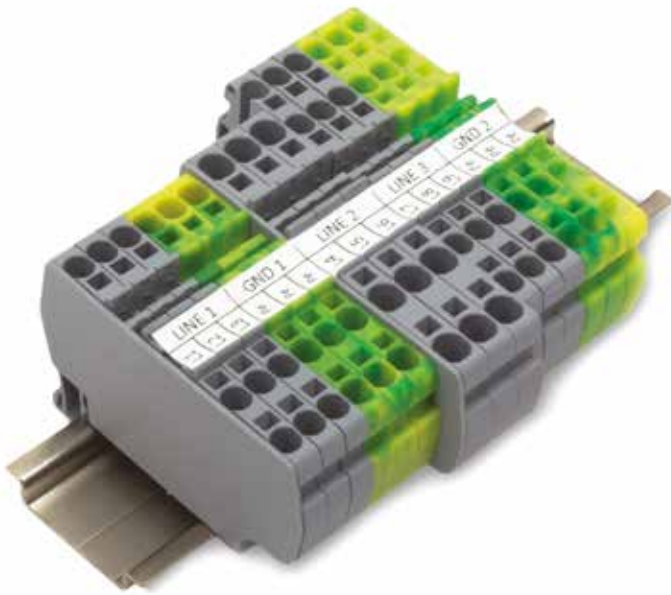
50 pcs.

Package Quantity
60 pcs.

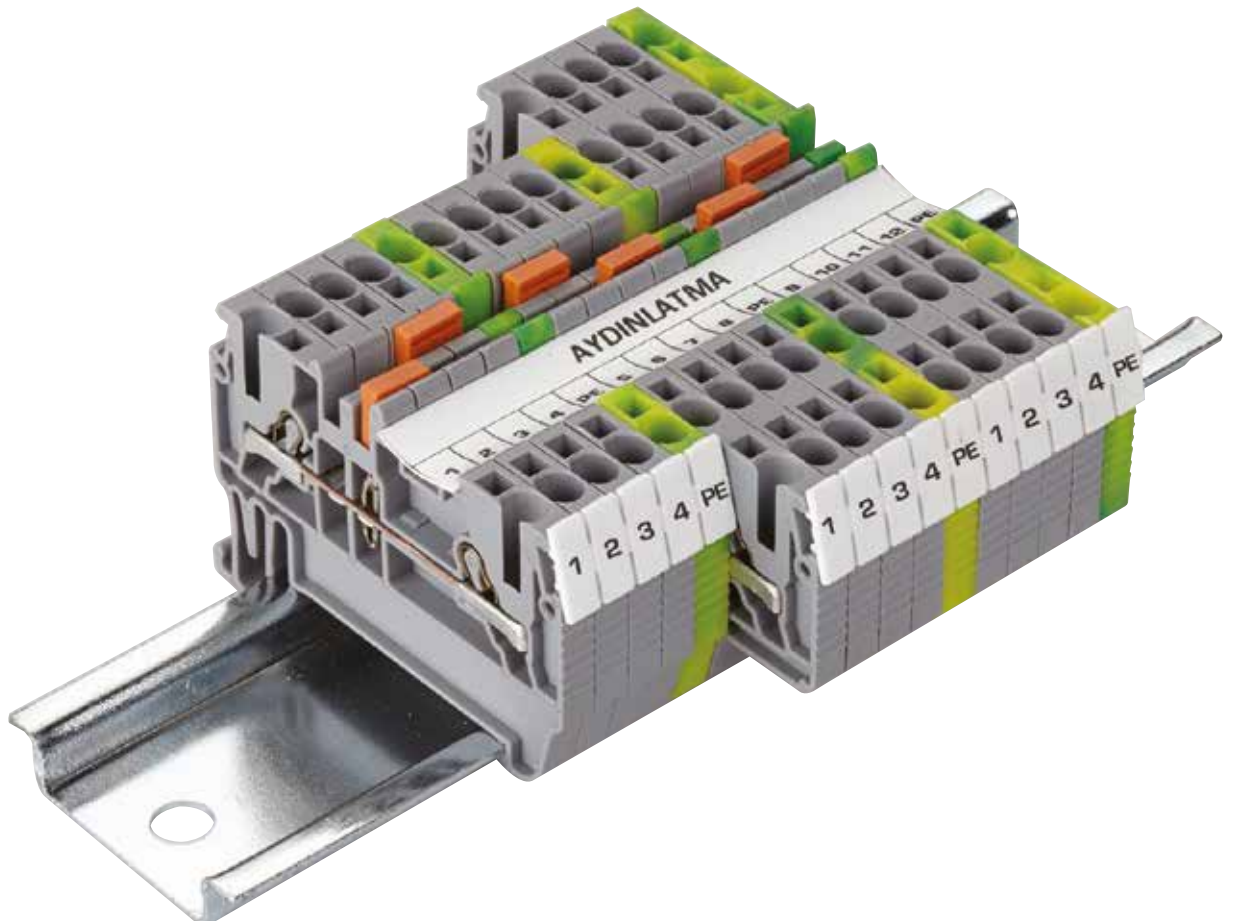
60 pcs.

PYK Series Multi input/output Terminals

PYK Series One Input - Two Output Two Input - Two Output Terminals



PYK Series Multi Input/Output Terminals make wiring more practical, reduce the installation costs where double and multilevel terminals cannot be used in the panels. Marking is available with all single layer PYK type terminals. Terminals can be used with test terminals and cross connection is available. Have same features in Earth terminals with same cross sections. Special Marking solutions for each cross section can be provided by Thermal Printing and Plotter Labeling.



PYK Series

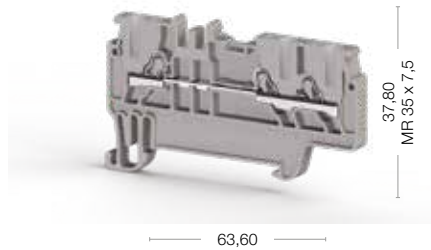
One Input - Two Output

Two Input - Two Output

Terminals

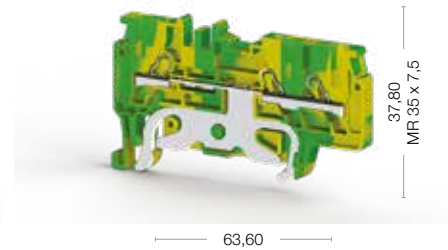
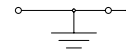
PYK 1,5 ME

Width: 4,2 mm



PYK 1,5 MET

Width: 4,2 mm



Cat No:

307 039
307 030

Cat No:

336 460



Electrical Ratings
CE (EN 60947-7-1 - EN 60947-7-2)
UL
VDE (IEC 60947-7-1)
CSA
ATEX

Voltage, V ~	Current, A	Cross-Section
800	17,5	1,5 mm ²
500	15	0,5-2,5 mm ²

Voltage, V ~	Current, A	Cross-Section
		1,5 mm ²
		0,5-2,5 mm ²

Connection Data
Conductor cross section solid (min.-max.)
Conductor cross section stranded (min.-max.)
2 conductors with same cross section, stranded, TWIN ferrules with plastic sleeve
AWG Conductor
Insulation Stripping Length (min.-max.)
Screwdriver

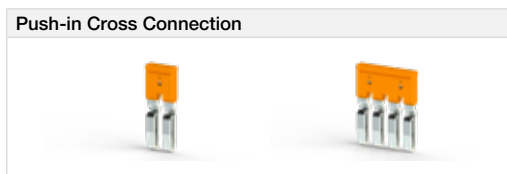
0,34-2,5 mm ²
0,34-1,5 mm ²
0,5 mm ²
AWG 22-14
9-10 mm
KT 1 (0,4x2,5)

0,34-2,5 mm ²
0,34-1,5 mm ²
0,5 mm ²
AWG 22-14
9-10 mm
KT 1 (0,4x2,5)



Type	Order No	Qty.
NPP/PYK 1,5 ME	446 649	100

Type	Order No	Qty.
NPP/PYK 1,5 MET	446 642T	100



Type	Order No	Qty.
UK 1,5/2	476 602	25
UK 1,5/3	476 603	20
UK 1,5/4	476 604	15
UK 1,5/10	476 609	5

Type	Order No	Qty.
------	----------	------

Technical Data
Rated Impulse Voltage / Pollution severity
Insulation material group / Gauge pin code according to IEC 60947-1
Protection class / Protection conductor type
Marking Tags (Dekafix)
See pages 326-333 for a list of Dekafix

8/3
1/A1-B1
IP 20 / -
D-NS 4,2x6, DB 6/4

8/3
1/A1-B1
IP 20 / -
D-NS 4,2x6, DB 6/4

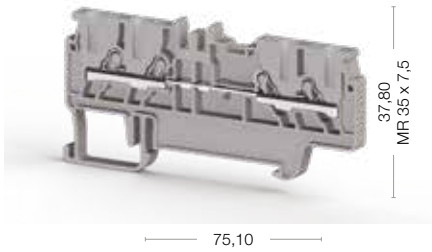
Package Quantity
70 pcs.

70 pcs.

70 pcs.

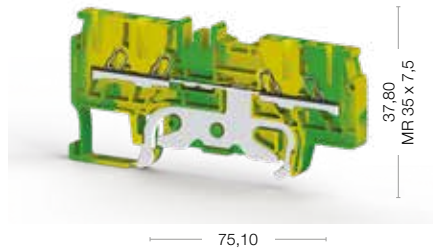
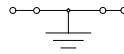
PYK 1,5 MC

Width: 4,2 mm



PYK 1,5 MCT

Width: 4,2 mm



Cat No:

307 029
307 020

Voltage, V ~	Current, A	Cross-Section
800	17,5	1,5 mm ²
500	15	0,5-2,5 mm ²

0,34-2,5 mm ²
0,34-1,5 mm ²
0,5 mm ²
AWG 22-14
9-10 mm
KT 1 (0,4x2,5)

Type	Order No	Qty.
NPP/PYK 1,5 MC	446 659	100

Type	Order No	Qty.
UK 1,5/2	476 602	25
UK 1,5/3	476 603	20
UK 1,5/4	476 604	15
UK 1,5/10	476 609	5

8/3
1/A1-B1
IP 20 / -
D-NS 4,2x6, DB 6/4

70 pcs.

Cat No:

336 450

Voltage, V ~	Current, A	Cross-Section
		1,5 mm ²
		0,5-2,5 mm ²

0,34-2,5 mm ²
0,34-1,5 mm ²
0,5 mm ²
AWG 22-14
9-10 mm
KT 1 (0,4x2,5)

Type	Order No	Qty.
NPP/PYK 1,5 MCT	446 652T	100

Type	Order No	Qty.

8/3
1/A1-B1
IP 20 / -
D-NS 4,2x6, DB 6/4

70 pcs.

PYK Series

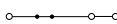
One Input - Two Output

Two Input - Two Output

Terminals

PYK 2,5 E

Width: 5 mm

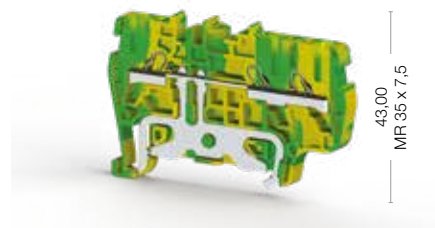
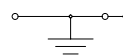


43,00
MR 35 x 7,5

64,85

PYK 2,5 ET

Width: 5 mm



43,00
MR 35 x 7,5

64,85

Cat No:

307 439
307 430

Cat No:

336 550



Electrical Ratings
CE (EN 60947-7-1 - EN 60947-7-2)
UL
VDE (IEC 60947-7-1)
CSA
ATEX

Voltage, V ~	Current, A	Cross-Section
800	24	2,5 mm ²
600	20	AWG 22-12
630	21	0,5-4 mm ²

Voltage, V ~	Current, A	Cross-Section
		2,5 mm ²
		AWG 22-12
		0,5-4 mm ²

Connection Data
Conductor cross section solid (min.-max.)
Conductor cross section stranded (min.-max.)
2 conductors with same cross section, stranded, TWIN ferrules with plastic sleeve
AWG Conductor
Insulation Stripping Length (min.-max.)
Screwdriver

0,34-4 mm ²
0,34-2,5 mm ²
0,5 mm ²
AWG 22-12
9-10 mm
KT 1 (0,4x2,5)

0,34-4 mm ²
0,34-2,5 mm ²
0,5 mm ²
AWG 22-12
9-10 mm
KT 1 (0,4x2,5)



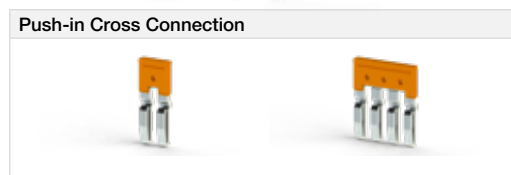
Type	Order No	Qty.
NPP/PYK 2,5 E	446 619	10

Type	Order No	Qty.
NPP/PYK 2,5 ET	446 612T	10



Type	Order No	Qty.
PYK TEST	498 559	25

Type	Order No	Qty.
------	----------	------



Type	Order No	Qty.
UK 2,5/2	476 222	25
UK 2,5/3	476 223	20
UK 2,5/4	476 224	15
UK 2,5/10	476 229	5
UK 2,5/16	474 260	10
UK 2,5/20	474 200	10

Type	Order No	Qty.
------	----------	------

Technical Data
Rated Impulse Voltage / Pollution severity
Insulation material group / Gauge pin code according to IEC 60947-1
Protection class / Protection conductor type
Marking Tags (Dekafix)
See pages 326-333 for a list of Dekafix

8/3
1/A3
IP 20 / -
D-NS 5x10, SLF-P2 W, DB 10/5, DG 10/5, DG 10/5T, SLF-P1 W

8/3
1/A3
IP 20 / -
D-NS 5x10, SLF-P2 W, DB 10/5, DG 10/5, DG 10/5T, SLF-P1 W

Package Quantity
50 pcs.

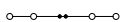
50 pcs.

50 pcs.

Color							
Color code is the last digit of the order number							
Blue	Green	Yellow	Red	Black	White	Orange	Brown
1	2	3	4	5	6	7	8

PYK 2,5 C

Width: 5 mm



43,00
MR 35 x 7,5

76,40

Cat No:

307 389
307 380

Voltage, V ~	Current, A	Cross-Section
800	24	2,5 mm ²
600	20	AWG 22-12
630	21	0,5-4 mm ²

0,34-4 mm ²
0,34-2,5 mm ²
0,5 mm ²
AWG 22-12
9-10 mm
KT 1 (0,4x2,5)

Type	Order No	Qty.
NPP/PYK 2,5 C	446 499	10

Type	Order No	Qty.
PYK TEST	498 559	25

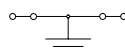
Type	Order No	Qty.
UK 2,5/2	476 222	25
UK 2,5/3	476 223	20
UK 2,5/4	476 224	15
UK 2,5/10	476 229	5
UK 2,5/16	474 260	10
UK 2,5/20	474 200	10

8/3
1/A3
IP 20 / -
D-NS 5x10, SLF-P2 W, DB 10/5, DG 10/5, DG 10/5T, SLF-P1 W

50 pcs.

PYK 2,5 CT

Width: 5 mm



43,00
MR 35 x 7,5

76,40

Cat No:

336 540

Voltage, V ~	Current, A	Cross-Section
		2,5 mm ²
		AWG 22-12
		0,5-4 mm ²

0,34-4 mm ²
0,34-2,5 mm ²
0,5 mm ²
AWG 22-12
9-10 mm
KT 1 (0,4x2,5)

Type	Order No	Qty.
NPP/PYK 2,5 CT	446 492T	10

Type	Order No	Qty.
------	----------	------

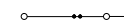
Type	Order No	Qty.
------	----------	------

8/3
1/A3
IP 20 / -
D-NS 5x10, SLF-P2 W, DB 10/5, DG 10/5, DG 10/5T, SLF-P1 W

50 pcs.

PYK 4 E

Width: 6 mm



44,00
MR 35 x 7,5

70,80

Cat No:

307 229
307 220

Voltage, V ~	Current, A	Cross-Section
800	32	4 mm ²
600	30	AWG 22-12
800	26	0,5-4 mm ²

0,34-6 mm ²
0,25-4 mm ²
1 mm ²
AWG 22-10
9-10 mm
KT 2 (0,5x3,0)

Type	Order No	Qty.
NPP/PYK 4 E	446 559	50

Type	Order No	Qty.
PYK TEST	498 559	25
PYK TEST A	498 659	25

Type	Order No	Qty.
UK 4/2	476 232	25
UK 4/3	476 233	20
UK 4/4	476 234	15
UK 4/10	476 239	5

8/3
1/A4
IP 20 / -
D-NS 6x10, SLF-P2 W, DB 10/6, DG 10/6, DG 10/6T, SLF-P1 W

50 pcs.

PYK Series

One input - Two Output

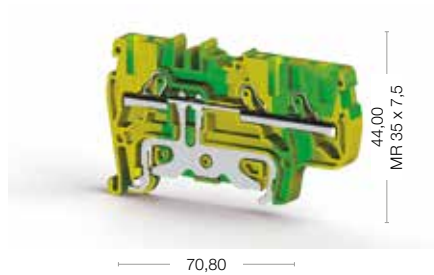
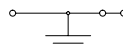
Two input - Two Output

Spring Clamp


Terminals

PYK 4 ET

Width: 6 mm

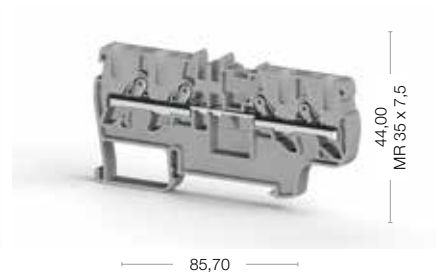
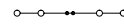


Cat No:

 336 600

PYK 4 C




Width: 6 mm



Cat No:

 307 669
 307 660



Electrical Ratings	Voltage, V ~	Current, A	Cross-Section	Voltage, V ~	Current, A	Cross-Section
CE (EN 60947-7-1 - EN 60947-7-2)			4 mm ²	1000	32	4 mm ²
UL			AWG 22-10	600	30	AWG 22-10
VDE (IEC 60947-7-1)						
CSA						
ATEX			0,5-4 mm ²			
Connection Data						
Conductor cross section solid (min.-max.)			0,34-6 mm ²			0,34-6 mm ²
Conductor cross section stranded (min.-max.)			0,25-4 mm ²			0,25-4 mm ²
2 conductors with same cross section, stranded, TWIN ferrules with plastic sleeve			1 mm ²			1 mm ²
AWG Conductor			AWG 22-10			AWG 22-10
Insulation Stripping Length (min.-max.)			9-10 mm			9-10 mm
Screwdriver			KT 2 (0,5x3,0)			KT 2 (0,5x3,0)
End Plate	Type	Order No	Qty.	Type	Order No	Qty.
	NPP/PYK 4 ET	446 552T	50	NPP/PYK 4C	446 679	25
Test Terminal Block						
				Type	Order No	Qty.
				PYK TEST	498 559	25
				PYK TEST A	498 659	25
Push-in Cross Connection						
				Type	Order No	Qty.
				UK 4/2	476 232	25
				UK 4/3	476 233	20
				UK 4/4	476 234	15
				UK 4/10	476 239	5
Technical Data						
Rated Impulse Voltage / Pollution severity			8/3			8/3
Insulation material group / Gauge pin code according to IEC 60947-1			1/A4			1/A4
Protection class / Protection conductor type			IP 20 / -			IP 20 / -
Marking Tags (Dekafix)						
See pages 326-333 for a list of Dekafix			D-NS 6x10, DB 10/6, DG 10/6, DG 10/6T, SLF-P1 W			D-NS 6x10, DB 10/6, DG 10/6, DG 10/6T, SLF-P1 W
Package Quantity			50 pcs.			45 pcs.

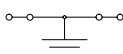
Color

Color code is the last digit of the order number

Blue	Green	Yellow	Red	Black	White	Orange	Brown
1	2	3	4	5	6	7	8

PYK 4 CT

Width: 6 mm



Cat No:

336 610

Voltage, V ~	Current, A	Cross-Section
		4 mm ²
		AWG 22-10

	0,34-6 mm ²	
	0,25-4 mm ²	
	1 mm ²	
	AWG 22-10	
	9-10 mm	
	KT 2 (0,5x3,0)	

Type	Order No	Qty.
NPP/PYK 4 CT	446 672T	25

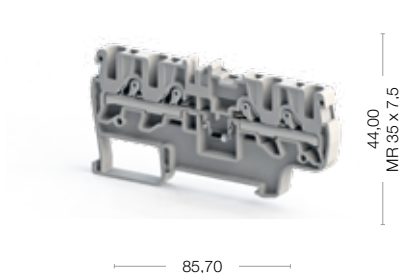
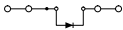
Type	Order No	Qty.
PYK TEST	498 559	25
PYK TEST A	498 659	25

8/3		
1/A4		
IP 20 / -		
D-NS 6x10, DB 10/6, DG 10/6, DG 10/6T, SLF-P1 W		

45 pcs.

PYK 4 CD-A

Width: 6 mm



Cat No:

307 679
307 670

Voltage, V ~	Current, A	Cross-Section
1000	1	4 mm ²

	0,34-6 mm ²	
	0,25-4 mm ²	
	1 mm ²	
	AWG 22-10	
	9-10 mm	
	KT 2 (0,5x3,0)	

Type	Order No	Qty.
NPP/PYK 4C	446 679	25
NPP/PYK 4C	446 670	25

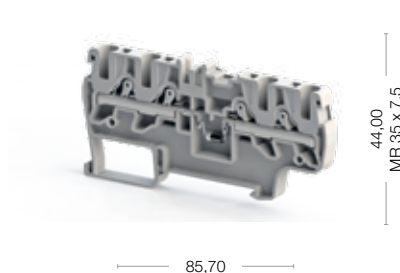
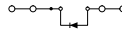
Type	Order No	Qty.
PYK TEST	498 559	25
PYK TEST A	498 659	25

8/3		
1/A4		
IP 20 / -		
D-NS 6x10, DB 10/6, DG 10/6, DG 10/6T, SLF-P1 W		

45 pcs.

PYK 4 CD-B

Width: 6 mm



Cat No:

307 689
307 680

Voltage, V ~	Current, A	Cross-Section
1000	1	4 mm ²

	0,34-6 mm ²	
	0,25-4 mm ²	
	1 mm ²	
	AWG 22-10	
	9-10 mm	
	KT 2 (0,5x3,0)	

Type	Order No	Qty.
NPP/PYK 4C	446 679	25
NPP/PYK 4C	446 670	25

Type	Order No	Qty.
PYK TEST	498 559	25
PYK TEST A	498 659	25

8/3		
1/A4		
IP 20 / -		
D-NS 6x10, DB 10/6, DG 10/6, DG 10/6T, SLF-P1 W		

45 pcs.

PYK Series

One input - Two Output

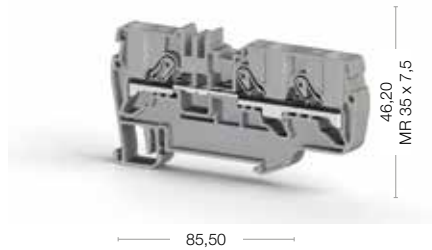
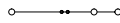
Two input - Two Output

Spring Clamp

Terminals

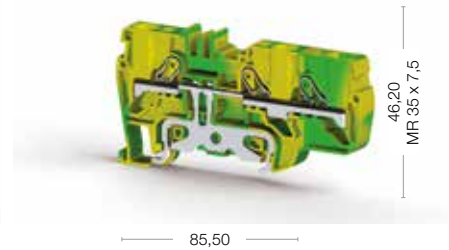
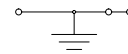
PYK 6 E

Width: 8 mm



PYK 6 ET

Width: 8 mm



Cat No:

307 639
307 630

Cat No:

336 620



Electrical Ratings
CE (EN 60947-7-1 - EN 60947-7-2)
UL
VDE (IEC 60947-7-1)
CSA
ATEX

Voltage, V ~	Current, A	Cross-Section
1000	41	6 mm ²
600	48	AWG 20-8

Voltage, V ~	Current, A	Cross-Section
		6 mm ²
		AWG 20-8

Connection Data
Conductor cross section solid (min.-max.)
Conductor cross section stranded (min.-max.)
2 conductors with same cross section, stranded, TWIN ferrules with plastic sleeve
AWG Conductor
Insulation Stripping Length (min.-max.)
Screwdriver

0,5-10 mm ²
0,5-6 mm ²
1,5 mm ²
AWG 20-8
11-13 mm
KT 3 (0,6x3,5)

0,5-10 mm ²
0,5-6 mm ²
1,5 mm ²
AWG 20-8
11-13 mm
KT 3 (0,6x3,5)

End Plate

Type	Order No	Qty.
NPP/PYK 6 E	446 689	25

Type	Order No	Qty.
NPP/PYK 6 ET	446 682T	25

Test Terminal Block

Type	Order No	Qty.
PYK TEST	498 559	25

--	--	--

Push-in Cross Connection

Type	Order No	Qty.
UK 6/2	476 242	25
UK 6/3	476 243	10
UK 6/4	476 244	15
UK 6/9	476 249	5

--	--	--

Technical Data
Rated Impulse Voltage / Pollution severity
Insulation material group / Gauge pin code according to IEC 60947-1
Protection class / Protection conductor type
Marking Tags (Dekafix)
See pages 326-333 for a list of Dekafix

8/3
1/A5
IP 20 / -
D-NS 8x10, DG 10/8, DG 10/8T, SLF-P1 W

8/3
1/A5
IP 20 / -
D-NS 8x10, DG 10/8, DG 10/8T, SLF-P1 W

Package Quantity

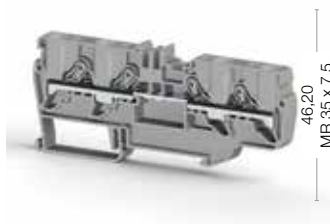
45 pcs.

45 pcs.

Color							
Color code is the last digit of the order number							
Blue	Green	Yellow	Red	Black	White	Orange	Brown
1	2	3	4	5	6	7	8

PYK 6 C

Width: 8 mm



46,20
MR 35 x 7,5

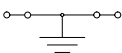
105,40

Cat No:

307 649
307 640

PYK 6 CT

Width: 8 mm



46,20
MR 35 x 7,5

105,40

Cat No:

336 630

PYK 10 E

Width: 10 mm



52,00
MR 35 x 7,5

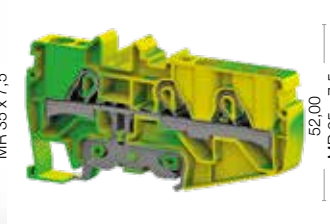
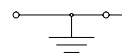
97,80

Cat No:

307 149
307 140

PYK 10 ET

Width: 10 mm



52,00
MR 35 x 7,5

97,80

Cat No:

336 650

Voltage, V ~	Current, A	Cross-Section
1000	41	6 mm ²
600	48	AWG 20-8

0,5-10 mm ²		
0,5-6 mm ²		
1,5 mm ²		
AWG 20-8		
11-13 mm		
KT 3 (0,6x3,5)		

Type	Order No	Qty.
NPP/PYK 6 C	446 699	25

Type	Order No	Qty.
PYK TEST	498 559	25

Type	Order No	Qty.
UK 6/2	476 242	25
UK 6/3	476 243	10
UK 6/4	476 244	15
UK 6/9	476 249	5

8/3		
1/A5		
IP 20 / -		
D-NS 8x10, DG 10/8, DG 10/8T, SLF-P1 W		

35 pcs.

Voltage, V ~	Current, A	Cross-Section
		6 mm ²
		AWG 20-8

0,5-10 mm ²		
0,5-6 mm ²		
1,5 mm ²		
AWG 20-8		
11-13 mm		
KT 3 (0,6x3,5)		

Type	Order No	Qty.
NPP/PYK 6 CT	446 692T	25

8/3		
1/A5		
IP 20 / -		
D-NS 8x10, DG 10/8, DG 10/8T, SLF-P1 W		

35 pcs.

Voltage, V ~	Current, A	Cross-Section
800	57	10 mm ²

0,5-16 mm ²		
0,5-10 mm ²		
4 mm ²		
AWG 20-6		
13-15 mm		
KT 4 (0,8x4,0)		

Type	Order No	Qty.
NPP/PYK 10E	446 709	25

Type	Order No	Qty.
UK 10/2	476 252	25
UK 10/3	476 253	20
UK 10/4	476 254	15
UK 10/10	476 259	5

8/3		
1/B7		
IP 20 / -		
D-NS 10x10, DG 10/10, SLF-P1 W		

50 pcs.

Voltage, V ~	Current, A	Cross-Section
		10 mm ²
		AWG 20-6

0,5-16 mm ²		
0,5-10 mm ²		
4 mm ²		
AWG 20-6		
13-15 mm		
KT 4 (0,8x4,0)		

Type	Order No	Qty.
NPP/PYK 10E	446 709	25

Type	Order No	Qty.

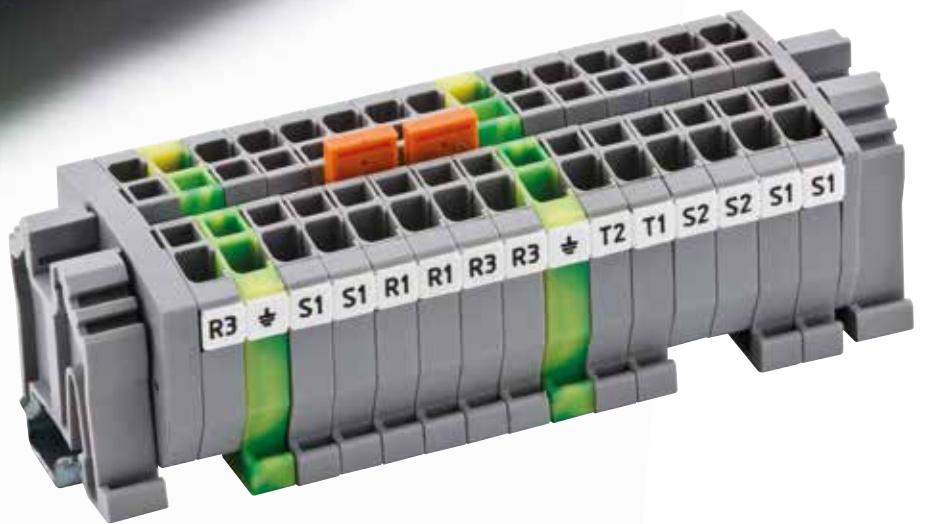
8/3		
1/B7		
IP 20 / -		
D-NS 10x10, DG 10/10, SLF-P1 W		

50 pcs.

MYK Series Spring Clamp Terminals

MYK Type Mini Terminals are available in 2,5 mm² cross-section. Can be mounted on MR 15x5,5 mm DIN-rail or directly on a flat surface. Earth Terminals, accessories, suitable for each usage, like End Plates and Cross Connections, make the mounting process faster. Marking solutions can be provided by Plotter. MYK series offer ideal solutions to projects which have narrow and limited space in panels, junction Boxes.

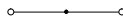




MYK Series Mini Terminals

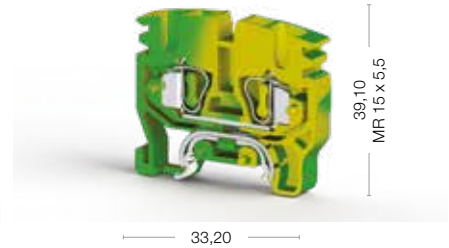
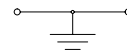
MYK 2,5

Width: 5 mm



MYK 2,5 T

Width: 5 mm



Cat No:

306 429
306 420

Cat No:

336 420



Electrical Ratings
CE (EN 60947-7-1 - EN 60947-7-2)
UL
VDE (IEC 60947-7-1)
CSA
ATEX

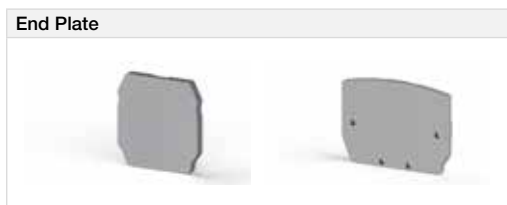
Voltage, V ~	Current, A	Cross-Section
750	24	2,5 mm ²
600	20	AWG 22-12
320/500	18	0,5-2,5 mm ²

Voltage, V ~	Current, A	Cross-Section
		2,5 mm ²
		AWG 22-12
		0,5-2,5 mm ²

Connection Data
Conductor cross section solid (min.-max.)
Conductor cross section stranded (min.-max.)
2 conductors with same cross section, stranded, TWIN ferrules with plastic sleeve
AWG Conductor
Insulation Stripping Length (min.-max.)
Screwdriver

0,08-4 mm ²
0,08-2,5 mm ²
0,5 mm ²
AWG 28-12
9-10 mm
KT 2 (0,5x3,0)

0,08-4 mm ²
0,08-2,5 mm ²
0,5 mm ²
AWG 28-12
9-10 mm
KT 2 (0,5x3,0)



Type	Order No	Qty.
NPP 1 MYK	446 429	100
NPP 2 MYK	446 439	100

Type	Order No	Qty.
NPP 1 MYK 2,5 T	446 422T	100
NPP 2 MYK 2,5 T	446 432T	100



Type	Order No	Qty.
UK 2,5/2	476 222	25
UK 2,5/3	476 223	20
UK 2,5/4	476 224	15
UK 2,5/10	476 229	5
UK 2,5/16	474 260	10
UK 2,5/20	474 200	10

Technical Data
Rated Impulse Voltage / Pollution severity
Insulation material group / Gauge pin code according to IEC 60947-1
Protection class / Protection conductor type
Marking Tags (Dekafix)
See pages 326-333 for a list of Dekafix

8/3
1/B3
IP 20 / -
DB 5

8/3
1/B3
IP 20 / PE
DB 5

Package Quantity
50 pcs.

50 pcs.

Package Quantity
50 pcs.

Color							
Color code is the last digit of the order number							
Blue	Green	Yellow	Red	Black	White	Orange	Brown
1	2	3	4	5	6	7	8

MYPK 2,5

Width: 5 mm



MYSK 2,5

Width: 5 mm



Cat No:

- 306 439
- 306 430

Voltage, V ~	Current, A	Cross-Section
750	24	2,5 mm ²
600	20	AWG 22-12
320/500	18	0,5-2,5 mm ²

0,08-4 mm ²
0,08-2,5 mm ²
0,5 mm ²
AWG 28-12
9-10 mm
KT 2 (0,5x3,0)

Type	Order No	Qty.
NPP MYPD 1	495 079	100
NPP MYPD 2	495 089	100

Type	Order No	Qty.
UK 2,5/2	476 222	25
UK 2,5/3	476 223	20
UK 2,5/4	476 224	15
UK 2,5/10	476 229	5
UK 2,5/16	474 260	10
UK 2,5/20	474 200	10

8/3
1/B3
IP 20 / -
DB 5

100 pcs.

* For panel surface Mounting

Cat No:

- 306 449
- 306 440

Voltage, V ~	Current, A	Cross-Section
750	24	2,5 mm ²
600	20	AWG 22-12
320/500	18	0,5-2,5 mm ²

0,08-4 mm ²
0,08-2,5 mm ²
0,5 mm ²
AWG 28-12
9-10 mm
KT 2 (0,5x3,0)

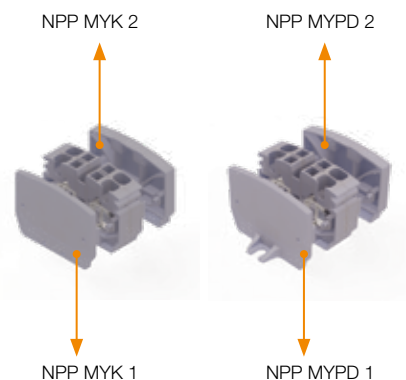
Type	Order No	Qty.
NPP MYK 1	446 429	100
NPP MYK 2	446 439	100

Type	Order No	Qty.
UK 2,5/2	476 222	25
UK 2,5/3	476 223	20
UK 2,5/4	476 224	15
UK 2,5/10	476 229	5
UK 2,5/16	474 260	10
UK 2,5/20	474 200	10

8/3
1/B3
IP 20 / -
DB 5

100 pcs.

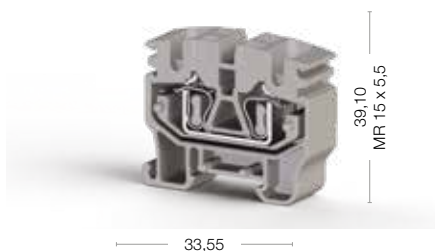
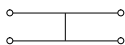
* 3.5 mm (diameter) hole must be opened on panel surface.



Mini Series Terminals

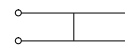
MYK 2,5 C

Width: 10 mm



MYPK 2,5 C

Width: 10 mm



Cat No:

- 306 479
- 306 470

Cat No:

- 306 489
- 306 480



Electrical Ratings
CE (EN 60947-7-1)
UL
VDE (IEC 60947-7-1)
CSA
ATEX

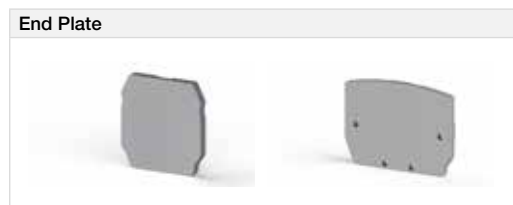
Voltage, V ~	Current, A	Cross-Section
800	24	2,5 mm ²

Voltage, V ~	Current, A	Cross-Section
800	24	2,5 mm ²

Connection Data
Conductor cross section solid (min.-max.)
Conductor cross section stranded (min.-max.)
2 conductors with same cross section, stranded, TWIN ferrules with plastic sleeve
AWG Conductor
Insulation Stripping Length (min.-max.)
Screwdriver

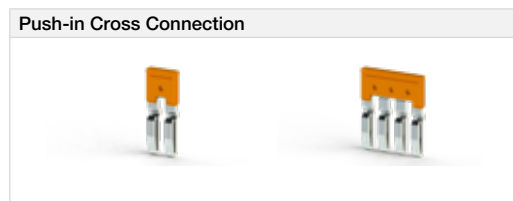
0,08-4 mm ²
0,08-2,5 mm ²
0,5 mm ²
AWG 28-12
9-10 mm
KT 2 (0,5x3,0)

0,08-4 mm ²
0,08-2,5 mm ²
0,5 mm ²
AWG 28-12
9-10 mm
KT 2 (0,5x3,0)



Type	Order No	Qty.
NPP 1 MYK 2,5C	446 429	100
NPP 2 MYK 2,5C	446 439	100

Type	Order No	Qty.
NPP MYPD 1	495 079	100
NPP MYPD 2	495 089	100



Technical Data
Rated Impulse Voltage / Pollution severity
Insulation material group / Gauge pin code according to IEC 60947-1
Protection class / Protection conductor type
Marking Tags (Dekafix)
See pages 326-333 for a list of Dekafix

8/3
1/B3
IP 20 / -
DB 5

8/3
1/B3
IP 20 / -
DB 5

Package Quantity
100 pcs.

100 pcs.

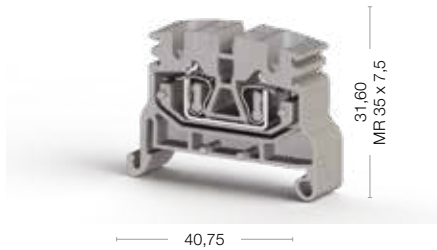
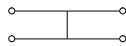
100 pcs.

* For panel surface mounting

Color							
Color code is the last digit of the order number							
Blue	Green	Yellow	Red	Black	White	Orange	Brown
1	2	3	4	5	6	7	8

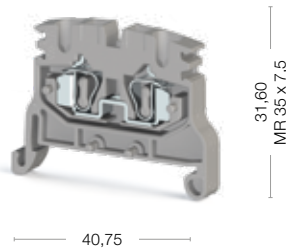
MYKR 2,5 C

Width: 10 mm



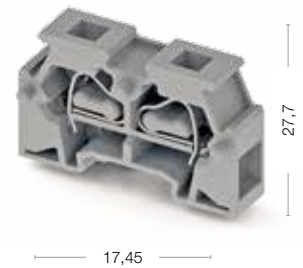
MYKR 2,5

Width: 5 mm



MPK 2,5

Width: 6,2 mm



Cat No:

- 306 499
- 306 490

Voltage, V ~	Current, A	Cross-Section
800	24	2,5 mm ²

	0,08-4 mm ²	
	0,08-2,5 mm ²	
	0,5 mm ²	
	AWG 28-12	
	9-10 mm	
	KT 2 (0,5x3,0)	

Type	Order No	Qty.
NPP 1 MYK	446 429	100
NPP 2 MYK	446 439	100

Type	Order No	Qty.

	8/3	
	1/B3	
	IP 20 / -	
	DB 5	

100 pcs.

Cat No:

- 306 509
- 306 500

Voltage, V ~	Current, A	Cross-Section
750	24	2,5 mm ²

	0,08-4 mm ²	
	0,08-2,5 mm ²	
	0,5 mm ²	
	AWG 28-12	
	9-10 mm	
	KT 2 (0,5x3,0)	

Type	Order No	Qty.
NPP 1 MYK	446 429	100
NPP 2 MYK	446 439	100

Type	Order No	Qty.

	8/3	
	1/B3	
	IP 20 / -	
	DB 5	

50 pcs.

Cat No:

- 306 519
- 306 510

Voltage, V ~	Current, A	Cross-Section
500	24	2,5 mm ²

	0,08-4 mm ²	
	0,08-2,5 mm ²	
	0,5 mm ²	
	AWG 28-12	
	9-10 mm	
	KT 2 (0,5x3,0)	

Type	Order No	Qty.
DDR_MPK 2,5	450 459	25

Type	Order No	Qty.

	8/3	
	1/B3	
	IP 20 / -	
	DB 5, DG 6/5, D-NS 6,2x6	

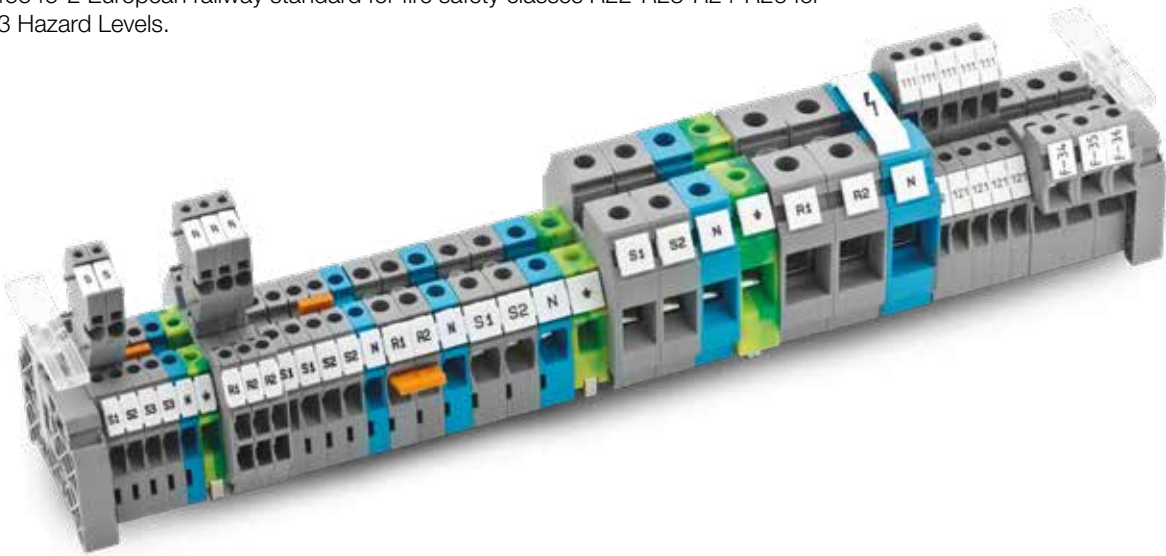
50 pcs.

“V0” Flammability Rating Product Range

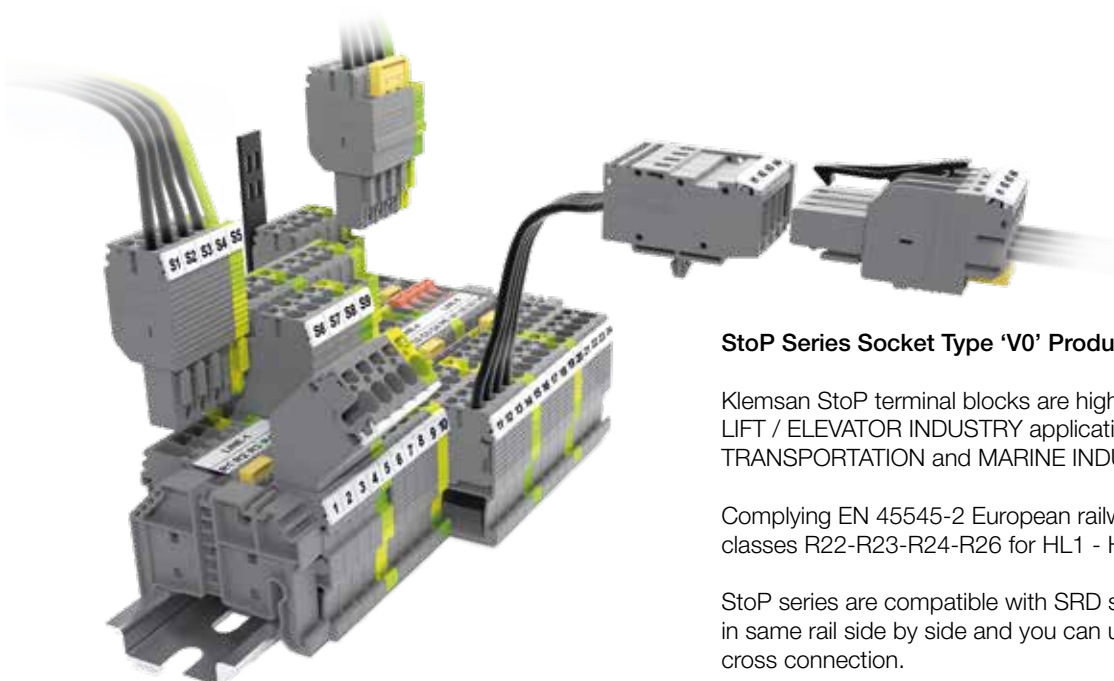
Screw Type ‘V0’ Products

‘V0’ flammability rating Screw Terminal Blocks are ready in KLEMSAN Family for your prestigious projects! You can select the most suitable products from our premium ‘NM’ series as 108 products.

Complying EN 45545-2 European railway standard for fire safety classes R22-R23-R24-R26 for HL1 - HL2 - HL3 Hazard Levels.



Features	UL 94 V0	UL 94 V1	UL 94 V2
Self-extinguishing time after flame is applied to the sample (seconds).	≤ 10 sn	≤ 30 sn	≤ 30 sn
Total self-extinguishing time after 10 consecutive flame treatments.	≤ 50 sn	≤ 250 sn	≤ 250 sn
Is the sample burn completely?	No	No	No
Subject material which shouldn't ignite by dripping from the sample.	Cotton	Cotton	Paper

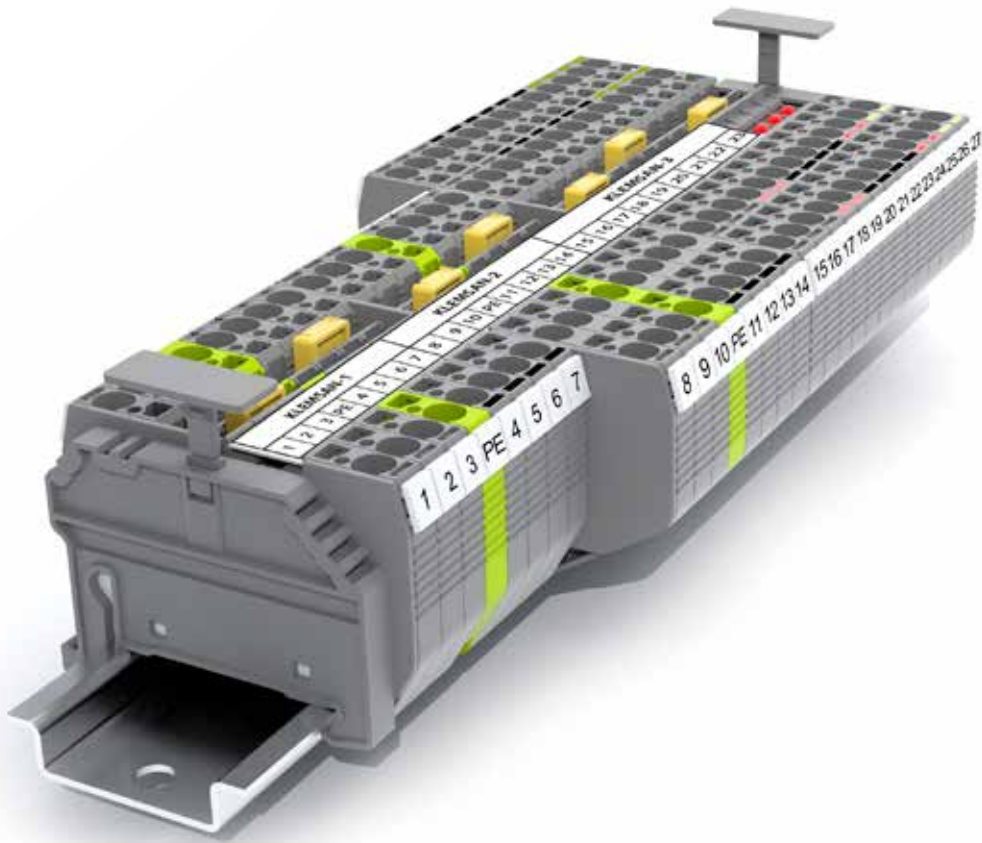


StoP Series Socket Type ‘V0’ Products

Klemsan StoP terminal blocks are highly recommended for LIFT / ELEVATOR INDUSTRY applications; also for RAILWAY TRANSPORTATION and MARINE INDUSTRIES as well.

Complying EN 45545-2 European railway standard for fire safety classes R22-R23-R24-R26 for HL1 - HL2 - HL3 Hazard Levels.

StoP series are compatible with SRD series. You can mount them in same rail side by side and you can use marking strip and push-in cross connection.



SRD Series Spring Type 'V0' Products

Brand new series spring clamp type terminal blocks are ready for your projects!

SRD Series are empowered terminal blocks compare with YBK series.

The thickness is 5,2 mm and the plastic bodies and rail legs are more ergonomic.

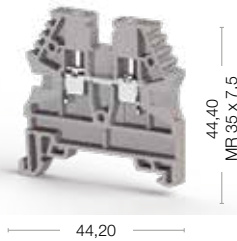
Complying EN 45545-2 European railway standard for fire safety classes R22-R23-R24-R26 for HL1 - HL2 - HL3 Hazard Levels.



AVK Series "V0" Terminals

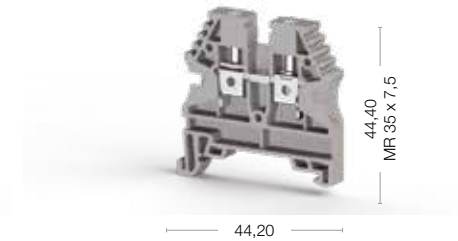
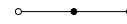
AVK 2,5/NM

Width: 5 mm



AVK 4/NM

Width: 6 mm



Cat No:

- 309 009
- 309 000

Cat No:

- 309 019
- 309 010



Electrical Ratings	Voltage, V ~	Current, A	Cross-Section	Voltage, V ~	Current, A	Cross-Section
CE (EN 60947-7-1)	750	24	2,5 mm ²	750	32	4 mm ²
UL - CuLus	600	20	AWG 26-12	600	30	AWG 26-10
ATEX	630	20	0,5-2,5 mm ²	630	27	0,5-4 mm ²

Connection Data	Current, A	Current, A
Conductor cross section solid (min-max.)	0,2-4 mm ²	0,2-6 mm ²
Conductor cross section stranded (min-max.)	0,2-4 mm ²	0,2-6 mm ²
2 conductors with same cross section, stranded, TWIN ferrules with plastic sleeve, (min-max.)	0,5-1,5 mm ²	0,5-2,5 mm ²
AWG Conductor	AWG 24-12	AWG 24-10
Insulation Stripping Length (min.-max.)	9-10 mm	9-10 mm
Torque (min-max.)	0,4-0,6 Nm	0,5-0,8 Nm
Screwdriver	IKT 3 (0,6x3,5)	IKT 3 (0,6x3,5)

End Plate - Disconnect Plate	Type	Order No	Qty.	Type	Order No	Qty.
	NPP/AVK 2,5-10/NM	451 069	100	NPP/AVK 2,5-10/NM	451 069	100
	APP/AVK 2,5-10/NM	464 059	25	APP/AVK 2,5-10/NM	464 059	25

Cross Connection	Type	Order No	Qty.	Type	Order No	Qty.
	UK 2,5/2	474 122	25	UK 4/2	474 132	25
	UK 2,5/3	474 123	20	UK 4/3	474 133	20
	UK 2,5/4	474 124	15	UK 4/4	474 134	15
	UK 2,5/10	474 129	5	UK 4/10	474 139	5
	UK 2,5/20	474 210	20	UK 4/20	474 180	5
					UK 4/50	474 190

Comb Connector	Type	Order No	Qty.	Type	Order No	Qty.
	TKO 2,5/2/NM	470 332	25	TKO 4/2/NM	470 342	25
	TKO 2,5/3/NM	470 333	20	TKO 4/3/NM	470 343	20
	TKO 2,5/4/NM	470 334	15	TKO 4/4/NM	470 344	15
	TKO 2,5/10/NM	470 339	5	TKO 4/10/NM	470 349	5

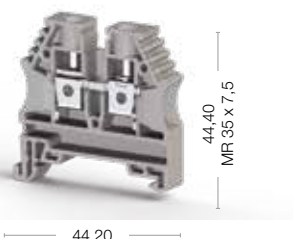
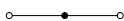
Technical Data	Current, A	Current, A
Rated Impulse Voltage / Pollution severity	8/3	8/3
Insulation material group / Gauge pin code according to IEC 60947-1	1/A3	1/A4
Protection class / Protection conductor type	IP 20 / -	IP 20 / -
Marking Tags (Dekafix)		
See pages 326-333 for a list of Dekafix	D-NS 5x10, DB 10/5, DG 10/5, DG 10/5T	D-NS 6x10, DB 10/6, DG 10/6, DG 10/6T

Package Quantity	Current, A	Current, A
	100 pcs.	100 pcs.

Color						
Color code is the last digit of the order number						
Blue	Green	Yellow	Red	Black	White	Orange
1	2	3	4	5	6	7

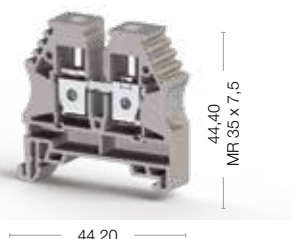
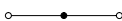
AVK 6/NM

Width: 8 mm



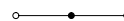
AVK 10/NM

Width: 10 mm



AVK 16 RD/NM

Width: 12 mm



Cat No:

- 309 029
- 309 020

Voltage, V ~	Current, A	Cross-Section
630	41	6 mm ²
600	50	AWG 26-8
630	36	0,5-6 mm ²

0,2-10 mm ²
0,2-10 mm ²
0,5-4 mm ²
AWG 24-8
10-12 mm
0,8-1,2 Nm
IKT 4 (0,8x4)

Type	Order No	Qty.
NPP/AVK 2,5-10/ NM	451 069	100
APP/AVK 2,5-10/ NM	464 059	25

Type	Order No	Qty.
UK 6/2	474 142	25
UK 6/3	474 143	20
UK 6/4	474 144	15
UK 6/10	474 149	5

Type	Order No	Qty.
TKO 6/2/NM	470 352	25
TKO 6/3/NM	470 353	20
TKO 6/4/NM	470 357	15
TKO 6/10/NM	470 359	5

8/3
1/B5
IP 20 / -
D-NS 8x10, DG 10/8

100 pcs.

Cat No:

- 309 039
- 309 030

Voltage, V ~	Current, A	Cross-Section
630	57	10 mm ²
600	65	AWG 16-6
630	50	1,5-10 mm ²

0,5-16 mm ²
0,5-16 mm ²
0,5-6 mm ²
AWG 20-6
10-12 mm
1,2-1,8 Nm
IKT 4 (0,8x4)

Type	Order No	Qty.
NPP/AVK 2,5-10/ NM	451 069	100
APP/AVK 2,5-10/ NM	464 059	25

Type	Order No	Qty.
UK 10/2	474 152	25
UK 10/3	474 153	20
UK 10/4	474 154	15
UK 10/10	474 159	5

Type	Order No	Qty.
TKO 10/2/NM	470 362	25
TKO 10/3/NM	470 363	20
TKO 10/4/NM	470 364	15
TKO 10/10/NM	470 369	5

8/3
1/B6
IP 20 / -
D-NS 10x10, DG 10/10

100 pcs.

Cat No:

- 309 059
- 309 050

Voltage, V ~	Current, A	Cross-Section
750	76	16 mm ²
600	80	AWG 12-4
630	67	1,5-16 mm ²

1,5-25 mm ²
1,5-25 mm ²
0,75-10 mm ²
AWG 16-4
12-14 mm
1,2-2,0 Nm
IKT 5 (1,0x5,5)

Type	Order No	Qty.
NPP/AVK 16 RD/ NM	451 049	100
APP/AVK 16 RD/ NM	464 229	25

Type	Order No	Qty.
UK 16/2	474 162	25
UK 16/3	474 163	20
UK 16/4	474 164	15
UK 16/10	474 169	5

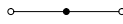
8/3
1/B7
IP 20 / -
D-NS 10x10, D-NS 12x10, DG 10x10

50 pcs.

AVK Series "V0" Terminals

AVK 35 RDS/NM

Width: 16 mm

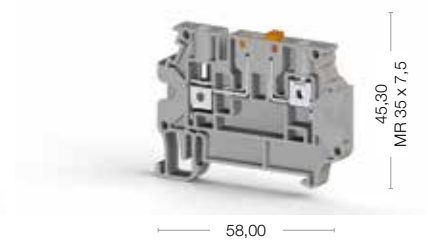


Cat No:

- 309 089
- 309 080

AVK 4 A/NM

Width: 6 mm



Cat No:

- 309 179
- 309 170



Electrical Ratings	Voltage, V ~	Current, A	Cross-Section	Voltage, V ~	Current, A	Cross-Section
CE (EN 60947-7-1)	1000	125	35 mm ²	500	20	4 mm ²
UL - CuLus	600	115	AWG 10-2	300	16	AWG 26-10
ATEX	800	111	6-50 mm ²			

Connection Data	Conductor cross section solid (min-max.)	Conductor cross section stranded (min-max.)	2 conductors with same cross section, stranded, TWIN ferrules with plastic sleeve, (min-max.)	AWG Conductor	Insulation Stripping Length (min.-max.)	Torque (min-max.)	Screwdriver
		6-50 mm ²					
		6-35 mm ²					
		4-16 mm ²					
		AWG 10-2					
		16-18 mm					
		4,0-6,0 Nm					
		IKT 6 (1,2x6,5)					

End Plate - Disconnect Plate	Type	Order No	Qty.	Type	Order No	Qty.
				NPP/AVK 4 R-A/ NM	451 319	25

Cross Connection	Type	Order No	Qty.	Type	Order No	Qty.
	UK 35/2 RDS	480 212	25	UK 4/2/NM	470 312	25
	UK 35/3 RDS	480 213	20	UK 4/3/NM	470 313	20
	UK 35/4 RDS	480 214	15	UK 4/4/NM	470 314	15
	UK 35/10 RDS	480 219	5	UK 4/10/NM	470 319	5

Technical Data	Rated Impulse Voltage / Pollution severity	Insulation material group / Gauge pin code according to IEC 60947-1	Protection class / Protection conductor type	Marking Tags (Dekafix)
	8/3	1/B9	IP 20 / -	
				See pages 326-333 for a list of Dekafix
				D-NS 10x10, D-NS 14x10, DG 10/10
				D-NS 6x10, DB 10/6, DG 10/6, DG 10/6T, SLF-P1 W

Package Quantity	Package Quantity
50 pcs.	50 pcs.

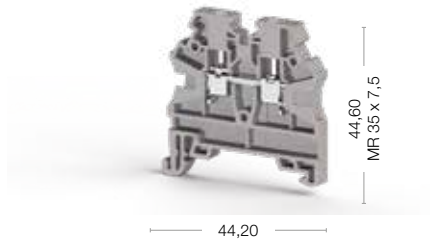
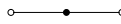
* Higher torque value compare to AVK 35 RD

Color						
Color code is the last digit of the order number						
Blue	Green	Yellow	Red	Black	White	Orange
1	2	3	4	5	6	7

AVK RD Series "V0" Terminals

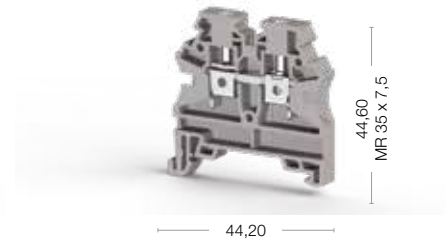
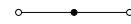
AVK 2,5 RD/NM

Width: 5 mm



AVK 4 RD/NM

Width: 6 mm



Cat No:

- 309 159
- 309 150

Cat No:

- 309 169
- 309 160



Electrical Ratings
CE (EN 60947-7-1)
UL - CuLus
VDE (IEC 60947-7-1)
CSA
ATEX

Voltage, V ~	Current, A	Cross-Section
750	24	2,5 mm ²
600	20	AWG 26-12
630	20	0,5-2,5 mm ²

Voltage, V ~	Current, A	Cross-Section
750	32	4 mm ²
600	30	AWG 26-10
630	25	0,5-4 mm ²

Connection Data
Conductor cross section solid (min-max.)
Conductor cross section stranded (min-max.)
2 conductors with same cross section, stranded, TWIN ferrules with plastic sleeve, (min-max.)
AWG Conductor
Insulation Stripping Length (min.-max.)
Torque (min-max.)
Screwdriver

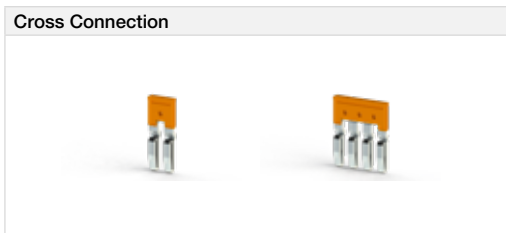
0,2-4 mm ²
0,2-4 mm ²
0,5-1,5 mm ²
AWG 24-12
9-10 mm
0,4-0,6 Nm
IKT 3 (0,6x3,5)

0,2-6 mm ²
0,2-6 mm ²
0,5-2,5 mm ²
AWG 24-10
9-10 mm
0,5-0,8 Nm
IKT 3 (0,6x3,5)



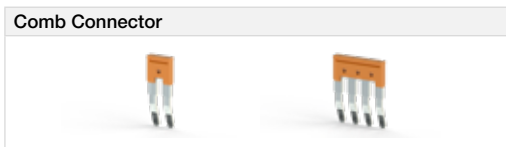
Type	Order No	Qty.
NPP/AVK 2,5-10/NM	451 069	100
APP/AVK 2,5-10/NM	464 059	25

Type	Order No	Qty.
NPP/AVK 2,5-10/NM	451 069	100
APP/AVK 2,5-10/NM	464 059	25



Type	Order No	Qty.
UK 2,5/2/NM	470 302	25
UK 2,5/3/NM	470 303	20
UK 2,5/4/NM	470 304	15
UK 2,5/10/NM	470 309	5

Type	Order No	Qty.
UK 4/2/NM	470 312	25
UK 4/3/NM	470 313	20
UK 4/4/NM	470 314	15
UK 4/10/NM	470 319	5



Type	Order No	Qty.
TKO 2,5/2/NM	470 332	25
TKO 2,5/3/NM	470 333	20
TKO 2,5/4/NM	470 334	15
TKO 2,5/10/NM	470 339	5

Type	Order No	Qty.
TKO 4/2/NM	470 342	25
TKO 4/3/NM	470 343	20
TKO 4/4/NM	470 344	15
TKO 4/10/NM	470 349	5

Technical Data
Rated Impulse Voltage / Pollution severity
Insulation material group / Gauge pin code according to IEC 60947-1
Protection class / Protection conductor type
Marking Tags (Dekafix)
See pages 326-333 for a list of Dekafix

8/3
1/A3
IP 20 / -
DB 10/5, DG 10/5, DG 10/5T, D-NS 5x10

8/3
1/A4
IP 20 / -
D-NS 6x10, DB 10/6, DG 10/6, DG 10/6T

Package Quantity
100 pcs.

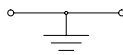
100 pcs.

Package Quantity
100 pcs.

AVK T Series "V0" Earth Terminals

AVK 2,5 / 4 TK/NM

Width: 6 mm

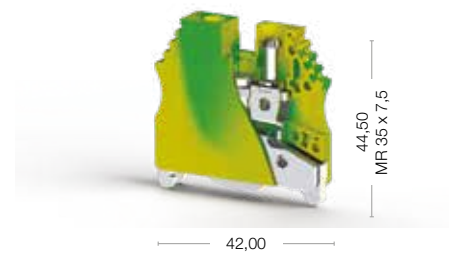
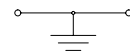


Cat No:


 341 010

AVK 6 TK/NM

Width: 8 mm



Cat No:

 341 020



Electrical Ratings
CE (EN 60947-7-2)
UL - CuLus
ATEX

Voltage, V ~	Current, A	Cross-Section
		2,5-4 mm ²
		AWG 26-10
		0,5-6 mm ²

Connection Data	
Conductor cross section solid (min-max.)	0,2-6 mm ²
Conductor cross section stranded (min-max.)	0,2-6 mm ²
2 conductors with same cross section, stranded, TWIN ferrules with plastic sleeve, (min-max.)	0,5-2,5 mm ²
AWG Conductor	AWG 24-10
Insulation Stripping Length (min.-max.)	9-10 mm
Torque (min-max.)	0,5-0,8 Nm
Rail Tightening torque, (min-max.)	0,4-0,6 Nm
Screwdriver	IKT 3 (0,6x3,5)

Voltage, V ~	Current, A	Cross-Section
		6 mm ²
		AWG 26-8
		0,5-6 mm ²

Technical Data	
Rated Impulse Voltage / Pollution severity	8/3
Insulation material group / Gauge pin code according to IEC 60947-1	1/A4
Protection class / Protection conductor type	IP 20 / PE

Marking Tags (Dekafix)	
See pages 326-333 for a list of Dekafix	D-NS 6x10, DB 10/6, DG 10/6, DG 10/6T

Package Quantity	
	50 pcs.

Marking Tags (Dekafix)	
	D-NS 8x10, DG 10/8

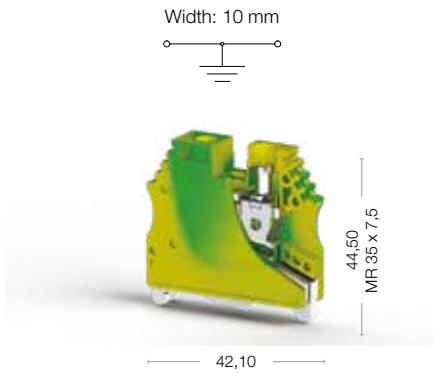
Voltage, V ~	Current, A	Cross-Section
		0,2-10 mm ²
		0,2-10 mm ²
		0,5-4 mm ²
		AWG 24-8
		10-12 mm
		0,8-1,2 Nm
		0,6 -0,8 Nm
		IKT 4 (0,8x4)

Technical Data	
Rated Impulse Voltage / Pollution severity	8/3
Insulation material group / Gauge pin code according to IEC 60947-1	1/B5
Protection class / Protection conductor type	IP 20 / PE

Marking Tags (Dekafix)	
	D-NS 8x10, DG 10/8

Package Quantity	
	25 pcs.

AVK 10 TK/NM



Cat No:

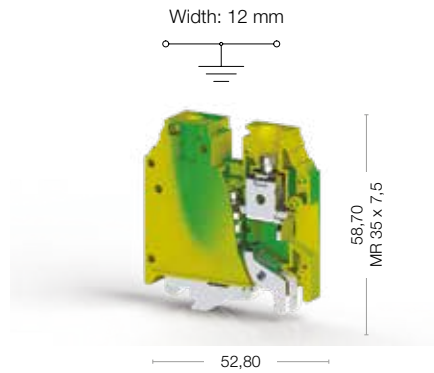
341 030

Voltage, V ~	Current, A	Cross-Section
		10 mm ²
		AWG 16-6
		1,5-16 mm ²

0,5-16 mm ²		
0,5-16 mm ²		
0,5-6 mm ²		
AWG 20-6		
10-12 mm		
1,2-1,8 Nm		
0,8-1,0 Nm		
IKT 4 (1,2x6,5)		

8/3		
1/B6		
IP 20 / PE		
D-NS 10x10, DG 10/10		
25 pcs.		

AVK 16 T RD/NM



Cat No:

341 040

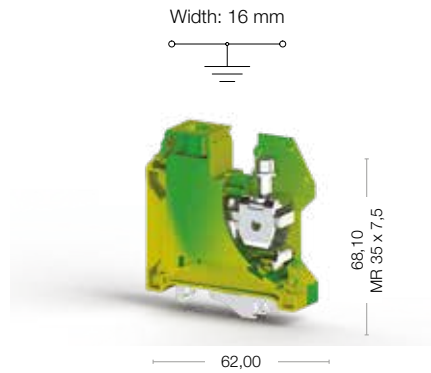
Voltage, V ~	Current, A	Cross-Section
		16 mm ²
		AWG 12-4
		1,5-16 mm ²

1,5-25 mm ²		
1,5-25 mm ²		
0,75-10 mm ²		
AWG 16-4		
12-14 mm		
1,2-2,0 Nm		
1,0-1,2 Nm		
IKT 5 (1,2x6,5)		

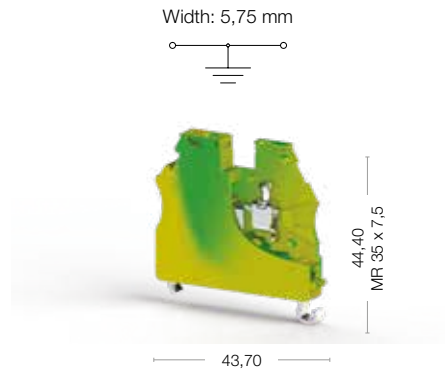
8/3		
1/B7		
IP 20 / PE		
D-NS 10x10, D-NS 12x10, DG 10/10		
50 pcs.		

AVK T Series "V0" Earth Terminals

AVK 35 T RDS/NM



AVK 2,5 T RD/NM



Cat No:

341 060

Cat No:

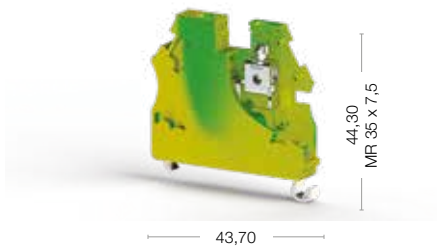
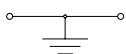
341 090



Electrical Ratings	Voltage, V ~	Current, A	Cross-Section	Voltage, V ~	Current, A	Cross-Section
CE (EN 60947-7-2)			35 mm ²			2,5 mm ²
UL - CuLus			AWG 10-2			AWG 26-12
ATEX			6-50 mm ²			0,5-2,5 mm ²
Connection Data						
Conductor cross section solid (min-max.)			6-50 mm ²			0,2-4 mm ²
Conductor cross section stranded (min-max.)			6-35 mm ²			0,2-4 mm ²
2 conductors with same cross section, stranded, TWIN ferrules with plastic sleeve, (min-max.)			4-16 mm ²			0,5-1,5 mm ²
AWG Conductor			AWG 10-2			AWG 24-12
Insulation Stripping Length (min.-max.)			16-18 mm			9-10 mm
Torque (min-max.)			4,0-6,0 Nm			0,4-0,6 Nm
Rail Tightening torque, (min-max.)			1,2-1,5 Nm			
Screwdriver			IKT 6 (1,2x6,5)			IKT 3 (0,6x3,5)
Technical Data						
Rated Impulse Voltage / Pollution severity			8/3			8
Insulation material group / Gauge pin code according to IEC 60947-1			1/B9			1/A3
Protection class / Protection conductor type			IP 20 / PE			IP 20 / PE
Marking Tags (Dekafix)						
See pages 326-333 for a list of Dekafix			D-NS 10x10, D-NS 14x10, DG 10/10			D-NS 5x10, DB 10/5, DG 10/5, DG 10/5T
Package Quantity						
			25 pcs.			50 pcs.

AVK 4 T RD/NM

Width: 6,2 mm



Cat No:

 341 100

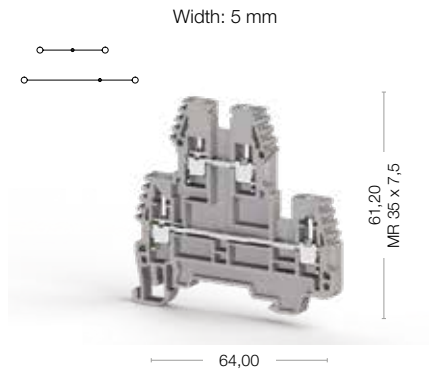
Voltage, V ~	Current, A	Cross-Section
		4 mm ²
		AWG 26-10
		0,5-4 mm ²

0,2-6 mm ²
0,2-6 mm ²
0,5-2,5 mm ²
AWG 24-10
9-10 mm
0,5-0,8 Nm
IKT 3 (0,6x3,5)

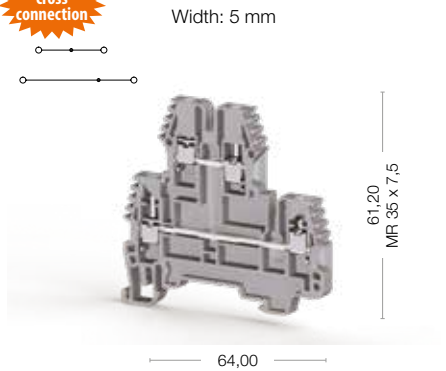
8
1/A4
IP 20 / PE
D-NS 6x10, DB 10/6, DG 10/6, DG 10/6T
50 pcs.

Screw Type "V0" Double - Deck Terminals

PIK 2,5 N/NM



PIK 2,5 RD/NM



Cat No:

- 309 189
- 309 180

Cat No:

- 309 429
- 309 420



Electrical Ratings	Voltage, V ~	Current, A	Cross-Section	Voltage, V ~	Current, A	Cross-Section
CE (EN 60947-7-1)	500	24	2,5 mm ²	500	24	2,5 mm ²
UL	300	20	AWG 26-12	300	20	AWG 26-12
VDE (IEC 60947-7-1)						
CSA						
ATEX	400	19	0,5-2,5 mm ²	400	19	0,5-2,5 mm ²

Connection Data		
Conductor cross section solid (min-max.)	0,2-4 mm ²	0,2-4 mm ²
Conductor cross section stranded (min.-max.)	0,2-4 mm ²	0,2-4 mm ²
2 conductors with same cross section, stranded, TWIN ferrules with plastic sleeve, (min-max.)	0,5-1,5 mm ²	0,5-1,5 mm ²
AWG Conductor	AWG 24-12	AWG 24-12
Insulation Stripping Length (min.-max.)	9-10 mm	9-10 mm
Torque (min-max.)	0,4-0,6 Nm	0,4-0,6 Nm
Screwdriver	IKT 3 (0,6x3,5)	IKT 3 (0,6x3,5)

Ordering Data		

Technical Data For Diode		
Diode Voltage		
Diode Current		
Diod		

End Plate	Type	Order No	Qty.	Type	Order No	Qty.
	NPP/PIK 2,5-4 N/NM	451 309	25	NPP/PIK 2,5-4 N/NM	451 309	25

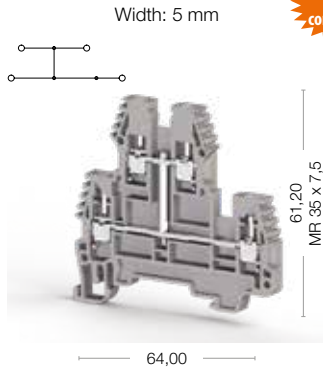
Small Partition	Type	Order No	Qty.			
	AD 1	467 919	100			

Cross Connection	Type	Order No	Qty.	Type	Order No	Qty.
	UK 2,5/2	474 122	25	UK 2,5/2/NM	470 302	25
	UK 2,5/3	474 123	20	UK 2,5/3/NM	470 303	20
	UK 2,5/4	474 124	15	UK 2,5/4/NM	470 304	15
	UK 2,5/10	474 129	5	UK 2,5/10/NM	470 309	5
	UK 2,5/50	474 210	20			

Technical Data		
Rated Impulse Voltage / Pollution severity	6/3	6/3
Insulation material group / Gauge pin code according to IEC 60947-1	1/A3	1/A3
Protection class / Protection conductor type	IP 20 / -	IP 20 / -
Marking Tags (Dekafix) See pages 326-333 for a list of Dekafix	D-NS 5x10, DB 10/5, DG 10/5, DG 10/5T	D-NS 5x10, DB 10/5, DG 10/5, DG 10/5T

Package Quantity		
	100 pcs.	100 pcs.

PIK 2,5 NK/NM



Cat No:

- 309 199
- 309 190

Voltage, V ~	Current, A	Cross-Section
500	24	2,5 mm ²
300	20	AWG 26-12

0,2-4 mm ²
0,2-4 mm ²
0,5-1,5 mm ²
AWG 24-12
9-10 mm
0,4-0,6 Nm
IKT 3 (0,6x3,5)

Type	Order No	Qty.

Type	Order No	Qty.
NPP/PIK 2,5-4 N/NM	451 309	25

Type	Order No	Qty.
AD 1	467 919	100

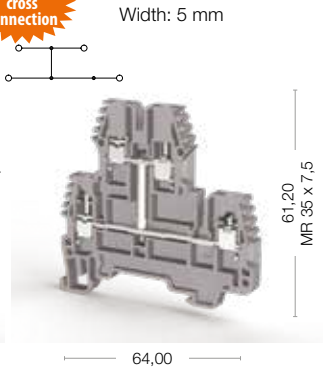
Type	Order No	Qty.
UK 2,5/2	474 122	25
UK 2,5/3	474 123	20
UK 2,5/4	474 124	15
UK 2,5/10	474 129	5
UK 2,5/50	474 210	20

Note: Only lower decks can be cross-connected

6/3
1/A3
IP 20 / -
D-NS 5x10, DB 10/5, DG 10/5, DG 10/5T

20 pcs.

PIK 2,5 RDK/NM



Cat No:

- 309 439
- 309 430

Voltage, V ~	Current, A	Cross-Section
500	24	2,5 mm ²

0,2-4 mm ²
0,2-4 mm ²
0,5-1,5 mm ²
AWG 24-12
9-10 mm
0,4-0,6 Nm
IKT 3 (0,6x3,5)

Type	Order No	Qty.

Type	Order No	Qty.
NPP/PIK 2,5-4 N/NM	451 309	25

Type	Order No	Qty.
AD 1	467 919	100

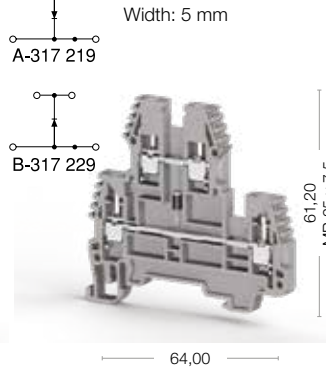
Type	Order No	Qty.
UK 2,5/2/NM	470 302	25
UK 2,5/3/NM	470 303	20
UK 2,5/4/NM	470 304	15
UK 2,5/10/NM	470 309	5

Note: Only lower decks can be cross-connected

6/3
1/A3
IP 20 / -
D-NS 5x10, DB 10/5, DG 10/5, DG 10/5T

100 pcs.

PIK 2,5 ND/NM



Cat No:

- 315 049
- 315 040

Voltage, V ~	Current, A	Cross-Section
500	1	2,5 mm ²
300	20	AWG 26-12

0,2-4 mm ²
0,2-4 mm ²
0,5-1,5 mm ²
AWG 24-12
9-10 mm
0,4-0,6 Nm
IKT 3 (0,6x3,5)

Type	Order No	Qty.
PIK 2,5 ND A/NM	315 049	20
PIK 2,5 ND B/NM	315 059	20

1000 V
1 A
1 N 4007

Type	Order No	Qty.
NPP/PIK 2,5-4 N/NM	451 309	25

Type	Order No	Qty.
AD 1	467 919	100

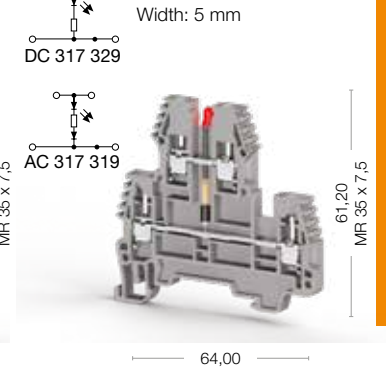
Type	Order No	Qty.
UK 2,5/2	474 122	25
UK 2,5/3	474 123	20
UK 2,5/4	474 124	15
UK 2,5/10	474 129	5
UK 2,5/50	474 210	20

Note: Only lower decks can be cross-connected

6/3
1/A3
IP 20 / -
D-NS 5x10, DB 10/5, DG 10/5, DG 10/5T

20 pcs.

PIK 2,5 NLD/NM



Cat No:

- 309 229
- 309 220

Voltage, V ~	Current, A	Cross-Section
	24	2,5 mm ²
	20	AWG 26-12

0,2-4 mm ²
0,2-4 mm ²
0,5-1,5 mm ²
AWG 24-12
9-10 mm
0,4-0,6 Nm
IKT 3 (0,6x3,5)

Type	Order No	Qty.
PIK 2,5 NLD/NM (24AC)	309 229	20
PIK 2,5 NLD/NM (24DC)	309 239	20
PIK 2,5 NLD/NM (48AC)	309 249	20
PIK 2,5 NLD/NM (48DC)	309 259	20
PIK 2,5 NLD/NM (110AC)	309 269	20
PIK 2,5 NLD/NM (110DC)	309 279	20
PIK 2,5 NLD/NM (220AC)	309 289	20
PIK 2,5 NLD/NM (220DC)	309 299	20

Type	Order No	Qty.
NPP/PIK 2,5-4 N/NM	451 309	25

Type	Order No	Qty.
AD 1	467 919	100

Type	Order No	Qty.
UK 2,5/2	474 122	25
UK 2,5/3	474 123	20
UK 2,5/4	474 124	15
UK 2,5/10	474 129	5
UK 2,5/50	474 210	20

Note: Only lower decks can be cross-connected

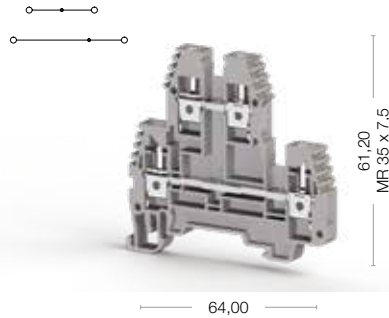
6/3
1/A3
IP 20 / -
D-NS 5x10, DB 10/5, DG 10/5, DG 10/5T

20 pcs.

Screw Type "V0" Double - Deck Terminals

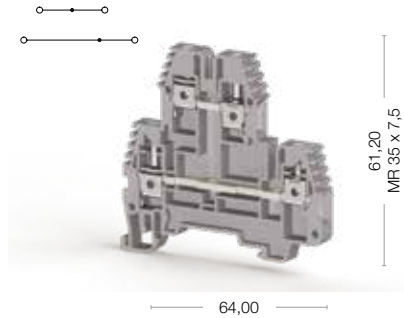
PIK 4 N/NM

Width: 6 mm



PIK 4 RD/NM

Width: 6 mm




Cat No:

- 309 309
- 309 300

Cat No:

- 309 449
- 309 440



Electrical Ratings	Voltage, V ~	Current, A	Cross-Section	Voltage, V ~	Current, A	Cross-Section
CE (EN 60947-7-1)	500	32	4 mm ²	500	32	4 mm ²
UL	300	30	AWG 26-10	300	30	AWG 26-10
VDE (IEC 60947-7-1)						
CSA						
ATEX	400	26	0,5-4 mm ²	400	26	0,5-4 mm ²
Connection Data						
Conductor cross section solid (min.-max.)			0,2-6 mm ²			0,2-6 mm ²
Conductor cross section stranded (min.-max.)			0,2-6 mm ²			0,2-6 mm ²
2 conductors with same cross section, stranded, TWIN ferrules with plastic sleeve, (min.-max.)			0,5-2,5 mm ²			0,5-2,5 mm ²
AWG Conductor			AWG 24-10			AWG 24-10
Insulation Stripping Length (min.-max.)			9-10 mm			9-10 mm
Torque (min.-max.)			0,5-0,8 Nm			0,5-0,8 Nm
Screwdriver			IKT 3 (0,6x3,5)			IKT 3 (0,6x3,5)
Ordering Data						
Technical Data For Diode						
Diode Voltage						
Diode Current						
Diode						
End Plate						
	Type	Order No	Qty.	Type	Order No	Qty.
	NPP/PIK 2,5-4 N/NM	451 309	25	NPP/PIK 2,5-4 N/NM	451 309	25
Small Partition						
	Type	Order No	Qty.			
	AD 1	467 919	100			
Cross Connection						
	Type	Order No	Qty.	Type	Order No	Qty.
	UK 4/2	474 132	25	UK 4/2/NM	470 312	25
	UK 4/3	474 133	20	UK 4/3/NM	470 313	20
	UK 4/4	474 134	15	UK 4/4/NM	470 314	15
	UK 4/10	474 139	5	UK 4/10/NM	470 319	5
	UK 4/20	474 180	5			
	UK 4/50	474 190	5			
Technical Data						
Rated Impulse Voltage / Pollution severity			6/3			6/3
Insulation material group / Gauge pin code according to IEC 60947-1			1/A4			1/A4
Protection class / Protection conductor type			IP 20 / -			IP 20 / -
Marking Tags (Dekafix)						
See pages 326-333 for a list of Dekafix			D-NS 6x10, DB 10/6, DG 10/6, DG 10/6T			D-NS 6x10, DB 10/6, DG 10/6, DG 10/6T
Package Quantity						
			100 pcs.			100 pcs.

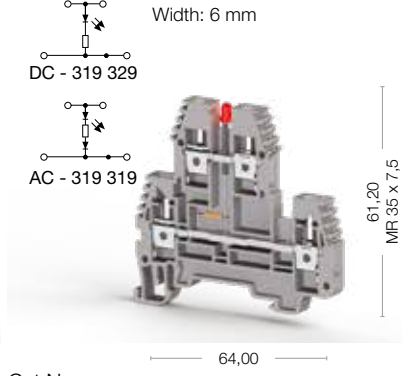
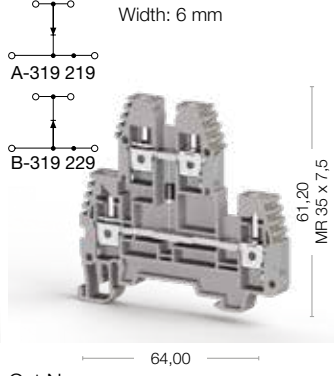
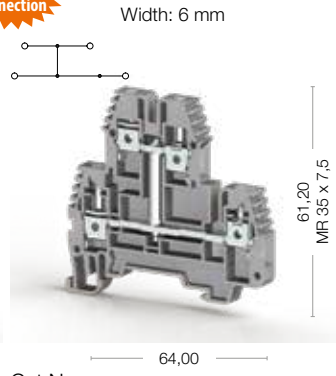
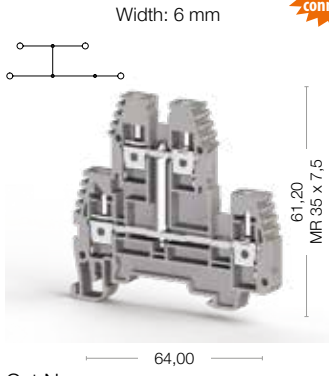
PIK 4 NK/NM



PIK 4 RDK/NM

PIK 4 ND/NM

PIK 4 NLD/NM



Cat No:

Cat No:

Cat No:

Cat No:

- 309 319
- 309 310

- 309 459
- 309 450

- 315 069
- 315 060

- 309 349
- 309 340

Voltage, V ~	Current, A	Cross-Section
500	32	4 mm ²
300	30	AWG 26-10

Voltage, V ~	Current, A	Cross-Section
500	32	4 mm ²

Voltage, V ~	Current, A	Cross-Section
500	1	4 mm ²
300	30	AWG 26-10

Voltage, V ~	Current, A	Cross-Section
	24	4 mm ²
	30	AWG 26-10

0,2-6 mm ²
0,2-6 mm ²
0,5-2,5 mm ²
AWG 24-10
9-10 mm
0,5-0,8 Nm
IKT 3 (0,6x3,5)

0,2-6 mm ²
0,2-6 mm ²
0,5-2,5 mm ²
AWG 24-10
9-10 mm
0,5-0,8 Nm
IKT 3 (0,6x3,5)

0,2-6 mm ²
0,2-6 mm ²
0,5-2,5 mm ²
AWG 24-10
9-10 mm
0,5-0,8 Nm
IKT 3 (0,6x3,5)

0,2-6 mm ²
0,2-6 mm ²
0,5-2,5 mm ²
AWG 24-10
9-10 mm
0,5-0,8 Nm
IKT 3 (0,6x3,5)

Type	Order No	Qty.

Type	Order No	Qty.

Type	Order No	Qty.
PIK 4 ND A/NM	315 069	20
PIK 4 ND B/NM	315 079	20

Type	Order No	Qty.
PIK 4 NLD/NM (24AC)	309 349	20
PIK 4 NLD/NM (24DC)	309 359	20
PIK 4 NLD/NM (48AC)	309 369	20
PIK 4 NLD/NM (48DC)	309 379	20
PIK 4 NLD/NM (110AC)	309 389	20
PIK 4 NLD/NM (110DC)	309 399	20
PIK 4 NLD/NM (220AC)	309 409	20
PIK 4 NLD/NM (220DC)	309 419	20

1000 V
1 A
1 N 4007

Type	Order No	Qty.
NPP/PIK 2,5-4 N/NM	451 309	25

Type	Order No	Qty.
NPP/PIK 2,5-4 N/NM	451 309	25

Type	Order No	Qty.
NPP/PIK 2,5-4 N/NM	451 309	25

Type	Order No	Qty.
NPP/PIK 2,5-4 N/NM	451 309	25

Type	Order No	Qty.
AD 1	467 919	100

Type	Order No	Qty.

Type	Order No	Qty.
AD 1	467 919	100

Type	Order No	Qty.
AD 1	467 919	100

Type	Order No	Qty.
UK 4/2	474 132	25
UK 4/3	474 133	20
UK 4/4	474 134	15
UK 4/10	474 139	5
UK 4/20	474 180	5
UK 4/50	474 190	5

Type	Order No	Qty.
UK 4/2/NM	470 312	25
UK 4/3/NM	470 313	20
UK 4/4/NM	470 314	15
UK 4/10/NM	470 319	5

Type	Order No	Qty.
UK 4/2	474 132	25
UK 4/3	474 133	20
UK 4/4	474 134	15
UK 4/10	474 139	5
UK 4/20	474 180	5
UK 4/50	474 190	5

Type	Order No	Qty.
UK 4/2	474 132	25
UK 4/3	474 133	20
UK 4/4	474 134	15
UK 4/10	474 139	5
UK 4/20	474 180	5
UK 4/50	474 190	5

Note: Only lower decks can be cross-connected

Note: Only lower decks can be cross-connected

Note: Only lower decks can be cross-connected

Note: Only lower decks can be cross-connected

6/3
1/A4
IP 20 / -
D-NS 6x10, DB 10/6, DG 10/6, DG 10/6T

6/3
1/A4
IP 20 / -
D-NS 6x10, DB 10/6, DG 10/6, DG 10/6T

6/3
1/A4
IP 20 / -
D-NS 6x10, DB 10/6, DG 10/6, DG 10/6T

6/3
1/A4
IP 20 / -
D-NS 6x10, DB 10/6, DG 10/6, DG 10/6T

20 pcs.

100 pcs.

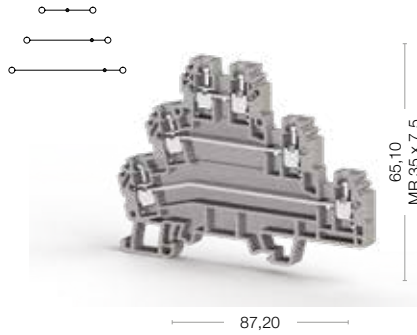
20 pcs.

20 pcs.

Screw Type "V0" Multilevel Terminals

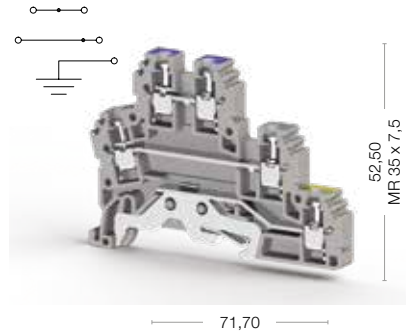
PUK 3/NM

Width: 6 mm



PUK 2 T/NM

Width: 6 mm



Cat No:

- 309 479
- 309 470

Cat No:

- 309 469
- 309 460



Electrical Ratings
CE (EN 60947-7-1 - EN 60947-7-2)
UL
VDE (IEC 60947-7-1)
CSA
ATEX

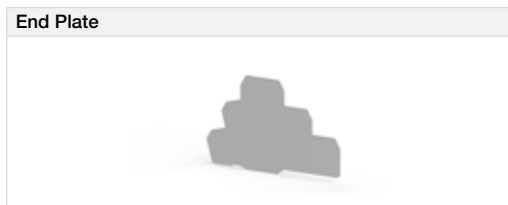
Voltage, V ~	Current, A	Cross-Section
440	24	2,5 mm ²
600	24	AWG 24-12
400	21	0,5-2,5 mm ²

Voltage, V ~	Current, A	Cross-Section
440	24	2,5 mm ²
600	24	AWG 24-12
400	21	0,5-2,5 mm ²

Connection Data
Conductor cross section solid (min.-max.)
Conductor cross section stranded (min.-max.)
2 conductors with same cross section, stranded, TWIN ferrules with plastic sleeve, (min.-max.)
AWG Conductor
Insulation Stripping Length (min.-max.)
Torque (min.-max.)
Screwdriver

0,2-4 mm ²
0,2-4 mm ²
0,5-1,5 mm ²
AWG 24-12
7-8 mm
0,4-0,6 Nm
IKT 3 (0,6x3,5)

0,2-4 mm ²
0,2-4 mm ²
0,5-1,5 mm ²
AWG 24-12
7-8 mm
0,4-0,6 Nm
IKT 3 (0,6x3,5)



Type	Order No	Qty.
NPP/PUK 3/NM	451 339	10

Type	Order No	Qty.
NPP/PUK 2 T/NM	451 329	10



Type	Order No	Qty.
UK 2,5/2	480 132	25
UK 2,5/3	480 133	20
UK 2,5/4	480 134	15
UK 2,5/10	480 139	5
UK 2,5/35	480 140	5

Type	Order No	Qty.
UK 2,5/2	480 132	25
UK 2,5/3	480 133	20
UK 2,5/4	480 134	15
UK 2,5/10	480 139	5
UK 2,5/35	480 140	5

Technical Data
Rated Impulse Voltage / Pollution severity
Insulation material group / Gauge pin code according to IEC 60947-1
Protection class / Protection conductor type
Marking Tags (Dekafix)
See pages 326-333 for a list of Dekafix

6/3
1/A3
IP 20 / -
DB 5

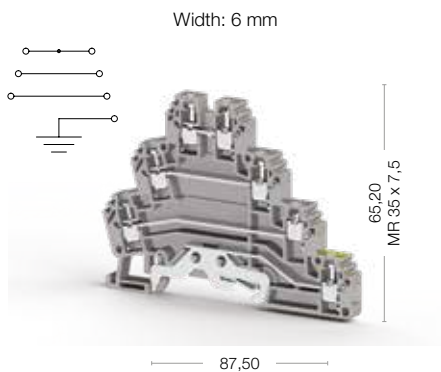
6/3
1/A3
IP 20 / NA / PE
DB 5

Package Quantity
20 pcs.

20 pcs.

20 pcs.

PUK 3 T/NM



Cat No:

- 309 489
- 309 480

Voltage, V ~	Current, A	Cross-Section
440	24	2,5 mm ²
600	24	AWG 24-12
400	21	0,5-2,5 mm ²

0,2-4 mm ²
0,2-4 mm ²
0,5-1,5 mm ²
AWG 24-12
7-8 mm
0,4-0,6 Nm
IKT 3 (0,6x3,5)

Type	Order No	Qty.
NPP/PUK 3 T/NM	451 349	10

Type	Order No	Qty.
UK 2,5/2	480 132	25
UK 2,5/3	480 133	20
UK 2,5/4	480 134	15
UK 2,5/10	480 139	5

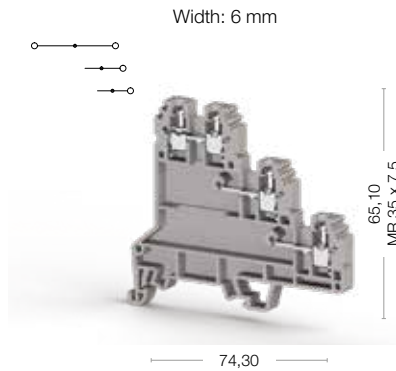
Note: Only upper decks can be cross-connected

6/3
1/A3
IP 20 / NA / PE
DB 5

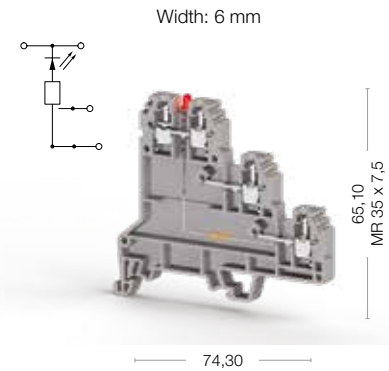
20 pcs.

Screw Type "V0" Sensor Terminals

PUK 3 S/NM



PUK 3 SLD (NPN)/NM



Cat No:

- 309 499
- 309 490

Cat No:

- 309 509
- 309 500



Electrical Ratings
CE (EN 60947-7-1)
UL
VDE (IEC 60947-7-1)
CSA
ATEX

Voltage, V ~	Current, A	Cross-Section
500	24	2,5 mm ²
300	20	AWG 24-12

Voltage, V ~	Current, A	Cross-Section
24	24	2,5 mm ²
300	20	AWG 24-12

Connection Data
Conductor cross section solid (min.-max.)
Conductor cross section stranded (min.-max.)
2 conductors with same cross section, stranded, TWIN ferrules with plastic sleeve, (min.-max.)
AWG Conductor
Insulation Stripping Length (min.-max.)
Torque (min.-max.)
Screwdriver

0,2-4 mm ²
0,2-4 mm ²
0,5-1,5 mm ²
AWG 24-12
7-8 mm
0,4-0,6 Nm
IKT 3 (0,6x3,5)

0,2-4 mm ²
0,2-4 mm ²
0,5-1,5 mm ²
AWG 24-12
7-8 mm
0,4-0,6 Nm
IKT 3 (0,6x3,5)



Type	Order No	Qty.
NPP/PUK 3 S/NM	451 359	10

Type	Order No	Qty.
NPP/PUK 3 S/NM	451 359	10



Type	Order No	Qty.
UK 2,5/2	480 132	25
UK 2,5/3	480 133	20
UK 2,5/4	480 134	15
UK 2,5/10	480 139	5
UK 2,5/35	480 140	5

Type	Order No	Qty.
UK 2,5/2	480 132	25
UK 2,5/3	480 133	20
UK 2,5/4	480 134	15
UK 2,5/10	480 139	5
UK 2,5/35	480 140	5

Technical Data
Rated Impulse Voltage / Pollution severity
Insulation material group / Gauge pin code according to IEC 60947-1
Protection class / Protection conductor type
Marking Tags (Dekafix)
See pages 326-333 for a list of Dekafix

6/3
1/A3
IP 20 / -
DB 5

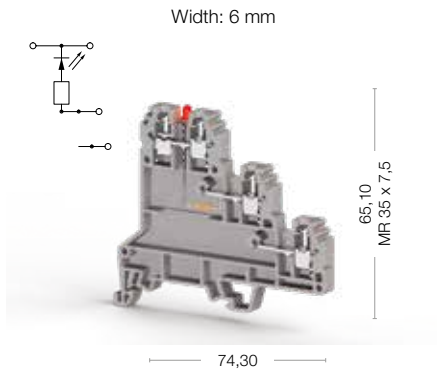
6/3
1/A3
IP 20 / -
DB 5

Package Quantity
20 pcs.

20 pcs.

20 pcs.

PUK 3 SLD (PNP)/NM



Cat No:

- 309 519
- 309 510

Voltage, V ~	Current, A	Cross-Section
24	24	2,5 mm ²
300	20	AWG 24-12

0,2-4 mm ²
0,2-4 mm ²
0,5-1,5 mm ²
AWG 24-12
7-8 mm
0,4-0,6 Nm
IKT 3 (0,6x3,5)

Type	Order No	Qty.
NPP/PUK 3 S/NM	451 359	10

Type	Order No	Qty.
UK 2,5/2	480 132	25
UK 2,5/3	480 133	20
UK 2,5/4	480 134	15
UK 2,5/10	480 139	5
UK 2,5/35	480 140	5

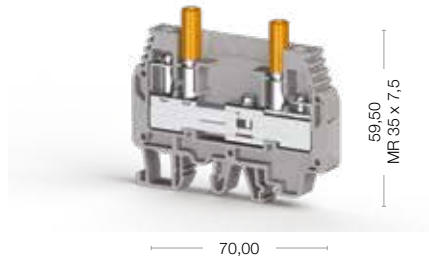
6/3
1/A3
IP 20 / PE
DB 5

20 pcs.

WGO Series "V0" Test / Disconnect Terminals

WGO 3/NM

Width: 8 mm

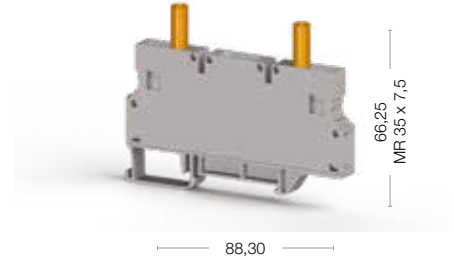


Cat No:

309 569
309 560

WGO 4/NM

Width: 8 mm



Cat No:

309 589
309 580



Electrical Ratings
CE (EN 60947-7-1)
UL
VDE (IEC 60947-7-1)
CSA
ATEX

Voltage, V ~	Current, A	Cross-Section
400	41	6 mm ²
300	43	AWG 20-8
400	36	0,5-10 mm ²

Voltage, V ~	Current, A	Cross-Section
1000	41	6 mm ²
300	48	AWG 26-8
400	36	0,5-10 mm ²

Connection Data
Conductor cross section solid (min.-max.)
Conductor cross section stranded (min.-max.)
2 conductors with same cross section, stranded, TWIN ferrules with plastic sleeve, (min.-max.)
AWG Conductor
Insulation Stripping Length (min.-max.)
Torque (min.-max.)
Screwdriver

0,2-10 mm ²
0,2-10 mm ²
0,5-4 mm ²
AWG 24-8
10-12 mm
0,8-1,2 Nm
IKT 4 (0,8x4,0)

0,2-10 mm ²
0,2-10 mm ²
0,5-4 mm ²
AWG 24-8
10-12 mm
0,8-1,0 Nm
IKT 4 (0,8x4,0)

Ordering Data
Without Socket - Beige / Grey
One Socket - Beige / Grey
Double Socket - Beige / Grey
One Test Socket - Beige / Grey
Double Test Socket - Beige / Grey

Type	Order No	Qty.
WGO 3/NM	309 529 - 520	50
WGO 3/NM	309 539 - 530	50
WGO 3/NM	309 549 - 540	50
WGO 3/NM	309 559 - 550	50
WGO 3/NM	309 569 - 560	50

Type	Order No	Qty.
WGO 4/NM	309 579 - 570	50
WGO 4/NM	309 589 - 580	50



Type	Order No	Qty.
NPP/WGO 3/NM	451 369	25

Type	Order No	Qty.



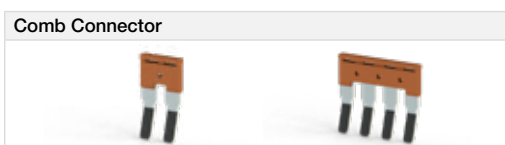
Type	Order No	Qty.
IZUK 6/2/NM	470 372	10
IZUK 6/3/NM	470 373	10
IZUK 6/4/NM	470 374	10
IZUK 6/6/NM	470 376	10
IZUK 6/10/NM	470 379	5
WGO UAA	498 300	1

Type	Order No	Qty.
IZUK 6/2/NM	470 372	10
IZUK 6/3/NM	470 373	10
IZUK 6/4/NM	470 374	10
IZUK 6/6/NM	470 376	10
IZUK 6/10/NM	470 379	5



Type	Order No	Qty.
TF (Ø4)	493 050	10

Type	Order No	Qty.
TF (Ø4)	493 050	10



Type	Order No	Qty.
TKO 6/2/NM	470 352	25
TKO 6/3/NM	470 353	20
TKO 6/4/NM	470 354	15
TKO 6/10/NM	470 359	5

Type	Order No	Qty.
UK 6/2/NM	470 322	25
UK 6/3/NM	470 323	20
UK 6/4/NM	470 324	15
UK 6/10/NM	470 329	5

Technical Data
Rated Impulse Voltage / Pollution severity
Insulation material group / Gauge pin code according to IEC 60947-1
Protection class / Protection conductor type

6/3
1/B5
IP 20 / -

6/3
1/B5
IP 20 / -

Marking Tags (Dekafix)
See pages 326-333 for a list of Dekafix

D-NS 8x10, DG 10/8

D-NS 8x10, DG 10/8, SLF-P1 W

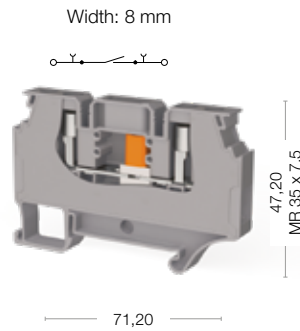
Package Quantity
50 pcs.

50 pcs.

50 pcs.

WGO 6 Series "V0" Test / Disconnect Terminals

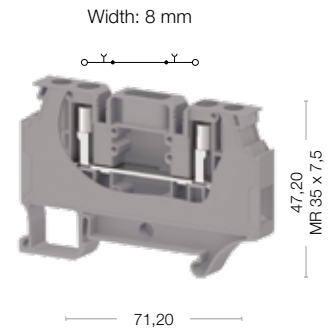
WGO 6/NM



Cat No:

309 609
309 600

WGO D6/NM



Cat No:

309 619
309 610



Electrical Ratings
CE (EN 60947-7-1)
UL
VDE (IEC 60947-7-1)
CSA
ATEX

Voltage, V ~	Current, A	Cross-Section
1000	41	6 mm ²
600	50	AWG 24-8

Voltage, V ~	Current, A	Cross-Section
1000	41	6 mm ²
600	50	AWG 24-8

Connection Data
Conductor cross section solid (min.-max.)
Conductor cross section stranded (min.-max.)
AWG Conductor
Torque
Hole Diameter
Bolt Diameter
Screwdriver

0,2-10 mm ²
0,2-10 mm ²
AWG 24-8
0,8-1,0 Nm
10 mm
B5
IKT 4 (0,8x4)

0,2-10 mm ²
0,2-10 mm ²
AWG 24-8
0,8-1,0 Nm
10 mm
B5
IKT 4 (0,8x4)

Cross Connection

Type	Order No	Qty.
CS 6/2	470 122	25
CS 6/3	470 123	20
CS 6/4	470 124	15
CS 6/5	470 125	10
CS 6/10	470 129	5
SCS 6/2	470 172	25
SCS 6/3	470 173	20
SCS 6/4	470 174	15

Type	Order No	Qty.
CS 6/2	470 122	25
CS 6/3	470 123	20
CS 6/4	470 124	15
CS 6/5	470 125	10
CS 6/10	470 129	5
SCS 6/2	470 172	25
SCS 6/3	470 173	20
SCS 6/4	470 174	15

Plastic Lock
Grey
Orange
Black

Type	Order No	Qty.
WGO 6_PK	469 079	50
WGO 6_PK	469 077	50
WGO 6_PK	469 075	50

Type	Order No	Qty.

Coding Plastic
Orange
Blue
Green
Yellow
Red
Black

Type	Order No	Qty.
WGO 6_KP	469 067	50
WGO 6_KP	469 061	50
WGO 6_KP	469 062	50
WGO 6_KP	469 063	50
WGO 6_KP	469 064	50
WGO 6_KP	469 065	50

Type	Order No	Qty.
WGO 6_KP	469 067	50
WGO 6_KP	469 061	50
WGO 6_KP	469 062	50
WGO 6_KP	469 063	50
WGO 6_KP	469 064	50
WGO 6_KP	469 065	50

Test Plug

Type	Order No	Qty.
TF04	493 050	10

Type	Order No	Qty.
TF04	493 050	10

Cross Connection Holder

Type	Order No	Qty.
ATCS 6	499 559	20

Type	Order No	Qty.
ATCS 6	499 559	20

Technical Data
Rated Impulse Voltage / Pollution severity
Insulation material group / Gauge pin code according to IEC 60947-1
Protection class / Protection conductor type
Marking Tags (Dekafix)
See pages 326-333 for a list of Dekafix

6/3
1/NA
IP 20 / -
D-NS 8x10, DG 10/8, SLF-P1 W

6/3
1/NA
IP 20 / -
D-NS 8x10, DG 10/8, SLF-P1 W

Package Quantity
50 pcs.

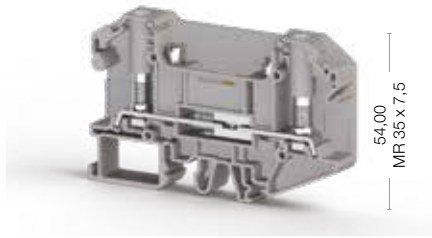
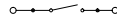
50 pcs.

Package Quantity
50 pcs.

WGO PB Series "V0" Test / Disconnect Terminals

WGO PB 6/NM

Width: 11 mm



54,00
MR 35 x 7,5

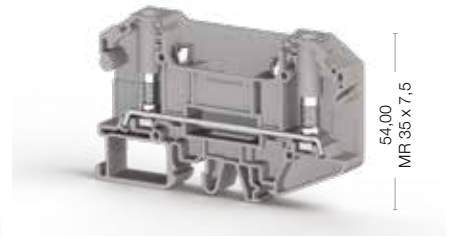
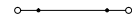
86,60

Cat No:

- 308 069
- 308 060

WGO PBD 6/NM

Width: 11 mm



54,00
MR 35 x 7,5

86,60

Cat No:

- 308 079
- 308 070



Electrical Ratings
CE (EN 60947-7-1)
UL
VDE (IEC 60947-7-1)
CSA
ATEX

Voltage, V ~	Current, A	Cross-Section
1000	41	6 mm ²
600	45	AWG 22-8
600	45	AWG 22-8
630	36	0,5-6 mm ²

Voltage, V ~	Current, A	Cross-Section
1000	41	6 mm ²
600	45	AWG 22-8
600	45	AWG 22-8

Connection Data
Conductor cross section solid (min.-max.)
Conductor cross section stranded (min.-max.)
AWG Conductor
Torque
Hole Diameter
Bolt Diameter
Screwdriver

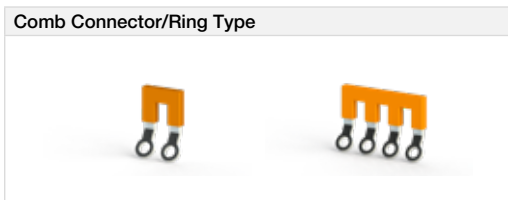
0,5-6 mm ²
0,5-6 mm ²
AWG 22-8
0,8-1,2 Nm
4,2 mm
4 mm
IKT 5 (1,0x5,5)

0,5-6 mm ²
0,5-6 mm ²
AWG 22-8
0,8-1,2 Nm
4,2 mm
4 mm
IKT 5 (1,0x5,5)



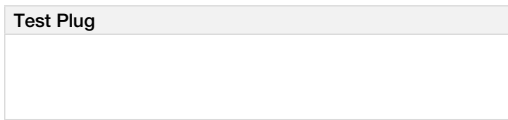
Type	Order No	Qty.
NPP/WGO PB 6	451 009	25
APP/WGO PB 6	464 019	25

Type	Order No	Qty.
NPP/WGO PB 6	451 009	25
APP/WGO PB 6	464 019	25



Type	Order No	Qty.
TKO PB 6/2	479 002	25
TKO PB 6/3	479 003	20
TKO PB 6/4	479 004	15
TKO PB 6/7	479 007	5
TKO PB 6/10	479 009	5

Type	Order No	Qty.
TKO PB 6/2	479 002	25
TKO PB 6/3	479 003	20
TKO PB 6/4	479 004	15
TKO PB 6/7	479 007	5
TKO PB 6/10	479 009	5



Technical Data
Rated Impulse Voltage / Pollution severity
Insulation material group / Gauge pin code according to IEC 60947-1
Protection class / Protection conductor type
Marking Tags (Dekafix)
See pages 326-333 for a list of Dekafix

6/3
1/NA
IP 20 / -
D-NS 8x10, DG 10/8

8/3
1/NA
IP 20 / -
D-NS 8x10, DG 10/8

--

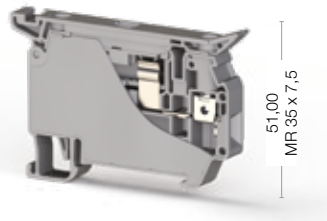
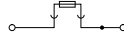
25 pcs.

25 pcs.

Screw Type "V0" Fuse Terminals

ASK 5/NM

Width: 8 mm

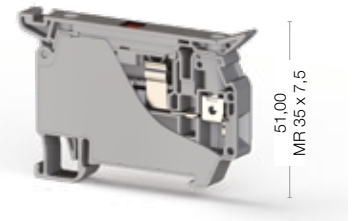


Cat No:

315 009

ASK 5 LD/NM

Width: 8 mm



Cat No:

315 019



Electrical Ratings
CE (EN 60947-7-3)
UL
VDE (IEC 60947-7-1)
CSA
ATEX

Voltage, V ~	Current, A	Cross-Section
500	10	4 mm ²
300	10	AWG 26-10

Voltage, V ~	Current, A	Cross-Section
	10	4 mm ²
	10	AWG 26-10

Connection Data
Conductor cross section solid (min.-max.)
Conductor cross section stranded (min.-max.)
2 conductors with same cross section, stranded, TWIN ferrules with plastic sleeve, (min.-max.)
AWG Conductor
Insulation Stripping Length (min.-max.)
Torque (min.-max.)
Screwdriver

0,2-6 mm ²
0,2-6 mm ²
0,5-2,5 mm ²
AWG 24-10
8-9 mm
0,5-0,8 Nm
IKT 3 (0,6x3,5)

0,2-6 mm ²
0,2-6 mm ²
0,5-2,5 mm ²
AWG 24-10
8-9 mm
0,5-0,8 Nm
IKT 3 (0,6x3,5)

Ordering Data

Type	Order No	Qty.
ASK 5 LD/NM 24V AC/DC	315 019	50
ASK 5 LD /NM 110V AC/DC	315 029	50
ASK 5 LD /NM 220V AC/DC	315 039	50

Type	Order No	Qty.
ASK 5 LD/NM 24V AC/DC	315 019	50
ASK 5 LD /NM 110V AC/DC	315 029	50
ASK 5 LD /NM 220V AC/DC	315 039	50

Push-in Cross Connection

Type	Order No	Qty.
UK 6/2/NM	470 322	25
UK 6/3/NM	470 323	20
UK 6/4/NM	470 324	15
UK 6/10/NM	470 329	5

Type	Order No	Qty.
UK 6/2/NM	470 322	25
UK 6/3/NM	470 323	20
UK 6/4/NM	470 324	15
UK 6/10/NM	470 329	5

Technical Data
Rated Impulse Voltage / Pollution severity
Insulation material group / Gauge pin code according to IEC 60947-1
Protection class / Protection conductor type
Fuse / Fuse Type
Marking Tags (Dekafix)
See pages 326-333 for a list of Dekafix

6/3
1/A4
IP 20 / -
G/5x20-5x25
D-NS 8x10, DG 10/8

6/3
1/A4
IP 20 / -
G/5x20-5x25
D-NS 8x10, DG 10/8

Package Quantity
50 pcs.

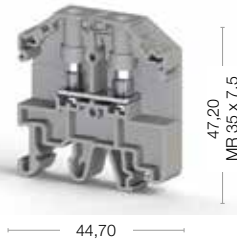
50 pcs.

Package Quantity
50 pcs.

PB Series "V0" Feed Through and Earth Terminals

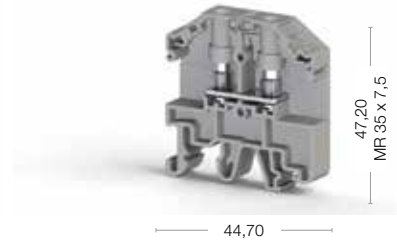
PB 2,5/NM

Width: 9 mm



PB 2,5K/NM

Width: 9 mm



Cat No:

308 029

Cat No:

308 039



Electrical Ratings

CE (EN 60947-7-1 / EN 60947-7-2)
UL
VDE (IEC 60947-7-1)
CSA
ATEX

Voltage, V ~	Current, A	Cross-Section
800	24	2,5 mm ²
600	20/15	AWG 26-14
600	20/15	AWG 26-14

Voltage, V ~	Current, A	Cross-Section
800	24	2,5 mm ²
600	20/15	AWG 26-14
600	20/15	AWG 26-14

Connection Data

Conductor cross section solid (min-max.)	0,1-2,5 mm ²
Conductor cross section stranded (min.-max.)	0,1-2,5 mm ²
AWG Conductor	AWG 26-14
Torque (min-max.)	0,6-0,8 Nm
Hole Diameter	3,2 mm
Bolt Diameter	3,0 mm
Screwdriver	IKT 4 (0,8x4,0)
Rail Tightening torque, min-max.	

Conductor cross section solid (min-max.)	0,1-2,5 mm ²
Conductor cross section stranded (min.-max.)	0,1-2,5 mm ²
AWG Conductor	AWG 26-14
Torque (min-max.)	0,6-0,8 Nm
Hole Diameter	3,2 mm
Bolt Diameter	3,0 mm
Screwdriver	IKT 4 (0,8x4,0)
Rail Tightening torque, min-max.	

Conductor cross section solid (min-max.)	0,1-2,5 mm ²
Conductor cross section stranded (min.-max.)	0,1-2,5 mm ²
AWG Conductor	AWG 26-14
Torque (min-max.)	0,6-0,8 Nm
Hole Diameter	3,2 mm
Bolt Diameter	3,0 mm
Screwdriver	IKT 4 (0,8x4,0)
Rail Tightening torque, min-max.	

End Plate - Disconnect Plate



Type	Order No	Qty.
NPP/PB 2,5/NM	451 029	25
APP/PB 2,5-6/NM	464 009	25

Type	Order No	Qty.
NPP/PB 2,5/NM	451 029	25
APP/PB 2,5-6/NM	464 009	25

Cross Connection



Type	Order No	Qty.
TKO PB 2,5/2	479 012	25
TKO PB 2,5/3	479 013	20
TKO PB 2,5/4	479 014	15
TKO PB 2,5/7	479 017	5
TKO PB 2,5/10	479 019	5

Type	Order No	Qty.
TKO PB 2,5/2	479 012	25
TKO PB 2,5/3	479 013	20
TKO PB 2,5/4	479 014	15
TKO PB 2,5/7	479 017	5
TKO PB 2,5/10	479 019	5

Test Plug



Type	Order No	Qty.
TF (Ø2,3)	493 023	5

Type	Order No	Qty.
TF (Ø2,3)	493 023	5

Technical Data

Rated Impulse Voltage / Pollution severity	8/3
Insulation material group / Gauge pin code according to IEC 60947-1	1/NA
Protection class / Protection conductor type	IP 20 / -

Rated Impulse Voltage / Pollution severity	8/3
Insulation material group / Gauge pin code according to IEC 60947-1	1/NA
Protection class / Protection conductor type	IP 20 / -

Rated Impulse Voltage / Pollution severity	8/3
Insulation material group / Gauge pin code according to IEC 60947-1	1/NA
Protection class / Protection conductor type	IP 20 / -

Marking Tags (Dekafix)

See pages 326-333 for a list of Dekafix

D-NS 6x10, DB 10/6, DG 10/6, DG 10/6T

D-NS 6x10, DB 10/6, DG 10/6, DG 10/6T

Package Quantity

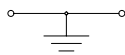
45 pcs.

45 pcs.

45 pcs.

PB 2,5T/NM

Width: 10 mm

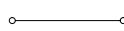


Cat No:

337 010

PB 6/NM

Width: 11 mm

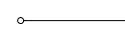


Cat No:

308 009

PB 6K/NM

Width: 11 mm



Cat No:

308 019

Voltage, V ~	Current, A	Cross-Section
		AWG 26-14
		AWG 26-14

0,1-2,5 mm ²		
0,1-2,5 mm ²		
AWG 26-14		
0,6-0,8 Nm		
3,2 mm		
3,0 mm		
IKT 5 (1,0x5,5)		
0,4-0,6 Nm		

Type	Order No	Qty.
NPP / PB 6/NM	451 019	25
APP / PB 2,5-6/NM	464 009	25

Type	Order No	Qty.
TKO- PB 6/2	479 002	25
TKO- PB 6/3	479 003	20
TKO- PB 6/4	479 004	15
TKO- PB 6/7	479 007	5
TKO- PB 6/10	479 009	5

Type	Order No	Qty.
TF (Ø4)	493 050	10

8/3		
1/NA		
IP 20 / PE		
D-NS 6x10, DB 10/6, DG 10/6, DG 10/6T		
45 pcs.		

Voltage, V ~	Current, A	Cross-Section
800	41	6 mm ²
600	45	AWG 22-8
600	45	AWG 22-8

0,5-6mm ²		
0,5-6 mm ²		
AWG 22-8		
0,8-1,2 Nm		
4,2 mm		
4,0 mm		
IKT 5 (1,0x5,5)		

Type	Order No	Qty.
NPP / PB 6/NM	451 019	25
APP / PB 2,5-6/NM	464 009	25

Type	Order No	Qty.
TKO- PB 6/2	479 002	25
TKO- PB 6/3	479 003	20
TKO- PB 6/4	479 004	15
TKO- PB 6/7	479 007	5
TKO- PB 6/10	479 009	5

Type	Order No	Qty.
TF (Ø4)	493 050	10

8/3		
1/NA		
IP 20 / -		
D-NS 8x10, DG 10/8		
40 pcs.		

Voltage, V ~	Current, A	Cross-Section
800	41	6 mm ²
600	45	AWG 22-8
600	45	AWG 22-8

0,5-6mm ²		
0,5-6 mm ²		
AWG 22-8		
0,8-1,2 Nm		
4,2 mm		
4,0 mm		
IKT 5 (1,0x5,5)		

Type	Order No	Qty.
NPP / PB 6/NM	451 019	25
APP / PB 2,5-6/NM	464 009	25

Type	Order No	Qty.
TKO- PB 6/2	479 002	25
TKO- PB 6/3	479 003	20
TKO- PB 6/4	479 004	15
TKO- PB 6/7	479 007	5
TKO- PB 6/10	479 009	5

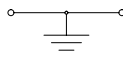
Type	Order No	Qty.
TF (Ø4)	493 050	10

8/3		
1/NA		
IP 20 / -		
D-NS 8x10, DG 10/8		
40 pcs.		

PB Series "V0" Feed Through and Earth Terminals

PB 6 T/NM

Width: 12 mm



Cat No:

337 000

PB 25/NM (M5)

Width: 18 mm



Cat No:

308 049



Electrical Ratings
CE (EN 60947-7-1 / EN 60947-7-2)
UL
VDE (IEC 60947-7-1)
CSA
ATEX

Voltage, V ~	Current, A	Cross-Section
		6 mm ²
		AWG 22-8
		AWG 22-8

Voltage, V ~	Current, A	Cross-Section
800	101	25 mm ²
600	115/85	AWG 26-4
600	115/85	AWG 26-4

Connection Data
Conductor cross section solid (min.-max.)
Conductor cross section stranded (min.-max.)
AWG Conductor
Torque (min.-max.)
Hole Diameter
Bolt Diameter
Screwdriver
Rail Tightening torque, min.-max.

0,5-6 mm ²
0,5-6 mm ²
AWG 22-8
0,8-1,2 Nm
4 mm
4,0 mm
IKT 5 (1,0x5,5)
0,6-08 Nm

1,5-25 mm ²
1,5-25 mm ²
AWG 26-4
3-3,5 Nm
5,2 mm
5,0 mm
IKT 5 (1,0x5,5)



Type	Order No	Qty.
NPP PB 25/NM	451 039	25
APP PB 25/NM	464 019	25



Type	Order No	Qty.
TKO PB 25/2	479 022	25

Technical Data
Rated Impulse Voltage / Pollution severity
Insulation material group / Gauge pin code according to IEC 60947-1
Protection class / Protection conductor type
Marking Tags (Dekafix)
See pages 326-333 for a list of Dekafix

8/3
1/NA
IP 20 / PE
D-NS 8x10, DG 10/8

8/3
1/NA
IP 20 / PE
D-NS 10x10, DG 10/10, D-NS 12x10

Package Quantity

40 pcs.

10 pcs.

PB 25/NM (M6)

Width: 18 mm



Cat No:

■ 308 059

Voltage, V ~	Current, A	Cross-Section
800	101	25 mm ²
600	115/85	AWG 26-4
600	115/85	AWG 26-4

1,5-25 mm ²
1,5-25 mm ²
AWG 16-4
3,2-3,7 Nm
6,2 mm
6,0 mm
IKT 5 (1,0x5,5)

Type	Order No	Qty.
NPP PB 25/NM	451 039	25
APP PB 25/NM	464 019	25

Type	Order No	Qty.
TKO PB 25/2	479 022	25

8/3
1/NA
IP 20 / PE
D-NS 10x10, DG 10/10, D-NS 12x10

10 pcs.

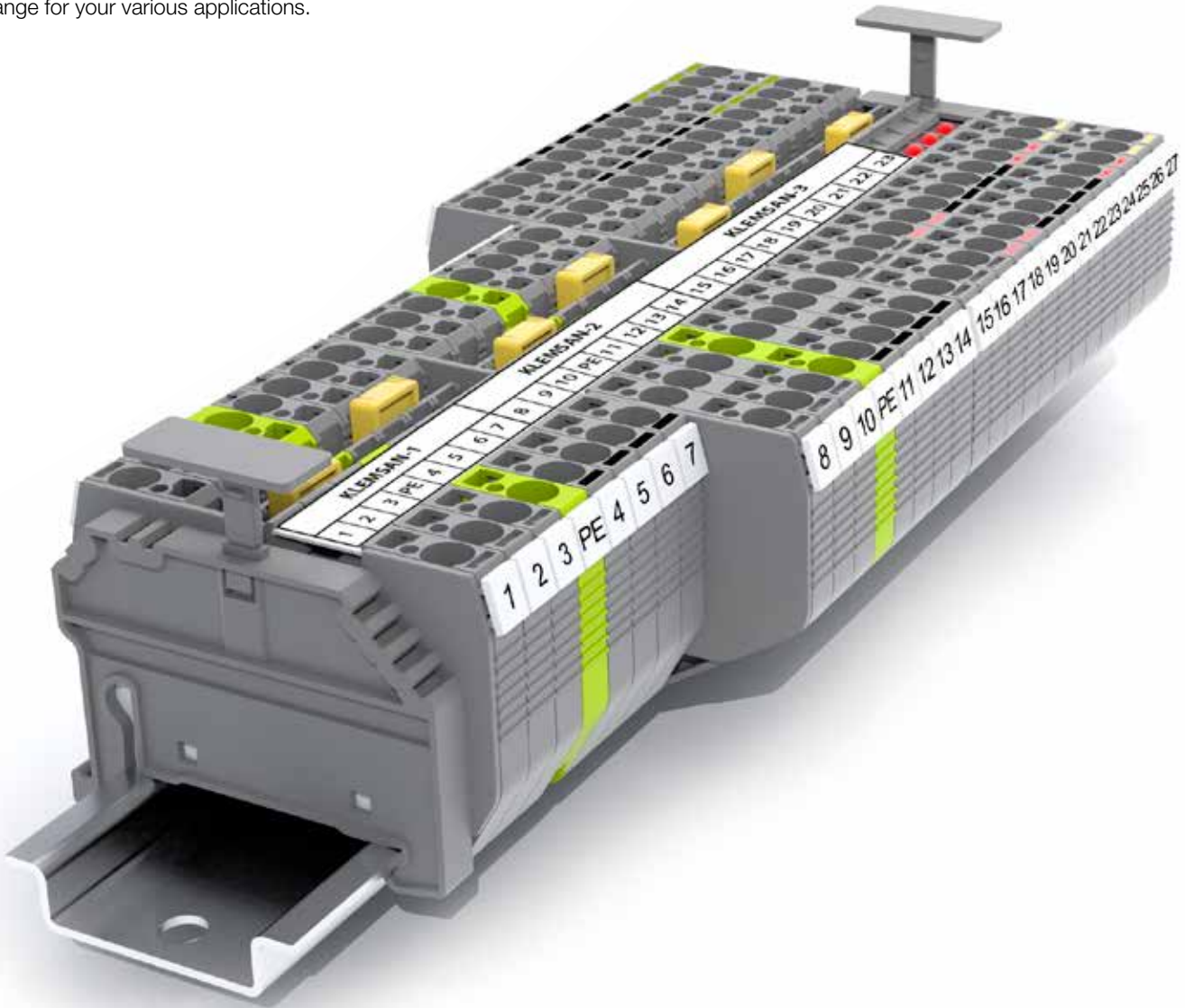
SRD Series Terminals

Complying EN 45545-2 European railway standard for fire safety classes R22-R23-R24-R26 for HL1 - HL2 - HL3

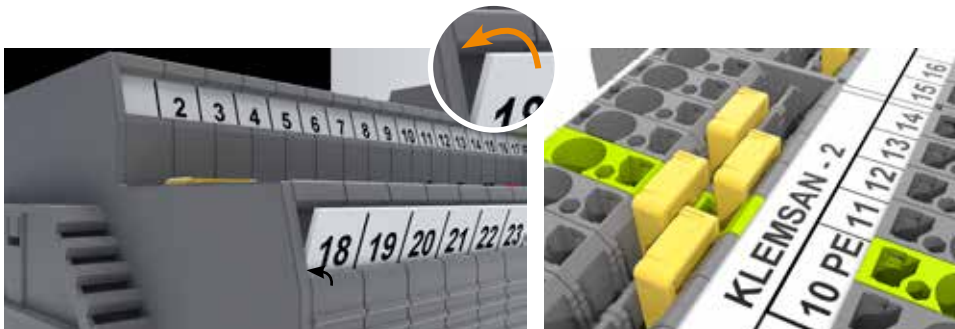
This is to certify that representative samples of the product as specified on this certificate were tested according to the current UL requirements.

Thanks to new ergonomical design and used push-in cross connections, SRD Series have quicker and easier rail mounting advantages compared with YBK series.

You can select special types SRD Series terminals (such as Led, Diodes... etc) from the range for your various applications.



SRD Series can be marked with marking strips, printed with thermal transfer printers. Single floor terminals can be marked with 11.2 mm strip labels, and double floor terminals can be marked with 4.9 mm strip labels.

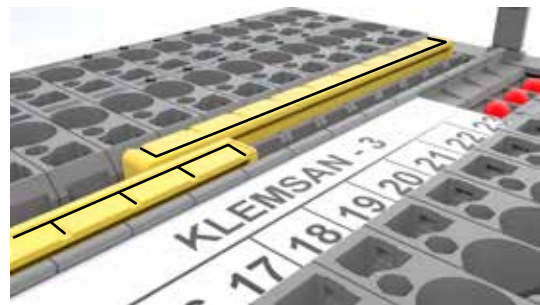
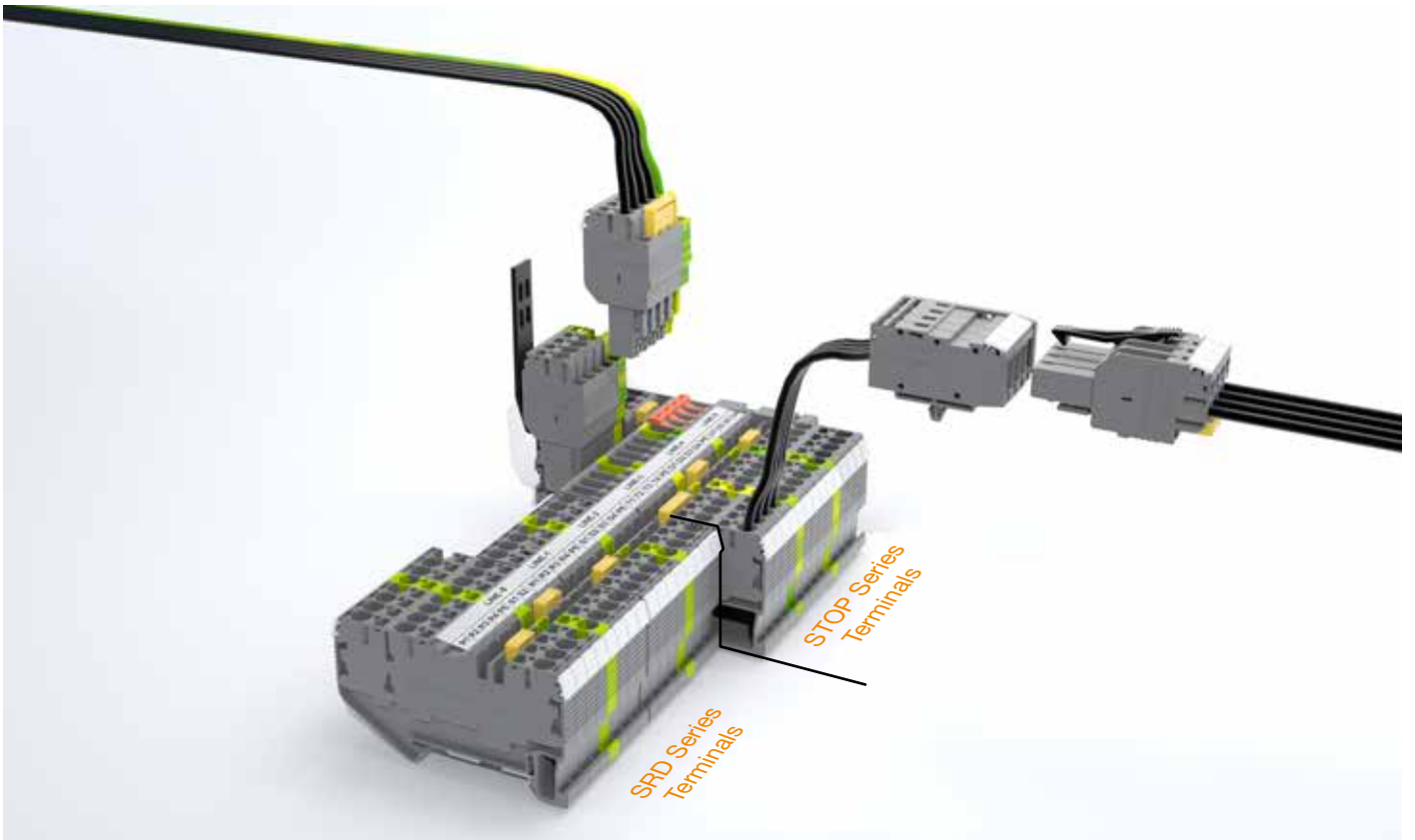




- ■ (Green +) and (Red -) : ..V/DC and Diode Version
- (Blue) : Neutral Connections
- (Black) : Combined Connections
- (Yellow) : Combined Connections



Wire Assembly for Terminals:
Wires can be assembled quickly and easily by opening the spring cage with suitable screwdriver



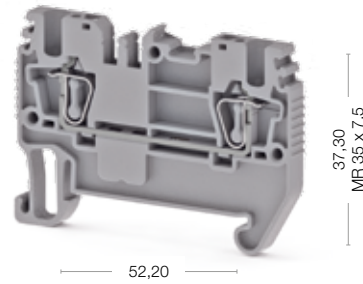
Cross Connection:

Thanks to dual cross connection ability, user can make continous cross connections. Same cross connections can be used together with STOP series even on same din rail Project. You can use permanent markers to indicate poles on cross-connectors.

SRD 1,5

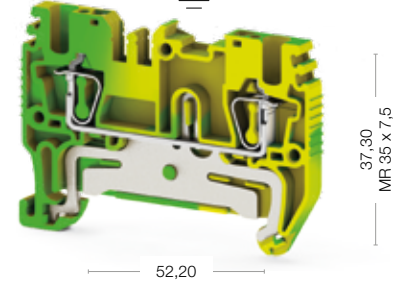
SRD 1,5

Width: 4,2 mm



SRD 1,5 T

Width: 4,2 mm



Cat No:

311 009
311 000

Cat No:

337 080



Electrical Ratings

IEC (EN 60947-7-1/EN 60947-7-2)
UL
VDE (IEC 60947-7-1)
CSA
ATEX

Voltage, V ~	Current, A	Cross-Section
800	17,5	0,08 - 1,5 mm ²

Voltage, V ~	Current, A	Cross-Section
		0,08 - 1,5 mm ²

Connection Data

Conductor cross section solid (min.-max.)
Conductor cross section stranded (min.-max.)
2 conductors with same cross section, stranded, TWIN ferrules with plastic sleeve
AWG Conductor
Insulation Stripping Length (min.-max.)
Screwdriver

0,08 - 1,5 mm ²
0,08 - 1,5 mm ²
0,5 mm ²
28-16
8-10
KT1 (0,4x2,5)

0,08 - 1,5 mm ²
0,08 - 1,5 mm ²
0,5 mm ²
28-16
8-10
KT1 (0,4x2,5)

Technical Data For Diode

Diode Reverse Voltage
Diode Current
Diode

End Plate



Type	Order No	Qty.
NPP/SRD 2,5	451 059	50

Type	Order No	Qty.
NPP/SRD 2,5	451 052T	50

Partition Plate



Type	Order No	Qty.
APP/SRD 2,5	464 029	50

Type	Order No	Qty.
APP/SRD 2,5	464 029	50

Test Plug



Type	Order No	Qty.
TF Ø2	493 020	5

Type	Order No	Qty.
TF Ø2	493 020	5

Cross Connection



Type	Order No	Qty.
CS 1,5/2	470 002	25
CS 1,5/3	470 003	20
CS 1,5/4	470 004	15
CS 1,5/5	470 005	10
CS 1,5/10	470 009	5

Type	Order No	Qty.

Technical Data

Rated Impulse Voltage / Pollution severity
Insulation material group / Gauge pin code according to IEC 60947-1
Protection class / Protection conductor type

8/3
1/A3
IP20/NA

8/3
1/A3
IP20/PE

Marking Tags (Dekafix)

See pages 326-333 for a list of Dekafix

D-NS 4,2x6, SLF-P1 W

D-NS 4,2x6, SLF-P1 W

Package Quantity

50

50

50

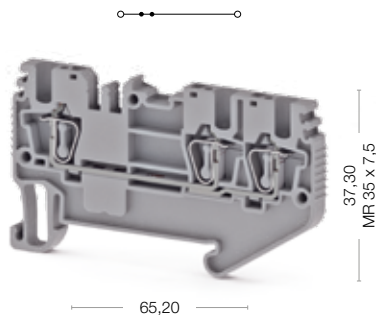
TST 1,5

Width: 4,2 mm



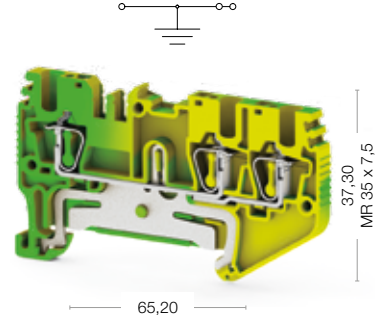
SRD 1,5 E

Width: 4,2 mm



SRD 1,5 ET

Width: 4,2 mm



Cat No:

499 659

Cat No:

310 019
310 010

Cat No:

337 090

Voltage, V ~	Current, A	Cross-Section
500	10	1,5 mm ²

0,08 - 1,5 mm ²		
0,08 - 1,5 mm ²		
0,5 mm ²		
28-16		
8-10		
KT1 (0,4x2,5)		

Type	Order No	Qty.

Type	Order No	Qty.

Type	Order No	Qty.
TF Ø2	493 020	5

Type	Order No	Qty.

1/A1		
IP 20 / -		
D-NS 4,2x6		

50

Voltage, V ~	Current, A	Cross-Section
800	17,5	0,08 - 1,5 mm ²

0,08 - 1,5 mm ²		
0,08 - 1,5 mm ²		
0,5 mm ²		
28-16		
8-10		
KT1 (0,4x2,5)		

Type	Order No	Qty.
NPP/SRD 2,5 E	451 159	50

Type	Order No	Qty.
APP/SRD 2,5 E	464 079	50

Type	Order No	Qty.
TF Ø2	493 020	5

Type	Order No	Qty.
CS 1,5/2	470 002	25
CS 1,5/3	470 003	20
CS 1,5/4	470 004	15
CS 1,5/5	470 005	10
CS 1,5/10	470 009	5

8/3		
1/A3		
IP20/NA		
D-NS 4,2x6, SLF-P1 W		

50

Voltage, V ~	Current, A	Cross-Section
		0,08 - 1,5 mm ²

0,08 - 1,5 mm ²		
0,08 - 1,5 mm ²		
0,5 mm ²		
28-16		
8-10		
KT1 (0,4x2,5)		

Type	Order No	Qty.
NPP/SRD 2,5 E	451 152T	50

Type	Order No	Qty.
APP/SRD 2,5 E	464 079	50

Type	Order No	Qty.
TF Ø2	493 020	5

Type	Order No	Qty.

8/3		
1/A3		
IP20/PE		
D-NS 4,2x6, SLF-P1 W		

50

SRD 1,5

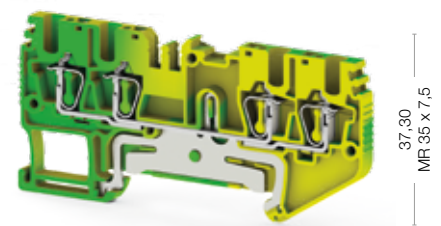
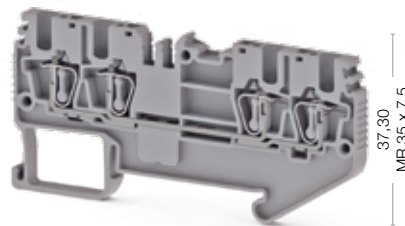
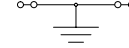
SRD 1,5 C

Width: 4,2 mm



SRD 1,5 CT

Width: 4,2 mm



78,10

78,10

Cat No:

311 029
311 020

Cat No:

337 100



Electrical Ratings

IEC (EN 60947-7-1/EN 60947-7-2)
UL
VDE (IEC 60947-7-1)
CSA
ATEX

Voltage, V ~	Current, A	Cross-Section
800	17,5	0,08 - 1,5 mm ²

Voltage, V ~	Current, A	Cross-Section
		0,08 - 1,5 mm ²

Connection Data

Conductor cross section solid (min.-max.)
Conductor cross section stranded (min.-max.)
2 conductors with same cross section, stranded, TWIN ferrules with plastic sleeve
AWG Conductor
Insulation Stripping Length (min.-max.)
Screwdriver

0,08 - 1,5 mm ²
0,08 - 1,5 mm ²
0,5 mm ²
28-16
8-10
KT1 (0,4x2,5)

0,08 - 1,5 mm ²
0,08 - 1,5 mm ²
0,5 mm ²
28-16
8-10
KT1 (0,4x2,5)

Technical Data For Diode

Diode Reverse Voltage
Diode Current
Diode

End Plate



Type	Order No	Qty.
NPP/SRD 2,5 C	451 189	50

Type	Order No	Qty.
NPP/SRD 2,5 C	451 182T	50

Partition Plate



Type	Order No	Qty.
APP/SRD 2,5 C	464 119	50

Type	Order No	Qty.
APP/SRD 2,5	464 119	50

Test Plug



Type	Order No	Qty.
TF Ø2	493 020	5

Type	Order No	Qty.
TF Ø2	493 020	5

Cross Connection



Type	Order No	Qty.
CS 1,5/2	470 002	25
CS 1,5/3	470 003	20
CS 1,5/4	470 004	15
CS 1,5/5	470 005	10
CS 1,5/10	470 009	5

Type	Order No	Qty.

Technical Data

Rated Impulse Voltage / Pollution severity
Insulation material group / Gauge pin code according to IEC 60947-1
Protection class / Protection conductor type

8/3
1/A3
IP20/NA

8/3
1/A3
IP20/PE

Marking Tags (Dekafix)

See pages 326-333 for a list of Dekafix

D-NS 4,2x6, SLF-P1 W

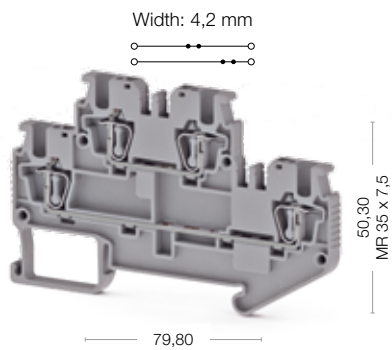
D-NS 4,2x6, SLF-P1 W

Package Quantity

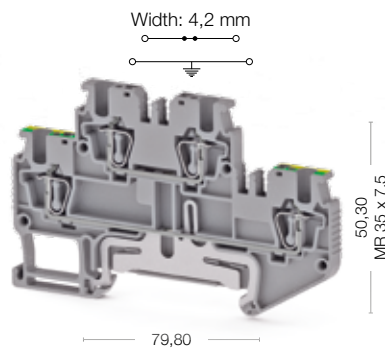
50

50

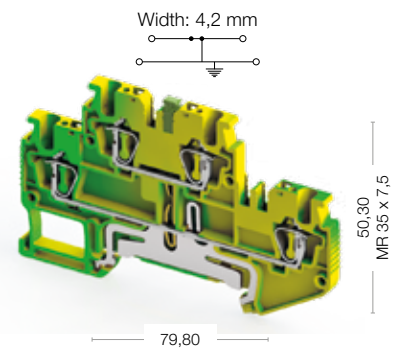
SRD 1,5 2F



SRD 1,5 FT



SRD 1,5 2T



Cat No:

311 049 311 041
311 040

Voltage, V ~	Current, A	Cross-Section
500	17,5	0,08 - 1,5 mm ²

0,08 - 1,5 mm ²		
0,08 - 1,5 mm ²		
0,5 mm ²		
28-16		
8-10		
KT1 (0,4x2,5)		

Type	Order No	Qty.
NPP / SRD 2.5_2F	451 079	50

Type	Order No	Qty.
APP / SRD 2.5_2F	464 069	50

Type	Order No	Qty.
TF Ø2	493 020	5

Type	Order No	Qty.
CS 1,5/2	470 002	25
CS 1,5/3	470 003	20
CS 1,5/4	470 004	15
CS 1,5/5	470 005	10
CS 1,5/10	470 009	5

8/3		
1/A3		
IP20/NA		
D-NS 4,2x6, SLF-P2 W		

50

Cat No:

311 039
311 030

Voltage, V ~	Current, A	Cross-Section
500	17,5	0,08 - 1,5 mm ²

0,08 - 1,5 mm ²		
0,08 - 1,5 mm ²		
0,5 mm ²		
28-16		
8-10		
KT1 (0,4x2,5)		

Type	Order No	Qty.
NPP / SRD 2.5_2F	451 079	50

Type	Order No	Qty.
APP / SRD 2.5_2F	464 069	50

Type	Order No	Qty.
TF Ø2	493 020	5

Type	Order No	Qty.
CS 1,5/2	470 002	25
CS 1,5/3	470 003	20
CS 1,5/4	470 004	15
CS 1,5/5	470 005	10
CS 1,5/10	470 009	5

8/3		
1/A3		
IP20/NA/PE		
D-NS 4,2x6, SLF-P2 W		

50

Cat No:

337 110

Voltage, V ~	Current, A	Cross-Section
		0,08 - 1,5 mm ²

0,08 - 1,5 mm ²		
0,08 - 1,5 mm ²		
0,5 mm ²		
28-16		
8-10		
KT1 (0,4x2,5)		

Type	Order No	Qty.
NPP / SRD 2.5_2F	451 079	50

Type	Order No	Qty.
APP / SRD 2.5_2F	464 069	50

Type	Order No	Qty.
TF Ø2	493 020	5

Type	Order No	Qty.
CS 1,5/2	470 002	25
CS 1,5/3	470 003	20
CS 1,5/4	470 004	15
CS 1,5/5	470 005	10
CS 1,5/10	470 009	5

8/3		
1/A3		
IP20/PE		
D-NS 4,2x6, SLF-P2 W		

50

SRD 2,5

SRD 2,5

Width: 5,2 mm

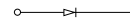


52,20

37,30
MF 35 x 7,5

SRD 2,5 D-A

Width: 5,2 mm



52,20

37,30
MF 35 x 7,5

Cat No:

- 311 059
- 311 050

Cat No:

- 311 069
- 311 060



Electrical Ratings

IEC (EN 60947-7-1/EN 60947-7-2)
UL
VDE (IEC 60947-7-1)
CSA
ATEX

Voltage, V ~	Current, A	Cross-Section
800	24	2,5 mm ²
600	20	AWG 28-12

Voltage, V ~	Current, A	Cross-Section
800	1	2,5 mm ²
600	1	AWG 28-12

The max. current is determined by the diode.
Installed: Diode 1N 4007, reverse voltage: 1300 V, maximum continuous current: 0.5 A.

Connection Data

Conductor cross section solid (min.-max.)
Conductor cross section stranded (min.-max.)
2 conductors with same cross section, stranded, TWIN ferrules with plastic sleeve
AWG Conductor
Insulation Stripping Length (min.-max.)
Screwdriver

0,08 - 4 mm ²
0,14 - 2,5 mm ²
0,5 mm ²
28-12
8-10
KT1 (0,4x2,5)

0,08 - 4 mm ²
0,14 - 2,5 mm ²
0,5 mm ²
28-12
8-10
KT1 (0,4x2,5)

Technical Data For Diode

Diode Reverse Voltage
Diode Current
Diod

1000V
1 A
1 N 4007

End Plate



Type	Order No	Qty.
NPP/SRD 2,5	451 059	50

Type	Order No	Qty.
NPP/SRD 2,5	451 059	50

Partition Plate



Type	Order No	Qty.
APP/SRD 2,5	464 029	50

Type	Order No	Qty.
APP/SRD 2,5	464 029	50

Test Plug



Type	Order No	Qty.
TF Ø2	493 020	5

Type	Order No	Qty.
TF Ø2	493 020	5

Cross Connection



Type	Order No	Qty.
CS 2,5/2	470 102	25
CS 2,5/3	470 103	20
CS 2,5/4	470 104	15
CS 2,5/5	470 105	10
CS 2,5/10	470 109	5
CS 2,5/20	470 170	10

Type	Order No	Qty.
CS 2,5/2	470 102	25
CS 2,5/3	470 103	20
CS 2,5/4	470 104	15
CS 2,5/5	470 105	10
CS 2,5/10	470 109	5
CS 2,5/20	470 170	10

Technical Data

Rated Impulse Voltage / Pollution severity
Insulation material group / Gauge pin code according to IEC 60947-1
Protection class / Protection conductor type
Marking Tags (Dekafix)
See pages 326-333 for a list of Dekafix

8/3
1/A3
IP20/NA
D-NS 5,2x6, SLF-P1 W

8/3
1/A3
IP20/NA
D-NS 5,2x6, SLF-P1 W

Package Quantity

--

50

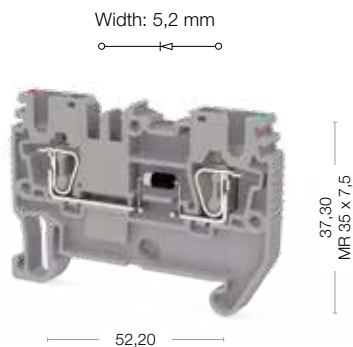
50

Color

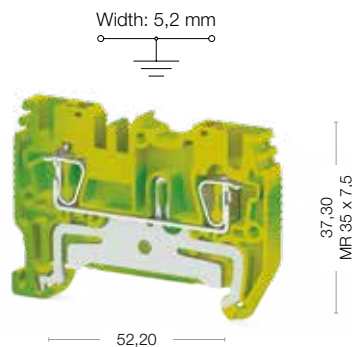
Color code is the last digit of the order number

Blue	Green	Yellow	Red	Black	White	Orange
1	2	3	4	5	6	7

SRD 2,5 D-B



SRD 2,5 T



TST 2,5



Cat No:

- 311 079
- 311 070

Voltage, V ~	Current, A	Cross-Section
800	1	2,5 mm ²
600	1	AWG 28-12
The max. current is determined by the diode. Installed: Diode 1N 4007, reverse voltage: 1300 V, maximum continuous current: 0,5 A.		

0,08 - 4 mm ²
0,14 - 2,5 mm ²
0,5 mm ²
28-12
8-10
KT1 (0,4x2,5)

1000V
1 A
1 N 4007

Type	Order No	Qty.
NPP/SRD 2,5	451 059	50

Type	Order No	Qty.
APP/SRD 2,5	464 029	50

Type	Order No	Qty.
TF Ø2	493 020	5

Type	Order No	Qty.
CS 2,5/2	470 102	25
CS 2,5/3	470 103	20
CS 2,5/4	470 104	15
CS 2,5/5	470 105	10
CS 2,5/10	470 109	5
CS 2,5/20	470 170	10

8/3
1/A3
IP20/NA
D-NS 5,2x6, SLF-P1 W

50

Cat No:

- 337 120

Voltage, V ~	Current, A	Cross-Section
		2,5 mm ²
		AWG 28-12

0,08 - 4 mm ²
0,14 - 2,5 mm ²
0,5 mm ²
28-12
8-10
KT1 (0,4x2,5)

1000V
1 A
1 N 4007

Type	Order No	Qty.
NPP/SRD 2,5	451 052T	50

Type	Order No	Qty.
APP/SRD 2,5	464 029	50

Type	Order No	Qty.
TF Ø2	493 020	5

Type	Order No	Qty.
CS 2,5/2	470 102	25
CS 2,5/3	470 103	20
CS 2,5/4	470 104	15
CS 2,5/5	470 105	10
CS 2,5/10	470 109	5
CS 2,5/20	470 170	10

8/3
1/A3
IP20/PE
D-NS 5,2x6, SLF-P1 W

50

Cat No:

- 499 759

Voltage, V ~	Current, A	Cross-Section
500	15	2,5 mm ²

0,08 - 4 mm ²
0,14 - 2,5 mm ²
0,5 mm ²
28-12
8-10
KT1 (0,4x2,5)

1000V
1 A
1 N 4007

Type	Order No	Qty.

Type	Order No	Qty.

Type	Order No	Qty.
TF Ø2	493 020	5

Type	Order No	Qty.

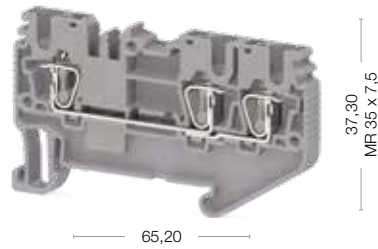
8/3
1/A3
IP20/-
D-NS 5,2x6

50

SRD 2,5 E

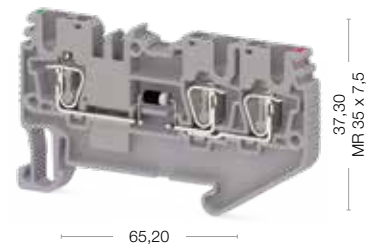
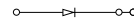
SRD 2,5 E

Width: 5,2 mm



SRD 2,5 ED-A

Width: 5,2 mm



Cat No:

311 089
311 080

Cat No:

311 099
311 090



Electrical Ratings
IEC (EN 60947-7-1/EN 60947-7-2)
UL
VDE (IEC 60947-7-1)
CSA
ATEX

Voltage, V ~	Current, A	Cross-Section
800	24	2,5 mm ²
600	20	AWG 28-12

Voltage, V ~	Current, A	Cross-Section
800	1	2,5 mm ²
600	1	AWG 28-12

The max. current is determined by the diode.
Installed: Diode 1N 4007, reverse voltage: 1300 V, maximum continuous current: 0.5 A.

Connection Data	
Conductor cross section solid (min.-max.)	0,08 - 4 mm ²
Conductor cross section stranded (min.-max.)	0,14 - 2,5 mm ²
2 conductors with same cross section, stranded, TWIN ferrules with plastic sleeve	0,5 mm ²
AWG Conductor	28-12
Insulation Stripping Length (min.-max.)	8-10
Screwdriver	KT1 (0,4x2,5)

Conductor cross section solid (min.-max.)	0,08 - 4 mm ²
Conductor cross section stranded (min.-max.)	0,14 - 2,5 mm ²
2 conductors with same cross section, stranded, TWIN ferrules with plastic sleeve	0,5 mm ²
AWG Conductor	28-12
Insulation Stripping Length (min.-max.)	8-10
Screwdriver	KT1 (0,4x2,5)

Conductor cross section solid (min.-max.)	0,08 - 4 mm ²
Conductor cross section stranded (min.-max.)	0,14 - 2,5 mm ²
2 conductors with same cross section, stranded, TWIN ferrules with plastic sleeve	0,5 mm ²
AWG Conductor	28-12
Insulation Stripping Length (min.-max.)	8-10
Screwdriver	KT1 (0,4x2,5)

Technical Data For Diode	
Diode Reverse Voltage	1000V
Diode Current	1 A
Diod	1 N 4007

Diode Reverse Voltage	1000V
Diode Current	1 A
Diod	1 N 4007

Diode Reverse Voltage	1000V
Diode Current	1 A
Diod	1 N 4007

End Plate


Type	Order No	Qty.
NPP/SRD 2,5E	451 159	50

Type	Order No	Qty.
NPP/SRD 2,5E	451 159	50

Partition Plate



Type	Order No	Qty.
APP/SRD 2,5E	464 079	50

Type	Order No	Qty.
APP/SRD 2,5E	464 079	50

Test Plug


Type	Order No	Qty.
TF Ø2	493 020	5

Type	Order No	Qty.
TF Ø2	493 020	5

Cross Connection


Type	Order No	Qty.
CS 2,5/2	470 102	25
CS 2,5/3	470 103	20
CS 2,5/4	470 104	15
CS 2,5/5	470 105	10
CS 2,5/10	470 109	5
CS 2,5/20	470 170	10

Type	Order No	Qty.
CS 2,5/2	470 102	25
CS 2,5/3	470 103	20
CS 2,5/4	470 104	15
CS 2,5/5	470 105	10
CS 2,5/10	470 109	5
CS 2,5/20	470 170	10

Technical Data	
Rated Impulse Voltage / Pollution severity	8/3
Insulation material group / Gauge pin code according to IEC 60947-1	1/A3
Protection class / Protection conductor type	IP20/NA
Marking Tags (Dekafix)	
See pages 326-333 for a list of Dekafix	D-NS 5,2x6, SLF-P1 W

Rated Impulse Voltage / Pollution severity	8/3
Insulation material group / Gauge pin code according to IEC 60947-1	1/A3
Protection class / Protection conductor type	IP20/NA
Marking Tags (Dekafix)	
See pages 326-333 for a list of Dekafix	D-NS 5,2x6, SLF-P1 W

Rated Impulse Voltage / Pollution severity	8/3
Insulation material group / Gauge pin code according to IEC 60947-1	1/A3
Protection class / Protection conductor type	IP20/NA
Marking Tags (Dekafix)	
See pages 326-333 for a list of Dekafix	D-NS 5,2x6, SLF-P1 W

Package Quantity
50

50

50

Color														
Color code is the last digit of the order number														
<table border="1"> <tr> <td>Blue</td> <td>Green</td> <td>Yellow</td> <td>Red</td> <td>Black</td> <td>White</td> <td>Orange</td> </tr> <tr> <td>1</td> <td>2</td> <td>3</td> <td>4</td> <td>5</td> <td>6</td> <td>7</td> </tr> </table>	Blue	Green	Yellow	Red	Black	White	Orange	1	2	3	4	5	6	7
Blue	Green	Yellow	Red	Black	White	Orange								
1	2	3	4	5	6	7								

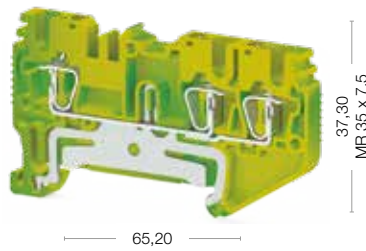
SRD 2,5 ED-B

Width: 5,2 mm



SRD 2,5 ET

Width: 5,2 mm



Cat No:

311 109
311 100

Voltage, V ~	Current, A	Cross-Section
800	1	2,5 mm ²
600	1	AWG 28-12
The max. current is determined by the diode. Installed: Diode 1N 4007, reverse voltage: 1300 V, maximum continuous current: 0.5 A.		

0,08 - 4 mm ²
0,14 - 2,5 mm ²
0,5 mm ²
28-12
8-10
KT1 (0,4x2,5)

1000V
1 A
1 N 4007

Type	Order No	Qty.
NPP/SRD 2,5E	451 159	50

Type	Order No	Qty.
APP/SRD 2,5E	464 079	50

Type	Order No	Qty.
TF Ø2	493 020	5

Type	Order No	Qty.
CS 2,5/2	470 102	25
CS 2,5/3	470 103	20
CS 2,5/4	470 104	15
CS 2,5/5	470 105	10
CS 2,5/10	470 109	5
CS 2,5/20	470 170	10

8/3
1/A3
IP20/NA
D-NS 5,2x6, SLF-P1 W

50

Cat No:

337 130

Voltage, V ~	Current, A	Cross-Section
		2,5 mm ²
		AWG 28-12

0,08 - 4 mm ²
0,14 - 2,5 mm ²
0,5 mm ²
28-12
8-10
KT1 (0,4x2,5)

1000V
1 A
1 N 4007

Type	Order No	Qty.
NPP/SRD 2,5E	451 152T	50

Type	Order No	Qty.
APP/SRD 2,5E	464 079	50

Type	Order No	Qty.
TF Ø2	493 020	5

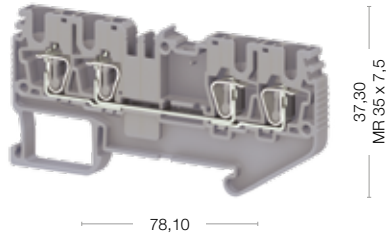
8/3
1/A3
IP20/PE
D-NS 5,2x6, SLF-P1 W

50

SRD 2,5 C

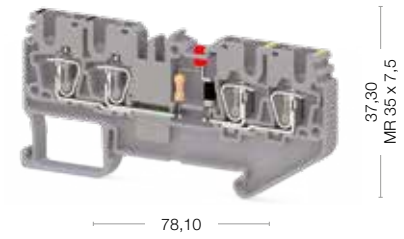
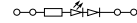
SRD 2,5 C

Width: 5,2 mm



SRD 2,5 CLD-24VAC

Width: 5,2 mm



Cat No:

311 119
311 110

Cat No:

311 169
311 160



Electrical Ratings
IEC (EN 60947-7-1/EN 60947-7-2)
UL
VDE (IEC 60947-7-1)
CSA
ATEX

Voltage, V ~	Current, A	Cross-Section
800	24	2,5 mm ²
600	20	AWG 28-12

Voltage, V ~	Current, A	Cross-Section
24	24	2,5 mm ²
24V (AC)	20	AWG 28-12

Connection Data
Conductor cross section solid (min.-max.)
Conductor cross section stranded (min.-max.)
2 conductors with same cross section, stranded, TWIN ferrules with plastic sleeve
AWG Conductor
Insulation Stripping Length (min.-max.)
Screwdriver

0,08 - 4 mm ²
0,14 - 2,5 mm ²
0,5 mm ²
28-12
8-10
KT1 (0,4x2,5)

0,08 - 4 mm ²
0,14 - 2,5 mm ²
0,5 mm ²
28-12
8-10
KT1 (0,4x2,5)

Technical Data For Diode
Diode Reverse Voltage
Diode Current
Diod

1000V
1 A
1 N 4007

End Plate

Type	Order No	Qty.
NPP/SRD 2,5C	451 189	50

Type	Order No	Qty.
NPP/SRD 2,5C	451 189	50

Partition Plate

Type	Order No	Qty.
APP/SRD 2,5C	464 119	50

Type	Order No	Qty.
APP/SRD 2,5C	464 119	50

Test Plug

Type	Order No	Qty.
TF Ø2	493 020	5

Type	Order No	Qty.
TF Ø2	493 020	5

Cross Connection

Type	Order No	Qty.
CS 2,5/2	470 102	25
CS 2,5/3	470 103	20
CS 2,5/4	470 104	15
CS 2,5/5	470 105	10
CS 2,5/10	470 109	5
CS 2,5/20	470 170	10

Type	Order No	Qty.
CS 2,5/2	470 102	25
CS 2,5/3	470 103	20
CS 2,5/4	470 104	15
CS 2,5/5	470 105	10
CS 2,5/10	470 109	5
CS 2,5/20	470 170	10

Technical Data
Rated Impulse Voltage / Pollution severity
Insulation material group / Gauge pin code according to IEC 60947-1
Protection class / Protection conductor type
Marking Tags (Dekafix)
See pages 326-333 for a list of Dekafix

8/3
1/A3
IP20/NA
D-NS 5,2x6, SLF-P1 W

8/3
1/A3
IP20/NA
D-NS 5,2x6, SLF-P1 W

Package Quantity

50

50

Color						
Color code is the last digit of the order number						
Blue	Green	Yellow	Red	Black	White	Orange
1	2	3	4	5	6	7

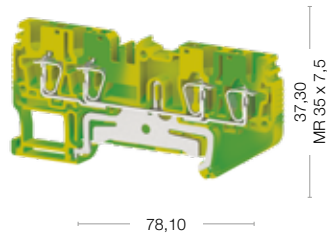
SRD 2,5 Cx2

Width: 5,2 mm



SRD 2,5 CT

Width: 5,2 mm



SRD 2,5 CD-A

Width: 5,2 mm



SRD 2,5 CD-B

Width: 5,2 mm



Cat No:

- 311 149
- 311 140

Voltage, V ~	Current, A	Cross-Section
500	24	2,5 mm ²
300	20	AWG 28-12

Cat No:

- 337 140

Voltage, V ~	Current, A	Cross-Section
		2,5 mm ²
		AWG 28-12

Cat No:

- 311 129
- 311 120

Voltage, V ~	Current, A	Cross-Section
800	24	2,5 mm ²
600	20	AWG 28-12

Cat No:

- 311 139
- 311 130

Voltage, V ~	Current, A	Cross-Section
800	24	2,5 mm ²
600	20	AWG 28-12

0,08 - 4 mm ²
0,14 - 2,5 mm ²
0,5 mm ²
28-12
8-10
KT1 (0,4x2,5)

0,08 - 4 mm ²
0,14 - 2,5 mm ²
0,5 mm ²
28-12
8-10
KT1 (0,4x2,5)

0,08 - 4 mm ²
0,14 - 2,5 mm ²
0,5 mm ²
28-12
8-10
KT1 (0,4x2,5)

0,08 - 4 mm ²
0,14 - 2,5 mm ²
0,5 mm ²
28-12
8-10
KT1 (0,4x2,5)

Type	Order No	Qty.
NPP/SRD 2,5C	451 189	50

Type	Order No	Qty.
NPP/SRD 2,5C	451 182T	50

Type	Order No	Qty.
NPP/SRD 2,5C	451 189	50

Type	Order No	Qty.
NPP/SRD 2,5C	451 189	50

Type	Order No	Qty.
APP/SRD 2,5C	464 119	50

Type	Order No	Qty.
APP/SRD 2,5C	464 119	50

Type	Order No	Qty.
APP/SRD 2,5C	464 119	50

Type	Order No	Qty.
APP/SRD 2,5C	464 119	50

Type	Order No	Qty.
TF Ø2	493 020	5

Type	Order No	Qty.
TF Ø2	493 020	5

Type	Order No	Qty.
TF Ø2	493 020	5

Type	Order No	Qty.
TF Ø2	493 020	5

Type	Order No	Qty.
CS 2,5/2	470 102	25
CS 2,5/3	470 103	20
CS 2,5/4	470 104	15
CS 2,5/5	470 105	10
CS 2,5/10	470 109	5
CS 2,5/20	470 170	10

Type	Order No	Qty.

Type	Order No	Qty.
CS 2,5/2	470 102	25
CS 2,5/3	470 103	20
CS 2,5/4	470 104	15
CS 2,5/5	470 105	10
CS 2,5/10	470 109	5
CS 2,5/20	470 170	10

Type	Order No	Qty.
CS 2,5/2	470 102	25
CS 2,5/3	470 103	20
CS 2,5/4	470 104	15
CS 2,5/5	470 105	10
CS 2,5/10	470 109	5
CS 2,5/20	470 170	10

8/3
1/A3
IP20/NA
D-NS 5,2x6, SLF-P1 W

8/3
1/A3
IP20/PE
D-NS 5,2x6, SLF-P1 W

8/3
1/A3
IP20/NA
D-NS 5,2x6, SLF-P1 W

8/3
1/A3
IP20/NA
D-NS 5,2x6, SLF-P1 W

50

50

50

50

SRD 2,5 CLD-..... Ordering Data		
24VDC	Gray	311 159
	Beige	311 150
48VAC	Gray	311 189
	Beige	311 180

SRD 2,5 CLD-..... Ordering Data		
48VDC	Gray	311 179
	Beige	311 170
110VAC	Gray	311 209
	Beige	311 200

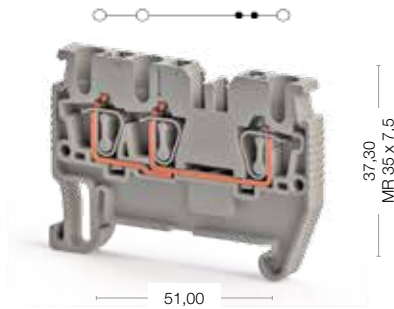
SRD 2,5 CLD-..... Ordering Data		
110VDC	Gray	311 199
	Beige	311 190
220VAC	Gray	311 229
	Beige	311 220

SRD 2,5 CLD-..... Ordering Data		
220VDC	Gray	311 219
	Beige	311 210

SRD 2,5 ME

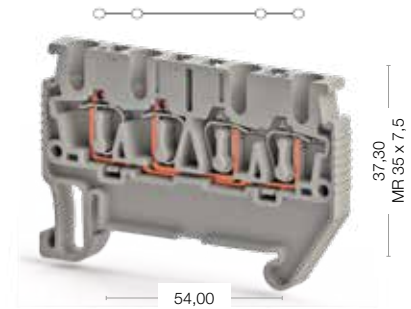
SRD 2,5 ME

Width: 5,2 mm



SRD 2,5 MC

Width: 5,2 mm



Cat No:

- 312 329
- 312 320

Cat No:

- 312 339
- 312 330



Electrical Ratings
IEC (EN 60947-7-1/EN 60947-7-2)
UL
VDE (IEC 60947-7-1)
CSA
ATEX

Voltage, V ~	Current, A	Cross-Section
500	24	2,5 mm ²

Voltage, V ~	Current, A	Cross-Section
500	24	2,5 mm ²

Connection Data	
Conductor cross section solid (min.-max.)	0,08 - 4 mm ²
Conductor cross section stranded (min.-max.)	0,14 - 2,5 mm ²
2 conductors with same cross section, stranded, TWIN ferrules with plastic sleeve	0,5 mm ²
AWG Conductor	28-12
Insulation Stripping Length (min.-max.)	8-10
Screwdriver	KT1 (0,4x2,5)

Technical Data For Diode
Diode Reverse Voltage
Diode Current
Diod

End Plate


Type	Order No	Qty.
NPP / SRD 2.5ME	451 399	50

Type	Order No	Qty.
NPP / SRD 2.5MC	451 409	50

Partition Plate



Type	Order No	Qty.

Type	Order No	Qty.

Test Plug


Type	Order No	Qty.

Type	Order No	Qty.
TF Ø2	493 020	5

Cross Connection


Type	Order No	Qty.
CS 2,5/2	470 102	25
CS 2,5/3	470 103	20
CS 2,5/4	470 104	15
CS 2,5/5	470 105	10
CS 2,5/10	470 109	5
CS 2,5/20	470 170	10

Type	Order No	Qty.

Technical Data	
Rated Impulse Voltage / Pollution severity	8/3
Insulation material group / Gauge pin code according to IEC 60947-1	1/A3
Protection class / Protection conductor type	IP20/NA
Marking Tags (Dekafix)	
See pages 326-333 for a list of Dekafix	D-NS 5,2x6, SLF-P2 W

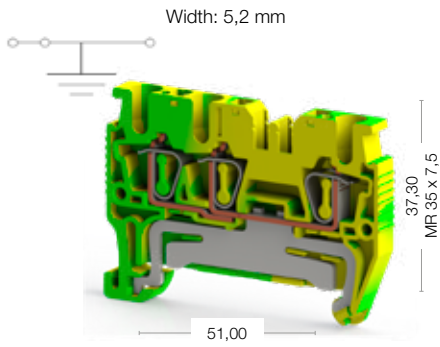
Package Quantity

50

50

Color														
Color code is the last digit of the order number														
<table border="1" style="width: 100%; text-align: center;"> <tr> <td style="background-color: #007bff; color: white;">Blue</td> <td style="background-color: #28a745; color: white;">Green</td> <td style="background-color: #ffc107; color: white;">Yellow</td> <td style="background-color: #dc3545; color: white;">Red</td> <td style="background-color: #343a40; color: white;">Black</td> <td style="background-color: #fff3cd; color: black;">White</td> <td style="background-color: #fd7e14; color: white;">Orange</td> </tr> <tr> <td>1</td> <td>2</td> <td>3</td> <td>4</td> <td>5</td> <td>6</td> <td>7</td> </tr> </table>	Blue	Green	Yellow	Red	Black	White	Orange	1	2	3	4	5	6	7
Blue	Green	Yellow	Red	Black	White	Orange								
1	2	3	4	5	6	7								

SRD 2,5 MET



Cat No:

337 260

Voltage, V ~	Current, A	Cross-Section

0,08 - 4 mm ²
0,14 - 2,5 mm ²
0,5 mm ²
28-12
8-10
KT1 (0,4x2,5)

Type	Order No	Qty.
NPP / SRD 2.5ME	451 399	50

Type	Order No	Qty.

Type	Order No	Qty.
TF Ø2	493 020	5

Type	Order No	Qty.

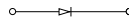
8/3
1/A3
IP20/PE
D-NS 5,2x6, SLF-P2 W

50

SRD 2,5 A

SRD 2,5 AD-A

Width: 5,2 mm

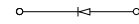


37,30
MP 35 x 7,5

65,40

SRD 2,5 AD-B

Width: 5,2 mm



37,30
MP 35 x 7,5

65,40

Cat No:

311 249
311 240

Cat No:

311 259
311 250



Electrical Ratings
IEC (EN 60947-7-1/EN 60947-7-2)
UL
VDE (IEC 60947-7-1)
CSA
ATEX

Voltage, V ~	Current, A	Cross-Section
500	1	2,5 mm ²
300	1	AWG 28-12
The max. current is determined by the diode. Installed: Diode 1N 4007, reverse voltage: 1300 V, maximum continuous current: 0.5 A.		

Voltage, V ~	Current, A	Cross-Section
500	1	2,5 mm ²
300	1	AWG 28-12
The max. current is determined by the diode. Installed: Diode 1N 4007, reverse voltage: 1300 V, maximum continuous current: 0.5 A.		

Connection Data
Conductor cross section solid (min.-max.)
Conductor cross section stranded (min.-max.)
2 conductors with same cross section, stranded, TWIN ferrules with plastic sleeve
AWG Conductor
Insulation Stripping Length (min.-max.)
Screwdriver


0,08 - 4 mm ²
0,14 - 2,5 mm ²
0,5 mm ²
28-12
8-10
KT1 (0,4x2,5)

0,08 - 4 mm ²
0,14 - 2,5 mm ²
0,5 mm ²
28-12
8-10
KT1 (0,4x2,5)

Technical Data For Diode
Diode Reverse Voltage
Diode Current
Diod

1000V
1 A
1 N 4007

1000V
1 A
1 N 4007

End Plate


Type	Order No	Qty.
NPP/SRD 2,5E	451 159	50

Type	Order No	Qty.
NPP/SRD 2,5E	451 159	50

Partition Plate



Type	Order No	Qty.
APP/SRD 2,5E	464 079	50

Type	Order No	Qty.
APP/SRD 2,5E	464 079	50

Test Plug


Type	Order No	Qty.
TF Ø2	493 020	5

Type	Order No	Qty.
TF Ø2	493 020	5

Cross Connection


Type	Order No	Qty.
CS 2,5/2	470 102	25
CS 2,5/3	470 103	20
CS 2,5/4	470 104	15
CS 2,5/5	470 105	10
CS 2,5/10	470 109	5
CS 2,5/20	470 170	10

Type	Order No	Qty.
CS 2,5/2	470 102	25
CS 2,5/3	470 103	20
CS 2,5/4	470 104	15
CS 2,5/5	470 105	10
CS 2,5/10	470 109	5
CS 2,5/20	470 170	10

Technical Data
Rated Impulse Voltage / Pollution severity
Insulation material group / Gauge pin code according to IEC 60947-1
Protection class / Protection conductor type
Marking Tags (Dekafix)
See pages 326-333 for a list of Dekafix

8/3
1/A3
IP20/NA
D-NS 5,2x6, SLF-P1 W

8/3
1/A3
IP20/NA
D-NS 5,2x6, SLF-P1 W

Package Quantity
50

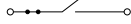
50

50

Color
Color code is the last digit of the order number
Blue
Orange
1
Z

SRD 2,5 A

Width: 5,2 mm



38,90
MF 35 x 7,5

65,40

SRD 2,5 AK

Width: 5,2 mm



37,30
MF 35 x 7,5

65,40

Cat No:

- 311 239
- 311 230

Voltage, V ~	Current, A	Cross-Section
500	20	2,5 mm ²
300	20	AWG 28-12

0,08 - 4 mm ²
0,14 - 2,5 mm ²
0,5 mm ²
28-12
8-10
KT1 (0,4x2,5)

Type	Order No	Qty.
NPP/SRD 2,5E	451 159	50

Type	Order No	Qty.
APP/SRD 2,5E	464 079	50

Type	Order No	Qty.
TF Ø2	493 020	5

Type	Order No	Qty.
CS 2,5/2	470 102	25
CS 2,5/3	470 103	20
CS 2,5/4	470 104	15
CS 2,5/5	470 105	10
CS 2,5/10	470 109	5
CS 2,5/20	470 170	10

8/3
1/A3
IP20/NA
D-NS 5,2x6, SLF-P1 W

50

Cat No:

- 311 269
- 311 260

Voltage, V ~	Current, A	Cross-Section
500	24	2,5 mm ²
300	20	AWG 28-12

0,08 - 4 mm ²
0,14 - 2,5 mm ²
0,5 mm ²
28-12
8-10
KT1 (0,4x2,5)

Type	Order No	Qty.
NPP/SRD 2,5E	451 159	50

Type	Order No	Qty.
APP/SRD 2,5E	464 079	50

Type	Order No	Qty.
TF Ø2	493 020	5

Type	Order No	Qty.
CS 2,5/2	470 102	25
CS 2,5/3	470 103	20
CS 2,5/4	470 104	15
CS 2,5/5	470 105	10
CS 2,5/10	470 109	5
CS 2,5/20	470 170	10

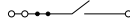
8/3
1/A3
IP20/NA
D-NS 5,2x6, SLF-P1 W

50

SRD 2,5 EA

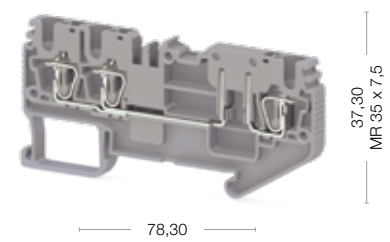
SRD 2,5 EA

Width: 5,2 mm



SRD 2,5 EAK

Width: 5,2 mm







Cat No:

311 279
311 270

Cat No:

311 309
311 300

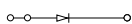


Electrical Ratings	Voltage, V ~	Current, A	Cross-Section	Voltage, V ~	Current, A	Cross-Section
IEC (EN 60947-7-1/EN 60947-7-2)	500	20	2,5 mm ²	500	24	2,5 mm ²
UL	300	20	AWG 28-12	300	20	AWG 28-12
VDE (IEC 60947-7-1)						
CSA						
ATEX						
Connection Data						
Conductor cross section solid (min.-max.)	0,08 - 4 mm ²			0,08 - 4 mm ²		
Conductor cross section stranded (min.-max.)	0,14 - 2,5 mm ²			0,14 - 2,5 mm ²		
2 conductors with same cross section, stranded, TWIN ferrules with plastic sleeve	0,5 mm ²			0,5 mm ²		
AWG Conductor	28-12			28-12		
Insulation Stripping Length (min.-max.)	8-10			8-10		
Screwdriver	KT1 (0,4x2,5)			KT1 (0,4x2,5)		
Technical Data For Diode						
Diode Reverse Voltage						
Diode Current						
Diode						
End Plate						
	Type	Order No	Qty.	Type	Order No	Qty.
	NPP/SRD 2,5C	451 189	50	NPP/SRD 2,5C	451 189	50
Partition Plate						
	Type	Order No	Qty.	Type	Order No	Qty.
	APP/SRD 2,5C	464 119	50	APP/SRD 2,5C	464 119	50
Test Plug						
	Type	Order No	Qty.	Type	Order No	Qty.
	TF Ø2	493 020	5	TF Ø2	493 020	5
Cross Connection						
	Type	Order No	Qty.	Type	Order No	Qty.
	CS 2,5/2	470 102	25	CS 2,5/2	470 102	25
	CS 2,5/3	470 103	20	CS 2,5/3	470 103	20
	CS 2,5/4	470 104	15	CS 2,5/4	470 104	15
	CS 2,5/5	470 105	10	CS 2,5/5	470 105	10
	CS 2,5/10	470 109	5	CS 2,5/10	470 109	5
	CS 2,5/20	470 170	10	CS 2,5/20	470 170	10
Technical Data						
Rated Impulse Voltage / Pollution severity	8/3			8/3		
Insulation material group / Gauge pin code according to IEC 60947-1	1/A3			1/A3		
Protection class / Protection conductor type	IP20/NA			IP20/NA		
Marking Tags (Dekafix)						
See pages 326-333 for a list of Dekafix	D-NS 5,2x6, SLF-P1 W			D-NS 5,2x6, SLF-P1 W		
Package Quantity						
	50			50		

Color	
Color code is the last digit of the order number	
Blue	Orange
1	Z

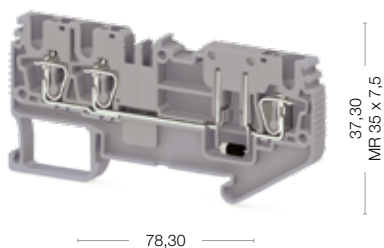
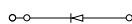
SRD 2,5 EAD-A

Width: 5,2 mm



SRD 2,5 EAD-B

Width: 5,2 mm



Cat No:

- 311 289
- 311 280

Voltage, V ~	Current, A	Cross-Section
500	1	2,5 mm ²
300	1	AWG 28-12
The max. current is determined by the diode. Installed: Diode 1N 4007, reverse voltage: 1300 V, maximum continuous current: 0.5 A.		

0,08 - 4 mm ²
0,14 - 2,5 mm ²
0,5 mm ²
28-12
8-10
KT1 (0,4x2,5)

1000V
1 A
1 N 4007

Type	Order No	Qty.
NPP/SRD 2,5C	451 189	50

Type	Order No	Qty.
APP/SRD 2,5C	464 119	50

Type	Order No	Qty.
TF Ø2	493 020	5

Type	Order No	Qty.
CS 2,5/2	470 102	25
CS 2,5/3	470 103	20
CS 2,5/4	470 104	15
CS 2,5/5	470 105	10
CS 2,5/10	470 109	5
CS 2,5/20	470 170	10

8/3
1/A3
IP20/NA
D-NS 5,2x6, SLF-P1 W

50

Cat No:

- 311 299
- 311 290

Voltage, V ~	Current, A	Cross-Section
500	1	2,5 mm ²
300	1	AWG 28-12
The max. current is determined by the diode. Installed: Diode 1N 4007, reverse voltage: 1300 V, maximum continuous current: 0.5 A.		

0,08 - 4 mm ²
0,14 - 2,5 mm ²
0,5 mm ²
28-12
8-10
KT1 (0,4x2,5)

1000V
1 A
1 N 4007

Type	Order No	Qty.
NPP/SRD 2,5C	451 189	50

Type	Order No	Qty.
APP/SRD 2,5C	464 119	50

Type	Order No	Qty.
TF Ø2	493 020	5

CS 2,5/2	470 102	25
CS 2,5/3	470 103	20
CS 2,5/4	470 104	15
CS 2,5/5	470 105	10
CS 2,5/10	470 109	5
CS 2,5/20	470 170	10

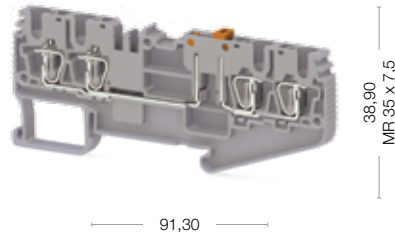
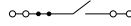
8/3
1/A3
IP20/NA
D-NS 5,2x6, SLF-P1 W

50

SRD 2,5 CA

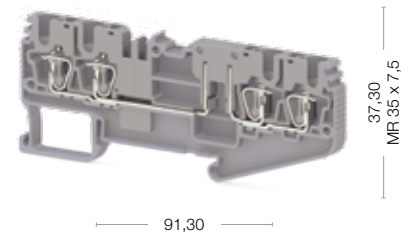
SRD 2,5 CA

Width: 5,2 mm



SRD 2,5 CAK

Width: 5,2 mm



Cat No:

311 319
311 310

Cat No:

311 349
311 340



Electrical Ratings
IEC (EN 60947-7-1/EN 60947-7-2)
UL
VDE (IEC 60947-7-1)
CSA
ATEX

Voltage, V ~	Current, A	Cross-Section
500	20	2,5 mm ²
300	20	AWG 28-12

Voltage, V ~	Current, A	Cross-Section
500	24	2,5 mm ²
300	20	AWG 28-12

Connection Data	
Conductor cross section solid (min.-max.)	0,08 - 4 mm ²
Conductor cross section stranded (min.-max.)	0,14 - 2,5 mm ²
2 conductors with same cross section, stranded, TWIN ferrules with plastic sleeve	0,5 mm ²
AWG Conductor	28-12
Insulation Stripping Length (min.-max.)	8-10
Screwdriver	KT1 (0,4x2,5)

Conductor cross section solid (min.-max.)	0,08 - 4 mm ²
Conductor cross section stranded (min.-max.)	0,14 - 2,5 mm ²
2 conductors with same cross section, stranded, TWIN ferrules with plastic sleeve	0,5 mm ²
AWG Conductor	28-12
Insulation Stripping Length (min.-max.)	8-10
Screwdriver	KT1 (0,4x2,5)

Conductor cross section solid (min.-max.)	0,08 - 4 mm ²
Conductor cross section stranded (min.-max.)	0,14 - 2,5 mm ²
2 conductors with same cross section, stranded, TWIN ferrules with plastic sleeve	0,5 mm ²
AWG Conductor	28-12
Insulation Stripping Length (min.-max.)	8-10
Screwdriver	KT1 (0,4x2,5)

Technical Data For Diode
Diode Reverse Voltage
Diode Current
Diod

Diode Reverse Voltage
Diode Current
Diod

Diode Reverse Voltage
Diode Current
Diod

End Plate


Type	Order No	Qty.
NPP/SRD 2,5CA	451 169	50

Type	Order No	Qty.
NPP/SRD 2,5CA	451 169	50

Partition Plate



Type	Order No	Qty.
APP/SRD 2,5CA	464 089	50

Type	Order No	Qty.
APP/SRD 2,5CA	464 089	50

Test Plug


Type	Order No	Qty.
TF Ø2	493 020	5

Type	Order No	Qty.
TF Ø2	493 020	5

Cross Connection


Type	Order No	Qty.
CS 2,5/2	470 102	25
CS 2,5/3	470 103	20
CS 2,5/4	470 104	15
CS 2,5/5	470 105	10
CS 2,5/10	470 109	5
CS 2,5/20	470 170	10

Type	Order No	Qty.
CS 2,5/2	470 102	25
CS 2,5/3	470 103	20
CS 2,5/4	470 104	15
CS 2,5/5	470 105	10
CS 2,5/10	470 109	5
CS 2,5/20	470 170	10

Technical Data	
Rated Impulse Voltage / Pollution severity	8/3
Insulation material group / Gauge pin code according to IEC 60947-1	1/A3
Protection class / Protection conductor type	IP20/NA

Rated Impulse Voltage / Pollution severity	8/3
Insulation material group / Gauge pin code according to IEC 60947-1	1/A3
Protection class / Protection conductor type	IP20/NA

Rated Impulse Voltage / Pollution severity	8/3
Insulation material group / Gauge pin code according to IEC 60947-1	1/A3
Protection class / Protection conductor type	IP20/NA

Marking Tags (Dekafix)
See pages 326-333 for a list of Dekafix

Marking Tags (Dekafix)	D-NS 5,2x6, SLF-P1 W
------------------------	----------------------

Marking Tags (Dekafix)	D-NS 5,2x6, SLF-P1 W
------------------------	----------------------

Package Quantity
50

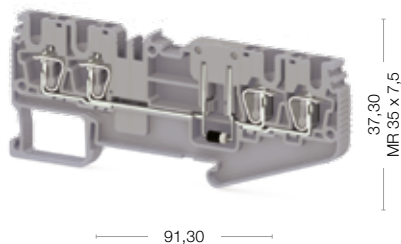
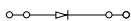
Package Quantity	50
------------------	----

Package Quantity	50
------------------	----

Color	
Color code is the last digit of the order number	
Blue	Orange
1	2

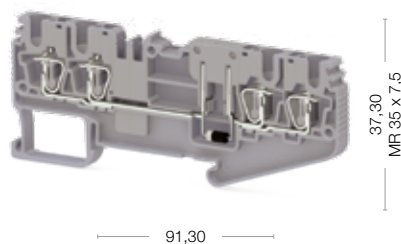
SRD 2,5 CAD-A

Width: 5,2 mm



SRD 2,5 CAD-B

Width: 5,2 mm



Cat No:

- 311 329
- 311 320

Voltage, V ~	Current, A	Cross-Section
500	1	2,5 mm ²
300	1	AWG 28-12
The max. current is determined by the diode. Installed: Diode 1N 4007, reverse voltage: 1300 V, maximum continuous current: 0.5 A.		

0,08 - 4 mm ²
0,14 - 2,5 mm ²
0,5 mm ²
28-12
8-10
KT1 (0,4x2,5)

1000V
1 A
1 N 4007

Type	Order No	Qty.
NPP/SRD 2,5CA	451 169	50

Type	Order No	Qty.
APP/SRD 2,5CA	464 089	50

Type	Order No	Qty.
TF Ø2	493 020	5

Type	Order No	Qty.
CS 2,5/2	470 102	25
CS 2,5/3	470 103	20
CS 2,5/4	470 104	15
CS 2,5/5	470 105	10
CS 2,5/10	470 109	5
CS 2,5/20	470 170	10

8/3
1/A3
IP20/NA
D-NS 5,2x6, SLF-P1 W

50

Cat No:

- 311 339
- 311 330

Voltage, V ~	Current, A	Cross-Section
500	1	2,5 mm ²
300	1	AWG 28-12
The max. current is determined by the diode. Installed: Diode 1N 4007, reverse voltage: 1300 V, maximum continuous current: 0.5 A.		

0,08 - 4 mm ²
0,14 - 2,5 mm ²
0,5 mm ²
28-12
8-10
KT1 (0,4x2,5)

1000V
1 A
1 N 4007

Type	Order No	Qty.
NPP/SRD 2,5CA	451 169	50

Type	Order No	Qty.
APP/SRD 2,5CA	464 089	50

Type	Order No	Qty.
TF Ø2	493 020	5

CS 2,5/2	470 102	25
CS 2,5/3	470 103	20
CS 2,5/4	470 104	15
CS 2,5/5	470 105	10
CS 2,5/10	470 109	5
CS 2,5/20	470 170	10

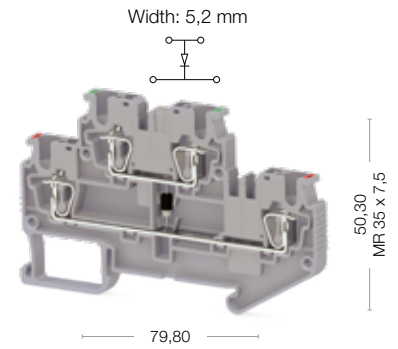
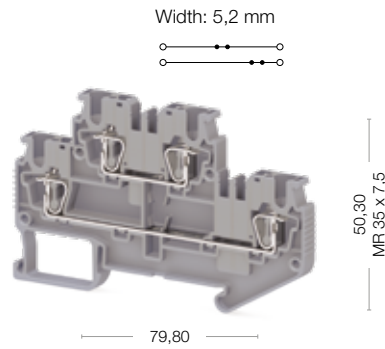
8/3
1/A3
IP20/NA
D-NS 5,2x6, SLF-P1 W

50

SRD 2,5-2F

SRD 2,5-2F

SRD 2,5-2FD-A



Cat No:

- 311 359
- 311 351
- 311 350

Cat No:

- 311 369
- 311 360



Electrical Ratings
IEC (EN 60947-7-1/EN 60947-7-2)
UL
VDE (IEC 60947-7-1)
CSA
ATEX

Voltage, V ~	Current, A	Cross-Section
500	24	2,5 mm ²
300	20	AWG 28-12

Voltage, V ~	Current, A	Cross-Section
500	1	2,5 mm ²
300	1	AWG 28-12
The max. current is determined by the diode. Installed: Diode 1N 4007, reverse voltage: 1300 V, maximum continuous current: 0.5 A.		

Connection Data
Conductor cross section solid (min.-max.)
Conductor cross section stranded (min.-max.)
2 conductors with same cross section, stranded, TWIN ferrules with plastic sleeve
AWG Conductor
Insulation Stripping Length (min.-max.)
Screwdriver

0,08 - 4 mm ²
0,14 - 2,5 mm ²
0,5 mm ²
28-12
8-10
KT1 (0,4x2,5)

0,08 - 4 mm ²
0,14 - 2,5 mm ²
0,5 mm ²
28-12
8-10
KT1 (0,4x2,5)

Technical Data For Diode
Diode Reverse Voltage
Diode Current
Diod

1000V
1 A
1 N 4007

End Plate


Type	Order No	Qty.
NPP/SRD 2,5_2F	451 079	50

Type	Order No	Qty.
NPP/SRD 2,5_2F	451 079	50

Partition Plate



Type	Order No	Qty.
APP/SRD 2,5_2F	464 069	50

Type	Order No	Qty.
APP/SRD 2,5_2F	464 069	50

Test Plug


Type	Order No	Qty.
TF Ø2	493 020	5

Type	Order No	Qty.
TF Ø2	493 020	5

Cross Connection


Type	Order No	Qty.
CS 2,5/2	470 102	25
CS 2,5/3	470 103	20
CS 2,5/4	470 104	15
CS 2,5/5	470 105	10
CS 2,5/10	470 109	5
CS 2,5/20	470 170	10

Type	Order No	Qty.
CS 2,5/2	470 102	25
CS 2,5/3	470 103	20
CS 2,5/4	470 104	15
CS 2,5/5	470 105	10
CS 2,5/10	470 109	5
CS 2,5/20	470 170	10

Technical Data
Rated Impulse Voltage / Pollution severity
Insulation material group / Gauge pin code according to IEC 60947-1
Protection class / Protection conductor type

8/3
1/A3
IP20/NA

8/3
1/A3
IP20/NA

Marking Tags (Dekafix)
See pages 326-333 for a list of Dekafix

D-NS 5,2x6, SLF-P2 W

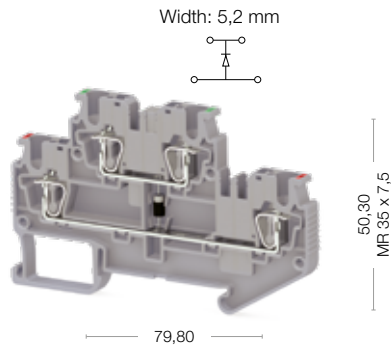
D-NS 5,2x6, SLF-P2 W

Package Quantity

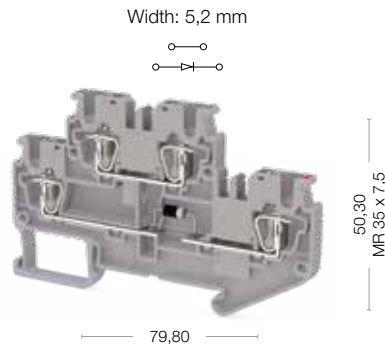
50

50

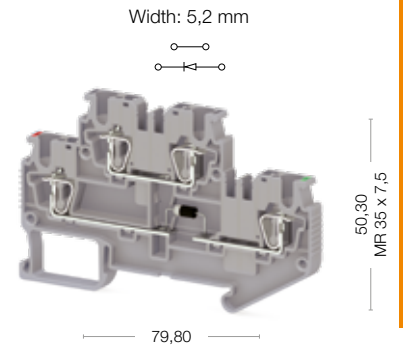
SRD 2,5-2FD-B



SRD 2,5-2FD-L



SRD 2,5-2FD-R



Cat No:

- 311 379
- 311 370

Voltage, V ~	Current, A	Cross-Section
500	1	2,5 mm ²
300	1	AWG 28-12
The max. current is determined by the diode. Installed: Diode 1N 4007, reverse voltage: 1300 V, maximum continuous current: 0.5 A.		

0,08 - 4 mm ²
0,14 - 2,5 mm ²
0,5 mm ²
28-12
8-10
KT1 (0,4x2,5)

1000V
1 A
1 N 4007

Type	Order No	Qty.
NPP/SRD 2,5_2F	451 079	50

Type	Order No	Qty.
APP/SRD 2,5_2F	464 069	50

Type	Order No	Qty.
TF Ø2	493 020	5

Type	Order No	Qty.
CS 2,5/2	470 102	25
CS 2,5/3	470 103	20
CS 2,5/4	470 104	15
CS 2,5/5	470 105	10
CS 2,5/10	470 109	5
CS 2,5/20	470 170	10

8/3
1/A3
IP20/NA
D-NS 5,2x6, SLF-P2 W
50

Cat No:

- 311 499
- 311 490

Voltage, V ~	Current, A	Cross-Section
500	24/1	2,5 mm ²
300	1	AWG 28-12
The max. current is determined by the diode. Installed: Diode 1N 4007, reverse voltage: 1300 V, maximum continuous current: 0.5 A.		

0,08 - 4 mm ²
0,14 - 2,5 mm ²
0,5 mm ²
28-12
8-10
KT1 (0,4x2,5)

1000V
1 A
1 N 4007

Type	Order No	Qty.
NPP/SRD 2,5_2F	451 079	50

Type	Order No	Qty.
APP/SRD 2,5_2F	464 069	50

Type	Order No	Qty.
TF Ø2	493 020	5

Type	Order No	Qty.
CS 2,5/2	470 102	25
CS 2,5/3	470 103	20
CS 2,5/4	470 104	15
CS 2,5/5	470 105	10
CS 2,5/10	470 109	5
CS 2,5/20	470 170	10

8/3
1/A3
IP20/NA
D-NS 5,2x6, SLF-P2 W
50

Cat No:

- 311 389
- 311 380

Voltage, V ~	Current, A	Cross-Section
500	24/1	2,5 mm ²
300	1	AWG 28-12
The max. current is determined by the diode. Installed: Diode 1N 4007, reverse voltage: 1300 V, maximum continuous current: 0.5 A.		

0,08 - 4 mm ²
0,14 - 2,5 mm ²
0,5 mm ²
28-12
8-10
KT1 (0,4x2,5)

1000V
1 A
1 N 4007

Type	Order No	Qty.
NPP/SRD 2,5_2F	451 079	50

Type	Order No	Qty.
APP/SRD 2,5_2F	464 069	50

Type	Order No	Qty.
TF Ø2	493 020	5

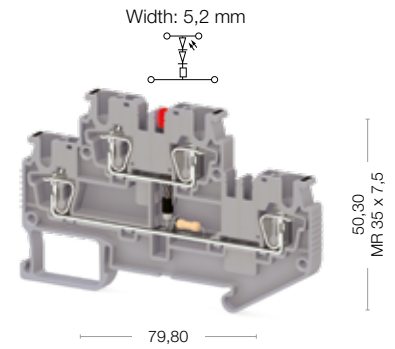
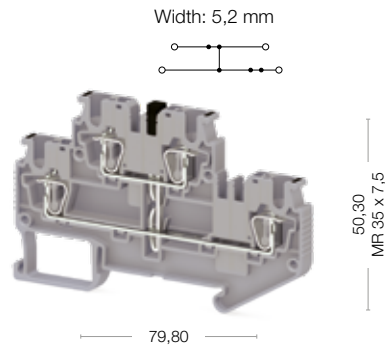
Type	Order No	Qty.
CS 2,5/2	470 102	25
CS 2,5/3	470 103	20
CS 2,5/4	470 104	15
CS 2,5/5	470 105	10
CS 2,5/10	470 109	5
CS 2,5/20	470 170	10

8/3
1/A3
IP20/NA
D-NS 5,2x6, SLF-P2 W
50

SRD 2,5-2F

SRD 2,5-2FK

SRD 2,5-2FLD-24VAC



Cat No:

- 311 519
- 311 510

Cat No:

- 311 409
- 311 400



Electrical Ratings
IEC (EN 60947-7-1/EN 60947-7-2)
UL
VDE (IEC 60947-7-1)
CSA
ATEX

Voltage, V ~	Current, A	Cross-Section
500	24	2,5 mm ²
300	20	AWG 28-12

Voltage, V ~	Current, A	Cross-Section
24	24	2,5 mm ²
24V (AC)	20	AWG 28-12

Connection Data
Conductor cross section solid (min.-max.)
Conductor cross section stranded (min.-max.)
2 conductors with same cross section, stranded, TWIN ferrules with plastic sleeve
AWG Conductor
Insulation Stripping Length (min.-max.)
Screwdriver

0,08 - 4 mm ²
0,14 - 2,5 mm ²
0,5 mm ²
28-12
8-10
KT1 (0,4x2,5)

0,08 - 4 mm ²
0,14 - 2,5 mm ²
0,5 mm ²
28-12
8-10
KT1 (0,4x2,5)

Technical Data For Diode
Diode Reverse Voltage
Diode Current
Diod

End Plate


Type	Order No	Qty.
NPP/SRD 2,5_2F	451 079	50

Type	Order No	Qty.
NPP/SRD 2,5_2F	451 079	50

Partition Plate



Type	Order No	Qty.
APP/SRD 2,5_2F	464 069	50

Type	Order No	Qty.
APP/SRD 2,5_2F	464 069	50

Test Plug


Type	Order No	Qty.
TF Ø2	493 020	5

Type	Order No	Qty.
TF Ø2	493 020	5

Cross Connection


Type	Order No	Qty.
CS 2,5/2	470 102	25
CS 2,5/3	470 103	20
CS 2,5/4	470 104	15
CS 2,5/5	470 105	10
CS 2,5/10	470 109	5
CS 2,5/20	470 170	10

Type	Order No	Qty.
CS 2,5/2	470 102	25
CS 2,5/3	470 103	20
CS 2,5/4	470 104	15
CS 2,5/5	470 105	10
CS 2,5/10	470 109	5
CS 2,5/20	470 170	10

Technical Data
Rated Impulse Voltage / Pollution severity
Insulation material group / Gauge pin code according to IEC 60947-1
Protection class / Protection conductor type

8/3
1/A3
IP20/NA

8/3
1/A3
IP20/NA

Marking Tags (Dekafix)
See pages 326-333 for a list of Dekafix

D-NS 5,2x6, SLF-P2 W

D-NS 5,2x6, SLF-P2 W

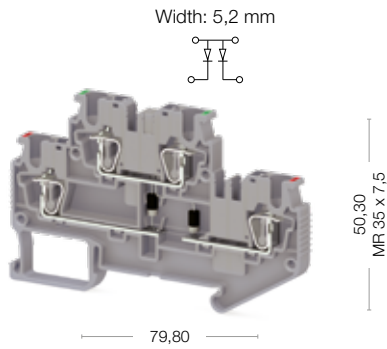
Package Quantity

50

50

SRD 2,5-2FLD-..... Ordering Data											
24VDC	Gray	311 399	48VAC	Gray	311 429	48VDC	Gray	311 419	110VAC	Gray	311 449
	Beige	311 390		Beige	311 420		Beige	311 410		Beige	311 440

SRD 2,5-F2D-A



Cat No:

- 311 479
- 311 470

Voltage, V ~	Current, A	Cross-Section
500	1	2,5 mm ²
300	1	AWG 28-12
The max. current is determined by the diode. Installed: Diode 1N 4007, reverse voltage: 1300 V, maximum continuous current: 0.5 A.		

0,08 - 4 mm ²
0,14 - 2,5 mm ²
0,5 mm ²
28-12
8-10
KT1 (0,4x2,5)

1000V
1 A
1 N 4007

Type	Order No	Qty.
NPP/SRD 2,5_2F	451 079	50

Type	Order No	Qty.
APP/SRD 2,5_2F	464 069	50

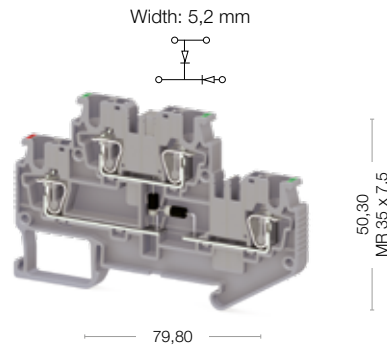
Type	Order No	Qty.
TF Ø2	493 020	5

Type	Order No	Qty.
CS 2,5/2	470 102	25
CS 2,5/3	470 103	20
CS 2,5/4	470 104	15
CS 2,5/5	470 105	10
CS 2,5/10	470 109	5
CS 2,5/20	470 170	10

8/3
1/A3
IP20/NA
D-NS 5,2x6, SLF-P2 W

50

SRD 2,5-F2D-B



Cat No:

- 311 489
- 311 480

Voltage, V ~	Current, A	Cross-Section
500	1	2,5 mm ²
300	1	AWG 28-12
The max. current is determined by the diode. Installed: Diode 1N 4007, reverse voltage: 1300 V, maximum continuous current: 0.5 A.		

0,08 - 4 mm ²
0,14 - 2,5 mm ²
0,5 mm ²
28-12
8-10
KT1 (0,4x2,5)

1000V
1 A
1 N 4007

Type	Order No	Qty.
NPP/SRD 2,5_2F	451 079	50

Type	Order No	Qty.
APP/SRD 2,5_2F	464 069	50

Type	Order No	Qty.
TF Ø2	493 020	5

Type	Order No	Qty.
CS 2,5/2	470 102	25
CS 2,5/3	470 103	20
CS 2,5/4	470 104	15
CS 2,5/5	470 105	10
CS 2,5/10	470 109	5
CS 2,5/20	470 170	10

8/3
1/A3
IP20/NA
D-NS 5,2x6, SLF-P2 W

50

SRD 2,5-F2D-C



Cat No:

- 312 249
- 312 240

Voltage, V ~	Current, A	Cross-Section
300	1	AWG 28-12
The max. current is determined by the diode. Installed: Diode 1N 4007, reverse voltage: 1300 V, maximum continuous current: 0.5 A.		

0,08 - 4 mm ²
0,14 - 2,5 mm ²
0,5 mm ²
28-12
8-10
KT1 (0,4x2,5)

1000V
1 A
1 N 4007

Type	Order No	Qty.
NPP/SRD 2,5_2F	451 079	50

Type	Order No	Qty.
APP/SRD 2,5_2F	464 069	50

Type	Order No	Qty.
TF Ø2	493 020	5

Type	Order No	Qty.
CS 2,5/2	470 102	25
CS 2,5/3	470 103	20
CS 2,5/4	470 104	15
CS 2,5/5	470 105	10
CS 2,5/10	470 109	5
CS 2,5/20	470 170	10

8/3
1/A3
IP20/NA
D-NS 5,2x6, SLF-P2 W

50

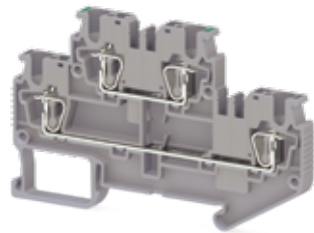
SRD 2,5-2FLD-..... Ordering Data

110VDC	Gray	311 439	220VAC	Gray	311 469	220VDC	Gray	311 459
	Beige	311 430		Beige	311 460		Beige	311 450

SRD 2,5-2F SRD 2,5-FT

SRD 2,5-FN

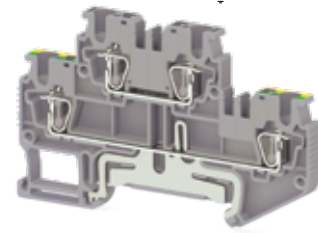
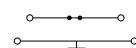
Width: 5,2 mm



79,80

SRD 2,5-FT

Width: 5,2 mm



79,80

Cat No:

- 311 509
- 311 500

Cat No:

- 311 529
- 311 520



Electrical Ratings
IEC (EN 60947-7-1/EN 60947-7-2)
UL
VDE (IEC 60947-7-1)
CSA
ATEX

Voltage, V ~	Current, A	Cross-Section
500	24	2,5 mm ²
300	20	AWG 28-12

Voltage, V ~	Current, A	Cross-Section
500	24	2,5 mm ²
300	20	AWG 28-12

Connection Data
Conductor cross section solid (min.-max.)
Conductor cross section stranded (min.-max.)
2 conductors with same cross section, stranded, TWIN ferrules with plastic sleeve
AWG Conductor
Insulation Stripping Length (min.-max.)
Screwdriver

0,08 - 4 mm ²
0,14 - 2,5 mm ²
0,5 mm ²
28-12
8-10
KT1 (0,4x2,5)

0,08 - 4 mm ²
0,14 - 2,5 mm ²
0,5 mm ²
28-12
8-10
KT1 (0,4x2,5)

Technical Data For Diode
Diode Reverse Voltage
Diode Current
Diod

End Plate

Type	Order No	Qty.
NPP/SRD 2,5_2F	451 079	50

Type	Order No	Qty.
NPP/SRD 2,5_2F	451 079	50

Partition Plate

Type	Order No	Qty.
APP/SRD 2,5_2F	464 069	50

Type	Order No	Qty.
APP/SRD 2,5_2F	464 069	50

Test Plug

Type	Order No	Qty.
TF Ø2	493 020	5

Type	Order No	Qty.
TF Ø2	493 020	5

Cross Connection

Type	Order No	Qty.
CS 2,5/2	470 102	25
CS 2,5/3	470 103	20
CS 2,5/4	470 104	15
CS 2,5/5	470 105	10
CS 2,5/10	470 109	5
CS 2,5/20	470 170	10

Type	Order No	Qty.
CS 2,5/2	470 102	25
CS 2,5/3	470 103	20
CS 2,5/4	470 104	15
CS 2,5/5	470 105	10
CS 2,5/10	470 109	5
CS 2,5/20	470 170	10

Technical Data
Rated Impulse Voltage / Pollution severity
Insulation material group / Gauge pin code according to IEC 60947-1
Protection class / Protection conductor type

8/3
1/A3
IP20/NA

8/3
1/A3
IP20/NA/PE

Marking Tags (Dekafix)
See pages 326-333 for a list of Dekafix

D-NS 5,2x6, SLF-P2 W

D-NS 5,2x6, SLF-P2 W

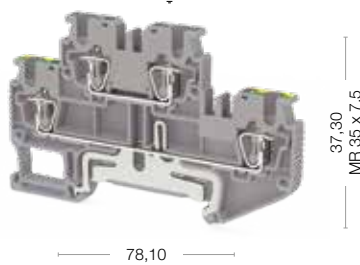
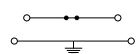
Package Quantity

50

50

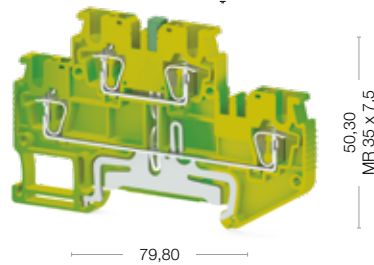
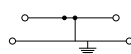
SRD 2,5-NT

Width: 5,2 mm



SRD 2,5-2T

Width: 5,2 mm



Cat No:

- 311 539
- 311 530

Voltage, V ~	Current, A	Cross-Section
500	24	2,5 mm ²
300	20	AWG 28-12

0,08 - 4 mm ²
0,14 - 2,5 mm ²
0,5 mm ²
28-12
8-10
KT1 (0,4x2,5)

Type	Order No	Qty.
	451 079	50

Type	Order No	Qty.
	464 069	50

Type	Order No	Qty.
TF Ø2	493 020	5

Type	Order No	Qty.
CS 2,5/2	470 102	25
CS 2,5/3	470 103	20
CS 2,5/4	470 104	15
CS 2,5/5	470 105	10
CS 2,5/10	470 109	5
CS 2,5/20	470 170	10

8/3
1/A3
IP20/NA/PE
D-NS 5,2x6, SLF-P2 W

50

Cat No:

- 337 150

Voltage, V ~	Current, A	Cross-Section
		2,5 mm ²
		AWG 28-12

0,08 - 4 mm ²
0,14 - 2,5 mm ²
0,5 mm ²
28-12
8-10
KT1 (0,4x2,5)

Type	Order No	Qty.
NPP/SRD 2,5-2F	451 072T	50

Type	Order No	Qty.
	464 069	50

Type	Order No	Qty.
TF Ø2	493 020	5

Type	Order No	Qty.
CS 2,5/2	470 102	25
CS 2,5/3	470 103	20
CS 2,5/4	470 104	15
CS 2,5/5	470 105	10
CS 2,5/10	470 109	5
CS 2,5/20	470 170	10

8/3
1/A3
IP20/PE
D-NS 5,2x6, SLF-P2 W

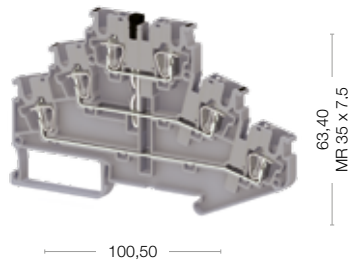
50

SRD 2,5-3F

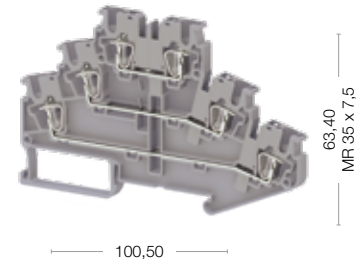
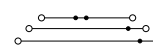
SRD 2,5-2KF

SRD 2,5-3F

Width: 5,2 mm



Width: 5,2 mm



Cat No:

311 569
311 560

Cat No:

311 549 311 541
311 540



Electrical Ratings
IEC (EN 60947-7-1/EN 60947-7-2)
UL
VDE (IEC 60947-7-1)
CSA
ATEX

Voltage, V ~	Current, A	Cross-Section
500	24	2,5 mm ²
300	20	AWG 28-12

Voltage, V ~	Current, A	Cross-Section
500	24	2,5 mm ²
300	20	AWG 28-12

Connection Data
Conductor cross section solid (min.-max.)
Conductor cross section stranded (min.-max.)
2 conductors with same cross section, stranded, TWIN ferrules with plastic sleeve
AWG Conductor
Insulation Stripping Length (min.-max.)
Screwdriver

0,08 - 4 mm ²
0,14 - 2,5 mm ²
0,5 mm ²
28-12
8-10
KT1 (0,4x2,5)

0,08 - 4 mm ²
0,14 - 2,5 mm ²
0,5 mm ²
28-12
8-10
KT1 (0,4x2,5)

Technical Data For Diode
Diode Reverse Voltage
Diode Current
Diod

End Plate

Type	Order No	Qty.
NPP/SRD 2.5_3F	451 109	50

Type	Order No	Qty.
NPP/SRD 2.5_3F	451 109	50

Partition Plate

Type	Order No	Qty.

Type	Order No	Qty.

Test Plug

Type	Order No	Qty.
TF Ø2	493 020	5

Type	Order No	Qty.
TF Ø2	493 020	5

Cross Connection

Type	Order No	Qty.
CS 2,5/2	470 102	25
CS 2,5/3	470 103	20
CS 2,5/4	470 104	15
CS 2,5/5	470 105	10
CS 2,5/10	470 109	5
CS 2,5/20	470 170	10

Type	Order No	Qty.
CS 2,5/2	470 102	25
CS 2,5/3	470 103	20
CS 2,5/4	470 104	15
CS 2,5/5	470 105	10
CS 2,5/10	470 109	5
CS 2,5/20	470 170	10

Technical Data
Rated Impulse Voltage / Pollution severity
Insulation material group / Gauge pin code according to IEC 60947-1
Protection class / Protection conductor type

8/3
1/A3
IP20/NA

8/3
1/A3
IP20/NA

Marking Tags (Dekafix)
See pages 326-333 for a list of Dekafix

D-NS 5,2x6, SLF-P2 W

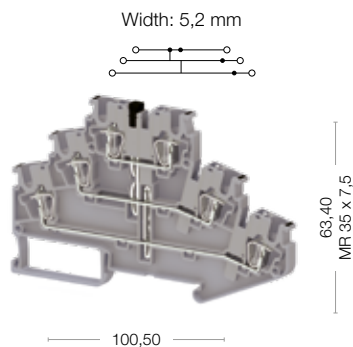
D-NS 5,2x6, SLF-P2 W

Package Quantity

50

50

SRD 2,5-3FK



Cat No:

- 311 559
- 311 550

Voltage, V ~	Current, A	Cross-Section
500	24	2,5 mm ²
300	20	AWG 28-12

0,08 - 4 mm ²
0,14 - 2,5 mm ²
0,5 mm ²
28-12
8-10
KT1 (0,4x2,5)

Type	Order No	Qty.
NPP/SRD 2,5_3F	451 109	50

Type	Order No	Qty.

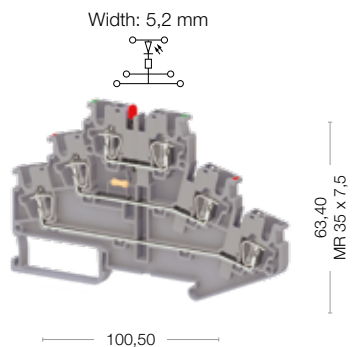
Type	Order No	Qty.
TF Ø2	493 020	5

Type	Order No	Qty.
CS 2,5/2	470 102	25
CS 2,5/3	470 103	20
CS 2,5/4	470 104	15
CS 2,5/5	470 105	10
CS 2,5/10	470 109	5
CS 2,5/20	470 170	10

8/3
1/A3
IP20/NA
D-NS 5,2x6, SLF-P2 W

50

SRD 2,5-3FLD-24VDC



Cat No:

- 311 579
- 311 570

Voltage, V ~	Current, A	Cross-Section
24	24	2,5 mm ²
24V (DC)	20A	AWG 28-12

0,08 - 4 mm ²
0,14 - 2,5 mm ²
0,5 mm ²
28-12
8-10
KT1 (0,4x2,5)

Type	Order No	Qty.
NPP/SRD 2,5_3F	451 109	50

Type	Order No	Qty.

Type	Order No	Qty.
TF Ø2	493 020	5

Type	Order No	Qty.
CS 2,5/2	470 102	25
CS 2,5/3	470 103	20
CS 2,5/4	470 104	15
CS 2,5/5	470 105	10
CS 2,5/10	470 109	5
CS 2,5/20	470 170	10

8/3
1/A3
IP20/NA
D-NS 5,2x6, SLF-P2 W

50

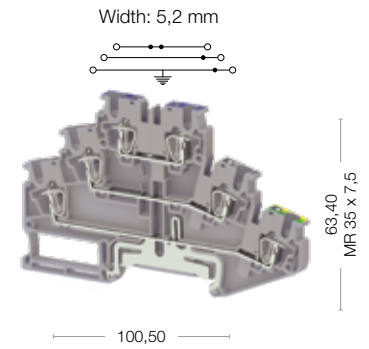
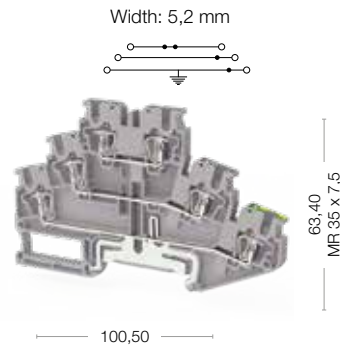
SRD 2,5 CLD-..... Ordering Data

48VDC	Gray	311 589
	Beige	311 580
110VDC	Gray	311 599
	Beige	311 590
200VDC	Gray	311 609
	Beige	311 600

SRD 2,5-2FT

SRD 2,5-2FT

SRD 2,5-NFT



Cat No:

- 311 619
- 311 610

Cat No:

- 311 669
- 311 660



Electrical Ratings
IEC (EN 60947-7-1/EN 60947-7-2)
UL
VDE (IEC 60947-7-1)
CSA
ATEX

Voltage, V ~	Current, A	Cross-Section
500	24	2,5 mm ²
300	20	AWG 28-12

Voltage, V ~	Current, A	Cross-Section
500	24	2,5 mm ²
300	20	AWG 28-12

Connection Data
Conductor cross section solid (min.-max.)
Conductor cross section stranded (min.-max.)
2 conductors with same cross section, stranded, TWIN ferrules with plastic sleeve
AWG Conductor
Insulation Stripping Length (min.-max.)
Screwdriver

0,08 - 4 mm ²
0,14 - 2,5 mm ²
0,5 mm ²
28-12
8-10
KT1 (0,4x2,5)

0,08 - 4 mm ²
0,14 - 2,5 mm ²
0,5 mm ²
28-12
8-10
KT1 (0,4x2,5)

Technical Data For Diode
Diode Reverse Voltage
Diode Current
Diod

End Plate


Type	Order No	Qty.
NPP/SRD 2,5_3F	451 109	50

Type	Order No	Qty.
NPP/SRD 2,5_3F	451 109	50

Partition Plate



Type	Order No	Qty.

Type	Order No	Qty.

Test Plug


Type	Order No	Qty.
TF Ø2	493 020	5

Type	Order No	Qty.
TF Ø2	493 020	5

Cross Connection


Type	Order No	Qty.
CS 2,5/2	470 102	25
CS 2,5/3	470 103	20
CS 2,5/4	470 104	15
CS 2,5/5	470 105	10
CS 2,5/10	470 109	5
CS 2,5/20	470 170	10

Type	Order No	Qty.
CS 2,5/2	470 102	25
CS 2,5/3	470 103	20
CS 2,5/4	470 104	15
CS 2,5/5	470 105	10
CS 2,5/10	470 109	5
CS 2,5/20	470 170	10

Technical Data
Rated Impulse Voltage / Pollution severity
Insulation material group / Gauge pin code according to IEC 60947-1
Protection class / Protection conductor type

8/3
1/A3
IP20/NA/PE

8/3
1/A3
IP20/NA/PE

Marking Tags (Dekafix)
See pages 326-333 for a list of Dekafix

D-NS 5,2x6, SLF-P2 W

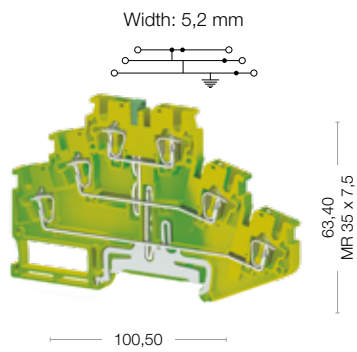
D-NS 5,2x6, SLF-P2 W

Package Quantity

50

50

SRD 2,5-3T



Cat No:

 337 160

Voltage, V ~	Current, A	Cross-Section
		2,5 mm ²
		AWG 28-12

0,08 - 4 mm ²
0,14 - 2,5 mm ²
0,5 mm ²
28-12
8-10
KT1 (0,4x2,5)

Type	Order No	Qty.
NPP/SRD 2,5_3F	451 102T	50

Type	Order No	Qty.

Type	Order No	Qty.
TF Ø2	493 020	5

Type	Order No	Qty.

8/3
1/A3
IP20/PE
D-NS 5,2x6, SLF-P2 W

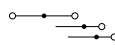
50

SRD 2,5-3S

SRD 2,5-3S

SRD 2,5-3SLD-NPN

Width: 5,2 mm



74,30

49,00
MP 35 x 7,5

Width: 5,2 mm



74,30

49,00
MP 35 x 7,5




Cat No:

311 629
311 620

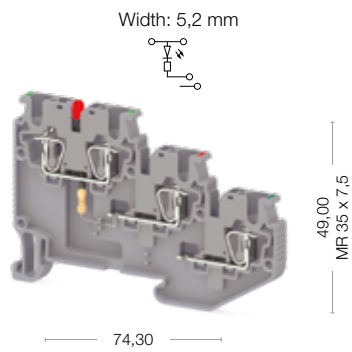
Cat No:

311 639
311 630



Electrical Ratings	Voltage, V ~	Current, A	Cross-Section	Voltage, V ~	Current, A	Cross-Section
IEC (EN 60947-7-1/EN 60947-7-2)	250	24	2,5 mm ²	24	24	2,5 mm ²
UL	300	20	AWG 28-12	300	20	AWG 28-12
VDE (IEC 60947-7-1)						
CSA						
ATEX						
Connection Data						
Conductor cross section solid (min.-max.)			0,08 - 4 mm ²			0,08 - 4 mm ²
Conductor cross section stranded (min.-max.)			0,14 - 2,5 mm ²			0,14 - 2,5 mm ²
2 conductors with same cross section, stranded, TWIN ferrules with plastic sleeve			0,5 mm ²			0,5 mm ²
AWG Conductor			28-12			28-12
Insulation Stripping Length (min.-max.)			8-10			8-10
Screwdriver			KT1 (0,4x2,5)			KT1 (0,4x2,5)
Technical Data For Diode						
Diode Reverse Voltage						
Diode Current						
Diode						
End Plate	Type	Order No	Qty.	Type	Order No	Qty.
	NPP/SRD 2,5-3S	451 179	50	NPP/SRD 2,5-3S	451 179	50
Test Plug	Type	Order No	Qty.	Type	Order No	Qty.
	TF Ø2	493 020	5	TF Ø2	493 020	5
Cross Connection	Type	Order No	Qty.	Type	Order No	Qty.
	CS 2,5/2	470 102	25	CS 2,5/2	470 102	25
	CS 2,5/3	470 103	20	CS 2,5/3	470 103	20
	CS 2,5/4	470 104	15	CS 2,5/4	470 104	15
	CS 2,5/5	470 105	10	CS 2,5/5	470 105	10
	CS 2,5/10	470 109	5	CS 2,5/10	470 109	5
	CS 2,5/20	470 170	10	CS 2,5/20	470 170	10
Technical Data						
Rated Impulse Voltage / Pollution severity			8/3			8/3
Insulation material group / Gauge pin code according to IEC 60947-1			1/A3			1/A3
Protection class / Protection conductor type			IP20/NA			IP20/NA
Marking Tags (Dekafix)						
See pages 326-333 for a list of Dekafix			D-NS 5,2x6, SLF-P2 W			D-NS 5,2x6, SLF-P2 W
Package Quantity			50			50

SRD 2,5-3SLD-PNP



Cat No:

- 311 649
- 311 640

Voltage, V ~	Current, A	Cross-Section
24	24	2,5 mm ²
300	20	AWG 28-12

0,08 - 4 mm ²
0,14 - 2,5 mm ²
0,5 mm ²
28-12
8-10
KT1 (0,4x2,5)

Type	Order No	Qty.
NPP/SRD 2,5-3S	451 179	50

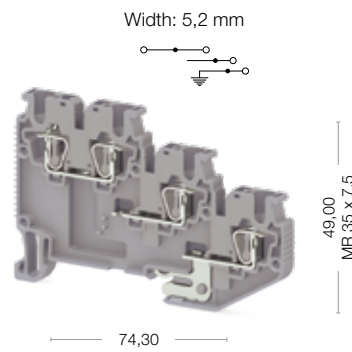
Type	Order No	Qty.
TF Ø2	493 020	5

Type	Order No	Qty.
CS 2,5/2	470 102	25
CS 2,5/3	470 103	20
CS 2,5/4	470 104	15
CS 2,5/5	470 105	10
CS 2,5/10	470 109	5
CS 2,5/20	470 170	10

8/3
1/A3
IP20/NA
D-NS 5,2x6, SLF-P2 W

50

SRD 2,5-2ST



Cat No:

- 311 659
- 311 650

Voltage, V ~	Current, A	Cross-Section
250	24	2,5 mm ²
300	20	AWG 28-12

0,08 - 4 mm ²
0,14 - 2,5 mm ²
0,5 mm ²
28-12
8-10
KT1 (0,4x2,5)

Type	Order No	Qty.
NPP/SRD 2,5-3S	451 179	50

Type	Order No	Qty.
TF Ø2	493 020	5

Type	Order No	Qty.
CS 2,5/2	470 102	25
CS 2,5/3	470 103	20
CS 2,5/4	470 104	15
CS 2,5/5	470 105	10
CS 2,5/10	470 109	5
CS 2,5/20	470 170	10

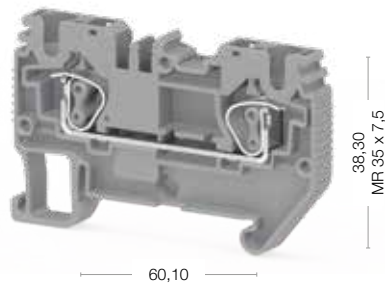
8/3
1/A3
IP20/NA
D-NS 5,2x6, SLF-P2 W

50

SRD 4

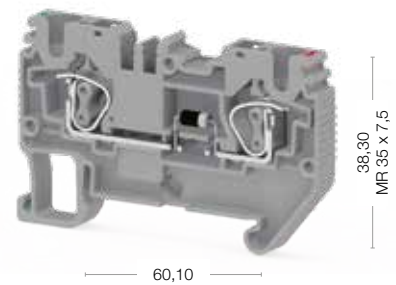
SRD 4

Width: 6,2 mm



SRD 4 D-A

Width: 6,2 mm



Cat No:

311 679
311 670

Cat No:

311 689
311 680



Electrical Ratings

IEC (EN 60947-7-1/EN 60947-7-2)
UL
VDE (IEC 60947-7-1)
CSA
ATEX

Voltage, V ~	Current, A	Cross-Section
800	32	4 mm ²
600	30	AWG 28-10

Voltage, V ~	Current, A	Cross-Section
800	1	4 mm ²
300	1	AWG 28-10

The max. current is determined by the diode.
Installed: Diode 1N 4007, reverse voltage: 1300 V, maximum continuous current: 0.5 A.

Connection Data

Conductor cross section solid (min.-max.)	0,08 -6 mm ²
Conductor cross section stranded (min.-max.)	0,14 - 4 mm ²
2 conductors with same cross section, stranded, TWIN ferrules with plastic sleeve	1 mm ²
AWG Conductor	28-10
Insulation Stripping Length (min.-max.)	8-10
Screwdriver	KT3 (0,6x3,5)

Conductor cross section solid (min.-max.)	0,08 -6 mm ²
Conductor cross section stranded (min.-max.)	0,14 - 4 mm ²
2 conductors with same cross section, stranded, TWIN ferrules with plastic sleeve	1 mm ²
AWG Conductor	28-10
Insulation Stripping Length (min.-max.)	8-10
Screwdriver	KT3 (0,6x3,5)

Technical Data For Diode

Diode Reverse Voltage	1000V
Diode Current	1 A
Diod	1 N 4007

End Plate



Type	Order No	Qty.	Type	Order No	Qty.
NPP/SRD 4	451 239	50	NPP/SRD 4	451 239	50

Partition Plate



Type	Order No	Qty.	Type	Order No	Qty.
APP/SRD 4	464 149	50	APP/SRD 4	464 149	50

Test Plug



Type	Order No	Qty.	Type	Order No	Qty.
TF Ø2	493 020	5	TF Ø2	493 020	5

Cross Connection



Type	Order No	Qty.	Type	Order No	Qty.
CS 4/2	470 112	25	CS 4/2	470 112	25
CS 4/3	470 113	20	CS 4/3	470 113	20
CS 4/4	470 114	15	CS 4/4	470 114	15
CS 4/5	470 115	10	CS 4/5	470 115	10
CS 4/10	470 119	5	CS 4/10	470 119	5
CS 4/20	470 180	10	CS 4/20	470 180	10

Technical Data

Rated Impulse Voltage / Pollution severity	8/3	8/3
Insulation material group / Gauge pin code according to IEC 60947-1	1/A3	1/A3
Protection class / Protection conductor type	IP20/NA	IP20/NA
Marking Tags (Dekafix)		
See pages 326-333 for a list of Dekafix	D-NS 6,2x6, SLF-P1 W	D-NS 6,2x6, SLF-P1 W

Package Quantity

50

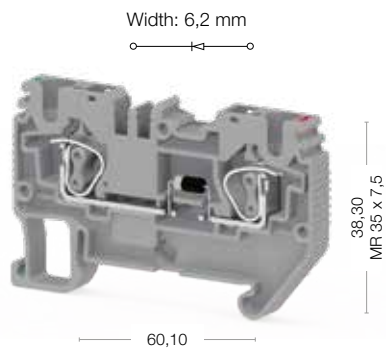
50

Color

Color code is the last digit of the order number

Blue	Green	Yellow	Red	Black	White	Orange
1	2	3	4	5	6	7

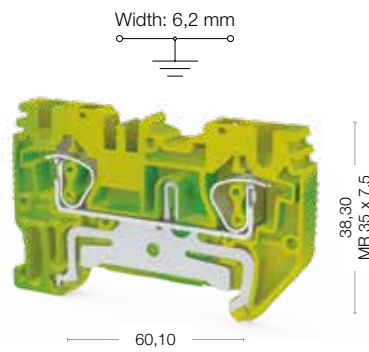
SRD 4 D-B



Cat No:

- 311 699
- 311 690

SRD 4 T



Cat No:

- 337 170

TST 4



Cat No:

- 499 859

Voltage, V ~	Current, A	Cross-Section
800	1	4 mm ²
300	1	AWG 28-10
The max. current is determined by the diode. Installed: Diode 1N 4007, reverse voltage: 1300 V, maximum continuous current: 0.5 A.		

Voltage, V ~	Current, A	Cross-Section
		4 mm ²
		AWG 28-10

Voltage, V ~	Current, A	Cross-Section
500	20	4 mm ²

0,08 - 6 mm ²
0,14 - 4 mm ²
1 mm ²
28-10
8-10
KT3 (0,6x3,5)

0,08 - 6 mm ²
0,14 - 4 mm ²
1 mm ²
28-10
8-10
KT3 (0,6x3,5)

0,08 - 6 mm ²
0,14 - 4 mm ²
1 mm ²
28-10
8-10
KT3 (0,6x3,5)

1000V
1 A
1 N 4007

Type	Order No	Qty.
NPP/SRD 4	451 239	50

Type	Order No	Qty.
NPP/SRD 4	451 232T	50

Type	Order No	Qty.

Type	Order No	Qty.
APP/SRD 4	464 149	50

Type	Order No	Qty.
APP/SRD 4	464 149	50

Type	Order No	Qty.

Type	Order No	Qty.
TF Ø2	493 020	5

Type	Order No	Qty.
TF Ø2	493 020	5

Type	Order No	Qty.
TF Ø2	493 020	5

Type	Order No	Qty.
CS 4/2	470 112	25
CS 4/3	470 113	20
CS 4/4	470 114	15
CS 4/5	470 115	10
CS 4/10	470 119	5
CS 4/20	470 180	10

Type	Order No	Qty.

Type	Order No	Qty.

8/3
1/A3
IP20/NA
D-NS 6,2x6, SLF-P1 W

8/3
1/A3
IP20/PE
D-NS 6,2x6, SLF-P1 W

1/A4
IP 20 / -
D-NS 6,2x6

50

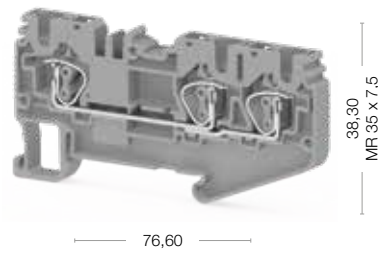
50

50

SRD 4 E

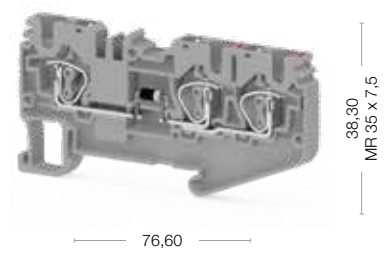
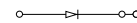
SRD 4 E

Width: 6,2 mm



SRD 4 ED-A

Width: 6,2 mm



Cat No:

- 311 709
- 311 700

Cat No:

- 311 719
- 311 710



Electrical Ratings
IEC (EN 60947-7-1/EN 60947-7-2)
UL
VDE (IEC 60947-7-1)
CSA
ATEX

Voltage, V ~	Current, A	Cross-Section
800	32	4 mm ²
600	30	AWG 28-10

Voltage, V ~	Current, A	Cross-Section
800	1	4 mm ²
300	1	AWG 28-10
The max. current is determined by the diode. Installed: Diode 1N 4007, reverse voltage: 1300 V, maximum continuous current: 0.5 A.		

Connection Data
Conductor cross section solid (min.-max.)
Conductor cross section stranded (min.-max.)
2 conductors with same cross section, stranded, TWIN ferrules with plastic sleeve
AWG Conductor
Insulation Stripping Length (min.-max.)
Screwdriver

0,08 - 6 mm ²
0,14 - 4 mm ²
1 mm ²
28-10
8-10
KT3 (0,6x3,5)

0,08 - 6 mm ²
0,14 - 4 mm ²
1 mm ²
28-10
8-10
KT3 (0,6x3,5)

Technical Data For Diode
Diode Reverse Voltage
Diode Current
Diod

1000V
1 A
1 N 4007

End Plate

Type	Order No	Qty.
NPP/SRD 4 E	451 199	50

Type	Order No	Qty.
NPP/SRD 4E	451 199	50

Partition Plate

Type	Order No	Qty.
APP/SRD 4E	464 129	50

Type	Order No	Qty.
APP/SRD 4E	464 129	50

Test Plug

Type	Order No	Qty.
TF Ø2	493 020	5

Type	Order No	Qty.
TF Ø2	493 020	5

Cross Connection

Type	Order No	Qty.
CS 4/2	470 112	25
CS 4/3	470 113	20
CS 4/4	470 114	15
CS 4/5	470 115	10
CS 4/10	470 119	5
CS 4/20	470 180	10

Type	Order No	Qty.
CS 4/2	470 112	25
CS 4/3	470 113	20
CS 4/4	470 114	15
CS 4/5	470 115	10
CS 4/10	470 119	5
CS 4/20	470 180	10

Technical Data
Rated Impulse Voltage / Pollution severity
Insulation material group / Gauge pin code according to IEC 60947-1
Protection class / Protection conductor type
Marking Tags (Dekafix)
See pages 326-333 for a list of Dekafix

8/3
1/A3
IP20/NA
D-NS 6,2x6, SLF-P1 W

8/3
1/A3
IP20/NA
D-NS 6,2x6, SLF-P1 W

Package Quantity

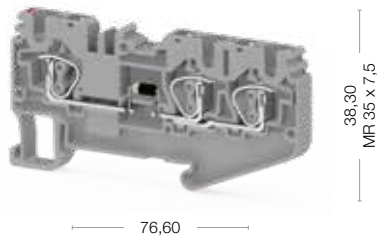
50

50

Color						
Color code is the last digit of the order number						
Blue	Green	Yellow	Red	Black	White	Orange
1	2	3	4	5	6	7

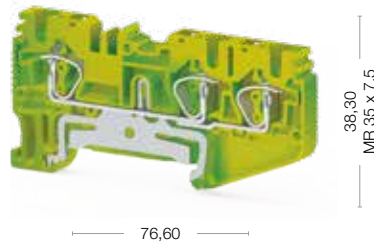
SRD 4 ED-B

Width: 6,2 mm



SRD 4 ET

Width: 6,2 mm



Cat No:

311 729
311 720

Voltage, V ~	Current, A	Cross-Section
800	1	4 mm ²
300	1	AWG 28-10
The max. current is determined by the diode. Installed: Diode 1N 4007, reverse voltage: 1300 V, maximum continuous current: 0.5 A.		

0,08 -6 mm ²
0,14 - 4 mm ²
1 mm ²
28-10
8-10
KT3 (0,6x3,5)

1000V
1 A
1 N 4007

Type	Order No	Qty.
NPP/SRD 4E	451 199	50

Type	Order No	Qty.
APP/SRD 4E	464 129	50

Type	Order No	Qty.
TF Ø2	493 020	5

Type	Order No	Qty.
CS 4/2	470 112	25
CS 4/3	470 113	20
CS 4/4	470 114	15
CS 4/5	470 115	10
CS 4/10	470 119	5
CS 4/20	470 180	10

8/3
1/A3
IP20/NA
D-NS 6,2x6, SLF-P1 W

50

Cat No:

337 180

Voltage, V ~	Current, A	Cross-Section
		4 mm ²
		AWG 28-10

0,08 -6 mm ²
0,14 - 4 mm ²
1 mm ²
28-10
8-10
KT3 (0,6x3,5)

1000V
1 A
1 N 4007

Type	Order No	Qty.
NPP/SRD 4E	451 192T	50

Type	Order No	Qty.
APP/SRD 4E	464 129	50

Type	Order No	Qty.
TF Ø2	493 020	5

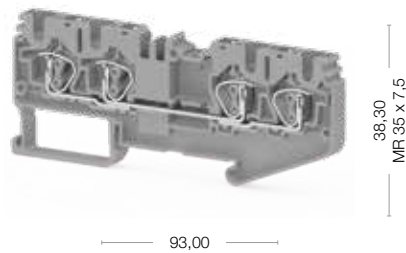
8/3
1/A3
IP20/PE
D-NS 6,2x6, SLF-P1 W

50

SRD 4 C

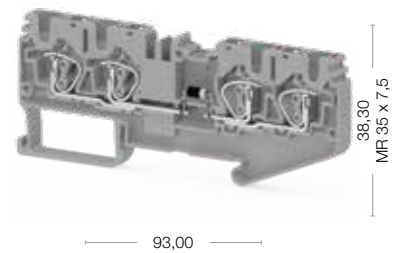
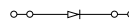
SRD 4 C

Width: 6,2 mm



SRD 4 CD-A

Width: 6,2 mm



Cat No:

- 311 739
- 311 730

Cat No:

- 311 749
- 311 740



Electrical Ratings
IEC (EN 60947-7-1/EN 60947-7-2)
UL
VDE (IEC 60947-7-1)
CSA
ATEX

Voltage, V ~	Current, A	Cross-Section
800	32	4 mm ²
600	30	AWG 28-10

Voltage, V ~	Current, A	Cross-Section
800	1	4 mm ²
600	1	AWG 28-10

Connection Data
Conductor cross section solid (min.-max.)
Conductor cross section stranded (min.-max.)
2 conductors with same cross section, stranded, TWIN ferrules with plastic sleeve
AWG Conductor
Insulation Stripping Length (min.-max.)
Screwdriver

0,08 -6 mm ²
0,14 - 4 mm ²
1 mm ²
28-10
8-10
KT3 (0,6x3,5)

0,08 -6 mm ²
0,14 - 4 mm ²
1 mm ²
28-10
8-10
KT3 (0,6x3,5)

Technical Data For Diode
Diode Reverse Voltage
Diode Current
Diod

1000V
1 A
1 N 4007

End Plate

Type	Order No	Qty.
NPP/SRD 4C	451 209	50

Type	Order No	Qty.
NPP/SRD 4C	451 209	50

Partition Plate

Type	Order No	Qty.
APP/SRD 4C	464 139	50

Type	Order No	Qty.
APP/SRD 4C	464 139	50

Test Plug

Type	Order No	Qty.
TF Ø2	493 020	5

Type	Order No	Qty.
TF Ø2	493 020	5

Cross Connection

Type	Order No	Qty.
CS 4/2	470 112	25
CS 4/3	470 113	20
CS 4/4	470 114	15
CS 4/5	470 115	10
CS 4/10	470 119	5
CS 4/20	470 180	10

Type	Order No	Qty.
CS 4/2	470 112	25
CS 4/3	470 113	20
CS 4/4	470 114	15
CS 4/5	470 115	10
CS 4/10	470 119	5
CS 4/20	470 180	10

Technical Data
Rated Impulse Voltage / Pollution severity
Insulation material group / Gauge pin code according to IEC 60947-1
Protection class / Protection conductor type

8/3
1/A3
IP20/NA

8/3
1/A3
IP20/NA

Marking Tags (Dekafix)
See pages 326-333 for a list of Dekafix

D-NS 6,2x6, SLF-P1 W

D-NS 6,2x6, SLF-P1 W

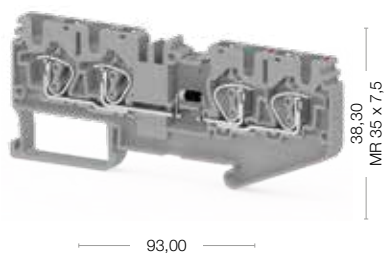
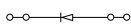
Package Quantity

50

50

SRD 4 CD-B

Width: 6,2 mm



Cat No:

311 759

311 750

Voltage, V ~	Current, A	Cross-Section
800	1	4 mm ²
600	1	AWG 28-10

0,08 - 6 mm ²
0,14 - 4 mm ²
1 mm ²
28-10
8-10
KT3 (0,6x3,5)

1000V
1 A
1 N 4007

Type	Order No	Qty.
NPP/SRD 4C	451 209	50

Type	Order No	Qty.
APP/SRD 4C	464 139	50

Type	Order No	Qty.
TF Ø2	493 020	5

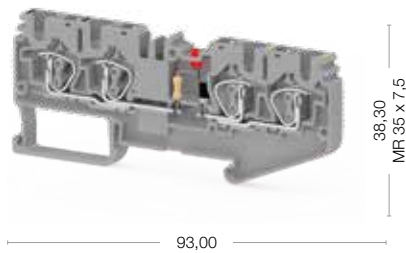
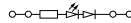
Type	Order No	Qty.
CS 4/2	470 112	25
CS 4/3	470 113	20
CS 4/4	470 114	15
CS 4/5	470 115	10
CS 4/10	470 119	5
CS 4/20	470 180	10

8/3
1/A3
IP20/NA
D-NS 6,2x6, SLF-P1 W
50

SRD 4 CLD

SRD 4 CLD-24VAC

Width: 6,2 mm



Cat No:

- 311 789
- 311 780



Electrical Ratings
IEC (EN 60947-7-1/EN 60947-7-2)
UL
VDE (IEC 60947-7-1)
CSA
ATEX

Voltage, V ~	Current, A	Cross-Section
24	32	4 mm ²
24V (AC)	20mA	AWG 28-10

Connection Data
Conductor cross section solid (min.-max.)
Conductor cross section stranded (min.-max.)
2 conductors with same cross section, stranded, TWIN ferrules with plastic sleeve
AWG Conductor
Insulation Stripping Length (min.-max.)
Screwdriver

Connection Data
0,08 -6 mm ²
0,14 - 4 mm ²
1 mm ²
28-10
8-10
KT3 (0,6x3,5)

Technical Data For Diode
Diode Reverse Voltage
Diode Current
Diod

Technical Data For Diode

End Plate



Type	Order No	Qty.
NPP/SRD 4C	451 209	50

Partition Plate


Type	Order No	Qty.
APP/SRD 4C	464 139	50

Test Plug


Type	Order No	Qty.
TF Ø2	493 020	5

Cross Connection


Type	Order No	Qty.
CS 4/2	470 112	25
CS 4/3	470 113	20
CS 4/4	470 114	15
CS 4/5	470 115	10
CS 4/10	470 119	5
CS 4/20	470 180	10

Technical Data
Rated Impulse Voltage / Pollution severity
Insulation material group / Gauge pin code according to IEC 60947-1
Protection class / Protection conductor type

8/3
1/A3
IP20/NA

Marking Tags (Dekafix)
See pages 326-333 for a list of Dekafix

D-NS 6,2x6, SLF-P1 W

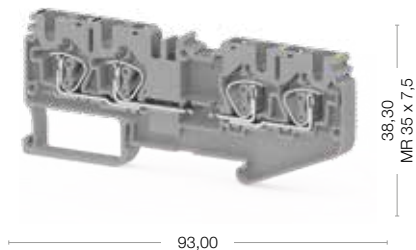
Package Quantity

50

SRD 4 CLD-..... Ordering Data		
24VDC	Gray	311 779
	Beige	311 770
48VAC	Gray	311 809
	Beige	311 800
48VDC	Gray	311 799
	Beige	311 790
110VAC	Gray	311 829
	Beige	311 820
110VDC	Gray	311 819
	Beige	311 810
220VAC	Gray	311 849
	Beige	311 840
220VDC	Gray	311 839
	Beige	311 830

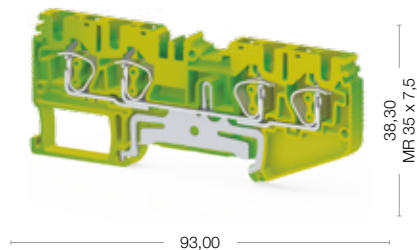
SRD 4 Cx2

Width: 6,2 mm



SRD 4 CT

Width: 6,2 mm



Cat No:

- 311 769
- 311 760

Cat No:

- 337 190

Voltage, V ~	Current, A	Cross-Section
400	32	4 mm ²
300	30/1	AWG 28-10

0,08 - 6 mm ²
0,14 - 4 mm ²
1 mm ²
28-10
8-10
KT3 (0,6x3,5)

Type	Order No	Qty.
NPP/SRD 4C	451 209	50

Type	Order No	Qty.
APP/SRD 4C	464 139	50

Type	Order No	Qty.
TF Ø2	493 020	5

Type	Order No	Qty.
CS 4/2	470 112	25
CS 4/3	470 113	20
CS 4/4	470 114	15
CS 4/5	470 115	10
CS 4/10	470 119	5
CS 4/20	470 180	10

8/3
1/A3
IP20/NA
D-NS 6,2x6, SLF-P1 W
50

Voltage, V ~	Current, A	Cross-Section
		4 mm ²
		AWG 28-10

0,08 - 6 mm ²
0,14 - 4 mm ²
1 mm ²
28-10
8-10
KT3 (0,6x3,5)

Type	Order No	Qty.
NPP/SRD 24C	451 202T	50

Type	Order No	Qty.
APP/SRD 4C	464 139	50

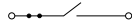
Type	Order No	Qty.
TF Ø2	493 020	5

8/3
1/A3
IP20/PE
D-NS 6,2x6, SLF-P1 W
50

SRD 4 A

SRD 4 A

Width: 6,2 mm

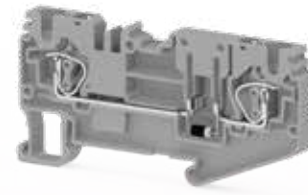
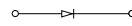


76,60

38,30
MF 35 x 7,5

SRD 4 AD-A

Width: 6,2 mm



76,60

38,30
MF 35 x 7,5

Cat No:

- 311 869
- 311 860

Cat No:

- 311 879
- 311 870



Electrical Ratings
IEC (EN 60947-7-1/EN 60947-7-2)
UL
VDE (IEC 60947-7-1)
CSA
ATEX

Voltage, V ~	Current, A	Cross-Section
500	20	4 mm ²
300	20	AWG 28-10

Voltage, V ~	Current, A	Cross-Section
500	1	4 mm ²
300	1	AWG 28-10

The max. current is determined by the diode.
Installed: Diode 1N 4007, reverse voltage: 1300 V, maximum continuous current: 0.5 A.

Connection Data
Conductor cross section solid (min.-max.)
Conductor cross section stranded (min.-max.)
2 conductors with same cross section, stranded, TWIN ferrules with plastic sleeve
AWG Conductor
Insulation Stripping Length (min.-max.)
Screwdriver

0,08 -6 mm ²
0,14 - 4 mm ²
1 mm ²
28-10
8-10
KT3 (0,6x3,5)

0,08 -6 mm ²
0,14 - 4 mm ²
1 mm ²
28-10
8-10
KT3 (0,6x3,5)

Technical Data For Diode
Diode Reverse Voltage
Diode Current
Diod

1000V
1 A
1 N 4007

End Plate

Type	Order No	Qty.
NPP/SRD 4E	451 199	50

Type	Order No	Qty.
NPP/SRD 4E	451 199	50

Partition Plate

Type	Order No	Qty.
APP/SRD 4E	464 129	50

Type	Order No	Qty.
APP/SRD 4E	464 129	50

Test Plug

Type	Order No	Qty.
TF Ø2	493 020	5

Type	Order No	Qty.
TF Ø2	493 020	5

Cross Connection

Type	Order No	Qty.
CS 4/2	470 112	25
CS 4/3	470 113	20
CS 4/4	470 114	15
CS 4/5	470 115	10
CS 4/10	470 119	5
CS 4/20	470 180	10

Type	Order No	Qty.
CS 4/2	470 112	25
CS 4/3	470 113	20
CS 4/4	470 114	15
CS 4/5	470 115	10
CS 4/10	470 119	5
CS 4/20	470 180	10

Technical Data
Rated Impulse Voltage / Pollution severity
Insulation material group / Gauge pin code according to IEC 60947-1
Protection class / Protection conductor type

8/3
1/A3
IP20/NA

8/3
1/A3
IP20/NA

Marking Tags (Dekafix)
See pages 326-333 for a list of Dekafix

D-NS 6,2x6, SLF-P1 W

D-NS 6,2x6, SLF-P1 W

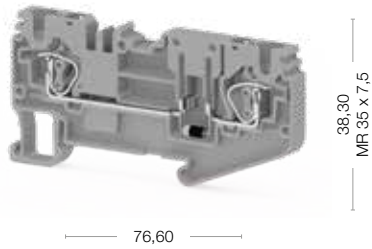
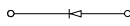
Package Quantity

50

50

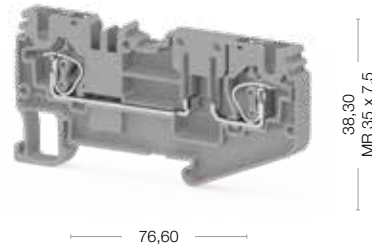
SRD 4 AD-B

Width: 6,2 mm



SRD 4 AK

Width: 6,2 mm



Cat No:

- 311 889
- 311 880

Voltage, V ~	Current, A	Cross-Section
500	1	4 mm ²
300	1	AWG 28-10
The max. current is determined by the diode. Installed: Diode 1N 4007, reverse voltage: 1300 V, maximum continuous current: 0.5 A.		

0,08 -6 mm ²
0,14 - 4 mm ²
1 mm ²
28-10
8-10
KT3 (0,6x3,5)

1000V
1 A
1 N 4007

Type	Order No	Qty.
NPP/SRD 4E	451 199	50

Type	Order No	Qty.
APP/SRD 4E	464 129	50

Type	Order No	Qty.
TF Ø2	493 020	5

Type	Order No	Qty.
CS 4/2	470 112	25
CS 4/3	470 113	20
CS 4/4	470 114	15
CS 4/5	470 115	10
CS 4/10	470 119	5
CS 4/20	470 180	10

8/3
1/A3
IP20/NA
D-NS 6,2x6, SLF-P1 W

50

Cat No:

- 311 899
- 311 890

Voltage, V ~	Current, A	Cross-Section
500	20	4 mm ²
300	20	AWG 28-10

0,08 -6 mm ²
0,14 - 4 mm ²
1 mm ²
28-10
8-10
KT3 (0,6x3,5)

Type	Order No	Qty.
NPP/SRD 4E	451 199	50

Type	Order No	Qty.
APP/SRD 4E	464 129	50

Type	Order No	Qty.
TF Ø2	493 020	5

CS 4/2	470 112	25
CS 4/3	470 113	20
CS 4/4	470 114	15
CS 4/5	470 115	10
CS 4/10	470 119	5
CS 4/20	470 180	10

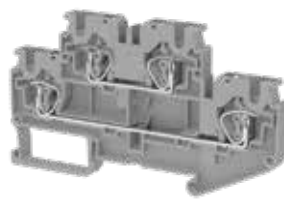
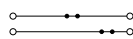
8/3
1/A3
IP20/NA
D-NS 6,2x6, SLF-P1 W

50

SRD 4-2F

SRD 4-2F

Width: 6,2 mm

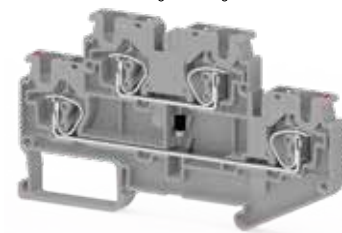


89,70

51,30
MP 35 x 7,5

SRD 4-2FD-A

Width: 6,2 mm



89,70

51,30
MP 35 x 7,5

Cat No:

311 909 311 901
311 900

Cat No:

311 919
311 910



Electrical Ratings
IEC (EN 60947-7-1/EN 60947-7-2)
UL
VDE (IEC 60947-7-1)
CSA
ATEX

Voltage, V ~	Current, A	Cross-Section
500	32	4 mm ²
300	30	AWG 28-10

Voltage, V ~	Current, A	Cross-Section
500	1	4 mm ²
300	1	AWG 28-10

The max. current is determined by the diode.
Installed: Diode 1N 4007, reverse voltage: 1300 V,
maximum continuous current: 0.5 A.

Connection Data	
Conductor cross section solid (min.-max.)	0,08 -6 mm ²
Conductor cross section stranded (min.-max.)	0,14 - 4 mm ²
2 conductors with same cross section, stranded, TWIN ferrules with plastic sleeve	1 mm ²
AWG Conductor	28-10
Insulation Stripping Length (min.-max.)	8-10
Screwdriver	KT3 (0,6x3,5)

Conductor cross section solid (min.-max.)	0,08 -6 mm ²
Conductor cross section stranded (min.-max.)	0,14 - 4 mm ²
2 conductors with same cross section, stranded, TWIN ferrules with plastic sleeve	1 mm ²
AWG Conductor	28-10
Insulation Stripping Length (min.-max.)	8-10
Screwdriver	KT3 (0,6x3,5)

Conductor cross section solid (min.-max.)	0,08 -6 mm ²
Conductor cross section stranded (min.-max.)	0,14 - 4 mm ²
2 conductors with same cross section, stranded, TWIN ferrules with plastic sleeve	1 mm ²
AWG Conductor	28-10
Insulation Stripping Length (min.-max.)	8-10
Screwdriver	KT3 (0,6x3,5)

Technical Data For Diode	
Diode Reverse Voltage	1000V
Diode Current	1 A
Diod	1 N 4007

Diode Reverse Voltage	1000V
Diode Current	1 A
Diod	1 N 4007

Diode Reverse Voltage	1000V
Diode Current	1 A
Diod	1 N 4007

End Plate


Type	Order No	Qty.
NPP/SRD 4_2F	451 219	50

Type	Order No	Qty.
NPP/SRD 4_2F	451 219	50

Partition Plate


Type	Order No	Qty.
APP/SRD 4_2F	464 159	50

Type	Order No	Qty.
APP/SRD 4_2F	464 159	50

Test Plug


Type	Order No	Qty.
TF Ø2	493 020	5

Type	Order No	Qty.
TF Ø2	493 020	5

Cross Connection


Type	Order No	Qty.
CS 4/2	470 112	25
CS 4/3	470 113	20
CS 4/4	470 114	15
CS 4/5	470 115	10
CS 4/10	470 119	5
CS 4/20	470 180	10

Type	Order No	Qty.
CS 4/2	470 112	25
CS 4/3	470 113	20
CS 4/4	470 114	15
CS 4/5	470 115	10
CS 4/10	470 119	5
CS 4/20	470 180	10

Technical Data	
Rated Impulse Voltage / Pollution severity	8/3
Insulation material group / Gauge pin code according to IEC 60947-1	1/A3
Protection class / Protection conductor type	IP20/NA

Rated Impulse Voltage / Pollution severity	8/3
Insulation material group / Gauge pin code according to IEC 60947-1	1/A3
Protection class / Protection conductor type	IP20/NA

Rated Impulse Voltage / Pollution severity	8/3
Insulation material group / Gauge pin code according to IEC 60947-1	1/A3
Protection class / Protection conductor type	IP20/NA

Marking Tags (Dekafix)
See pages 326-333 for a list of Dekafix

Marking Tags (Dekafix)	D-NS 6,2x6, SLF-P2 W
------------------------	----------------------

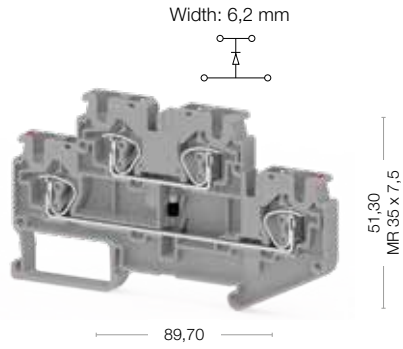
Marking Tags (Dekafix)	D-NS 6,2x6, SLF-P2 W
------------------------	----------------------

Package Quantity
50

Package Quantity	50
------------------	----

Package Quantity	50
------------------	----

SRD 4-2FD-B



Cat No:

- 311 929
- 311 920

Voltage, V ~	Current, A	Cross-Section
500	1	4 mm ²
300	1	AWG 28-10
The max. current is determined by the diode. Installed: Diode 1N 4007, reverse voltage: 1300 V, maximum continuous current: 0.5 A.		

0,08 - 6 mm ²
0,14 - 4 mm ²
1 mm ²
28-10
8-10
KT3 (0,6x3,5)

1000V
1 A
1 N 4007

Type	Order No	Qty.
NPP/SRD 4_2F	451 219	50

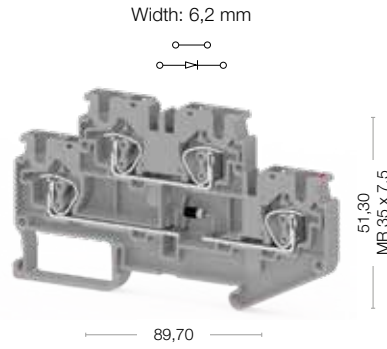
Type	Order No	Qty.
APP/SRD 4_2F	464 159	50

Type	Order No	Qty.
TF Ø2	493 020	5

Type	Order No	Qty.
CS 4/2	470 112	25
CS 4/3	470 113	20
CS 4/4	470 114	15
CS 4/5	470 115	10
CS 4/10	470 119	5
CS 4/20	470 180	10

8/3
1/A3
IP20/NA
D-NS 6,2x6, SLF-P2 W
50

SRD 4-2FD-L



Cat No:

- 312 049
- 312 040

Voltage, V ~	Current, A	Cross-Section
500	1	4 mm ²
300	1	AWG 28-10
The max. current is determined by the diode. Installed: Diode 1N 4007, reverse voltage: 1300 V, maximum continuous current: 0.5 A.		

0,08 - 6 mm ²
0,14 - 4 mm ²
1 mm ²
28-10
8-10
KT3 (0,6x3,5)

1000V
1 A
1 N 4007

Type	Order No	Qty.
NPP/SRD 4_2F	451 219	50

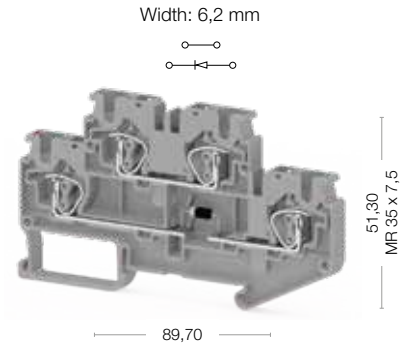
Type	Order No	Qty.
APP/SRD 4_2F	464 159	50

Type	Order No	Qty.
TF Ø2	493 020	5

Type	Order No	Qty.
CS 4/2	470 112	25
CS 4/3	470 113	20
CS 4/4	470 114	15
CS 4/5	470 115	10
CS 4/10	470 119	5
CS 4/20	470 180	10

8/3
1/A3
IP20/NA
D-NS 6,2x6, SLF-P2 W
50

SRD 4-2FD-R



Cat No:

- 311 939
- 311 930

Voltage, V ~	Current, A	Cross-Section
500	1	4 mm ²
300	1	AWG 28-10
The max. current is determined by the diode. Installed: Diode 1N 4007, reverse voltage: 1300 V, maximum continuous current: 0.5 A.		

0,08 - 6 mm ²
0,14 - 4 mm ²
1 mm ²
28-10
8-10
KT3 (0,6x3,5)

1000V
1 A
1 N 4007

Type	Order No	Qty.
NPP/SRD 4_2F	451 219	50

Type	Order No	Qty.
APP/SRD 4_2F	464 159	50

Type	Order No	Qty.
TF Ø2	493 020	5

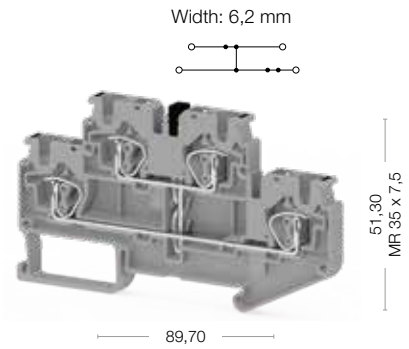
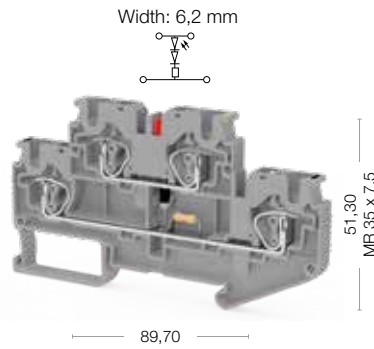
Type	Order No	Qty.
CS 4/2	470 112	25
CS 4/3	470 113	20
CS 4/4	470 114	15
CS 4/5	470 115	10
CS 4/10	470 119	5
CS 4/20	470 180	10

8/3
1/A3
IP20/NA
D-NS 6,2x6, SLF-P2 W
50

SRD 4-2F

SRD 4-2FLD-24VAC

SRD 4-2FK



Cat No:

- 311 959
- 311 950

Cat No:

- 312 069
- 312 060



Electrical Ratings
IEC (EN 60947-7-1/EN 60947-7-2)
UL
VDE (IEC 60947-7-1)
CSA
ATEX

Voltage, V ~	Current, A	Cross-Section
24	32	4 mm ²
24V (AC)	20mA	AWG 28-10

Voltage, V ~	Current, A	Cross-Section
500	32	4 mm ²
300	30	AWG 28-10

Connection Data
Conductor cross section solid (min.-max.)
Conductor cross section stranded (min.-max.)
2 conductors with same cross section, stranded, TWIN ferrules with plastic sleeve
AWG Conductor
Insulation Stripping Length (min.-max.)
Screwdriver

0,08 -6 mm ²
0,14 - 4 mm ²
1 mm ²
28-10
8-10
KT3 (0,6x3,5)

0,08 -6 mm ²
0,14 - 4 mm ²
1 mm ²
28-10
8-10
KT3 (0,6x3,5)

Technical Data For Diode
Diode Reverse Voltage
Diode Current
Diod

End Plate

Type	Order No	Qty.
NPP/SRD 4_2F	451 219	50

Type	Order No	Qty.
NPP/SRD 4_2F	451 219	50

Partition Plate

Type	Order No	Qty.
APP/SRD 4_2F	464 159	50

Type	Order No	Qty.
APP/SRD 4_2F	464 159	50

Test Plug

Type	Order No	Qty.
TF Ø2	493 020	5

Type	Order No	Qty.
TF Ø2	493 020	5

Cross Connection

Type	Order No	Qty.
CS 4/2	470 112	25
CS 4/3	470 113	20
CS 4/4	470 114	15
CS 4/5	470 115	10
CS 4/10	470 119	5
CS 4/20	470 180	10

Type	Order No	Qty.
CS 4/2	470 112	25
CS 4/3	470 113	20
CS 4/4	470 114	15
CS 4/5	470 115	10
CS 4/10	470 119	5
CS 4/20	470 180	10

Technical Data
Rated Impulse Voltage / Pollution severity
Insulation material group / Gauge pin code according to IEC 60947-1
Protection class / Protection conductor type

8/3
1/A3
IP20/NA

8/3
1/A3
IP20/NA

Marking Tags (Dekafix)
See pages 326-333 for a list of Dekafix

D-NS 6,2x6, SLF-P2 W

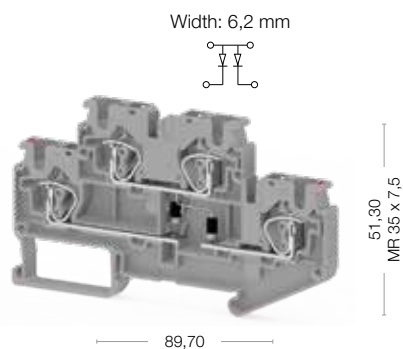
D-NS 6,2x6, SLF-P2 W

Package Quantity
50

50

50

SRD 4-F2D-A



Cat No:

- 312 029
- 312 020

Voltage, V ~	Current, A	Cross-Section
500	1	4 mm ²
300	1	AWG 28-10
The max. current is determined by the diode. Installed: Diode 1N 4007, reverse voltage: 1300 V, maximum continuous current: 0.5 A.		

0,08 -6 mm ²
0,14 - 4 mm ²
1 mm ²
28-10
8-10
KT3 (0,6x3,5)

1000V
1 A
1 N 4007

Type	Order No	Qty.
NPP/SRD 4_2F	451 219	50

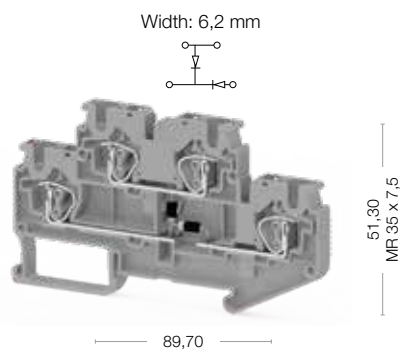
Type	Order No	Qty.
APP/SRD 4_2F	464 159	50

Type	Order No	Qty.
TF Ø2	493 020	5

Type	Order No	Qty.
CS 4/2	470 112	25
CS 4/3	470 113	20
CS 4/4	470 114	15
CS 4/5	470 115	10
CS 4/10	470 119	5
CS 4/20	470 180	10

8/3
1/A3
IP20/NA
D-NS 6,2x6, SLF-P2 W
50

SRD 4-F2D-B



Cat No:

- 312 039
- 312 030

Voltage, V ~	Current, A	Cross-Section
500	1	4 mm ²
300	10-28	AWG 28-10
The max. current is determined by the diode. Installed: Diode 1N 4007, reverse voltage: 1300 V, maximum continuous current: 0.5 A.		

0,08 -6 mm ²
0,14 - 4 mm ²
1 mm ²
28-10
8-10
KT3 (0,6x3,5)

1000V
1 A
1 N 4007

Type	Order No	Qty.
NPP/SRD 4_2F	451 219	50

Type	Order No	Qty.
APP/SRD 4_2F	464 159	50

Type	Order No	Qty.
TF Ø2	493 020	5

CS 4/2	470 112	25
CS 4/3	470 113	20
CS 4/4	470 114	15
CS 4/5	470 115	10
CS 4/10	470 119	5
CS 4/20	470 180	10

8/3
1/A3
IP20/NA
D-NS 6,2x6, SLF-P2 W
50

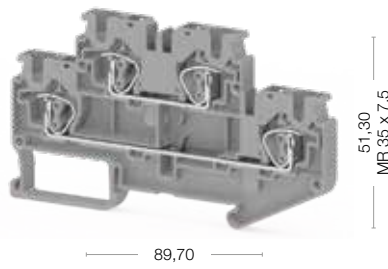
SRD 2,5-2FLD-..... Ordering Data

24VDC	Gray	311 949
	Beige	311 940
48VAC	Gray	311 979
	Beige	311 970
48VDC	Gray	311 969
	Beige	311 960
110VAC	Gray	311 999
	Beige	311 990
110VDC	Gray	311 989
	Beige	311 980
220VAC	Gray	312 019
	Beige	312 010
220VDC	Gray	312 009
	Beige	312 000

SRD 4-2F SRD 4-FT

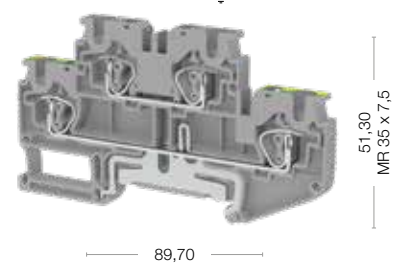
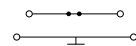
SRD 4-FN

Width: 6,2 mm



SRD 4-FT

Width: 6,2 mm



Cat No:

- 312 059
- 312 050

Cat No:

- 312 079
- 312 070



Electrical Ratings
IEC (EN 60947-7-1/EN 60947-7-2)
UL
VDE (IEC 60947-7-1)
CSA
ATEX

Voltage, V ~	Current, A	Cross-Section
500	32	4 mm ²
300	30	AWG 28-10

Voltage, V ~	Current, A	Cross-Section
500	32	4 mm ²
300	30	AWG 28-10

Connection Data
Conductor cross section solid (min.-max.)
Conductor cross section stranded (min.-max.)
2 conductors with same cross section, stranded, TWIN ferrules with plastic sleeve
AWG Conductor
Insulation Stripping Length (min.-max.)
Screwdriver

0,08 -6 mm ²
0,14 - 4 mm ²
1 mm ²
28-10
8-10
KT3 (0,6x3,5)

0,08 -6 mm ²
0,14 - 4 mm ²
1 mm ²
28-10
8-10
KT3 (0,6x3,5)

Technical Data For Diode
Diode Reverse Voltage
Diode Current
Diode

End Plate


Type	Order No	Qty.
NPP/SRD 4_2F	451 219	50

Type	Order No	Qty.
NPP/SRD 4_2F	451 219	50

Partition Plate


Type	Order No	Qty.
APP/SRD 4_2F	464 159	50

Type	Order No	Qty.
APP/SRD 4_2F	464 159	50

Test Plug


Type	Order No	Qty.
TF Ø2	493 020	5

Type	Order No	Qty.
TF Ø2	493 020	5

Cross Connection


Type	Order No	Qty.
CS 4/2	470 112	25
CS 4/3	470 113	20
CS 4/4	470 114	15
CS 4/5	470 115	10
CS 4/10	470 119	5
CS 4/20	470 180	10

Type	Order No	Qty.
CS 4/2	470 112	25
CS 4/3	470 113	20
CS 4/4	470 114	15
CS 4/5	470 115	10
CS 4/10	470 119	5
CS 4/20	470 180	10

Technical Data
Rated Impulse Voltage / Pollution severity
Insulation material group / Gauge pin code according to IEC 60947-1
Protection class / Protection conductor type

8/3
1/A3
IP20/NA

8/3
1/A3
IP20/NA/PE

Marking Tags (Dekafix)
See pages 326-333 for a list of Dekafix

D-NS 6,2x6, SLF-P2 W

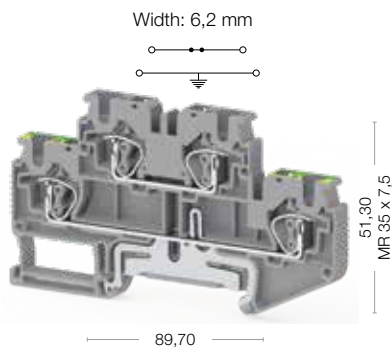
D-NS 6,2x6, SLF-P2 W

Package Quantity

50

50

SRD 4-NT



Cat No:

- 312 089
- 312 080

Voltage, V ~	Current, A	Cross-Section
500	32	4 mm ²
300	30	AWG 28-10

0,08 -6 mm ²
0,14 - 4 mm ²
1 mm ²
28-10
8-10
KT3 (0,6x3,5)

Type	Order No	Qty.
NPP/SRD 4_2F	451 219	50

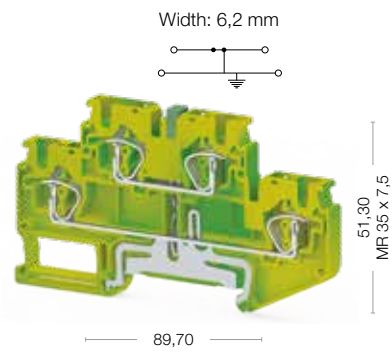
Type	Order No	Qty.
APP/SRD 4_2F	464 159	50

Type	Order No	Qty.
TF Ø2	493 020	5

Type	Order No	Qty.
CS 4/2	470 112	25
CS 4/3	470 113	20
CS 4/4	470 114	15
CS 4/5	470 115	10
CS 4/10	470 119	5
CS 4/20	470 180	10

8/3
1/A3
IP20/NA/PE
D-NS 6,2x6, SLF-P2 W
50

SRD 4-2T



Cat No:

- 337 200

Voltage, V ~	Current, A	Cross-Section
		4 mm ²
		AWG 28-10

0,08 -6 mm ²
0,14 - 4 mm ²
1 mm ²
28-10
8-10
KT3 (0,6x3,5)

Type	Order No	Qty.
NPP/SRD 4-2F	451 212T	50

Type	Order No	Qty.
APP/SRD 4-2F	464 159	50

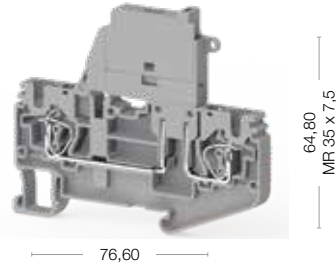
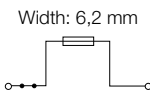
Type	Order No	Qty.
TF Ø2	493 020	5

Type	Order No	Qty.
CS 4/2	470 112	25
CS 4/3	470 113	20
CS 4/4	470 114	15
CS 4/5	470 115	10
CS 4/10	470 119	5
CS 4/20	470 180	10

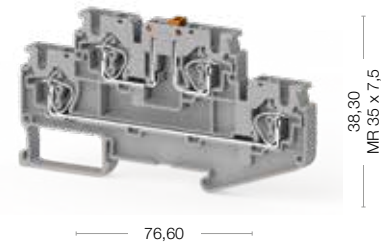
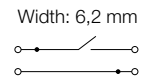
8/3
1/A3
IP20/PE
D-NS 6,2x6, SLF-P2 W
50

SRD 4 S SRD 4 SLD

SRD 4S



SRD 4 AF



Cat No:

- 312 119
- 312 110

Cat No:

- 312 099
- 312 090



Electrical Ratings
IEC (EN 60947-7-1/EN 60947-7-2)
UL
VDE (IEC 60947-7-1)
CSA
ATEX

Voltage, V ~	Current, A	Cross-Section
500	10	4 mm ²
300	10	AWG 28-10

Voltage, V ~	Current, A	Cross-Section
500	32	24 mm ²
300	T:20A, B:30A	AWG 28-10

Connection Data
Conductor cross section solid (min.-max.)
Conductor cross section stranded (min.-max.)
2 conductors with same cross section, stranded, TWIN ferrules with plastic sleeve
AWG Conductor
Insulation Stripping Length (min.-max.)
Screwdriver

0,08 -6 mm ²
0,14 - 4 mm ²
1 mm ²
28-10
8-10
KT3 (0,6x3,5)

0,08 -6 mm ²
0,14 - 4 mm ²
1 mm ²
28-10
8-10
KT3 (0,6x3,5)

Technical Data For Diode
Diode Reverse Voltage
Diode Current
Diode

End Plate

Type	Order No	Qty.
NPP/SRD 4E	451 199	50

Type	Order No	Qty.
NPP/SRD 4AF	451 229	50

Partition Plate

Type	Order No	Qty.
APP/SRD 4E	464 129	50

Type	Order No	Qty.
APP/SRD 4AF	464 169	50

Test Plug

Type	Order No	Qty.
TF Ø2	493 020	5

Type	Order No	Qty.
TF Ø2	493 020	5

Cross Connection

Type	Order No	Qty.
CS 4/2	470 112	25
CS 4/3	470 113	20
CS 4/4	470 114	15
CS 4/5	470 115	10
CS 4/10	470 119	5
CS 4/20	470 180	10

Type	Order No	Qty.
CS 4/2	470 112	25
CS 4/3	470 113	20
CS 4/4	470 114	15
CS 4/5	470 115	10
CS 4/10	470 119	5
CS 4/20	470 180	10

Technical Data
Rated Impulse Voltage / Pollution severity
Insulation material group / Gauge pin code according to IEC 60947-1
Protection class / Protection conductor type

8/3
1/A3
IP20/NA

8/3
1/A3
IP20/NA

Marking Tags (Dekafix)
See pages 326-333 for a list of Dekafix

D-NS 6,2x6, SLF-P1 W

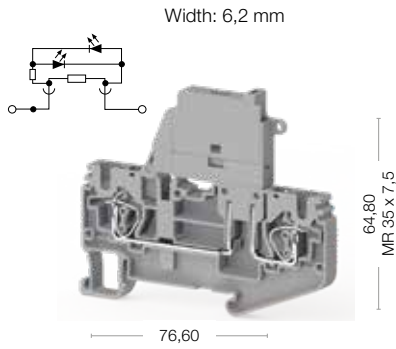
D-NS 6,2x6, SLF-P2 W

Package Quantity

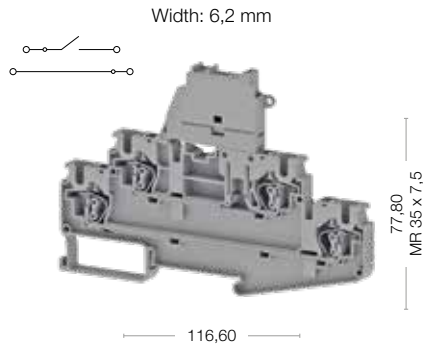
50

50

SRD 4 SLD 24V AC/DC



SRD 4 FS



Cat No:

- 312 139
- 312 130

Voltage, V ~	Current, A	Cross-Section
24	10	4 mm ²
24	10	AWG 28-10

0,08 -6 mm ²
0,14 - 4 mm ²
1 mm ²
28-10
8-10
KT3 (0,6x3,5)

Type	Order No	Qty.

Type	Order No	Qty.
NPP/SRD 4E	451 199	50

Type	Order No	Qty.
APP/SRD 4E	464 129	50

Type	Order No	Qty.
TF Ø2	493 020	5

Type	Order No	Qty.
CS 4/2	470 112	25
CS 4/3	470 113	20
CS 4/4	470 114	15
CS 4/5	470 115	10
CS 4/10	470 119	5
CS 4/20	470 180	10

8/3
1/A4
IP20/NA
D-NS 6,2x6, SLF-P1 W

50

Cat No:

- 312 259
- 312 250

Voltage, V ~	Current, A	Cross-Section
24	10	4 mm ²
24	10	AWG 28-10

0,08 -6 mm ²
0,14 - 4 mm ²
1 mm ²
28-10
8-10
KT3 (0,6x3,5)

Type	Order No	Qty.

Type	Order No	Qty.
NPP/SRD 4FS	451 379	50

Type	Order No	Qty.
APP/SRD 4E	464 129	50

Type	Order No	Qty.
TF Ø2	493 020	5

Type	Order No	Qty.
CS 4/2	470 112	25
CS 4/3	470 113	20
CS 4/4	470 114	15
CS 4/5	470 115	10
CS 4/10	470 119	5
CS 4/20	470 180	10

8/3
1/A4
IP20/NA
DG 6/5, SLF-P2 W

50

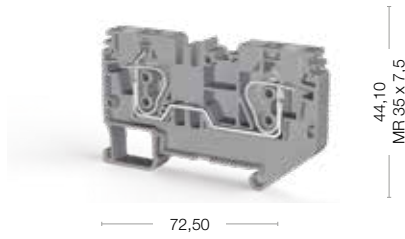
SRD 4 SLD -..... Ordering Data		
48V AC/DC	Gray	312 149
	Beige	312 140
110V AC/DC	Gray	312 159
	Beige	312 150
220V AC/DC	Gray	312 169
	Beige	312 160

SRD 4 FSLD -..... Ordering Data		
24V AC/DC	Gray	312 269
	Beige	312 260
48V AC/DC	Gray	312 279
	Beige	312 270
110V AC/DC	Gray	312 289
	Beige	312 280
220V AC/DC	Gray	312 299
	Beige	312 290

SRD 6

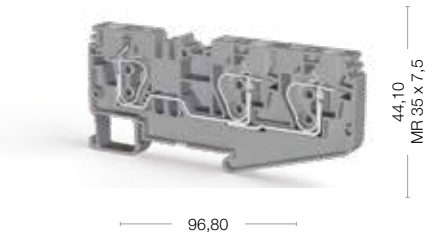
SRD 6

Width: 8 mm



SRD 6 E

Width: 8 mm



Cat No:

- 312 199
- 312 190

Cat No:

- 312 209
- 312 200



Electrical Ratings
IEC (EN 60947-7-1/EN 60947-7-2)
UL
VDE (IEC 60947-7-1)
CSA
ATEX

Voltage, V ~	Current, A	Cross-Section
1000	41	6 mm ²
600	43	AWG 24-8

Voltage, V ~	Current, A	Cross-Section
1000	41	6 mm ²
600	43	AWG 24-8

Connection Data
Conductor cross section solid (min.-max.)
Conductor cross section stranded (min.-max.)
2 conductors with same cross section, stranded, TWIN ferrules with plastic sleeve
AWG Conductor
Insulation Stripping Length (min.-max.)
Screwdriver

0,2 - 10 mm ²
0,2 - 6 mm ²
1,5 mm ²
24-8
10-12
KTD 3 (0,6 x Ø3,5)

0,2 - 10 mm ²
0,2 - 6 mm ²
1,5 mm ²
24-8
10-12
KTD 3 (0,6 x Ø3,5)

End Block

Type	Order No	Qty.
KD3	495 049	100
KD4	495 059	100
KD7	495 210	50
KD8	495 229	50

Type	Order No	Qty.
KD3	495 049	100
KD4	495 059	100
KD7	495 210	50
KD8	495 229	50

End Plate


Type	Order No	Qty.
NPP/SRD 6	451 249	50

Type	Order No	Qty.
NPP/SRD 6 E	451 259	50

Partition Plate



Type	Order No	Qty.
APP/SRD 6	464 179	50

Type	Order No	Qty.
APP/SRD 6 E	464 189	50

Test Plug


Type	Order No	Qty.
TF Ø2,3	493 023	5

Type	Order No	Qty.
TF Ø2,3	493 023	5

Cross Connection


Type	Order No	Qty.
CS 6/2	470 122	25
CS 6/3	470 123	20
CS 6/4	470 124	15
CS 6/5	470 125	10
CS 6/10	470 129	5

Type	Order No	Qty.
CS 6/2	470 122	25
CS 6/3	470 123	20
CS 6/4	470 124	15
CS 6/5	470 125	10
CS 6/10	470 129	5

Technical Data
Rated Impulse Voltage / Pollution severity
Insulation material group / Gauge pin code according to IEC 60947-1
Protection class / Protection conductor type

8/3
1/A5
IP20/NA

8/3
1/A5
IP20/NA

Marking Tags (Dekafix)
See pages 326-333 for a list of Dekafix

D-NS 8x6, SLF-P1 W

D-NS 8x6, SLF-P1 W

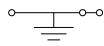
Package Quantity

50

50

SRD 6 ET

Width: 8 mm

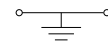


44,10
MF 35 x 7,5

96,80

SRD 6 T

Width: 8 mm



44,10
MF 35 x 7,5

72,50

Cat No:

337 220

Voltage, V ~	Current, A	Cross-Section
		6 mm ²
		AWG 24-8

0,2 - 10 mm ²
0,2 - 6 mm ²
1,5 mm ²
24-8
10-12
KTD 3 (0,6 x Ø3,5)

Type	Order No	Qty.
KD3	495 049	100
KD4	495 059	100
KD7	495 210	50
KD8	495 229	50

Type	Order No	Qty.
NPP/SRD 6 E	451 252T	50

Type	Order No	Qty.
APP/SRD 6 E	464 189	50

Type	Order No	Qty.
TF Ø2,3	493 023	5

8/3
1/A5
IP20/PE
D-NS 8x6, SLF-P1 W

50

Cat No:

337 210

Voltage, V ~	Current, A	Cross-Section
		6 mm ²
		AWG 24-8

0,2 - 10 mm ²
0,2 - 6 mm ²
1,5 mm ²
24-8
10-12
KTD 3 (0,6 x Ø3,5)

Type	Order No	Qty.
KD3	495 049	100
KD4	495 059	100
KD7	495 210	50
KD8	495 229	50

Type	Order No	Qty.
NPP/SRD 6	451 242 T	50

Type	Order No	Qty.
APP/SRD 6	464 179	50

Type	Order No	Qty.
TF Ø2,3	493 023	5

8/3
1/A5
IP20/PE
D-NS 8x6, SLF-P1 W

50

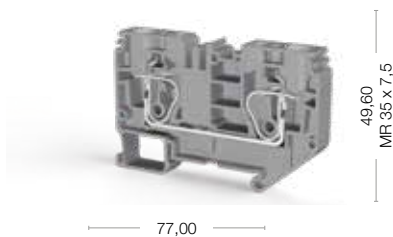
Color	Digit
Orange	7
White	6
Black	5
Red	4
Yellow	3
Green	2
Blue	1

Color code is the last digit of the order number

SRD 10

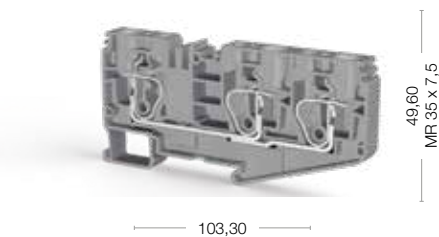
SRD 10

Width: 10 mm



SRD 10 E

Width: 10 mm



Cat No:

- 312 219
- 312 210

Cat No:

- 312 229
- 312 220



Electrical Ratings
IEC (EN 60947-7-1/EN 60947-7-2)
UL
VDE (IEC 60947-7-1)
CSA
ATEX

Voltage, V ~	Current, A	Cross-Section
1000	57	10 mm ²
600	60	AWG 20-6

Voltage, V ~	Current, A	Cross-Section
1000	57	10 mm ²
600	60	AWG 20-6

Connection Data
Conductor cross section solid (min.-max.)
Conductor cross section stranded (min.-max.)
2 conductors with same cross section, stranded, TWIN ferrules with plastic sleeve
AWG Conductor
Insulation Stripping Length (min.-max.)
Screwdriver

0,2 - 16 mm ²
0,2 - 10 mm ²
2,5 mm ²
24-6
16-18
KTD 4 (0,8 x Ø4,0)

0,2 - 16 mm ²
0,2 - 10 mm ²
2,5 mm ²
24-6
16-18
KTD 4 (0,8 x Ø4,0)

End Block

Type	Order No	Qty.
KD3	495 049	100
KD4	495 059	100
KD7	495 210	50
KD8	495 229	50

Type	Order No	Qty.
KD3	495 049	100
KD4	495 059	100
KD7	495 210	50
KD8	495 229	50

End Plate


Type	Order No	Qty.
NPP/SRD 10	451 279	50

Type	Order No	Qty.
NPP/SRD 10 E	451 299	50

Partition Plate


Type	Order No	Qty.
APP/SRD 10	464 199	50

Type	Order No	Qty.
APP/SRD 10 E	464 219	50

Test Plug


Type	Order No	Qty.
TF Ø2,3	493 023	5

Type	Order No	Qty.
TF Ø2,3	493 023	5

Cross Connection


Type	Order No	Qty.
CS 10/2	470 132	25
CS 10/3	470 133	20
CS 10/4	470 134	15
CS 10/5	470 135	10
CS 10/10	470 139	5

Type	Order No	Qty.
CS 10/2	470 132	25
CS 10/3	470 133	20
CS 10/4	470 134	15
CS 10/5	470 135	10
CS 10/10	470 139	5

Technical Data
Rated Impulse Voltage / Pollution severity
Insulation material group / Gauge pin code according to IEC 60947-1
Protection class / Protection conductor type

8/3
1/A6
IP20/NA

8/3
1/A6
IP20/NA

Marking Tags (Dekafix)
See pages 326-333 for a list of Dekafix

D-NS 10x6, SLF-P1 W

D-NS 10x6, SLF-P1 W

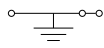
Package Quantity

50

50

SRD 10 ET

Width: 10 mm

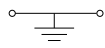


49,60
MP 35 x 7,5

103,30

SRD 10 T


Width: 10 mm



49,60
MP 35 x 7,5

77,00

Cat No:

 337 240

Voltage, V ~	Current, A	Cross-Section
		10 mm ²
		AWG 20-6

0,2 - 16 mm ²
0,2 - 10 mm ²
2,5 mm ²
24-6
16-18
KTD 4 (0,8 x Ø4,0)

Type	Order No	Qty.
KD3	495 049	100
KD4	495 059	100
KD7	495 210	50
KD8	495 229	50

Type	Order No	Qty.
NPP/SRD 10 E	451 292T	50

Type	Order No	Qty.
APP/SRD 10 E	464 219	50


Type	Order No	Qty.
TF Ø2,3	493 023	5

Type	Order No	Qty.

8/3
1/A6
IP20/NA
D-NS 10x6, SLF-P1 W

50

Cat No:

 337 230

Voltage, V ~	Current, A	Cross-Section
		10 mm ²
		AWG 20-6

0,2 - 16 mm ²
0,2 - 10 mm ²
2,5 mm ²
24-6
16-18
KTD 4 (0,8 x Ø4,0)

Type	Order No	Qty.
KD3	495 049	100
KD4	495 059	100
KD7	495 210	50
KD8	495 229	50

Type	Order No	Qty.
NPP/SRD 10	451 272 T	50

Type	Order No	Qty.
APP/SRD 10	464 199	50

Type	Order No	Qty.
TF Ø2,3	493 023	5

Type	Order No	Qty.

8/3
1/A6
IP20/NA
D-NS 10x6, SLF-P1 W

50

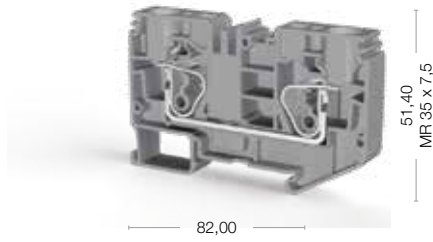
Color	Digit
Orange	7
White	6
Black	5
Red	4
Yellow	3
Green	2
Blue	1

Color code is the last digit of the order number

SRD 16

SRD 16

Width: 12 mm

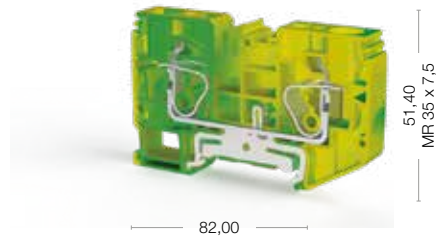
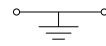


Cat No:

- 312 239
- 312 230

SRD 16 T

Width: 12 mm



Cat No:

- 337 250



Electrical Ratings
IEC (EN 60947-7-1/EN 60947-7-2)
UL
VDE (IEC 60947-7-1)
CSA
ATEX

Voltage, V ~	Current, A	Cross-Section
1000	76	16 mm ²
600	78	AWG 16-4

Voltage, V ~	Current, A	Cross-Section
		16 mm ²
		AWG 16-4

Connection Data
Conductor cross section solid (min.-max.)
Conductor cross section stranded (min.-max.)
2 conductors with same cross section, stranded, TWIN ferrules with plastic sleeve
AWG Conductor
Insulation Stripping Length (min.-max.)
Screwdriver

0,2 -25 mm ²
0,2 - 16 mm ²
2,5 mm ²
24-4
17
KTD 5 (1,0 x Ø5,5)

0,2 -25 mm ²
0,2 - 16 mm ²
2,5 mm ²
24-4
17
KTD 5 (1,0 x Ø5,5)

End Block

Type	Order No	Qty.
KD 3	495 049	100
KD 4	495 059	100
KD 7	495 210	50
KD 8	495 229	50

Type	Order No	Qty.
KD 3	495 049	100
KD 4	495 059	100
KD 7	495 210	50
KD 8	495 229	50

End Plate


Type	Order No	Qty.
NPP/SRD 16	451 289	50

Type	Order No	Qty.
NPP/SRD 16T	451 282T	50

Partition Plate


Type	Order No	Qty.
APP/SRD 16	464 209	50

Type	Order No	Qty.
APP/SRD 16	464 209	50

Test Plug


Type	Order No	Qty.
TF Ø2,3	493 023	5

Type	Order No	Qty.
TF Ø2,3	493 023	5

Cross Connection


Type	Order No	Qty.
CS 16/2	470 152	25

Technical Data
Rated Impulse Voltage / Pollution severity
Insulation material group / Gauge pin code according to IEC 60947-1
Protection class / Protection conductor type
Marking Tags (Dekafix)
See pages 326-333 for a list of Dekafix

8/3
1/A7
IP20/NA
D-NS 12x6, SLF-P1 W

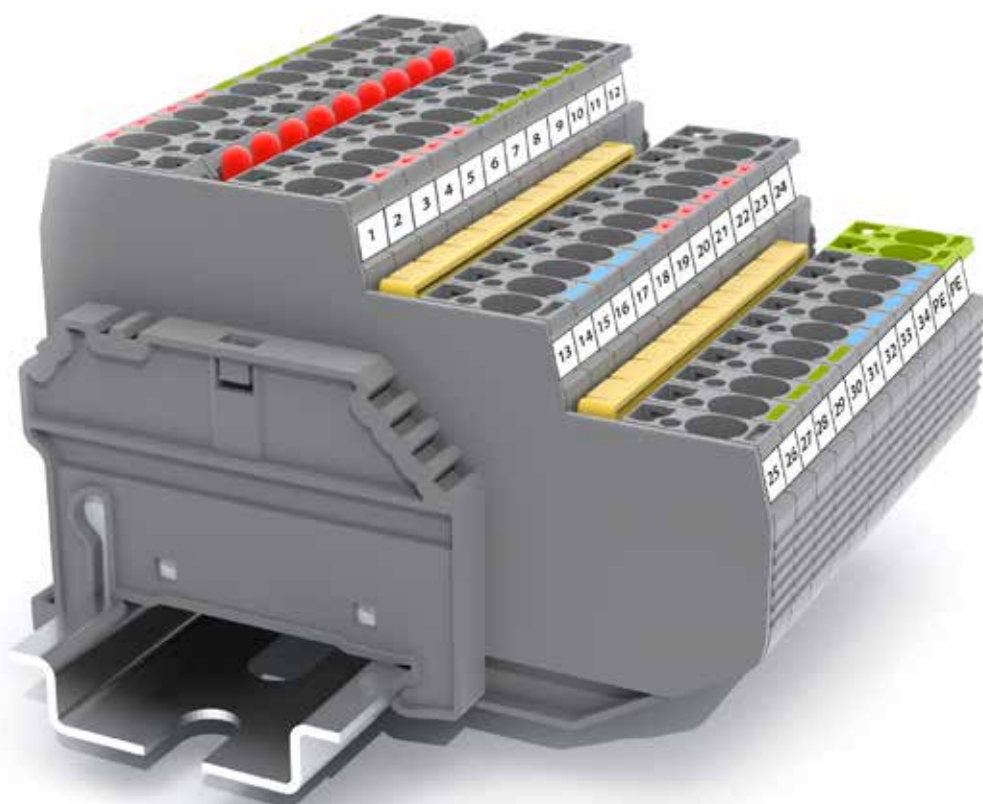
8/3
1/A7
IP20/NA
D-NS 12x6, SLF-P1 W

Package Quantity

50

50

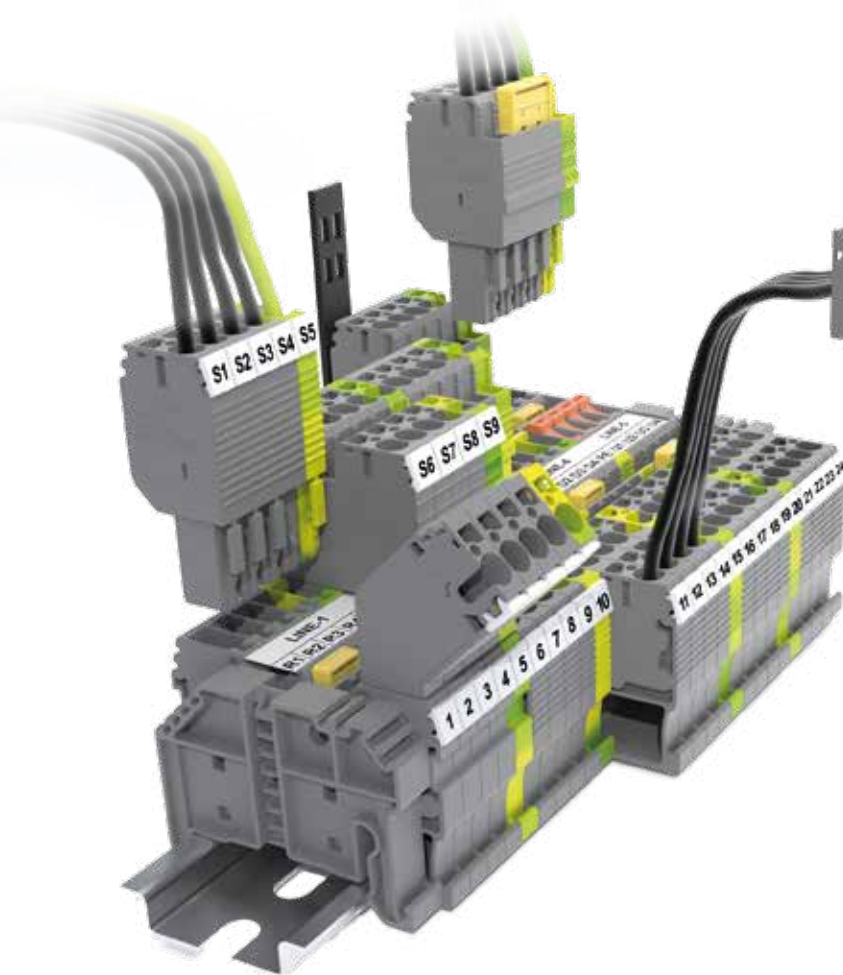
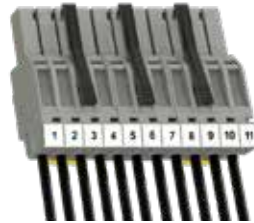
Color						
Color code is the last digit of the order number						
Blue	Green	Yellow	Red	Black	White	Orange
1	2	3	4	5	6	7





DIN Rail Mounting

Airborne connection terminals can be used on DIN rails as well as the other rail terminals with different sized structures.



Klemsan StoP terminal blocks are **highly recommended** for **LIFT / ELEVATOR INDUSTRY** applications; also for **RAILWAY TRANSPORTATION** and **MARINE INDUSTRIES** as well.

By using our brand new series Klemsan StoP Terminal Blocks, you can easily build your signal or power circuits with plugs and sockets. Besides DIN Rail mount types, you can also make coupling of terminals without any DIN Rail fixing. The new StoP terminals enable users to intervene energy breakdowns quickly, making tests faster and safer.

- By using pin locks, user can match the right plugs and sockets. This prevents misconnection.
- Plugs and sockets can be purchased separately to make customized sets.
- Same cross-connectors can be used for both terminals and sockets.
- User can use either strip labels or marking tags for the proper marking of the terminal block set.

Custom Solutions for Processes



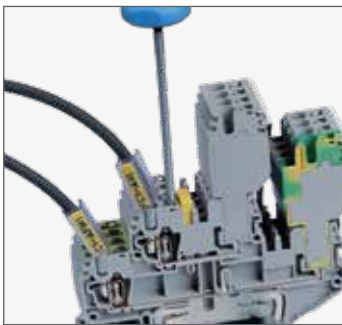
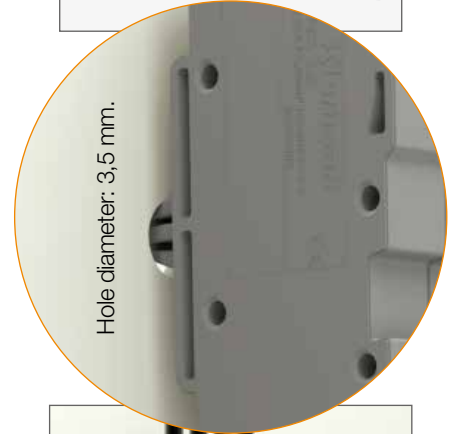
Cross-Connection

It is possible to make dual cross-connections on terminals and same cross-connectors can also be used for sockets. You may use permanent markers to indicate poles on cross-connectors.



Socket Locks

Extra optional locks prevent your circuits from excessive vibrations. Sockets can be removed from terminals by simply pushing the clip upwards.



Wire Assembly for Terminals

Wires can be assembled quickly and easily by opening the spring cage with the suitable screwdriver.



Cable Tie Mount

You can use a cable tie to hold all cables together assembled to the socket by using cable tie mount.



Airborne Connection

Airborne connection terminals can be used for making quick and safe connections inside the panels or installation ducts.

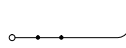


Pin Coding

Use orange pins on terminals to prevent the misconnection of sockets.

CTP 2.5

Width: 5,2 mm

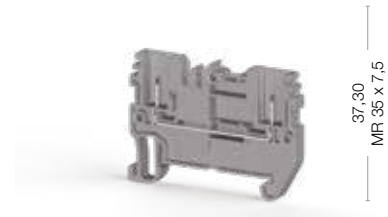
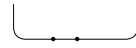


Cat No: 51,60

- 310 129
- 310 120
- 310 121

PTP 2.5

Width: 5,2 mm



Cat No: 51,60

- 310 109
- 310 100
- 310 101



Electrical Ratings	Voltage, V ~	Current, A	Cross-Section	Voltage, V ~	Current, A	Cross-Section
IEC (EN 60947-7-1/EN 60947-7-2)	500	24	2,5 mm ²	500	24	2,5 mm ²
UL	300	20	AWG 28-12	300	20	AWG 28-12
VDE (IEC 60947-7-1)						
CSA						
ATEX						

Connection Data	CTP 2.5			PTP 2.5		
Conductor cross section solid (min.-max.)	0,08 - 4 mm ²			0,08 - 4 mm ²		
Conductor cross section stranded (min.-max.)	0,14 - 2,5 mm ²			0,14 - 2,5 mm ²		
2 conductors with same cross section, stranded, TWIN ferrules with plastic sleeve	0,5 mm ²			0,5 mm ²		
AWG Conductor	28-12			28-12		
Insulation Stripping Length (min.-max.)	8-10 mm			8-10 mm		
Screwdriver						

End Plate	Type	Order No	Qty.	Type	Order No	Qty.
	NPP/CTP 2,5	451 059	50	NPP/CTP 2,5	451 059	50

Partition Plate	Type	Order No	Qty.	Type	Order No	Qty.
	APP/SRD 2,5	464 029	50	APP/SRD 2,5	464 029	50

Test Plug	Type	Order No	Qty.	Type	Order No	Qty.

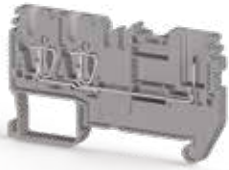
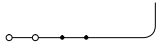
Cross Connection	Type	Order No	Qty.	Type	Order No	Qty.
	CS 2,5 / 2	470 102	25	CS 2,5 / 2	470 102	25
	CS 2,5 / 3	470 103	20	CS 2,5 / 3	470 103	20
	CS 2,5 / 4	470 104	15	CS 2,5 / 4	470 104	15
	CS 2,5 / 5	470 105	10	CS 2,5 / 5	470 105	10
	CS 2,5 / 10	470 109	5	CS 2,5 / 10	470 109	5
	CS 2,5 / 20	470 170	10	CS 2,5 / 20	470 170	10

Technical Data	CTP 2.5	PTP 2.5
Rated Impulse Voltage / Pollution severity	6/3	6/3
Insulation material group / Gauge pin code according to IEC 60947-1	1/A3	1/A3
Protection class / Protection conductor type	IP20/NA	IP20/NA
Marking Tags (Dekafix)		
See pages 326-333 for a list of Dekafix	D-NS 5,2x6, SLF-P1 W	D-NS 5,2x6, SLF-P1 W

Package Quantity	CTP 2.5	PTP 2.5
	50	50

CTP 2.5 E

Width: 5,2 mm



37,30
MR 35
x 7,5

Cat No:

65,00

- 310 139
- 310 130
- 310 131

Voltage, V ~	Current, A	Cross-Section
500	24	2,5 mm ²
300	20	AWG 28-12

0,08 - 4 mm ²
0,14 - 2,5 mm ²
0,5 mm ²
28-12
8-10 mm

Type	Order No	Qty.
NPP/CTP 2,5	451 089	50

Type	Order No	Qty.
APP/CTP 2,5E	464 039	50

Type	Order No	Qty.

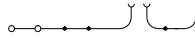
Type	Order No	Qty.
CS 2,5 / 2	470 102	25
CS 2,5 / 3	470 103	20
CS 2,5 / 4	470 104	15
CS 2,5 / 5	470 105	10
CS 2,5 / 10	470 109	5
CS 2,5 / 20	470 170	10

6/3
1/A3
IP20/NA
D-NS 5,2x6, SLF-P1 W

50

CTP 2.5 EA

Width: 5,2 mm



37,30
MR 35
x 7,5

Cat No:

85,50

310 159

Voltage, V ~	Current, A	Cross-Section
400	20	2,5 mm ²
300	20	AWG 28-12

0,08 - 4 mm ²
0,14 - 2,5 mm ²
0,5 mm ²
28-12
8-10 mm

Type	Order No	Qty.
NPP/CTP 2,5 C	451 099	50

Type	Order No	Qty.
APP/CTP 2,5C	464 049	50

Type	Order No	Qty.

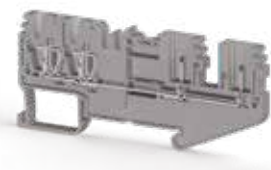
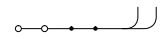
Type	Order No	Qty.
CS 2,5 / 2	470 102	25
CS 2,5 / 3	470 103	20
CS 2,5 / 4	470 104	15
CS 2,5 / 5	470 105	10
CS 2,5 / 10	470 109	5
CS 2,5 / 20	470 170	10

6/3
1/A3
IP20/NA
D-NS 5,2x6, SLF-P1 W

50

CTP 2.5 C

Width: 5,2 mm



37,30
MR 35
x 7,5

Cat No:

85,60

310 149

Voltage, V ~	Current, A	Cross-Section
500	24	2,5 mm ²
300	20	AWG 28-12

0,08 - 4 mm ²
0,14 - 2,5 mm ²
0,5 mm ²
28-12
8-10 mm

Type	Order No	Qty.
NPP/CTP 2,5 C	451 099	50

Type	Order No	Qty.
APP/CTP 2,5C	464 049	50

Type	Order No	Qty.

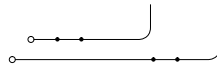
Type	Order No	Qty.
CS 2,5 / 2	470 102	25
CS 2,5 / 3	470 103	20
CS 2,5 / 4	470 104	15
CS 2,5 / 5	470 105	10
CS 2,5 / 10	470 109	5
CS 2,5 / 20	470 170	10

6/3
1/A3
IP20/NA
D-NS 5,2x6, SLF-P1 W

50

CTP 2.5-2F

Width: 5,2 mm

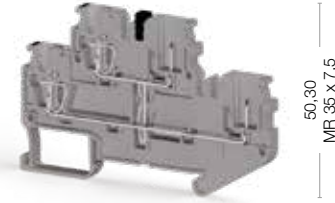


50,30
MR 35 x 7,5

Cat No: 79,20

CTP 2.5-2FK

Width: 5,2 mm



50,30
MR 35 x 7,5

Cat No: 79,20

- 310 169
- 310 160
- 310 161

- 310 179



Electrical Ratings
IEC (EN 60947-7-1/EN 60947-7-2)
UL
VDE (IEC 60947-7-1)
CSA
ATEX

Voltage, V ~	Current, A	Cross-Section
500	24	2,5 mm ²
300	20	AWG 28-12

Voltage, V ~	Current, A	Cross-Section
500	24	2,5 mm ²
300	20	AWG 28-12

Connection Data
Conductor cross section solid (min.-max.)
Conductor cross section stranded (min.-max.)
2 conductors with same cross section, stranded, TWIN ferrules with plastic sleeve
AWG Conductor
Insulation Stripping Length (min.-max.)
Screwdriver

0,08 - 4 mm ²
0,14 - 2,5 mm ²
0,5 mm ²
28-12
8-10 mm

0,08 - 4 mm ²
0,14 - 2,5 mm ²
0,5 mm ²
28-12
8-10 mm



Type	Order No	Qty.
NPP/CTP 2,5 F	451 079	25

Type	Order No	Qty.
NPP/CTP 2,5 F	451 079	25



Type	Order No	Qty.
APP/SRD 2,5-2F	464 069	50

Type	Order No	Qty.
APP/SRD 2,5-2F	464 069	50



Type	Order No	Qty.
TF02	493 020	5

Type	Order No	Qty.
TF02	493 020	5



Type	Order No	Qty.
CS 2,5 / 2	470 102	25
CS 2,5 / 3	470 103	20
CS 2,5 / 4	470 104	15
CS 2,5 / 5	470 105	10
CS 2,5 / 10	470 109	5
CS 2,5 / 20	470 170	10

Type	Order No	Qty.
CS 2,5 / 2	470 102	25
CS 2,5 / 3	470 103	20
CS 2,5 / 4	470 104	15
CS 2,5 / 5	470 105	10
CS 2,5 / 10	470 109	5
CS 2,5 / 20	470 170	10

Technical Data
Rated Impulse Voltage / Pollution severity
Insulation material group / Gauge pin code according to IEC 60947-1
Protection class / Protection conductor type
Marking Tags (Dekafix)
See pages 326-333 for a list of Dekafix

6/3
1/A3
IP20/NA
D-NS 5,2x6, SLF-P2 W

6/3
1/A3
IP20/NA
D-NS 5,2x6, SLF-P2 W

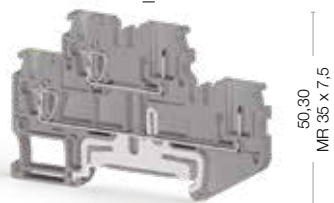
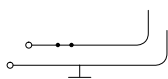
Package Quantity
50

50

50

CTP 2.5-FT

Width: 5,2 mm

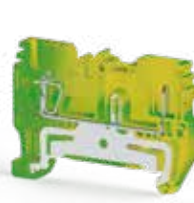
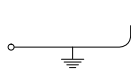


50,30
MR 35 x 7,5

79,20

CTP 2.5 T

Width: 5,2 mm

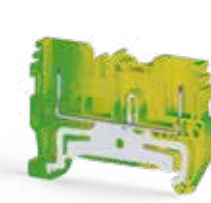
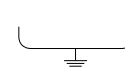


37,30
MR 35 x 7,5

51,60

PTP 2.5 T

Width: 5,2 mm



37,30
MR 35 x 7,5

51,60

Cat No:

310 189

Voltage, V ~	Current, A	Cross-Section
500	24	2,5 mm ²
300	20	AWG 28-12

0,08 - 4 mm ²		
0,14 - 2,5 mm ²		
0,5 mm ²		
28-12		
8-10 mm		

Type	Order No	Qty.
NPP/CTP 2,5 F	451 079	25

Type	Order No	Qty.
APP/SRD 2,5-2F	464 069	50

Type	Order No	Qty.
TF02	493 020	5

Type	Order No	Qty.
CS 2,5 / 2	470 102	25
CS 2,5 / 3	470 103	20
CS 2,5 / 4	470 104	15
CS 2,5 / 5	470 105	10
CS 2,5 / 10	470 109	5
CS 2,5 / 20	470 170	10

6/3		
1/A3		
IP20/NA/PE		
D-NS 5,2x6, SLF-P2 W		

50

Cat No:

337 040

Voltage, V ~	Current, A	Cross-Section
		2,5 mm ²
		AWG 28-12

0,08 - 4 mm ²		
0,14 - 2,5 mm ²		
0,5 mm ²		
28-12		
8-10 mm		

Type	Order No	Qty.
NPP/CTP 2,5 T	451 052 T	50

Type	Order No	Qty.
APP/SRD 2,5	464 029	50

Type	Order No	Qty.
TF02	493 020	5

Type	Order No	Qty.

6/3		
1/A3		
IP20/PE		
D-NS 5,2x6, SLF-P2 W		

50

Cat No:

337 020

Voltage, V ~	Current, A	Cross-Section
		2,5 mm ²
		AWG 28-12

0,08 - 4 mm ²		
0,14 - 2,5 mm ²		
0,5 mm ²		
28-12		
8-10 mm		

Type	Order No	Qty.
NPP/CTP 2,5 T	451 052 T	50

Type	Order No	Qty.
APP/SRD 2,5	464 029	50

Type	Order No	Qty.
TF02	493 020	5

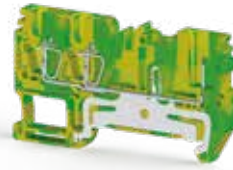
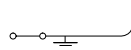
Type	Order No	Qty.

6/3		
1/A3		
IP20/PE		
D-NS 5,2x6, SLF-P2 W		

50

CTP 2.5 ET

Width: 5,2 mm

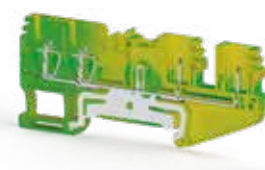
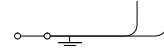


37,30
MR 35 x 7,5

65,00

CTP 2.5 CT

Width: 5,2 mm



37,30
MR 35 x 7,5

85,60

Cat No:

337 050

Cat No:

337 060



Electrical Ratings
IEC (EN 60947-7-1/EN 60947-7-2)
UL
VDE (IEC 60947-7-1)
CSA
ATEX

Voltage, V ~	Current, A	Cross-Section
		2,5 mm ²
		AWG 28-12

Voltage, V ~	Current, A	Cross-Section
		2,5 mm ²
		AWG 28-12

Connection Data
Conductor cross section solid (min.-max.)
Conductor cross section stranded (min.-max.)
2 conductors with same cross section, stranded, TWIN ferrules with plastic sleeve
AWG Conductor
Insulation Stripping Length (min.-max.)
Screwdriver

Conductor cross section solid (min.-max.)	Conductor cross section stranded (min.-max.)	2 conductors with same cross section, stranded, TWIN ferrules with plastic sleeve	AWG Conductor	Insulation Stripping Length (min.-max.)
	0,08 - 4 mm ²			
	0,14 - 2,5 mm ²			
	0,5 mm ²			
	28-12			
	8-10 mm			

Conductor cross section solid (min.-max.)	Conductor cross section stranded (min.-max.)	2 conductors with same cross section, stranded, TWIN ferrules with plastic sleeve	AWG Conductor	Insulation Stripping Length (min.-max.)
	0,08 - 4 mm ²			
	0,14 - 2,5 mm ²			
	0,5 mm ²			
	28-12			
	8-10 mm			

Technical Data For Diode
Diode Reverse Voltage
Diode Current
Diod

End Plate

Type	Order No	Qty.
NPP/CTP 2,5 ET	451 082 T	50

Type	Order No	Qty.
NPP/CTP 2,5 CT	451 092 T	50

Partition Plate

Type	Order No	Qty.
APP/CTP 2,5E	464 039	50

Type	Order No	Qty.

Test Plug

Type	Order No	Qty.
TF02	493 020	5

Type	Order No	Qty.

Technical Data
Rated Impulse Voltage / Pollution severity
Insulation material group / Gauge pin code according to IEC 60947-1
Protection class / Protection conductor type
Marking Tags (Dekafix)
See pages 326-333 for a list of Dekafix

6/3
1/A3
IP20/PE
D-NS 5,2x6, SLF-P1 W

6/3
1/A3
IP20/PE
D-NS 5,2x6, SLF-P1 W

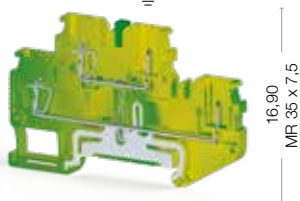
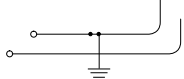
Package Quantity

50

50

CTP 2.5-2T

Width: 5,2 mm



16,90
MR 35 x 7,5

65,00

Cat No: 41,70

SC-PTR 2.5

Width: 5,2 mm



33,20
MR 35 x 7,5

Cat No: 41,70

SC-PT 2.5

Width: 5,2 mm



35,00

Cat No: 16,90

SC-PTS 2.5

Width: 5,2 mm



35,00

Cat No: 16,90

Cat No:

337 070

310 949
310 940
310 941

310 929
310 920
310 921

310 939
310 930
310 931

Voltage, V ~	Current, A	Cross-Section
		2,5 mm ²
		AWG 28-12

Voltage, V ~	Current, A	Cross-Section
500	20	2,5 mm ²
300	20	AWG 28-12

Voltage, V ~	Current, A	Cross-Section
500	24	2,5 mm ²
300	20	AWG 28-12

Voltage, V ~	Current, A	Cross-Section
500	24	2,5 mm ²
300	20	AWG 28-12

0,08 - 4 mm ²
0,14 - 2,5 mm ²
0,5 mm ²
28-12
8-10 mm

0,08 - 4 mm ²
0,14 - 2,5 mm ²
0,5 mm ²
28-12
8-10 mm

0,08 - 4 mm ²
0,14 - 2,5 mm ²
0,5 mm ²
28-12
8-10 mm

0,08 - 4 mm ²
0,14 - 2,5 mm ²
0,5 mm ²
28-12
8-10 mm

Type	Order No	Qty.
NPP/CTP 2,5 2T	451 072 T	25

Type	Order No	Qty.
NPP/SC-PT 2,5	451 119	50

Type	Order No	Qty.
NPP/SC-PT 2,5	451 119	50

Type	Order No	Qty.
NPP/SC-PT 2,5	451 119	50

Type	Order No	Qty.
APP/SRD 2,5 2F	464 069	50

Type	Order No	Qty.

Type	Order No	Qty.

Type	Order No	Qty.

Type	Order No	Qty.
TF02	493 020	5

Type	Order No	Qty.
TF02	493 020	5

Type	Order No	Qty.
TF02	493 020	5

Type	Order No	Qty.
TF02	493 020	5

6/3
1/A3
IP20/PE
D-NS 5,2x6, SLF-P1 W

6/3
1/A3
IP20/NA
D-NS 5,2x6, SLF-P1 W

6/3
1/A3
IP20/NA
D-NS 5,2x6, SLF-P1 W

6/3
1/A3
IP20/NA
D-NS 5,2x6, SLF-P1 W

50

50

50

50

• Can be used with Klemsan products only • Can be used with Klemsan products only • Can be used with Klemsan products only

Series Terminals

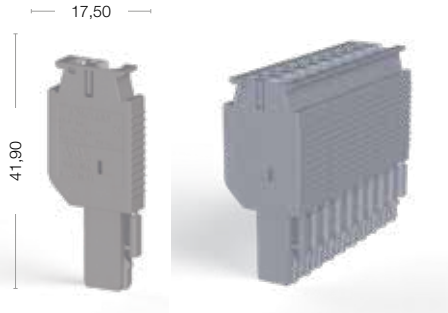
CTP: Clamp to Pin,
PTP: Pin to Pin

• Can be used with Klemmsan products only



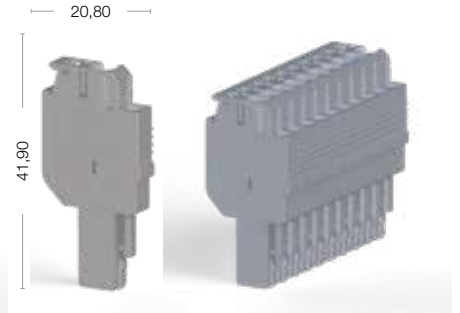
SG-PT 2.5

Width: 5,2 mm



SG-PT 2.5 CS

Width: 5,2 mm



Electrical Ratings
CE (IEC 61984 / IEC 60947-7-1)
UL

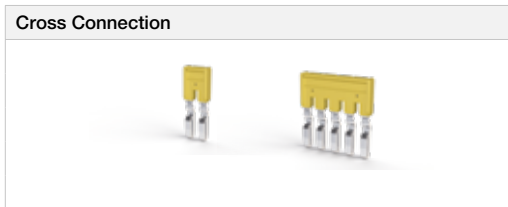
Voltage, V ~	Current, A	Cross-Section
500	24	2,5 mm ²
300	20	AWG 28-12

Voltage, V ~	Current, A	Cross-Section
500	24	2,5 mm ²
300	20	AWG 28-12

Connection Data
Conductor cross section solid (min.-max.)
Conductor cross section stranded (min.-max.)
2 conductors with same cross section, stranded, TWIN ferrules with plastic sleeve
AWG Conductor
Insulation Stripping Length (min.-max.)

0,08 - 4 mm ²
0,14 - 2,5 mm ²
0,5 mm ²
28-12
8-10 mm

0,08 - 4 mm ²
0,14 - 2,5 mm ²
0,5 mm ²
28-12
8-10 mm



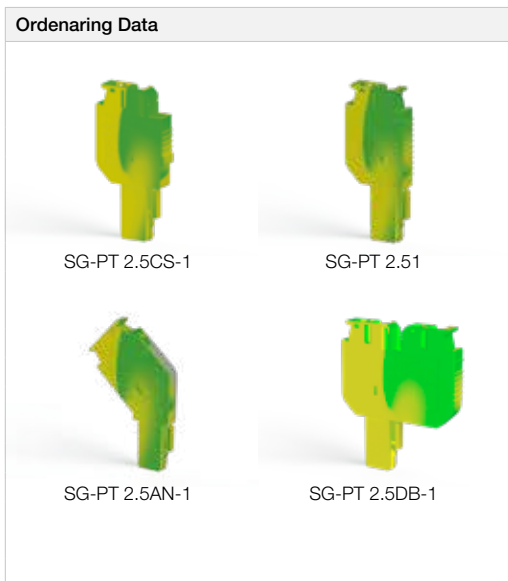
Type	Order No	Qty.
CS 2,5 / 2	470 102	25
CS 2,5 / 3	470 103	20
CS 2,5 / 4	470 104	15
CS 2,5 / 5	470 105	10
CS 2,5 / 10	470 109	5

Type	Order No	Qty.
CS 2,5 / 2	470 102	25
CS 2,5 / 3	470 103	20
CS 2,5 / 4	470 104	15
CS 2,5 / 5	470 105	10
CS 2,5 / 10	470 109	5

Technical Data
Rated Impulse Voltage / Pollution severity
Insulation material group / Gauge pin code according to IEC 60947-1
Protection class / Protection conductor type

6/3
1/A3
IP 20 / -

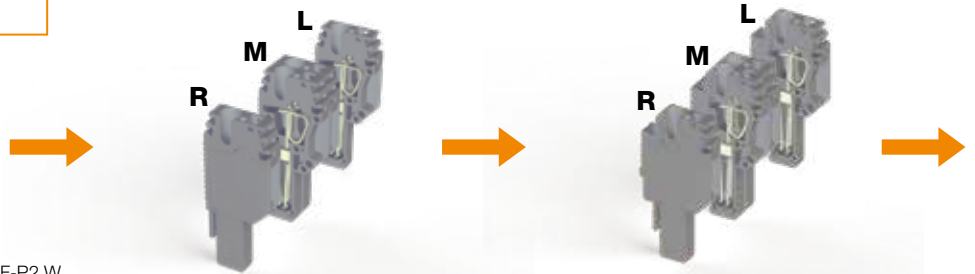
6/3
1/A3
IP 20 / -



Type	Order No	Qty.
SG-PT 2.5-1	310 209	50
SG-PT 2.5-2	310 219	50
SG-PT 2.5-3	310 229	50
SG-PT 2.5-4	310 239	50
SG-PT 2.5-5	310 249	50
SG-PT 2.5-6	310 259	25
SG-PT 2.5-7	310 269	25
SG-PT 2.5-8	310 279	25
SG-PT 2.5-9	310 289	25
SG-PT 2.5-10	310 299	25
SG-PT 2.5-11	310 309	10
SG-PT 2.5-12	310 319	10
SG-PT 2.5-13	310 329	10
SG-PT 2.5-14	310 339	10
SG-PT 2.5-15	310 349	10
SG-PT 2.5-1	310 202T	50
SG-PT 2.5-1L	310 352T	50
SG-PT 2.5G-1M	310 362T	50
SG-PT 2.5G-1R	310 372T	50

Type	Order No	Qty.
SG-PT 2.5CS-1	310 389	50
SG-PT 2.5CS-2	310 399	50
SG-PT 2.5CS-3	310 409	50
SG-PT 2.5CS-4	310 419	50
SG-PT 2.5CS-5	310 429	50
SG-PT 2.5CS-6	310 439	25
SG-PT 2.5CS-7	310 449	25
SG-PT 2.5CS-8	310 459	25
SG-PT 2.5CS-9	310 469	25
SG-PT 2.5CS-10	310 479	25
SG-PT 2.5CS-11	310 489	10
SG-PT 2.5CS-12	310 499	10
SG-PT 2.5CS-13	310 509	10
SG-PT 2.5CS-14	310 519	10
SG-PT 2.5CS-15	310 529	10
SG-PT 2.5CS-1	310 382T	50
SG-PT 2.5CS-1L	310 532T	50
SG-PT 2.5GCS-1M	310 542T	50
SG-PT 2.5GCS-1R	310 552T	50

Just combine single units of **L-R** products for left and right ends, add desired quantities of **M** products in-between to make your custom sockets.

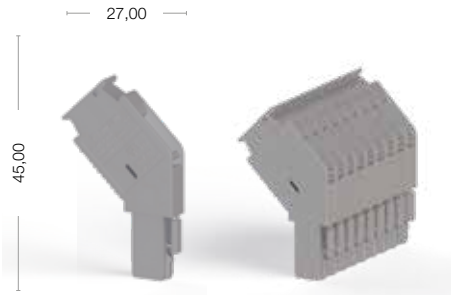


Marking Tags (Dekafix):

See pages 326-333 for usage of Dekafix / D-NS 5,2x6, SLF-P2 W

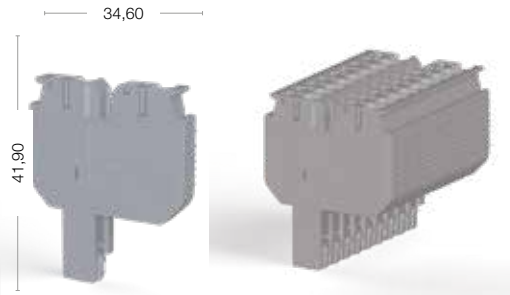
SG-PT 2.5 AN

Width: 5,2 mm



SG-PT 2.5 DB

Width: 5,2 mm



Voltage, V ~	Current, A	Cross-Section
500	24	2,5 mm ²
300	20	AWG 28-12

0,08 - 4 mm ²
0,14 - 2,5 mm ²
0,5 mm ²
28-12
8-10 mm

Type	Order No	Qty.

6/3
1/A3
IP 20 / -

Type	Order No	Qty.
SG-PT 2.5AN-1	310 749	50
SG-PT 2.5AN-2	310 759	50
SG-PT 2.5AN-3	310 769	50
SG-PT 2.5AN-4	310 779	50
SG-PT 2.5AN-5	310 789	50
SG-PT 2.5AN-6	310 799	25
SG-PT 2.5AN-7	310 809	25
SG-PT 2.5AN-8	310 819	25
SG-PT 2.5AN-9	310 829	25
SG-PT 2.5AN-10	310 839	25
SG-PT 2.5AN-11	310 849	10
SG-PT 2.5AN-12	310 859	10
SG-PT 2.5AN-13	310 869	10
SG-PT 2.5AN-14	310 879	10
SG-PT 2.5AN-15	310 889	10
SG-PT 2.5AN-1	310 742T	50
SG-PT 2.5AN-1L	310 892T	50
SG-PT 2.5GAN-1M	310 902T	50
SG-PT 2.5GAN-1R	310 912T	50

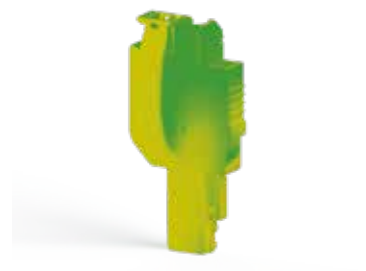
Voltage, V ~	Current, A	Cross-Section
500	24	2,5 mm ²
300	20	AWG 28-12

0,08 - 4 mm ²
0,14 - 2,5 mm ²
0,5 mm ²
28-12
8-10 mm

Type	Order No	Qty.
CS 2,5 / 2	470 102	25
CS 2,5 / 3	470 103	20
CS 2,5 / 4	470 104	15
CS 2,5 / 5	470 105	10
CS 2,5 / 10	470 109	5

6/3
1/A3
IP 20 / -

Type	Order No	Qty.
SG-PT 2.5DB-1	310 569	50
SG-PT 2.5DB-2	310 579	50
SG-PT 2.5DB-3	310 589	50
SG-PT 2.5DB-4	310 599	50
SG-PT 2.5DB-5	310 609	50
SG-PT 2.5DB-6	310 619	25
SG-PT 2.5DB-7	310 629	25
SG-PT 2.5DB-8	310 639	25
SG-PT 2.5DB-9	310 649	25
SG-PT 2.5DB-10	310 659	25
SG-PT 2.5DB-11	310 669	10
SG-PT 2.5DB-12	310 679	10
SG-PT 2.5DB-13	310 689	10
SG-PT 2.5DB-14	310 699	10
SG-PT 2.5DB-15	310 709	10
SG-PT 2.5DB-1	310 562T	50
SG-PT 2.5DB-1L	310 712T	50
SG-PT 2.5GDB-1M	310 722T	50
SG-PT 2.5GDB-1R	310 732T	50



SG-PT 2.5AN-1 L

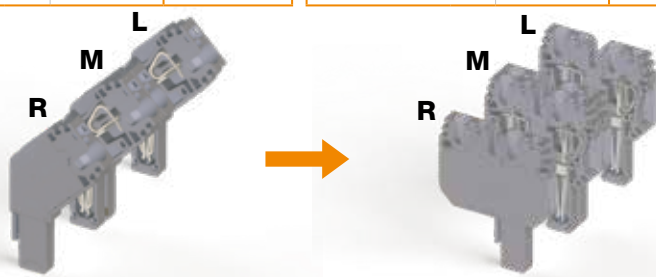










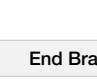


SG-PT 2.5GAN-1M








SG-PT 2.5GDB-1M

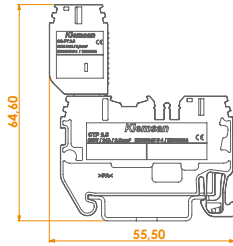
• Can be used with Klemisan products only



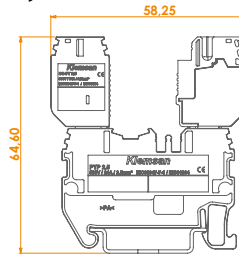
Type		Compatible Products
Socket Locks		
SG-L 469 005 📦 50 Qty.		SG-PT 2.5 SG-PT 2.5CS SG-PT 2.5AN SG-PT 2.5DB
SG-L2 469 015 📦 50 Qty.		
Pin Lock		
SG-N 469 027 📦 50 Qty.		CTP 2.5 PTP 2.5 CTP 2.5E CTP 2.5EA CTP 2.5C CTP 2.5-2F CTP 2.5-2FK CTP 2.5-FT CTP 2.5T PTP 2.5T CTP 2.5ET CTP 2.5CT CTP 2.5-2T
Cable Tie Holder		
SG-P 469 035 📦 100 Qty.		SG-PT 2.5 SG-PT 2.5CS SG-PT 2.5AN SG-PT 2.5DB
Cross-Connection		
SRD K2.5 470 201 📦 100 Qty.		CTP 2.5-2F CTP 2.5-FT
SRD K2.5 470 202 📦 100 Qty.		
Seperation Plates		
APP/SRD CTP 2.5 464 029 📦 50 Qty.		CTP 2.5 PTP 2.5 CTP 2.5T PTP 2.5T
APP/CTP 2.5E 464 039 📦 50 Qty.		CTP 2.5E
APP/CTP 2.5C 464 049 📦 50 Qty.		CTP 2.5C
APP/SRD CTP 2.5-2F 464 069 📦 25 Qty.		CTP 2.5-2FK CTP 2.5-FT CTP 2.5-2F CTP 2.5-2T
End Brackets		
KD 3 / NM 497 009		CTP 2.5 PTP 2.5 CTP 2.5E CTP 2.5EA CTP 2.5C CTP 2.5-2F CTP 2.5-2FK CTP 2.5-FT CTP 2.5T PTP 2.5T CTP 2.5ET CTP 2.5CT CTP 2.5-2T
KD 4 / NM 497 069		

Type		Compatible Products
Rails		
MR35X7.5 (1m) 500 601 📦 20 Qty.		CTP 2.5 PTP 2.5 CTP 2.5E CTP 2.5EA CTP 2.5C CTP 2.5-2F CTP 2.5-2FK CTP 2.5-FT CTP 2.5T PTP 2.5T CTP 2.5ET CTP 2.5CT CTP 2.5-2T SC-PTR 2.5
MR35X7.5 Slotted (1m) 500 602 📦 20 Qty.		
MR35X15 (1m) 500 606 📦 10 Qty.		
MR35X15 Slotted (1m) 500 607 📦 10 Qty.		
Marking		
SLF-P1 W 1020 100 📦 1 Qty.		CTP 2.5 PTP 2.5 CTP 2.5E CTP 2.5EA CTP 2.5C CTP 2.5T PTP 2.5T CTP 2.5ET CTP 2.5CT
DG 6/5 505 330 📦 440 Qty.		Compatible with all StoP products.
D-NS 5,2x6 810 450 📦 720 Qty.		Compatible with all StoP products.
Test Plug		
TF02 493 020 📦 50 Qty.		CTP 2.5 CTP 2.5E CTP 2.5EA CTP 2.5C CTP 2.5-2F CTP 2.5-2FK CTP 2.5-FT CTP 2.5T CTP 2.5ET CTP 2.5CT CTP 2.5-2T SG-PT 2.5 SG-PT 2.5CS SG-PT 2.5AN SG-PT 2.5DB
Screwdriver		
KTD 1 561 130 📦 10 Qty.		Compatible with all StoP products.

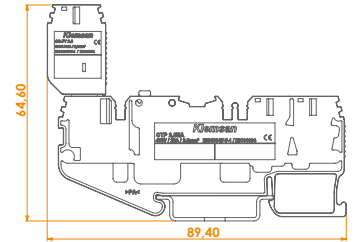
CTP 2,5



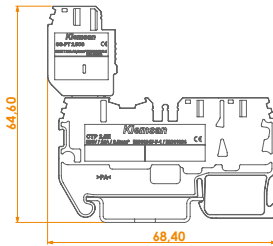
PTP 2,5



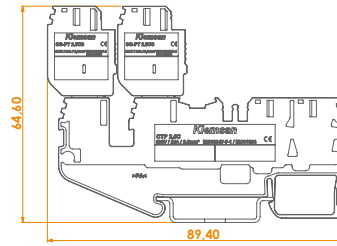
CTP 2,5EA



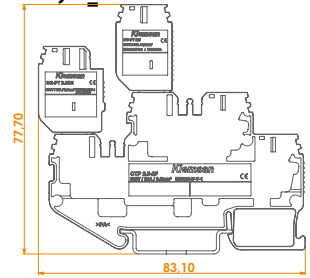
CTP 2,5E



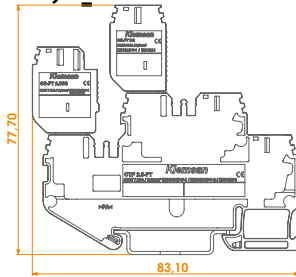
CTP 2,5C



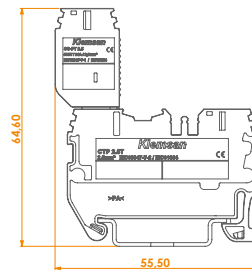
CTP 2,5 2F



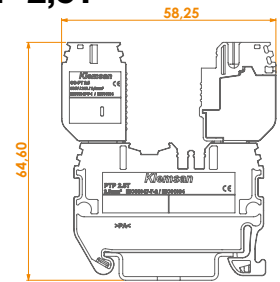
CTP 2,5 2FT



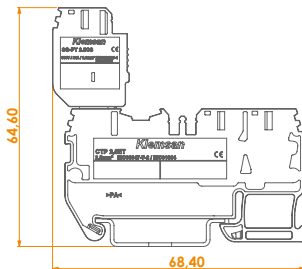
CTP 2,5T



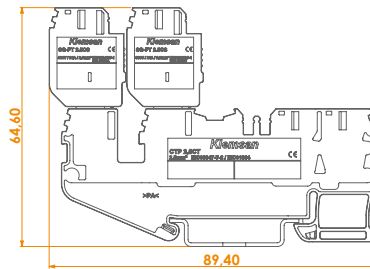
PTP 2,5T



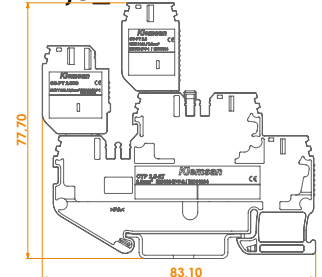
CTP 2,5ET



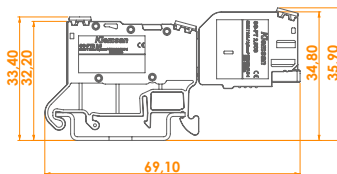
CTP 2,5CT



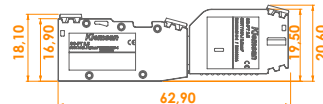
CTP 2,5 2T



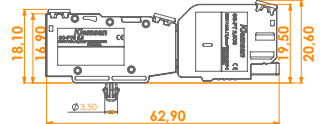
SC-PTR 2,5



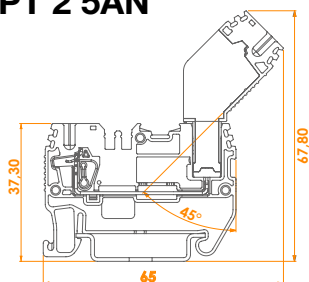
SC-PT 2,5



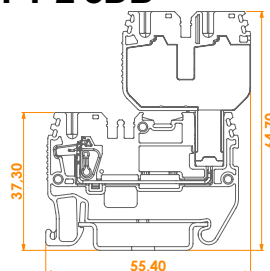
SC-PTS 2,5



SC_PT 2 5AN



SG_PT 2 5DB

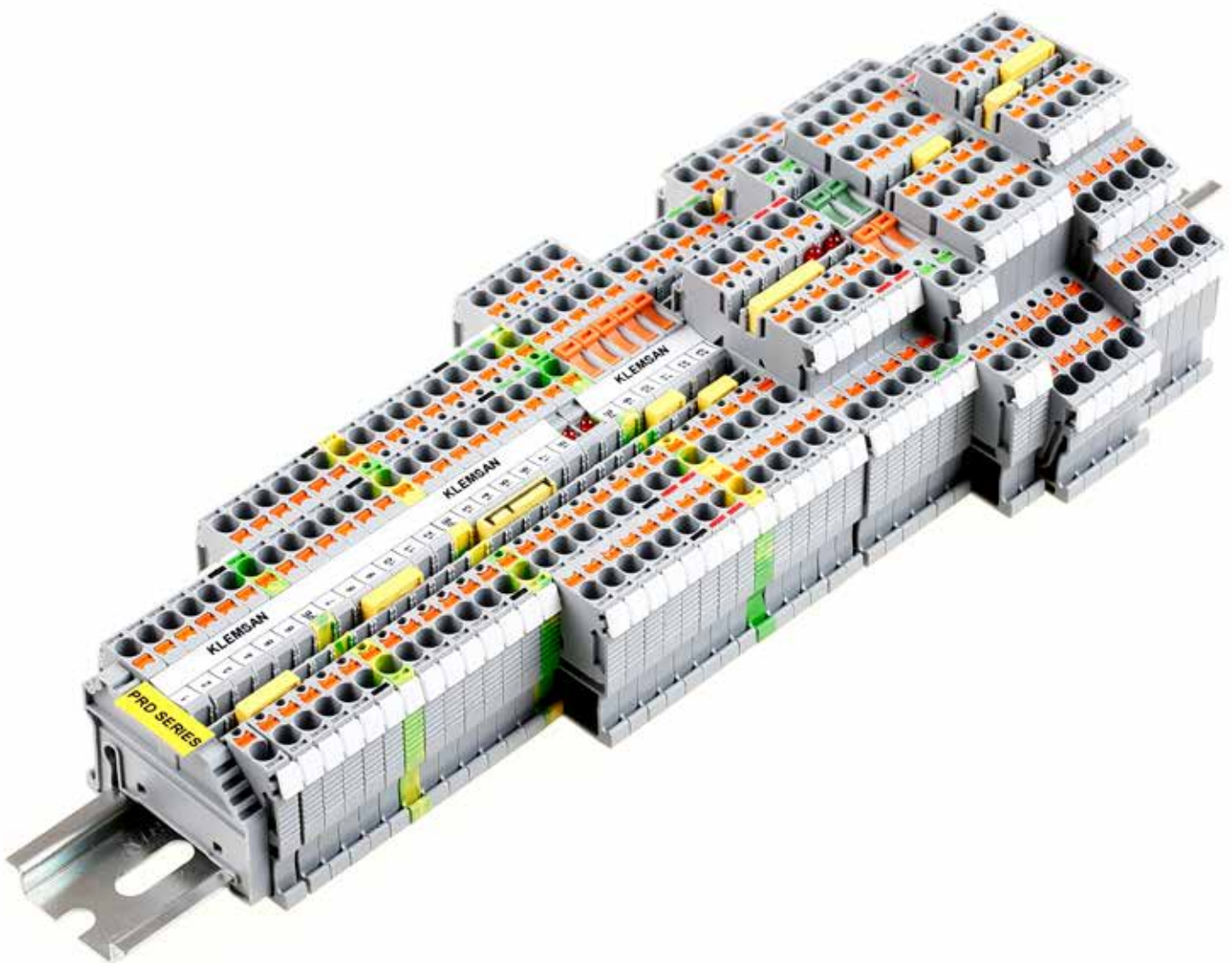


* All dimensions shown are in millimeters.

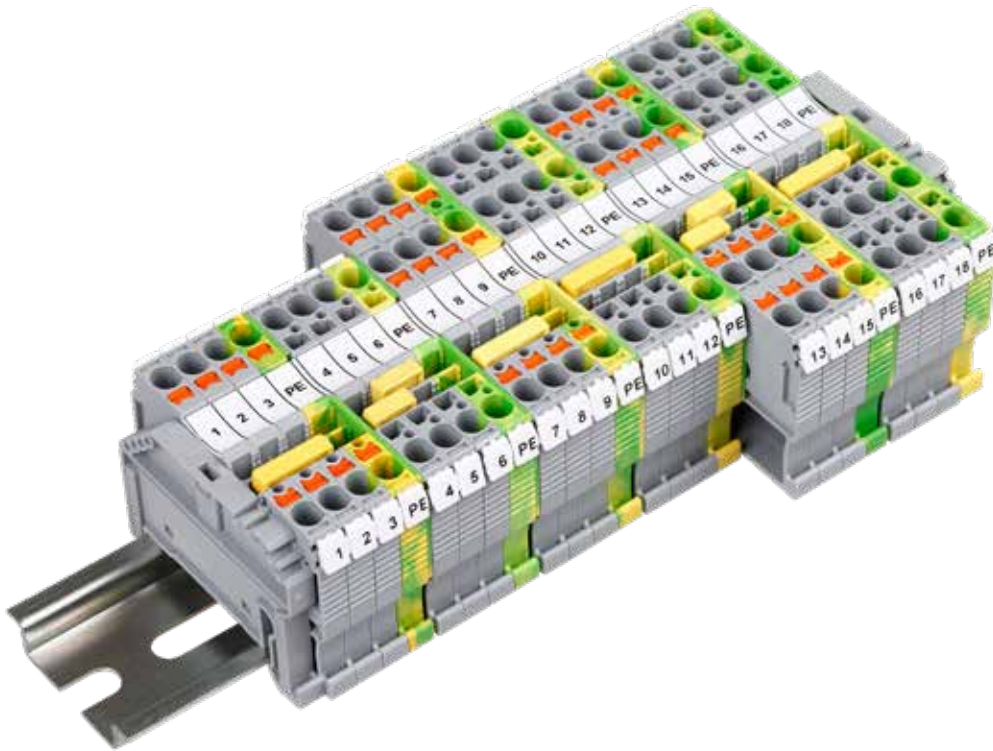
PRD Series Terminals

PRD Push-In Terminal Blocks can be connected wires from 0.08 mm² (28 AWG) cross-section up to 25 mm² (4 AWG)

PRD Series Push-In Terminal Blocks not necessary the use of screwdrivers for conductor assembly. Pushing the wire that meets the specified conditions into the terminal blocks completes the assembly. While removing the conductor, disassembly is carried out by applying pressure to the orange button with a suitable screwdriver. Single-core, stranded and ferrule conductors can be connected without any problems without using a hand tool.



Dimensions and wire entries are the same as SRD Series Cage Clamp Spring Type Terminals. Single-layer versions 11.2 mm; Multi-layer versions can be marked with a 4.9 mm strip label.



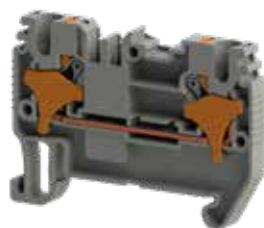
Thanks to dual cross-connection ability, user can make continuous cross connections. Same cross connections can be used together with SRD Series even on same Din Rail Project. You can use permanent markers to indicate poles on cross-connectors.



PRD 2,5

PRD 2,5

Width: 5,2 mm

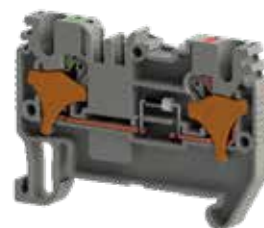


52,20

37,30
MF 35 x 7,5

PRD 2,5 D-A

Width: 5,2 mm



52,20

37,30
MF 35 x 7,5

Cat No:

- 328 059
- 328 050

Cat No:

- 328 069
- 328 060



Electrical Ratings
IEC (EN 60947-7-1/EN 60947-7-2)
UL
VDE (IEC 60947-7-1)
CSA
ATEX

Voltage, V ~	Current, A	Cross-Section
800	24	2,5 mm ²

Voltage, V ~	Current, A	Cross-Section
800	1	2,5 mm ²
The max. current is determined by the diode. Installed: Diode 1N 4007, reverse voltage: 1300 V, maximum continuous current: 0.5 A.		

Connection Data
Conductor cross section solid (min.-max.)
Conductor cross section stranded (min.-max.)
2 conductors with same cross section, stranded, TWIN ferrules with plastic sleeve
AWG Conductor
Insulation Stripping Length (min.-max.)
Screwdriver

Conductor cross section solid (min.-max.)	Conductor cross section stranded (min.-max.)	2 conductors with same cross section, stranded, TWIN ferrules with plastic sleeve	AWG Conductor	Insulation Stripping Length (min.-max.)	Screwdriver
0,08 - 4 mm ²	0,14 - 2,5 mm ²	0,5 mm ²	28-12	8-10	KT1 (0,4x2,5)

Conductor cross section solid (min.-max.)	Conductor cross section stranded (min.-max.)	2 conductors with same cross section, stranded, TWIN ferrules with plastic sleeve	AWG Conductor	Insulation Stripping Length (min.-max.)	Screwdriver
0,08 - 4 mm ²	0,14 - 2,5 mm ²	0,5 mm ²	28-12	8-10	KT1 (0,4x2,5)

Technical Data For Diode
Diode Reverse Voltage
Diode Current
Diode

End Plate

Type	Order No	Qty.
NPP / SRD 2.5	451 059	50

Type	Order No	Qty.
NPP / SRD 2.5	451 059	50

Partition Plate

Type	Order No	Qty.
APP / SRD 2.5	464 029	50

Type	Order No	Qty.
APP / SRD 2.5	464 029	50

Test Plug

Type	Order No	Qty.
TF Ø2	493 020	5

Type	Order No	Qty.
TF Ø2	493 020	5

Cross Connection

Type	Order No	Qty.
CS 2,5/2	470 102	25
CS 2,5/3	470 103	20
CS 2,5/4	470 104	15
CS 2,5/5	470 105	10
CS 2,5/10	470 109	5
CS 2,5/20	470 170	10

Type	Order No	Qty.
CS 2,5/2	470 102	25
CS 2,5/3	470 103	20
CS 2,5/4	470 104	15
CS 2,5/5	470 105	10
CS 2,5/10	470 109	5
CS 2,5/20	470 170	10

Technical Data
Rated Impulse Voltage / Pollution severity
Insulation material group / Gauge pin code according to IEC 60947-1
Protection class / Protection conductor type
Marking Tags (Dekafix)
See pages 326-333 for a list of Dekafix

8/3
1/A3
IP20/NA
D-NS 5,2x6, SLF-P1 W

8/3
1/A3
IP20/NA
D-NS 5,2x6, SLF-P1 W

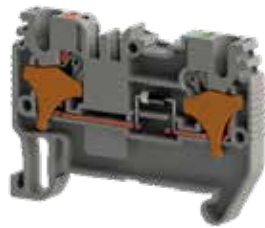
Package Quantity

50

50

PRD 2,5 D-B

Width: 5,2 mm

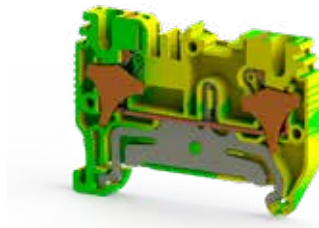


37,30
MR 35 x 7,5

52,20

PRD 2,5 T

Width: 5,2 mm



37,30
MR 35 x 7,5

52,20

Cat No:

328 079
328 070

Cat No:

337 620

Voltage, V ~	Current, A	Cross-Section
800	1	2,5 mm ²
The max. current is determined by the diode. Installed: Diode 1N 4007, reverse voltage: 1300 V, maximum continuous current: 0.5 A.		

0,08 -4 mm ²
0,14 - 2,5 mm ²
0,5 mm ²
28-12
8-10
KT1 (0,4x2,5)

Type	Order No	Qty.
NPP / SRD 2.5	451 059	50

Type	Order No	Qty.
APP / SRD 2.5	464 029	50

Type	Order No	Qty.
TF Ø2	493 020	5

Type	Order No	Qty.
CS 2,5/2	470 102	25
CS 2,5/3	470 103	20
CS 2,5/4	470 104	15
CS 2,5/5	470 105	10
CS 2,5/10	470 109	5
CS 2,5/20	470 170	10

8/3
1/A3
IP20/NA
D-NS 5,2x6, SLF-P1 W

50

Voltage, V ~	Current, A	Cross-Section
		2,5 mm ²

0,08 -4 mm ²
0,14 - 2,5 mm ²
0,5 mm ²
28-12
8-10
KT1 (0,4x2,5)

Type	Order No	Qty.
NPP / SRD 2.5	451 052T	50

Type	Order No	Qty.
APP / SRD 2.5	464 029	50

Type	Order No	Qty.
TF Ø2	493 020	5

Type	Order No	Qty.

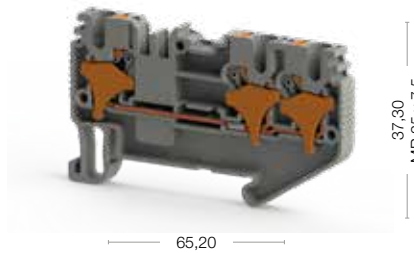
8/3
1/A3
IP20/NA
D-NS 5,2x6, SLF-P1 W

50

PRD 2,5 E

PRD 2,5 E

Width: 5,2 mm

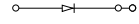


65,20

37,30
MR 35 x 7,5

PRD 2,5 ED-A

Width: 5,2 mm



65,20

37,30
MR 35 x 7,5

Cat No:

- 328 089
- 328 080

Cat No:

- 328 099
- 328 090



Electrical Ratings
IEC (EN 60947-7-1/EN 60947-7-2)
UL
VDE (IEC 60947-7-1)
CSA
ATEX

Voltage, V ~	Current, A	Cross-Section
800	24	2,5 mm ²

Voltage, V ~	Current, A	Cross-Section
800	1	2,5 mm ²
The max. current is determined by the diode. Installed: Diode 1N 4007, reverse voltage: 1300 V, maximum continuous current: 0.5 A.		

Connection Data
Conductor cross section solid (min.-max.)
Conductor cross section stranded (min.-max.)
2 conductors with same cross section, stranded, TWIN ferrules with plastic sleeve
AWG Conductor
Insulation Stripping Length (min.-max.)
Screwdriver

Connection Data
0,08 - 4 mm ²
0,14 - 2,5 mm ²
0,5 mm ²
28-12
8-10
KT1 (0,4x2,5)

Connection Data
0,08 - 4 mm ²
0,14 - 2,5 mm ²
0,5 mm ²
28-12
8-10
KT1 (0,4x2,5)

Technical Data For Diode
Diode Reverse Voltage
Diode Current
Diode

End Plate


Type	Order No	Qty.
NPP / SRD 2.5E	451 159	50

Type	Order No	Qty.
NPP / SRD 2.5E	451 159	50

Partition Plate



Type	Order No	Qty.
APP / SRD 2.5E	464 079	50

Type	Order No	Qty.
APP / SRD 2.5E	464 079	50

Test Plug


Type	Order No	Qty.
TF Ø2	493 020	5

Type	Order No	Qty.
TF Ø2	493 020	5

Cross Connection


Type	Order No	Qty.
CS 2,5/2	470 102	25
CS 2,5/3	470 103	20
CS 2,5/4	470 104	15
CS 2,5/5	470 105	10
CS 2,5/10	470 109	5
CS 2,5/20	470 170	10

Type	Order No	Qty.
CS 2,5/2	470 102	25
CS 2,5/3	470 103	20
CS 2,5/4	470 104	15
CS 2,5/5	470 105	10
CS 2,5/10	470 109	5
CS 2,5/20	470 170	10

Technical Data
Rated Impulse Voltage / Pollution severity
Insulation material group / Gauge pin code according to IEC 60947-1
Protection class / Protection conductor type
Marking Tags (Dekafix)
See pages 326-333 for a list of Dekafix

8/3
1/A3
IP20/NA
D-NS 5,2x6, SLF-P1 W

8/3
1/A3
IP20/NA
D-NS 5,2x6, SLF-P1 W

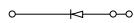
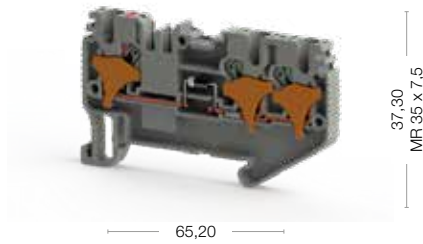
Package Quantity

50

50

PRD 2,5 ED-B

Width: 5,2 mm

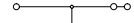
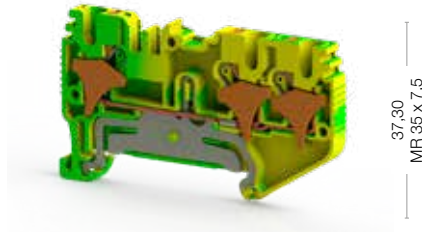



37,30
MP 35 x 7,5

65,20

PRD 2,5 ET

Width: 5,2 mm

37,30
MP 35 x 7,5

65,20

Cat No:

- 328 109
- 328 100

Cat No:

- 337 630

Voltage, V ~	Current, A	Cross-Section
800	1	2,5 mm ²
The max. current is determined by the diode. Installed: Diode 1N 4007, reverse voltage: 1300 V, maximum continuous current: 0.5 A.		

Voltage, V ~	Current, A	Cross-Section
		2,5 mm ²

0,08 -4 mm ²
0,14 - 2,5 mm ²
0,5 mm ²
28-12
8-10
KT1 (0,4x2,5)

0,08 -4 mm ²
0,14 - 2,5 mm ²
0,5 mm ²
28-12
8-10
KT1 (0,4x2,5)

Type	Order No	Qty.
NPP / SRD 2.5E	451 159	50

Type	Order No	Qty.
NPP / SRD 2.5E	451 159	50

Type	Order No	Qty.
APP / SRD 2.5E	464 079	50

Type	Order No	Qty.
APP / SRD 2.5E	464 079	50

Type	Order No	Qty.
TF Ø2	493 020	5

Type	Order No	Qty.
TF Ø2	493 020	5

Type	Order No	Qty.
CS 2,5/2	470 102	25
CS 2,5/3	470 103	20
CS 2,5/4	470 104	15
CS 2,5/5	470 105	10
CS 2,5/10	470 109	5
CS 2,5/20	470 170	10

Type	Order No	Qty.

8/3
1/A3
IP20/NA
D-NS 5,2x6, SLF-P1 W

8/3
1/A3
IP20/NA
D-NS 5,2x6, SLF-P1 W

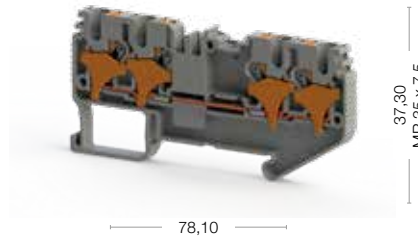
50

50

PRD 2,5 C

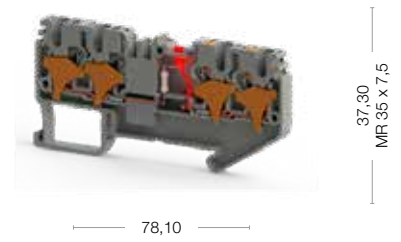
PRD 2,5 C

Width: 5,2 mm



PRD 2,5 CLD-24V AC/DC

Width: 5,2 mm



Cat No:

- 328 119
- 328 110

Cat No:

- 328 169
- 328 160



Electrical Ratings
IEC (EN 60947-7-1/EN 60947-7-2)
UL
VDE (IEC 60947-7-1)
CSA
ATEX

Voltage, V ~	Current, A	Cross-Section
800	24	2,5 mm ²

Voltage, V ~	Current, A	Cross-Section
24	24	2,5 mm ²

Connection Data
Conductor cross section solid (min.-max.)
Conductor cross section stranded (min.-max.)
2 conductors with same cross section, stranded, TWIN ferrules with plastic sleeve
AWG Conductor
Insulation Stripping Length (min.-max.)
Screwdriver

Conductor cross section solid (min.-max.)	Conductor cross section stranded (min.-max.)	2 conductors with same cross section, stranded, TWIN ferrules with plastic sleeve	AWG Conductor	Insulation Stripping Length (min.-max.)	Screwdriver
0,08 - 4 mm ²	0,14 - 2,5 mm ²	0,5 mm ²	28-12	8-10	KT1 (0,4x2,5)

Conductor cross section solid (min.-max.)	Conductor cross section stranded (min.-max.)	2 conductors with same cross section, stranded, TWIN ferrules with plastic sleeve	AWG Conductor	Insulation Stripping Length (min.-max.)	Screwdriver
0,08 - 4 mm ²	0,14 - 2,5 mm ²	0,5 mm ²	28-12	8-10	KT1 (0,4x2,5)

Technical Data For Diode
Diode Reverse Voltage
Diode Current
Diode

End Plate


Type	Order No	Qty.
NPP / SRD 2.5C	451 189	50

Type	Order No	Qty.
NPP / SRD 2.5C	451 189	50

Partition Plate



Type	Order No	Qty.
APP / SRD 2.5C	464 119	50

Type	Order No	Qty.
APP / SRD 2.5C	464 119	50

Test Plug


Type	Order No	Qty.
TF Ø2	493 020	5

Type	Order No	Qty.
TF Ø2	493 020	5

Cross Connection


Type	Order No	Qty.
CS 2,5/2	470 102	25
CS 2,5/3	470 103	20
CS 2,5/4	470 104	15
CS 2,5/5	470 105	10
CS 2,5/10	470 109	5
CS 2,5/20	470 170	10

Type	Order No	Qty.
CS 2,5/2	470 102	25
CS 2,5/3	470 103	20
CS 2,5/4	470 104	15
CS 2,5/5	470 105	10
CS 2,5/10	470 109	5
CS 2,5/20	470 170	10

Technical Data
Rated Impulse Voltage / Pollution severity
Insulation material group / Gauge pin code according to IEC 60947-1
Protection class / Protection conductor type
Marking Tags (Dekafix)
See pages 326-333 for a list of Dekafix

8/3
1/A3
IP20/NA
D-NS 5,2x6, SLF-P1 W

8/3
1/A3
IP20/NA
D-NS 5,2x6, SLF-P1 W

Package Quantity

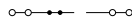
50

50

PRD 2,5 C

PRD 2,5 Cx2

Width: 5,2 mm

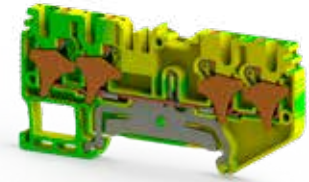
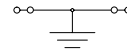


78,10

37,30
MR 35 x 7,5

PRD 2,5 CT

Width: 5,2 mm



78,10

37,30
MR 35 x 7,5










Cat No:

328 149
328 140

Cat No:

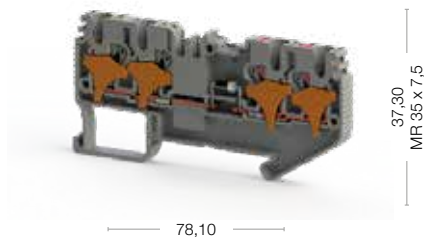
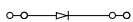
337 640



Electrical Ratings	Voltage, V ~	Current, A	Cross-Section	Voltage, V ~	Current, A	Cross-Section
IEC (EN 60947-7-1/EN 60947-7-2)	800	24	2,5 mm ²			2,5 mm ²
UL						
VDE (IEC 60947-7-1)						
CSA						
ATEX						
Connection Data	Connection Data		Connection Data		Connection Data	
Conductor cross section solid (min.-max.)	0,08 - 4 mm ²		0,08 - 4 mm ²		0,08 - 4 mm ²	
Conductor cross section stranded (min.-max.)	0,14 - 2,5 mm ²		0,14 - 2,5 mm ²		0,14 - 2,5 mm ²	
2 conductors with same cross section, stranded, TWIN ferrules with plastic sleeve	0,5 mm ²		0,5 mm ²		0,5 mm ²	
AWG Conductor	28-12		28-12		28-12	
Insulation Stripping Length (min.-max.)	8-10		8-10		8-10	
Screwdriver	KT1 (0,4x2,5)		KT1 (0,4x2,5)		KT1 (0,4x2,5)	
Technical Data For Diode	Technical Data For Diode		Technical Data For Diode		Technical Data For Diode	
Diode Reverse Voltage						
Diode Current						
Diode						
End Plate	Type	Order No	Qty.	Type	Order No	Qty.
	NPP / SRD 2.5C	451 189	50	NPP / SRD 2.5C	451 189	50
Partition Plate	Type	Order No	Qty.	Type	Order No	Qty.
	APP / SRD 2.5C	464 119	50	APP / SRD 2.5C	464 119	50
Test Plug	Type	Order No	Qty.	Type	Order No	Qty.
	TF Ø2	493 020	5	TF Ø2	493 020	5
Cross Connection	Type	Order No	Qty.	Type	Order No	Qty.
	CS 2,5/2	470 102	25			
	CS 2,5/3	470 103	20			
	CS 2,5/4	470 104	15			
	CS 2,5/5	470 105	10			
	CS 2,5/10	470 109	5			
	CS 2,5/20	470 170	10			
Technical Data	Technical Data		Technical Data		Technical Data	
Rated Impulse Voltage / Pollution severity	8/3		8/3		8/3	
Insulation material group / Gauge pin code according to IEC 60947-1	1/A3		1/A3		1/A3	
Protection class / Protection conductor type	IP20/NA		IP20/NA		IP20/NA	
Marking Tags (Dekafix)	Marking Tags (Dekafix)		Marking Tags (Dekafix)		Marking Tags (Dekafix)	
See pages 326-333 for a list of Dekafix	D-NS 5,2x6, SLF-P1 W		D-NS 5,2x6, SLF-P1 W		D-NS 5,2x6, SLF-P1 W	
Package Quantity	Package Quantity		Package Quantity		Package Quantity	
	50		50		50	

PRD 2,5 CD-A

Width: 5,2 mm

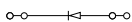


37,30
MR 35 x 7,5

78,10

PRD 2,5 CD-B

Width: 5,2 mm



37,30
MR 35 x 7,5

78,10

Cat No:

- 328 129
- 328 120

Voltage, V ~	Current, A	Cross-Section
800	1	2,5 mm ²
The max. current is determined by the diode. Installed: Diode 1N 4007, reverse voltage: 1300 V, maximum continuous current: 0.5 A.		

0,08 -4 mm ²
0,14 - 2,5 mm ²
0,5 mm ²
28-12
8-10
KT1 (0,4x2,5)

Type	Order No	Qty.
NPP / SRD 2.5C	451 189	50

Type	Order No	Qty.
APP / SRD 2.5C	464 119	50

Type	Order No	Qty.
TF Ø2	493 020	5

Type	Order No	Qty.
CS 2,5/2	470 102	25
CS 2,5/3	470 103	20
CS 2,5/4	470 104	15
CS 2,5/5	470 105	10
CS 2,5/10	470 109	5
CS 2,5/20	470 170	10

8/3
1/A3
IP20/NA
D-NS 5,2x6, SLF-P1 W
50

Cat No:

- 328 139
- 328 130

Voltage, V ~	Current, A	Cross-Section
800	1	2,5 mm ²
The max. current is determined by the diode. Installed: Diode 1N 4007, reverse voltage: 1300 V, maximum continuous current: 0.5 A.		

0,08 -4 mm ²
0,14 - 2,5 mm ²
0,5 mm ²
28-12
8-10
KT1 (0,4x2,5)

Type	Order No	Qty.
NPP / SRD 2.5C	451 189	50

Type	Order No	Qty.
APP / SRD 2.5C	464 119	50

Type	Order No	Qty.
TF Ø2	493 020	5

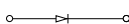
Type	Order No	Qty.
CS 2,5/2	470 102	25
CS 2,5/3	470 103	20
CS 2,5/4	470 104	15
CS 2,5/5	470 105	10
CS 2,5/10	470 109	5
CS 2,5/20	470 170	10

8/3
1/A3
IP20/NA
D-NS 5,2x6, SLF-P1 W
50

PRD 2,5 A

PRD 2,5 AD-A

Width: 5,2 mm



37,30
MFR 35 x 7,5

65,40

PRD 2,5 AD-B

Width: 5,2 mm



37,30
MFR 35 x 7,5

65,40

Cat No:

- 328 249
- 328 240

Cat No:

- 328 259
- 328 250



Electrical Ratings
IEC (EN 60947-7-1/EN 60947-7-2)
UL
VDE (IEC 60947-7-1)
CSA
ATEX

Voltage, V ~	Current, A	Cross-Section
500	1	2,5 mm ²
The max. current is determined by the diode. Installed: Diode 1N 4007, reverse voltage: 1300 V, maximum continuous current: 0.5 A.		

Voltage, V ~	Current, A	Cross-Section
500	1	2,5 mm ²
The max. current is determined by the diode. Installed: Diode 1N 4007, reverse voltage: 1300 V, maximum continuous current: 0.5 A.		

Connection Data
Conductor cross section solid (min.-max.)
Conductor cross section stranded (min.-max.)
2 conductors with same cross section, stranded, TWIN ferrules with plastic sleeve
AWG Conductor
Insulation Stripping Length (min.-max.)
Screwdriver

0,08 - 4 mm ²
0,14 - 2,5 mm ²
0,5 mm ²
28-12
8-10
KT1 (0,4x2,5)

0,08 - 4 mm ²
0,14 - 2,5 mm ²
0,5 mm ²
28-12
8-10
KT1 (0,4x2,5)

Technical Data For Diode
Diode Reverse Voltage
Diode Current
Diod

1000V
1 A
1 N 4007

1000V
1 A
1 N 4007

End Plate


Type	Order No	Qty.
NPP/SRD 2,5E	451 159	50

Type	Order No	Qty.
NPP/SRD 2,5E	451 159	50

Partition Plate



Type	Order No	Qty.
APP/SRD 2,5E	464 079	50

Type	Order No	Qty.
APP/SRD 2,5E	464 079	50

Test Plug


Type	Order No	Qty.
TF Ø2	493 020	5

Type	Order No	Qty.
TF Ø2	493 020	5

Cross Connection


Type	Order No	Qty.
CS 2,5/2	470 102	25
CS 2,5/3	470 103	20
CS 2,5/4	470 104	15
CS 2,5/5	470 105	10
CS 2,5/10	470 109	5
CS 2,5/20	470 170	10

Type	Order No	Qty.
CS 2,5/2	470 102	25
CS 2,5/3	470 103	20
CS 2,5/4	470 104	15
CS 2,5/5	470 105	10
CS 2,5/10	470 109	5
CS 2,5/20	470 170	10

Technical Data
Rated Impulse Voltage / Pollution severity
Insulation material group / Gauge pin code according to IEC 60947-1
Protection class / Protection conductor type
Marking Tags (Dekafix)
See pages 326-333 for a list of Dekafix

6/3
1/A3
IP20/NA
D-NS 5,2x6, SLF-P1 W

6/3
1/A3
IP20/NA
D-NS 5,2x6, SLF-P1 W

Package Quantity
50

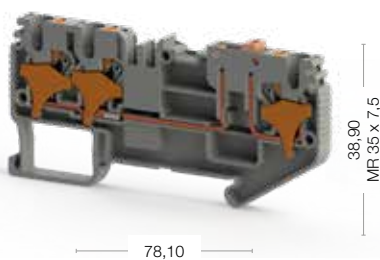
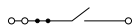
50

50

PRD 2,5 EA

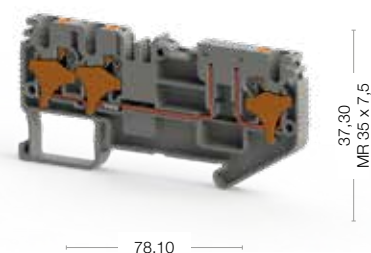
PRD 2,5 EA

Width: 5,2 mm



PRD 2,5 EAK

Width: 5,2 mm



Cat No:

- 328 279
- 328 270

Cat No:

- 328 309
- 328 300



Electrical Ratings
IEC (EN 60947-7-1/EN 60947-7-2)
UL
VDE (IEC 60947-7-1)
CSA
ATEX

Voltage, V ~	Current, A	Cross-Section
500	20	2,5 mm ²

Voltage, V ~	Current, A	Cross-Section
500	20	2,5 mm ²

Connection Data
Conductor cross section solid (min.-max.)
Conductor cross section stranded (min.-max.)
2 conductors with same cross section, stranded, TWIN ferrules with plastic sleeve
AWG Conductor
Insulation Stripping Length (min.-max.)
Screwdriver

0,08 - 4 mm ²
0,14 - 2,5 mm ²
0,5 mm ²
28-12
8-10
KT1 (0,4x2,5)

0,08 - 4 mm ²
0,14 - 2,5 mm ²
0,5 mm ²
28-12
8-10
KT1 (0,4x2,5)

Technical Data For Diode
Diode Reverse Voltage
Diode Current
Diode

End Plate


Type	Order No	Qty.
NPP/SRD 2,5C	451 189	50

Type	Order No	Qty.
NPP/SRD 2,5C	451 189	50

Partition Plate



Type	Order No	Qty.
APP/SRD 2,5C	464 119	50

Type	Order No	Qty.
APP/SRD 2,5C	464 119	50

Test Plug


Type	Order No	Qty.
TF Ø2	493 020	5

Type	Order No	Qty.
TF Ø2	493 020	5

Cross Connection


Type	Order No	Qty.
CS 2,5/2	470 102	25
CS 2,5/3	470 103	20
CS 2,5/4	470 104	15
CS 2,5/5	470 105	10
CS 2,5/10	470 109	5
CS 2,5/20	470 170	10

Type	Order No	Qty.
CS 2,5/2	470 102	25
CS 2,5/3	470 103	20
CS 2,5/4	470 104	15
CS 2,5/5	470 105	10
CS 2,5/10	470 109	5
CS 2,5/20	470 170	10

Technical Data
Rated Impulse Voltage / Pollution severity
Insulation material group / Gauge pin code according to IEC 60947-1
Protection class / Protection conductor type
Marking Tags (Dekafix)
See pages 326-333 for a list of Dekafix

6/3
1/A3
IP20/NA
D-NS 5,2x6, SLF-P1 W

6/3
1/A3
IP20/NA
D-NS 5,2x6, SLF-P1 W

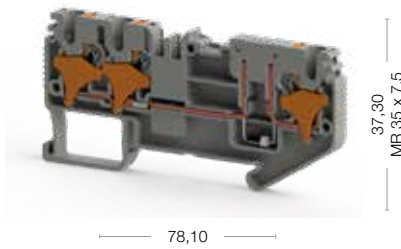
Package Quantity

50

50

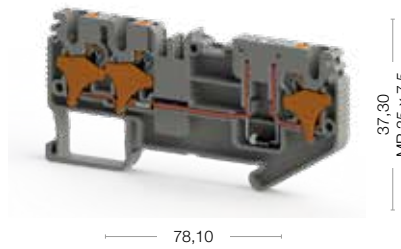
PRD 2,5 EAD-A

Width: 5,2 mm



PRD 2,5 EAD-B

Width: 5,2 mm



Cat No:

- 328 289
- 328 280

Voltage, V ~	Current, A	Cross-Section
500	1	2,5 mm ²
The max. current is determined by the diode. Installed: Diode 1N 4007, reverse voltage: 1300 V, maximum continuous current: 0.5 A.		

0,08 - 4 mm ²
0,14 - 2,5 mm ²
0,5 mm ²
28-12
8-10
KT1 (0,4x2,5)

1000V
1 A
1 N 4007

Type	Order No	Qty.
NPP/SRD 2,5C	451 189	50

Type	Order No	Qty.
APP/SRD 2,5C	464 119	50

Type	Order No	Qty.
TF Ø2	493 020	5

Type	Order No	Qty.
CS 2,5/2	470 102	25
CS 2,5/3	470 103	20
CS 2,5/4	470 104	15
CS 2,5/5	470 105	10
CS 2,5/10	470 109	5
CS 2,5/20	470 170	10

6/3
1/A3
IP20/NA
D-NS 5,2x6, SLF-P1 W

50

Cat No:

- 328 299
- 328 290

Voltage, V ~	Current, A	Cross-Section
500	1	2,5 mm ²
The max. current is determined by the diode. Installed: Diode 1N 4007, reverse voltage: 1300 V, maximum continuous current: 0.5 A.		

0,08 - 4 mm ²
0,14 - 2,5 mm ²
0,5 mm ²
28-12
8-10
KT1 (0,4x2,5)

1000V
1 A
1 N 4007

Type	Order No	Qty.
NPP/SRD 2,5C	451 189	50

Type	Order No	Qty.
APP/SRD 2,5C	464 119	50

Type	Order No	Qty.
TF Ø2	493 020	5

CS 2,5/2	470 102	25
CS 2,5/3	470 103	20
CS 2,5/4	470 104	15
CS 2,5/5	470 105	10
CS 2,5/10	470 109	5
CS 2,5/20	470 170	10

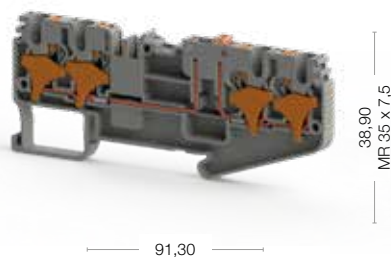
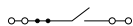
6/3
1/A3
IP20/NA
D-NS 5,2x6, SLF-P1 W

50

PRD 2,5 CA

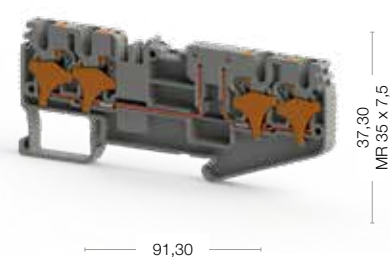
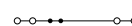
PRD 2,5 CA

Width: 5,2 mm



PRD 2,5 CAK

Width: 5,2 mm



Cat No:

- 328 319
- 328 310

Cat No:

- 328 349
- 328 340



Electrical Ratings
IEC (EN 60947-7-1/EN 60947-7-2)
UL
VDE (IEC 60947-7-1)
CSA
ATEX

Voltage, V ~	Current, A	Cross-Section
500	20	2,5 mm ²

Voltage, V ~	Current, A	Cross-Section
500	20	2,5 mm ²

Connection Data
Conductor cross section solid (min.-max.)
Conductor cross section stranded (min.-max.)
2 conductors with same cross section, stranded, TWIN ferrules with plastic sleeve
AWG Conductor
Insulation Stripping Length (min.-max.)
Screwdriver

0,08 - 4 mm ²
0,14 - 2,5 mm ²
0,5 mm ²
28-12
8-10
KT1 (0,4x2,5)

0,08 - 4 mm ²
0,14 - 2,5 mm ²
0,5 mm ²
28-12
8-10
KT1 (0,4x2,5)

Technical Data For Diode
Diode Reverse Voltage
Diode Current
Diode

End Plate


Type	Order No	Qty.
NPP/SRD 2,5CA	451 169	50

Type	Order No	Qty.
NPP/SRD 2,5CA	451 169	50

Partition Plate



Type	Order No	Qty.
APP/SRD 2,5CA	464 089	50

Type	Order No	Qty.
APP/SRD 2,5CA	464 089	50

Test Plug


Type	Order No	Qty.
TF Ø2	493 020	5

Type	Order No	Qty.
TF Ø2	493 020	5

Cross Connection


Type	Order No	Qty.
CS 2,5/2	470 102	25
CS 2,5/3	470 103	20
CS 2,5/4	470 104	15
CS 2,5/5	470 105	10
CS 2,5/10	470 109	5
CS 2,5/20	470 170	10

Type	Order No	Qty.
CS 2,5/2	470 102	25
CS 2,5/3	470 103	20
CS 2,5/4	470 104	15
CS 2,5/5	470 105	10
CS 2,5/10	470 109	5
CS 2,5/20	470 170	10

Technical Data
Rated Impulse Voltage / Pollution severity
Insulation material group / Gauge pin code according to IEC 60947-1
Protection class / Protection conductor type
Marking Tags (Dekafix)
See pages 326-333 for a list of Dekafix

6/3
1/A3
IP20/NA
D-NS 5,2x6, SLF-P1 W

6/3
1/A3
IP20/NA
D-NS 5,2x6, SLF-P1 W

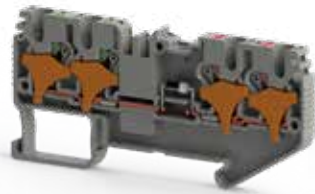
Package Quantity

50

50

PRD 2,5 CAD-A

Width: 5,2 mm



37,30
MF 35 x 7,5

91,30

PRD 2,5 CAD-B

Width: 5,2 mm



37,30
MF 35 x 7,5

91,30

Cat No:

- 328 329
- 328 320

Voltage, V ~	Current, A	Cross-Section
500	1	2,5 mm ²
The max. current is determined by the diode. Installed: Diode 1N 4007, reverse voltage: 1300 V, maximum continuous current: 0.5 A.		

0,08 - 4 mm ²
0,14 - 2,5 mm ²
0,5 mm ²
28-12
8-10
KT1 (0,4x2,5)

1000V
1 A
1 N 4007

Type	Order No	Qty.
NPP/SRD 2,5CA	451 169	50

Type	Order No	Qty.
APP/SRD 2,5CA	464 089	50

Type	Order No	Qty.
TF Ø2	493 020	5

Type	Order No	Qty.
CS 2,5/2	470 102	25
CS 2,5/3	470 103	20
CS 2,5/4	470 104	15
CS 2,5/5	470 105	10
CS 2,5/10	470 109	5
CS 2,5/20	470 170	10

6/3
1/A3
IP20/NA
D-NS 5,2x6, SLF-P1 W

50

Cat No:

- 328 339
- 328 330

Voltage, V ~	Current, A	Cross-Section
500	1	2,5 mm ²
The max. current is determined by the diode. Installed: Diode 1N 4007, reverse voltage: 1300 V, maximum continuous current: 0.5 A.		

0,08 - 4 mm ²
0,14 - 2,5 mm ²
0,5 mm ²
28-12
8-10
KT1 (0,4x2,5)

1000V
1 A
1 N 4007

Type	Order No	Qty.
NPP/SRD 2,5CA	451 169	50

Type	Order No	Qty.
APP/SRD 2,5CA	464 089	50

Type	Order No	Qty.
TF Ø2	493 020	5

CS 2,5/2	470 102	25
CS 2,5/3	470 103	20
CS 2,5/4	470 104	15
CS 2,5/5	470 105	10
CS 2,5/10	470 109	5
CS 2,5/20	470 170	10

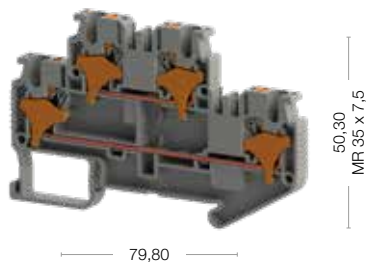
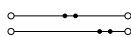
6/3
1/A3
IP20/NA
D-NS 5,2x6, SLF-P1 W

50

PRD 2,5-2F

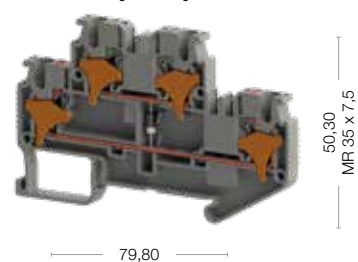
PRD 2,5-2F

Width: 5,2 mm



PRD 2,5-2FD-A

Width: 5,2 mm



Cat No:

- 328 359
- 328 351
- 328 350

Cat No:

- 328 369
- 328 360



Electrical Ratings
IEC (EN 60947-7-1/EN 60947-7-2)
UL
VDE (IEC 60947-7-1)
CSA
ATEX

Voltage, V ~	Current, A	Cross-Section
500	24	2,5 mm ²

Voltage, V ~	Current, A	Cross-Section
500	1	2,5 mm ²
The max. current is determined by the diode. Installed: Diode 1N 4007, reverse voltage: 1300 V, maximum continuous current: 0.5 A.		

Connection Data
Conductor cross section solid (min.-max.)
Conductor cross section stranded (min.-max.)
2 conductors with same cross section, stranded, TWIN ferrules with plastic sleeve
AWG Conductor
Insulation Stripping Length (min.-max.)
Screwdriver

0,08 - 4 mm ²
0,14 - 2,5 mm ²
0,5 mm ²
28-12
8-10
KT1 (0,4x2,5)

0,08 - 4 mm ²
0,14 - 2,5 mm ²
0,5 mm ²
28-12
8-10
KT1 (0,4x2,5)

Technical Data For Diode
Diode Reverse Voltage
Diode Current
Diode

1000V
1 A
1 N 4007

End Plate


Type	Order No	Qty.
NPP/SRD 2,5_2F	451 079	50

Type	Order No	Qty.
NPP/SRD 2,5_2F	451 079	50

Partition Plate



Type	Order No	Qty.
APP/SRD 2,5_2F	464 069	50

Type	Order No	Qty.
APP/SRD 2,5_2F	464 069	50

Test Plug


Type	Order No	Qty.
TF Ø2	493 020	5

Type	Order No	Qty.
TF Ø2	493 020	5

Cross Connection


Type	Order No	Qty.
CS 2,5/2	470 102	25
CS 2,5/3	470 103	20
CS 2,5/4	470 104	15
CS 2,5/5	470 105	10
CS 2,5/10	470 109	5
CS 2,5/20	470 170	10

Type	Order No	Qty.
CS 2,5/2	470 102	25
CS 2,5/3	470 103	20
CS 2,5/4	470 104	15
CS 2,5/5	470 105	10
CS 2,5/10	470 109	5
CS 2,5/20	470 170	10

Technical Data
Rated Impulse Voltage / Pollution severity
Insulation material group / Gauge pin code according to IEC 60947-1
Protection class / Protection conductor type
Marking Tags (Dekafix)
See pages 326-333 for a list of Dekafix

6/3
1/A3
IP20/NA
D-NS 5,2x6, SLF-P2 W

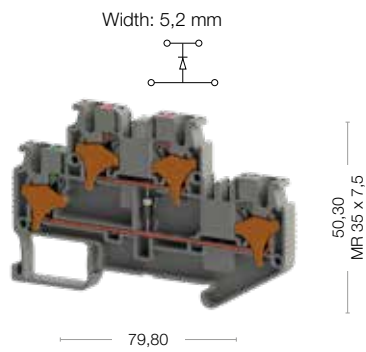
6/3
1/A3
IP20/NA
D-NS 5,2x6, SLF-P2 W

Package Quantity

50

50

PRD 2,5-2FD-B



Cat No:

328 379
328 370

Voltage, V ~	Current, A	Cross-Section
500	1	2,5 mm ²
The max. current is determined by the diode. Installed: Diode 1N 4007, reverse voltage: 1300 V, maximum continuous current: 0.5 A.		

0,08 - 4 mm ²
0,14 - 2,5 mm ²
0,5 mm ²
28-12
8-10
KT1 (0,4x2,5)

1000V
1 A
1 N 4007

Type	Order No	Qty.
NPP/SRD 2,5_2F	451 079	50

Type	Order No	Qty.
APP/SRD 2,5_2F	464 069	50

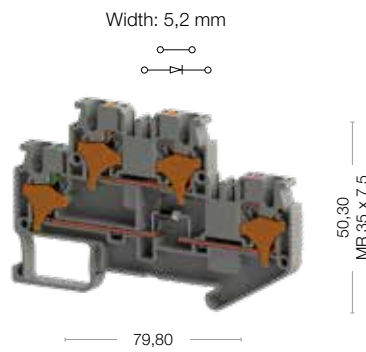
Type	Order No	Qty.
TF Ø2	493 020	5

Type	Order No	Qty.
CS 2,5/2	470 102	25
CS 2,5/3	470 103	20
CS 2,5/4	470 104	15
CS 2,5/5	470 105	10
CS 2,5/10	470 109	5
CS 2,5/20	470 170	10

6/3
1/A3
IP20/NA
D-NS 5,2x6, SLF-P2 W

50

PRD 2,5-2FD-L



Cat No:

328 399
328 390

Voltage, V ~	Current, A	Cross-Section
500	24/1	2,5 mm ²
The max. current is determined by the diode. Installed: Diode 1N 4007, reverse voltage: 1300 V, maximum continuous current: 0.5 A.		

0,08 - 4 mm ²
0,14 - 2,5 mm ²
0,5 mm ²
28-12
8-10
KT1 (0,4x2,5)

1000V
1 A
1 N 4007

Type	Order No	Qty.
NPP/SRD 2,5_2F	451 079	50

Type	Order No	Qty.
APP/SRD 2,5_2F	464 069	50

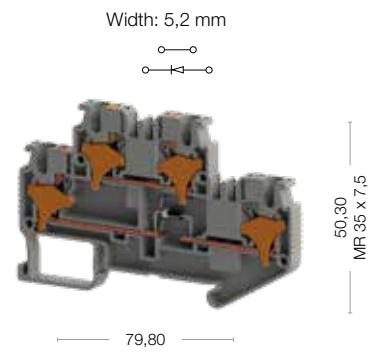
Type	Order No	Qty.
TF Ø2	493 020	5

Type	Order No	Qty.
CS 2,5/2	470 102	25
CS 2,5/3	470 103	20
CS 2,5/4	470 104	15
CS 2,5/5	470 105	10
CS 2,5/10	470 109	5
CS 2,5/20	470 170	10

6/3
1/A3
IP20/NA
D-NS 5,2x6, SLF-P2 W

50

PRD 2,5-2FD-R



Cat No:

328 389
328 380

Voltage, V ~	Current, A	Cross-Section
500	24/1	2,5 mm ²
The max. current is determined by the diode. Installed: Diode 1N 4007, reverse voltage: 1300 V, maximum continuous current: 0.5 A.		

0,08 - 4 mm ²
0,14 - 2,5 mm ²
0,5 mm ²
28-12
8-10
KT1 (0,4x2,5)

1000V
1 A
1 N 4007

Type	Order No	Qty.
NPP/SRD 2,5_2F	451 079	50

Type	Order No	Qty.
APP/SRD 2,5_2F	464 069	50

Type	Order No	Qty.
TF Ø2	493 020	5

Type	Order No	Qty.
CS 2,5/2	470 102	25
CS 2,5/3	470 103	20
CS 2,5/4	470 104	15
CS 2,5/5	470 105	10
CS 2,5/10	470 109	5
CS 2,5/20	470 170	10

6/3
1/A3
IP20/NA
D-NS 5,2x6, SLF-P2 W

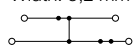
50

PRD 2,5-2F

PRD 2,5-2FK

PRD 2,5-2FLD-24V AC/DC

Width: 5,2 mm



79,80

50,30
MF 35 x 7,5

Width: 5,2 mm



79,80

50,30
MF 35 x 7,5

Cat No:

- 328 519
- 328 510

Cat No:

- 328 419
- 328 410



Electrical Ratings
IEC (EN 60947-7-1/EN 60947-7-2)
UL
VDE (IEC 60947-7-1)
CSA
ATEX

Voltage, V ~	Current, A	Cross-Section
500	24	2,5 mm ²

Voltage, V ~	Current, A	Cross-Section
24	24	2,5 mm ²

Connection Data
Conductor cross section solid (min.-max.)
Conductor cross section stranded (min.-max.)
2 conductors with same cross section, stranded, TWIN ferrules with plastic sleeve
AWG Conductor
Insulation Stripping Length (min.-max.)
Screwdriver

0,08 - 4 mm ²
0,14 - 2,5 mm ²
0,5 mm ²
28-12
8-10
KT1 (0,4x2,5)

0,08 - 4 mm ²
0,14 - 2,5 mm ²
0,5 mm ²
28-12
8-10
KT1 (0,4x2,5)

Technical Data For Diode
Diode Reverse Voltage
Diode Current
Diode

End Plate

Type	Order No	Qty.
NPP/SRD 2,5_2F	451 079	50

Type	Order No	Qty.
NPP/SRD 2,5_2F	451 079	50

Partition Plate

Type	Order No	Qty.
APP/SRD 2,5_2F	464 069	50

Type	Order No	Qty.
APP/SRD 2,5_2F	464 069	50

Test Plug

Type	Order No	Qty.
TF Ø2	493 020	5

Type	Order No	Qty.
TF Ø2	493 020	5

Cross Connection

Type	Order No	Qty.
CS 2,5/2	470 102	25
CS 2,5/3	470 103	20
CS 2,5/4	470 104	15
CS 2,5/5	470 105	10
CS 2,5/10	470 109	5
CS 2,5/20	470 170	10

Type	Order No	Qty.
CS 2,5/2	470 102	25
CS 2,5/3	470 103	20
CS 2,5/4	470 104	15
CS 2,5/5	470 105	10
CS 2,5/10	470 109	5
CS 2,5/20	470 170	10

Technical Data
Rated Impulse Voltage / Pollution severity
Insulation material group / Gauge pin code according to IEC 60947-1
Protection class / Protection conductor type
Marking Tags (Dekafix)
See pages 326-333 for a list of Dekafix

6/3
1/A3
IP20/NA
D-NS 5,2x6, SLF-P2 W

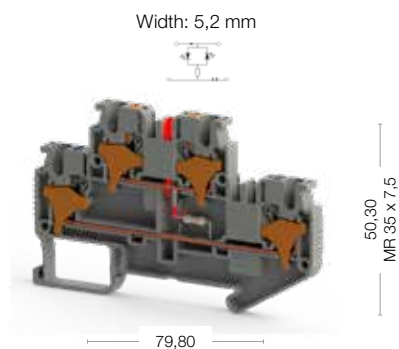
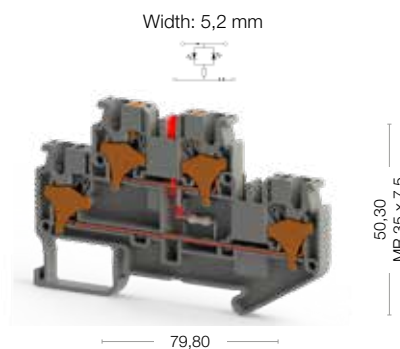
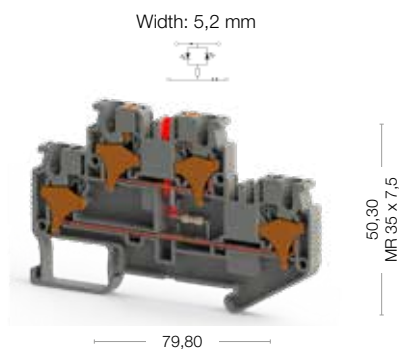
6/3
1/A3
IP20/NA
D-NS 5,2x6, SLF-P2 W

Package Quantity

50

50

PRD 2,5-2FLD-48V AC/DC PRD 2,5-2FLD-110V AC/DC PRD 2,5-2FLD-220V AC/DC



Cat No:

- 328 429
- 328 420

Voltage, V ~	Current, A	Cross-Section
48	24	2,5 mm ²

0,08 - 4 mm ²
0,14 - 2,5 mm ²
0,5 mm ²
28-12
8-10
KT1 (0,4x2,5)

Type	Order No	Qty.
NPP/SRD 2,5_2F	451 079	50

Type	Order No	Qty.
APP/SRD 2,5_2F	464 069	50

Type	Order No	Qty.
TF Ø2	493 020	5

Type	Order No	Qty.
CS 2,5/2	470 102	25
CS 2,5/3	470 103	20
CS 2,5/4	470 104	15
CS 2,5/5	470 105	10
CS 2,5/10	470 109	5
CS 2,5/20	470 170	10

6/3
1/A3
IP20/NA
D-NS 5,2x6, SLF-P2 W

50

Cat No:

- 328 449
- 328 440

Voltage, V ~	Current, A	Cross-Section
110	24	2,5 mm ²

0,08 - 4 mm ²
0,14 - 2,5 mm ²
0,5 mm ²
28-12
8-10
KT1 (0,4x2,5)

Type	Order No	Qty.
NPP/SRD 2,5_2F	451 079	50

Type	Order No	Qty.
APP/SRD 2,5_2F	464 069	50

Type	Order No	Qty.
TF Ø2	493 020	5

Type	Order No	Qty.
CS 2,5/2	470 102	25
CS 2,5/3	470 103	20
CS 2,5/4	470 104	15
CS 2,5/5	470 105	10
CS 2,5/10	470 109	5
CS 2,5/20	470 170	10

6/3
1/A3
IP20/NA
D-NS 5,2x6, SLF-P2 W

50

Cat No:

- 328 469
- 328 460

Voltage, V ~	Current, A	Cross-Section
220	24	2,5 mm ²

0,08 - 4 mm ²
0,14 - 2,5 mm ²
0,5 mm ²
28-12
8-10
KT1 (0,4x2,5)

Type	Order No	Qty.
NPP/SRD 2,5_2F	451 079	50

Type	Order No	Qty.
APP/SRD 2,5_2F	464 069	50

Type	Order No	Qty.
TF Ø2	493 020	5

Type	Order No	Qty.
CS 2,5/2	470 102	25
CS 2,5/3	470 103	20
CS 2,5/4	470 104	15
CS 2,5/5	470 105	10
CS 2,5/10	470 109	5
CS 2,5/20	470 170	10

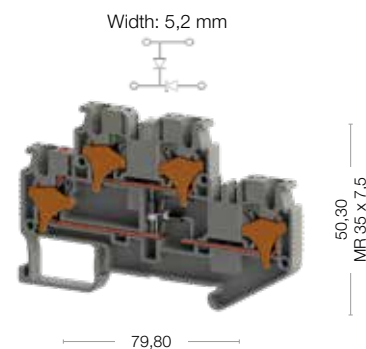
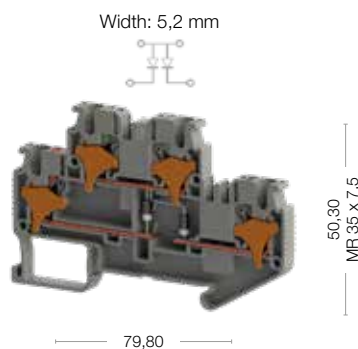
6/3
1/A3
IP20/NA
D-NS 5,2x6, SLF-P2 W

50

PRD 2,5-2F

PRD 2,5-F2D-A

PRD 2,5-F2D-B



Cat No:

- 328 489
- 328 480

Cat No:

- 328 499
- 328 490



Electrical Ratings
IEC (EN 60947-7-1/EN 60947-7-2)
UL
VDE (IEC 60947-7-1)
CSA
ATEX

Voltage, V ~	Current, A	Cross-Section
500	1	2,5 mm ²
The max. current is determined by the diode. Installed: Diode 1N 4007, reverse voltage: 1300 V, maximum continuous current: 0.5 A.		

Voltage, V ~	Current, A	Cross-Section
500	1	2,5 mm ²
The max. current is determined by the diode. Installed: Diode 1N 4007, reverse voltage: 1300 V, maximum continuous current: 0.5 A.		

Connection Data
Conductor cross section solid (min.-max.)
Conductor cross section stranded (min.-max.)
2 conductors with same cross section, stranded, TWIN ferrules with plastic sleeve
AWG Conductor
Insulation Stripping Length (min.-max.)
Screwdriver

0,08 - 4 mm ²
0,14 - 2,5 mm ²
0,5 mm ²
28-12
8-10
KT1 (0,4x2,5)

0,08 - 4 mm ²
0,14 - 2,5 mm ²
0,5 mm ²
28-12
8-10
KT1 (0,4x2,5)

Technical Data For Diode
Diode Reverse Voltage
Diode Current
Diod

1000V
1 A
1 N 4007

1000V
1 A
1 N 4007

End Plate


Type	Order No	Qty.
NPP/SRD 2,5_2F	451 079	50

Type	Order No	Qty.
NPP/SRD 2,5_2F	451 079	50

Partition Plate



Type	Order No	Qty.
APP/SRD 2,5_2F	464 069	50

Type	Order No	Qty.
APP/SRD 2,5_2F	464 069	50

Test Plug


Type	Order No	Qty.
TF Ø2	493 020	5

Type	Order No	Qty.
TF Ø2	493 020	5

Cross Connection


Type	Order No	Qty.
CS 2,5/2	470 102	25
CS 2,5/3	470 103	20
CS 2,5/4	470 104	15
CS 2,5/5	470 105	10
CS 2,5/10	470 109	5
CS 2,5/20	470 170	10

Type	Order No	Qty.
CS 2,5/2	470 102	25
CS 2,5/3	470 103	20
CS 2,5/4	470 104	15
CS 2,5/5	470 105	10
CS 2,5/10	470 109	5
CS 2,5/20	470 170	10

Technical Data
Rated Impulse Voltage / Pollution severity
Insulation material group / Gauge pin code according to IEC 60947-1
Protection class / Protection conductor type
Marking Tags (Dekafix)
See pages 326-333 for a list of Dekafix

6/3
1/A3
IP20/NA
D-NS 5,2x6, SLF-P2 W

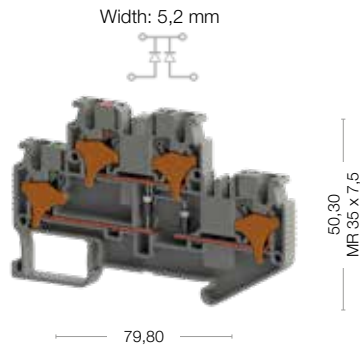
6/3
1/A3
IP20/NA
D-NS 5,2x6, SLF-P2 W

Package Quantity
50

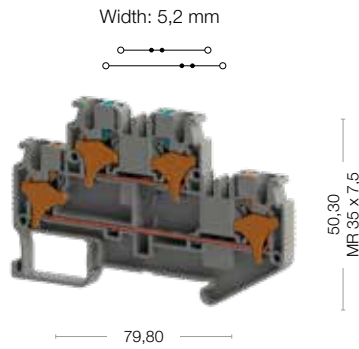
50

50

PRD 2,5-F2D-C



PRD 2,5-FN



Cat No:

- 328 509
- 328 500

Voltage, V ~	Current, A	Cross-Section
500	1	2,5 mm ²
The max. current is determined by the diode. Installed: Diode 1N 4007, reverse voltage: 1300 V, maximum continuous current: 0.5 A.		

0,08 - 4 mm ²
0,14 - 2,5 mm ²
0,5 mm ²
28-12
8-10
KT1 (0,4x2,5)

1000V
1 A
1 N 4007

Type	Order No	Qty.
NPP/SRD 2,5_2F	451 079	50

Type	Order No	Qty.
APP/SRD 2,5_2F	464 069	50

Type	Order No	Qty.
TF Ø2	493 020	5

Type	Order No	Qty.
CS 2,5/2	470 102	25
CS 2,5/3	470 103	20
CS 2,5/4	470 104	15
CS 2,5/5	470 105	10
CS 2,5/10	470 109	5
CS 2,5/20	470 170	10

6/3
1/A3
IP20/NA
D-NS 5,2x6, SLF-P2 W

50

Cat No:

- 328 529
- 328 520

Voltage, V ~	Current, A	Cross-Section
500	24	2,5 mm ²

0,08 - 4 mm ²
0,14 - 2,5 mm ²
0,5 mm ²
28-12
8-10
KT1 (0,4x2,5)

1000V
1 A
1 N 4007

Type	Order No	Qty.
NPP/SRD 2,5_2F	451 079	50

Type	Order No	Qty.
APP/SRD 2,5_2F	464 069	50

Type	Order No	Qty.
TF Ø2	493 020	5

Type	Order No	Qty.
CS 2,5/2	470 102	25
CS 2,5/3	470 103	20
CS 2,5/4	470 104	15
CS 2,5/5	470 105	10
CS 2,5/10	470 109	5
CS 2,5/20	470 170	10

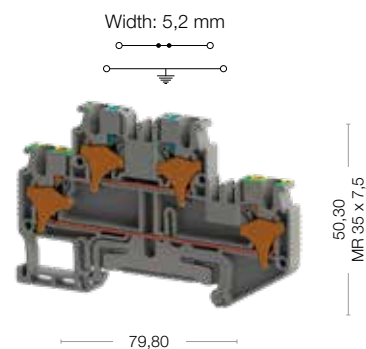
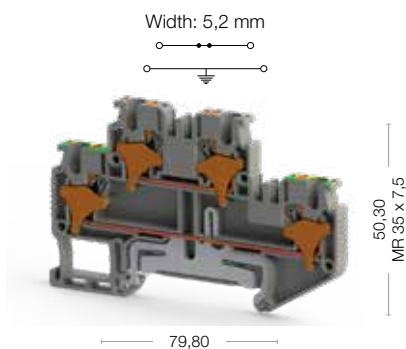
6/3
1/A3
IP20/NA
D-NS 5,2x6, SLF-P2 W

50

PRD 2,5-FT

PRD 2,5-FT

PRD 2,5-NT



Cat No:

- 328 539
- 328 530

Cat No:

- 328 549
- 328 540



Electrical Ratings
IEC (EN 60947-7-1/EN 60947-7-2)
UL
VDE (IEC 60947-7-1)
CSA
ATEX

Voltage, V ~	Current, A	Cross-Section
500	24	2,5 mm ²

Voltage, V ~	Current, A	Cross-Section
500	24	2,5 mm ²

Connection Data
Conductor cross section solid (min.-max.)
Conductor cross section stranded (min.-max.)
2 conductors with same cross section, stranded, TWIN ferrules with plastic sleeve
AWG Conductor
Insulation Stripping Length (min.-max.)
Screwdriver

0,08 - 4 mm ²
0,14 - 2,5 mm ²
0,5 mm ²
28-12
8-10
KT1 (0,4x2,5)

0,08 - 4 mm ²
0,14 - 2,5 mm ²
0,5 mm ²
28-12
8-10
KT1 (0,4x2,5)

Technical Data For Diode
Diode Reverse Voltage
Diode Current
Diod

End Plate


Type	Order No	Qty.
NPP/SRD 2,5_2F	451 079	50

Type	Order No	Qty.
NPP/SRD 2,5_2F	451 079	50

Partition Plate



Type	Order No	Qty.
APP/SRD 2,5_2F	464 069	50

Type	Order No	Qty.
APP/SRD 2,5_2F	464 069	50

Test Plug


Type	Order No	Qty.
TF Ø2	493 020	5

Type	Order No	Qty.
TF Ø2	493 020	5

Cross Connection


Type	Order No	Qty.
CS 2,5/2	470 102	25
CS 2,5/3	470 103	20
CS 2,5/4	470 104	15
CS 2,5/5	470 105	10
CS 2,5/10	470 109	5
CS 2,5/20	470 170	10

Type	Order No	Qty.
CS 2,5/2	470 102	25
CS 2,5/3	470 103	20
CS 2,5/4	470 104	15
CS 2,5/5	470 105	10
CS 2,5/10	470 109	5
CS 2,5/20	470 170	10

Technical Data
Rated Impulse Voltage / Pollution severity
Insulation material group / Gauge pin code according to IEC 60947-1
Protection class / Protection conductor type
Marking Tags (Dekafix)
See pages 326-333 for a list of Dekafix

6/3
1/A3
IP20/NA
D-NS 5,2x6, SLF-P2 W

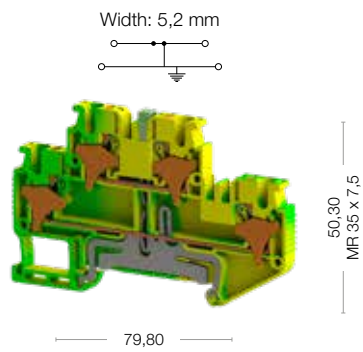
6/3
1/A3
IP20/NA
D-NS 5,2x6, SLF-P2 W

Package Quantity

50

50

PRD 2,5-2T



Cat No:

337 650

Voltage, V ~	Current, A	Cross-Section
		2,5 mm ²

0,08 - 4 mm ²
0,14 - 2,5 mm ²
0,5 mm ²
28-12
8-10
KT1 (0,4x2,5)

Type	Order No	Qty.
NPP/SRD 2,5_2F	451 072T	50

Type	Order No	Qty.
APP/SRD 2,5_2F	464 069	50

Type	Order No	Qty.
TF 02	493 020	5

Type	Order No	Qty.

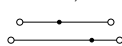
6/3
1/A3
IP20/NA
D-NS 5,2x6, SLF-P2 W

50

PRD 2,5-M2F

PRD 2,5-M2F

Width: 5,2 mm



84,05

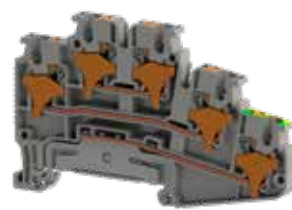
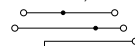
51,81
MR35 x 7,5

Cat No:

328 749

PRD 2,5-M2FT

Width: 5,2 mm



84,05

51,81
MR35 x 7,5

Cat No:

328 759



Electrical Ratings
IEC (EN 60947-7-1/EN 60947-7-2)
UL
VDE (IEC 60947-7-1)
CSA
ATEX

Voltage, V ~	Current, A	Cross-Section
400	24	2,5 mm ²

Voltage, V ~	Current, A	Cross-Section
400	24	2,5 mm ²

Connection Data
Conductor cross section solid (min.-max.)
Conductor cross section stranded (min.-max.)
2 conductors with same cross section, stranded, TWIN ferrules with plastic sleeve
AWG Conductor
Insulation Stripping Length (min.-max.)
Screwdriver

0,08 - 4 mm ²
0,14 - 2,5 mm ²
0,5 mm ²
28-12
8-10
KT1 (0,4x2,5)

0,08 - 4 mm ²
0,14 - 2,5 mm ²
0,5 mm ²
28-12
8-10
KT1 (0,4x2,5)

Technical Data For Diode
Diode Reverse Voltage
Diode Current
Diod

End Plate

Type	Order No	Qty.
NPP/PRD 2,5-M2F	451 439	50

Type	Order No	Qty.
NPP/PRD 2,5-M2F	451 439	50

Test Plug

Type	Order No	Qty.
TF Ø2	493 020	5

Type	Order No	Qty.
TF Ø2	493 020	5

Cross Connection

Type	Order No	Qty.
CS 2,5/2	470 102	25
CS 2,5/3	470 103	20
CS 2,5/4	470 104	15
CS 2,5/5	470 105	10
CS 2,5/10	470 109	5
CS 2,5/20	470 170	10

Type	Order No	Qty.
CS 2,5/2	470 102	25
CS 2,5/3	470 103	20
CS 2,5/4	470 104	15
CS 2,5/5	470 105	10
CS 2,5/10	470 109	5
CS 2,5/20	470 170	10

Technical Data
Rated Impulse Voltage / Pollution severity
Insulation material group / Gauge pin code according to IEC 60947-1
Protection class / Protection conductor type
Marking Tags (Dekafix)
See pages 326-333 for a list of Dekafix

4/3
1/A3
IP20/NA
D-NS 5,2x6, SLF-P2 W

4/3
1/A3
IP20/NA
D-NS 5,2x6, SLF-P2 W

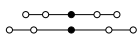
Package Quantity

50

50

PRD 2,5-2FC

Width: 5,2 mm

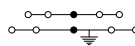


55,80
MF 35 x 7,5

112,31

PRD 2,5-2FCT

Width: 5,2 mm



55,80
MF 35 x 7,5

112,31

Cat No:

328 769

Cat No:

328 779

Voltage, V ~	Current, A	Cross-Section
800	24	2,5 mm ²

0,08 - 4 mm ²		
0,14 - 2,5 mm ²		
0,5 mm ²		
28-12		
8-10		
KT1 (0,4x2,5)		

Type	Order No	Qty.
NPP/PRD 2,5-2FC	451 479	50

Type	Order No	Qty.
TF Ø2	493 020	5

Type	Order No	Qty.
CS 2,5/2	470 102	25
CS 2,5/3	470 103	20
CS 2,5/4	470 104	15
CS 2,5/5	470 105	10
CS 2,5/10	470 109	5
CS 2,5/20	470 170	10

8/3		
1/A3		
IP20/NA		
D-NS 5,2x6, SLF-P2 W		

50

Voltage, V ~	Current, A	Cross-Section
800	24	2,5 mm ²

0,08 - 4 mm ²		
0,14 - 2,5 mm ²		
0,5 mm ²		
28-12		
8-10		
KT1 (0,4x2,5)		

Type	Order No	Qty.
NPP/PRD 2,5-2FC	451 479	50

Type	Order No	Qty.
TF Ø2	493 020	5

Type	Order No	Qty.
CS 2,5/2	470 102	25
CS 2,5/3	470 103	20
CS 2,5/4	470 104	15
CS 2,5/5	470 105	10
CS 2,5/10	470 109	5
CS 2,5/20	470 170	10

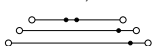
8/3		
1/A3		
IP20/NA		
D-NS 5,2x6, SLF-P2 W		

50

PRD 2,5-3F

PRD 2,5-3F

Width: 5,2 mm

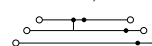


100,50

63,40
MP 35 x 7,5

PRD 2,5-2KF

Width: 5,2 mm



100,50

63,40
MP 35 x 7,5

Cat No:

328 559 328 551
328 550

Cat No:

328 579
328 570



Electrical Ratings
IEC (EN 60947-7-1/EN 60947-7-2)
UL
VDE (IEC 60947-7-1)
CSA
ATEX

Voltage, V ~	Current, A	Cross-Section
400	24	2,5 mm ²

Voltage, V ~	Current, A	Cross-Section
400	24	2,5 mm ²

Connection Data
Conductor cross section solid (min.-max.)
Conductor cross section stranded (min.-max.)
2 conductors with same cross section, stranded, TWIN ferrules with plastic sleeve
AWG Conductor
Insulation Stripping Length (min.-max.)
Screwdriver

0,08 - 4 mm ²
0,14 - 2,5 mm ²
0,5 mm ²
28-12
8-10
KT1 (0,4x2,5)

0,08 - 4 mm ²
0,14 - 2,5 mm ²
0,5 mm ²
28-12
8-10
KT1 (0,4x2,5)

Technical Data For Diode
Diode Reverse Voltage
Diode Current
Diode

End Plate

Type	Order No	Qty.
NPP/SRD 2,5_3F	451 109	50

Type	Order No	Qty.
NPP/SRD 2,5_3F	451 109	50

Partition Plate

Type	Order No	Qty.

Type	Order No	Qty.

Test Plug

Type	Order No	Qty.
TF Ø2	493 020	5

Type	Order No	Qty.
TF Ø2	493 020	5

Cross Connection

Type	Order No	Qty.
CS 2,5/2	470 102	25
CS 2,5/3	470 103	20
CS 2,5/4	470 104	15
CS 2,5/5	470 105	10
CS 2,5/10	470 109	5
CS 2,5/20	470 170	10

Type	Order No	Qty.
CS 2,5/2	470 102	25
CS 2,5/3	470 103	20
CS 2,5/4	470 104	15
CS 2,5/5	470 105	10
CS 2,5/10	470 109	5
CS 2,5/20	470 170	10

Technical Data
Rated Impulse Voltage / Pollution severity
Insulation material group / Gauge pin code according to IEC 60947-1
Protection class / Protection conductor type
Marking Tags (Dekafix)
See pages 326-333 for a list of Dekafix

4/3
1/A3
IP20/NA
D-NS 5,2x6, SLF-P2 W

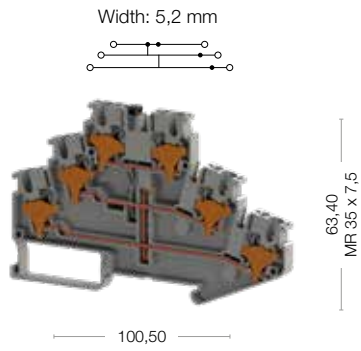
4/3
1/A3
IP20/NA
D-NS 5,2x6, SLF-P2 W

Package Quantity

50

50

PRD 2,5-3FK



Cat No:

- 328 569
- 328 560

Voltage, V ~	Current, A	Cross-Section
500	24	2,5 mm ²

0,08 - 4 mm ²
0,14 - 2,5 mm ²
0,5 mm ²
28-12
8-10
KT1 (0,4x2,5)

Type	Order No	Qty.
NPP/SRD 2,5_3F	451 109	50

Type	Order No	Qty.

Type	Order No	Qty.
TF Ø2	493 020	5

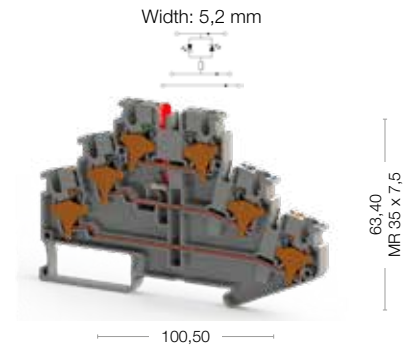
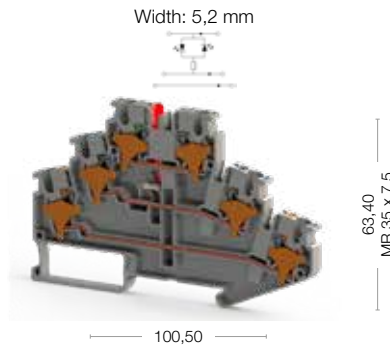
Type	Order No	Qty.
CS 2,5/2	470 102	25
CS 2,5/3	470 103	20
CS 2,5/4	470 104	15
CS 2,5/5	470 105	10
CS 2,5/10	470 109	5
CS 2,5/20	470 170	10

6/3
1/A3
IP20/NA
D-NS 5,2x6, SLF-P2 W

50

PRD 2,5-3F

PRD 2,5-3FLD-24V AC/DC PRD 2,5-3FLD-48V AC/DC



Cat No:

- 328 699
- 328 690

Cat No:

- 328 709
- 328 700



Electrical Ratings
IEC (EN 60947-7-1/EN 60947-7-2)
UL
VDE (IEC 60947-7-1)
CSA
ATEX

Voltage, V ~	Current, A	Cross-Section
24	24	2,5 mm ²

Voltage, V ~	Current, A	Cross-Section
48	48	2,5 mm ²

Connection Data
Conductor cross section solid (min.-max.)
Conductor cross section stranded (min.-max.)
2 conductors with same cross section, stranded, TWIN ferrules with plastic sleeve
AWG Conductor
Insulation Stripping Length (min.-max.)
Screwdriver

0,08 - 4 mm ²
0,14 - 2,5 mm ²
0,5 mm ²
28-12
8-10
KT1 (0,4x2,5)

0,08 - 4 mm ²
0,14 - 2,5 mm ²
0,5 mm ²
28-12
8-10
KT1 (0,4x2,5)

Technical Data For Diode
Diode Reverse Voltage
Diode Current
Diode

End Plate


Type	Order No	Qty.
NPP/SRD 2,5_3F	451 109	50

Type	Order No	Qty.
NPP/SRD 2,5_3F	451 109	50

Partition Plate



Type	Order No	Qty.

Type	Order No	Qty.

Test Plug


Type	Order No	Qty.
TF Ø2	493 020	5

Type	Order No	Qty.
TF Ø2	493 020	5

Cross Connection


Type	Order No	Qty.
CS 2,5/2	470 102	25
CS 2,5/3	470 103	20
CS 2,5/4	470 104	15
CS 2,5/5	470 105	10
CS 2,5/10	470 109	5
CS 2,5/20	470 170	10

Type	Order No	Qty.
CS 2,5/2	470 102	25
CS 2,5/3	470 103	20
CS 2,5/4	470 104	15
CS 2,5/5	470 105	10
CS 2,5/10	470 109	5
CS 2,5/20	470 170	10

Technical Data
Rated Impulse Voltage / Pollution severity
Insulation material group / Gauge pin code according to IEC 60947-1
Protection class / Protection conductor type
Marking Tags (Dekafix)
See pages 326-333 for a list of Dekafix

6/3
1/A3
IP20/NA
D-NS 5,2x6, SLF-P2 W

6/3
1/A3
IP20/NA
D-NS 5,2x6, SLF-P2 W

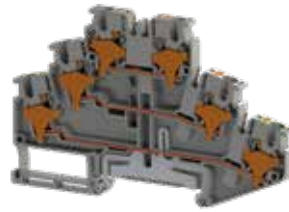
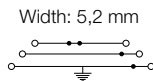
Package Quantity

50

50

PRD 2,5-2FT

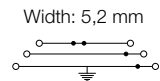
PRD 2,5-2FT



100,50

63,40
MP 35 x 7,5

PRD 2,5-NFT



100,50

63,40
MP 35 x 7,5

Cat No:

- 328 669
- 328 660

Cat No:

- 328 679
- 328 670



Electrical Ratings
IEC (EN 60947-7-1/EN 60947-7-2)
UL
VDE (IEC 60947-7-1)
CSA
ATEX

Voltage, V ~	Current, A	Cross-Section
500	24	2,5 mm ²

Voltage, V ~	Current, A	Cross-Section
500	24	2,5 mm ²

Connection Data
Conductor cross section solid (min.-max.)
Conductor cross section stranded (min.-max.)
2 conductors with same cross section, stranded, TWIN ferrules with plastic sleeve
AWG Conductor
Insulation Stripping Length (min.-max.)
Screwdriver

0,08 - 4 mm ²
0,14 - 2,5 mm ²
0,5 mm ²
28-12
8-10
KT1 (0,4x2,5)

0,08 - 4 mm ²
0,14 - 2,5 mm ²
0,5 mm ²
28-12
8-10
KT1 (0,4x2,5)

Technical Data For Diode
Diode Reverse Voltage
Diode Current
Diode

End Plate

Type	Order No	Qty.
NPP/SRD 2,5_3F	451 109	50

Type	Order No	Qty.
NPP/SRD 2,5_3F	451 109	50

Partition Plate

Type	Order No	Qty.

Type	Order No	Qty.

Test Plug

Type	Order No	Qty.
TF Ø2	493 020	5

Type	Order No	Qty.
TF Ø2	493 020	5

Cross Connection

Type	Order No	Qty.
CS 2,5/2	470 102	25
CS 2,5/3	470 103	20
CS 2,5/4	470 104	15
CS 2,5/5	470 105	10
CS 2,5/10	470 109	5
CS 2,5/20	470 170	10

Type	Order No	Qty.
CS 2,5/2	470 102	25
CS 2,5/3	470 103	20
CS 2,5/4	470 104	15
CS 2,5/5	470 105	10
CS 2,5/10	470 109	5
CS 2,5/20	470 170	10

Technical Data
Rated Impulse Voltage / Pollution severity
Insulation material group / Gauge pin code according to IEC 60947-1
Protection class / Protection conductor type
Marking Tags (Dekafix)
See pages 326-333 for a list of Dekafix

6/3
1/A3
IP20/NA
D-NS 5,2x6, SLF-P2 W

6/3
1/A3
IP20/NA
D-NS 5,2x6, SLF-P2 W

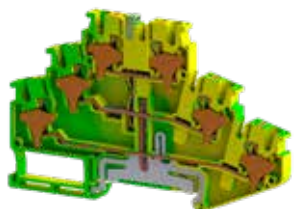
Package Quantity

50

50

PRD 2,5-3T

Width: 5,2 mm



63,40
MF 35 x 7,5

100,50

Cat No:

337 660

Voltage, V ~	Current, A	Cross-Section
		2,5 mm ²

0,08 - 4 mm ²
0,14 - 2,5 mm ²
0,5 mm ²
28-12
8-10
KT1 (0,4x2,5)

Type	Order No	Qty.
NPP/SRD 2,5_3F	451 109	50

Type	Order No	Qty.

Type	Order No	Qty.
TF Ø2	493 020	5

Type	Order No	Qty.

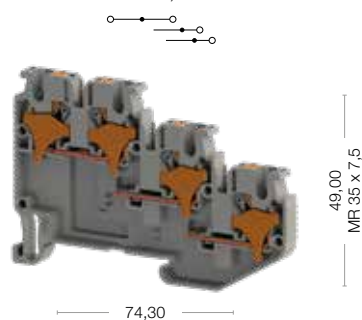
8/3
1/A3
IP20/NA
D-NS 5,2x6, SLF-P2 W

50

PRD 2,5-3S

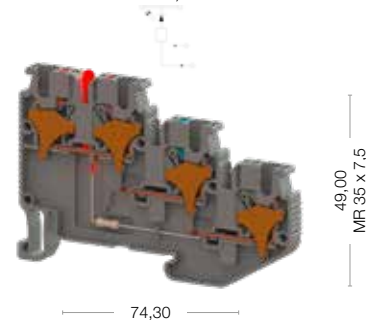
PRD 2,5-3S

Width: 5,2 mm



PRD 2,5-3SLD-NPN

Width: 5,2 mm



Cat No:

- 328 629
- 328 620

Cat No:

- 328 639
- 328 630



Electrical Ratings
IEC (EN 60947-7-1/EN 60947-7-2)
UL
VDE (IEC 60947-7-1)
CSA
ATEX

Voltage, V ~	Current, A	Cross-Section
250	24	2,5 mm ²

Voltage, V ~	Current, A	Cross-Section
24	24	2,5 mm ²

Connection Data
Conductor cross section solid (min.-max.)
Conductor cross section stranded (min.-max.)
2 conductors with same cross section, stranded, TWIN ferrules with plastic sleeve
AWG Conductor
Insulation Stripping Length (min.-max.)
Screwdriver

0,08 - 4 mm ²
0,14 - 2,5 mm ²
0,5 mm ²
28-12
8-10
KT1 (0,4x2,5)

0,08 - 4 mm ²
0,14 - 2,5 mm ²
0,5 mm ²
28-12
8-10
KT1 (0,4x2,5)

Technical Data For Diode
Diode Reverse Voltage
Diode Current
Diode

End Plate


Type	Order No	Qty.
NPP/SRD 2,5-3S	451 179	50

Type	Order No	Qty.
NPP/SRD 2,5-3S	451 179	50

Test Plug


Type	Order No	Qty.
TF Ø2	493 020	5

Type	Order No	Qty.
TF Ø2	493 020	5

Cross Connection


Type	Order No	Qty.
CS 2,5/2	470 102	25
CS 2,5/3	470 103	20
CS 2,5/4	470 104	15
CS 2,5/5	470 105	10
CS 2,5/10	470 109	5
CS 2,5/20	470 170	10

Type	Order No	Qty.
CS 2,5/2	470 102	25
CS 2,5/3	470 103	20
CS 2,5/4	470 104	15
CS 2,5/5	470 105	10
CS 2,5/10	470 109	5
CS 2,5/20	470 170	10

Technical Data
Rated Impulse Voltage / Pollution severity
Insulation material group / Gauge pin code according to IEC 60947-1
Protection class / Protection conductor type
Marking Tags (Dekafix)
See pages 326-333 for a list of Dekafix

4/3
1/A3
IP20/NA
D-NS 5,2x6, SLF-P2 W

4/3
1/A3
IP20/NA
D-NS 5,2x6, SLF-P2 W

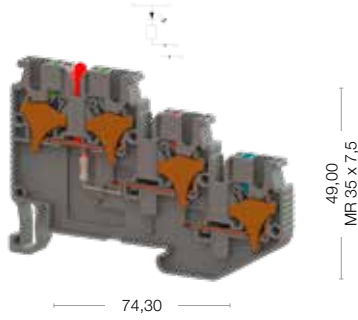
Package Quantity

50

50

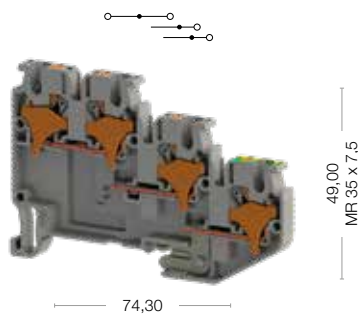
PRD 2,5-3SLD-PNP

Width: 5,2 mm



PRD 2,5-2ST

Width: 5,2 mm



Cat No:

- 328 649
- 328 640

Voltage, V ~	Current, A	Cross-Section
24	24	2,5 mm ²

0,08 - 4 mm ²
0,14 - 2,5 mm ²
0,5 mm ²
28-12
8-10
KT1 (0,4x2,5)

Type	Order No	Qty.
NPP/SRD 2,5-3S	451 179	50

Type	Order No	Qty.
TF Ø2	493 020	5

Type	Order No	Qty.
CS 2,5/2	470 102	25
CS 2,5/3	470 103	20
CS 2,5/4	470 104	15
CS 2,5/5	470 105	10
CS 2,5/10	470 109	5
CS 2,5/20	470 170	10

4/3
1/A3
IP20/NA
D-NS 5,2x6, SLF-P2 W

50

Cat No:

- 328 659
- 328 650

Voltage, V ~	Current, A	Cross-Section
250	24	2,5 mm ²

0,08 - 4 mm ²
0,14 - 2,5 mm ²
0,5 mm ²
28-12
8-10
KT1 (0,4x2,5)

Type	Order No	Qty.
NPP/SRD 2,5-3S	451 179	50

Type	Order No	Qty.
TF Ø2	493 020	5

Type	Order No	Qty.
CS 2,5/2	470 102	25
CS 2,5/3	470 103	20
CS 2,5/4	470 104	15
CS 2,5/5	470 105	10
CS 2,5/10	470 109	5
CS 2,5/20	470 170	10

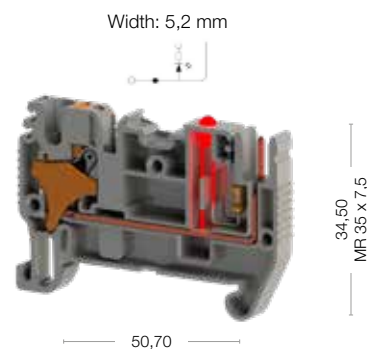
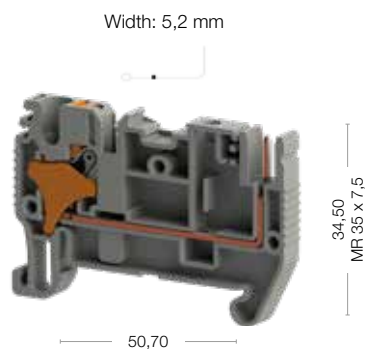
4/3
1/A3
IP20/NA
D-NS 5,2x6, SLF-P2 W

50

PRD 2,5 PC

PRD 2,5-PC

PRD 2,5-PCLD-24V AC/DC



Cat No:

328 789

Cat No:

328 819



Electrical Ratings
IEC (EN 60947-7-1/EN 60947-7-2)
UL
VDE (IEC 60947-7-1)
CSA
ATEX

Voltage, V ~	Current, A	Cross-Section
250	10	2,5 mm ²


Voltage, V ~	Current, A	Cross-Section
250	10	2,5 mm ²

Connection Data
Conductor cross section solid (min.-max.)
Conductor cross section stranded (min.-max.)
2 conductors with same cross section, stranded, TWIN ferrules with plastic sleeve
AWG Conductor
Insulation Stripping Length (min.-max.)
Screwdriver

0,08 - 4 mm ²
0,14 - 2,5 mm ²
0,5 mm ²
28-12
8-10
KT1 (0,4x2,5)

0,08 - 4 mm ²
0,14 - 2,5 mm ²
0,5 mm ²
28-12
8-10
KT1 (0,4x2,5)

Technical Data For Diode
Diode Reverse Voltage
Diode Current
Diode

End Plate



Type	Order No	Qty.
NPP/PRD 2,5 PC	451 459	50

Type	Order No	Qty.
NPP/PRD 2,5 PC	451 459	50

Test Plug


Type	Order No	Qty.
TF Ø2	493 020	5

Type	Order No	Qty.
TF Ø2	493 020	5

Cross Connection


Type	Order No	Qty.
CS 2,5/2	470 102	25
CS 2,5/3	470 103	20
CS 2,5/4	470 104	15
CS 2,5/5	470 105	10
CS 2,5/10	470 109	5
CS 2,5/20	470 170	10

Type	Order No	Qty.
CS 2,5/2	470 102	25
CS 2,5/3	470 103	20
CS 2,5/4	470 104	15
CS 2,5/5	470 105	10
CS 2,5/10	470 109	5
CS 2,5/20	470 170	10

Technical Data
Rated Impulse Voltage / Pollution severity
Insulation material group / Gauge pin code according to IEC 60947-1
Protection class / Protection conductor type
Marking Tags (Dekafix)
See pages 326-333 for a list of Dekafix

4/3
1/A3
IP20/NA
D-NS 5,2x6, SLF-P2 W

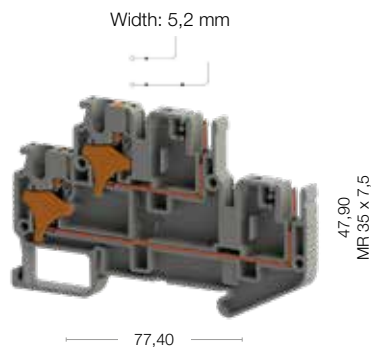
4/3
1/A3
IP20/NA
D-NS 5,2x6, SLF-P2 W

Package Quantity

50

50

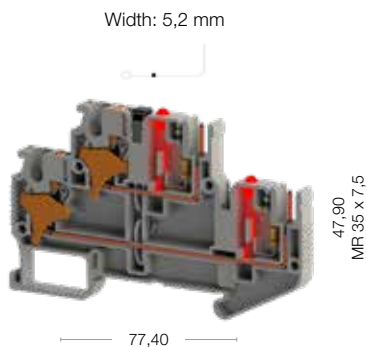
PRD 2,5-2FPC



Cat No:

■ 328 799

PRD 2,5-2FPCLD-24 V AC/DC



Cat No:

■ 328 829

Voltage, V ~	Current, A	Cross-Section
250	10	2,5 mm ²

0,08 - 4 mm ²		
0,14 - 2,5 mm ²		
0,5 mm ²		
28-12		
8-10		
KT1 (0,4x2,5)		

Type	Order No	Qty.
NPP/PRD 2,5-2 FPC	451 469	50

Type	Order No	Qty.
TF Ø2	493 020	5

Type	Order No	Qty.
CS 2,5/2	470 102	25
CS 2,5/3	470 103	20
CS 2,5/4	470 104	15
CS 2,5/5	470 105	10
CS 2,5/10	470 109	5
CS 2,5/20	470 170	10

4/3		
1/A3		
IP20/NA		
D-NS 5,2x6, SLF-P2 W		

50

Voltage, V ~	Current, A	Cross-Section
250	10	2,5 mm ²

0,08 - 4 mm ²		
0,14 - 2,5 mm ²		
0,5 mm ²		
28-12		
8-10		
KT1 (0,4x2,5)		

Type	Order No	Qty.
NPP/PRD 2,5-2 FPC	451 469	50

Type	Order No	Qty.
TF Ø2	493 020	5

Type	Order No	Qty.
CS 2,5/2	470 102	25
CS 2,5/3	470 103	20
CS 2,5/4	470 104	15
CS 2,5/5	470 105	10
CS 2,5/10	470 109	5
CS 2,5/20	470 170	10

4/3		
1/A3		
IP20/NA		
D-NS 5,2x6, SLF-P2 W		

50

PRD 2,5-2FT

PRD 2,5-2FT

PRD 2,5-NFT

Width: 5,2 mm



100,50

Width: 5,2 mm



100,50

63,40
MF 35 x 7,5

63,40
MF 35 x 7,5

Cat No:

- 328 669
- 328 660

Cat No:

- 328 679
- 328 670



Electrical Ratings
IEC (EN 60947-7-1/EN 60947-7-2)
UL
VDE (IEC 60947-7-1)
CSA
ATEX

Voltage, V ~	Current, A	Cross-Section
500	24	2,5 mm ²

Voltage, V ~	Current, A	Cross-Section
500	24	2,5 mm ²

Connection Data
Conductor cross section solid (min.-max.)
Conductor cross section stranded (min.-max.)
2 conductors with same cross section, stranded, TWIN ferrules with plastic sleeve
AWG Conductor
Insulation Stripping Length (min.-max.)
Screwdriver

0,08 - 4 mm ²
0,14 - 2,5 mm ²
0,5 mm ²
28-12
8-10
KT1 (0,4x2,5)

0,08 - 4 mm ²
0,14 - 2,5 mm ²
0,5 mm ²
28-12
8-10
KT1 (0,4x2,5)

Technical Data For Diode
Diode Reverse Voltage
Diode Current
Diod

End Plate


Type	Order No	Qty.
NPP/SRD 2,5_3F	451 109	50

Type	Order No	Qty.
NPP/SRD 2,5_3F	451 109	50

Partition Plate



Type	Order No	Qty.

Type	Order No	Qty.

Test Plug


Type	Order No	Qty.
TF Ø2	493 020	5

Type	Order No	Qty.
TF Ø2	493 020	5

Cross Connection


Type	Order No	Qty.
CS 2,5/2	470 102	25
CS 2,5/3	470 103	20
CS 2,5/4	470 104	15
CS 2,5/5	470 105	10
CS 2,5/10	470 109	5
CS 2,5/20	470 170	10

Type	Order No	Qty.
CS 2,5/2	470 102	25
CS 2,5/3	470 103	20
CS 2,5/4	470 104	15
CS 2,5/5	470 105	10
CS 2,5/10	470 109	5
CS 2,5/20	470 170	10

Technical Data
Rated Impulse Voltage / Pollution severity
Insulation material group / Gauge pin code according to IEC 60947-1
Protection class / Protection conductor type

8/3
1/A3
IP20/NA/PE

8/3
1/A3
IP20/NA/PE

Marking Tags (Dekafix)
See pages 326-333 for a list of Dekafix

D-NS 5,2x6, SLF-P2 W

D-NS 5,2x6, SLF-P2 W

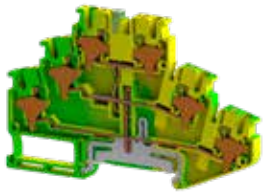
Package Quantity

50

50

PRD 2,5-3T

Width: 5,2 mm



63,40
MR35 x 7,5

100,50

Cat No:

337 660

Voltage, V ~	Current, A	Cross-Section
		2,5 mm ²

0,08 - 4 mm ²
0,14 - 2,5 mm ²
0,5 mm ²
28-12
8-10
KT1 (0,4x2,5)

Type	Order No	Qty.
NPP/SRD 2,5_3F	451 102T	50

Type	Order No	Qty.

Type	Order No	Qty.
TF Ø2	493 020	5

Type	Order No	Qty.

8/3
1/A3
IP20/PE
D-NS 5,2x6, SLF-P2 W

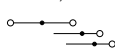
50

PRD 3 S

PRD 2,5-3S

PRD 2,5-3SLD-NPN

Width: 5,2 mm



74,30

Width: 5,2 mm



74,30

49,00
MP 35 x 7,5

49,00
MP 35 x 7,5

Cat No:

- 328 629
- 328 620

Cat No:

- 328 639
- 328 630



Electrical Ratings
IEC (EN 60947-7-1/EN 60947-7-2)
UL
VDE (IEC 60947-7-1)
CSA
ATEX

Voltage, V ~	Current, A	Cross-Section
250	24	2,5 mm ²

Voltage, V ~	Current, A	Cross-Section
24	24	2,5 mm ²

Connection Data
Conductor cross section solid (min.-max.)
Conductor cross section stranded (min.-max.)
2 conductors with same cross section, stranded, TWIN ferrules with plastic sleeve
AWG Conductor
Insulation Stripping Length (min.-max.)
Screwdriver

0,08 - 4 mm ²
0,14 - 2,5 mm ²
0,5 mm ²
28-12
8-10
KT1 (0,4x2,5)

0,08 - 4 mm ²
0,14 - 2,5 mm ²
0,5 mm ²
28-12
8-10
KT1 (0,4x2,5)

Technical Data For Diode
Diode Reverse Voltage
Diode Current
Diode

End Plate

Type	Order No	Qty.
NPP/SRD 2,5-3S	451 179	50

Type	Order No	Qty.
NPP/SRD 2,5-3S	451 179	50

Test Plug

Type	Order No	Qty.
TF Ø2	493 020	5

Type	Order No	Qty.
TF Ø2	493 020	5

Cross Connection

Type	Order No	Qty.
CS 2,5/2	470 102	25
CS 2,5/3	470 103	20
CS 2,5/4	470 104	15
CS 2,5/5	470 105	10
CS 2,5/10	470 109	5
CS 2,5/20	470 170	10

Type	Order No	Qty.
CS 2,5/2	470 102	25
CS 2,5/3	470 103	20
CS 2,5/4	470 104	15
CS 2,5/5	470 105	10
CS 2,5/10	470 109	5
CS 2,5/20	470 170	10

Technical Data
Rated Impulse Voltage / Pollution severity
Insulation material group / Gauge pin code according to IEC 60947-1
Protection class / Protection conductor type

8/3
1/A3
IP20/NA

8/3
1/A3
IP20/NA

Marking Tags (Dekafix)
See pages 326-333 for a list of Dekafix

D-NS 5,2x6, SLF-P2 W

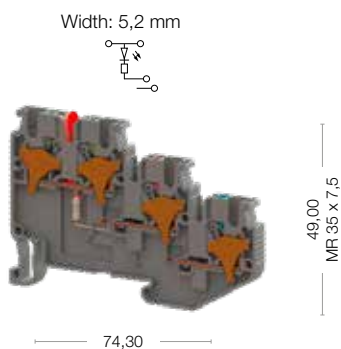
D-NS 5,2x6, SLF-P2 W

Package Quantity

50

50

PRD 2,5-3SLD-PNP



Cat No:

- 328 649
- 328 640

Voltage, V ~	Current, A	Cross-Section
24	24	2,5 mm ²

0,08 - 4 mm ²
0,14 - 2,5 mm ²
0,5 mm ²
28-12
8-10
KT1 (0,4x2,5)

Type	Order No	Qty.
NPP/SRD 2,5-3S	451 179	50

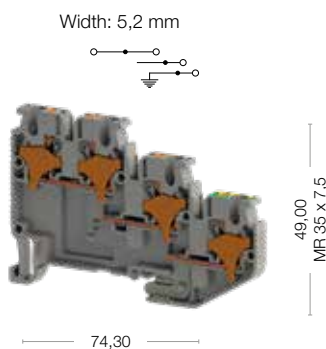
Type	Order No	Qty.
TF Ø2	493 020	5

Type	Order No	Qty.
CS 2,5/2	470 102	25
CS 2,5/3	470 103	20
CS 2,5/4	470 104	15
CS 2,5/5	470 105	10
CS 2,5/10	470 109	5
CS 2,5/20	470 170	10

8/3
1/A3
IP20/NA
D-NS 5,2x6, SLF-P2 W

50

PRD 2,5-2ST



Cat No:

- 328 659
- 328 650

Voltage, V ~	Current, A	Cross-Section
250	24	2,5 mm ²

0,08 - 4 mm ²
0,14 - 2,5 mm ²
0,5 mm ²
28-12
8-10
KT1 (0,4x2,5)

Type	Order No	Qty.
NPP/SRD 2,5-3S	451 179	50

Type	Order No	Qty.
TF Ø2	493 020	5

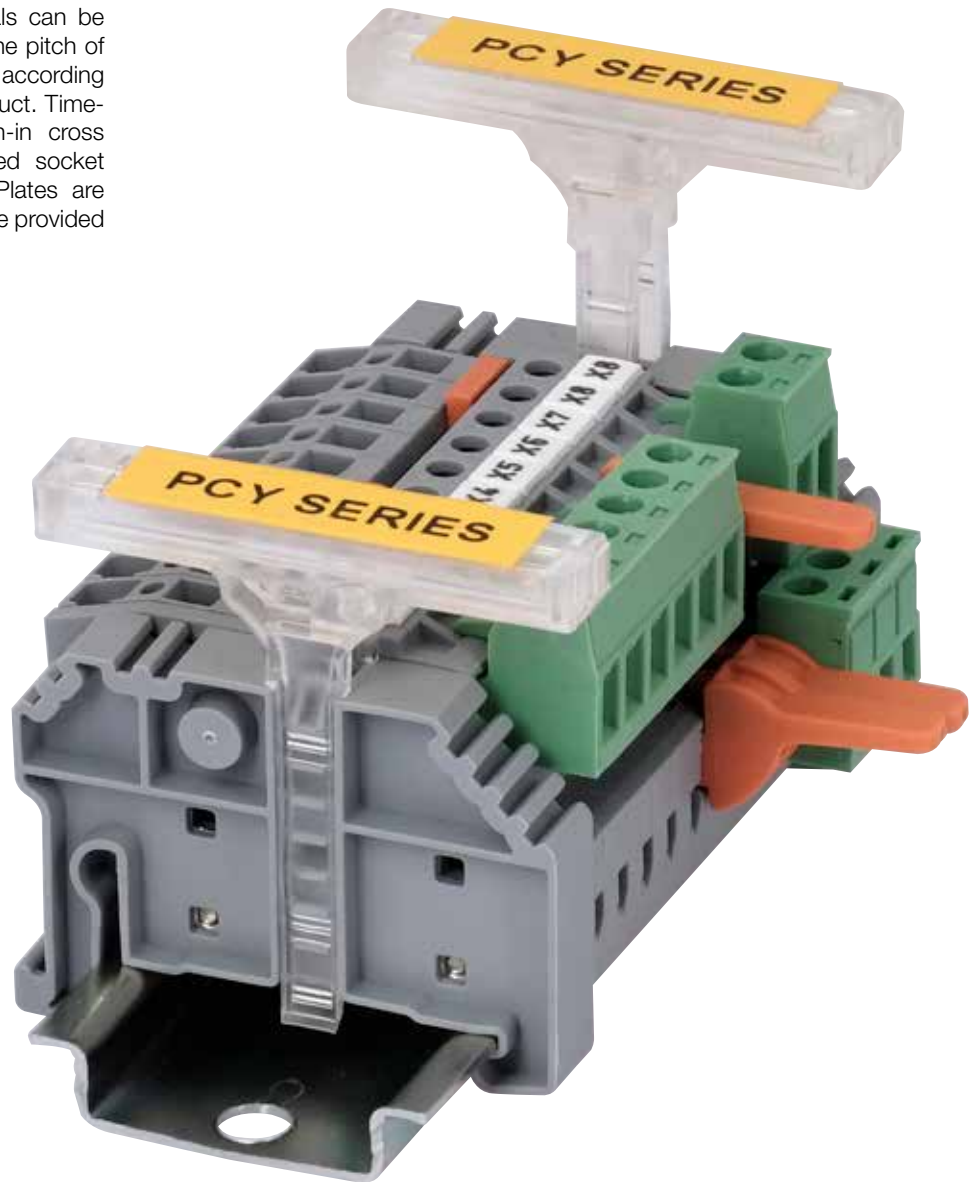
Type	Order No	Qty.
CS 2,5/2	470 102	25
CS 2,5/3	470 103	20
CS 2,5/4	470 104	15
CS 2,5/5	470 105	10
CS 2,5/10	470 109	5
CS 2,5/20	470 170	10

8/3
1/A3
IP20/NA
D-NS 5,2x6, SLF-P2 W

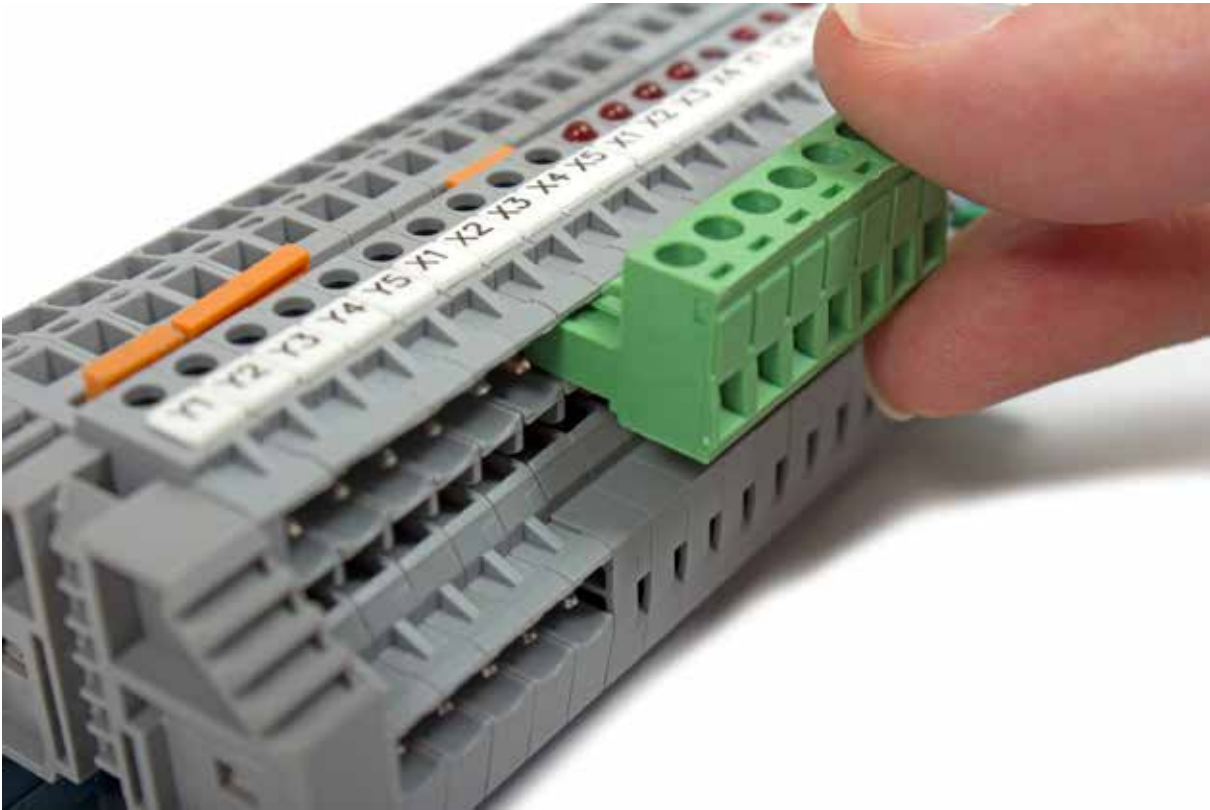
50

PCY Series Terminals

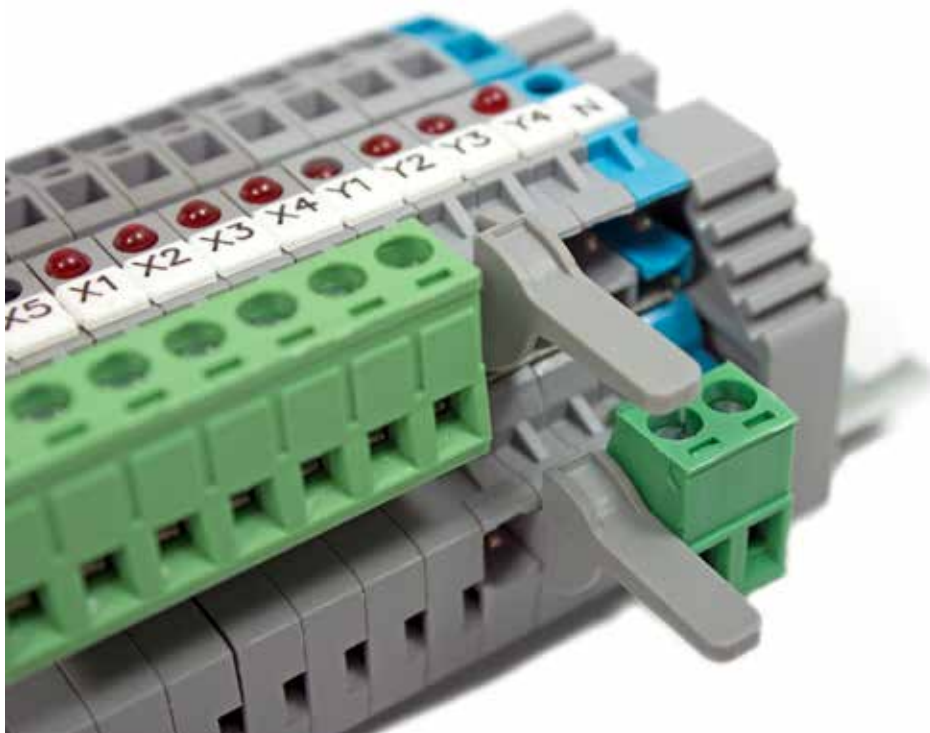
PCY Series Spring Clamp Type Terminals can be used together with PCB Terminals with the pitch of 5,08 mm. LED terminal can be selected according to specified operating voltage of the product. Time-saving and safe accessories like push-in cross connections, Insulation plugs for unused socket outputs to prevent finger touch, End Plates are available. Special Marking solutions can be provided by Plotter Labeling.



AVK 2,5 PC Series Terminals



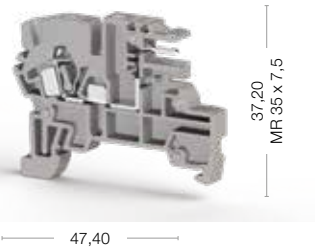
AVK 2,5PC Screw Type Terminals can be used together with PCB Terminals with the pitch of 5,08 mm. Time-saving and safe accessories like comb and screw type cross connections, Insulation plugs for unused socket outputs to prevent finger touch, End Plates are available. Special Marking solutions can be provided by Plotter Labeling.



PCY Type Terminals for PCB Connection

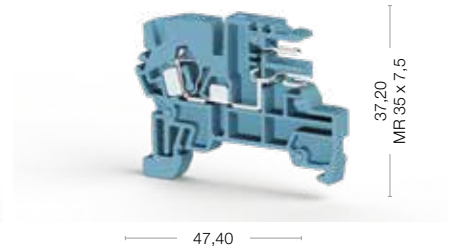
PCY 2,5

Width: 5,05 mm



PCY 2,5 N

Width: 5,05 mm







Cat No:

364 019
364 010

Cat No:

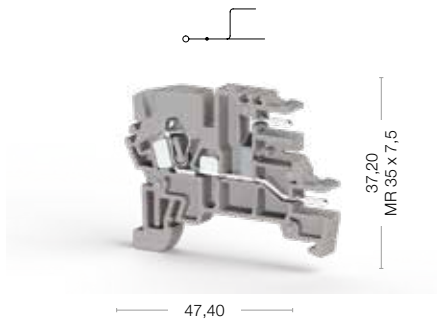
364 080



Electrical Ratings	Voltage, V ~	Current, A	Cross-Section	Voltage, V ~	Current, A	Cross-Section
CE (EN 60947-7-1)	250	10	2,5 mm ²	250	10	2,5 mm ²
UL	300	10	AWG 22-12	300	10	AWG 22-12
VDE (IEC 60947-7-1)						
CSA						
ATEX						
Connection Data						
Conductor cross section solid (min.-max.)	0,08-4 mm ²			0,08-4 mm ²		
Conductor cross section stranded (min.-max.)	0,08-2,5 mm ²			0,08-2,5 mm ²		
2 conductors with same cross section, stranded, TWIN ferrules with plastic sleeve	0,5 mm ²			0,5 mm ²		
AWG Conductor	AWG 28-12			AWG 28-12		
Insulation Stripping Length (min.-max.)	9-10 mm			9-10 mm		
Screwdriver	KT 2 (0,5x3,0)			KT 2 (0,5x3,0)		
Ordering Data						
End Plate						
	Type	Order No	Qty.	Type	Order No	Qty.
	NPP/PCY 2,5	450 199	100	NPP/PCY 2,5 N	450 191	100
Isolation Cover						
 Grey Beige Orange	Type	Order No	Qty.	Type	Order No	Qty.
	PCY IT	423 099	50	PCY IT	423 099	50
	PCY IT	423 090	50	PCY IT	423 090	50
	PCY IT	423 097	50	PCY IT	423 097	50
Push-in Cross Connection						
	Type	Order No	Qty.	Type	Order No	Qty.
	UK 2,5/2	476 222	25	UK 2,5/2	476 222	25
	UK 2,5/3	476 223	20	UK 2,5/3	476 223	20
	UK 2,5/4	476 224	15	UK 2,5/4	476 224	15
	UK 2,5/10	476 229	5	UK 2,5/10	476 229	5
Neutral Bus Bar						
	Type	Order No	Qty.			
	PCY NS	525 400	25			
Technical Data						
Rated Impulse Voltage / Pollution severity	4/3			4/3		
Insulation material group / Gauge pin code according to IEC 60947-1	1/A3			1/A3		
Protection class / Protection conductor type	IP 20 / -			IP 20 / -		
Marking Tags (Dekafix)						
See pages 326-333 for a list of Dekafix	D-NS 5x6, DB 5, DG 6/5			D-NS 5x6, DB 5, DG 6/5		
Package Quantity						
	100 pcs.			100 pcs.		

PCY 2,5 E

Width: 5,05 mm

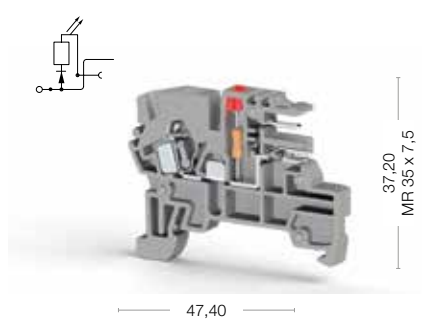


Cat No:

- 364 059
- 364 050

PCY 2,5 L

Width: 5,05 mm

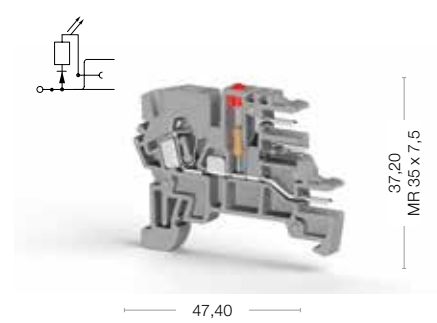


Cat No:

- 364 029
- 364 020

PCY 2,5 EL

Width: 5,05 mm



Cat No:

- 364 069
- 364 060

Voltage, V ~	Current, A	Cross-Section
250	10	2,5 mm ²
300	10	AWG 22-12

0,08-4 mm ²
0,08-2,5 mm ²
0,5 mm ²
AWG 28-12
9-10 mm
KT 2 (0,5x3,0)

Type	Order No	Qty.
PCY 2,5 L (24V DC)	364 029	50
PCY 2,5 L (110V DC)	364 033	50
PCY 2,5 L (220V DC)	364 035	50

Type	Order No	Qty.
NPP/PCY 2,5	450 199	100

Type	Order No	Qty.
PCY IT	423 099	50
PCY IT	423 090	50
PCY IT	423 097	50

Type	Order No	Qty.
UK 2,5/2	476 222	25
UK 2,5/3	476 223	20
UK 2,5/4	476 224	15
UK 2,5/10	476 229	5

4/3
1/A3
IP 20 / -
D-NS 5x6, DB 5, DG 6/5

100 pcs.

Voltage, V ~	Current, A	Cross-Section
	10	2,5 mm ²
	10	AWG 22-12

0,08-4 mm ²
0,08-2,5 mm ²
0,5 mm ²
AWG 28-12
9-10 mm
KT 2 (0,5x3,0)

Type	Order No	Qty.
PCY 2,5 L (24V DC)	364 029	50
PCY 2,5 L (110V DC)	364 033	50
PCY 2,5 L (220V DC)	364 035	50

Type	Order No	Qty.
NPP/PCY 2,5	450 199	100

Type	Order No	Qty.
PCY IT	423 099	50
PCY IT	423 090	50
PCY IT	423 097	50

Type	Order No	Qty.
UK 2,5/2	476 222	25
UK 2,5/3	476 223	20
UK 2,5/4	476 224	15
UK 2,5/10	476 229	5

4/3
1/A3
IP 20 / -
D-NS 5x6, DB 5, DG 6/5

50 pcs.

Voltage, V ~	Current, A	Cross-Section
	10	2,5 mm ²
	10	AWG 22-12

0,08-4 mm ²
0,08-2,5 mm ²
0,5 mm ²
AWG 28-12
9-10 mm
KT 2 (0,5x3,0)

Type	Order No	Qty.
PCY 2,5 EL (24V DC)	364 069	50
PCY 2,5 EL (110V DC)	364 073	50
PCY 2,5 EL (220V DC)	364 075	50

Type	Order No	Qty.
NPP/PCY 2,5	450 199	100

Type	Order No	Qty.
PCY IT	423 099	50
PCY IT	423 090	50
PCY IT	423 097	50

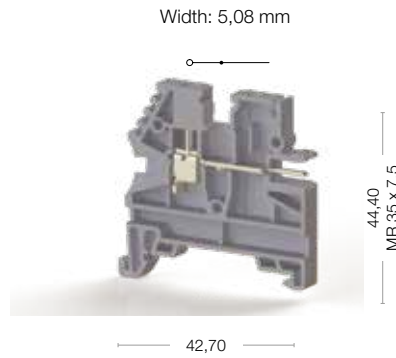
Type	Order No	Qty.
UK 2,5/2	476 222	25
UK 2,5/3	476 223	20
UK 2,5/4	476 224	15
UK 2,5/10	476 229	5

4/3
1/A3
IP 20 / -
D-NS 5x6, DB 5, DG 6/5

50 pcs.

Screw Type Terminal Blocks for PCB Connection

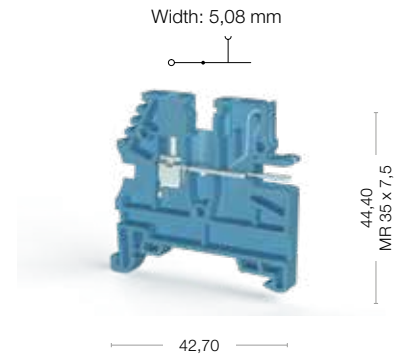
AVK 2,5 PC



Cat No:

304 610
304 609

AVK 2,5 PCN



Cat No:

304 621



Electrical Ratings
CE (EN 60947-7-1)
UL
VDE (IEC 60947-7-1)
CSA
ATEX

Voltage, V ~	Current, A	Cross-Section
250	12	2,5 mm ²

Voltage, V ~	Current, A	Cross-Section
250	12	2,5 mm ²

Connection Data
Conductor cross section solid (min.-max.)
Conductor cross section stranded (min.-max.)
2 conductors with same cross section, stranded, TWIN ferrules with plastic sleeve
AWG Conductor
Insulation Stripping Length (min.-max.)
Screwdriver

0,2-4 mm ²
0,2-4 mm ²
0,5-1,5 mm ²
AWG 24-12
9-10 mm
IKT 3 (0,6x3,5)

0,2-4 mm ²
0,2-4 mm ²
0,5-1,5 mm ²
AWG 24-12
9-10 mm
IKT 3 (0,6x3,5)

End Plate

Type	Order No	Qty.
NPP/AVK 2,5-10	444 120	100

Type	Order No	Qty.
NPP/AVK 2,5-10	444 120	100

Insulation Cover

Grey
Beige
Orange

Type	Order No	Qty.
PCY IT	423 099	50
PCY IT	423 090	50
PCY IT	423 097	50

Type	Order No	Qty.
PCY IT	423 099	50
PCY IT	423 090	50
PCY IT	423 097	50

Cross Connection


Type	Order No	Qty.
UK 2,5/2	474 122	25
UK 2,5/3	474 123	20
UK 2,5/4	474 124	15
UK 2,5/10	474 129	5
UK 2,5/50	474 210	20

Type	Order No	Qty.
UK 2,5/2	474 122	25
UK 2,5/3	474 123	20
UK 2,5/4	474 124	15
UK 2,5/10	474 129	5
UK 2,5/50	474 210	20

Comb Connector


Type	Order No	Qty.
TKO 2,5/2	476 262	25
TKO 2,5/3	476 263	20
TKO 2,5/4	476 264	15
TKO 2,5/10	476 269	5

Type	Order No	Qty.
TKO 2,5/2	476 262	25
TKO 2,5/3	476 263	20
TKO 2,5/4	476 264	15
TKO 2,5/10	476 269	5

Neutral Busbar


Type	Order No	Qty.
PCY NS	525 400	25

Type	Order No	Qty.
PCY NS	525 400	25

Technical Data
Rated Impulse Voltage / Pollution severity
Insulation material group / Gauge pin code according to IEC 60947-1
Protection class / Protection conductor type
Marking Tags (Dekafix)
See pages 326-333 for a list of Dekafix

4/3
1/A3
IP 20 / -
D-NS 5x10, DB 10/5, DG 10/5, DG 10/5T

4/3
1/A3
IP 20 / -
D-NS 5x10, DB 10/5, DG 10/5, DG 10/5T

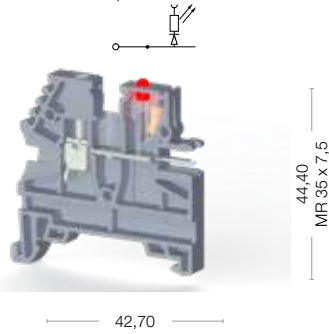
Package Quantity

100 pcs.

100 pcs.

AVK 2,5 PCLD/24VDC

Width: 5,08 mm



Cat No:

- 304 630
- 304 639

Voltage, V ~	Current, A	Cross-Section
24	12	2,5 mm ²

0,2-4 mm ²
0,2-4 mm ²
0,5-1,5 mm ²
AWG 24-12
9-10 mm
IKT 3 (0,6x3,5)

Type	Order No	Qty.
NPP/AVK 2,5-10	444 120	100

Type	Order No	Qty.
PCY IT	423 099	50
PCY IT	423 090	50
PCY IT	423 097	50

Type	Order No	Qty.
UK 2,5/2	474 122	25
UK 2,5/3	474 123	20
UK 2,5/4	474 124	15
UK 2,5/10	474 129	5
UK 2,5/50	474 210	20

Type	Order No	Qty.
TKO 2,5/2	476 262	25
TKO 2,5/3	476 263	20
TKO 2,5/4	476 264	15
TKO 2,5/10	476 269	5

Type	Order No	Qty.
PCY NS	525 400	25

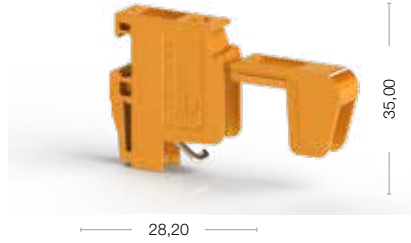
4/3
1/A3
IP 20 / -
D-NS 5x10, DB 10/5, DG 10/5, DG 10/5T

100 pcs.

Transformer Terminals Blocks

TRV 4

Width: 7,5 mm

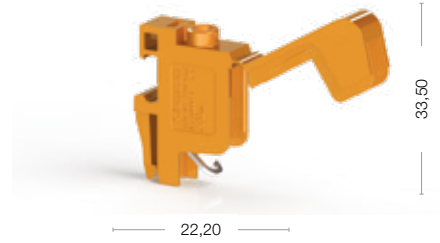


Cat No:

422 017

TRV 4 B

Width: 7,5 mm



Cat No:

422 057



Electrical Ratings	Voltage, V ~	Current, A	Cross-Section	Voltage, V ~	Current, A	Cross-Section
CE (EN 60947-7-1 - EN 60947-7-2)	750	25	4 mm ²	750	25	4 mm ²
UL	600	20	AWG 26-10	600	20	AWG 26-10
VDE (IEC 60947-7-1)						
CSA						
ATEX						
Connection Data						
Conductor cross section solid (min.-max.)	0,2-6 mm ²		0,2-6 mm ²		0,2-6 mm ²	
Conductor cross section stranded (min.-max.)	0,2-6 mm ²		0,2-6 mm ²		0,2-6 mm ²	
2 conductors with same cross section, stranded, TWIN ferrules with plastic sleeve, (min.-max.)	0,5-2,5 mm ²		0,5-2,5 mm ²		0,5-2,5 mm ²	
AWG Conductor	AWG 24-10		AWG 24-10		AWG 24-10	
Insulation Stripping Length (min.-max.)	9-10 mm		9-10 mm		9-10 mm	
Torque (min.-max.)	0,5-0,8 Nm		0,5-0,8 Nm		0,5-0,8 Nm	
Screwdriver	IKT 3 (0,6x3,5)		IKT 3 (0,6x3,5)		IKT 3 (0,6x3,5)	
Technical Data						
Rated Impulse Voltage / Pollution severity	8/3		8/3		8/3	
Insulation material group / Gauge pin code according to IEC 60947-1	1/B4		1/A4		1/A4	
Protection class / Protection conductor type	IP 20 / -		IP 20 / -		IP 20 / -	
Marking Tags (Dekafix)						
See pages 326-333 for a list of Dekafix	DB 7,5x4,5, DG 7/5		DB 7,5x4,5, DG 7/5		DB 7,5x4,5, DG 7/5	
Package Quantity	50 pcs.		50 pcs.		50 pcs.	

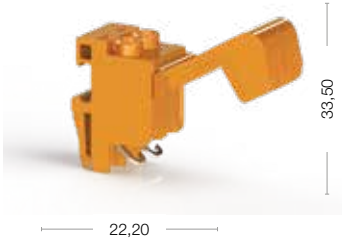
Color

Color code is the last digit of the order number

Grey	Green- Yellow	Orange	Beige
304 119	60	17	10

TRV 4 M

Width: 15 mm

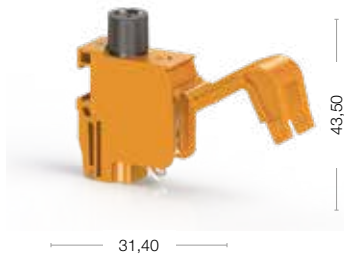


Cat No:

422 047

TRV 4 S

Width: 12,50 mm

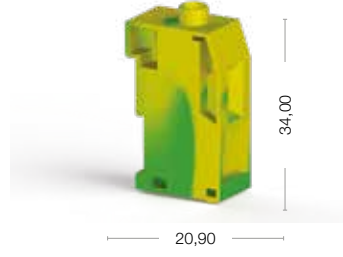


Cat No:

422 027

TRV 4 T

Width: 12 mm

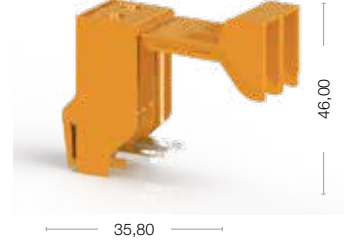


Cat No:

422 060

TRV 10

Width: 22 mm



Cat No:

422 037

Voltage, V ~	Current, A	Cross-Section
750	25	4 mm ²
600	20	AWG 26-10

0,2-6 mm ²		
0,2-6 mm ²		
0,5-2,5 mm ²		
AWG 24-10		
9-10 mm		
0,5-0,8 Nm		
IKT 3 (0,6x3,5)		

8/3		
1/B4		
IP 20 / -		
DB 7,5x4,5, DG 7/5		

50 pcs.

Voltage, V ~	Current, A	Cross-Section
500	10	4 mm ²
300	10	AWG 26-10

0,2-6 mm ²		
0,2-6 mm ²		
0,5-2,5 mm ²		
AWG 24-10		
9-10 mm		
0,5-0,8 Nm		
IKT 3 (0,6x3,5)		

8/3		
1/B4		
IP 20 / -		
D-NS 5x6, DB 5, DB 7,5x4,5, DG 6/5		

50 pcs.

Voltage, V ~	Current, A	Cross-Section
		4 mm ²
		AWG 26-10

0,2-6 mm ²		
0,2-6 mm ²		
0,5-2,5 mm ²		
AWG 24-10		
9-10 mm		
0,5-0,8 Nm		
IKT 3 (0,6x3,5)		

8/3		
1/B4		
IP 20 / -		
DB 7,5x4,5, DG 7/5		

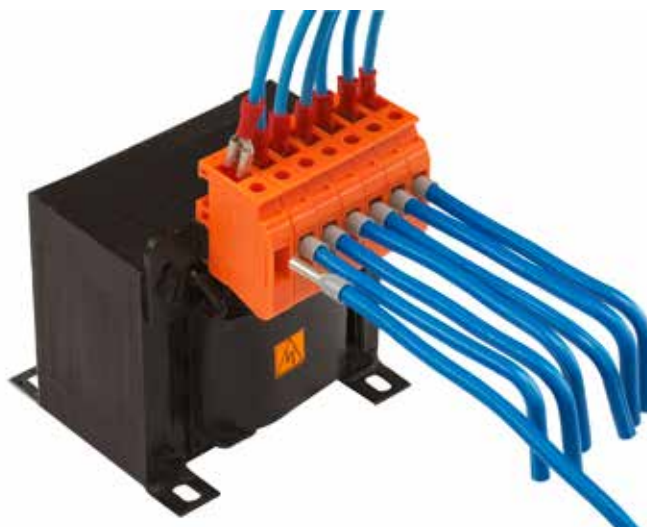
50 pcs.

Voltage, V ~	Current, A	Cross-Section
750	63	10 mm ²
600	55	AWG 16-6

0,5-16 mm ²		
0,5-16 mm ²		
0,5-6 mm ²		
AWG 20-6		
11-12 mm		
1,2-1,8 Nm		
IKT 4 (0,8x40)		

8/3		
1/B6		
IP 20 / -		
DB 7,5x4,5, DG 7/5		

25 pcs.



Color			
Color code is the last digit of the order number			
Grey	Green- Yellow	Orange	Beige
304 119	60	17	10

Terminals Strips

- The product in the figure is the new psk 1/2 terminal strip.
- For allowing marking, label slots are designed according to DB 5 and DG 6/5 Marking Tags (Dekafix)
- Assembly of the terminal should be made with maximum 3 mm Width screw.

PSK 1/2
420 020

PSK 1/12
420 120

PSK 2/2
421 020

PSK 2/10
421 100



Electrical Ratings	Voltage / Current / Cross-Section	Voltage / Current / Cross-Section	Voltage / Current / Cross-Section	Voltage / Current / Cross-Section
TSE (EN 60998-2-1)	400 V ~ / 24 A / 2,5 mm ²	400 V ~ / 24 A / 2,5 mm ²	660 V ~ / 41 A / 6 mm ²	660 V ~ / 41 A / 6 mm ²
Insulation Stripping Length (min.-max.)	5 mm	5 mm	9 mm	9 mm
Torque	0,4 - 0,6 Nm	0,4 - 0,6 Nm	0,5 - 0,8 Nm	0,5 - 0,8 Nm
Qty.	100	100	100	20
Screwdriver	IKT3 (0,6x3,5)			

Junction Box Terminals

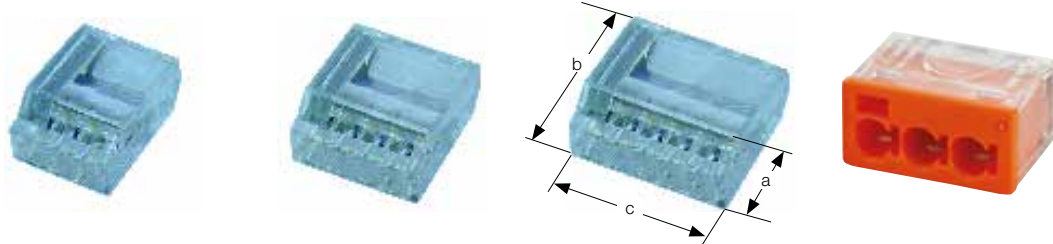
- Suitable for 1,5 - 2,5 mm² solid strand cables
- Cage clamp connection
- One-point test
- Disassembling by turning the cable left

BUK 2,5/3
425 235

BUK 2,5/4
425 245

BUK 2,5/5
425 255

BUK 4/3
425 350



Electrical Ratings	Voltage / Current / Cross-Section	Voltage / Current / Cross-Section	Voltage / Current / Cross-Section	Voltage / Current / Cross-Section
IEC 60998-1, IEC 60998-2-1 (VDE)	450 V ~ / 24 A / 2,5 mm ²	450 V ~ / 24 A / 2,5 mm ²	450 V ~ / 24 A / 2,5 mm ²	450 V ~ / 32 A / 4 mm ²
Connection Data				
Solid Strand	1,0 - 2,5 mm ²	1,0 - 2,5 mm ²	1,0 - 2,5 mm ²	0,5 - 4 mm ²
Insulation Stripping Length (min.-max.)	7 mm	7 mm	7 mm	11 mm
AWG Conductor	22 ... 12	22 ... 12	22 ... 12	22...16
Dimensions				
a	9,4	9,4	9,4	10
b	19,4	19,4	19,4	19,2
c	13,8	17,6	21,1	19,1
Qty.	100	100	100	50

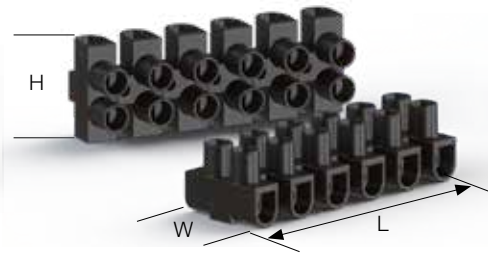
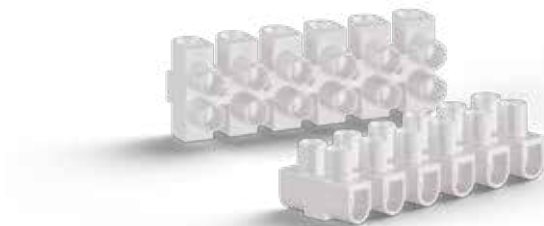
Terminal Strips

SK 1
 ■ 430 002
 □ 431 002

SK 2
 ■ 430 012
 □ 431 012

SK 3
 ■ 430 022
 □ 431 022

SK 4
 ■ 430 032
 □ 431 032



Electrical Ratings	Voltage / Current / Cross-Section	Voltage / Current / Cross-Section	Voltage / Current / Cross-Section	Voltage / Current / Cross-Section
IEC 60998-1, IEC 60998-2 (VDE)	450 V ~ / 32 A / 2,5 mm ²	450 V ~ / 41 A / 4 mm ²	450 V ~ / 57 A / 6 mm ²	450 V ~ / 76 A / 16 mm ²
UL	300 V ~ / 20 A / AWG 22 - 10	300 V ~ / 30 A / AWG 22 - 10	300 V ~ / 50 A / AWG 14 - 8	300 V ~ / 55 A / AWG 10 - 6
Torque	0,4 Nm	0,5 Nm	0,8 Nm	1,1 Nm
Connection Data				
Solid Strand, Screw Connection	0,75 - 4 mm ²	0,75 - 6 mm ²	1,5 - 6 mm ²	6 - 16 mm ²
Fine Strand, Screw Connection	0,5 - 2,5 mm ²	0,5 - 4 mm ²	1,5 - 6 mm ²	6 - 10 mm ²
Insulation Stripping Length / Torque	7 mm	8 mm	10 mm	10 mm
AWG Conductor	22...12	22...10	14...8	10...6
Dimensions				
L	95	116	135	175
W	16	19	22,5	25
H	12,8	15	17,65	21
Qty.				
Black (With Screw Blockage, Passivated)	50	50	50	50
Naturel (With Screw Blockage, Ni Coated)	50	50	50	50

Clamping Yokes and Accessories

SBK 16/5
401 173

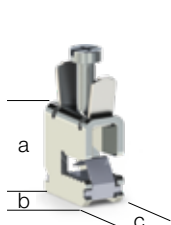
SBK 16/10
401 174

SBK 35/5
401 182

SBK 35/10
401 183

SBK 50/5
401 501

SBK 50/10
401 502

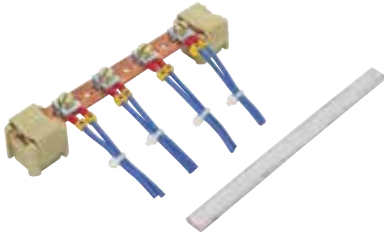


Electrical Ratings	SBK 16/5	SBK 16/10	SBK 35/5	SBK 35/10	SBK 50/5	SBK 50/10
Cross-Section	1,5 - 16 mm ²	1,5 - 16 mm ²	16 - 35 mm ²	16 - 35 mm ²	25 - 50 mm ²	25 - 50 mm ²
Busbars Used	... x 5 mm	... x 10 mm	... x 5 mm	... x 10 mm	... x 5 mm	... x 10 mm
Torque	4 Nm	4 Nm	6 Nm	6 Nm	8 Nm	8 Nm
Qty.						
	100	100	25	25	25	25
Connection Data						
Insulation Stripping Length	22 mm	22 mm	30 mm	30 mm	36 mm	36 mm
AWG Conductor	14 ... 6	14 ... 6	10 ... 2	10 ... 2	6 ... 10	6 ... 10
Dimensions						
a	25,0	29,3	31,0	36,0	41,0	46,0
b	21,5	21,5	29,0	29,0	35,0	35,0
c	11,7	11,7	16,3	16,3	17,5	17,0

Busbars



KUB 1 - 2

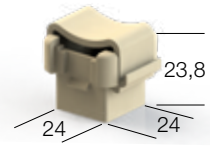


KUB 3

Single strand screw connection :
0,5 2,5 mm
Insulation Stripping Length : 9 mm

Type	Order No	Current (A)	Material	Dimensions (mm)	Qty.
KUB 1	525 100	80	E - Cu	15 x 2	1 m
KUB 1/2	525 101	80	E - Cu	15 x 2	50 cm
KUB 2	525 200	140	E - Cu	15 x 3	1 m
KUB 2/2	525 201	140	E - Cu	15 x 3	50 cm
KUB 3	525 300	140	E - Cu	10 x 3	1 m
KUB 3/3	525 350	140	Tin Coated E - Cu	10 x 3	1 m
KUB 4	525 320	140	Tin Plated - Copper	12 x 3	1 m
KUB 4	525 310	140	Copper	12 x 3	1 m

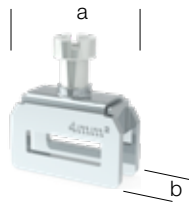
BM 528 110



Dimensions	Material	Qty.
15 x 2	PA 6,6	50
15 x 3		
12 x 3		
10 x 3		

Clamping Yokes and Accessories

BKN 4 525 410



BKN 16 525 420



BKN 35 525 430



Electrical Ratings

	BKN 4	BKN 16	BKN 35
Cross-Sec.	4 mm ²	16 mm ²	35 mm ²
Insulation Stripping Length (min.-max.)	16 mm	16 mm	16 mm
Fixing Screw	M 4	M 5	M 6
Busbar Dimensions	10 x 3 / 12 x 3	10 x 3 / 12 x 3	10 x 3 / 12 x 3
Isolation Width	-	-	-
Torque	1,5 - 1,8 Nm	2,5 - 3 Nm	3,2 - 3,7 Nm

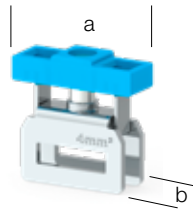
Qty.	BKN 4	BKN 16	BKN 35
	50	50	50

Connection Data

	BKN 4	BKN 16	BKN 35
Solid Strand	0,5 ... 6 mm ²	1,5 ... 16 mm ²	2,5 ... 35 mm ²
Fine Strand,	0,5 ... 4 mm ²	1,5 ... 16 mm ²	2,5 ... 35 mm ²
AWG Conductor	20 ... 10	16 ... 6	14 ... 2

Dimensions		BKN 4	BKN 16	BKN 35
a		18	18	18
b		7	10	14

IBKN 4
525 441



IBKN 16
525 451

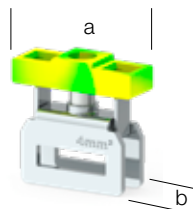


IBKN 35
525 461



Electrical Ratings				
Cross-Sec.		4 mm ²	16 mm ²	35 mm ²
Insulation Stripping Length (min.-max.)		16 mm	16 mm	16 mm
Fixing Screw		M 4	M 5	M 6
Busbar Dimensions		10 x 3 / 12 x 3	10 x 3 / 12 x 3	10 x 3 / 12 x 3
Isolation Width		Blue	Blue	Blue
Torque		1,5 - 1,8 Nm	2,5 - 3 Nm	3,2 - 3,7 Nm
Qty.				
		50	50	50
Connection Data				
Solid Strand		0,5 ... 6 mm ²	1,5 ... 16 mm ²	2,5 ... 35 mm ²
Fine Strand,		0,5 ... 4 mm ²	1,5 ... 16 mm ²	2,5 ... 35 mm ²
AWG Conductor		20 ... 10	16 ... 6	14 ... 2
Dimensions				
	a	18	18	18
	b	7	10	14

IBKN 4
525 442T



IBKN 16
525 452T



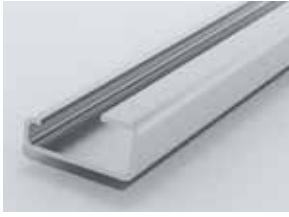
IBKN 35
525 462T



Electrical Ratings				
Cross-Sec.		4 mm ²	16 mm ²	35 mm ²
Insulation Stripping Length (min.-max.)		16 mm	16 mm	16 mm
Fixing Screw		M 4	M 5	M 6
Busbar Dimensions		10 x 3 / 12 x 3	10 x 3 / 12 x 3	10 x 3 / 12 x 3
Isolation Width		Yellow-Green	Yellow-Green	Yellow-Green
Torque		1,5 - 1,8 Nm	2,5 - 3 Nm	3,2 - 3,7 Nm
Qty.				
		50	50	50
Connection Data				
Solid Strand		0,5 ... 6 mm ²	1,5 ... 16 mm ²	2,5 ... 35 mm ²
Fine Strand,		0,5 ... 4 mm ²	1,5 ... 16 mm ²	2,5 ... 35 mm ²
AWG Conductor		20 ... 10	16 ... 6	14 ... 2
Dimensions				
	a	18	18	18
	b	7	10	14

DIN Rails

MR 32



MR 35 x 7,5



MR 35 x 7,5



General Features				
Order No	500 101	500 601	500 602	500 602E
Unit Length (m)	1	1	1	1
Description	Non-Slotted Zinc Coated Steel	Non-Slotted Zinc Coated Steel	Slotted Zinc Coated Steel	Slotted Galvanised Steel Sheet
Qty. (pcs.)	10	20	20	20
Order No		500 603	500 604	500 604E
Unit Length (m)		2	2	2
Description		Non-Slotted Zinc Coated Steel	Non-Slotted Zinc Coated Steel	Slotted Galvanised Steel Sheet
Qty. (pcs.)		20	20	20
Order No		500 605		
Unit Length (m)		0,3		
Description		Non-Slotted		
Qty. (pcs.)		20		

MR 35 x 15



MR 35 x 15



MR 15 x 5,5



MR 15 x 5,5



500 606	500 607	500 610	500 611
1	1	1	1
Non-Slotted / Zinc Coated Steel	Slotted / Zinc Coated Steel	Non-Slotted / Zinc Coated Steel	Slotted / Zinc Coated Steel
10	10	20	20
500 608	500 609	500 612	500 613
2	2	2	2
Non-Slotted / Zinc Coated Steel	Slotted / Zinc Coated Steel	Non-Slotted / Zinc Coated Steel	Slotted / Zinc Coated Steel
10	10	20	20

Cable Clamps



Order No	Product	Max. Cable Tie Width (mm)	Dimensions (mm)	Qty.
510 110	K 1	8 - 12	19x51	25
510 120	K 2	11 - 18	22,5x50	25
510 130	K 3	12 - 23	28,5x55	25

Cable Clamp Rail



Order No	Product	Dimensions (mm)	Qty.
510 500	KR 1	20x35	1

Rail Cutting Tool

Order No	Product	Cutting Thickness	Cutting Capacity	Length Adjustment	Qty.
500 650	KRKM	1,5 mm	7.5x35 mm 15x35 mm Tij Ø8mm	100 cm	1



DIN Rail Support



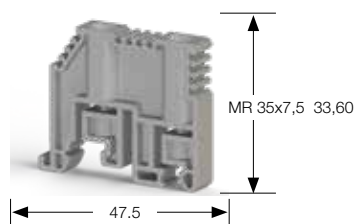
RT

General Features	
Order No	501 101
Qty.	25

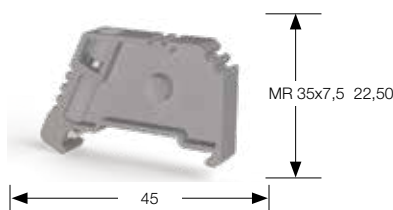
- 3 different cutting slots
- Clean Cut
- Lossless cutting
- Non-blunting knife
- Length adjustment guide

End Brackets

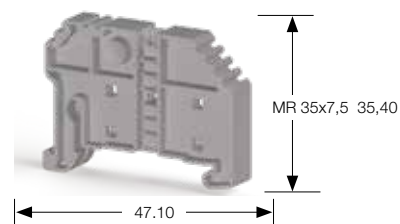
WGD 1



**KD 3
KD 3 /NM**

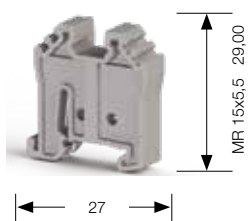


**KD 4
KD 4 / NM**

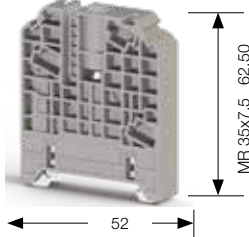


Order No	495 039 - Grey 495 030 - Beige	495 049 - Grey 495 040 - Beige	495 059 - Grey 495 050 - Beige
	Screw-type end bracket mounted on MR32 and MR 35 types of DIN-rail. Can be used together with Screw Connection feed-through one level terminals.	Screw-type end bracket mounted on MR 35 type of DIN-rail. Can be used together with Screw Connection feed-through one level terminals.	Without screw end bracket mounted on MR 35 type of DIN-rail. Can be used together with Spring Clamp and Practical Spring Clamp feed-through terminals.
Qty.	100	100	100
Marker		508 530 SIFX 0615Y (6x15 mm)	508 530 SIFX 0615Y (6x15 mm)

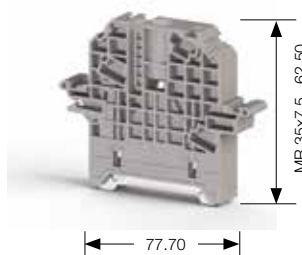
KD 5



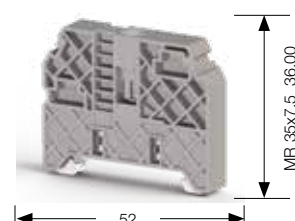
**KD 6
KD 6 / NM**



KD 6A

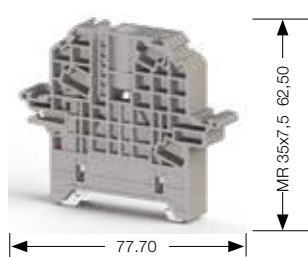


**KD 7
KD 7 / NM**

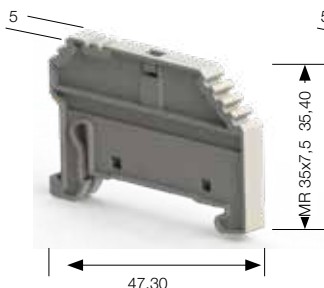


Order No	495 069 - Grey 495 060 - Beige	495 099 - Grey 495 090 - Beige	495 109 - Grey 495 100 - Beige	495 219 - Grey 495 210 - Beige
	Without screw end bracket mounted on MR 15 type of DIN-rail. Can be used together with Mini Screw Connection and Mini Spring Clamp feed-through terminals.	Screw-type end bracket mounted on MR 35 type of DIN-rail. Can be used together with feed-through terminals for big cross-sections.	Screw-type end bracket mounted on MR 35 type of DIN-rail. Can be used together with feed-through terminals for big cross-sections.	Screw type end bracket mounted on MR 35 type of DIN-rail. Can be used together with feed-through terminals for small and middle cross-sections.
Qty.	100	50	50	50

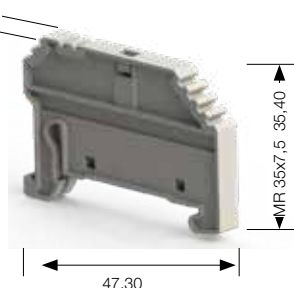
KD 6T



KD 8



KD 8/NM



ME4



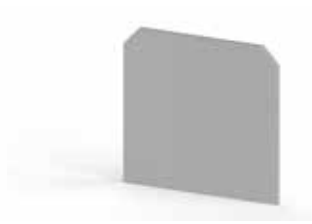
Order No	495 209 - Grey 495 200 - Beige	495 229 - Grey 495 220 - Beige	497 069 - Grey	ME	496 329 - Grey
				ME	496 320 - Beige
	Screw type end bracket mounted on MR 35 type of DIN-rail. Can be used together with feed-through terminals for high cross-sections. Provides distribution block with 10x3 mm busbar.	Without screw end bracket mounted on MR 35 type of DIN-rail. Can be used together with feed-through terminals for big cross-sections.	Without screw end bracket mounted on MR 35 type of DIN-rail. Can be used together with feed-through terminals for big cross-sections.	Suitable for KD 8 and KD 8/NM 808 505 KCIP - Y 8x20 808 409 PYE-05 YL 18x8	
Qty.	50	50	50	25	

Seperation Plate

APP/AVK 2,5-10
APP/AVK 2,5-10 / NM



APP/AVK 16
APP/AVK 16 / NM



APP/AVK 16RD
APP/AVK 16RD / NM



Order No	462 120 - Grey		462 160 - Grey		462 170 - Grey	
	462 129 - Beige		462 169 - Beige		462 179 - Beige	
Technical Data		NM		NM		NM
Insulating material	PA	PA	PA	PA	PA	PA
Inflammability class according to UL 94	V2	V0	V2	V0	V2	V0
Packing unit (pcs.)	25	25	25	25	25	25
Continuous operating temp. max.	120°C	130°C	120°C	130°C	120°C	130°C
Continuous operating temp. min.	-55°C	-60°C	-55°C	-60°C	-55°C	-60°C
Dimensions (mm)						
Width	1,2		1,5		1,5	
Length	42,70		49,40		52,80	
Height	39		45		50,70	

APP/AVK 35RD
APP/AVK 35RD / NM



APP-PB 2,5-6/NM



APP-PB 25/NM



Order No	462 180 - Grey		464 009 - Grey		464 019 - Grey	
	462 189 - Beige		464 000 - Beige		464 010 - Beige	
Technical Data		NM		NM		NM
Insulating material	PA	PA	PA	PA	PA	PA
Inflammability class according to UL 94	V2	V0	V0	V0	V0	V0
Packing unit (pcs.)	10	25	25	25	25	25
Continuous operating temp. max.	120°C	130°C	120°C	130°C	120°C	130°C
Continuous operating temp. min.	-55°C	-60°C	-55°C	-60°C	-55°C	-60°C
Dimensions (mm)						
Width	1,5		1,5		2	
Length	52,80		55,70		109	
Height MR 35x7,5	63,70		59		69,80	
Height MR 35x15	71,20		66,50		77,30	
Height MR 32	68,30		63,60		74,40	

Small Partition

Type	Color	Description	Order No	Qty.
AD 1	Grey	AVK 2,5 - 10	467 919	100
AD 2	Grey	AVK 16 RD / 35 RD	468 059	100
AD 3	Grey	AVK 16 RD / 35 RD	468 059	100



Seperation Plate

APP/PYK 1,5-2,5-4
APP/PYK 1,5-2,5-4 / NM



APP/PYK 6
APP/PYK 6 / NM

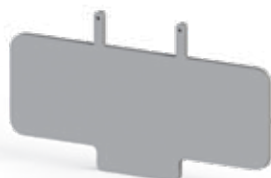


APP/PYK 10
APP/PYK 10 / NM



Order No	463 180 - Grey		463 190 - Grey		463 200 - Grey	
	463 189 - Beige		463 199 - Beige		463 209 - Beige	
Technical Data		NM		NM		NM
Insulating material	PA	PA	PA	PA	PA	PA
Inflammability class according to UL 94	V2	V0	V2	V0	V2	V0
Packing unit (pcs.)	25	25	25	25	25	25
Continuous operating temp. max.	120°C	130°C	120°C	130°C	120°C	130°C
Continuous operating temp. min.	-55°C	-60°C	-55°C	-60°C	-55°C	-60°C
Dimensions (mm)						
Width	2		2		2	
Length	65,50		75,60		85,40	
Height MR 35x7,5	47,20		49,40		54,20	
Height MR 35x15	54,70		56,90		61,70	
Height MR 32	-		-		-	

APP/WGO 5

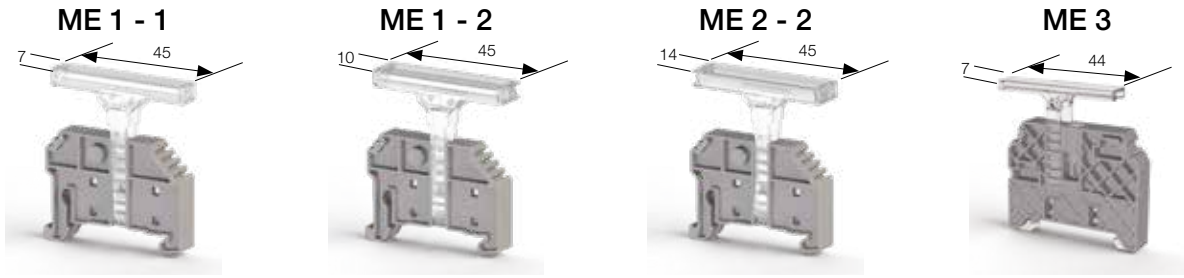


SKK-MR35



Order No	463 219 - Grey		468 069 - Grey	
	463 210 - Beige		468 060 - Beige	
Technical Data				
Insulating material	PA		PA	
Inflammability class according to UL 94	V2		V2	
Packing unit (pcs.)	25		10	
Continuous operating temp. max.	120°C		120°C	
Continuous operating temp. min.	-55°C		-55°C	
Dimensions (mm)				
Width	2,50		2,10	
Length	93,40		75	
Height MR 35x7,5	51,30		85,50	
Height MR 35x15	-		93	
Height MR 32	-		90,10	

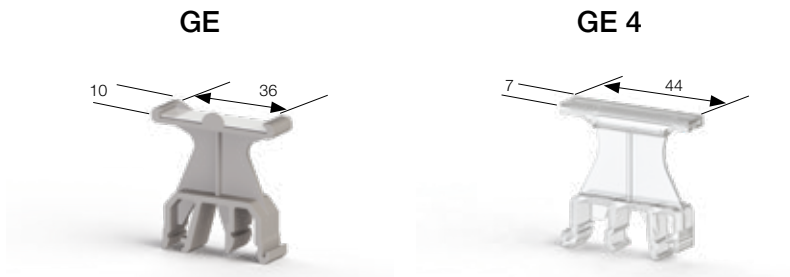
Modular Group Markers



Order No	496 12A - Transparent	496 13A - Transparent	496 14A - Transparent	496 300 - Transparent
Qty.	25	25	25	50
End Stopper	KD 4 - KD 6 - KD 6T	KD 4 - KD 6 - KD 6T	KD 4 - KD 6 - KD 6T	KD 7
Label Klecard	808 500 KCIP-Y 7x44	808 500 KCIP-Y 7x44 808 506 KCIP-Y 9x35	808 500 KCIP-Y 7x44 808 506 KCIP-Y 9x35	808 500 KCIP-Y 7x44
Office Printer Label	508 530 SI FX 0615Y	508 530 SI FX 0615Y	508 530 SI FX 0615Y	508 520 SIT FP 4407Y

ME type modular group markers provide flexible solutions for the marking of terminal blocks. Four different group markers are designed which can be mounted on KD4, KD6, KD6A, KD6T and KD7 type end-brackets. ME3 type group marker can only be used with KD7 end bracket.

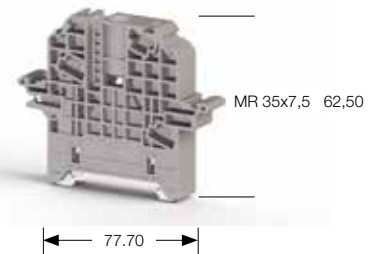
Group Markers



Order No	Product	Description	Marker Order No	Color	Qty.
496 110	GE	Group Marker MR 32/MR 35	808 506 KCIP-Y (9x35 mm)	Beige	50
496 119	GE	Group Marker MR 32/MR 35	808 506 KCIP-Y (9x35 mm)	Grey	50
496 310	GE 4	Group Marker MR 32/MR 35 (Transparent)	508 520 SIT FP 4407 (7x44 mm)	Transparent	50

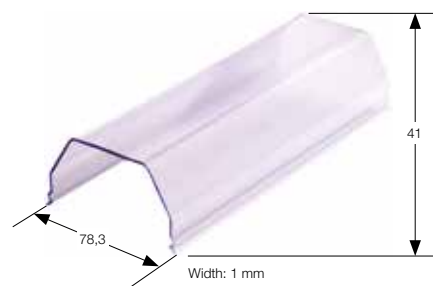
KD 6A

Order No	495 109 - Grey 495 100 - Beige
	Screw-type end bracket mounted on MR 35 type of DIN-rail. Can be used together with feed-through terminals for big cross-sections.
Qty.	50



Cover for KD 6A

Type	Color	Order No	Qty.
Cover for KD 6A	Transparent Cover	498 190	1



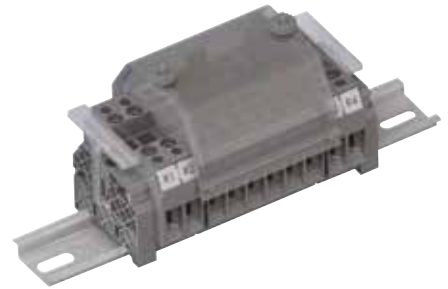
Sealing Pin for KD 6A

Type	Color	Order No	Qty.
KD 6A	Orange Sealing Pin	498 187	100



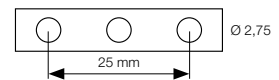
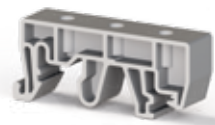
Holding Plate for Cover

Type	Color	Order No	Qty.
SKK - MR 35	Grey	468 069	10
SKK - MR 35	Beige	468 060	10



Rail Adaptor RA 10

Type	Color	Order No	Qty.
RA 10	Grey	498 459	50
RA 10	Beige	498 450	50



DIN Rail Sockets



KPAP-T

KPAP-U



	DIN Rail Socket	DIN Rail Socket
Order No	670 600	670 700
Qty.	4	4
Width / Height / Depth (mm)	75,00 / 70,50 / 45,00	75,00 / 70,50 / 45,00
Voltage / Current / Cross-Section	250 V / 16 A / 6 mm ²	250 V / 16 A / 6 mm ²
Single ve Fine Strand, (mm ²)	0.5 - 10	0.5 - 10
Conductors with ferrules (mm ²)	0.5 - 10	0.5 - 10

MARKING SOLUTIONS

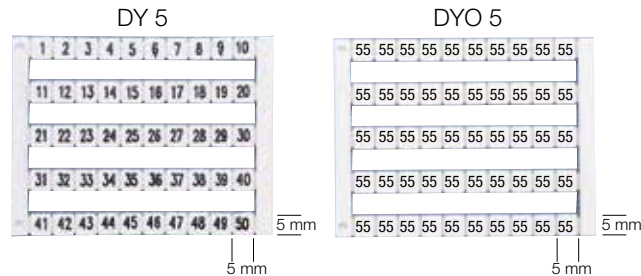
Printers • Software • Terminal Block Tags • Wire Marking



Printed Marking Tags

STANDARD PRINTED TERMINAL LABELS

Order No	Type	Printing area (mm)	Color	Qty.
505 0...	DY 5	5x5	White	500
505 2...	DY 10/6,5	10x6,5	White	510





Order No	Type	Description
505 000	DY 5	0
505 001	DY 5	1
505 002	DY 5	2
505 003	DY 5	3
505 004	DY 5	4
505 005	DY 5	5
505 006	DY 5	6
505 007	DY 5	7
505 008	DY 5	8
505 009	DY 5	9
505 010	DY 5	10
505 020	DY 5	1-10
505 021	DY 5	11-20
505 022	DY 5	21-30
505 023	DY 5	31-40
505 024	DY 5	41-50
505 025	DY 5	51-60
505 026	DY 5	61-70
505 027	DY 5	71-80
505 028	DY 5	81-90
505 029	DY 5	91-100
505 030	DY 5	10, 20,30,.....100
505 040	DY 5	1-50
505 041	DY 5	51-100
505 042	DY 5	101-150
505 043	DY 5	151-200
505 044	DY 5	201-250
505 045	DY 5	251-300
505 046	DY 5	301-350
505 047	DY 5	351-400
505 048	DY 5	401-450
505 049	DY 5	451-500
505 050	DY 5	501-550
505 051	DY 5	551-600
505 052	DY 5	601-650
505 053	DY 5	651-700
505 054	DY 5	701-750
505 055	DY 5	751-800
505 056	DY 5	801-850
505 057	DY 5	851-900
505 058	DY 5	901-950
505 059	DY 5	951-999




Order No	Type	Description
505 060	DY 5	A
505 061	DY 5	B
505 062	DY 5	C
505 063	DY 5	D
505 064	DY 5	E
505 065	DY 5	F
505 066	DY 5	G
505 067	DY 5	H
505 068	DY 5	I
505 069	DY 5	J
505 070	DY 5	K
505 071	DY 5	L
505 072	DY 5	M
505 073	DY 5	N
505 074	DY 5	O
505 075	DY 5	P
505 076	DY 5	Q
505 077	DY 5	R
505 078	DY 5	S
505 079	DY 5	T
505 080	DY 5	U
505 081	DY 5	V
505 082	DY 5	W
505 083	DY 5	X
505 084	DY 5	Y
505 085	DY 5	Z
505 090	DY 5	L1
505 091	DY 5	L2
505 092	DY 5	L3
505 093	DY 5	RSTN $\frac{1}{2}$
505 094	DY 5	Mp
505 095	DY 5	+
505 096	DY 5	-
505 097	DY 5	$\frac{1}{2}$
505 098	DY5	PE

Order No	Type	Description
505 201	DY 10/6,5	1-10
505 202	DY 10/6,5	11-20
505 203	DY 10/6,5	21-30
505 204	DY 10/6,5	31-40
505 205	DY 10/6,5	41-50
505 206	DY 10/6,5	51-60
505 207	DY 10/6,5	61-70
505 208	DY 10/6,5	71-80
505 209	DY 10/6,5	81-90
505 210	DY 10/6,5	91-100

* For your special printed label requests please contact with our sales representative.

Klemsan Wire Marking Tags

Closed Type					
					
Numbers	KG 1	KG 2	Qty.	Color	
0	515 000	516 000	1000/500	Yellow	
1	515 001	516 001	1000/500	Yellow	
2	515 002	516 002	1000/500	Yellow	
3	515 003	516 003	1000/500	Yellow	
4	515 004	516 004	1000/500	Yellow	
5	515 005	516 005	1000/500	Yellow	
6	515 006	516 006	1000/500	Yellow	
7	515 007	516 007	1000/500	Yellow	
8	515 008	516 008	1000/500	Yellow	
9	515 009	516 009	1000/500	Yellow	
Letters	A	515 010	516 010	1000/500	Yellow
B	515 011	516 011	1000/500	Yellow	
C	515 012	516 012	1000/500	Yellow	
D	515 013	516 013	1000/500	Yellow	
E	515 014	516 014	1000/500	Yellow	
F	515 015	516 015	1000/500	Yellow	
G	515 016	516 016	1000/500	Yellow	
H	515 017	516 017	1000/500	Yellow	
I	515 018	516 018	1000/500	Yellow	
J	515 019	516 019	1000/500	Yellow	
K	515 020	516 020	1000/500	Yellow	
L	515 021	516 021	1000/500	Yellow	
M	515 022	516 022	1000/500	Yellow	
N	515 023	516 023	1000/500	Yellow	
O	515 024	516 024	1000/500	Yellow	
P	515 025	516 025	1000/500	Yellow	
Q	515 026	516 026	1000/500	Yellow	
R	515 027	516 027	1000/500	Yellow	
S	515 028	516 028	1000/500	Yellow	
T	515 029	516 029	1000/500	Yellow	
U	515 030	516 030	1000/500	Yellow	
V	515 031	516 031	1000/500	Yellow	
W	515 032	516 032	1000/500	Yellow	
X	515 033	516 033	1000/500	Yellow	
Y	515 034	516 034	1000/500	Yellow	
Z	515 035	516 035	1000/500	Yellow	
Signs	Mp	515 040	516 040	1000/500	Blue
S	515 041	516 041	1000/500	Green	
T	515 042	516 042	1000/500	Red	
+	515 043	516 043	1000/500	Red	
-	515 044	516 044	1000/500	Blue	
⊕	515 045	516 045	1000/500	Yellow	
(515 046	516 046	1000/500	Yellow	
.	515 047	516 047	1000/500	Yellow	
/	515 048	516 048	1000/500	Yellow	

Open Type						
						
Numbers	KE 1	KE 2	KE 3	Qty.	Color	
0	517 000	518 000	519 000	500	Black	
1	517 001	518 001	519 001	500	Brown	
2	517 002	518 002	519 002	500	Red	
3	517 003	518 003	519 003	500	Orange	
4	517 004	518 004	519 004	500	Yellow	
5	517 005	518 005	519 005	500	Green	
6	517 006	518 006	519 006	500	Blue	
7	517 007	518 007	519 007	500	Purple	
8	517 008	518 008	519 008	500	Grey	
9	517 009	518 009	519 009	500	White	
Letters	A	517 010	518 010	519 010	200	Yellow
B	517 011	518 011	519 011	200	Yellow	
C	517 012	518 012	519 012	200	Yellow	
D	517 013	518 013	519 013	200	Yellow	
E	517 014	518 014	519 014	200	Yellow	
F	517 015	518 015	519 015	200	Yellow	
G	517 016	518 016	519 016	200	Yellow	
H	517 017	518 017	519 017	200	Yellow	
I	517 018	518 018	519 018	200	Yellow	
J	517 019	518 019	519 019	200	Yellow	
K	517 020	518 020	519 020	200	Yellow	
L	517 021	518 021	519 021	200	Yellow	
M	517 022	518 022	519 022	200	Yellow	
N	517 023	518 023	519 023	200	Yellow	
O	517 024	518 024	519 024	200	Yellow	
P	517 025	518 025	519 025	200	Yellow	
Q	517 026	518 026	519 026	200	Yellow	
R	517 027	518 027	519 027	200	Yellow	
S	517 028	518 028	519 028	200	Yellow	
T	517 029	518 029	519 029	200	Yellow	
U	517 030	518 030	519 030	200	Yellow	
V	517 031	518 031	519 031	200	Yellow	
W	517 032	518 032	519 032	200	Yellow	
X	517 033	518 033	519 033	200	Yellow	
Y	517 034	518 034	519 034	200	Yellow	
Z	517 035	518 035	519 035	200	Yellow	
Signs	Mp	517 040	518 040	519 040	200	Yellow
+	517 043	518 043	519 043	200	Yellow	
-	517 044	518 044	519 044	200	Yellow	
⊕	517 045	518 045	519 045	200	Yellow	
(517 046	518 046	519 046	200	Yellow	
.	517 047	518 047	519 047	200	Yellow	
/	517 048	518 048	519 048	200	Yellow	

Technical Specifications	KG 1	KG 2	KE 1	KE 2	KE 3
External insulation, mm ²	2,4 - 4,4	4 - 8,5	-	-	-
Cross section, mm ²	0,75 - 4	4 - 16	0,75 - 1,5	1,5 - 2,5	4 - 6

Self-Adhesive Button Tag Holders



Order No	Product	Dimensions (mm)	Color	Qty.
509 700	Y-PBR S	30 x 17 mm (22.5 mm ²)	Black	100
509 701	Y-PBR T	30 x 17 mm (Telemeccanique)	Black	100

Self-Adhesive Panel Tag Holders



Order No	Product	Dimensions (mm)	Color	Qty.
509 600	Y-PER 1730	17x30	Black	100
509 601	Y-PER 1752	17x52	Black	100
509 602	Y-PER 1770	17x70	Black	100

Protective Cover for Panel/Button Tags



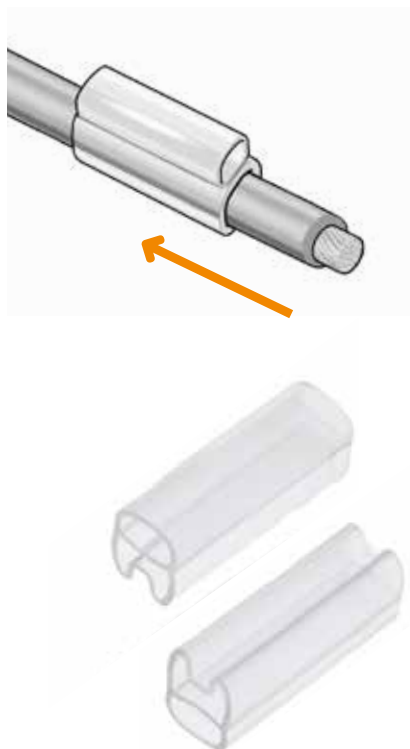
Order No	Product	Dimensions (mm)	Color	Qty.
508 813	PBKP 2715	27x15	Transparent	192
508 814	PBKP 5015	50x15	Transparent	96
508 815	PBKP 6715	67x15	Transparent	96

Marking Tags for Cable Ties



Order No	Product	Max. Label Size (mm)	Dimensions (mm)	Color	Qty.
520 110	KBE 1	8,7 x 29,5 mm	11 x 31,6 mm	Transparent	100
520 120	KBE 2	15,4 x 40 mm	19,5 x 44,5 mm	Transparent	100
508 080	KBE 3	9 x 20 mm	20,3 x 26 mm	Transparent	120

Sleeves for Cable Marking Tags



Order No	Product	Color	Qty.
809 100	KCKKS 10 / 0.5-1.5 mm ²	Transparent	500
809 110	KCKKS 15 / 0.5-1.5 mm ²	Transparent	500
809 120	KCKKS 18 / 0.5-1.5 mm ²	Transparent	500
809 130	KCKKS 23 / 0.5-1.5 mm ²	Transparent	500
809 140	KCKKS 30 / 0.5-1.5 mm ²	Transparent	500
809 150	KCKKS 10 / 1.5-2.5 mm ²	Transparent	500
809 160	KCKKS 15 / 1.5-2.5 mm ²	Transparent	500
809 170	KCKKS 18 / 1.5-2.5 mm ²	Transparent	500
809 180	KCKKS 23 / 1.5-2.5 mm ²	Transparent	500
809 190	KCKKS 30 / 1.5-2.5 mm ²	Transparent	500
809 200	KCKKS 10 / 2.5-4 mm ²	Transparent	500
809 210	KCKKS 15 / 2.5-4 mm ²	Transparent	500
809 220	KCKKS 18 / 2.5-4 mm ²	Transparent	500
809 230	KCKKS 23 / 2.5-4 mm ²	Transparent	500
809 240	KCKKS 30 / 2.5-4 mm ²	Transparent	500
809 250	KCKKS 10 / 6-10 mm ²	Transparent	500
809 260	KCKKS 15 / 6-10 mm ²	Transparent	500
809 270	KCKKS 18 / 6-10 mm ²	Transparent	500
809 280	KCKKS 23 / 6-10 mm ²	Transparent	500
809 290	KCKKS 30 / 6-10 mm ²	Transparent	500
809 300	KCKKS 10 / 16-25 mm ²	Transparent	500
809 310	KCKKS 15 / 16-25 mm ²	Transparent	500
809 320	KCKKS 18 / 16-25 mm ²	Transparent	500
809 330	KCKKS 23 / 16-25 mm ²	Transparent	500
809 340	KCKKS 30 / 16-25 mm ²	Transparent	500

THERMAL PRINTING SOLUTIONS



Software

KleemarkPRO is developed by Klemsan in order to manage all kinds of marking projects through one software.

- Easy setup. Operator needs only basic computer skills.
- Compatible with all Klemsan printers.
- Provides high performance for printing all types of texts, symbols and images.
- Advanced features provide high-quality preview and quick operation.
- Graphic design and Klecard universal drivers can be automatically uploaded during set-up. (Windows® compatibility.)

Marking Systems / Printers

We offer the most suitable solutions for your projects thanks to our thermal marking systems. You can experience the high efficiency and easy application with Klemsan Marking Systems which will definitely suit all your industrial requirements.

KLECARD Thermal Card Printer



Klecard Thermal Printer is the fastest and easiest way for marking a wide variety of labels and tags.

- Terminal Blocks
- Cables
- Panel Surface and Components
- All Kinds of Industrial Products and Devices

Windows® based driver will provide ease of use. Even smallest symbols, drawings, barcodes and QR Codes can be printed.

TE Series – Thermal Roll Printer



High-speed TE Series thermal transfer printer is designed for marking labels and tags within roll format. Light and compact design of the printer ensures the ease of use in the most challenging field conditions. All kinds of panel building components such as cable markers, terminal strip labels and other industrial labels can be marked with TE Series.

Hardware Requirements

CPU	32-bit / 64-bit Intel® or AMD® Processor
RAM	2 GB of RAM (4 GB recommended)
Disc Space (HDD/SDD)	4.0 GB of free disk space for installation
Display	15.6" monitor (17" recommended)
Input Devices	Keyboard, three-button mouse

Software Requirements

Operating System	Microsoft® Windows® Vista, 7, 8/8.1/10 with .NET Framework 4.0
Internet Browser	Microsoft® Internet Explorer®, Google Chrome™, Mozilla® Firefox®

Software Features

Reconfiguration Oriented Project

The marking project is a relational database which can be continuously reconfigured, by sorting and grouping different materials on different machines. You can modify, complete your project or adapt it to different system configurations in an efficient way with minimum effort.

Intuitive User Interface Compatible with MS-Windows Philosophy **WYSIWYG (What You See is What You Get)**

The user can manage records in a combined Tree-Grid view with sorting, filtering and grouping functions.

- Visual editing in preview screen and synchronization with the Tree-Grid view.
- Undo/Redo functions for project operations on records/project.
- Clipart collection of symbols by dragging and dropping into the project (in Graphic Mode).
- Simple Text and RTF (rich-text-format) editing capability on labels.
- Graphic Editor for labels with support for RTF, Barcode, QR-Code, circular text, vector and raster images.



Material Management

The material hierarchical (Tree-Grid) view allows direct selection into preview screen for visual editing.

Material and Custom Label Designer

Easy and functional geometrical label design and text attributes for Klemsan standard materials and customer predefined/layout labels. Smart way of assigning printing settings to each material from parameter database.

Strip / Endless / Ribbon Material Support

The Terminal Strip Editor is a powerful graphic editor with print preview capabilities for ribbon/strip materials.

Printer Settings

Printers management utility for assigning printers to materials category, also for defining the materials organization on each printer pad.

Print Settings

Capability for selection, copy factors, machine settings control during the printing process.

Page Printing Management

The pages to be printed can be viewed hierarchically (Tree-Grid) which allows label grouping or individual label selection.

International Language Support

The application fully supports UNICODE languages for the user interface and for the text to be marked.

KLECARD Thermal Card Printing

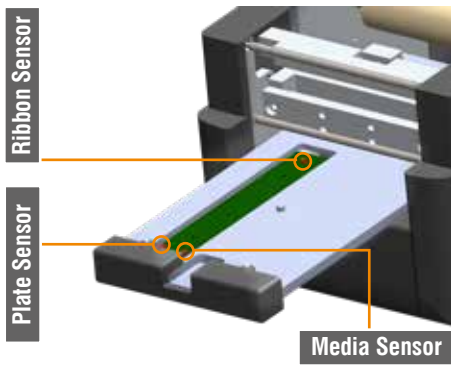


Order No	Product
806 000	Klecard Thermal Card Printer

The marking process has never been so effortless. Printing dozens of labels and tags just in seconds will give you an opportunity to complete your projects faster than what you plan. Klecard is the new amazing marking solution based on the thermal transfer print technology, which is alcohol-proof, smudge-proof and waterproof with no drying time. Klecard is so fast that you can print any kind of label card in less than 10 seconds with a huge thermal resistance level according to international standards. It is ideal for high volume applications with low-cost printing per card with a resolution of 300 x 600 dpi.

Terminal blocks, cables, panel components, buttons and many more products can be marked with our Klecard Printer thanks to our marking software Klemark-Pro.

Features



- Ribbon saving algorithm; ensures the optimal ribbon usage, lowering printing cost and maximizing efficiency.
- Built-in printhead integrity check; which automatically tests any printhead single element and ensures high-quality texts, symbols, barcodes and images.
- Perfect printing mode; which allows you to print different media types with the best settings of the printer (speed rate, printing intensity and ribbon control).
- Automatic temperature sensing; which controls the status of the printhead to adjust it at the best conditions depending on the operating environment climate.
- Sensing control; Klecard has three sensors to manage ribbon, plates and media. The machine will start printing only when the plate, the ribbon and media are placed on the machine.

Warning: The printhead working temperature condition is between 15-35 °C range.

Package Contents



- 1 KleCard Printer
- 1 Power Supply
- 1 Power Cable
- 1 USB Cable
- 1 Plate for Flat Media
- 1 Plate for Terminal Blocks Markers

Klecard Accessories



Ribbons

Order No	Product	Size (mm)	Color	Qty.
806 100	KL-RB Ribbon	110x300	Black ●	1
806 101	KL-RB Ribbon	110x300	Red ●	1
806 102	KL-RB Ribbon	110x300	Blue ●	1
806 103	KL-RB Ribbon	110x300	White ○	1

Order No.	Product	Qty.
806 099	Izoproply Material for Thermal Head	10

Note: To ensure the best printing quality and efficiency on Klemsan Thermal Marking Systems, only Klemsan original consumable products must be used. Otherwise, the subject products will not be covered by warranty conditions.

Plates



Plate KL-PLT A Terminal Block Markers

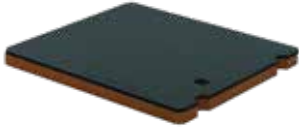


Plate KL-PLT B for Flat Media

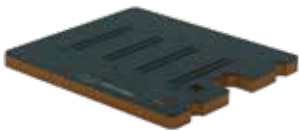
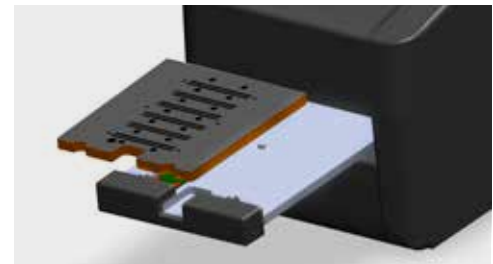
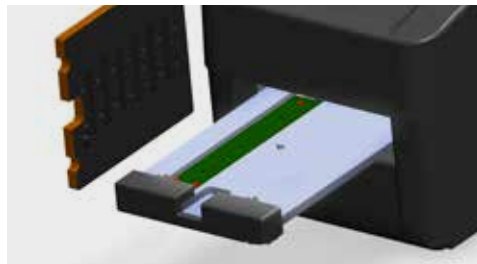
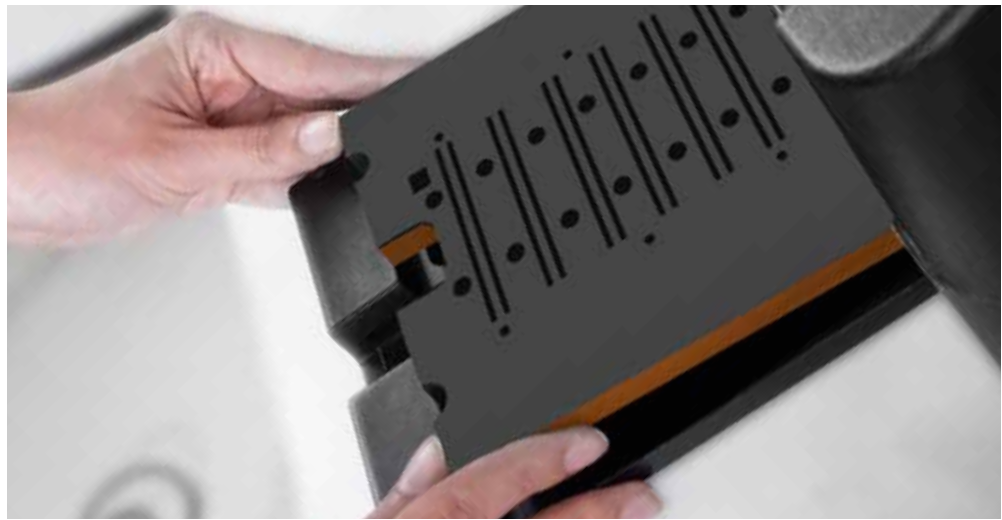


Plate KL-PLT C for Clip-it Cable Markers



Plate KL-PLT D For TRV Series Terminal Block Markers

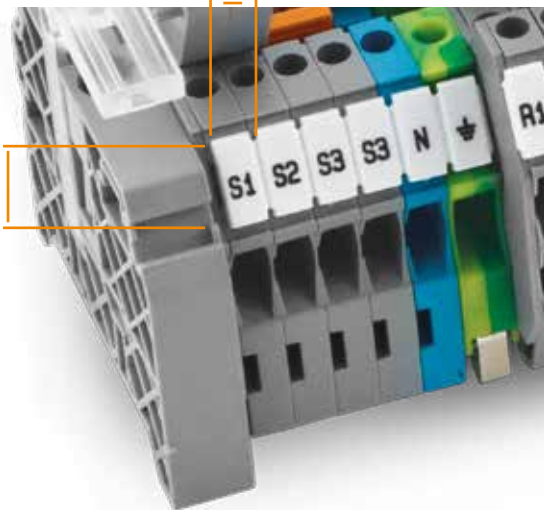
Order No	Product
806 010	KL-PLT A for Terminal Block Markers
806 020	KL-PLT B for Flat Media
806 030	KL-PLT C for Clip-it Cable Markers
806 060	KL-PLT D Plate For TRV Series Terminal Block Markers
806 040	PC-PLT A for Different Brand Terminal Block Markers



Marking for Terminal Blocks

5 mm width

10 mm length



Halogen Free VO raw material

Order No	Product	Print Area (mm)	Color	Labels per Card	Labels per Pack
811 750	D-NS 5x10	4,2x9,8	White	72	720
812 250	D-NS 6x10	5,2x9,8	White	60	600
812 750	D-NS 8x10	7,2x9,8	White	48	480
813 100	D-NS 10x10	9,2x9,8	White	36	360
813 450	D-NS 12x10	11,2x9,8	White	30	300
810 300	D-NS 5x6	4,4x6,0	White	72	720
810 450	D-NS 5,2x6	4,4x6,0	White	72	720
810 150	D-NS 4,2x6	3,6x6,0	White	84	840
810 600	D-NS 6,2x6	5,4x6,0	White	60	600
810 750	D-NS 8x6	6,4x6,0	White	48	480
811 000	D-NS 10x6	8,4x6,0	White	36	360
811 250	D-NS 12x6	10,4x6,0	White	30	300
811 800	D-NS 14x10	12,4x10,0	White	24	240
814 150	D-NS 20x9	18,4x10,0	White	18	180
814 270	D-NS 7x5	7x4,2	White	72	720

* D-NS 7x5 and D-NS 20x9 label is compatible with 806 060 KL-PLT D plate.

* D-NS 7x5 label is compatible with TRV Series Terminal Block.

* See page 308 - 314 for terminal blocks selection guide.

816 000	D-PC 5x10	4,2x9,8	White	72	576
816 500	D-PC 6x10	5,2x9,8	White	60	480
817 000	D-PC 8x10	7,2x9,8	White	48	384

* D-PC labels are compatible with 806 040 PC-PLT A plate.

* Please contact with your sales representative for brand suitability information.

MARKING STRIP

Order No	Product	Print Area (mm)	Color	Labels per Card	Labels per Pack
808 458	KCSLF-W	11,2x100	White	12	240

* See page 308 - 314 for terminal blocks selection guide.

Marking For Cables

Clip-it Cable Markers - KE-NS Series

KE1-NS 4x18



Order No	Product	Print Area (mm)	Max.Cable Diameter (mm)	Color	Labels per Card	Labels per Pack
814 300	KE1-NS 4x12 W (0,5-1,5mm ²)	4x12	2,00-2,90	White	40	1120
814 500	KE2-NS 4x12 W (1,5-2,5mm ²)	4x12	2,90-3,50	White	36	864
814 700	KE3-NS 4x12 W (4,0-6,0mm ²)	4x12	4,00-4,60	White	32	640
814 900	KE1-NS 4x18 W (0,5-1,5mm ²)	4x18	2,00-2,90	White	40	1120
815 100	KE2-NS 4x18 W (1,5-2,5mm ²)	4x18	2,90-3,50	White	36	864
815 300	KE3-NS 4x18 W (4,0-6,0mm ²)	4x18	4,00-4,60	White	36	640
815 500	KE1-NS 4x22 W (0,5-1,5mm ²)	4x22	2,00-2,90	White	40	1120
815 700	KE2-NS 4x18 W (1,5-2,5mm ²)	4x22	2,90-3,50	White	36	864
815 900	KE3-NS 4x18 W (4,0-6,0mm ²)	4x22	4,00-4,60	White	32	640
814 303	KE1-NS 4x12 Y (0,5-1,5mm ²)	4x12	2,00-2,90	Yellow	40	1120
814 503	KE2-NS 4x12 Y (1,5-2,5mm ²)	4x12	2,90-3,50	Yellow	36	864
814 703	KE3-NS 4x12 Y (4,0-6,0mm ²)	4x12	4,00-4,60	Yellow	32	640
814 903	KE1-NS 4x18 Y (0,5-1,5mm ²)	4x18	2,00-2,90	Yellow	40	1120
815 103	KE2-NS 4x18 Y (1,5-2,5mm ²)	4x18	2,90-3,50	Yellow	36	864
815 303	KE3-NS 4x18 Y (4,0-6,0mm ²)	4x18	4,00-4,60	Yellow	36	640
815 503	KE1-NS 4x22 Y (0,5-1,5mm ²)	4x22	2,00-2,90	Yellow	40	1120
815 703	KE2-NS 4x22 Y (1,5-2,5mm ²)	4x22	2,90-3,50	Yellow	36	864
815 903	KE3-NS 4x22 Y (4,0-6,0mm ²)	4x22	4,00-4,60	Yellow	32	640

Halogen Free **VO** raw material

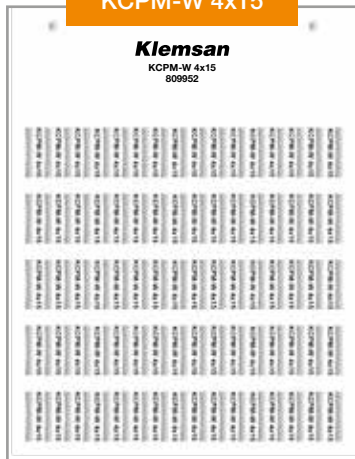


Marking For Cables

Cable Markers for KCKKS Transparent Tubes - KCPM Series



KCPM-W 4x15



Order No	Product	Print Area (mm)	Color	Labels per Card	Labels per Pack
808 951	KCPM-W 4x10	4x10	White	112	2240
808 952	KCPM-W 4x15	4x15	White	80	1600
808 953	KCPM-W 4x23	4x23	White	64	1280
808 954	KCPM-W 4x30	4x30	White	48	960
809 001	KCPM-Y 4x10	4x10	Yellow	112	2240
809 002	KCPM-Y 4x15	4x15	Yellow	80	1600
809 003	KCPM-Y 4x23	4x23	Yellow	64	1280
809 004	KCPM-Y 4x30	4x30	Yellow	48	960

KCPM-Y 4x15

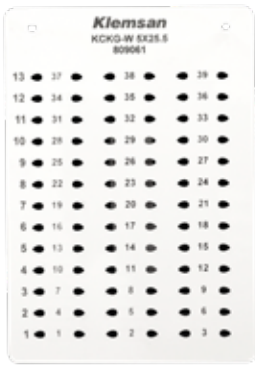


TAG HOLDERS SELECTION GUIDE

	KCPM 4x10	KCPM 4x15	KCPM 4x23	KCPM 4x30
KCKKS 10	✓			
KCKKS 15		✓		
KCKKS 23			✓	
KCKKS 30				✓

Marking For Cables

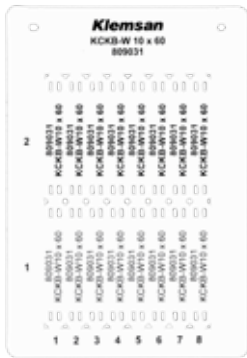
Snap On Cable - KCKG Series



KCKG-W 5x25.5

Order No	Product	Suitable Cable Diameter (mm ²)	Print Area	Color	Qty.
809 061	KCKG-W 5x25.5	(0.75-1.5)	5x13mm	White	780
809 062	KCKG-W 7x26	(2.5-6)	7x12mm	White	660
809 063	KCKG-W 10x47.5	(6-16)	10x20mm	White	360
809 071	KCKG-Y 5x25.5	(0.75-1.5)	5x13mm	Yellow	780
809 072	KCKG-Y 7x26	(2.5-6)	7x12mm	Yellow	660
809 073	KCKG-Y 10x47.5	(6-16)	10x20mm	Yellow	360

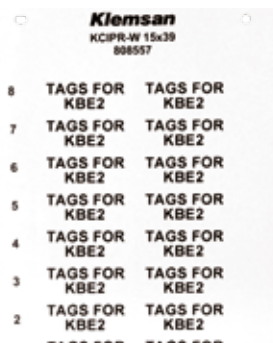
Label for Cable Tie - KCKB Series



KCKB-W 10x60

Order No	Product	Print Area	Cable Ø	Cable Tie Hole Diameter	Color	Qty.
809 030	KCKB-W 20x25	11x25mm	45567	5x2mm	White	400
809 031	KCKB-W 10x60	10x44mm	45567	5x2mm	White	320
809 040	KCKB-Y 20x25	11x25mm	45567	5x2mm	Yellow	400
809 041	KCKB-Y 10x60	10x44mm	45567	5x2mm	Yellow	320

Non Adhesive Rigid Flat PVC Markers - KCIPR Series



KCIPR-W 15x39

Order No	Product	Print Area (mm)	Color	Labels per Card	Labels per Pack
808 556	KCIPR-W 8x29	8x29mm	45	900	White
808 557	KCIPR-W 15x39	15x39mm	16	320	White
808 557	KCIPR-W 9x20	9x20mm	75	1500	White
808 606	KCIPR-Y 8x29	8x29mm	45	900	Yellow
808 607	KCIPR-Y 15x39	15x39mm	16	320	Yellow
808 608	KCIPR-Y 9x20	9x20mm	75	1500	Yellow
808 656	KCIPR-S 8x29	8x29mm	45	900	Silver
808 657	KCIPR-S 15x39	15x39mm	16	320	Silver
808 658	KCIPR-S 9x20	9x20mm	75	1500	Silver



KBE 1



KBE 2



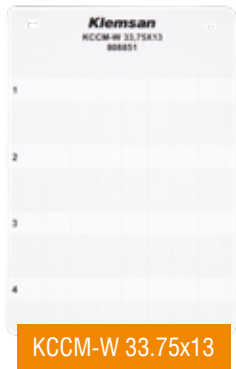
KBE 3

Selection Guide

Order No	Product	KCIPR 8x29	KCIPR 15x39	KCIPR 9x20
520 110	KBE 1	✓		
520 120	KBE 2		✓	
508 080	KBE 3			✓

Marking For Cables

Adhesive Wrap Around Type Cable Markers - KCCM Series

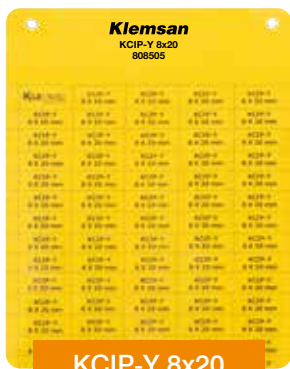


Order No	Product	Print Area (mm)	Color	Labels per Card	Labels per Pack
808 851	KCCM-W 33.75x13	12x13mm	White	32	640
808 852	KCCM-W 67.5x25	19x25mm	White	8	160
808 853	KCCM-W 135x25	19x25mm	White	4	80
808 854	KCCM-R 33.75x13	12x13mm	Red	32	640
808 855	KCCM-R 67.5x25	19x25mm	Red	8	160
808 856	KCCM-R 135x25	19x25mm	Red	4	80
808 857	KCCM-B 33.75x13	12x13mm	Blue	32	640
808 858	KCCM-B 67.5x25	19x25mm	Blue	8	160
808 859	KCCM-B 135x25	19x25mm	Blue	4	80
808 860	KCCM-BR 33.75x13	12x13mm	Brown	32	640
808 861	KCCM-BR 67.5x25	19x25mm	Brown	8	160
808 862	KCCM-BR 135x25	19x25mm	Brown	4	80
808 863	KCCM-GR 33.75x13	12x13mm	Grey	32	640
808 864	KCCM-GR 67.5x25	19x25mm	Grey	8	160
808 865	KCCM-GR 135x25	19x25mm	Grey	4	80
808 901	KCCM-Y 33.75x13	12x13mm	Yellow	32	640
808 902	KCCM-Y 67.5x25	19x25mm	Yellow	8	160
808 903	KCCM-Y 135x25	19x25mm	Yellow	4	80
808 904	KCCM-G 33.75x13	12x13mm	Green	32	640
808 905	KCCM-G 67.5x25	19x25mm	Green	8	160
808 906	KCCM-G 135x25	19x25mm	Green	4	80
808 907	KCCM-P 33.75x13	12x13mm	Purple	32	640
808 908	KCCM-P 67.5x25	19x25mm	Purple	8	160
808 909	KCCM-P 135x25	19x25mm	Purple	4	80
808 910	KCCM-O 33.75x13	12x13mm	Orange	32	640
808 911	KCCM-O 67.5x25	19x25mm	Orange	8	160
808 912	KCCM-O 135x25	19x25mm	Orange	4	80
808 913	KCCM-BL 33.75x13	12x13mm	Black	32	640
808 914	KCCM-BL 67.5x25	19x25mm	Black	8	160
808 915	KCCM-BL 135x25	19x25mm	Black	4	80

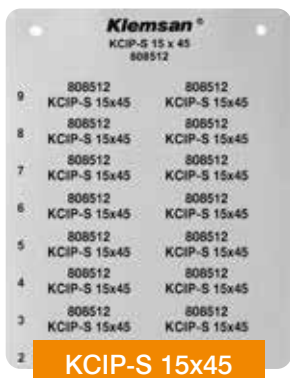


Marking for Panel Surface and Components

Self Adhesive Vinly Markers - KCIP Series



KCIP-Y 8x20



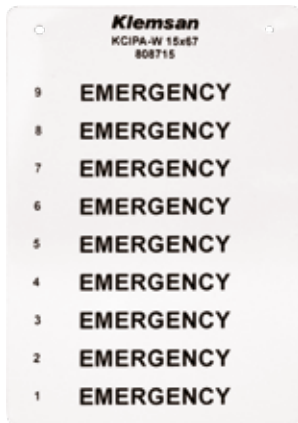
KCIP-S 15x45



Order No	Product	Print Area (mm)	Color	Labels per Card	Labels per Pack
808 499	KCIP-Y 8x17,5	8x17,5	Yellow	96	1920
808 500	KCIP-Y 7x44	7x44	Yellow	38	760
808 501	KCIP-Y 10x17	10x17	Yellow	78	1560
808 502	KCIP-Y 9x12	9x12	Yellow	120	2400
808 503	KCIP-Y 6x15	6x15	Yellow	154	3080
808 504	KCIP-Y 9x15	9x15	Yellow	90	1800
808 505	KCIP-Y 8x20	8x20	Yellow	80	1600
808 506	KCIP-Y 9x35	9x35	Yellow	45	900
808 507	KCIP-Y 9x50	9x50	Yellow	30	600
808 508	KCIP-S 12,5x27	12,5x27mm	Silver	600	30
808 509	KCIP-S 15x27	15x27mm	Silver	540	27
808 510	KCIP-S 18x27	18x27mm	Silver	420	21
808 511	KCIP-S 18x35	18x35mm	Silver	420	21
808 512	KCIP-S 15x45	15x45mm	Silver	360	18
808 513	KCIP-S 30x70	30x70mm	Silver	80	4
808 514	KCIP-S 40x90	40x90mm	Silver	60	3

Marking for Panel Surface and Components

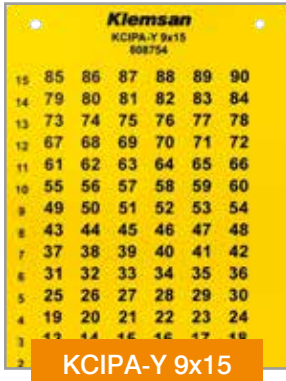
Adhesive Flat PVC Markers - KCIPA-W Series



Order No	Product	Print Area (mm)	Color	Labels per Card	Labels per Pack
808 701	KCIPA-W 10x17	10x17	White	78	1560
808 702	KCIPA-W 9x12	9x12	White	120	2400
808 703	KCIPA-W 6x15	6x15	White	154	3080
808 704	KCIPA-W 9x15	9x15	White	90	1800
808 705	KCIPA-W 8x20	8x20	White	80	1600
808 706	KCIPA-W 9x35	9x35	White	45	900
808 707	KCIPA-W 9x50	9x50	White	30	600
808 708	KCIPA-W 8x27	8x27	White	48	960
808 709	KCIPA-W 12.5x27	12,5x27	White	30	600
808 710	KCIPA-W 15x27	15x27	White	27	540
808 711	KCIPA-W 18x27	18x27	White	21	420
808 712	KCIPA-W 27x27	27x27	White	15	300
808 713	KCIPA-W 18x35	18x35	White	21	420
808 714	KCIPA-W 15x50	15x50	White	18	360
808 715	KCIPA-W 15x67	15x67	White	9	180
808 716	KCIPA-W 50x100	50x100	White	2	40
808 717	KCIPA-W 105x130	105x130	White	1	20
808 718	KCIPA-W 75x100	75x100	White	1	20
808 719	KCIPA-W 30x60	30x60	White	4	80
808 720	KCIPA-W 40x80	40x80	White	3	60

Marking for Panel Surface and Components

Adhesive Flat PVC Markers - KCIPA-Y Series



KCIPA-Y 9x15



KCIPA-Y 50x100

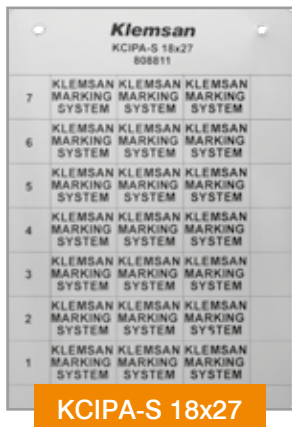
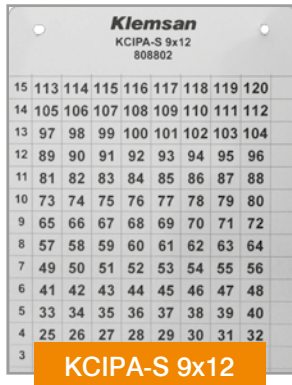


KCIPA-Y 105x130

Order No	Product	Print Area (mm)	Color	Labels per Card	Labels per Pack
808 751	KCIPA-Y 10x17	10x17	Yellow	78	1560
808 752	KCIPA-Y 9x12	9x12	Yellow	120	2400
808 753	KCIPA-Y 6x15	6x15	Yellow	154	3080
808 754	KCIPA-Y 9x15	9x15	Yellow	90	1800
808 755	KCIPA-Y 8x20	8x20	Yellow	80	1600
808 756	KCIPA-Y 9x35	9x35	Yellow	45	900
808 757	KCIPA-Y 9x50	9x50	Yellow	30	600
808 758	KCIPA-Y 8x27	8x27	Yellow	48	960
808 759	KCIPA-Y 12.5x27	12,5x27	Yellow	30	600
808 760	KCIPA-Y 15x27	15x27,5	Yellow	27	540
808 761	KCIPA-Y 18x27	18x27	Yellow	21	420
808 762	KCIPA-Y 27x27	27x27	Yellow	15	300
808 763	KCIPA-Y 18x35	18x35	Yellow	21	420
808 764	KCIPA-Y 15x50	15x50	Yellow	18	360
808 765	KCIPA-Y 15x67	15x67	Yellow	9	180
808 766	KCIPA-Y 50x100	50x100	Yellow	2	40
808 767	KCIPA-Y 105x130	105x130	Yellow	1	20
808 768	KCIPA-Y 75x100	75x100	Yellow	1	20
808 769	KCIPA-Y 30x60	30x60	Yellow	4	80
808 770	KCIPA-Y 40x80	40x80	Yellow	3	60

Marking for Panel Surface and Components

Adhesive Flat PVC Markers - KCIPA-S Series

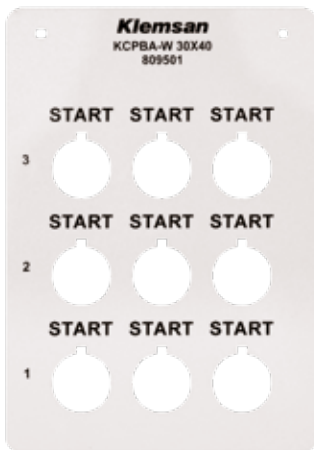


Order No	Product	Print Area (mm)	Color	Labels per Card	Labels per Pack
808 801	KCIPA-S 10x17	10x17	Silver	78	1560
808 802	KCIPA-S 9x12	9x12	Silver	120	2400
808 803	KCIPA-S 6x15	6x15	Silver	154	3080
808 804	KCIPA-S 9x15	9x15	Silver	90	1800
808 805	KCIPA-S 8x20	8x20	Silver	80	1600
808 806	KCIPA-S 9x35	9x35	Silver	45	900
808 807	KCIPA-S 9x50	9x50	Silver	30	600
808 808	KCIPA-S 8x27	8x27	Silver	48	960
808 809	KCIPA-S 12.5x27	12,5x27	Silver	30	600
808 810	KCIPA-S 15x27	15x27,5	Silver	27	540
808 811	KCIPA-S 18x27	18x27	Silver	21	420
808 812	KCIPA-S 27x27	27x27	Silver	15	300
808 813	KCIPA-S 18x35	18x35	Silver	21	420
808 814	KCIPA-S 15x50	15x50	Silver	18	360
808 815	KCIPA-S 15x67	15x67	Silver	9	180
808 816	KCIPA-S 50x100	50x100	Silver	2	40
808 817	KCIPA-S 105x130	105x130	Silver	1	20
808 818	KCIPA-S 75x100	75x100	Silver	1	20
808 819	KCIPA-S 30x60	30x60	Silver	4	80
808 820	KCIPA-S 40x80	40x80	Silver	3	60



Marking for Panel Surface and Components

Marking For Buttons

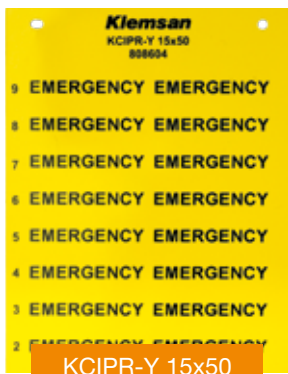


Order No	Product	Size	Print Area	Color	Qty.
809 501	KCPBA-W	30x40	30x12mm	White	180
809 502	KCPBA-W	30x50	30x20mm	White	120
809 511	KCPBA-Y	30x40	30x12mm	Yellow	180
809 512	KCPBA-Y	30x50	30x20mm	Yellow	120
809 521	KCPBA-S	30x40	30x12mm	Silver	180
809 522	KCPBA-S	30x50	30x20mm	Silver	120

Non Adhesive Rigid Flat PVC Markers - KCIPR series



KCIPR-W 15x67



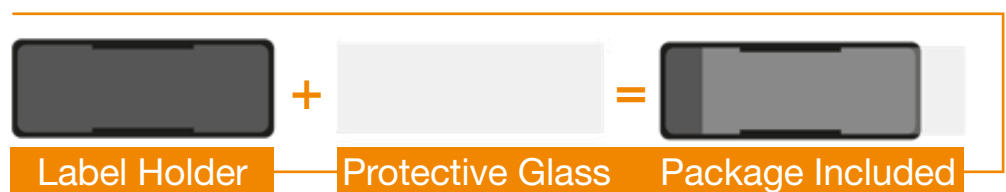
KCIPR-Y 15x50

Order No	Product	Print Area (mm)	Color	Labels per Card	Labels per Pack
808 551	KCIPR-W 15x27	15x27mm	White	27	540
808 552	KCIPR-W 18x27	18x27mm	White	21	420
808 554	KCIPR-W 15x50	15x50mm	White	18	360
808 555	KCIPR-W 15x67	15x67mm	White	8	180
808 601	KCIPR-Y 15x27	15x27mm	Yellow	27	540
808 602	KCIPR-Y 18x27	18x27mm	Yellow	21	420
808 604	KCIPR-Y 15x50	15x50mm	Yellow	18	360
808 605	KCIPR-Y 15x67	15x67mm	Yellow	9	180
808 651	KCIPR-S 15x27	15x27mm	Silver	27	540
808 652	KCIPR-S 18x27	18x27mm	Silver	21	420
808 654	KCIPR-S 15x50	15x50mm	Silver	18	360
808 655	KCIPR-S 15x67	15x67mm	Silver	9	180

Tag Holders Selection Guide



Order No	Product	KCIPR 15x27	KCIPR 15x50	KCIPR 15x67
509 600	Y-PER 1730	✓		
509 601	Y-PER 1752		✓	
509 602	Y-PER 1770			✓
509 700	Y-PBR S	✓		
509 701	Y-PBR T	✓		



Product Name	D-NS 4,2x6	D-NS 5x6	D-NS 5,2x6	D-NS 6,2x6	D-NS 7x5	D-NS 8x6	D-NS 10x6	D-NS 12x6	D-NS 5x10	D-NS 6x10	D-NS 8x10	D-NS 10x10	D-NS 12x10	D-NS 14x10	D-NS 20x9	4,9mm Strip Label	11,2mm Strip Label
PYK 1,5 MCT	•																
PYK 1,5 ME	•																
PYK 1,5 MET	•																
PYK 2,5 C									•							•	•
PYK 2,5 CT									•							•	•
PYK 4 E										•						•	•
YBK 2,5									•								
YBK 4										•							
YBK 6											•						
YBK 10												•					
YBK 2,5 T									•								
YBK 4 T										•							
YBK 6 T											•						
YBK 10 T												•					
MYK 2,5		•															
MYK 2,5 C		•															
MYKR 2,5		•															
MYKR 2,5 C		•															
MYK 2,5 T		•															
MYPK 2,5		•															
MYPK 2,5 C		•															
MYSK 2,5		•															
YBK 2,5-2 F		•															
YBK 2,5-2 FK		•															
YBK 2,5-2 FD-A		•															
YBK 2,5-2 FD-B		•															
YBK 2,5-2 FLD		•															
YBK 4-2 F										•							
YBK 4-2 FK										•							
YBK 4-2 FD-A										•							
YBK 4-2 FD-B										•							
YBK 4-2 FLD										•							
YBK 2,5-3 F		•															
YBK 2,5-2 FT		•															
YBK 2,5-3 FLD (NPN)		•															
YBK 2,5-3 FLD (PNP)		•															
YBK 3 S		•															
YBK 3 SLD (NPN)		•															
YBK 3 SLD (PNP)		•															
YBK S		•															
YBK SB		•															
YBK SLD		•															
YBK 2,5 A									•								
YBK I		•															
YBK IB		•															
YBK ILD		•															
YBK 2,5 E									•								
YBK 2,5 C									•								
YBK 2,5 CX2									•								
YBK 2,5 CD									•								
YBK 2,5 CLD									•								
YBK 2,5 CT									•								
YBK 2,5 ET									•								
PCY 2,5		•															
PCY 2,5 N		•															
PCY 2,5 E		•															
PCY 2,5 L		•															
PCY 2,5 EL		•															
PB 2,5										•							
PB 2,5T										•							
PB 2,5K										•							
PB 6											•						
PB 6K											•						

TE Series - Thermal Roll Printing

Order No	Product	Hardware Connectivity
808 479	TE 300 (300 DPI)	USB
808 480	TE 310 (300 DPI)	USB, Ethernet, Serial RS-232, USB Host

TE Series has the same system as KLeCard – Thermal transfer system. TE Series is designed for roll form tags and labels whereas Klecard is designed for card shape media. TE Series labels are required to be polyester, paper or any kind of soft material which can easily pass through the thermal printhead. TE Series is the fastest and easiest way for high volume roll form labels printing with 300 dpi resolution. Three different sizes of black resin ribbons can be used with this printer.



Terminal blocks, cables, panel components, buttons, heat shrinkable sleeves and many more products can be marked with our TE Series Printer thanks to our marking software Klemark-Pro.

TE Series Hardware Features

Next generation high-performance TE Series desktop thermal printer, brings new standards in thermal printing and offers greater performance, compared to other printers in his field. The 4 inch series can simply print anything, tiny little symbols, numbers, graphics and barcodes for your applications; from cable marking with the smallest dimensions up to information cards for machine identification. Create high-quality, fast and durable labels for your marking needs.

- 1) Print speed up to 204 mm (8 inch) per second
- 2) 128 MB flash and 64 MB SDRAM memory
- 3) User-friendly, double-walled folding design
- 4) Serial cable, internal Ethernet,
- 5) USB 2.0 & USB Host standard
- 6) 300 meter ribbon compatible
- 7) ENERGY STAR® qualified

High Availability
Quick setup
Economic Printing



The printer offers the following optional features.

TE Series	User options	Dealer options	Factory options
Extended plate for external roll mount assembly with 3" core label spindle (8.4 OD)	•		
Internal Bluetooth v4.0			•

For TE 310 Series only	User options	Dealer options	Factory options
KP-200 Plus (with RS-232 interface)	•		
External BT module (with RS-232 interface)	•		
Peeler module		•	
Regular full cut cutter (Guillotine cutter) Media thickness: 0.06–0.19 mm Media type: receipt and label liner w/o glue		•	
Regular full/partial cutter (Guillotine cutter) Media thickness: 0.06–0.19 mm Media type: receipt and label liner w/o glue		•	
Internal Wi-Fi module			•

Features

Product standard features	TE300	TE310
Order No	808 479	808 480
Thermal transfer printing	●	●
Direct thermal printing	●	●
Plastic	●	●
Gap sensor	●	●
Reflective, full-range moveable black mark sensor	●	●
Ribbon sensor	●	●
Head open sensor	●	●
USB 2.0 (Hi-Speed) interface	●	●
16 MB DRAM memory	●	-
64 MB DRAM memory	-	●
8 MB Flash memory	●	-
128 MB Flash memory	-	●
RTC	-	●
BUZZER	-	●
One button for feed and pause	●	●
One LED indicator for 3 colors	●	●
Standard industry emulations right out of the box including Eltron® and Zebra® language support	●	●
Internal 8 alpha-numeric bitmap fonts	●	●
Fonts and bar codes can be printed in any one of the four directions (0, 90,180, 270 degrees)	●	●
Internal Monotype Imaging® true type font engine with one CG Triumvirate Bold Condensed scalable font	●	●
Downloadable fonts from PC to printer memory	●	●
Downloadable firmware upgrades	●	●
General Specifications		
Dimensions	204 mm (W) x 164 mm (H) x 280 mm (L)	
Weight	2.4 kg	2.5 kg
Electrical	External universal switching power supply Input: AC 100-240V, 2A, 50-60 Hz Output: DC 24V, 2.5A, 60W, LPS	
Environmental condition	Operation: 5 ~ 40 °C (41 ~ 104 °F), 25~85% non-condensing Storage: -40 ~ 60 °C (-40 ~ 140 °F), 10~90% non-condensing	
Print Specifications		
Print head resolution	300 dots/inch (12 dots/mm)	
Printing method	Thermal transfer and direct thermal	
Dot size (width x length)	0.084 x 0.084 mm (1 mm = 11.8 dots)	
Print speed (inches per second)	Up to 5 ips Up to	Up to 5 ips
Print speed for peel mode	N/A	Up to 3 ips
Max. print width	105.7 mm (4.16")	105.7 mm (4.16")
Max. print length	1,016 mm (40")	11,430 mm (450")
Media Specifications		
Label roll capacity	Max. 5" OD	
Media type	Continuous, die-cut, black mark, fan-fold, notch	
Media wound type	Outside wound	
Media width	20mm ~ Max. 112 mm	
Media thickness	0.06 mm (2.36 mil) ~ 0.19 mm (7.48 mil)	
Media core diameter	1" (25.4 mm) & 1.5" (38 mm) ID core	
Label length	5 mm ~ Max. printing length	
Label length (peeler mode)	N/A	1" ~ 6" (25.4 ~ 152.4 mm)
Label length (cutter mode)	N/A	1" ~ Max. printing length
Gap height	Min. 2 mm (0.09")	
Black mark height	Min. 2 mm (0.09")	
Black mark width	Min. 8 mm (0.31")	
Ribbon Specifications		
Ribbon outside diameter	1i core: Max. 67mm	
	0.5i core: Max. 40mm	
Ribbon length	1i inner core: 300 meters	
	0.5i inner core: 110 meters	
Ribbon core inside diameter	0.5 and 1 inch	
Ribbon width	30 ~ 110 mm	
Ribbon wound type	Outside wound	

TE Series Printer and Accessories

Ribbons

- 1) Thermal transfer film (ribbon) and labelling material
- 2) Thermal transfer head
- 3) Printed label
- 4) Pressing roller
- 5) Used thermal transfer film (ribbon)



Order No	Product	Size	Color	Core	Qty.
1020 010	Klemark Ribbon	30 mm x 300 m	Black	25, 4 mm /1	1
1020 011	Klemark Ribbon	50 mm x 300 m	Black	25, 4 mm /1	1
1020 012	Klemark Ribbon	110 mm x 300 m	Black	25, 4 mm /1	1
1020 013	Klemark Ribbon	40 mm x 300 m	Black	25, 4 mm /1	1

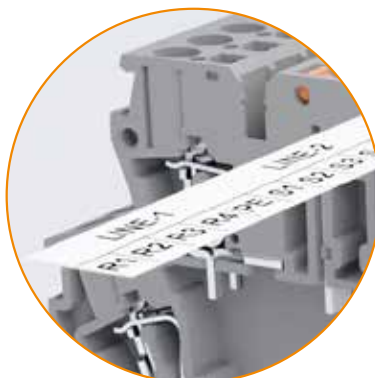
* Ribbon code 1020 013 is compatible with HSL heatshrink tubing.

Marking for Terminal Blocks



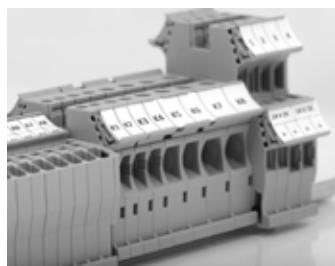
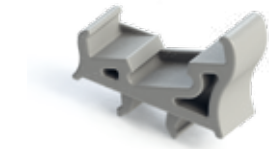
Order No	Product	Size	Color	Qty.
1020 100	SLF - P1 W	11,2 mm x15 m	White	1
1020 110	SLF - P2 W	4,9 mmx15 m	White	1

* See page 308 - 314 for terminal blocks selection guide.



Marking for Terminal Blocks

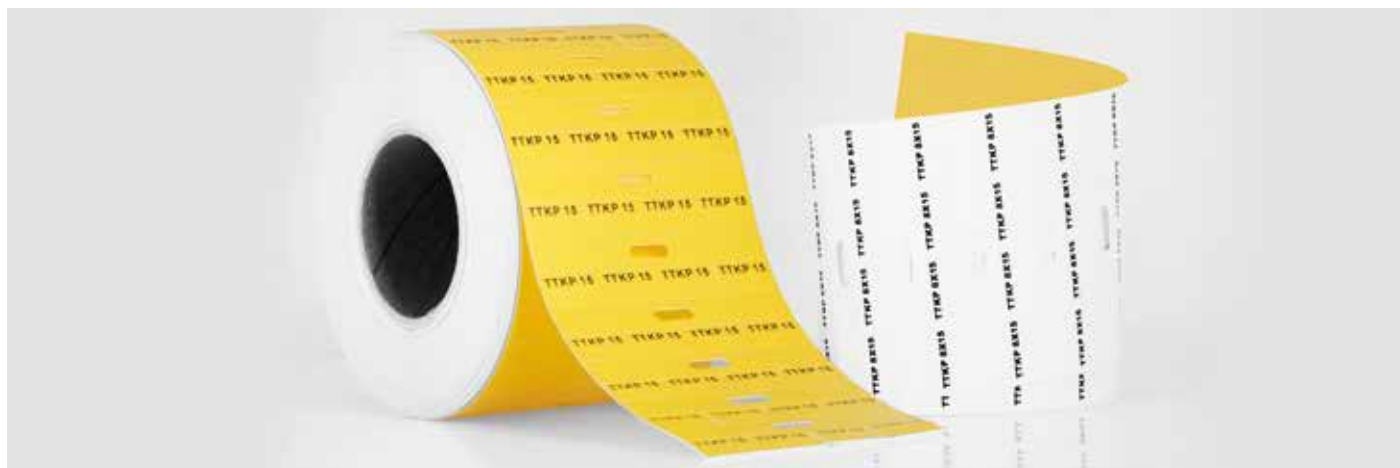
Group Marking Carrier



Order No	Product	Description	Compatible with	Color	Qty.
498 210	ETS 2 PYK 2,5	Group Marking Carrier (two levels)	PYK 2,5 - 2 F / PYK 2,5 - 2 FK / PYK 2,5 - 3 F / PYK 2,5 - 2 FT / PYK 2,5 - 3 FT / PYK 2,5 2 FLD	Beige	50
498 219	ETS 2 PYK 2,5	Group Marking Carrier (two levels)	PYK 2,5 - 2 F / PYK 2,5 - 2 FK / PYK 2,5 - 3 F / PYK 2,5 - 2 FT / PYK 2,5 - 3 FT / PYK 2,5 2 FLD	Grey	50
498 217	ETS 2 PYK 2,5	Group Marking Carrier (two levels)	PYK 2,5 - 2 F / PYK 2,5 - 2 FK / PYK 2,5 - 3 F / PYK 2,5 - 2 FT / PYK 2,5 - 3 FT / PYK 2,5 2 FLD	Orange	50
498 220	ETS 3 PYK 2,5	Group Marking Carrier (three levels)	PYK 2,5 - 3 F / PYK 2,5 - 2 FT / PYK 2,5 - 3 FT	Beige	50
498 229	ETS 3 PYK 2,5	Group Marking Carrier (three levels)	PYK 2,5 - 3 F / PYK 2,5 - 2 FT / PYK 2,5 - 3 FT	Grey	50
498 227	ETS 3 PYK 2,5	Group Marking Carrier (three levels)	PYK 2,5 - 3 F / PYK 2,5 - 2 FT / PYK 2,5 - 3 FT	Orange	50
498 230	ETS 2 PYK 4	Group Marking Carrier (two levels)	PYK 4 - 2FN	Beige	25
498 239	ETS 2 PYK 4	Group Marking Carrier (two levels)	PYK 4 - 2FN	Grey	25
498 237	ETS 2 PYK 4	Group Marking Carrier (two levels)	PYK 4 - 2FN	Orange	25
498 289	ETS	Group Marking Carrier for Screw Terminals	AVK 2,5, AVK 10, AVK 4, AVK 6, AVK 25 RD, AVK 35 RDS, AVK 35 IRDS, AVK 16 RD, AVK 16, AVK 35 RD, AVK 2,5 / 4 TK, AVK 6 TK, AVK 10 TK, AVK 35 T RD, AVK 35 T RDS, AVK 35 T IRDS, AVK 2,5 RD, AVK 4 RD, AVK 2,5 CC, AVK 2,5 T RD, AVK 4 T RD, AVK 2,5 CCT, AVK 4 CCT, AVK 10 T RD 4, AVK 10 RD 4, AVK 4 CC, AVK 2,5 F, AVK 2,5 CF, AVK 95B, AVK 150B, AVK 240B, PIK 2,5 N, PIK 2,5 NT, PIK 4N, PIK 4 NT, ASK 3 A, AVK 2,5 CCA, AVK 4 CCA, ASK 4 B, WGO 3, WGO 1, WGL 1, YBK 2,5, YBK 4, YBK 6, YBK 10, YBK 2,5 T, YBK 4 T, YBK 6 T, YBK 10 T, YBK 2,5 A, YBK 2,5 E, YBK 2,5 C, YBK 2,5 CT, YBK 2,5 ET	Grey	100

Marking for Cables

Cable Markers - TTKP Series



Order No	Product	Print Area (mm)	Color	Labels per Line	Qty.
808 158	TTKP 8x10	4x10	Yellow / White	4	4.000
808 159	TTKP 8x15	4x15	Yellow / White	4	4.000
808 160	TTKP 8x30	4x30	Yellow/ White	2	2.500

Transparent Holders For Cable Markers - KCKKS Series



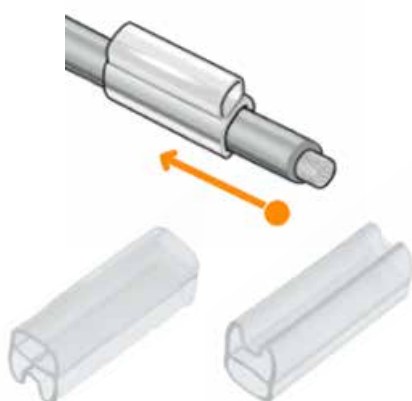
1. Mark the signs on the perforation line.



2. Fold it on the crease line and slide it into label holder.



3. The flexible material optimally adapts to the selected mounting support.



SELECTION GUIDE			
	TTKP 8x10	TTKP 8x15	TTKP 8x30
KCKKS 10	✓		
KCKKS 15		✓	
KCKKS 30			✓

Marking for Cables

PVC Markers - I-KBE Series



1. Mark the signs on the perforation line.



2. Fold it on the crease line and slide it into KBE label holder to placed.



3. Close the label carrier and attach to the cable using a cable tie.

Order No	Product	Print Area (mm)	Color	Qty.
808 164	I-KBE1 29x8 Y/W	29x8	Yellow / White	1.000
808 165	I-KBE2 39x15 Y/W	39x15	Yellow / White	1.000

Selection Guide

Order No	Product	I-KBE 1	I-KBE 2
520 110	KBE 1	✓	
520 120	KBE 2		✓



Cable Labels (Use With Cable Tie)

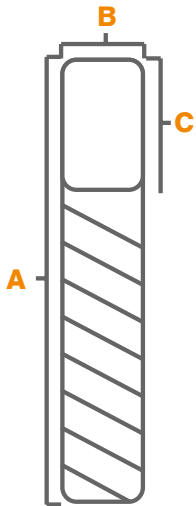
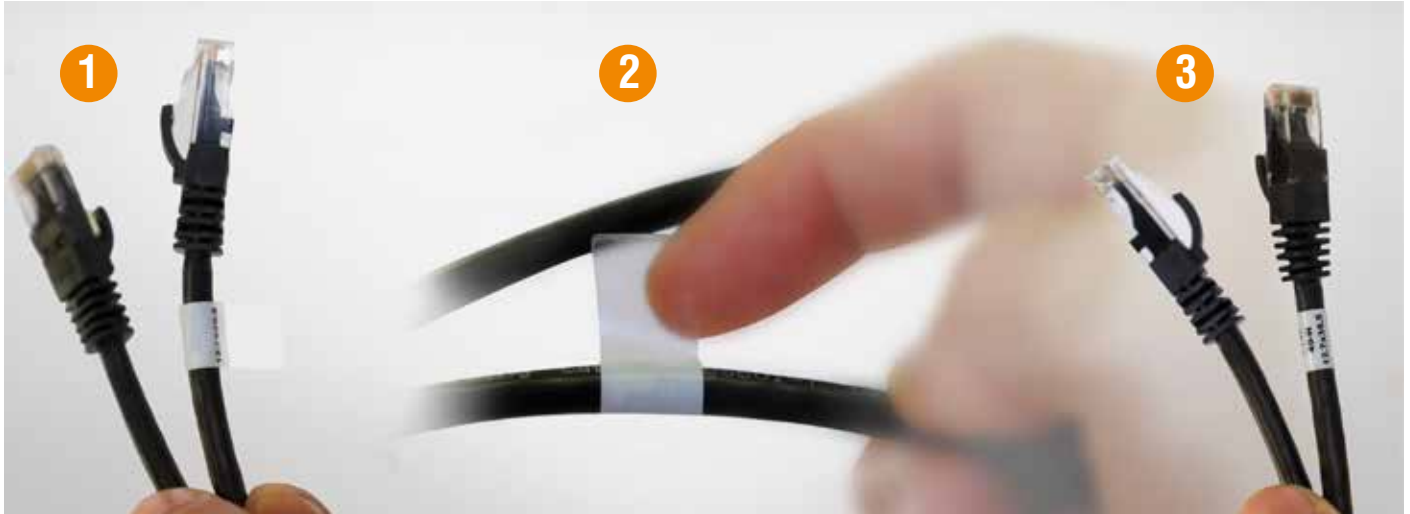


Order No	Product	Print Area (mm)	Cable Ø	Cable Tie Hole Size (mm)	Color	Qty.
808 473	TTKB 60x10 YL/W	44x10	2-10	5x2	Yellow/White	500
808 474	TTKB 60x10 RD/W	44x10	2-10	5x2	Red/White	500
808 475	TTKB 60x10 BL/W	44x10	2-10	5x2	Blue/White	500
808 476	TTKB 60x10 GN/W	44x10	2-10	5x2	Green/White	500
808 477	TTKB 60x10 SV/W	44x10	2-10	5x2	Silver/White	500

* TTKB label is double colored.

Marking for Cables

Self Laminated Cable Markers - TTSL Series



Order No	Product (BxA)	Print Area (BxC) (mm)	Cable Diameter (mm)	Color	Qty.
808 070	TTSL 40- WH 12,7x19,5	12,7x9,5 mm	D: 3	White	5.000
808 071	TTSL 40- WH 19x23,8	19x9,5 mm	D: 4	White	5.000
808 072	TTSL 40- WH 12,7x36,5	12,7x12,7 mm	D: 7	White	5.000
808 073	TTSL 40- WH 19x44,5	19x12,7 mm	D: 10	White	5.000
808 074	TTSL 40- WH 25,4x36,5	25,4x12,7 mm	D: 7	White	1.500
808 075	TTSL 40- WH 25,4x57,15	25,4x19 mm	D: 12	White	1.500
808 076	TTSL 40- WH 25,4x95,25	25,4x25,4 mm	D: 22	White	1.500
808 077	TTSL 40- WH 25,4x152,4	25,4x38,1 mm	D: 36	White	1.000
808 078	TTSL 40- WH 50,8x92,25	50,8x25,4 mm	D: 22	White	1.000
808 079	TTSL 40- WH 50,8x177,8	50,8x38,1 mm	D: 44	White	500

Printable Heatshrink Markers - HSL Series

Halogen Free **VO** raw material



Order No	Product	Qty.
1020 050	HSL Adapter for TTP Series	1
1020 060	HSL Adapter for TE Series	1
1020 070	HSL Adapter for TX Series	1

Order No	Product	Cross-Section (mm)	Length (m)	Color	Qty.
579 010	HSL-02-Y	0.25 ~ 1	400	Yellow	1
579 011	HSL-03-Y	1 ~ 1.5	400	Yellow	1
579 012	HSL-4.5-Y	2.5	100	Yellow	1
579 013	HSL-06-Y	4 ~ 6	200	Yellow	1
579 014	HSL-10-Y	6 ~ 10	100	Yellow	1
579 015	HSL-12-Y	6 ~ 12.7	100	Yellow	1
579 016	HSL-15-Y	7.5 ~ 15	100	Yellow	1
579 017	HSL-19-Y	9.5 ~ 19	100	Yellow	1
579 018	HSL-25-Y	12.5 ~ 25	50	Yellow	1
579 019	HSL-28-Y	14 ~ 28	50	Yellow	1
579 020	HSL-30-Y	16 ~ 30	50	Yellow	1

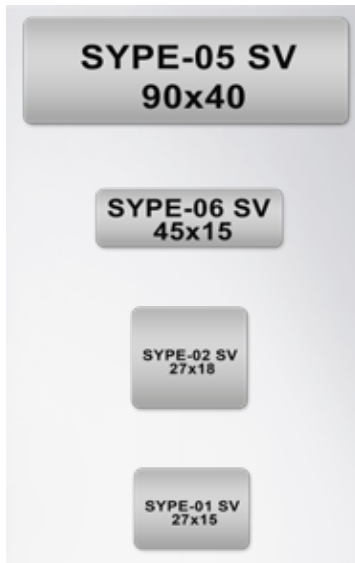
*Heat shrink tubing is printed with 1020013 coded ribbon.

Marking for Panel Surface and Components

Pvc Markers - PYE - SPYE Series



PYE



SPYE

Order No	Product	Print Area (mm)	Color	Qty.
808 403	PYE-01 YL	17x10	Yellow	2.500
808 404	PYE-02 YL	15x6	Yellow	2.500
808 405	PYE-03 YL	12x9	Yellow	2.500
808 406	PYE-04 YL	15x9	Yellow	2.500
808 409	PYE-05 YL	18x8	Yellow	2.500
808 429	SPYE-00 SV	27x12,5	Silver	2.500
808 430	SPYE- 01 SV	27x15	Silver	2.500
808 400	SPYE-02 SV	27x18	Silver	2.500
808 431	SPYE-03 SV	35x18	Silver	1.500
808 401	SPYE- 04 SV	70x30	Silver	250
808 402	SPYE-05 SV	90x40	Silver	250
808 454	SPYE-06 SV	100x50	Silver	250
808 432	SPYE-06 SV	45x15	Silver	2.000

Thick Polyester Markers - ETPS Series



0.8 mm Thickness



Order No	Product	Print Area (mm)	Color	Qty.
808 064	ETPS 40-SV 27x12,5	27x12,5	Silver	200
808 065	ETPS 40-SV 27x15	27x15	Silver	150
808 066	ETPS 40-SV 35x18	35x18	Silver	125
808 067	ETPS 40-SV 45x15	45x15	Silver	125
808 068	ETPS 40-SV 60x30	60x30	Silver	125
808 069	ETPS 40-SV 90x45	90x45	Silver	100

Marking for Panel Surface and Components

Pvc Markers - LSL Series



Order No	Product	Print Area	Color	Qty.
808 470	LSL-1,5 W	1.5 cm x 20 m	White	1
808 471	LSL-1,5 SV	1.5 cm x 20 m	Silver	1
808 472	LSL-1,5 YL	1.5 cm x 20 m	Yellow	1
808 433	LSL-03 W	3 cm x 20 m	White	1
808 434	LSL-03 SV	3 cm x 20 m	Silver	1
808 435	LSL-03 YL	3 cm x 20 m	Yellow	1
808 436	LSL-05 W	5 cm x 20 m	White	1
808 437	LSL-05 SV	5 cm x 20 m	Silver	1
808 438	LSL-05 YL	5 cm x 20 m	Yellow	1
808 439	LSL-08 W	8 cm x 20 m	White	1
808 440	LSL-08 SV	8 cm x 20 m	Silver	1
808 441	LSL-08 YL	8 cm x 20 m	Yellow	1

Marking for Panel Surface and Components

Pvc Markers - T-PBIP Series



Note: To ensure the best printing quality and efficiency on Klemsan Thermal Marking Systems, only Klemsan original consumable products must be used. Otherwise, the subject products will not be covered by warranty conditions.

Order No	Product	Print Area (mm)	Color	Qty.
808 161	T-PBIP 27x15 Y/W	27x15	Yellow / White	1.000
808 162	T-PBIP 50x15 Y/W	50x15	Yellow / White	1.000
808 163	T-PBIP 67x15 Y/W	67x15	Yellow / White	1.000
808 166	T-PBIP 27x8 Y/W	27x8	Yellow / White	1.000
808 167	T-PBIP 27x18 Y/W	27x18	Yellow / White	1.000

Tag Holders Selection Guide



Order No	Product	T-PBIP 27x15	T-PBIP 50x15	T-PBIP 67x15
509 600	Y-PER 1730	✓		
509 601	Y-PER 1752		✓	
509 602	Y-PER 1770			✓
509 700	Y-PBR S	✓		
509 701	Y-PBR T	✓		



Plotter Consumables

PEN PLOTTER SYSTEM

Pen Plotter System is the labeling system which consists of one plotter and PC. System enables to label various kinds of tags by specially developed software. User can follow up by looking at the monitor and choose the right tag to be written easily. Marking is done on the standard polycarbon made blank tags which are resistible to rough environment conditions (dust, dirt and oil), frictions and ageing. System has a user friendly simple program working with Windows Operating System, and allows to import data from other files, such as E-Plan and Excel files.



K-R Type Plotter Pens and Ink

The refillable plotter pen K-R Type is available with six widths, used with etching ink. Ink cartridges containing special ink are suitable for marking, indentifying and labeling various plastics. It is fast-drying, smudge proof, light fast and resistant to spirits and petrol when used on suitable plastic material. It is possible to remove labels without damaging the underlying material by using the cleaning fluid.



Order No	Product	Width	Qty.
807 040	PLOT K-R 0,18 mm	0,18	1
807 041	PLOT K-R 0,25 mm	0,25	1
807 042	PLOT K-R 0,35 mm	0,35	1
807 043	PLOT K-R 0,50 mm	0,5	1
807 044	PLOT K-R 0,70 mm	0,7	1
807 045	PLOT K-R 1,00 mm	1	1

Order No	Product	Description	Qty.
807 070	PLOT KRT-P 1 ml.	5 x 1 ml. Cartridge	1

D Type Plotter Pens

The disposable plotter pen D Type is available with two widths. Once activated, pen should be kept in a dry, cool places, if not in use.



Order No	Product	Width	Qty.
807 921	KLM PLOTTER PEN - D 0,25 mm P 2.0	0,25	1
807 922	KLM PLOTTER PEN - D 0,35 mm P 2.0	0,35	1

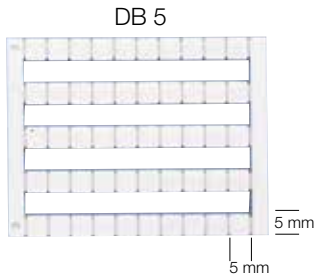
Eco Series Plotter Pens

Eco series hand pens are produced with one side 0,35 mm width, the other 0,70 mm width. That gives possibility to label by one pen tags for terminals and tags with bigger sizes.



Order No	Product	Width	Qty.
807 055	Pilot Hand Pen	0,35 -0,70	12
807 907	Adaptor Pilot Pen Small (for Terminal Block Labels)		1
807 908	Adaptor Pilot Pen Large (for Button Labels)		1

Terminal Block Marking Tags



Order No	Product	Print Area	Print Area (mm)	Color	Qty.
503 700	DB 7,5x4,5	Plate	7,5x4,5	White	500
503 000	DB 10/4	Plate	10x4	White	500
505 850	DB 5	Plate	5x5	White	500
505 910	DB 10/5	Plate	10x5	White	510
505 915	DB 10/6	Plate	10x6	White	510
505 920	DB 10/6,5	Plate	10x6,5	White	510
505 310	DG 10/5	Plate	10x5	White	440
505 320	DG 10/6	Plate	10x6	White	360
505 330	DG 6/5	Plate	6x5	White	400
505 340	DG 7/5	Plate	7x5	White	440
505 380	DG 10/5 T	Plate	10x5	White	440
505 390	DG 10/6 T	Plate	10x6	White	360
505 410	DG 10/8	Plate	10x8	White	260
505 430	DG 10/10	Plate	10x10	White	200
502 000	DB 6/4	Plate	6x4	White	500



Labeling with KLM Plotter Marking for Terminal Blocks

DG 10/5



DG 10/5 T



DG 10/6



DG 10/6 T

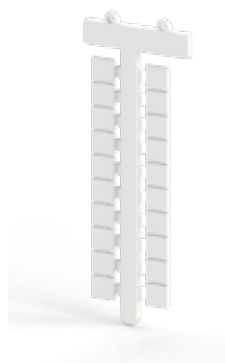


General Features				
Order No	505 310	505 380	505 320	505 390
Dimensions	10 x 5	10 x 5	10 x 6	10 x 6
Quantity	440	440	360	360
Plotter Plate	PLOT PL - A	PLOT PL - A	PLOT PL - A	PLOT PL - A

DG 6/5



DG 10/8



DG 10/10



DB 4



General Features				
Order No	505 330	505 410	505 430	503 000
Dimensions	6 x 5	10 x 8	10 x 10	10 x 4
Quantity	400	260	200	500
Plotter Plate	PLOT PL - A	PLOT PL - A	PLOT PL - A	PLOT PL - DB 4

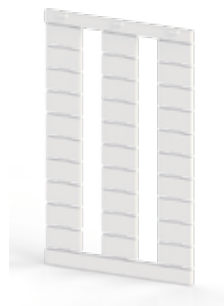
DB 5



DB 10/5



DB 10/6

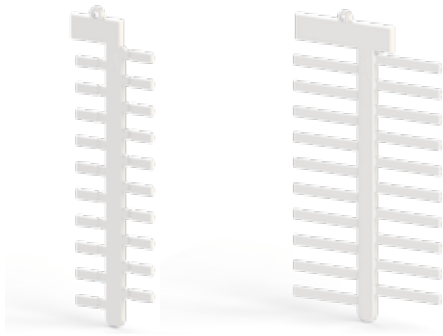


DB 10/6,5



General Features				
Order No	505 850	505 910	505 915	505 920
Dimensions	5 x 5	10 x 5	10 x 6	10 x 6,5
Quantity	500	500	500	500
Plotter Plate	PLOT PL - DB 5	PLOT PL - DB	PLOT PL - DB	PLOT PL - DB

Cable Marking Tags



Order No	Product	Type	Print Area (mm)	Color	Qty.
508 001	KIP 10 W	Plate	10x4	White	480
508 002	KIP 10 Y	Plate	10x4	Yellow	480
508 003	KIP 15 W	Plate	15x4	White	480
508 004	KIP 15 Y	Plate	15x4	Yellow	480
508 012	KIP 18 W	Plate	18x4	White	240
508 013	KIP 18 Y	Plate	18x4	Yellow	240
508 005	KIP 23 W	Plate	23x4	White	240
508 006	KIP 23 Y	Plate	23x4	Yellow	240
508 008	KIP 30 W	Plate	30x4	White	240
508 009	KIP 30 Y	Plate	30x4	Yellow	240

Cable Marking Sleeve Selection Guide



	KIP 10	KIP 15	KIP 18	KIP 23	KIP 30
KCKKS 10 Series	✓				
KCKKS 15 Series		✓			
KCKKS 18 Series			✓		
KCKKS 23 Series				✓	
KCKKS 30 Series					✓

Cable Marking Tags Marking Plates

KIP 10 W



KIP 15 W



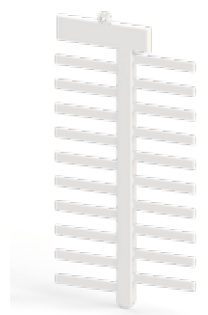
KIP 18 W



KIP 23 W



KIP 30 W



General Features					
Order No	508 001	508 003	508 012	508 005	508 008
Dimensions	10 x 4	15 x 4	18 x 4	23 x 4	30 x 4
Quantity	480	480	240	240	240
Plotter Plate	PLOT PL - A	PLOT PL - A	PLOT PL - A	PLOT PL - A	PLOT PL - A

Marking Plates					
Type	KIP 10 Y	KIP 15 Y	KIP 18 Y	KIP 23 Y	KIP 30 Y
Order No	508 002	508 004	508 013	508 006	508 009
Qty.	480	480	240	240	240
Color	Yellow	Yellow	Yellow	Yellow	Yellow

Marking Tags for Cable Ties



Cat. No.	Product	Max. Label Size (mm)	Dimensions (mm)	Color	Qty.
508 070	KBEP 209 W	20 x 9	-	White	240
508 071	KBEP 209 Y	20 x 9	-	Yellow	240
508 090	KBEP 2712 W	27 x 12	-	White	160

Self-Adhesive Panel Labels for Contactors



Order No	Product	Type	Print Area (mm)	Color	Qty.
508 051	KOIP SM W	Plate	20x9	White	240
508 057	KOIP TT W	Plate	17x8	White	240
Description					
Labelled with AVK 50, AVK 70 RD, AVK 95, AVK 150, AVK 240, AVK PB 50, AVK PB 70 RD, AVK PB 95, AVK PB 150, AVK PB 240					

* KOIP SM Series labels are compatible with Siemens contactors.

* KOIP TT Series labels are compatible with Telemec contactors.

Self-Adhesive Panel Labels

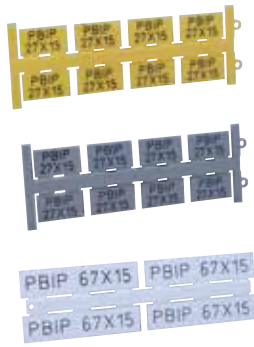


Order No	Product	Type	Print Area (mm)	Color	Qty.
508 060	Y-KOIP 209 W	Plate	20x9	White	240
508 061	Y-KOIP 209 Y	Plate	20x9	Yellow	240
508 065	Y-OIP 1710 W	Plate	17x10	White	288
508 066	Y-OIP 1710 Y	Plate	17x10	Yellow	288
508 820	Y-PBIP 2715 W	Plate	27x15	White	192
508 821	Y-PBIP 2715 G	Plate	27x15	Grey	192
508 822	Y-PBIP 2715 Y	Plate	27x15	Yellow	192
508 823	Y-PBIP 5015 W	Plate	50x15	White	96
508 824	Y-PBIP 5015 G	Plate	50x15	Grey	96
508 825	Y-PBIP 5015 Y	Plate	50x15	Yellow	96
508 826	Y-PBIP 6715 W	Plate	67x15	White	96
508 827	Y-PBIP 6715 G	Plate	67x15	Grey	96
508 828	Y-PBIP 6715 Y	Plate	67x15	Yellow	96

* Y-KOIP 209 Series labels are compatible with Siemens contactors.

* Y-OIP 1710 Series labels are compatible with Telemec contactors.

Marking Tags for Panels/Buttons



Order No	Product	Print Area (mm)	Type	Color	Qty.
508 800	PBIP 2715 W	27x15	Plate	White	192
508 801	PBIP 2715 G	27x15	Plate	Grey	192
508 802	PBIP 2715 Y	27x15	Plate	Yellow	192
508 803	PBIP 5015 W	50x15	Plate	White	96
508 804	PBIP 5015 G	50x15	Plate	Grey	96
508 805	PBIP 5015 Y	50x15	Plate	Yellow	96
508 806	PBIP 6715 W	67x15	Plate	White	96
508 807	PBIP 6715 G	67x15	Plate	Grey	96
508 808	PBIP 6715 Y	67x15	Plate	Yellow	96

Panel Marking Product Selection Guide

PRODUCT		PBIP 2715	PBIP 5015	PBIP 6715
	Dimensions (mm)	27x15	50x15	67x15
First Step: Select panel marking tag.	Color	White	White	White
		Grey	Grey	Grey
		Yellow	Yellow	Yellow
Second Step: Select plate carrier.	Y-PER 1730	✓		
	Y-PER 1752		✓	
	Y-PER 1770			✓
	Y-PBR T	✓		
	Y-PBR S	✓		
Third Step: Select protective cover.	PBKP 2715	✓		
	PBKP 5015		✓	
	PBKP 6715			✓

Self-Adhesive Paper Labels



Order No	Product	Description	Print Area (mm)	Color	Qty.
508 520	SIT FP 4407	Paper Labels for ME3 Group Labeling	7x44	White	136
508 530	SIFX 0615 Y	Self-Adhesive Paper Label	6x15	Yellow	2.850
508 531	SIFX 0912 Y	Self-Adhesive Paper Label	9x12	Yellow	2.300
508 532	SIFX 0915 Y	Self-Adhesive Paper Label	9x15	Yellow	1.900
508 534	SIFX	Paper Labels for ME Group Labeling	6x43.8	Yellow	900

* Used with plotter.



Order No	Product	Description	Print Area (mm)	Color	Qty.
808 412	OYE-07 Y	Self-Adhesive Label for Office Printer	7x44	White	1.560
808 413	OYE-06 Y	Self-Adhesive Label for Office Printer	38x10	Yellow	1.260
808 414	OYE-05 Y	Self-Adhesive Label for Office Printer	20x8	Yellow	3.450
808 415	OYE-03 Y	Self-Adhesive Label for Office Printer	12x9	Yellow	4.600
808 416	OYE-01 Y	Self-Adhesive Label for Office Printer	17x10	Yellow	2.880
808 417	OYE-04 Y	Self-Adhesive Label for Office Printer	15x9	Yellow	3.600
808 418	OYE-02 Y	Self-Adhesive Label for Office Printer	15x6	Yellow	5.400

* Used with plotter and office printer.

Warning Labels



Order No	Product	Terminals used
498 110	IP 1S	PEK 2,5;
498 120	IP 1	PEK 2,5 K
498 130	IP 2S	AVK 2.5; AVK 4; AVK 6; AVK 10; AVK 2.5 RD; AVK 4 RD; AVK 2.5 T RD; AVK 4 T RD
498 140	IP 2	AVK 2.5; AVK 4; AVK 6; AVK 10; AVK 2.5 RD; AVK 4 RD; AVK 2.5 T RD; AVK 4 T RD
498 143	IP 3S	AVK 16; AVK 16 RD; AVK 35 RD; AVK 35 T RD
498 145	IP 3	AVK 16; AVK 16 RD; AVK 35 RD; AVK 35 T RD
498 150	IP 2T	PEK 2,5 T; PEK 4 T
498 160	IP 4S	YBK 2.5; YBK 4; YBK 6; YBK 10
498 170	IP 4	YBK 2.5; YBK 4; YBK 6; YBK 10
498 240	IP 5	AVK 50 - 70RD - 95 - 150 - 240
498 250	IP 5S	AVK 50 - 70RD - 95 - 150 - 240

Product Name	DB 6/4	DB 10/4	DB5-DY5	DB 10/5	DB 10/6	DB 10/6,5	DB 7,5/4,5	DG 6/5	DG 7/5	DG 10/5	DG 10/6	DG 10/8	DG 10/10	DG 10/5T	DG 10/6T	KOIP	SM	W
AVK 2,5				•						•				•				
AVK 4					•						•				•			
AVK 6												•						
AVK 10													•					
AVK 16													•					
AVK 50																		•
AVK 70 RD																		•
AVK 95																		•
AVK 150																		•
AVK 240																		•
AVK 2,5 RD				•						•				•				
AVK 4 RD					•						•				•			
AVK 16 RD													•					
AVK 25 RD													•					
AVK 35 RD													•					
AVK 50T																		•
AVK 2,5T RD				•						•				•				
AVK 4 T RD					•						•				•			
AVK 16 T RD													•					
AVK 35 T RD													•					
AVK PB 50																		•
AVK PB 70 RD																		•
AVK PB 95																		•
AVK PB 150																		•
AVK PB 240																		•
AVK 95 B													•					
AVK 150 B													•					
AVK 240 B													•					
AVK 2,5 CC				•						•				•				
AVK 4 GD			•		•			•			•				•			
AVK 10 RD 4													•					
AVK 2,5 F				•						•				•				
AVK 2,5 CF				•						•				•				
AVK 2,5 A				•						•				•				
AVK 2,5R				•						•				•				
AVK 2,5RT				•						•				•				
AVK SKT			•					•										
AVK SKTD			•					•										
AVK AS			•		•						•				•			
AVK ASD			•		•						•				•			
AVK 2,5 CCT				•						•				•				
AVK 10 T RD 4													•					
AVK 2,5 EA				•						•				•				
AVK 2,5 CCA				•						•				•				
AVK 4 FS			•					•										
AVK 2,5-4TK					•						•				•			
AVK 4A					•										•			
AVK 4CC					•						•				•			
AVK 4CCA					•						•				•			
AVK 4CE					•						•				•			
AVK 4CEA					•						•				•			
AVK Y4					•										•			
AVK Y6												•						
AVK Y10													•					
AVK 4R					•						•				•			
AVK 4RT					•						•				•			
AVK 6TK												•						
AVK 10TK													•					
AVK 35 IRDS													•					

Product Name	DB 6/4	DB 10/4	DB5-DY5	DB 10/5	DB 10/6	DB 10/6,5	DB 7,5/4,5	DG 6/5	DG 7/5	DG 10/5	DG 10/6	DG 10/8	DG 10/10	DG 10/5T	DG 10/6T	KOIP SM W
AVK 35 RDS													•			
AVK 35T IRDS													•			
AVK 35T RDS													•			
MVK 2,5			•					•								
MVK 4			•					•								
MVK 2,5 T			•					•								
MVK 4 T			•					•								
PIK 2,5 N				•						•				•		
PIK 2,5 NK				•						•				•		
PIK 2,5 ND-A				•						•				•		
PIK 2,5 ND-B				•						•				•		
PIK 2,5 NLD				•						•				•		
PIK 4 N					•						•				•	
PIK 4 NK					•						•				•	
PIK 4 ND-A					•						•				•	
PIK 4 ND-B					•						•				•	
PIK 4 NLD					•						•				•	
PIK 4 FS			•													
PIK 10 N			•													
PIK 2,5 NT				•						•				•		
PIK 4 NT					•						•				•	
PUK 3			•													
PUK 2 T			•													
PUK 3 T			•													
PUK 3 S			•													
PUK 3 SLD (NPN)			•													
PUK 3 SLD (PNP)			•													
ASK 2 B			•													
ASK 2 S			•													
ASK 3 A			•		•											
ASK 3 MB			•		•											
ASK 3 FB			•		•											
ASK 4 B												•				
ASK 4 S												•				
ASK 4 LD												•				
ASK 5												•				
ASK 5B												•				
ASK 5 LD												•				
ASK 2 LD			•													
ASK 3 M			•		•											
ASK 3 MLD			•		•											
ASK 3 F			•		•											
ASK 3 FLD			•		•											
PYK 1,5 M	•															
PYK 1,5		•														
PYK 2,5				•						•				•		
PYK 4					•						•				•	
PYK 6												•				
PYK 10													•			
PYK 1,5 MT	•															
PYK 2,5 T				•						•				•		
PYK 4 T					•						•				•	
PYK 6 T												•				
PYK 10 T													•			
PYK 2,5-2 F				•						•				•		
PYK 2,5-2 FK				•						•				•		
PYK 2,5 - 2 FLD				•						•				•		
PYK 4 - 2 F					•						•				•	
PYK 2,5 - 2 FD A				•						•				•		

Product Name	DB 6/4	DB 10/4	DB5-DY5	DB 10/5	DB 10/6	DB 10/6,5	DB 7,5/4,5	DG 6/5	DG 7/5	DG 10/5	DG 10/6	DG 10/8	DG 10/10	DG 10/5T	DG 10/6T	KOIP	SM	W
PYK 2,5 - 2 FD B				•						•								
PYK 2,5 - 3 F				•						•								
PYK 2,5 - 2 FT				•						•								
PYK 2,5 - 3 FT				•						•								
PYK 3 S				•						•								
PYK 3 SLD (NPN)				•						•								
PYK 3 SLD (PNP)				•						•								
PYK 4 S			•									•						
PYK 4 I			•									•						
PYK 4 ILD			•									•						
PYK 4 SLD			•									•						
PYK 2,5 A				•						•								
PYK 2,5 EA				•						•								
PYK 2,5 CCA				•						•								
PYK 2,5 E				•						•								
PYK 2,5 ET				•						•								
PYK 1,5 MC	•																	
PYK 1,5 MCT	•																	
PYK 1,5 ME	•																	
PYK 1,5 MET	•																	
PYK 2,5 C				•						•								
PYK 2,5 CT				•						•								
PYK 4 E					•						•							
YBK 2,5				•						•								
YBK 4					•						•							
YBK 6												•						
YBK 10													•					
YBK 2,5 T				•						•								
YBK 4 T					•						•							
YBK 6 T												•						
YBK 10 T													•					
MYK 2,5			•					•										
MYK 2,5 C			•					•										
MYKR 2,5			•					•										
MYKR 2,5 C			•					•										
MYK 2,5 T			•					•										
MYPK 2,5			•					•										
MYPK 2,5 C			•					•										
MYSK 2,5			•					•										
YBK 2,5-2 F			•					•										
YBK 2,5-2 FK			•					•										
YBK 2,5-2 FD-A			•					•										
YBK 2,5-2 FD-B			•					•										
YBK 2,5-2 FLD			•					•										
YBK 4-2 F					•						•						•	
YBK 4-2 FK					•						•						•	
YBK 4-2 FD-A					•						•						•	
YBK 4-2 FD-B					•						•						•	
YBK 4-2 FLD					•						•						•	
YBK 2,5-3 F			•					•										
YBK 2,5-2 FT			•					•										
YBK 2,5-3 FLD (NPN)			•					•										
YBK 2,5-3 FLD (PNP)			•					•										
YBK 3 S			•					•										
YBK 3 SLD (NPN)			•					•										
YBK 3 SLD (PNP)			•					•										
YBK S			•					•										
YBK SB			•					•										
YBK SLD			•					•										

Product Name	DB 6/4	DB 10/4	DB5-DY5	DB 10/5	DB 10/6	DB 10/6,5	DB 7,5/4,5	DG 6/5	DG 7/5	DG 10/5	DG 10/6	DG 10/8	DG 10/10	DG 10/5T	DG 10/6T	KOIP SM W
YBK 2,5 A				•						•				•		
YBK I			•					•								
YBK IB			•					•								
YBK ILD			•					•								
YBK 2,5 E				•						•				•		
YBK 2,5 C				•						•				•		
YBK 2,5 CX2				•						•				•		
YBK 2,5 CD				•						•				•		
YBK 2,5 CLD				•						•				•		
YBK 2,5 CT				•						•				•		
YBK 2,5 ET				•						•				•		
PCY 2,5			•					•								
PCY 2,5 N			•					•								
PCY 2,5 E			•					•								
PCY 2,5 L			•					•								
PCY 2,5 EL			•					•								
PB 2,5					•						•				•	
PB 2,5T					•						•				•	
PB 2,5K					•						•				•	
PB 6												•				
PB 6K												•				
PB 25_M5													•			
PB 25_M6													•			
PB 6 T												•				
CPB 6			•					•								
CPB 6B			•					•								
WGO 1												•				
WGO 2 N													•			
WGO 2 IR													•			
WGO 3												•				
WGO 4												•				
WGO 5												•				
WGL 1												•				
WGO Y 6												•				
WGO YD 6												•				
WGO PB 6												•				
WGO PBD 6												•				
PYKM 2,5			•	•				•						•		
PYKM 2,5 T			•	•				•						•		
PYKMR 2,5			•	•				•						•		
AYK 10/16			•					•								
TRV 4							•		•							
TRV 4 B							•		•							
TRV 4 M							•		•							
TRV 4 S			•				•	•	•							
TRV 4 T							•		•							
TRV 10							•		•							
WG - Eki					•						•				•	
CPB 6U			•					•								

Slotted Wiring Ducts

HALOGEN FREE Wiring Ducts

- Low Smoke
- Halogen Free
Zero Halogen
- Complying EN45545-2
for Railway Industry
(R22-R23, HL3)
- Material: PC-ABS



- Flame-retardant, self-extinguishing according to UL94-V0
- EN50085-2-3-approved
- Colour: Light Grey: RAL 7035
- Temperature range from -25 °C to +90 °C

Preferred and applied in public areas, such as;



Hospitals



Multistory and
High Buildings



Mining Facilities



Railway Industries



Marine Industries



Hotels



Laboratories



Schools



Airplanes



Cinema and Theater
Halls



Subway and Highway
Tunnels



Shopping Centers



Airport Terminals

Slotted Wiring Ducts

Halogen Free For **Highest Safety**



Why Low Smoke **Halogen Free (LSHF)** products?

When PVC or other traditional plastics ignite in a fire, they emit corrosive & toxic gases like Chlorine. Moreover, these are soluble in moisture, forming Hydrochloric acid, which destroy electronics, semiconductors and intrinsic electrical circuits.

It can be fatally hazardous to humans if they cannot escape from the smoky area contaminated with toxic elements. Toxic fumes are not only a serious health risk but also cause serious damage and problems to crucial machineries.

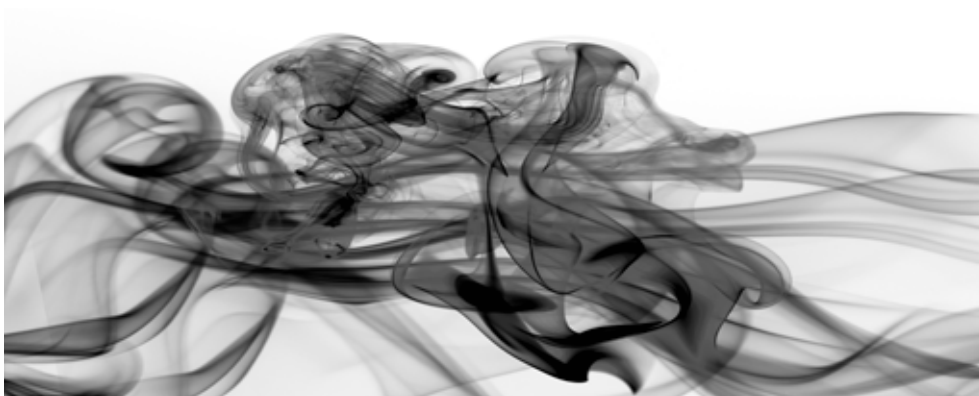
The Difference Between **PVC** and **PC/ABS**

Due to its high level of flame-retardancy, PVC has been used as an appropriate cable insulation material for many years. However, in the event of a fire this will generate dense black smoke, with toxic and corrosive gases that can cause fatality and destruction.

✔ PC/ABS passes the Halogen free tests and Low Smoke tests **successfully**.

Halogen Free wires and cables are already compulsory in many areas as they are safer. In the same way, Halogen Free Wiring Duct is especially important to be used in closed areas where the exits are limited; such as Public Transport, Hospitals, Malls etc.

PVC generates **dense black smoke** when it burns



EN 45545-2 European Union Standards Fire Testing to Railway Components



KLEMSAN offers a wide range of Wiring Ducts in materials that are compliant with the smoke generation and toxicity requirements of the **EN 45545-2** European Railway Standards for fire safety classes **R22 - R23** and Hazard Levels **HL1 - HL2 - HL3**.

Vehicles are classified as: HL1, HL2 or HL3, depending on their time in tunnels and the availability of sleeping cars. The HL1 classification represents the lowest hazard level and HL3 represents the highest. Please refer to EN 45545-2 for definitions.



LSHF Material Properties - **PC/ABS** Raw Material



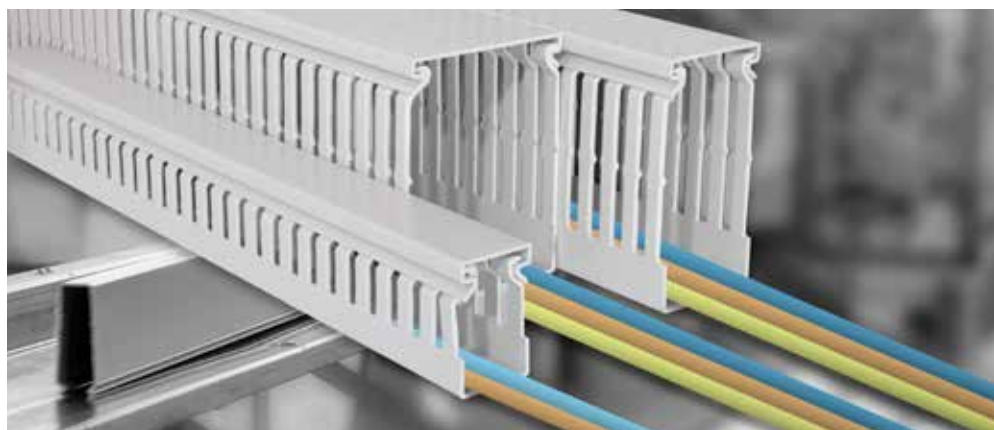
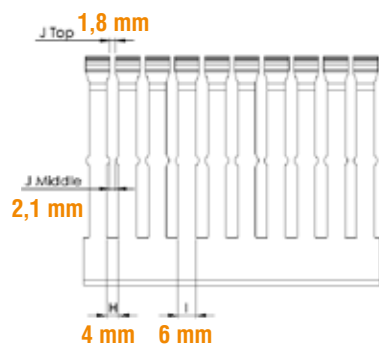
Our Halogen Free Wiring Ducts are made of a special purpose LSHF and flame retardant PC/ABS blend containing **NO Bromide, NO Chlorine and NO Fluorine**. It still offers high impact resistance and excellent characteristics used for higher temperature applications. These are in compliance with **EN 45545-2** European Union Standards.

LSHF material also has characteristics of self-extinguishing, UL94 flammability rating of V-0. It is RoHS compliant, environmentally safe and is 20% lighter than PVC.

Our LSHF material is resistant to abnormal heat and fire. It has proven dimensional stability between **-25 °C / + 90 °C**. Also, the Halogen Free Wiring Ducts are manufactured in compliance with the Standard EN 50085-2-3. Ideal for applications where public safety during a fire is a concern.

Slotted Wiring Ducts

LSHF (Low Smoke Halogen Free) - Wiring Ducts



Order No	Product	Size WxH (mm)	Color	Qty.
540 010	KHF 2530 Wiring Duct	25X30	Grey	46x2 m
540 020	KHF 2540 Wiring Duct	25X40	Grey	50x2 m
540 030	KHF 2560 Wiring Duct	25X60	Grey	30x2 m
540 060	KHF 4040 Wiring Duct	40X40	Grey	24x2 m
540 070	KHF 4060 Wiring Duct	40X60	Grey	18x2 m
540 080	KHF 4080 Wiring Duct	40X80	Grey	20x2 m
540 100	KHF 6040 Wiring Duct	60X40	Grey	18x2 m
540 110	KHF 6060 Wiring Duct	60X60	Grey	12x2 m
540 120	KHF 6080 Wiring Duct	60X80	Grey	12x2 m
540 150	KHF 8060 Wiring Duct	80X60	Grey	14x2 m
540 160	KHF 8080 Wiring Duct	80X80	Grey	10x2 m

- Excellent fire-safety characteristics.
 - Smooth, burr-free edges protect installers from injury and wires from damage.
 - Ribs can be removed easily thanks to upper scorlines.
 - Lower scorlines at base of sidewall allow cutting out and removing sections of sidewall with no sharp edges.
 - Duct covers hold securely even in a vertical position and under vibration.
- **Wiring duct covers are included the package.**

LSHF - Wiring Duct Covers



HFK 25mm



HFK 60mm

Order No	Product	Size (mm)	Color
540 600	HFK 25mm Wiring Duct Cover	25	Grey
540 610	HFK 40mm Wiring Duct Cover	40	Grey
540 620	HFK 60mm Wiring Duct Cover	60	Grey
540 630	HFK 80mm Wiring Duct Cover	80	Grey



Slotted Wiring Ducts

Klemsan “Trunkie” PVC Wiring Ducts



Solutions **Which Simplify Wiring**

- Now wire management is much easier.
- You can easily mount wire retainers on the bottom rail of the duct without screw and slide them along the rail.



Durability and **Reliability**

- Assembly or disassembly of the covers is the most difficult operation when ducts are fully wired, design of Trunkie speeds up your work.
- Trunkie enables the customer to use the maximum inner space of the duct and keeps the rigidity even at maximum load of cables.



Appearance

- Special rib pattern allows the end-user to make cable grouping easier.



Speed and **Efficiency**

- Furthermore, Trunkie helps you save time while breaking off ribs in groups.
- Without using any hand tools,

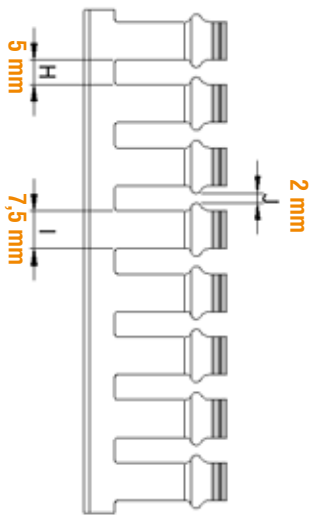
simply bend the duct ribs to 60° - 90°

and easily break them inside the panel.

Slotted Wiring Ducts

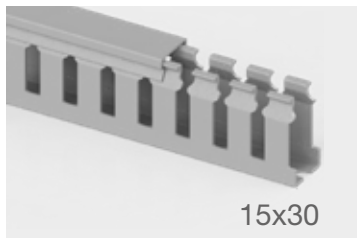
PVC Wiring Ducts Product Range

MEDIUM Slotted

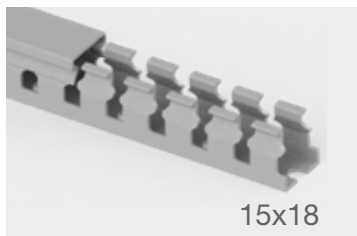


Self-adhesive

Order No	Product	Size WxH (mm)	Color	Qty.
551 060YP	KKC 1518	15x18	Grey	122x2 m
551 070YP	KKC 1530	15x30	Grey	104x2 m
551 080YP	KKC 1540	15x40	Grey	80x2 m
551 090YP	KKC 1560	15x60	Grey	42x2 m
551 060	KKC 1518	15x18	Grey	126x2 m
551 070	KKC 1530	15x30	Grey	106x2 m
551 080	KKC 1540	15x40	Grey	80x2 m
551 090	KKC 1560	15x60	Grey	42x2 m



15x30



15x18

- No lower scorline available for this range.
- Upper scorline is available for breaking off the ribs.
- Operating Temperature: -15°C to 60°C
- Standard Length: 2 meters
- Color Option: RAL 7030 Grey
- Complies with RoHS regulations.
- Complies with IEC 60695-2-1 and EN 50085-2-3 standards.

• **Wiring duct covers are included the package.**



Order No	Type	Description	Size (mm)									
			A	B	C	D	E	F	G	H	I	J
540 010	KHF 2530	HF Wiring Duct	25	26,6	30	8,00	1,55	1,55	9,55	4	6	Top 1.8 - Middle 2.1
540 020	KHF 2540	HF Wiring Duct	25	36,8	40	10,00	1,60	1,60	11,60	4	6	
540 030	KHF 2560	HF Wiring Duct	25	56,8	60	12,00	1,60	1,60	13,60	4	6	
540 060	KHF 4040	HF Wiring Duct	40	36,9	40	10,00	1,60	1,60	11,60	4	6	
540 070	KHF 4060	HF Wiring Duct	40	56,9	60	12,00	1,60	1,60	13,60	4	6	
540 080	KHF 4080	HF Wiring Duct	40	76,9	80	14,00	1,80	1,80	15,80	4	6	
540 100	KHF 6040	HF Wiring Duct	60	37,0	40	10,00	1,60	1,60	11,60	4	6	
540 110	KHF 6060	HF Wiring Duct	60	57,1	60	12,00	1,80	1,80	13,80	4	6	
540 120	KHF 6080	HF Wiring Duct	60	77,1	80	14,00	1,90	1,90	15,90	4	6	
540 150	KHF 8060	HF Wiring Duct	80	57,1	60	12,00	1,80	1,80	13,80	4	6	
540 160	KHF 8080	HF Wiring Duct	80	77,1	80	14,00	2,00	2,00	16,00	4	6	

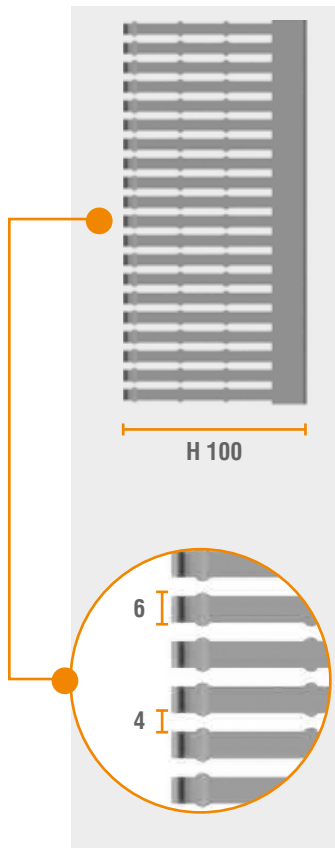
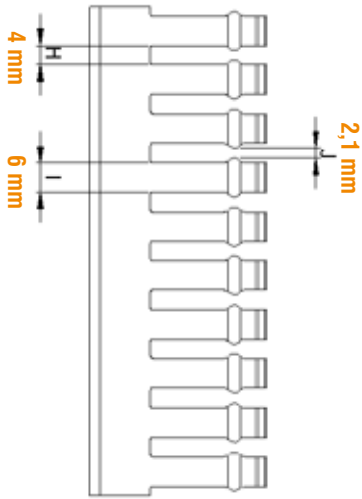
Low Smoke Halogen Free



Slotted Wiring Ducts

PVC Wiring Ducts Product Range

NARROW Slotted



Order No	Product	Size WxH (mm)	Color	Qty.
551 010	KKC 2530	25x30	Grey	50x2 m
551 011	KKC 2540	25x40	Grey	50x2 m
551 012	KKC 2560	25x60	Grey	30x2 m
551 030	KKC 2580	25x80	Grey	28x2 m
551 031	KKC 2510	25x100	Grey	22x2 m
551 013	KKC 4040	40x40	Grey	26x2 m
551 014	KKC 4060	40x60	Grey	18x2 m
551 015	KKC 4080	40x80	Grey	20x2 m
551 032	KKC 4010	40x100	Grey	14x2 m
551 016	KKC 6040	60x40	Grey	18x2 m
551 017	KKC 6060	60x60	Grey	12x2 m
551 018	KKC 6080	60x80	Grey	12x2 m
551 033	KKC 6010	60x100	Grey	18x2 m
551 034	KKC 8040	80x40	Grey	18x2 m
551 019	KKC 8060	80x60	Grey	14x2 m
551 020	KKC 8080	80x80	Grey	10x2 m
551 035	KKC 8010	80x100	Grey	12x2 m
551 021	KKC 1006	100x60	Grey	10x2 m
551 022	KKC 1008	100x80	Grey	8x2 m
551 036	KKC 1001	100x100	Grey	12x2 m
551 023	KKC 1206	120x60	Grey	8x2 m
551 024	KKC 1208	120x80	Grey	6x2 m
551 025	KKC 1201	120x100	Grey	10x2 m
551 040	KKC 1501	150x100	Grey	8x2 m

- Upper scorline is available for breaking off the ribs.
- Lower scorline is available.
- Operating Temperature: -15°C to 60°C
- Standard Length: 2 meters
- Color Option: RAL 7030 Grey
- Complies with RoHS regulations.
- Complies with IEC 60695-2-12 and EN 50085-2-3 standards.

• **Wiring duct covers are included the package.**

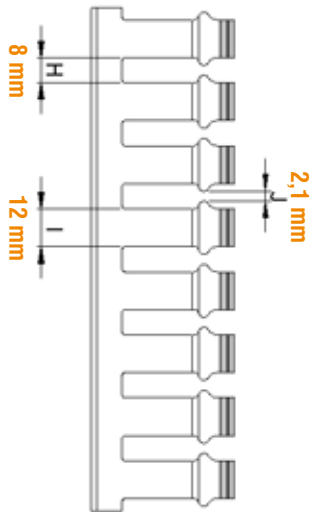


Color			
Color code is the last digit of the order number			
Blue	Black	White	Grey
.....BLBKWBG

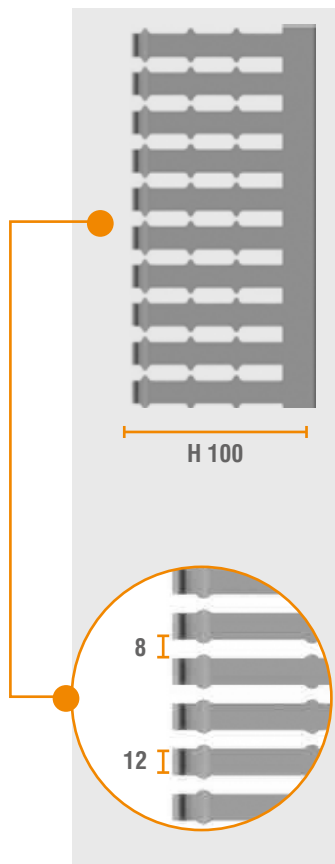
Slotted Wiring Ducts

PVC Wiring Ducts Product Range

WIDE Slotted



Order No	Product	Size WxH (mm)	Color	Qty.
551 013WS	KKC 4040	40x40	Grey	26x2 m
551 014WS	KKC 4060	40x60	Grey	18x2 m
551 015WS	KKC 4080	40x80	Grey	20x2 m
551 032WS	KKC 4010	40x100	Grey	14x2 m
551 016WS	KKC 6040	60x40	Grey	18x2 m
551 017WS	KKC 6060	60x60	Grey	12x2 m
551 018WS	KKC 6080	60x80	Grey	12x2 m
551 033WS	KKC 6010	60x100	Grey	18x2 m
551 034WS	KKC 8040	80x40	Grey	18x2 m
551 019WS	KKC 8060	80x60	Grey	14x2 m
551 020WS	KKC 8080	80x80	Grey	10x2 m
551 035WS	KKC 8010	80x100	Grey	12x2 m
551 021WS	KKC 1006	100x60	Grey	10x2 m
551 022WS	KKC 1008	100x80	Grey	8x2 m
551 036WS	KKC 1001	100x100	Grey	12x2 m
551 023WS	KKC 1206	120x60	Grey	8x2 m
551 024WS	KKC 1208	120x80	Grey	6x2 m
551 025WS	KKC 1201	120x100	Grey	10x2 m
551 040WS	KKC 1501	150x100	Grey	8x2 m



- Upper scorline is available for breaking off the ribs.
- Lower scorline is available.
- Operating Temperature: -15°C to 60°C
- Standard Length: 2 meters
- Color Option: RAL 7030 Grey
- Complies with RoHS regulations.
- Complies with IEC 60695-2-1 and EN 50085-2-3 standards.
- *Wiring duct covers are included the package.*



Slotted Wiring Ducts

PVC Wiring Ducts Product Range

Wiring Ducts Covers



Order No	Product	Size (mm)	Color	Description	Qty.
551 049	KKK 15	15	Grey	KKK 15 mm Wiring Duct Cover	10x2 m
551 050	KKK 25	25	Grey	KKK 25 mm Wiring Duct Cover	10x2 m
551 051	KKK 40	40	Grey	KKK 40 mm Wiring Duct Cover	10x2 m
551 052	KKK 60	60	Grey	KKK 60 mm Wiring Duct Cover	10x2 m
551 053	KKK 80	80	Grey	KKK 80 mm Wiring Duct Cover	10x2 m
551 054	KKK 100	100	Grey	KKK 100 mm Wiring Duct Cover	10x2 m
551 055	KKK 120	120	Grey	KKK 120 mm Wiring Duct Cover	10x2 m
551 056	KKK 150	150	Grey	KKK 150 mm Wiring Duct Cover	10x2 m

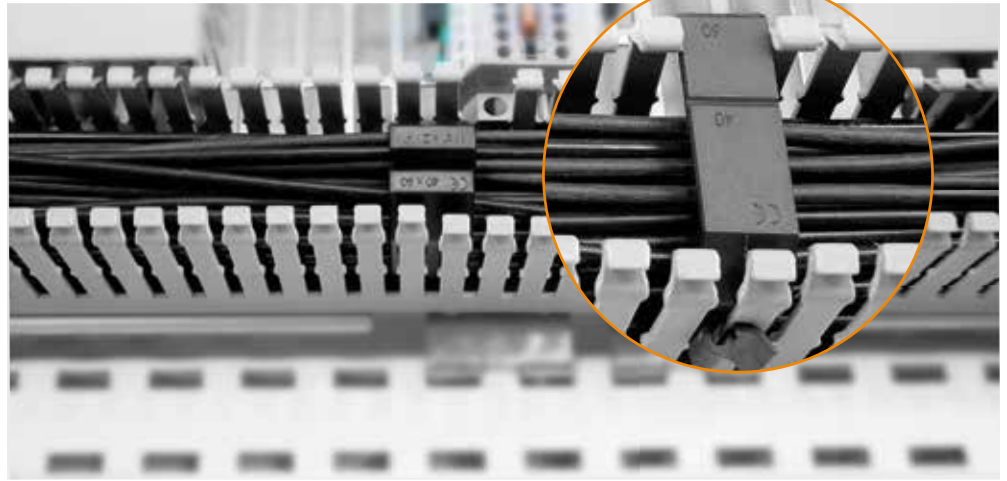


Color			
Color code is the last digit of the order number			
Blue	Black	White	Grey
.....BLBKWBG

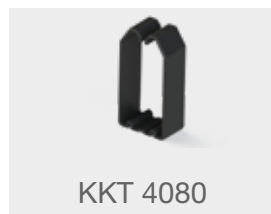
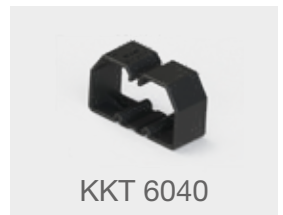
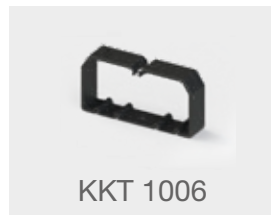
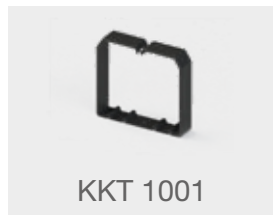
Slotted Wiring Ducts

PVC Wiring Ducts Product Range

Wiring Ducts Accessories



Order No	Product	Color	Description	Qty.
553 315	KKT 4040	Black	Wire Retainer	10
553 325	KKT 4060	Black	Wire Retainer	10
553 335	KKT 6080	Black	Wire Retainer	10
553 345	KKT 4080	Black	Wire Retainer	10
553 355	KKT 6040	Black	Wire Retainer	10
553 365	KKT 6060	Black	Wire Retainer	10
553 375	KKT 6010	Black	Wire Retainer	10
553 385	KKT 8060	Black	Wire Retainer	10
553 395	KKT 1006	Black	Wire Retainer	10
553 425	KKT 1206	Black	Wire Retainer	10
553 435	KKT 8080	Black	Wire Retainer	10
553 445	KKT 8010	Black	Wire Retainer	10
553 455	KKT 1008	Black	Wire Retainer	10
553 465	KKT 1001	Black	Wire Retainer	10
553 475	KKT 1208	Black	Wire Retainer	10
553 485	KKT 1201	Black	Wire Retainer	10
553 500	SETR	-	Setting Tool for Rivets	1
553 600	PPE 6.5	Grey	Rivets	100
553 405	KKB	Black	Cable Clamp	10
553 415	KKM	Black	Cable Holder	10



Slotted Wiring Ducts

PVC Wiring Ducts Product Range

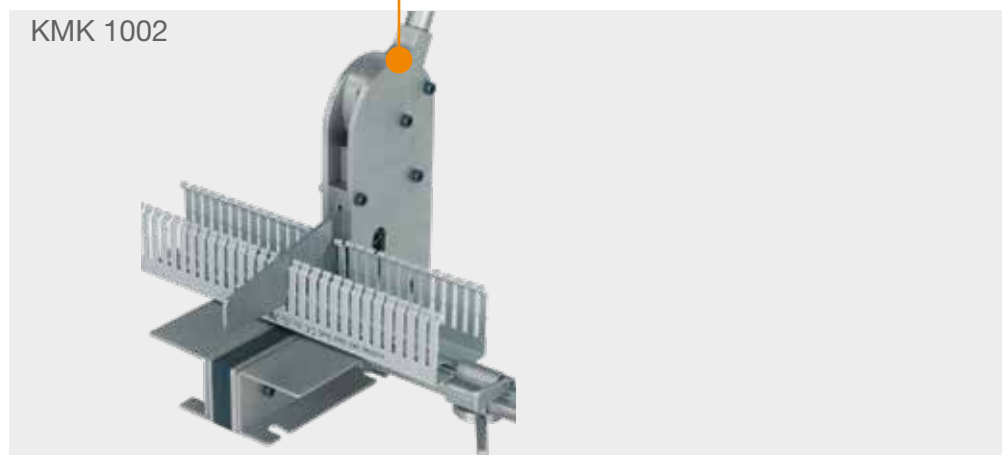
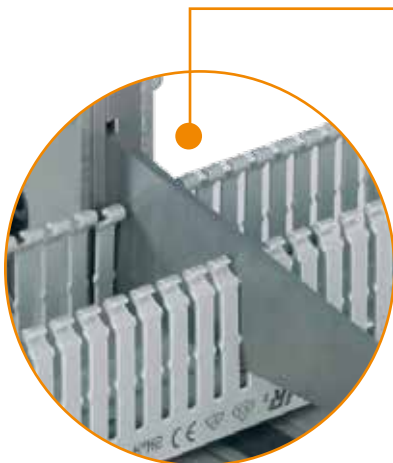
Wiring Duct Cutters



KKMR

Order No	Product	Description	Qty.
553 230	KKMR	Wiring Duct Cutter (Hand Tool)	1

- Burr-free cutting of wiring ducts and wiring duct covers
- Straight or 45° cutting options
- Equal force distribution across blades helps homogenous cutting
- Cutting up to 100 mm width



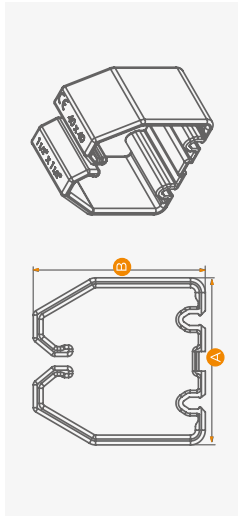
Order No	Product	Description	Qty.
553 220	KMK 1002	Wiring Duct Cutting Tool up to 120 mm	1

- Cover cutting
- Burr-free cutting
- Long-lived knife
- Length adjustment guide
- Cutting up to 120 mm width

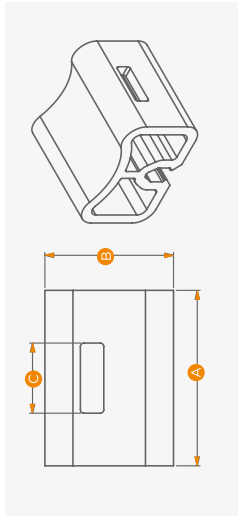
Slotted Wiring Ducts

Technical Specifications

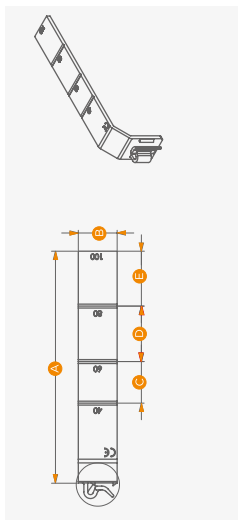
Wire Retainer



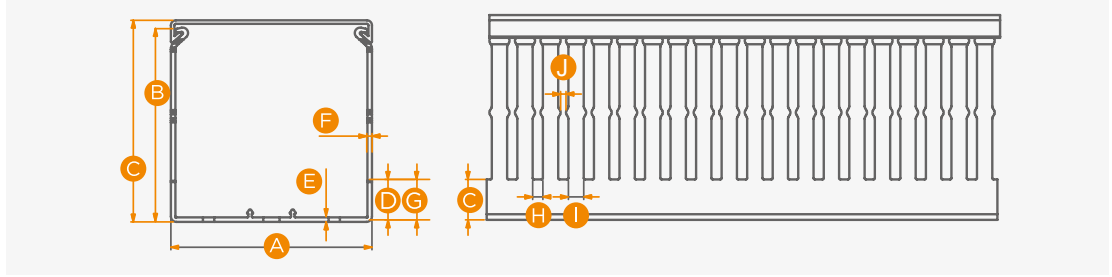
Cable Clamp



Cable Holder



Wiring Duct



Order No	Type	Description	Size (mm)									
			A	B	C	D	E	F	G	H	I	J
551 060	KKC 1518 - Medium	Wiring Duct	15	16,3	18	3,50	1,00	1,00	4,50	5	7,5	2
551 070	KKC 1530 - Medium	Wiring Duct	15	28,3	30	5,00	1,10	1,10	6,10	5	7,5	2
551 080	KKC 1540 - Medium	Wiring Duct	15	38,3	40	9,00	1,20	1,20	10,20	5	7,5	2
551 090	KKC 1560 - Medium	Wiring Duct	15	58,3	60	11,00	1,40	1,40	12,40	5	7,5	2
551 010	KKC 2530 - Narrow	Wiring Duct	25	26,4	30	10,00	1,40	1,40	11,40	4	6	2,1
551 011	KKC 2540 - Narrow	Wiring Duct	25	36,2	40	11,00	1,40	1,40	12,40	4	6	2,1
551 012	KKC 2560 - Narrow	Wiring Duct	25	56,4	60	12,00	1,60	1,60	13,60	4	6	2,1
551 030	KKC 2580 - Narrow	Wiring Duct	25	76,8	80	14,00	1,80	1,80	15,80	4	6	2,1
551 031	KKC 2510 - Narrow	Wiring Duct	25	96,6	100	16,00	1,90	1,90	17,90	4	6	2,1
551 013	KKC 4040 - Narrow	Wiring Duct	40	36,5	40	11,00	1,40	1,40	12,40	4	6	2,1
551 014	KKC 4060 - Narrow	Wiring Duct	40	56,5	60	12,00	1,60	1,60	13,60	4	6	2,1
551 015	KKC 4080 - Narrow	Wiring Duct	40	76,8	80	14,00	1,80	1,80	15,80	4	6	2,1
551 032	KKC 4010 - Narrow	Wiring Duct	40	96,9	100	16,00	1,90	2,00	17,90	4	6	2,1
551 016	KKC 6040 - Narrow	Wiring Duct	60	36,8	40	11,00	1,60	1,60	12,60	4	6	2,1
551 017	KKC 6060 - Narrow	Wiring Duct	60	56,8	60	12,00	1,80	1,80	13,80	4	6	2,1
551 018	KKC 6080 - Narrow	Wiring Duct	60	76,7	80	14,00	1,80	1,80	15,80	4	6	2,1
551 033	KKC 6010 - Narrow	Wiring Duct	60	96,9	100	16,00	2,00	2,00	18,00	4	6	2,1
551 034	KKC 8040 - Narrow	Wiring Duct	80	36,8	40	11,00	1,60	1,60	12,60	4	6	2,1
551 019	KKC 8060 - Narrow	Wiring Duct	80	57,0	60	12,00	1,80	1,80	13,80	4	6	2,1
551 020	KKC 8080 - Narrow	Wiring Duct	80	77,1	80	14,00	1,80	1,80	15,80	4	6	2,1
551 035	KKC 8010 - Narrow	Wiring Duct	80	97,2	100	16,00	2,20	2,20	18,20	4	6	2,1
551 021	KKC 1006 - Narrow	Wiring Duct	100	57,3	60	12,00	2,00	2,00	14,00	4	6	2,1
551 022	KKC 1008 - Narrow	Wiring Duct	100	77,2	80	14,00	2,00	2,00	16,00	4	6	2,1
551 036	KKC 1001 - Narrow	Wiring Duct	100	97,2	100	16,00	2,20	2,30	18,20	4	6	2,1
551 023	KKC 1206 - Narrow	Wiring Duct	120	57,6	60	12,00	2,30	2,00	14,30	4	6	2,1
551 024	KKC 1208 - Narrow	Wiring Duct	120	77,5	80	14,00	2,30	2,00	16,30	4	6	2,1
551 025	KKC 1201 - Narrow	Wiring Duct	120	97,5	100	16,00	2,40	2,40	18,40	4	6	2,1
551 040	KKC 1501 - Narrow	Wiring Duct	150	98,1	100	16,00	2,70	2,70	18,70	4	6	2,1

Slotted Wiring Ducts

Technical Specifications



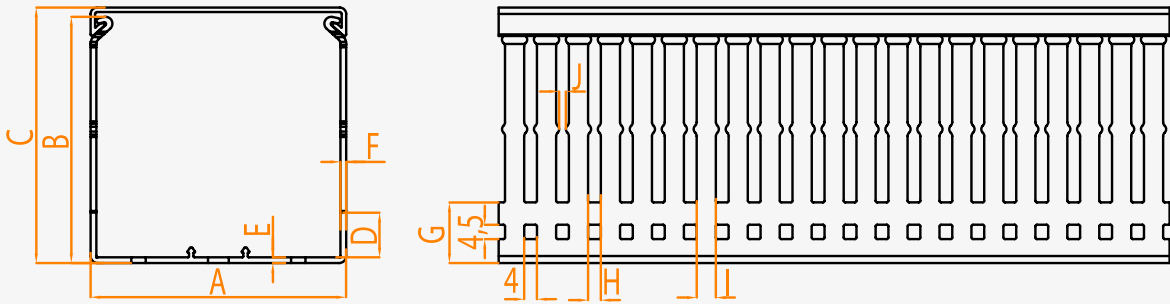
Order No	Type	Description	Size (mm)										
			A	B	C	D	E	F	G	H	I	J	
551 013WS	KKC 4040 - Wide	Wiring Duct											
551 014WS	KKC 4060 - Wide	Wiring Duct	40	56,5	60	12,00	1,60	1,60	13,60	8	12	2,1	
551 015WS	KKC 4080 - Wide	Wiring Duct	40	76,8	80	14,00	1,80	1,80	15,80	8	12	2,1	
551 032WS	KKC 4010 - Wide	Wiring Duct	40	96,9	100	16,00	1,90	2,00	17,90	8	12	2,1	
551 016WS	KKC 6040 - Wide	Wiring Duct											
551 017WS	KKC 6060 - Wide	Wiring Duct	60	56,8	60	12,00	1,80	1,80	13,80	8	12	2,1	
551 018WS	KKC 6080 - Wide	Wiring Duct	60	76,7	80	14,00	1,80	1,80	15,80	8	12	2,1	
551 033WS	KKC 6010 - Wide	Wiring Duct	60	96,9	100	16,00	2,00	2,00	18,00	8	12	2,1	
551 034WS	KKC 8040 - Wide	Wiring Duct											
551 019WS	KKC 8060 - Wide	Wiring Duct	80	57,0	60	12,00	1,80	1,80	13,80	8	12	2,1	
551 020WS	KKC 8080 - Wide	Wiring Duct	80	77,1	80	14,00	1,80	1,80	15,80	8	12	2,1	
551 035WS	KKC 8010 - Wide	Wiring Duct	80	97,2	100	16,00	2,20	2,20	18,20	8	12	2,1	
551 021WS	KKC 1006 - Wide	Wiring Duct	100	57,3	60	12,00	2,00	2,00	14,00	8	12	2,1	
551 022WS	KKC 1008 - Wide	Wiring Duct	100	77,2	80	14,00	2,00	2,00	16,00	8	12	2,1	
551 036WS	KKC 1001 - Wide	Wiring Duct	100	97,2	100	16,00	2,20	2,30	18,20	8	12	2,1	
551 023WS	KKC 1206 - Wide	Wiring Duct	120	57,6	60	12,00	2,30	2,00	14,30	8	12	2,1	
551 024WS	KKC 1208 - Wide	Wiring Duct	120	77,5	80	14,00	2,30	2,00	16,30	8	12	2,1	
551 025WS	KKC 1201 - Wide	Wiring Duct	120	97,5	100	16,00	2,40	2,40	18,40	8	12	2,1	
551 040WS	KKC 1501 - Wide	Wiring Duct	150	98,1	100	16,00	2,70	2,70	18,70	8	12	2,1	



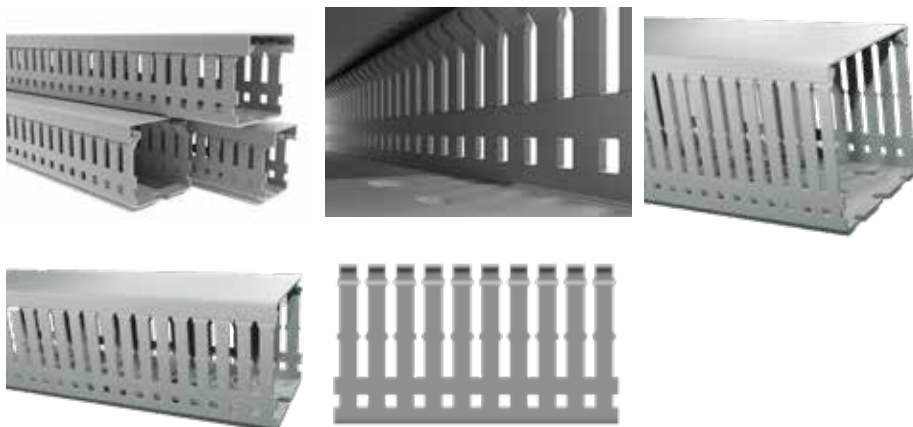
PVC Wiring Duct with Additional Holes (Wide Slotted)

Technical Specifications

Wiring Duct



Order No	Type	Description	Size (mm)										Color	Qty.
			A	B	C	D	E	F	G	H	I	J		
555 2530	KKD 2530 - Narrow	Wiring Duct	25	26,4	30	11,00	1,40	1,40	12,40	4	6	2,10	Grey	50x2 m
555 2540	KKD 2540 - Narrow	Wiring Duct	25	36,2	40	14,60	1,40	1,40	16,00	4	6	2,10	Grey	50x2 m
555 2560	KKD 2560 - Narrow	Wiring Duct	25	56,4	60	14,90	1,60	1,60	16,50	4	6	2,10	Grey	30x2 m
555 2580	KKD 2580 - Narrow	Wiring Duct	25	76,8	80	17,20	1,80	1,80	19,00	4	6	2,10	Grey	28x2 m
555 2510	KKD 2510 - Narrow	Wiring Duct	25	96,6	100	17,20	1,90	1,90	19,10	4	6	2,10	Grey	22x2 m
555 4040	KKD 4040 - Narrow	Wiring Duct	40	36,5	40	14,60	1,40	1,40	16,00	4	6	2,10	Grey	26x2 m
555 4060	KKD 4060 - Narrow	Wiring Duct	40	56,5	60	14,90	1,60	1,60	16,50	4	6	2,10	Grey	18x2 m
555 4080	KKD 4080 - Narrow	Wiring Duct	40	76,8	80	17,20	1,80	1,80	19,00	4	6	2,10	Grey	20x2 m
555 4010	KKD 4010 - Narrow	Wiring Duct	40	96,9	100	17,20	1,90	2,00	19,10	4	6	2,10	Grey	14x2 m
555 6040	KKD 6040 - Narrow	Wiring Duct	60	36,8	40	14,20	1,60	1,60	16,00	4	6	2,10	Grey	18x2 m
555 6060	KKD 6060 - Narrow	Wiring Duct	60	56,8	60	14,70	1,80	1,80	16,50	4	6	2,10	Grey	12x2 m
555 6080	KKD 6080 - Narrow	Wiring Duct	60	76,7	80	17,20	1,80	1,80	19,00	4	6	2,10	Grey	12x2 m
555 6010	KKD 6010 - Narrow	Wiring Duct	60	96,9	100	17,10	2,00	2,00	19,10	4	6	2,10	Grey	18x2 m
555 8040	KKD 8040 - Narrow	Wiring Duct	80	36,8	40	14,20	1,60	1,60	16,00	4	6	2,10	Grey	18x2 m
555 8060	KKD 8060 - Narrow	Wiring Duct	80	57,00	60	14,70	1,80	1,80	16,50	4	6	2,10	Grey	14x2 m
555 8080	KKD 8080 - Narrow	Wiring Duct	80	77,1	80	17,20	1,80	1,80	19,00	4	6	2,10	Grey	10x2 m
555 8010	KKD 8010 - Narrow	Wiring Duct	80	97,2	100	16,90	2,20	2,20	19,10	4	6	2,10	Grey	12x2 m
555 1006	KKD 1006 - Narrow	Wiring Duct	100	57,3	60	14,50	2,00	2,00	16,50	4	6	2,10	Grey	10x2 m
555 1008	KKD 1008 - Narrow	Wiring Duct	100	77,2	80	17,00	2,00	2,00	19,00	4	6	2,10	Grey	8x2 m
555 1001	KKD 1001 - Narrow	Wiring Duct	100	97,2	100	16,90	2,20	2,30	19,10	4	6	2,10	Grey	12x2 m
555 1206	KKD 1206 - Narrow	Wiring Duct	120	57,6	60	14,20	2,30	2,00	16,50	4	6	2,10	Grey	8x2 m
555 1208	KKD 1208 - Narrow	Wiring Duct	120	77,5	80	16,70	2,30	2,00	19,00	4	6	2,10	Grey	6x2 m
555 1201	KKD 1201 - Narrow	Wiring Duct	120	97,5	100	16,70	2,40	2,40	19,10	4	6	2,10	Grey	10x2 m
555 1501	KKD 1501 - Narrow	Wiring Duct	150	98,1	100	16,60	2,70	2,70	19,10	4	6	2,10	Grey	10x2 m



- Can be used with cable tie thanks to additional holes on the sides.
- Flame-retardant, self-extinguishing according to UL94-V0
- Upper scroline is available for breaking off the ribs.
- Lower scroline is available.
- Operating Temperature: -15°C to 60°C
- Standard Length: 2 meters
- Color Option: RAL 7030 Grey
- Complies with RoHS regulations.
- Complies with IEC 60695-2-1 and EN 50085-2-3 standards.

* Wiring duct covers are included the package.

PVC Wiring Duct with Additional Holes (Wide Slotted)

Technical Specifications



Order No	Type	Description	Size (mm)										Color	Qty.
			A	B	C	D	E	F	G	H	I	J		
555 2540WS	KKD 2540 - Wide	Wiring Duct	25	36,2	40	14,6	1,4	1,4	16	8	12	2,1	Grey	50x2 m
555 2560WS	KKD 2560 - Wide	Wiring Duct	25	56,4	60	14,9	1,6	1,6	16,5	8	12	2,1	Grey	30x2 m
555 2580WS	KKD 2580 - Wide	Wiring Duct	25	76,8	80	17,2	1,8	1,8	19	8	12	2,1	Grey	28x2 m
555 2510WS	KKD 2510 - Wide	Wiring Duct	25	96,6	100	17,2	1,9	1,9	19,1	8	12	2,1	Grey	22x2 m
555 4040WS	KKD 4040 - Wide	Wiring Duct	40	36,5	40	14,6	1,4	1,4	16	8	12	2,1	Grey	26x2 m
555 4060WS	KKD 4060 - Wide	Wiring Duct	40	56,5	60	15	1,6	1,6	16,6	8	12	2,1	Grey	50x2 m
555 4080WS	KKD 4080 - Wide	Wiring Duct	40	76,8	80	17,2	1,8	1,8	19	8	12	2,1	Grey	50x2 m
555 4010WS	KKD 4010 - Wide	Wiring Duct	40	96,9	100	17,2	1,9	2	19,1	8	12	2,1	Grey	30x2 m
555 6040WS	KKD 6040 - Wide	Wiring Duct	60	36,8	40	14,2	1,6	1,6	16	8	12	2,1	Grey	18x2 m
555 6060WS	KKD 6060 - Wide	Wiring Duct	60	56,8	60	14,8	1,8	1,8	16,6	8	12	2,1	Grey	28x2 m
555 6080WS	KKD 6080 - Wide	Wiring Duct	60	76,7	80	17,2	1,8	1,8	19	8	12	2,1	Grey	22x2 m
555 6010WS	KKD 6010 - Wide	Wiring Duct	60	96,9	100	17,1	2	2	19,1	8	12	2,1	Grey	26x2 m
555 8040WS	KKD 8040 - Wide	Wiring Duct	80	36,8	40	14,2	1,6	1,6	16	8	12	2,1	Grey	18x2 m
555 8060WS	KKD 8060 - Wide	Wiring Duct	80	57	60	14,8	1,8	1,8	16,6	8	12	2,1	Grey	18x2 m
555 8080WS	KKD 8080 - Wide	Wiring Duct	80	77,1	80	17,2	1,8	1,8	19	8	12	2,1	Grey	20x2 m
555 8010WS	KKD 8010 - Wide	Wiring Duct	80	97,2	100	16,9	2,2	2,2	19,1	8	12	2,1	Grey	14x2 m
555 1006WS	KKD 1006 - Wide	Wiring Duct	100	57,3	60	14,6	2	2	16,6	8	12	2,1	Grey	18x2 m
555 1008WS	KKD 1008 - Wide	Wiring Duct	100	77,2	80	17	2	2	19	8	12	2,1	Grey	12x2 m
555 1001WS	KKD 1001 - Wide	Wiring Duct	100	97,2	100	16,9	2,2	2,3	19,1	8	12	2,1	Grey	12x2 m
555 1206WS	KKD 1206 - Wide	Wiring Duct	120	57,6	60	14,3	2,3	2	16,6	8	12	2,1	Grey	18x2 m
555 1208WS	KKD 1208 - Wide	Wiring Duct	120	77,5	80	16,7	2,3	2	19	8	12	2,1	Grey	18x2 m
555 1201WS	KKD 1201 - Wide	Wiring Duct	120	97,5	100	16,7	2,4	2,4	19,1	8	12	2,1	Grey	14x2 m
555 1501WS	KKD 1501 - Wide	Wiring Duct	150	98,1	100	16,6	2,7	2,7	19,1	8	12	2,1	Grey	10x2 m

Color			
Color code is the last digit of the order number			
Blue	Black	White	Grey
.....BLBKWBG

Electronic Products

Time Relays Series

Klemsan new Z1x series time relays offer optimum solutions in various industrial applications with different function options and with 12-240 V AC/DC (universal input) wide supply range.

It is suitable for use in narrow panels with its new body design under the DIN norm.

In addition to single-function devices, there are up to 10 function options that can be controlled via trigger input, based on the model. Time settings can be made easily with the trimpots on the device between 0.1 sec to 10 days.

Special functional relays such as star-delta, left-right, etc are also available in the product portfolio.

- 12-240 V AC/DC universal supply range
- 18 mm enclosure design under DIN Norm and design under IEC 61812-1 standard
- Support for up to 10 functions based on model
- 0.1sec – 10 days wide time range
- Power-off delay function adjustable for up to 2 hours
- Relay output (10A)
- High mechanical endurance
- Function control via trigger input
- LED notifications



TIME RELAYS SERIES

Product Name	Order No	Definition	Trigger Input	On Delay (ND)	Off Delay (FD)	Power Off Delay (PFD)	Off Flasher (FDF)	On Flasher (NDF)	On - Off Delay (NFD)	On Delay with Trigger (yND)	Off Delay with Trigger (yFD)	On and Off Delay with Trigger (yNF)	Pulse Delayed with Control Signal (yN)	Pulse Output with Control Signal (yP)	Additive on Delay (yNA)	On Delay with Maintained Control Signal (yMN)	Off Delay with Maintained Control Signal (yMF)	Interval with Control Signal On (yIR)	Interval with Control Signal Off (yIF)	Star Delta (SD)	Left - Right (LR)	Relay Qty	Time Adjustment	12..240 VAC/DC	24..240 VAC/DC	150..500 V AC
Z1A-ND30s	261025	Timer Relay		✓																		10/0	1 sec .. 30 sec		✓	
Z1A-ND100s	261023	Timer Relay		✓																		10/0	1 sec .. 100 sec		✓	
Z1T-ND100s	261010	Timer Relay (Sensitive)		✓																		10/0	1 sec .. 100 sec	✓		
Z1T-PFD120m-24	261011	Power Off Delay				✓																10/0	1sec .. 120min		✓	
Z1T-FDF	261013	Timer Relay					✓															10/0	0.1 sec .. 10 day	✓		
Z1T-NDF	261014	Timer Relay						✓														10/0	0.1 sec .. 10 day	✓		
Z1T-ND100s.2	261026	Timer Relay		✓																		20/0	1 sec .. 100 sec	✓		
Z1T-M2	261015	Multi-Func Time Relay		✓	✓																	10/0	0.1 sec .. 99.9 saat	✓		
Z1K-M2A	261016	Multi-Func Time Relay	✓						✓	✓												10/0	0.1 sec .. 99.9 saat	✓		
Z1T-M4	261017	Multi-Func Time Relay		✓	✓		✓	✓														10/0	1 sec .. 10 day	✓		
Z1T-M5	261018	Multi-Func Time Relay		✓	✓		✓	✓	✓													10/0	1 sec .. 10 day	✓		
Z1K-M10	261019	Multi-Func Time Relay	✓	✓	✓		✓				✓		✓	✓	✓	✓	✓	✓	✓			10/0	0.1 sec .. 10 day	✓		
Z1K-M10A	261024	Multi-Func Time Relay	✓	✓	✓		✓				✓	✓	✓	✓	✓	✓	✓	✓	✓			10/0	0.1 sec .. 10 day	✓		
Z1T-LR.2	261020	Left-Right Timer																			✓	20/0	0.1 sec .. 10 day	✓		
Z1T-SD	261021	Star-Delta Timer Relay																			✓	20/0	0.1 sec .. 30 sec, 20 .. 500msec	✓		
Z1T-SD-500	261022	Star-Delta Timer Relay																			✓	20/0	0.1 sec .. 30 sec, 20 .. 500msec			✓

NOTE: See product manuals for function descriptions.

Electronic Products

Protection & Monitoring Relays Series

Klemsan protection and monitoring relays in new enclosures under the DIN norm, are designed to protect your system against problems caused by voltage, frequency, and temperature in single-phase and three-phase electrical systems.

In addition to fixed protection models that do not require any adjustments, some products allow asymmetry, voltage protection, protection parameter selection, and time setting adjustment over trimpots on the device

- System errors can be monitored thanks to the LED notifications that indicate errors.
- Product design under TS EN 60255 standard,
- 18mm thin product body under DIN standard,
- TRMS measurement,
- Red LED indicators for error notification,
- Orange LED indicator for relay status,
- Adjustable pots for time and limit values,
- 5A SPDT relay output,
- Optionally Asymmetry, Phase Sequence, Absence of Phase, High - Low Voltage, High - Low Frequency, PTC, Neutral break protection,
- Liquid level and light intensity monitoring functions
- Star, delta, and single-phase connection options,
- High precision and high mechanical durability.



FIXED PRODUCTION RELAYS

Product Name	Order No	Definition	3P4W	3P3W	Phase-Loss Protection	Phase Sequence Protection	Asymmetry Protection	PTC Input	1 C/O	1 NO	85-300 VAC (VLN)	180-265 VAC (VLN)	145-520 VAC (VLL)
FP1Y-ASF 230	270271	Motor Protection Relay	✓		✓	✓	0,2		✓		✓		
FP1D-ASF 400	270272	Motor Protection Relay		✓	✓	✓	0,2		✓			✓	
FP1Y-ASF8 230	270273	Motor Protection Relay	✓		✓	✓	0,4		✓				
FP1Y-ASF8.3 230	270274	Motor Protection Relay	✓		✓	✓	0,4			✓			
FP1Y-AF 230	270275	Motor Protection Relay	✓		✓		0,2		✓		✓		
FP1Y-SF 230	270276	Motor Protection Relay	✓		✓	✓			✓		✓		
FP1Y-SFP 230	270284	Motor Protection Relay	✓		✓	✓		✓	✓		✓		
FP1D-SFP 400	270285	Motor Protection Relay		✓	✓	✓		✓	✓			✓	
FP1YA-ASF8 230	270300	Motor Protection Relay	✓		✓	✓	0,2		✓				✓
FP1YA-ASF8.3 230	270301	Motor Protection Relay	✓		✓	✓	0,2		✓				✓
FP1D-SF 400	270302	Motor Protection Relay		✓	✓	✓			✓			✓	

ADJUSTABLE PROTECTION RELAYS

Product Name	Order No	Definition	3P4W	3P3W	Phase-Loss Protection	Phase Sequence Protection	Asymmetry Protection	Low Voltage Protection	High Voltage Protection	Low - High Voltage Protection (Same Trimpot)	Neutral Loss Protection	Nominal Voltage (Un)	PTC Input	Adjustable On Delay	Adjustable Off Delay	1 C/O	75-250 VAC (VLN)	85-300 VAC (VLN)	130-430 VAC (VLL)	145-520 VAC (VLL)
P1Y-ASF 230	270277	Motor Protection Relay	✓		✓	✓	±(5-30%)/Off					230V			0.1-10 sec	✓		✓		
P1D-ASF 400	270278	Motor Protection Relay		✓	✓	✓	±(5-30%)/Off					400V			0.1-10 sec	✓				✓
P1Y-M1WASFN 170-280	270282	Motor Protection Relay	✓		✓	✓	±(5-30%)/Off			±(5-30%)/Off	✓	170-280V			0.1-10 sec	✓		✓		
P1D-M1WASF 295-480	270283	Motor Protection Relay		✓	✓	✓	±(5-30%)/Off			±(5-30%)/Off		295-480V			0.1-10 sec	✓				✓
P1Y-M2WSP 170-280	270286	Motor Protection Relay	✓		✓		(-5-30%)/Off	(+5-30%)/Off				170-280V	✓		0.1-10 sec	✓		✓		
P1D-M2WSP 295-480	270287	Motor Protection Relay		✓	✓	✓	(-5-30%)/Off	(+5-30%)/Off				295-480V	✓		0.1-10 sec	✓				✓
P1Y-M1WASFN 100-200	270288	Motor Protection Relay	✓		✓	✓	±(5-30%)/Off			±(5-30%)/Off	✓	100-200V			0.1-10 sec	✓	✓			
P1D-M1WASF 175-345	270289	Motor Protection Relay		✓	✓	✓	±(5-30%)/Off			±(5-30%)/Off		175-345V			0.1-10 sec	✓				✓
P1Y-M2WSP 100-200	270290	Motor Protection Relay	✓		✓	✓	(-5-30%)/Off	(+5-30%)/Off				100-200V	✓		0.1-10 sec	✓	✓			
P1D-M2WSP 175-345	270291	Motor Protection Relay		✓	✓	✓	(-5-30%)/Off	(+5-30%)/Off				175-345V	✓		0.1-10 sec	✓				✓
FP1D-SF 400	270302	Motor Protection Relay		✓	✓	✓			✓			✓								

Electronic Products

Protection & Monitoring Relays Series

VOLTAGE MONITORING RELAYS

Product Name	Order No	Definition	1P2W	3P4W	3P3W	Phase-Loss Protection	Phase Sequence Protection	Low Voltage Protection	High Voltage Protection	Low - High Voltage Protection (Same Trippot)	Neutral Loss Protection	Nominal Voltage (Un)	Adjustable On Delay	Adjustable Off Delay	1 C/O	75-250 VAC (VLN)	85-300 VAC (VLN)	130-430 VAC (VLL)	145-520 VAC (VLL)
V1Y-WFN 230	270279	Voltage Monitoring Relay		√		√		150-210V	240-300V		√	230V	0.1-10 sec	0.1-10 sec	√	√			
V1Y-WS 300	270280	Voltage Monitoring Relay		√		√	√	150-210V	240-300V			230V	0.1-10 sec	0.1-10 sec	√				√
V1D-WS 520	270281	Voltage Monitoring Relay			√	√	√	260-360V	415-520V			400V	0.1-10 sec	0.1-10 sec	√		√		
V1Y-WUN 120-480	270292	Voltage Monitoring Relay		√		√				±(5-30%)/0off	√	120-277V	2 sec	0.1-15 sec	√				√
V1Y-WUN.9 120-480	270293	Voltage Monitoring Relay		√		√				±(5-30%)/0off	√	120-277V	2 sec	0.1-15 mins	√		√		
V1U-M2W 230	270295	Voltage Monitoring Relay	√			√		(90-115%)Un	(80-130%)Un			230V	0.1-10 sec	0.1-10 sec	√				√
V1U-M2W 120	270296	Voltage Monitoring Relay	√			√		(75-115%)Un	(80-130%)Un			120V	0.1-10 sec	0.1-10 sec	√	√			

SPECIAL FUNCTIONAL MONITORING RELAYS

Product Name	Order No	Definition	PTC Monitoring	Frequency Monitoring Range	Frequency Monitoring Voltage	Light Intensity Monitoring Range	Liquid Level Sensitivity Range	Liquid Level Probe Qty	Adjustable On Delay	Adjustable Off Delay	1 C/O	24-265 VAC/DC (VLN)	115VAC & 230VAC
K1F-WL6 50/60	270294	Frequency Monitoring		45-65Hz	85-300VLN					0.1-10 sec	√	√	
FK1T-P 24-265	270297	Temperature Monitoring	√								√	√	
K1TW-D7 20K	270298	Light Intensity				1-20 lux				0.1-10 sec	√	√	
K2LC-D2 115-230	270299	Liquid Level Monitoring					1-75kohm	6	0.1-10 sec	0.1-10 sec	√		√

Electronic Products

Industrial Relays - KRG Power Relays

We have different types of industrial relays, each with their own unique features and applications. When selecting an industrial relay for your project, it's crucial to choose one that matches your device's power requirements and has the right number of channels for controlling the desired devices. Reliable products, the right choice at an affordable price.

- All series are designed for universal use.
- Sockets can be used with different clips optionally.
- May include test buttons, diodes, and LED status indicators as needed.



KRG POWER RELAYS

Product Name	Order Number	Description	Input Ampere	Input Voltage	VAC	VDC	1 Pole	2 Poles	3 Poles	4 Poles	LED	Test Button	Diode
KRG100012	820285	Power Relay	12A	12		✓	✓				×	×	×
KRG100024	820286	Power Relay	12A	24		✓	✓				×	×	×
KRG100048	820288	Power Relay	12A	48		✓	✓				×	×	×
KRG200012	820296	Power Relay	8A	12		✓		✓			×	×	×
KRG200024	820297	Power Relay	8A	24		✓		✓			×	×	×
KRG200048	820299	Power Relay	8A	48		✓		✓			×	×	×
KRB1CO	820273	Relay Socket	12A	-	-	-	-	-	-	-	-	-	-
KRC1CO	820275	Relay Socket	12A	-	-	-	-	-	-	-	-	-	-
KRB2CO	820274	Relay Socket	10A	-	-	-	-	-	-	-	-	-	-
KRC2CO	820276	Relay Socket	10A	-	-	-	-	-	-	-	-	-	-
CLP/KRB-C-15L	820277	Plastic Clips	-	-	-	-	-	-	-	-	-	-	-

Industrial Relays - KRM Power Relays



KRM POWER RELAYS

Product Name	Order Number	Description	Input Ampere	Input Voltage	VAC	VDC	1 Pole	2 Poles	3 Poles	4 Poles	LED	Test Button	Diode
KRM200012LT	820101	Industrial Relay	12A	12		✓		✓			✓	✓	×
KRM200048LT	820103	Industrial Relay	12A	48		✓		✓			✓	✓	×
KRM200110LT	820104	Industrial Relay	12A	110		✓		✓			✓	✓	×
KRM200524LT	820107	Industrial Relay	12A	24	✓			✓			✓	✓	×
KRM200615LT	820109	Industrial Relay	12A	115	✓			✓			✓	✓	×
KRM400048LT	820113	Industrial Relay	6A	48		✓				✓	✓	✓	×
KRM400110LT	820114	Industrial Relay	6A	110		✓				✓	✓	✓	×
KRM400615LT	820119	Industrial Relay	6A	115	✓					✓	✓	✓	×
KS 2CO ECO	820070	Relay Socket	12A	-	-	-	-	-	-	-	-	-	-
KS 4CO ECO	820071	Relay Socket	10A	-	-	-	-	-	-	-	-	-	-
KS 4CO	820171	Relay Socket	10A	-	-	-	-	-	-	-	-	-	-
KS-C 4CO	820347	Relay Socket	10A	-	-	-	-	-	-	-	-	-	-
LB/KS-ECO	820350	ID Tag	-	-	-	-	-	-	-	-	-	-	-

Electronic Products

Industrial Relays - KRI Power Relays



KRI POWER RELAYS

Product Name	Order Number	Description	Input Ampere	Input Voltage	VAC	VDC	1 Pole	2 Poles	3 Poles	4 Poles	LED	Test Button	Diode
KRI100012	820312	Interface Relay	12A	12		√	√				×	×	×
KRI100024	820314	Interface Relay	12A	24		√	√				×	×	×
KRI100524	820315	Interface Relay	12A	24	√		√				×	×	×
KRI100615	820320	Interface Relay	12A	115	√		√				×	×	×
KRI100730	820321	Interface Relay	12A	230	√		√				×	×	×
KRI100012LT	820201	Interface Relay	12A	12		√	√				√	√	×
KRI100524LT	820206	Interface Relay	12A	24	√		√				√	√	×
KRI100615LT	820208	Interface Relay	12A	115	√		√				√	√	×
KRI200524	820333	Interface Relay	8A	24	√			√			×	×	×
KRI200615	820338	Interface Relay	8A	115	√			√			×	×	×
KRI1CO	820171	Relay Socket	16A	-	-	-	-	-	-	-	-	-	-
KRU1CO	820347	Relay Socket	16A	-	-	-	-	-	-	-	-	-	-
CLP/KRI	820350	Plastic Clips	-	-	-	-	-	-	-	-	-	-	-

Industrial Relays - KRB Power Relays



KRB POWER RELAYS

Product Name	Order Number	Description	Input Ampere	Input Voltage	VAC	VDC	1 Pole	2 Poles	3 Poles	4 Poles	LED	Test Button	Diode
KRB300012LT	820230	Industrial Relay	10A	12		√			√		√	√	×
KRB300024LT	820231	Industrial Relay	10A	24		√			√		√	√	×
KRB300048LT	820233	Industrial Relay	10A	48		√			√		√	√	×
KRB300110LT	820234	Industrial Relay	10A	110		√			√		√	√	×
KRB300524LT	820232	Industrial Relay	10A	24	√				√		√	√	×
KRB300615LT	820235	Industrial Relay	10A	115	√				√		√	√	×
KRB300730LT	820236	Industrial Relay	10A	230	√				√		√	√	×
KS-R 3CO	820220	Relay Socket	12A	-	-	-	-	-	-	-	-	-	-
CLM/KS-R	820221	Metal Clips	-	-	-	-	-	-	-	-	-	-	-
LB/KS-R	820222	ID Tag	-	-	-	-	-	-	-	-	-	-	-

Electronic Products

Industrial Relays - KMY Power Relays



KMY POWER RELAYS

Product Name	Order Number	Description	Input Ampere	Input Voltage	VAC	VDC	1 Pole	2 Poles	3 Poles	4 Poles	LED	Test Button	Diode
KMY200024	820377	Industrial Relay	10A	24		√		√			×	×	×
KMY200048	820381	Industrial Relay	10A	48		√		√			×	×	×
KMY200110	820383	Industrial Relay	10A	110		√		√			×	×	×
KMY200220	820385	Industrial Relay	10A	220		√		√			×	×	×
KMY200524	820378	Industrial Relay	10A	24	√			√			×	×	×
KMY200615	820384	Industrial Relay	10A	115	√			√			×	×	×
KMY200730	820386	Industrial Relay	10A	230	√			√			×	×	×
KMY200012LT	820001	Industrial Relay	10A	12		√		√			√	√	×
KMY200024LTD	820006	Industrial Relay	10A	24		√		√			√	√	√
KMY200048LT	820003	Industrial Relay	10A	48		√		√			√	√	×
KMY200110LT	820004	Industrial Relay	10A	110		√		√			√	√	×
KMY200524LT	820007	Industrial Relay	10A	24	√			√			√	√	×
KMY200615LT	820009	Industrial Relay	10A	115	√			√			√	√	×
KMY200730LT	820010	Industrial Relay	10A	230	√			√			√	√	×
KMY400024	820400	Industrial Relay	5A	24		√				√	×	×	×
KMY400048	820404	Industrial Relay	5A	48		√				√	×	×	×
KMY400110	820406	Industrial Relay	5A	110		√				√	×	×	×
KMY400524	820401	Industrial Relay	5A	24	√					√	×	×	×
KMY400615	820407	Industrial Relay	5A	115	√					√	×	×	×
KMY400730	820409	Industrial Relay	5A	230	√					√	×	×	×
KMY400024LTD	820016	Industrial Relay	5A	24		√				√	√	√	√
KMY400048LT	820013	Industrial Relay	5A	48		√				√	√	√	×
KMY400110LT	820014	Industrial Relay	5A	110		√				√	√	√	×
KMY400615LT	820019	Industrial Relay	5A	115	√					√	√	√	×
KMY400730LT	820020	Industrial Relay	5A	230	√					√	√	√	×
KS 2CO ECO	820070	Relay Socket	12A	-	-	-	-	-	-	-	-	-	-
KS 4CO ECO	820071	Relay Socket	10A	-	-	-	-	-	-	-	-	-	-
KS 4CO	820171	Relay Socket	10A	-	-	-	-	-	-	-	-	-	-
KS-C 4CO	820347	Relay Socket	10A	-	-	-	-	-	-	-	-	-	-
LB/KS-ECO	820350	ID Tag	-	-	-	-	-	-	-	-	-	-	-

Test Plugs and Sockets



TF



TSK 1



TSK 3



TSK 4



TSK 6



TSK 7



TSK 8



TSK 9



TSK 10



TSK 11

Order No	Product	Terminals used
493 020	TF (Q2)	AVK 2.5; PIK 2.5 N; PIK 2.5 NK; PIK 2.5 ND; PIK 2.5 NLD; PIK 4N; PIK 4 NK; PIK 4 ND; PIK 4 NLD
493 023	TF (2.3)	AVK 2.5; AVK 4; AVK 6; AVK 10; PIK 2.5 N; PIK 4 NK; PIK 2.5 ND; PIK 2.5 NLD; PIK 4N; PIK 4 NK; PIK 4 ND; PIK 4 NLD
490 010	TSK 1 (Q2)	AVK 2.5; PIK 2.5 N; PIK 2.5 NK; PIK 2.5 ND; PIK 2.5 NLD; PIK 4N; PIK 4 NK; PIK 4 ND; PIK 4 NLD
490 030	TSK 3 (Q2.3)	AVK 2.5; PIK 2.5 N; PIK 2.5 NK; PIK 2.5 ND; PIK 2.5 NLD; PIK 4 N; PIK 4 NK; PIK 4 ND; PIK 4 NLD; PUK 3; PUK 2T; PUK 3T; PUK 3 S; PUK 3 SLD (NPN); PUK 3 SLD (PNP)
493 040	TF (Q4)	AVK 4; AVK 6; AVK 10; AVK 16; AVK 16 RD; AVK 35 RD; AVK 35 IRD; WGO 1; WGO 2N; WGO 2 IR; WGO 3; WGL 1; WGO PB 6; WGO Y6; WGO YD6; WGO PBD 6
490 040	TSK 4 (Q2.3)	AVK 4; AVK 6; AVK 10
490 070	TSK 7 (Q4)	AVK 4; AVK 6; AVK 10
490 080	TSK 8 (Q4)	AVK 16
490 090	TSK 9 (Q4)	AVK 16 RD; AVK 35 RD; AVK 35 RDS; AVK 35 IRDS
490 100	TSK 10	WGO 1; WGO 3; WGL 1; WGO Y6; WGO YD6; WGO 2N

Socket Group 1 (Without Isolation)		
Group 1	Suitable Terminal Blocks	WGO 1 - WGL 1 - WGO 3 - WGO 2N
	Component Stock Code	Component Name
	5.1.1.0.006213	UKK 6x11,8
	3.0.3.4.000314	SCREW M3x17



Test Socket Group 2 (With Isolation)		
Group 2	Suitable Terminal Blocks	WGO 1 - WGL 1 - WGO 3 - WGO 2N
	Color Options	Orange (Standart) - Blue - Green - Yellow - Violet
	Component Stock Code	Component Name
	0.0.0.4.90100	TSK 10 ORANGE
	5.1.1.0.006213	UKK 6x11,8



Test Socket Group 3 (With Isolation)		
Group 3	Suitable Terminal Blocks	WGO4
	Color Options	Orange (Standart) - Blue - Green - Yellow - Violet - Red - Black
	Component Stock Code	Component Name
	0.0.0.4.90110	TSK 11 ORANGE

Cable Ties

Natural : Made from U.L. approved polyamide 66.
 Flammability rating : UL 94 V-2
 Normal service temperature range : - 40° C to 85° C.

Black : Material and temperature as above, except in black color.
 Specification : Made to comply with mil-spec drawing no. MS-3667
 tensile strength meet or exceed MIL-S-23190 D standart.

B or S codes at the end of each cat. number indicate the color of the cable-tie.
 Please contact for any requirements apart from the list.

B : White
 S : Black
 UV: Ultra Viole



Type	Order No	Eco	UV	Width (mm)	Length (mm)	Max. Bundle Dia. (mm)	Max. Tensite Strength (KGs)	Qty.
YKB 75	532075B			2,4	75	15	8	1000
YKB 75	532075S			2,4	75	15	8	1000
YKB 94	532094B	532094BE		2,5	94	25	8	1000
YKB 94	532094S	532094SE	532094SUV	2,5	94	25	8	1000
YKB 100	532100B	532100BE		2,5	100	25	8	1000
YKB 100	532100S	532100SE	532100SUV	2,5	100	25	8	1000
YKB 142	532142B	532142BE		2,5	142	35	8	1000
YKB 142	532142S	532142SE	532142SUV	2,5	142	35	8	1000
YKB 203	532203B	532203BE		2,5	203	55	8	1000
YKB 203	532203S	532203SE	532203SUV	2,5	203	55	8	1000
YKB 150	533150B	533150BE		3,6	150	39	18	1000
YKB 150	533150S	533150SE	533150SUV	3,6	150	39	18	1000
YKB 203	533203B			3,6	203	55	18	1000
YKB 203	533203S			3,6	203	55	18	1000
YKB 250	533250B	533250BE		3,6	250	74	18	1000
YKB 250	533250S	533250SE	533250SUV	3,6	250	74	18	1000
YKB 292	533292B	533292BE		3,6	292	85	18	1000
YKB 292	533292S	533292SE	533292SUV	3,6	292	85	18	1000
YKB 368	533368B	533368BE		3,6	368	102	18	1000
YKB 368	533368S	533368SE	533368SUV	3,6	368	102	18	1000
YKB 350	534350B			4,6	350	95	22	1000
YKB 350	534350S			4,6	350	95	22	1000
YKB 400	534400B			4,6	400	120	22	1000
YKB 400	534400S			4,6	400	120	22	1000
YKB 120	534120B	534120BE		4,8	120	30	22	1000
YKB 120	534120S	534120SE	534120SUV	4,8	120	30	22	1000
YKB 190	534190B	534190BE		4,8	190	52	22	1000
YKB 190	534190S	534190SE	534190SUV	4,8	190	52	22	1000
YKB 203	534203B	534203BE		4,8	203	55	22	1000
YKB 203	534203S	534203SE	534203SUV	4,8	203	55	22	1000

Type	Order No	Eco	UV	Width (mm)	Length (mm)	Max. Bundle Dia. (mm)	Max. Tensite Strength (KGs)	Qty.
YKB 250	534250B			4,8	250	74	22	1000
YKB 250	534250S			4,8	250	74	22	1000
YKB 300	534300B			4,8	300	88	22	1000
YKB 300	534300S			4,8	300	88	22	1000
YKB 368	534368B	534368BE		4,8	368	102	22	100
YKB 368	534368S	534368SE	534368SUV	4,8	368	102	22	100
YKB 432	534432B			4,8	432	125	22	100
YKB 432	534432S			4,8	432	125	22	100
YKB 500	534500B			4,8	500	170	22	100
YKB 500	534500S			4,8	500	170	22	100
YKB 610	534610B			4,8	610	200	22	100
YKB 610	534610S			4,8	610	200	22	100
YKB 730	534730B			4,8	730	225	22	100
YKB 730	534730S			4,8	730	225	22	100
YKB 280	537280B			7,6	280	82	55	500
YKB 280	537280S			7,6	280	82	55	500
YKB 300	537300B	537300BE		7,6	300	88	55	500
YKB 300	537300S	537300SE	537300SUV	7,6	300	88	55	500
YKB 340	537340B			7,6	340	98	55	500
YKB 340	537340S			7,6	340	98	55	500
YKB 380	537380B	537380BE		7,6	380	110	55	500
YKB 380	537380S	537380SE	537380SUV	7,6	380	110	55	500
YKB 610	537610B			7,6	610	200	55	100
YKB 610	537610S			7,6	610	200	55	100
YKB 750	537750B			7,6	750	230	55	100
YKB 750	537750S			7,6	750	230	55	100
YKB 450	538450B	538450BE		36739	450	133	80	100
YKB 450	538450S	538450SE	538450SUV	36739	450	133	80	100
YKB 550	538550B			8	550	150	80	100
YKB 550	538550S			8	550	150	80	100
YKB 762	539762B	539762BE		9	762	236	80	100
YKB 762	539762S	539762SE	539762SUV	9	762	236	80	100
YKB 914	539914B			9	914	283	80	100
YKB 914	539914S			9	914	283	80	100
YKB 1219	531219B			9	1219	370	80	100
YKB 1219	531219S			9	1219	370	80	100
YKB 730	531730B			12,7	730	225	130	100
YKB 730	531730S			12,7	730	225	130	100
YKB 1030	531030B			12,7	1030	317	130	100
YKB 1030	531030S			12,7	1030	317	130	100

Self-Adhesive Tie Mounts

Material : UL Approved Polyamide 66, UL 94V-2. (Backed with adhesive tape)

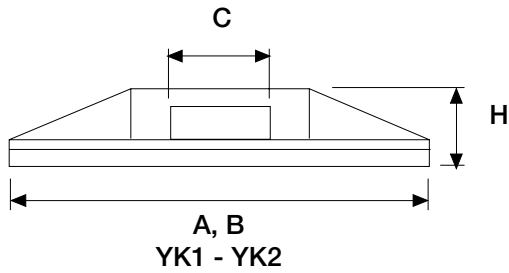
Self-adhesive tie mounts are designed to support light weight wire bundles when properly applied on any clean, smooth, grease-free surface. For heavy support, mounting hole is provided for screws.

Installation : To apply, simply peel off backing paper and apply mount to surface. After that, cable ties can be inserted to secure wire bundles.

To apply with the cable ties :

YK 1 : Up to 4.7 mm. wide cable ties. B : White

YK 2 : Up to 5 mm. wide cable ties. S : Black

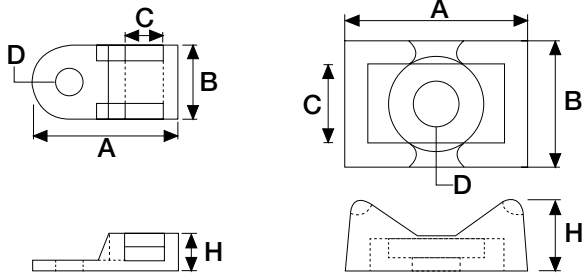


Type	Order No	Dimensions (mm)				Qty.
		A	B	C	H	
YK 1	541 210 B	21	21	4,4	5	500
YK 1	541 210 S	21	21	4,4	5	500
YK 2	541 280 B	28	28	6,5	5,8	500
YK 2	541 280 S	28	28	6,5	5,8	500

Saddle Type Tie Mounts

Material : UL Approved Polyamide 66, UL 94V-2.
Saddle design provides maximum stability to wire bundles. To apply, simply fix mount with a screw and secure wire bundles with the cable ties.

To apply with the cable ties :
VK 1 : Up to 5 mm. wide cable ties.

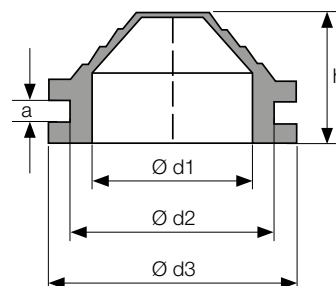


Type	Order No	Dimensions (mm)					Qty.
		A	B	H	D Ø	C	
VK 1	542 110 B	19	9,5	5	3,4	5	500
VK 1	542 110 S	19	9,5	5	3,4	5	500
VK 2	542 120 B	23	16	9	6	9	500
VK 2	542 120 S	23	16	9	6	9	500

Rubber Glands



Type	Order No	Dimensions (mm)				Qty.
		d1	d2	d3	H	
RR 11	630 110	10	16	22	13	100
RR 13,5	630 135	14	21	27	17,5	100
RR 16	630 160	17	23,5	29,5	17,5	100
RR 21	630 210	23	29	35	18,5	100
RR 29	630 290	29,5	38	44	21,5	100
RR 36	630 360	39,5	49	55	24,5	50
RR 42	630 420	49,5	59	66	30	50

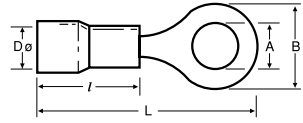


Insulated Terminals



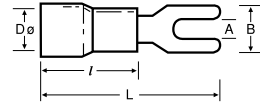
Insulated Terminals are made of E-Cu with tin - plating.
Insulation parts are made of PVC.

Insulated Terminals / Ringtype



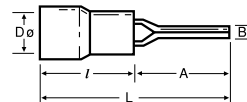
Order No	Type	Cross-Sec. (mm ²)	A	B	DØ	L	l	Qty.
590 010	KYK - 301	0,5 - 1,5	3,2	5,5 ±0,2	4,3 ±0,3	17,5 ±1,0	10 ±0,5	100
590 011	KYK - 351	0,5 - 1,5	3,8	6,6 ±0,2	4,3 ±0,3	19,4 ±1,0	10 ±0,5	100
590 012	KYK - 401	0,5 - 1,5	4,4	6,6 ±0,2	4,3 ±0,3	19,6 ±1,0	10 ±0,5	100
590 013	KYK - 501	0,5 - 1,5	5,4	8,0 ±0,2	4,3 ±0,3	20,8 ±1,0	10 ±0,5	100
590 014	KYK - 601	0,5 - 1,5	6,5	11,9 ±0,2	4,3 ±0,3	27,0 ±1,0	10 ±0,5	100
590 015	KYK - 801	0,5 - 1,5	8,5	11,8 ±0,2	4,3 ±0,3	26,7 ±1,0	10 ±0,5	100
590 020	KYK - 302	1,5 - 2,5	3,4	6,6 ±0,2	4,8 ±0,3	17,8 ±1,0	10 ±0,5	100
590 021	KYK - 402	1,5 - 2,5	4,4	8,5 ±0,2	4,8 ±0,3	22,0 ±1,0	10 ±0,5	100
590 022	KYK - 502	1,5 - 2,5	5,4	9,6 ±0,2	4,8 ±0,3	21,8 ±1,0	10 ±0,5	100
590 023	KYK - 602	1,5 - 2,5	6,4	12 ±0,2	4,8 ±0,3	27,0 ±1,0	10 ±0,5	100
590 024	KYK - 802	1,5 - 2,5	8,5	12 ±0,2	4,8 ±0,3	27,0 ±1,0	10 ±0,5	100
590 025	KYK-1002	1,5 - 2,5	10,6	13,6 ±0,2	4,8 ±0,3	30,5 ±1,0	10 ±0,5	100
590 030	KYK - 406	4,0 - 6,0	4,4	9,5 ±0,2	6,7 ±0,3	26,6 ±1,0	13 ±0,5	100
590 031	KYK - 506	4,0 - 6,0	5,3	9,5 ±0,3	6,7 ±0,3	26,6 ±1,0	13 ±0,5	100
590 032	KYK - 606	4,0 - 6,0	6,4	12 ±0,2	6,7 ±0,3	29,5 ±1,0	13 ±0,5	100
590 033	KYK - 806	4,0 - 6,0	8,5	15 ±0,2	6,5 ±0,3	34,0 ±1,0	13 ±0,5	50
590 034	KYK-1006	4,0 - 6,0	10,6	15 ±0,2	6,7 ±0,3	33,8 ±1,0	13 ±0,5	50
590 035	KYK-1206	4,0 - 6,0	13,1	19,1 ±0,2	6,7 ±0,3	38,2 ±1,0	13 ±0,5	50

Insulated Terminals / Forktype



Order No	Type	Cross-Sec. (mm ²)	A	B	DØ	L	l	Qty.
591 010	KCK - 301	0,5 - 1,5	3,3	5,7 ±0,2	4,3 ±0,3	21 ±1,0	10 ±0,5	100
591 011	KCK - 351	0,5 - 1,5	3,8	6,4 ±0,3	4,1 ±0,3	21 ±1,0	10 ±0,5	100
591 012	KCK - 401	0,5 - 1,5	4,4	6,4 ±0,2	4,3 ±0,3	21 ±1,0	10 ±0,5	100
591 013	KCK - 501	0,5 - 1,5	5,4	8,1 ±0,2	4,3 ±0,3	21 ±1,0	10 ±0,5	100
591 014	KCK - 601	0,5 - 1,5	6,6	9,5 ±0,2	4,3 ±0,3	21 ±1,0	10 ±0,5	100
591 021	KCK - 352	1,5 - 2,5	3,7	6 ±0,2	4,8 ±0,3	21 ±1,0	10 ±0,5	100
591 022	KCK - 402	1,5 - 2,5	4,4	6,4 ±0,2	4,8 ±0,3	21 ±1,0	10 ±0,5	100
591 023	KCK - 502	1,5 - 2,5	5,4	8,1 ±0,2	4,8 ±0,3	21 ±1,0	10 ±0,5	100
591 024	KCK - 602	1,5 - 2,5	6,5	12 ±0,3	4,9 ±0,3	27 ±1,0	10 ±0,5	100
591 030	KCK - 406	4,0 - 6,0	4,4	8,3 ±0,3	6,6 ±0,3	25,5 ±1,0	13 ±0,5	100
591 031	KCK - 506	4,0 - 6,0	5,4	9,0 ±0,3	6,7 ±0,3	25,5 ±1,0	13 ±0,5	100
591 032	KCK - 606	4,0 - 6,0	6,6	12 ±0,3	6,7 ±0,3	31,5 ±1,0	13 ±0,5	50

Insulated Terminals / Pinconnectors

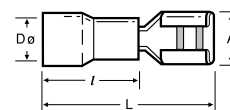


Order No	Type	Cross-Sec. (mm ²)	A	B	DØ	L	l	Qty.
592 010	KIK 1/1,5	0,5 - 1,5	12,0 ±0,3	1,9 ±0,2	4,3 ±0,3	22,0 ±1,0	10,0 ±0,5	200
592 020	KIK 1/2,5	1,5 - 2,5	12,0 ±0,3	1,8 ±0,2	4,9 ±0,3	22,0 ±1,0	10,0 ±0,5	200
592 030	KIK 6	4,0 - 6,0	14,0 ±0,3	2,8 ±0,2	6,7 ±0,3	27,0 ±1,0	13,0 ±0,5	100

DØ: Do is the inner-Width for the isolation part.

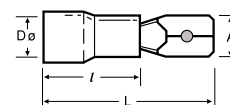
Insulated Terminals

Insulated Terminals / Female Disconnect



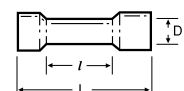
Order No	Type	Cross-Sec. (mm ²)	A	DØ	L	l	Qty.
593 010	KFD - 1288	0,5 - 1,5	3,2 +0,2 -0,05	3,4 ±0,3	18,8 ±1,0	10 ±0,5	100
593 011	KFD - 1488	0,5 - 1,5	5,00 +0,2 -0,05	3,4 ±0,3	18,8 ±1,0	10 ±0,5	100
593 012	KFD - 1638	0,5 - 1,5	6,7 ±0,2	3,4 ±0,3	20,5 ±1,0	10 ±0,5	100
593 020	KFD - 2488	1,5 - 2,5	5,00 +0,2 -0,05	4,1 ±0,3	19 ±1,0	10 ±0,5	100
593 021	KFD - 2638	1,5 - 2,5	6,7 ±0,2	4,1 ±0,3	20,4 ±1,0	10 ±0,5	100
593 022	KFDC - 2288	1,5 - 2,5	3,20 +0,2 -0,05	4,6 ±0,3	19 ±1,0	10,5 ±0,5	100
593 030	KFD - 5638	4,0 - 6,0	6,7 ±0,2	5,6 ±0,3	23,4 ±1,0	13 ±0,5	100

Insulated Terminals / Male Disconnect



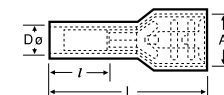
Order No	Type	Cross-Sec. (mm ²)	A	DØ	L	l	Qty.
594 010	KFE - 1288	0,5 - 1,5	2,8 ±0,2	4,1 ±0,3	18,7 ±1,0	10 ±1,0	100
594 011	KFE - 1488	0,5 - 1,5	4,8 ±0,2	3,5 ±0,3	19,2 ±1,0	10 ±0,5	100
594 012	KFE - 1638	0,5 - 1,5	6,35 ±0,2	3,4 ±0,3	21 ±1,0	10 ±0,5	100
594 020	KFE - 2488	1,5 - 2,5	4,8 ±0,2	4,1 ±0,3	19,4 ±1,0	10 ±1,0	100
594 021	KFE - 2638	1,5 - 2,5	6,35 ±0,2	4,1 ±0,3	21 ±1,0	10 ±1,0	100
594 030	KFE - 5638	4,0 - 6,0	6,35 ±0,2	5,6 ±0,3	24 ±1,0	13 ±0,5	100

Insulated Terminals / Butt Connectors



Order No	Type	Cross-Sec. (mm ²)	DØ	L	l	Qty.
597 010	KME - 251	0,5 - 1,5	4,3 ±0,3	26,0 ±1,0	15,0 ±0,3	200
597 020	KME - 252	1,5 - 2,5	4,8 ±0,3	26,0 ±1,0	15,0 ±0,3	200
597 030	KME - 256	4,0 - 6,0	6,7 ±0,3	27,0 ±1,0	15,0 ±0,3	100

Fully Insulated Terminals / Female Disconnect

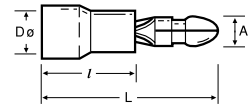


Order No	Type	Cross-Sec. (mm ²)	A	DØ	L	l	Qty.
595010	IKFD 1288	0,5 - 1,5	3,2 +0,2-0,05	3,4 ±0,3	18,5 ±1,0	10 ±0,5	100
595011	IKFD 1488	0,5 - 1,5	5,00 ±0,2	3,4 ±0,3	19 ±1,0	10 ±0,5	100
595012	IKFD 1638	0,5 - 1,5	6,7 ±0,2	3,4 ±0,3	22,6 ±1,0	10 ±0,5	100
595013	IKFDC 1638	0,5 - 1,5	6,7 ±0,2	3,9 ±0,3	22,6 ±1,0	10 ±0,5	100
595019	IKFDCY 1638	0,5 - 1,5	6,7 ±0,2	3,9 ±0,3	22,9 ±1,0	10 ±0,5	100
595020	IKFD 2488	1,5 - 2,5	5,0 +0,2-0,05	4,2 ±0,3	21,7 ±1,0	10 ±0,5	100
595021	IKFD 2638	1,5 - 2,5	6,7 ±0,2	4,1 ±0,3	22,8 ±1,0	10 ±0,5	100
595022	IKFDC 2638	1,5 - 2,5	6,7 ±0,2	4,7 ±0,3	22,4 ±1,0	10 ±0,5	100
595030	IKFD 5638	4,0 - 6,0	6,7 ±0,2	5,2 ±0,3	23,8 ±1,0	11 ±0,5	100
595031	IKFDC 5638	4,0 - 6,0	6,7 ±0,2	6,4 ±0,3	24 ±1,0	12 ±0,5	100

DØ: Do is the inner-Width for the isolation part.

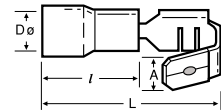
Insulated Terminals

Insulated Terminals / Male Bullet



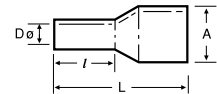
Order No	Type	Cross-Sec. (mm ²)	A	DØ	L	l	Qty.
598 010	KMT - 1040	0,5 - 1,5	4,0 ±0,2	3,4 ±0,3	21,5 ±1,0	10 ±0,5	200
598 020	KMT - 2050	1,5 - 2,5	5,0 ±0,2	4,1 ±0,3	21,5 ±1,0	10 ±0,3	200
598 030	KMT - 5050	4,0 - 6,0	5,0 ±0,2	5,6 ±0,3	24,5 ±1,0	13 ±0,3	100

Insulated Terminals / Piggy Back



Order No	Type	Cross-Sec. (mm ²)	A	DØ	L	l	Qty.
596010	KPB 1638	0,5 - 1,5	6,5 ±0,2	3,4 ±0,3	21,5 ±1,0	10,2 ±0,5	200
596011	KPBC 1638	0,5 - 1,5	6,5 ±0,2	4,0 ±0,3	22,0 ±1,0	10,5 ±0,5	200
596020	KPB 2638	1,5 - 2,5	6,5 ±0,2	4,2 ±0,3	21,5 ±1,0	10,2 ±0,5	100
596030	KPB 5638	4,0 - 6,0	6,3 ±0,2	5,5 ±0,3	24,0 ±1,0	12,7 ±0,5	100
596031	KPBC 5638	4,0 - 6,0	6,4 ±0,2	6,2 ±0,3	24,8 ±1,0	13,0 ±0,5	100

Insulated Terminals / Female Bullet



Order No	Type	Cross-Sec. (mm ²)	A	DØ	L	l	Qty.
599 010	KFT - 1040	0,5 - 1,5	3,9 ±0,2	3,3 ±0,3	24,5 ±1,0	10,0 ±0,5	200
599 020	KFT - 2050	1,5 - 2,5	4,9 ±0,2	3,9 ±0,3	25,0 ±1,0	10,0 ±0,5	200
599 030	KFT - 5050	4,0 - 6,0	4,9 ±0,2	5,6 ±0,3	28,0 ±1,0	13,0 ±0,5	100

DØ: Do is the inner-Width for the isolation part.

Insulated End Sleeves - Standard DIN Series

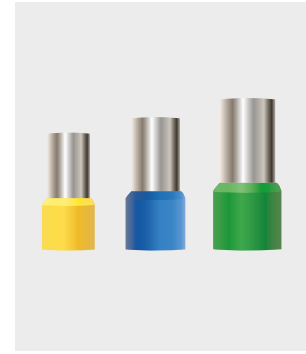
Single Cord Insulated End Sleeves



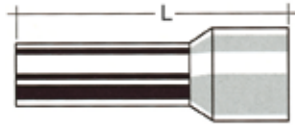
Material: Insertion funnel is made of PA
Self-Extinguish
Metal cylinder is made of tin-plated copper
(EN 13600)
Heat resistant: -40~105°C
ROHS Compliant

Standard: Dimensions and colours are compatible with
DIN 46228 According to UL 486 requirements
Color Standard: French

Package: Transparent Box



Insulated Type

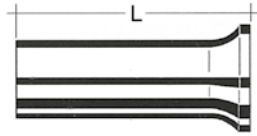


Type	Order No	Cross-Section (mm ²)	L (mm)	Color	AWG	Qty.
IKY 0,25/8	570 002F			Violet		500
IKY 0,34/8	570 003F			Pink		500
IKY 0,50/8	570 010F	0,50	14	White	20	500
IKY 0,75/8	570 020F	0,75	14	Blue	18	500
IKY 1,0/8	570 030F	1,0	14	Red	17	500
IKY 1,5/8	570 040F	1,5	14	Black	16	500
IKY 2,5/8	570 050F	2,5	15	Gray	14	250
IKY 4,0/9	570 060F	4	16	Orange	12	250
IKY 6,0/12	570 070F	6	20	Green	10	100
IKY 10,0/12	570 080F	10	21	Brown	8	100
IKY 16,0/12	570 090F	16	22	Ivory	6	50
IKY 15,0/16	570 100F	25	29	Black	4	20
IKY 35,0/16	570 110F	35	30	Red	2	20
IKY 50,0/20	570 120F	50	36	Blue	1	20

Type	Order No	L1 (mm)	L2 (mm)	S2	Cross-Section (mm ²)	AWG	Color	Qty.
IKY 0,25/8	570 002	10	6	0,25	0,25	20	Light Blue	500
IKY 0,35/8	570 003	10	6	0,25	0,34	20	Turquoise	500
IKY 0,50/8	570 010	14	8	0,25	0,5	20	Orange	500
IKY 0,75/8	570 020	14	8	0,25	0,75	18	White	500
IKY 1,0/8	570 030	14	8	0,25	1	17	Yellow	500
IKY 01,5/8	570 040	14	8	0,25	1,5	16	Red	500
IKY 1,5/10	570 041	16	10	0,25	1,5	16	Red	500
IKY 1,5/12	570 042	18	12	0,25	1,5	16	Red	500
IKY 1,5/18	570 043	24	18	0,25	1,5	16	Red	500
IKY 2,5/8	570 050	15	8	0,25	2,5	14	Blue	250
IKY 2,5/12	570 051	19	12	0,25	2,5	14	Blue	250
IKY 2,5/18	570 052	25	18	0,25	2,5	14	Blue	250
IKY 2,5/18	570 053	25	18	0,25	2,5	14	Blue	20
IKY 4,0/9	570 060	18	10	0,3	4	12	Grey	250
IKY 4,0/12	570 061	19	12	0,3	4	12	Grey	250
IKY 4,0/18	570 062	19	12	0,3	4	12	Grey	250
IKY 6,0/12	570 070	20	12	0,3	6	10	Black	100
IKY 6,0/18	570 071	26	18	0,3	6	10	Black	100
IKY 10,0/12	570 080	22	12	0,4	10	8	Beige	100
IKY 10,0/18	570 081	28	18	0,4	10	8	Beige	100
IKY 16,0/12	570 090	22	12	0,4	16	6	Green	50
IKY 16,0/18	570 091	28	18	0,4	16	6	Green	50
IKY 25,0/16	570 100	30	16	0,4	25	4	Brown	20
IKY 35,0/16	570 110	30	16	0,4	34	2	Beige	20
IKY 50,0/20	570 120	36	20	0,5	50	0	Olive Green	20
IKY 70,0/20	570 130	36	21	0,5	70	00	Yellow	20

End Sleeves

Uninsulated Type



Type	Order No	Cross-Section (mm ²)	L (mm)	AWG	Qty.
KY 0,50/10	571 010	0,50	10	20	1000
KY 0,75/10	571 020	0,75	10	18	1000
KY 1,0/10	571 030	1,0	10	17	1000
KY 1,5/10	571 040	1,5	10	16	1000
KY 2,5/12	571 050	2,5	12	14	1000
KY 4,0/12	571 060	4,0	12	12	500
KY 6,0/12	571 070	6,0	12	10	250
KY 10,0/12	571 080	10,0	12	8	250
KY 16,0/12	571 090	16,0	12	6	100

Uninsulated end sleeves are made of E-Cu with tin-plating as per DIN 46228/1.

Twin Cord end Terminals






Type	Order No	Cross-Section (mm ²)	Color	Qty.
IKY - 2 x 0,5/8	572 010	2 x 0,5	Orange	500
IKY - 2 x 0,75/8	572 020	2 x 0,75	White	500
IKY - 2 x 1/8	572 030	2 x 1,0	Yellow	500
IKY - 2 x 1,5/8	572 040	2 x 1,5	Red	250
IKY - 2 x 2,5/10	572 050	2 x 2,5	Blue	200
IKY - 2 x 4/12	572 060	2 x 4,0	Grey	100
IKY - 2 x 6/14	572 070	2 x 6,0	Black	75
IKY - 2 x 10/14	572 080	2 x 10	Ivory	50
IKY - 2 x 16/14	572 090	2 x 16	Green	20

Insulated twin cord end sleeves are made of E-Cu with tin-plating as per DIN 46228/4.



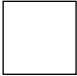
Hand Tools

Crimping Tools






Order No	Product	Cable Cross-Section	Crimping Technic	Terminal Insertion	Self-Adjustment	Qty.
562 113	CRIMPER 6	0,25-6,0mm ² (AWG 24-10)	Linear	Front	Automatic	1
<ul style="list-style-type: none"> • Automatic adjustment to the wire cross-sections • Continuous precision crimp over the full length of the ferrule • Full cycle ratchet operation (with release) assuring a complete crimp • Perfect fit to hand ergonomics • Patented crimping technology 			Terminal / Connector Type  		Crimping Profile 	



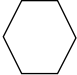


Order No	Product	Cable Cross-Section	Crimping Technic	Terminal Insertion	Self-Adjustment	Qty.
562 125	CRIMPER F 10 R	0,08-10 mm ² (28-8 AWG)	Linear	Side	Automatic	1
<ul style="list-style-type: none"> • Crimping of wire end ferrules with or without insulation • High-precision crimping results • Ergonomically designed soft handles with non-slip grip material for comfortable working. 			Terminal / Connector Type  		Crimping Profile 	






Order No	Product	Cable Cross-Section	Crimping Technic	Terminal Insertion	Self-Adjustment	Qty.
562 126	CRIMPER F 10 L	0,5-10 mm ² (20-8 AWG)	Linear	Front	-	1
<ul style="list-style-type: none"> • Automatic adjustment to the wire cross-sections • High precision crimping • Releasable ratchet ensures the complete crimping process • Ergonomically designed soft handles with non-slip grip material for comfortable working. 			Terminal / Connector Type  		Crimping Profile 	



Order No	Product	Cable Cross-Section	Crimping Technic	Terminal Insertion	Self-Adjustment	Qty.
562 124	CRIMPER N 16 H	0,08-16 mm ²	Linear	Side	-	1
<ul style="list-style-type: none"> • Automatic adjustment between 0,08 - 16 mm² • Required hand force reduced by 30% • Hexagonal crimping • Releasable ratchet ensures the complete crimping process • Ergonomically designed soft handles with non-slip grip material for comfortable working. 			Terminal / Connector Type  		Crimping Profile 	



Order No	Product	Cable Cross-Section	Qty.
562 117	CRIMPER N 16 L	0,14-16,0 mm ² (26-20;18-16; 14; 12; 10; 8; 6 AWG)	1
<ul style="list-style-type: none"> • Releasable ratchet ensures the complete crimp process • Special-designed ergonomic handles prevents slipping • Ergonomically designed soft handles with non-slip grip material for comfortable working. 		Terminal / Connector Type  	Crimping Profile 

Hand Tools

Crimping Tools



Order No	Product	Cable Cross-Section	Qty.
562 119	CRIMPER N 50 L	10,0-50,0 mm ² (8;6;4;2;1 AWG)	1
<ul style="list-style-type: none"> Releasable ratchet ensures the complete crimping process Ergonomically designed soft handles with non-slip grip material for comfortable working. 		Terminal / Connector Type 	Crimping Profile



Order No	Product	Crimping Range	Qty.
562 120	CRIMPER IT 6 S	Red 0,5-1,0 (20-18 AWG) Blue 1,5-2,5 (16-14 AWG) Yellow 4,0-6,0(12-10 AWG)	1
<ul style="list-style-type: none"> Red/blue/yellow round type DIN cable lugs, pin cable lugs, female FASTON cable lugs, male FASTON cable lugs, male terminals, cable joints Ergonomically designed soft handles with non-slip grip material for comfortable working. 		Terminal / Connector Type 	Crimping Profile

Cable Strippers



Order No	Product	Cable Cross-Section	Terminal Insertion	Qty.
562 114	STRIPPER 16	0,03-16 mm ²	Front	1
<ul style="list-style-type: none"> Stripping and cutting of stranded and solid wires with PVC insulation of 0,03 to 16 mm² Self-adjustment for all cross-sections with POWER PLUS feature Adjustable stripping length 3 - 21 mm Ergonomically designed soft handles with non-slip grip material for comfortable working. 				

Spare Knife Set - 562127



Order No	Product	Cable Cross-Section	Terminal Insertion	Qty.
562 123	STRIPPER 28 C	Ø4,5 – 29 mm	-	1
<ul style="list-style-type: none"> Cable stripping as lane with patented stripping mode Maximum performance with less effort High strength special steel 				

Hand Tools

Cable Cutting Tools



Order No	Product	Cable Cross-Section	Qty.
562 110	CUTTER 16	0,03 to 70 mm ²	1
<ul style="list-style-type: none"> • For burr-free cutting of standard wire cables • Wide application range from 0,03 up to 70 mm² • Blades with serrated edge • Low hand force • Soft-grips 			



Order No	Product	Cable Cross-Section		Qty.
		Solid	Stranded	
562 122	CUTTER 32	max. 25/15 mm AL/CU diameter	max. 32 mm diameter or 300 mm ²	1
<ul style="list-style-type: none"> • High tempered special steel • Locking lever • Step-wise and burr-free cutting • Unlocking possibility in every position • Hand tool model • Ergonomically designed soft handles with non-slip grip material for comfortable working. 				

Hand Tool Set

Order No	Product	Cable Cross-Section	Crimping Technic	Terminal Insertion	Qty.
562 128	STRIP & CRIMP SET 1				1
562 114	STRIPPER 16	0,03-16 mm ²	-	Front	1
562 124	CRIMPER N 16 H	0,08-16 mm ²	Linear	Side	1



CRIMPER N 16 H - 562124

STRIPPER 16 - 562114

Hand Tools

Wiring Duct Cutting Tool



Order No	Product	Qty.
553 230	KKMR	1

- Burr-free cutting of wiring ducts and wiring duct covers
- Straight or 45° cutting options
- Equal force distribution across blades helps homogenous cutting
- Cutting up to 100 mm width

Wiring Duct Cutting Tool



Order No	Product	Cutting Type	Max. Width	Length Adjustment	Qty.
553 220	KMK 1002	Straight	125 mm	100 cm	1

- Cover cutting
- Burr-free cutting
- Non-blunting knife
- Length adjustment guide
- Cutting up to 125 mmwid

Rail Cutting Tool



Order No	Product	Cutting Thickness	Cutting Capacity	Length Adjustment	Qty.
500 650	KRKM	1,5 mm	7.5x35 mm 15x35 mm Tij Ø8mm	100 cm	1

- 3 different cutting slots
- Clean Cut
- Lossless cutting
- Non-blunting knife
- Length adjustment guide

Non - Isolated Screwdrivers



Order No	Product	Description	Qty.
560 130	KTD1	2,5x75 - Flat	1
560 140	KTD2	3,0x100 - Flat	1
560 150	KTD3	3,5x100 - Flat	1
560 160	KTD4	4,0x125 - Flat	1
560 170	KTD5	5,5x150 - Flat	1

Isolated Screwdrivers



Order No	Product	Description	Qty.
561 210	IKTD1	2,5x75 - Flat	1
561 220	IKTD2	3,0x100 - Flat	1
561 230	IKTD3	3,5x100 - Flat	1
561 240	IKTD4	4,0x125 - Flat	1
561 250	IKTD5	5,5x150 - Flat	1
561 260	IKTD6	6,5x200 - Flat	1

Main Tester



Order No	Product	Description	Qty.
561 110	KK1	140 mm	1
561 120	KK2	180 mm	1

CE Sign

The letters CE stand for Conformance Européenne. CE sign confirms that a product meets the demands of all relevant guidelines and regulations of the European Union (EU), and declares a product is appropriate for human security and health. The products of Klemsan are subject to below directives:

1- Low Voltage Directive (LVD) - 73/23 EEC

This directive includes electrical devices which function in the range of 50-1000 V (alternative current) and 75-1500 V (direct current).

2- Equipment for use in potentially Explosive Atmospheres (ATEX) - 94/9 EEC. ATEX is the name commonly given to the framework for controlling explosive atmospheres and the standards of equipment and protective systems used in them.

RoHS

The RoHS Directive stands for "Restriction of the use of certain Hazardous Substances in electrical and electronic equipment". This Directive bans the placing on the EU market of new electrical and electronic equipment containing more than agreed levels of lead, cadmium, mercury, hexavalent chromium, polybrominated biphenyl (PBB) and polybrominated diphenyl ether (PBDE) flame retardants. The permitted ratios are below:

Cd - Cadmium - %0,01 ppm

Hg - Mercury - %0,1 ppm

Cr(VI) - Hexavalent chromium (coating) - %0,1 ppm

PBB - Polybrominated biphenyl (flame retardant) - %0,1 ppm

PBDE - Polybrominated diphenyl ether (flame retardant) - %0,1 ppm

Pb - Lead - %0,1 ppm

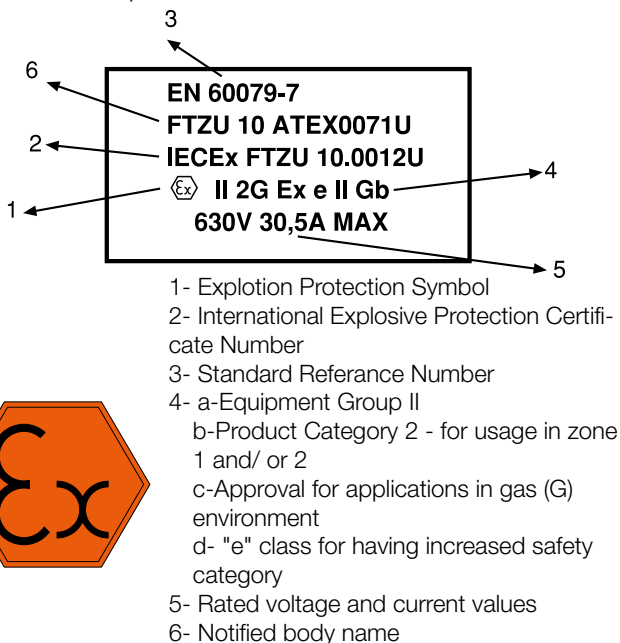
ppm: parts per million (in total weight)

Klemsan has developed some processes and components in accordance with RoHS Directives in 2006, and had its products tested in the approved laboratories, and achieved RoHS Conformity Approvals.

Pollution Severities

Pollution SeveATEX Directives regulating the "94/9/EC - use of equipment in potentially explosive atmospheres was put into force on December 1st 2003 by the European Union. By this directive, rated values for normal operating conditions have been revised for potentially explosive areas.

Below figure illustrates and verbalizes the meaning of the labels ATEX certified products:



EQUIPMENT GROUP

1- Mines

2- Other industry branches

CLASSIFICATION OF POTENTIALLY EXPLOSIVE AREAS

ZONE 0: Places where the potential for explosion is high and duration is long under normal operating conditions

ZONE 1: Places where the potential for explosion is low and duration is short under normal operating conditions

ZONE 2: Places where there is no potential for explosion under normal operating conditions or low potential for explosion with short duration under defect, repair and maintenance situations.

"e" CLASS INCREASED SAFETY

This is an application where the precautions are taken although there is no arc occurring under normal operating conditions. Security of the device is increased one step further. This application is used in environments with no danger of high temperature under normal operations e.g. in terminal block Boxes, cable connections. Such products do not need to be pressure resistant; it is sufficient to get their IP degree up to a level that assures water and humidity resistance.

Reach Directive

As the name implies, the 2006/1907/EC REACH (Registration, Evaluation, Authorization and Restriction of Chemicals) directive, adopted by the European Union on 1 June 2007, obliges companies that produce, import or use chemical substances to register these substances and their uses and determine any related dangers and risks if required.



European Chemical Agency (ECHA) will publish the lists of SVHC (Substances of very high concern)

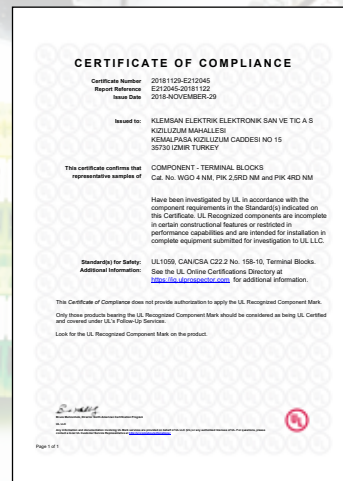
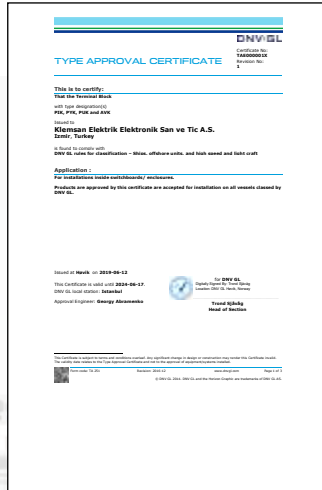
As of 01 December 2011, companies exporting goods into the EU must give a declaration to ECHA about their usage of SCVH as to whether the goods contain these materials in more than %0.1 SVHC as concentration/weight and more than 1 ton/year SVHC.

The European Union, by these directives, aims to record all the chemicals used in the industry and investigating these chemicals as to whether they have any hazardous effect on human health and environment, it can restrict or prohibit the usage of some chemicals in the industry.

Important Notice

- Klemsan Inc. reserves the rights for any changes in this catalogue.
- For the products that are not included in our catalogue please contact with our Trade Department.
- Figures and technical specs in this catalogue are only for general purpose.
- Our products are assembled to be in accordance with EC technical regulations and correspond to the national and international standards. All our products are fabricated in our ISO 9001 and ISO 14001 certified manufacturing plants.
- For further information on the certificates: Tel : +90 (232) 877 08 00 • Fax: +90 (232) 877 08 06
- All terminal blocks within the scope of this product catalog are compatible with the Rules for the classification and construction of sea going ships, the Technical Regulation Concerning the safety of Sea Transport Items (TR-620)

ISO 50001- ISO 9001 - ISO 14001



www.klemsan.com



Klemsan