

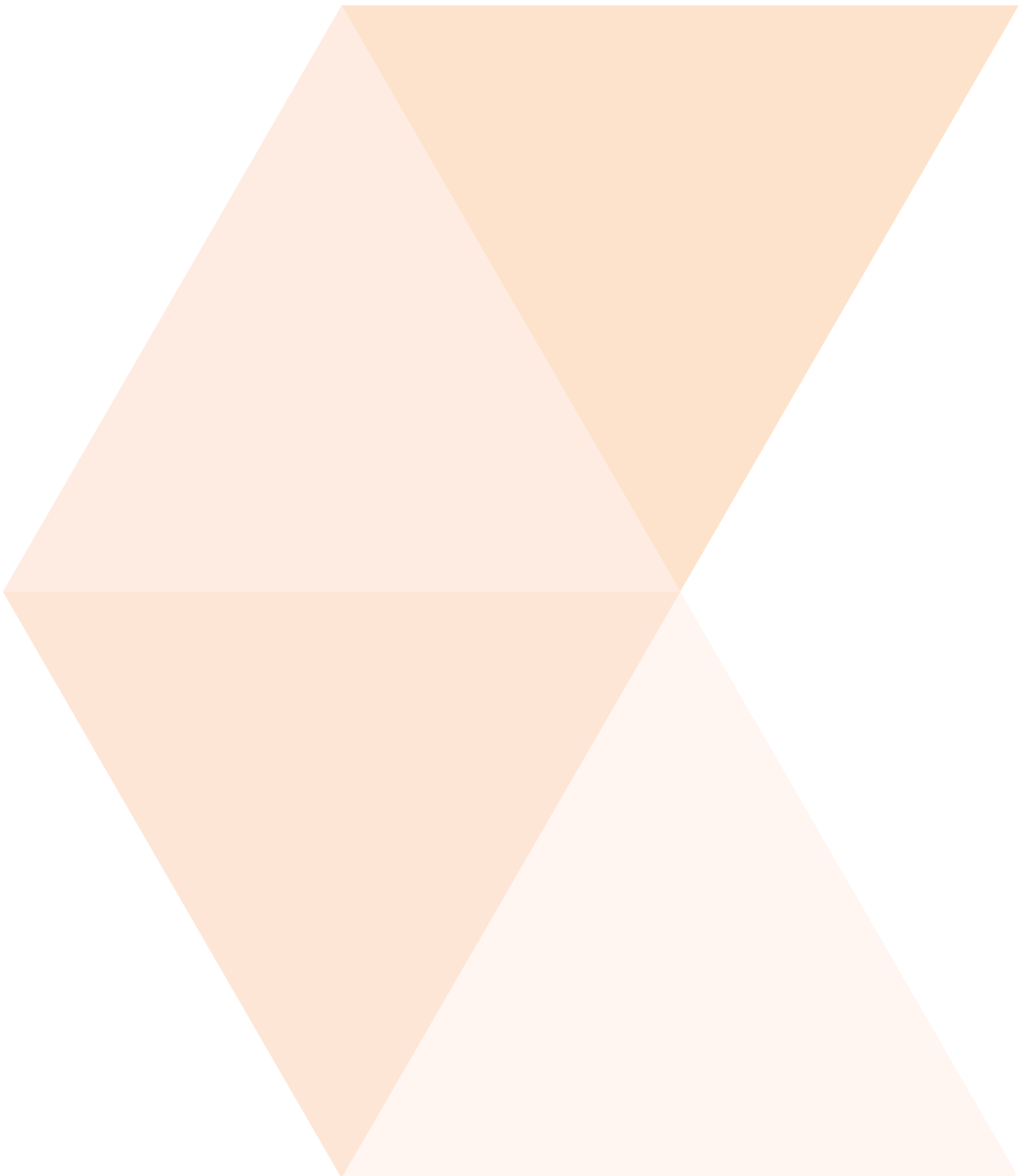
Klemsan

Product
Catalogue
2022

www.klemsan.com



Terminal Blocks Marking Solutions Wiring Ducts



contents

Rail Terminals and Accessories	34 - 269
Screw Connection Terminals	
AVK Series	34 - 53
MVK Series	54 - 55
Functional Terminals	56 - 57
AVK PV Series Terminals	58 - 59
CPB Series Terminals	60 - 61
High Current Terminals	62 - 63
Screw Type High Current Terminals	64 - 65
AVK PB Series Terminals	66 - 67
Bolt Connection Terminals	68 - 73
Multilevel Terminals	74 - 83
Sensor Terminals	84 - 85
Disconnect Terminals	86 - 93
Test and Disconnect Terminals	94 - 101
Distribution Terminals	102 - 103
Fuse Terminals	104 - 109
Double Level Electronic Terminals	110 - 111
Practical Spring Clamp Terminals	112 - 115
PYK Series Feed-Through Terminals	116 - 123
PYKM / PYKMR Series Mini Terminals	124 - 125
PYK Series Multilevel Terminals	126 - 133
PYK Series Sensor Terminals	134 - 137
PYK Series Fuse and Disconnect Terminals	138 - 140
PYK Series Multi input/output Terminals	141 - 149
Spring Clamp Terminals	150 - 151
YBK Series Spring Clamp Terminals	152 - 155
MYK Series Mini Spring Terminals	156 - 159
YBK Series Multilevel Terminals	160 - 167
YBK Series Sensor Terminals	168 - 171
YBK Series Fuse and Disconnect Terminals	172 - 173
YBK Series Multi input/output Terminals	174 - 177
V0 Series Terminals	178 - 203
SRD Series Terminals	204 - 257
StoP Series Terminals	258 - 269
PCY Series Terminals	270 - 275
Other Terminal Series	
Transformer Terminals	276 - 277
Terminal Strips	278 - 279
Clamping Yokes	280 - 283
Din Rails	284
Accessories	285 - 289
Din Rail Sockets	290
Marking Systems	291 - 333
Wiring Ducts and Accessories	334 - 348
Test Plugs and Sockets, Warning Label, Cable Ties	349
Self-Adhesive Tie Mounts, Saddle Type Tie Mounts, Rubber Glands	350 - 351
Insulated Terminals and End Sleeves	352 - 356
Hand Tools	357 - 360
CE Sign, RoHS, Pollution Severities, Reach Directive, Important Notice	361 - 362
Index	363
PB	

AVK 2,5

304 120 / Page: 36

AVK 2,5/NM

309 009 / Page: 180



AVK 4

304 130 / Page: 36

AVK 4/NM

309 019 / Page: 180



AVK 6

304 140 / Page: 37

AVK 6/NM

309 029 / Page: 181



AVK 10

304 150 / Page: 37

AVK 10/NM

309 039 / Page: 181



AVK 16

304 160 / Page: 37



AVK 16 RD

304 240 / Page: 38

AVK 16 RD/NM

309 059 / Page: 181



AVK 25 RD

304 290 / Page: 38



AVK 35 RDS

304 580 / Page: 39

AVK 35 RDS/NM

309 089 / Page: 182



AVK 35 IRDS

304 590 / Page: 39



AVK 35 RD

304 250 / Page: 39



AVK T Series Earth Terminals

AVK 2,5 / 4 TK

334 450 / Page: 40

AVK 2,5 / 4 TK/NM

341 010 / Page: 184



AVK 6 TK

334 460 / Page: 40

AVK 6 TK/NM

341 020 / Page: 184



AVK 10 TK

334 470 / Page: 41

AVK 10 TK/NM

341 030 / Page: 185

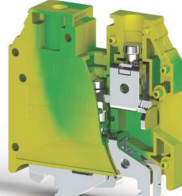


AVK 16 T RD

334 200 / Page: 41

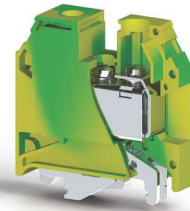
AVK 16 T RD/NM

341 040 / Page: 185



AVK 35 T RD

334 210 / Page: 41



AVK 35 T RDS

334 240 / Page: 42

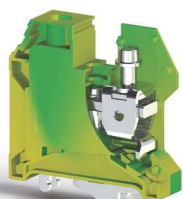
AVK 35 T RDS/NM

341 060 / Page: 186



AVK 35 T IRDS

334 250 / Page: 42



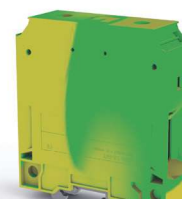
AVK 50 T

334 190 / Page: 43



AVK 70/95 T

336 660 / Page: 43



AVK RD Series Terminals

AVK 2,5 RD

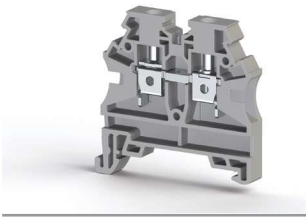
304 200 / Page: 44

AVK 2,5 RD/NM

309 159 / Page: 189



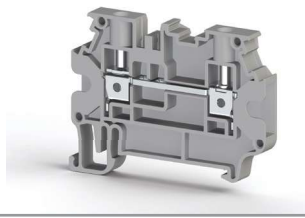
AVK 4 RD
304 210 / Page: 44
AVK 4 RD/NM
309 169 / Page: 189



AVK 2,5 R
304 409 / Page: 45



AVK 4 R
304 390 / Page: 45



AVK RD Series Earth Terminals

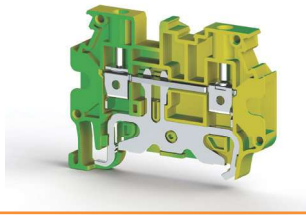
AVK 2,5 T RD
334 170 / Page: 46
AVK 2,5 T RD/NM
341 090 / Page: 186



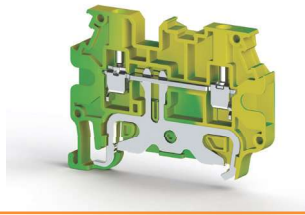
AVK 4 T RD
334 180 / Page: 46
AVK 4 T RD/NM
341 100 / Page: 187



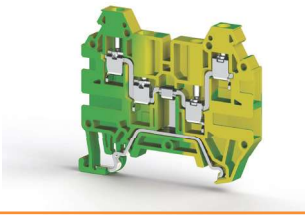
AVK 4 RT
334 270 / Page: 47



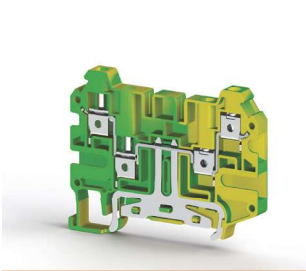
AVK 2,5 RT
334 280 / Page: 47



AVK 2,5 CCT
334 220 / Page: 50



AVK 4 CCT
334 260 / Page: 50



AVK Series Terminals

AVK 10 RD 4
304 289 / Page: 48



AVK 4 CE
325 229 / Page: 48



AVK 4 CC
325 209 / Page: 49



AVK 2,5 CC
324 909 / Page: 49



AVK 4 GD
304 270 / Page: 49



AVK Y Series Terminals

AVK Y 4
304 500 / Page: 52



AVK Y 4 A
304 600 / Page: 52



AVK Y 6
304 510 / Page: 53



AVK Y 10
304 520 / Page: 53



MVK Series Mini Terminals

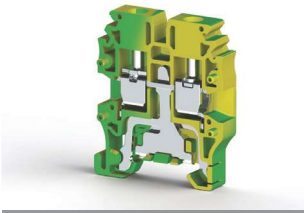
MVK 2,5
304 429 / Page: 54



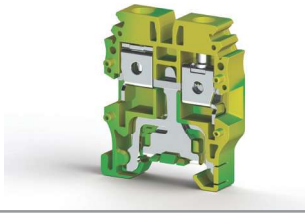
MVK 4
304 439 / Page: 54



MVK 2,5 T
334 420 / Page: 55

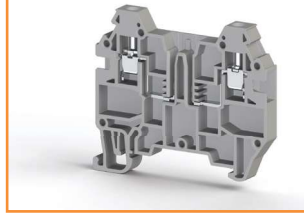


MVK 4 T
334 430 / Page: 55



AVK Series Functional Terminals

AVK 2,5 F
324 929 / Page: 56



AVK 2,5 CF
324 919 / Page: 56



AVK SKT
498 759 / Page: 57



AVK SKTD
498 859 / Page: 57

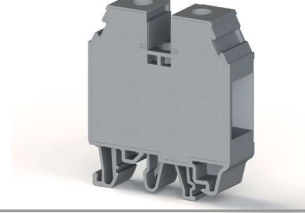


AVK PV Series Terminals

AVK 16 PV
304 160 P / Page: 58



AVK 35 RD PV
304 250 P / Page: 58



AVK 50 PV
304 330 P / Page: 59



AVK 70 PV
304 190 P / Page: 59



AVK 70 RD PV
304 490 P / Page: 59



PB - CPB Series Terminals

PB 2,5/NM
308 029 / Page: 200



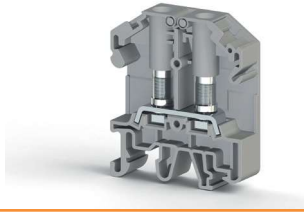
PB 2,5K/NM
308 039 / Page: 200



PB 2,5T/NM
337 010 / Page: 201



PB 6/NM
308 009 / Page: 201



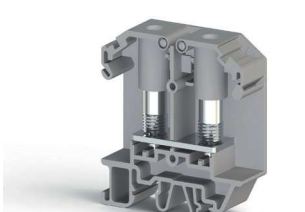
PB 6K/NM
308 019 / Page: 201



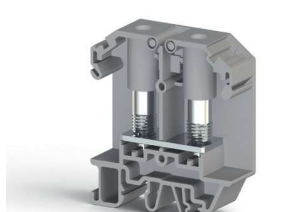
PB 6 T/NM
337 000 / Page: 202



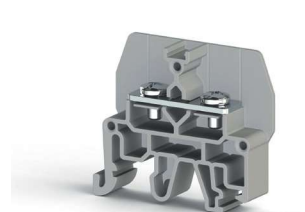
PB 25/NM (M5)
308 049 / Page: 202



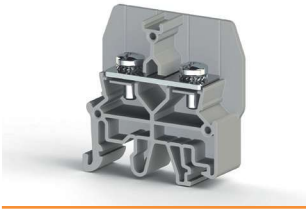
PB 25/NM (M6)
308 059 / Page: 203



CPB 6
326 809 / Page: 61



CPB 6 B
326 819 / Page: 61



CPB 6 U
326 829 / Page: 61



AVK Screw Type High Current Terminals

AVK 50
304 330 / Page: 64



AVK 70 RD
304 490 / Page: 64



AVK 95
304 340 / Page: 65



AVK 150
304 350 / Page: 65



AVK 240
304 360 / Page: 65



AVK PB Series Terminals

AVK PB 50
304 440 / Page: 66



AVK PB 70 RD
304 450 / Page: 66



AVK PB 95
304 460 / Page: 67



AVK PB 150
304 470 / Page: 67



AVK PB 240
304 480 / Page: 67



AVK Series Bolt Connection Terminals

AVK 95 B
304 300 / Page: 68



AVK 150 B
304 310 / Page: 68



AVK 240 B
304 320 / Page: 69



PAK Series

PAK 25-35
313 009 / Page: 70



PAK 25-35 KK
313 019 / Page: 70



PAK 50-70
313 049 / Page: 71



PAK 50-70 KK
313 059 / Page: 71



PAK 95-150
313 089 / Page: 71



PAK 95-150 KK
313 099 / Page: 72



PAK 185-240
313 129 / Page: 72



PAK 185-240 KK
313 139 / Page: 73



PAK 300
313 169 / Page: 73



PAK 300 KK
313 179 / Page: 73



Screw Type Double - Deck
Terminals

PIK 2,5 N
317 109 / Page: 76
PIK 2,5 N/NM
309 189 / Page: 188



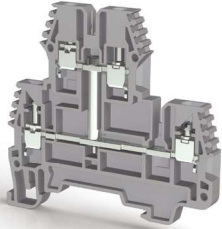
PIK 2,5 RD
325 249 / Page: 76
PIK 2,5 RD/NM
309 429 / Page: 188



PIK 2,5 NK
317 129 / Page: 77
PIK 2,5 NK/NM
309 199 / Page: 189



PIK 2,5 RDK
325 259 / Page: 77
PIK 2,5 RDK/NM
309 439 / Page: 189



PIK 2,5 ND
317 219 / Page: 77
PIK 2,5 ND/NM
315 049 / Page: 189



PIK 2,5 NLD
317 319 / Page: 77
PIK 2,5 NLD/NM
309 229 / Page: 189



PIK 4 N
319 109 / Page: 78
PIK 4 N/NM
309 309 / Page: 190



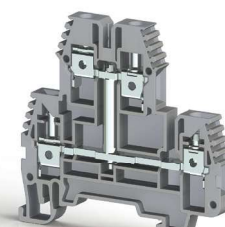
PIK 4 RD
325 349 / Page: 78
PIK 4 RD/NM
309 449 / Page: 190



PIK 4 NK
319 129 / Page: 79
PIK 4 NK/NM
309 319 / Page: 191



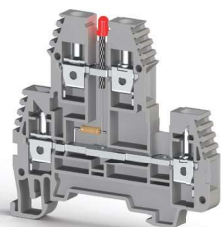
PIK 4 RDK
325 359 / Page: 79
PIK 4 RDK/NM
309 459 / Page: 191



PIK 4 ND
319 219 / Page: 79
PIK 4 ND/NM
315 069 / Page: 191



PIK 4 NLD
319 319 / Page: 79
PIK 4 NLD/NM
309 349 / Page: 191



PIK 4 FS
319 809 / Page: 80

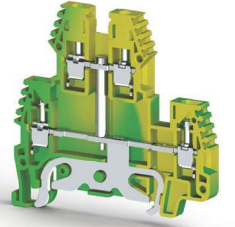


PIK 10 N
319 909 / Page: 80

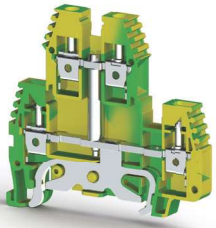


Double Deck Earth Terminals

PIK 2,5 NT
336 560 / Page: 81



PIK 4 NT
336 570 / Page: 81



Screw Type Multilevel Terminals

PUK 3
324 109 / Page: 82
PUK 3/NM
309 479 / Page: 192



PUK 2 T
324 209 / Page: 82
PUK 2 T/NM
309 469 / Page: 192



PUK 3 T
324 309 / Page: 83
PUK 3 T/NM
309 489 / Page: 193



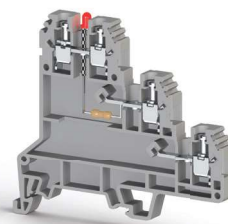
PUK 3 S
324 409 / Page: 84
PUK 3 S/NM
309 499 / Page: 204



PUK 3 SLD (NPN)
324 419 / Page: 84
PUK 3 SLD (NPN)/NM
309 509 / Page: 204

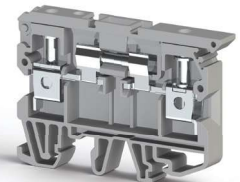


PUK 3 SLD (PNP)
324 429 / Page: 85
PUK 3 SLD (PNP)/NM
309 519 / Page: 195



Screw Type Disconnect Terminals

ASK 2 B
360 119 / Page: 88



AVK 2,5 A
304 419 / Page: 88



AVK 2,5 EA
324 949 / Page: 89



AVK 2,5 CCA
324 939 / Page: 89



AVK 4 A
304 380 / Page: 90
AVK 4 A/NM
309 179 / Page: 182



AVK 4 CEA
325 239 / Page: 90



AVK 4 CCA
325 219 / Page: 91



AVK AS
498 959 / Page: 91



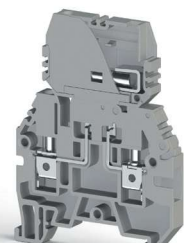
AVK ASD
499 059 / Page: 91



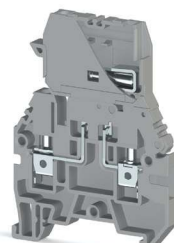
ASK 4 B
360 129 / Page: 92



ASK 3 FB
362 009 / Page: 92



ASK 3 MB
363 009 / Page: 93



ASK 5 B
353 419 / Page: 94



WGO 1

370 590 / Page: 94



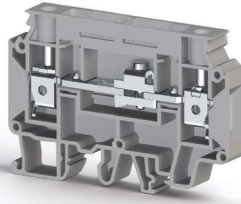
WGL 1

375 790 / Page: 94



WGO 2 N

375 890 / Page: 95



WGO 3

375 600 / Page: 95

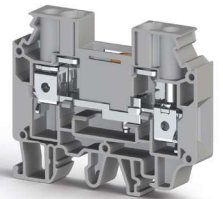
WGO 3/NM

309 569 / Page: 196



WGO 2 IR

375 909 / Page: 96

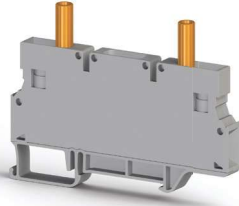


WGO 4

376 090 / Page: 96

WGO 4/NM

309 589 / Page: 196



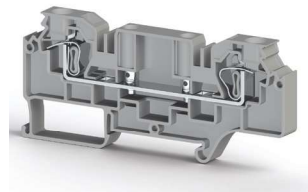
WGO 5

375 190 / Page: 97



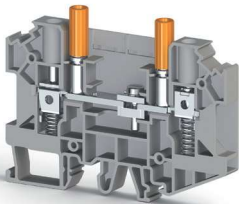
WGO D5

376 290 / Page: 97



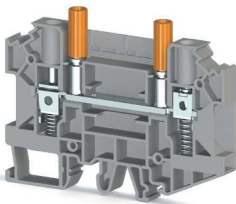
WGO Y 6

375 919 / Page: 98



WGO YD 6

375 929 / Page: 98



WGO PB 6/NM

308 069 / Page: 99-198



WGO PBD 6/NM

308 079 / Page: 99-198



WGO 6/NM

308 609 / Page: 101-197



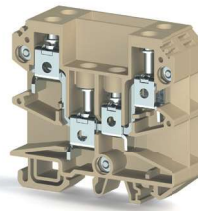
WGO D6/NM

308 619 / Page: 101-197



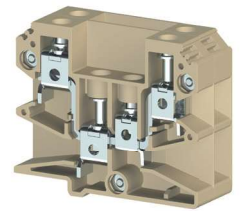
AYK 10/16

395 100 / Page: 102



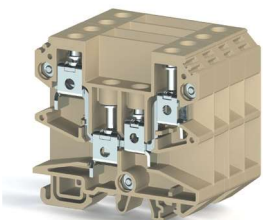
AYK 10/16

395 200 / Page: 102



AYK 10/16-2,3,4,5

395 200 / Page: 103



ASK 2 S

351 109 / Page: 104



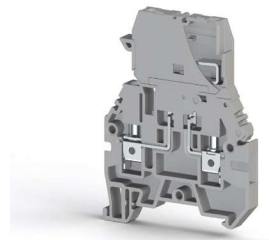
ASK 2 LD

351 219 / Page: 104



ASK 3 M

355 109 / Page: 105



ASK 3 MLD

355 219 / Page: 105



ASK 3 F

354 109 / Page: 106



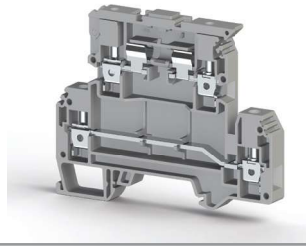
ASK 3 FLD

354 219 / Page: 106



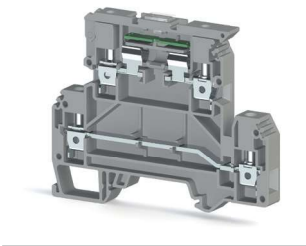
AVK 4 FS

353 309 / Page: 107



AVK 4 FSLD

353 229 / Page: 107



ASK 5

353 409 / Page: 108

ASK 5/NM

315 009 / Page: 199



ASK 5 LD

353 429 / Page: 108

ASK 5 LD/NM

315 019 / Page: 199



Screw Type Fuse Terminals
(American Standards)

ASK 4 S

351 129 / Page: 109



ASK 4 LD

351 719 / Page: 109



PYK Series Terminals

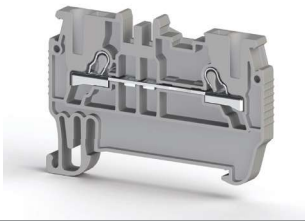
PYK 1,5

307 009 / Page: 116



PYK 1,5 M

307 019 / Page: 116



PYK 2,5

307 109 / Page: 117



PYK 4

307 119 / Page: 117



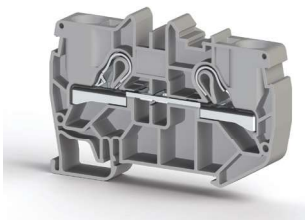
PYK 6

307 129 / Page: 117



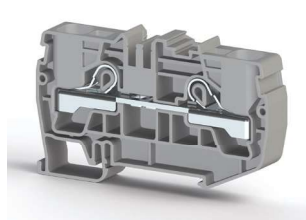
PYK 10

307 139 / Page: 118



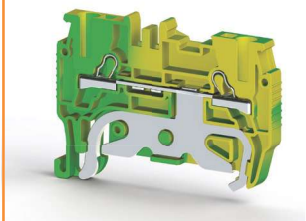
PYK 16

307 659 / Page: 118



PYK 1,5 MT

336 440 / Page: 120



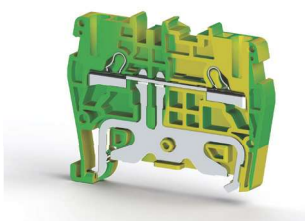
PYK 1,5 T

336 490 / Page: 120



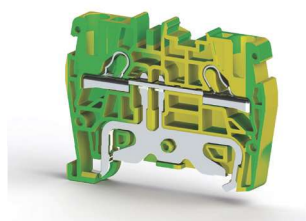
PYK 2,5 T

336 500 / Page: 121



PYK 4 T

336 510 / Page: 121



PYK Series Earth Terminals

PYK 6 T

336 520 / Page: 122



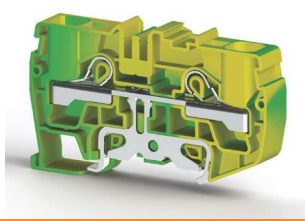
PYK 10 T

336 530 / Page: 122



PYK 16 T

336 640 / Page: 123



PYK Test

498 559 / Page: 123



PYKMR Series Mini Terminals

PYKMR 2,5

307 499 / Page: 124



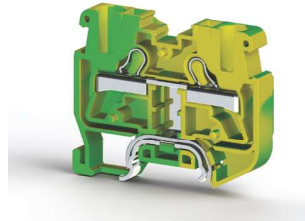
PYKM 2,5

307 399 / Page: 124



PYKM 2,5 T

336 430 / Page: 125



PYK Series Double - Deck
and Multilevel Terminals

PYK 2,5 - M2F

307 699 / Page: 128



PYK 2,5 - M2FT

307 709 / Page: 128



PYK 4 - 2 FN

307 579 / Page: 129



PYK 2,5 - 2 F

307 179 / Page: 129



PYK 2,5 - 2 FK

307 239 / Page: 129



PYK 2,5 - 2 FLD

307 349 / Page: 130



PYK 2,5 - 2 FD A

307 369 / Page: 130



PYK 2,5 - 2 FD B

307 379 / Page: 131



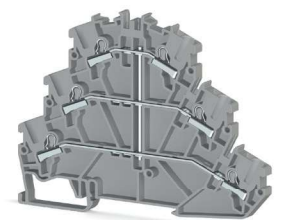
PYK 2,5 - 3 F

307 199 / Page: 132



PYK 2,5 - 3 FK

307 559 / Page: 132



PYK 2,5 - 2 FT

307 189 / Page: 133



PYK 2,5 - 3 FT

307 209 / Page: 133



PYK Series Sensor Terminals

PYK 3 S

307 409 / Page: 136



PYK 3 SLD (NPN)

307 419 / Page: 136



PYK 3 SLD (PNP)

307 429 / Page: 137



PYK Series Fuse and Disconnect
Terminals

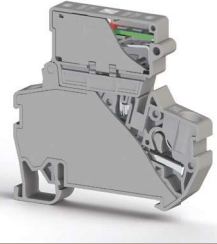
PYK 4 S

307 249 / Page: 138



PYK 4 SLD

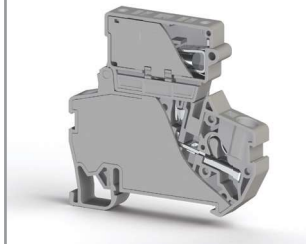
307 259 / Page: 138



PYK Series Fuse and Disconnect
Terminals (American Standard)

PYK 4 I

307 319 / Page: 139



PYK 4 ILD

307 329 / Page: 139



PYK Series Disconnect Terminals

PYK 2,5 A

307 169 / Page: 140



PYK 2,5 EA

307 459 / Page: 140



PYK 2,5 CCA

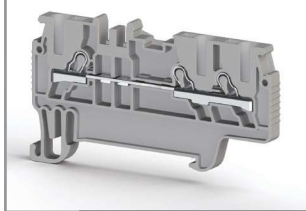
307 219 / Page: 140



PYK Series Multiple Input/Output
Terminals

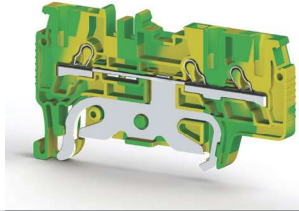
PYK 1,5 ME

307 039 / Page: 142



PYK 1,5 MET

336 460 / Page: 142



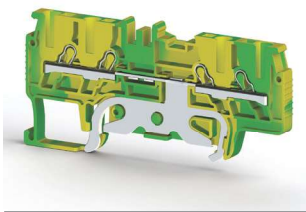
PYK 1,5 MC

307 029 / Page: 143



PYK 1,5 MCT

336 450 / Page: 143



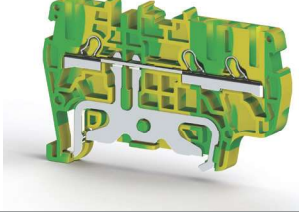
PYK 2,5 E

307 439 / Page: 144



PYK 2,5 ET

336 550 / Page: 144



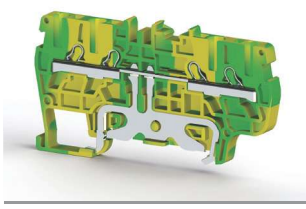
PYK 2,5 C

307 389 / Page: 145



PYK 2,5 CT

336 540 / Page: 145



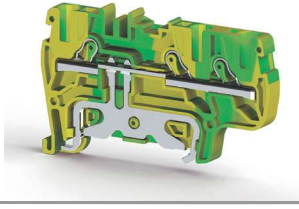
PYK 4 E

307 229 / Page: 145



PYK 4 ET

336 600 / Page: 146

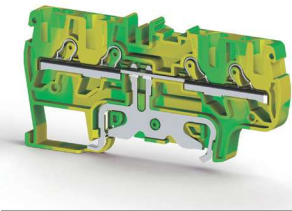


PYK 4 C

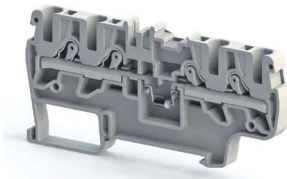
307 669 / Page: 146



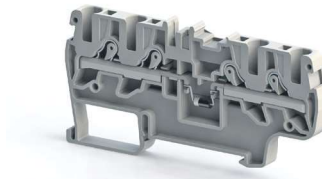
PYK 4 CT
336 610 / Page: 147



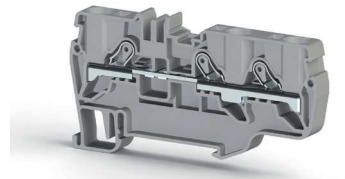
PYK 4 CD-A
336 610 / Page: 147



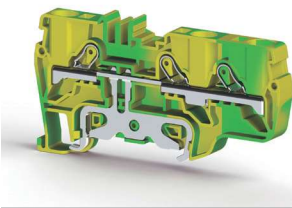
PYK 4 CD-B
336 610 / Page: 147



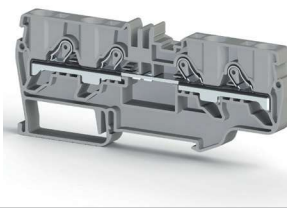
PYK 6 E
307 639 / Page: 148



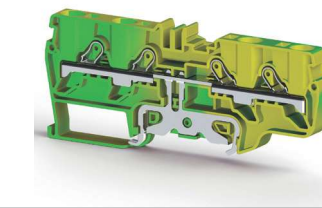
PYK 6 ET
336 620 / Page: 148



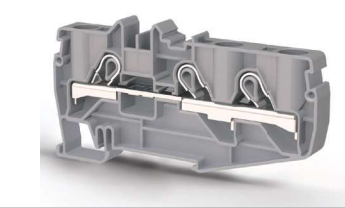
PYK 6 C
307 649 / Page: 149



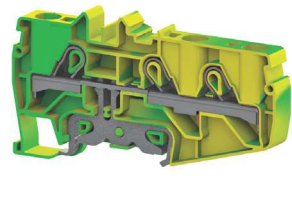
PYK 6 CT
336 630 / Page: 149



PYK 10 E
307 149 / Page: 149

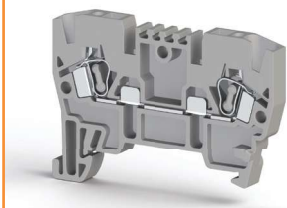


PYK 10 ET
336 650 / Page: 149

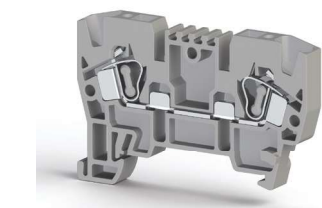


YBK Series Terminals

YBK 2,5
306 229 / Page: 152



YBK 4
306 239 / Page: 152



YBK 6
306 249 / Page: 153

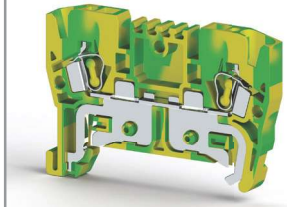


YBK 10
306 259 / Page: 153

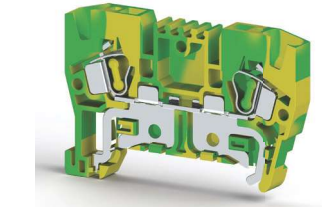


YBK Series Earth Terminals

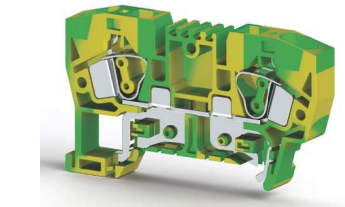
YBK 2,5 T
336 220 / Page: 154



YBK 4 T
336 230 / Page: 154



YBK 6 T
336 240 / Page: 155



YBK 10 T
336 250 / Page: 155

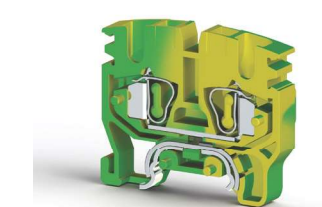


MYK Series Mini Terminals

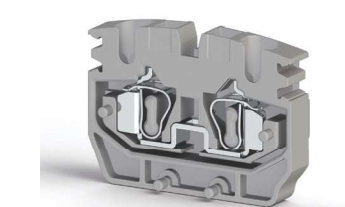
MYK 2,5
306 429 / Page: 156



MYK 2,5 T
336 420 / Page: 156



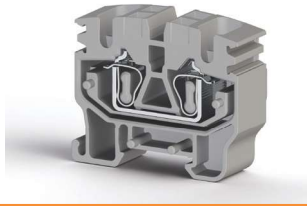
MYPK 2,5
306 439 / Page: 157



MYSK 2,5
306 449 / Page: 157



MYK 2,5 C
306 479 / Page: 158



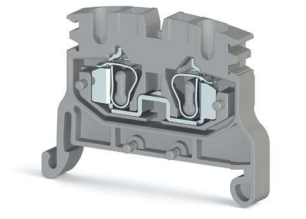
MYPK 2,5 C
306 489 / Page: 158



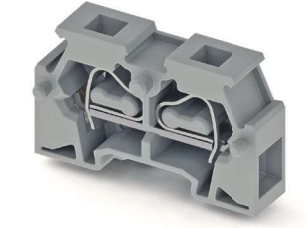
MYKR 2,5 C
306 499 / Page: 159



MYKR 2,5
306 509 / Page: 159



MPK 2,5
306 519 / Page: 159



YBK Series Double - Deck Terminals

YBK 2,5 - 2 F
316 109 / Page: 162



YBK 2,5 - 2 FK
316 129 / Page: 162



YBK 2,5 - 2 FD
316 219 / Page: 163



YBK 2,5 - 2 FLD
316 319 / Page: 163



YBK 4 - 2 F
318 109 / Page: 164



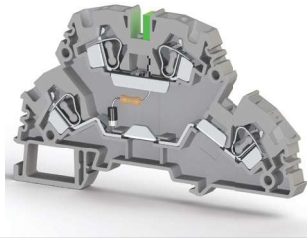
YBK 4 - 2 FK
318 129 / Page: 164



YBK 4 - 2 FD
318 219 / Page: 165



YBK 4 - 2 FLD
318 319 / Page: 165



YBK Series Spring Clamp
Multilevel Terminals

YBK 2,5 - 3 F
324 509 / Page: 166



YBK 2,5 - 2 FT
324 809 / Page: 166



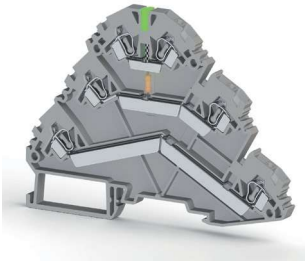
YBK 2,5 - 3 FT
324 609 / Page: 167



YBK 2,5 - 3 FLD (NPN)
324 739 / Page: 167



YBK 2,5 - 3 FLD (PNP)
324 749 / Page: 167



YBK Series Sensor Terminals

YBK 3 S
324 709 / Page: 169



YBK 3 SLD (NPN)

324 719 / Page: 169



YBK 3 SLD (PNP)

324 729 / Page: 169



YBK Series Fuse and Disconnect
Terminals

YBK S

355 119 / Page: 170



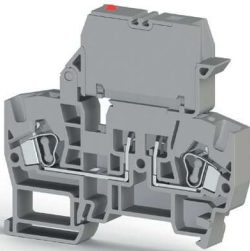
YBK SB

363 109 / Page: 170



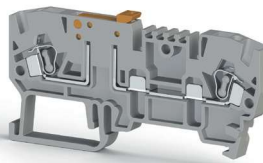
YBK SLD

355 719 / Page: 171



YBK 2,5 A

353 209 / Page: 171



YBK Series Fuse and Disconnect
Terminals (American Standard)

YBK I

355 129 / Page: 172



YBK IB

363 209 / Page: 172



YBK ILD

355 819 / Page: 173



YBK Series Multi Input - Output
Terminals

YBK 2,5 E

326 059 / Page: 175



YBK 2,5 C

326 109 / Page: 175



YBK 2,5 CX2

326 209 / Page: 175



YBK 2,5 CD

326 219 / Page: 176



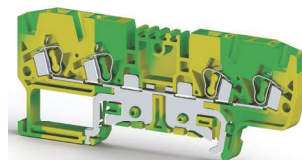
YBK 2,5 CLD

326 319 / Page: 176



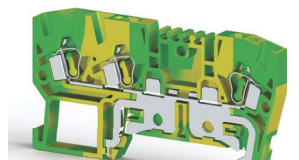
YBK 2,5 CT

336 100 / Page: 177



YBK 2,5 ET

336 110 / Page: 177



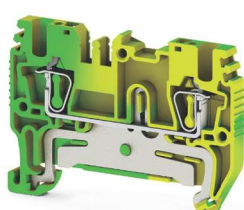
SRD 1,5

311 009 / Page: 206



SRD 1,5 T

337 080 / Page: 206



SRD 1,5 E

310 019 / Page: 207



SRD 1,5 ET

337 090 / Page: 207



SRD Series Terminals

SRD 1,5 C

311 029 / Page: 208



SRD 1,5 CT

337 100 / Page: 208



SRD 1,5 2F

311 049 / Page: 209



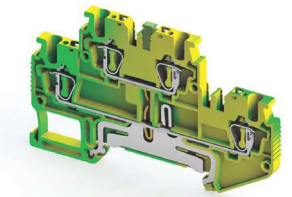
SRD 1,5 FT

311 039 / Page: 209



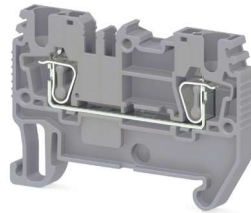
SRD 1,5 2T

337 110 / Page: 209



SRD 2,5

311 059 / Page: 210



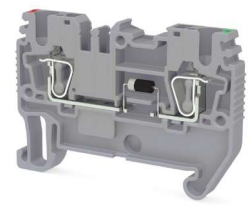
SRD 2,5 D-A

311 069 / Page: 210



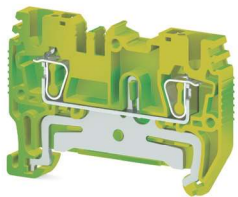
SRD 2,5 D-B

311 09 / Page: 211



SRD 2,5 T

337 120 / Page: 211



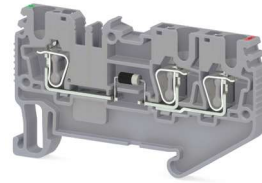
SRD 2,5 E

311 089 / Page: 212



SRD 2,5 ED-A

311 099 / Page: 212



SRD 2,5 ED-B

311 109 / Page: 213



SRD 2,5 ET

337 130 / Page: 213



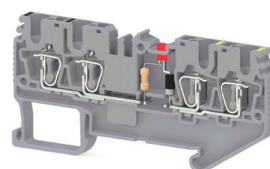
SRD 2,5 C

311 119 / Page: 214



SRD 2,5 CLD-24VAC

311 169 / Page: 214



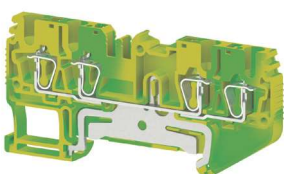
SRD 2,5 Cx2

311 149 / Page: 215



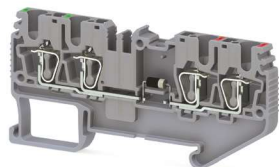
SRD 2,5 CT

337 140 / Page: 215



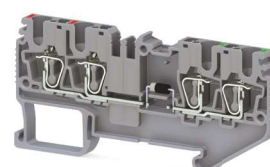
SRD 2,5 CD-A

337 140 / Page: 215



SRD 2,5 CD-B

337 140 / Page: 215



SRD 2,5 AD-A

311 249 / Page: 216



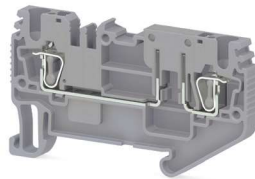
SRD 2,5 AD-B
311 259 / Page: 216



SRD 2,5 A
311 239 / Page: 217



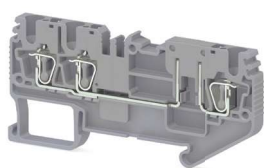
SRD 2,5 AK
311 269 / Page: 217



SRD 2,5 EA
311 279 / Page: 218



SRD 2,5 EAK
311 309 / Page: 218



SRD 2,5 EAD-A
311 289 / Page: 219



SRD 2,5 EAD-B
311 299 / Page: 219



SRD 2,5 CA
311 319 / Page: 220



SRD 2,5 CAK
311 349 / Page: 220



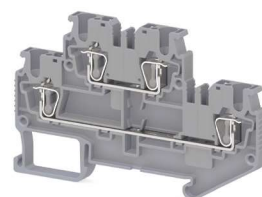
SRD 2,5 CAD-A
311 329 / Page: 221



SRD 2,5 CAD-B
311 339 / Page: 221



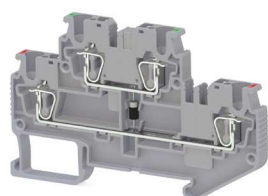
SRD 2,5-2F
311 359 / Page: 222



SRD 2,5_2FD-A
311 369 / Page: 222



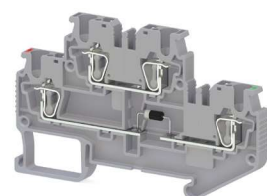
SRD 2,5-2FD-B
311 379 / Page: 223



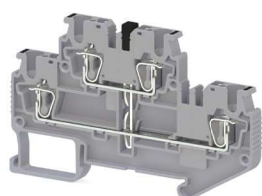
SRD 2,5-2FD-L
311 499 / Page: 223



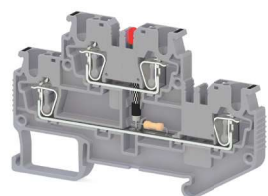
SRD 2,5-2FD-R
311 389 / Page: 223



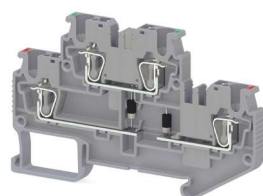
SRD 2,5-2FK
311 519 / Page: 224



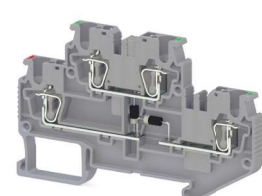
SRD 2,5-2FLD-24VAC
311 409 / Page: 224



SRD 2,5-F2D-A
311 479 / Page: 225



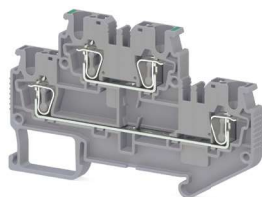
SRD 2,5-F2D-B
311 489 / Page: 225



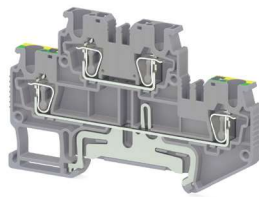
SRD 2,5-F2D-C
311 489 / Page: 225



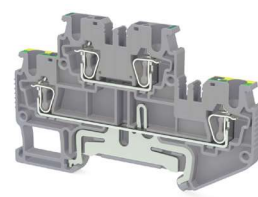
SRD 2,5-FN
311 509 / Page: 226



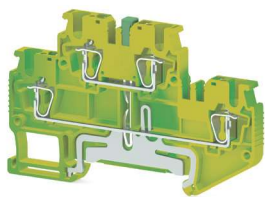
SRD 2,5-FT
311 529 / Page: 226



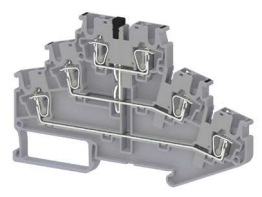
SRD 2,5-NT
311 539 / Page: 227



SRD 2,5-2T
337 150 / Page: 227



SRD 2,5-2KF
311 569 / Page: 228



SRD 2,5-3F
311 549 / Page: 228



SRD 2,5-3FK
311 559 / Page: 229



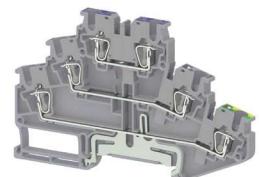
SRD 2,5-3FLD-24VDC
311 579 / Page: 229



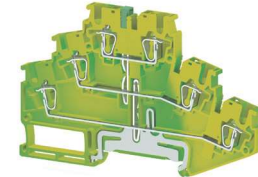
SRD 2,5-2FT
311 619 / Page: 230



SRD 2,5-NFT
311 669 / Page: 230



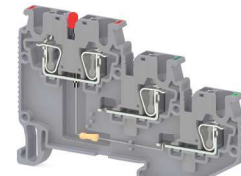
SRD 2,5-3T
337 160 / Page: 231



SRD2,5- 3S
311 629 / Page: 232



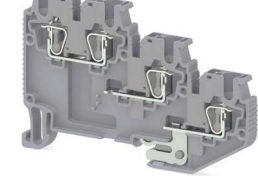
SRD 2,5-3SLD-NPN
311 639 / Page: 232



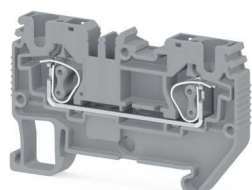
SRD 2,5-3SLD-PNP
311 649 / Page: 233



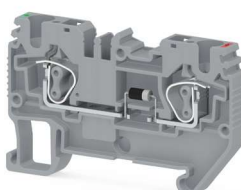
SRD 2,5-2ST
311 659 / Page: 233



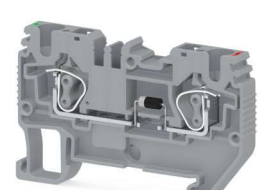
SRD 4
311 679 / Page: 234



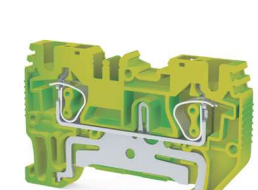
SRD 4 D-A
311 689 / Page: 234



SRD 4 D-B
311 699 / Page: 235

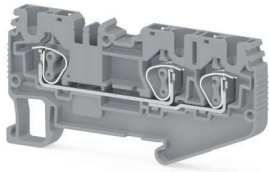


SRD 4 T
337 170 / Page: 235



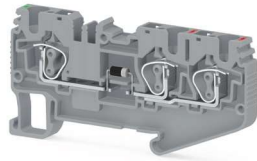
SRD 4 E

311 709 / Page: 236



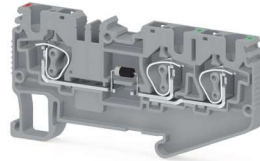
SRD 4 ED-A

311 719 / Page: 236



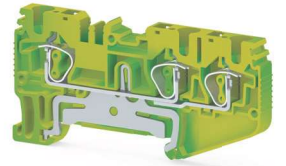
SRD 4 ED-B

311 729 / Page: 237



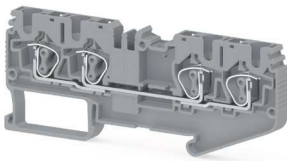
SRD 4 ET

337 180 / Page: 237



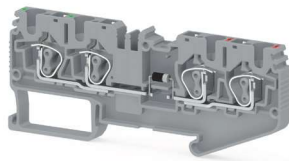
SRD 4 C

311 739 / Page: 238



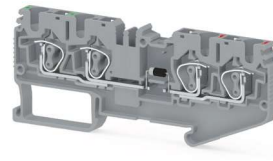
SRD 4 CD-A

311 749 / Page: 238



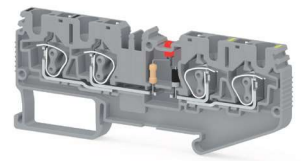
SRD 4 CD-B

311 759 / Page: 239



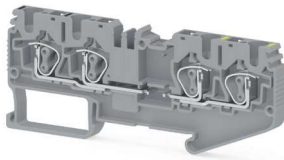
**SRD 4 CLD
24VAC**

311 789 / Page: 240



SRD 4 Cx2

311 769 / Page: 241



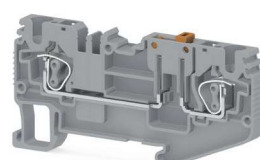
SRD 4 CT

337 190 / Page: 241



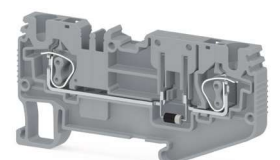
SRD 4 A

311 869 / Page: 242



SRD 4 AD-A

311 879 / Page: 242



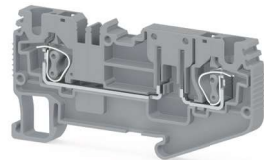
SRD 4 AD-B

311 889 / Page: 243



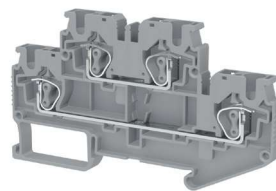
SRD 4 AK

311 899 / Page: 243



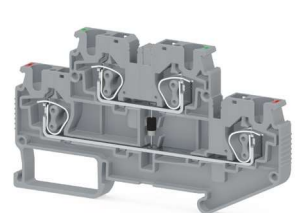
SRD 4-2F

311 909 / Page: 244



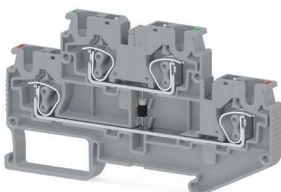
SRD 4-2FD-A

311 919 / Page: 244



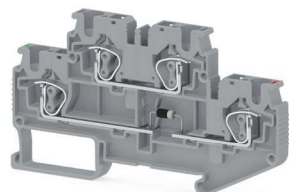
SRD 4-2FD-B

311 929 / Page: 245



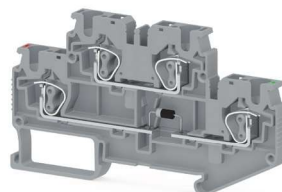
SRD 4-FD-L

312 049 / Page: 245



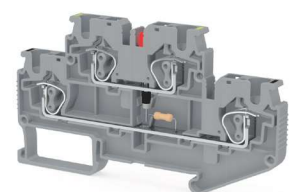
SRD 4-2FD-R

311 939 / Page: 245



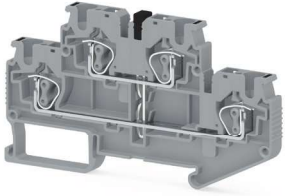
**SRD 4-2FLD
24VAC**

311 959 / Page: 246



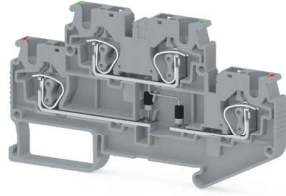
SRD 4-2FK

312 069 / Page: 246



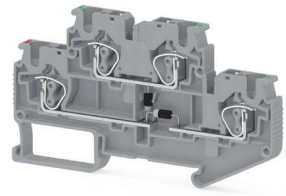
SRD 4-F2D-A

312 029 / Page: 247



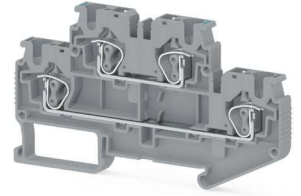
SRD 4-F2D-B

312 039 / Page: 247



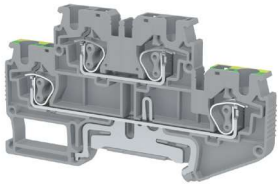
SRD 4-FN

312 059 / Page: 248



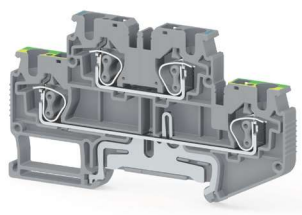
SRD 4-FT

312 079 / Page: 248



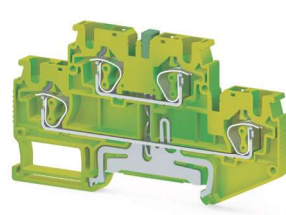
SRD 4-NT

312 089 / Page: 249



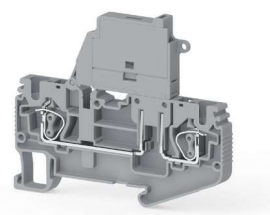
SRD 4-2T

337 150 / Page: 249



SRD 4S

312 119 / Page: 250



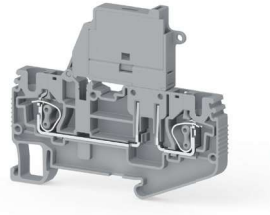
SRD 4 AF

312 099 / Page: 250



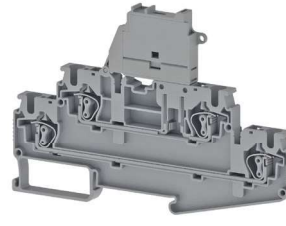
**SRD 4 SLD 24V
AC/DC**

312 139 / Page: 251



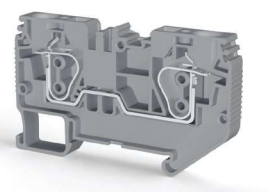
SRD 4 FS

312 259 / Page: 251



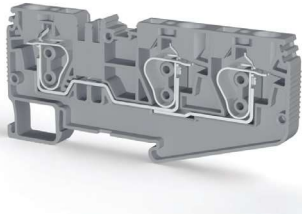
SRD 6

312 199 / Page: 252



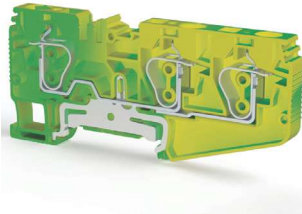
SRD 6 E

312 209 / Page: 252



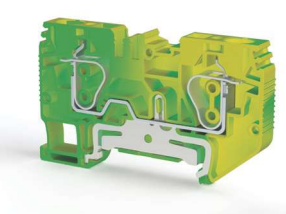
SRD 6 ET

337 220 / Page: 253



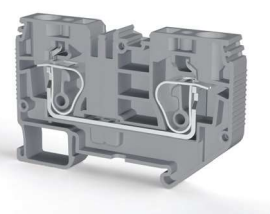
SRD 6 T

337 210 / Page: 253



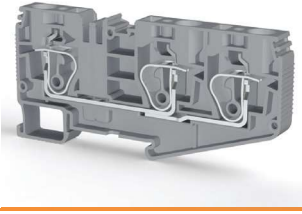
SRD 10

312 219 / Page: 254



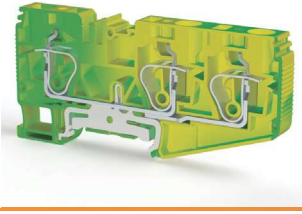
SRD 10 E

312 220 / Page: 254



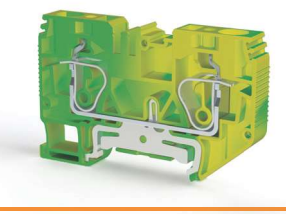
SRD 10 ET

337 240 / Page: 255



SRD 10 T

337 230 / Page: 255



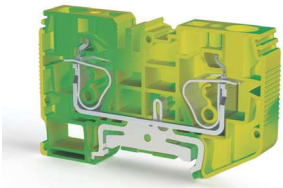
SRD 16

312 239 / Page: 256



SRD 16 T

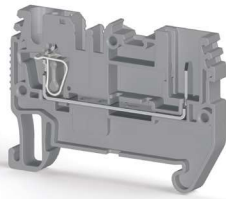
337 250 / Page: 256



StoP Series Terminals

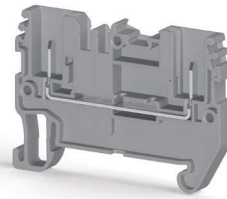
CTP 2.5

310 129 / Page: 260



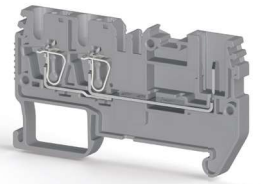
PTP 2.5

310 109 / Page: 260



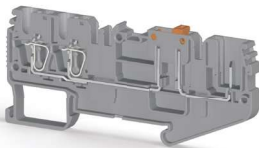
CTP 2.5 E

310 139 / Page: 261



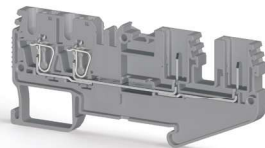
CTP 2.5 EA

310 159 / Page: 261



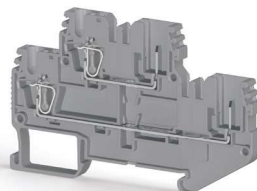
CTP 2.5 C

310 149 / Page: 261



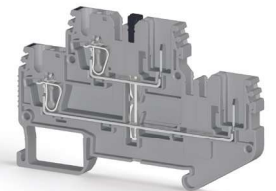
CTP 2.5-2F

310 169 / Page: 262



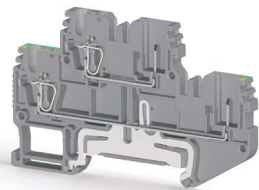
CTP 2.5-2FK

310 179 / Page: 262



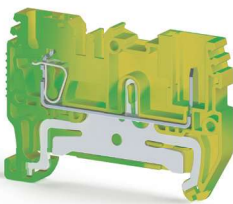
CTP 2.5-FT

310 189 / Page: 263



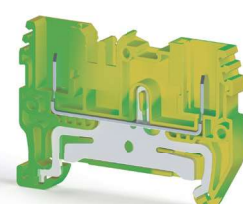
CTP 2.5 T

337 070 / Page: 263



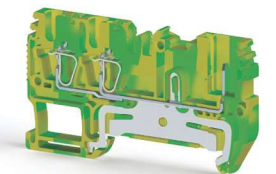
PTP 2.5 T

337 020 / Page: 263



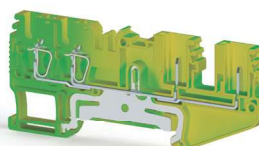
CTP 2.5 ET

337 050 / Page: 264



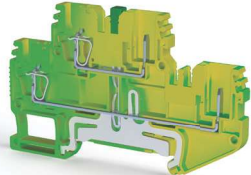
CTP 2.5 CT

337 060 / Page: 264



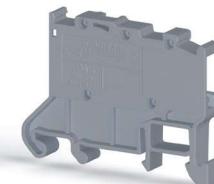
CTP 2.5 2T

337 070 / Page: 264



SC-PTR 2.5

310 949 / Page: 265



SC-PT 2.5

310 929 / Page: 265



SC-PTS 2.5

310 939 / Page: 265



SG-PT 2.5

310 209...379 / Page: 266



SG-PT 2.5 CS

310 389...559 / Page: 266



SG-PT 2.5 AN

310 749...919 / Page: 267



SG-PT 2.5 DB
310 569...739 / Page: 267

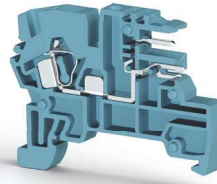


Terminal Blocks for PCB Connectors

PCY 2,5
364 019 / Page: 272



PCY 2,5 N
364 080 / Page: 272



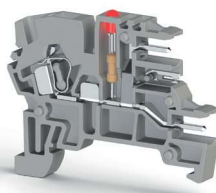
PCY 2,5 E
364 059 / Page: 273



PCY 2,5 L
364 029 / Page: 273

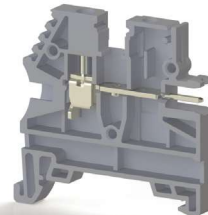


PCY 2,5 EL
364 069 / Page: 273

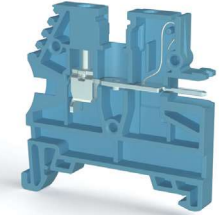


Screw Type Terminal Blocks for PCB Terminals

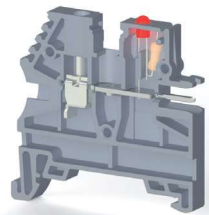
AVK 2,5 PC
304 610 / Page: 274



AVK 2,5 PCN
304 621 / Page: 274



AVK 2,5 PCLD 24VDC
304 630 / Page: 275



Transformer Terminals Blocks

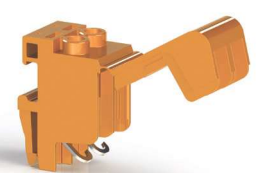
TRV 4
422 017 / Page: 276



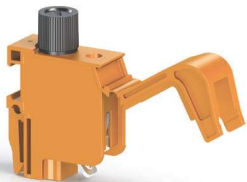
TRV 4 B
422 057 / Page: 276



TRV 4 M
422 047 / Page: 277



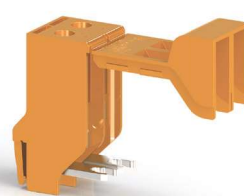
TRV 4 S
422 027 / Page: 277



TRV 4 T
422 060 / Page: 277



TRV 10
422 037 / Page: 277



Hand Tools

CRIMPER 6
562 113 / Page: 357



CRIMPER F 10 R
562 125 / Page: 357



CRIMPER F 10 L
562 126 / Page: 357



CRIMPER N 16 H
562 124 / Page: 357



CRIMPER N 16 L
562 117 / Page: 357



CRIMPER N 50 L

562 119 / Page: 358



CRIMPER IT 6 S

562 120 / Page: 358



STRIPPER 16

562 114 / Page: 358



STRIPPER 28 C

562 123 / Page: 358



CUTTER 16

562 110 / Page: 359



CUTTER 32

562 122 / Page: 359



HAND TOOLS SET

562 128 / Page: 359



KKMR

553 230 / Page: 360



KMK 1002

553 220 / Page: 360



KRKM

500 650 / Page: 360



KT-D16

561 130...170 / Page: 360



IKT-D16

561 210...260 / Page: 360



KK12

561 110...120 / Page: 360



Terminal Blocks

Terminal blocks are components and systems the main function of which is to ensure safe and secure electrical and mechanical conductor connections. The term covers all conceivable types, designs and forms of connection. From the application point of view, the most important group of terminals is that of rail mounted modular terminal blocks.

- The current carrying bar must be made of metals which reduce electrical losses to minimum.
- Insulation material must be nonflammable and self extinguishing.
- The screw must not be loosed due to vibration.
- The current carrying bar must have such a form that the conductor has a strong contact area in the connection point.

The terminal block series should have a complete range together with all the accessories to provide the best solutions in an ideal area.



Connection Systems

SCREW CONNECTION

This is the most popular of all known methods of connection. Screw connection refers to any connection in which the conductor is stripped of its insulation and clamped without any special preparation. Klemsan screw clamp system is built in protection against loosening.

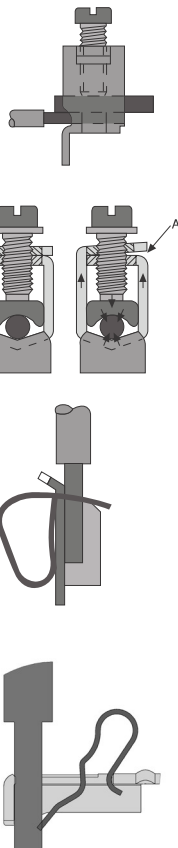
When the screw is tightened, the resultant pressure pulls apart both halves of the clamping yoke. This generates a particularly high locking action on the screw. These clamping systems provide excellent vibration resistance.

SPRING CLAMP SYSTEM

The stainless steel spring presses the conductor directly against the current bar. Due to the special construction of the clamping body, the contact force is further increased when pulling the conductor.

PRACTICAL SPRING CLAMP SYSTEM

In addition to spring clamp system, with practical technology, there is no need to use a screwdriver, cable is connected to the terminal by just pushing in.



Materials

KLEMSAN terminals are made of selected standard materials. Insulating materials, clamping and conducting metals are subjected to strict quality control as required by stringent international standards.

Clamping yokes and screws are zinc plated which considerably increases the resistance to corrosion. Current bars are made out of brass / electrolytic copper. Coating of tin / lead oxide, nickel while ensuring surface protection guarantees very low contact resistance.

Engineering thermoplastic Polyamide 6.6 has excellent electrical, mechanical and chemical characteristics even at temperatures as high as 100 °C and contain no cadmium based color pigments. Polyamide 6.6 moulded housing absorbs humidity from its surroundings. This makes the plastic material elastic and fracture proof even at temperatures as low as -40 °C. Being a self extinguishing material it is difficult to ignite and burns only as long as there is a longlasting supporting flame. It is rated V0 or V2 according to UL94. Good aging resistance and insensitivity to ultraviolet light makes it suitable for tropical and open air applications.

Main Terminology

Modular Terminal Blocks: Modular terminal blocks are used worldwide. Whether they be in distribution boards, control centers or machine control systems, in ships, power stations or railway rolling stock, Klemsan terminals guarantee safe connections in all low voltage installations. In view of this versatile and worldwide application, the materials used and the technical data achieved meet the highest quality standard. Approvals have been obtained from all major industrial countries.

Rated Cross-Sec.: The rated Cross-Sec. of a terminal block is a value of conductor Cross-Sec. which is indicated by the manufacturer and covered by the thermal, mechanical and electrical requirements.

Rated Current: The rated current of a terminal block is a current value which is indicated by the manufacturer and covered the thermal, mechanical and electrical requirements on using the rated Cross-Sec..

The Rated Voltage: The rated voltage of a terminal block is a voltage value which is stated by the manufacturer according to creepage and clearance distances and which does not allow any deformation on product.

Nominal Dimensions: Nominal dimensions are the overall dimensions of the terminal block with fixings, but without tolerances. To the specified terminal with a tolerance of +0.2 mm. must be allowed during design when mounting in rows.

Insulation Stripping Length: The required stripping length for every Klemsan product is stated in mm. These lengths must be observed.

End Plate: The last terminal in a rail mounted assembly must be closed with an end plate. The end plate is held in position by the end bracket.

Partition: The partition is required for the visual separation of circuits or for electrical separation in case of adjacent cross connections.

Small Partition: Small partitions can be inserted after assembly into terminal blocks of up to a Max. thickness of 10 mm. between cross connections and test sockets.

Conductors

Aluminum and copper conductors are used for the connection of terminals, but copper conductors are used more frequently. These conductors are divided into two main categories.

- 1- Rigid conductors
 - a- Solid strand
 - b- Knitted conductors

2- Fine Strand

Conductor cross sections are distinguished as metric and American standards.

Metric mm ²	American AWG / kcmil	Equivalent Cross-Sectional area mm ²
0,2	24	0,205
0,34	22	0,324
0,5	20	0,519
0,75	18	0,82
1	-	-
1,5	16	1,3
2,5	14	2,1
4	12	3,3
6	10	5,3
10	8	8,4
16	6	13,3
25	4	21,2
35	2	33,6
50	0	53,5
70	00	67,4
95	000	85
-	0000	107,2
120	250 kcmil	127
150	300 kcmil	152
185	350 kcmil	177
240	500 kcmil	253
300	600 kcmil	304

AWG : (American Wire Gauge) American standard of measure

1 kcmil : 1000 cmils

1 cmil : (1 circular mil) the area of a circle with a Width of one mil

1 mil : 1/1000 inch

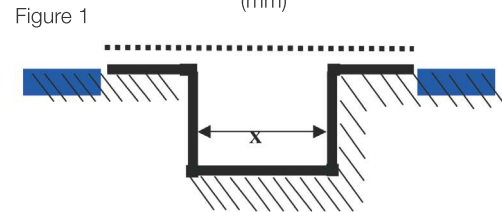
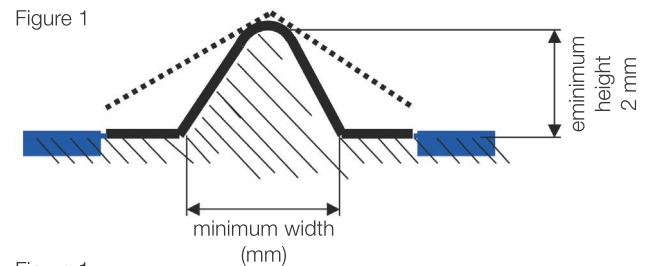
Clearance and Creepage Distances

If the corresponding clearance distance is less than 3 mm, the smallest groove width may be reduced to 1/3 of this clearance distance.

The measuring methods of clearance and creepage distances are revealed in IEC 60947-1 EK G. Projections decrease the creepages with a high level. Therefore, the clearance which has a projection higher than 2mm can be decreased with 80 percent. (FIGURE 1).

Klemsan terminals has pollution degree 3 according to IEC 60947-1 standart. "Conductive pollution or dry, non-conductive pollution occurs liable to be rendered conductive through anticipated moisture condensation."

Degree of Soiling	Minimum Width "x" in mm
1	0,25
2	1,0
3	1,5
4	2,5



- Clearance distances
- Creepage distances

Pollution Severities

Pollution Severity is a classification of environmental conditions under which a terminal block operates.

It is not the atmosphere in a terminal block which determines the isolation performance, but it is creepage distance and micro environment of clearance distance which do this. Microenvironment can be better or worse compared to the atmosphere operated in.

There are 4 identified degrees of microenvironment pollution in evaluating creepage and clearance distances.

Pollution Severity 1:

No pollution or only dry and non-conductive pollution

Pollution Severity 2:

Only non-conductive pollution at a normal level. Besides there may be short-time pollution due to the condensation occurring occasionally

Pollution Severity 3:

Either conductive or dry and non-conductive pollution occurring due to the condensation

Pollution Severity 4:

Permanent pollution occurring due to conductive dust, rain or snow.

Isolation Material Groups

Material groups are classified in line with the creepage distance indices (CTI) as shown below:

- Material group I $600 \leq CTI$
- Material group II $400 \leq CTI < 600$
- Material group IIIa $175 \leq CTI < 400$
- Material group IIIb $100 \leq CTI < 175$

Specified CTI values directly affect the creepage distances. Below are the distances as regards to some voltage values

Distances are in mm.	Pollution Severity 3			
	Material Group			
Rated Voltage Value (V)	I	II	III A	III B
400	5	5,6	6,3	6,3
500	6,3	7,1	8	8
630	8	9	10	10

Protection Types

PE CONDUCTOR: The conductor with Earthing protection only. Mounting rails may be used as protective conductor busbars, provided that the values specified in below table for thermal short-time withstand current and thermal rated current are not exceeded.

Rail Profile	Material	Equivalent E.Cu Cross-Sec. (mm ²)	Short time withstand current (A)	Thermal rated current of a PEN busbar (A)
MR 15 x 5,5	Steel	10	1,2	-
	Copper	25	3	101
	Aluminum	16	1,92	76
G - Type Rail / MR 32	Steel	35	4,2	-
	Copper	120	14,4	269
	Aluminum	70	8,4	192
MR 35 x 7,5	Steel	16	1,92	-
	Copper	50	6	150
	Aluminum	30	4,2	125
MR 35 x 15	Steel	50	6	-
	Copper	150	18	309
	Aluminum	95	11,4	232

Pen Conductor : The conductor that functions as both protection and neutral conductor. Steel busbar or Steel Rails cannot be used as PEN conductor.

Torque Values of Fastening

In screw type terminals torque values are important. If the connector is tightened less than the required value, resistance and heating would appear. On the contrary, when extreme force is applied during fastening, the molecular structure of the metal would distort and heating could appear in conclusion. Therefore, if the nominal torque values obtained by IEC are applied, the probable risks would be eliminated.

Torque values based on IEC 60947-1 Table 4; Screw Width Values (mm)	Torque (Nm)		
	I	II	III
Screws with Widths smaller than 1.6 mm	0,005	0,1	0,1
1,6 - 2	0,1	0,2	0,2
2 - 2,8	0,2	0,4	0,4
2,8 - 3	0,25	0,5	0,5
3 - 3,2	0,3	0,6	0,6
3,2 - 3,6	0,4	0,8	0,8
3,6 - 4,1	0,7	1,2	1,2
4,1 - 4,7	0,8	1,8	1,8
4,4 - 5,3	1,2	2	2
5,3 - 6	2,5	2,5	3
6 - 8	-	3,5	6
8 - 10	-	4	10
10 - 12	-	-	14
12 - 15	-	-	19
15 - 20	-	-	25
20 - 24	-	-	36
Screws with Widths bigger than 24 mm	-	-	50

COLUMN I Applied to the headless screws fixing in the cavity and other screws which cannot fastened by screw-drivers.

COLUMN II Applied to all screws fastened by screw-drivers.

COLUMN III Applied to screws and nuts fastened by other devices.

Ref: IEC 60947-1/ IEC 60999-1

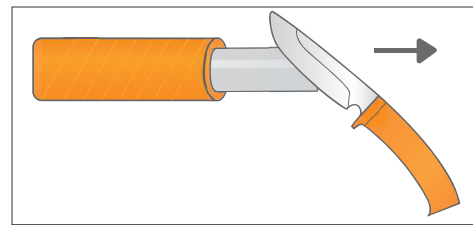
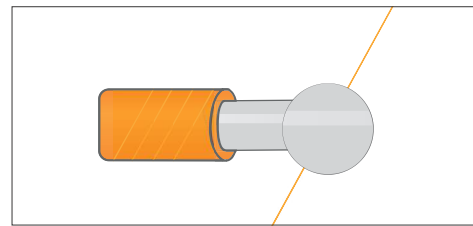
Klemsan apply security tests to its screw-type terminals with doubled values of IEC torque standards.

Precautions For Aluminium Cable Usage In Klemsan Terminal Blocks

- Precautions against oxidation should be taken while using aluminium cables.
- There are several special products against oxidation, however the most practical and easy solution is using vaseline.
- Application of vaseline on the stripped parts of the aluminium cables that contacting the terminal block, will prevent oxidation.

Otherwise, the bare cable ends contacts the air and will start a rapid oxidation in the terminal block. Voltage values will drop consequently

- If cutting the oxidized cable end is not needed, the oxide layer can be cleaned manually with a knife carefully to not affect the cable cross-section.
- Vaseline is applied to the surfaces after the cleaning process.



- Aluminium cables are not flexible as copper cables, therefore they are mostly in solid and stranded form.
- While using aluminium cables, especially the stranded types, conductive materials should be carefully watched against braking and cracking.

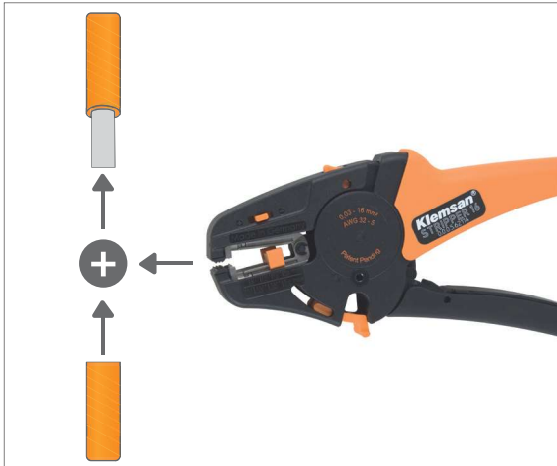
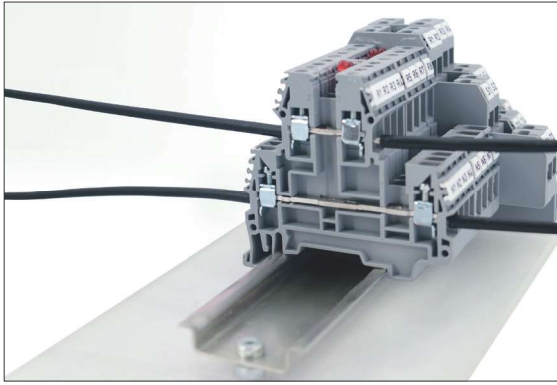
Otherwise, the cross-section of the cable will decrease and terminal temperatures will increase as a result.

Conductivity rates of aluminium cables are lower than copper cables.

- Rated current values indicated in the terminal block data sheets should **not** be considered while using aluminium cables.

While using aluminium cables, the current rate indicated for copper cables should be multiplied by 0.7, the result will give the maximum current value which should not be exceeded unless otherwise indicated.

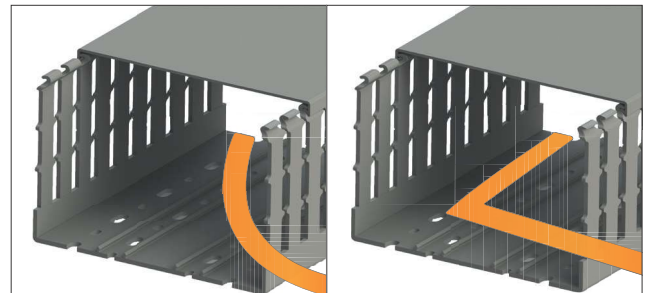




- Maximum torque values indicated in the technical specifications should not be exceeded while using aluminium cables.
- Users should check the tightening process every other day according to the torque values indicated in terminal block data sheets and make sure that the screws are correctly tightened in the given maximum torque value.
- Aluminium cables get softer in time and this cause the connection loose. Connections should be checked regularly as indicated above
- Stripping lengths indicated in the terminal block data sheets are quite important especially for aluminium cable connections.
- Aluminium cables without insulation can easily become oxidized.

- Narrow curves or corners should be avoided while using aluminium cables within panels and wiring ducts, wiring ducts corners should be as wide as possible.

Otherwise, risks of cable braking, bending or cracking possibilities will increase.



↑
CORRECT ANGLE

↑
WRONG ANGLE



- It is recommended to use Al/Cu type insulated cable terminals with stranded aluminium cables.

Terminal Suffix Descriptions

Suffix	Explanations
A	Disconnect (Knife Edge)
AN	Angled
ASK B	Busbar (Glass Fuse Size) Disconnection
AVK B	Busbar Power Terminals
AVK PB	Panel Surface Mounting Terminals
C&CC	2 Input 2 Outputs
CPB	Fork Type Terminals
CS	Cross Connection (for StoP and SRD series)
CTP	Clamp to Pin
D	Diode
D	Direct-Feed through (for WGO types)
E&CE	1 Input 2 Outputs
F	Floor
FB	Socket type busbar disconnection
K	Inner Bridge
LD	LED+Diode
M	Mini
MB	Hinge type busbar disconnection
N	New
NM	New Material, *V0 flammability rating*
PB	Ring Type Terminals
PIK	Two Floor Screw Type Terminals
PTP	Pin to Pin
PUK	Three Floor Screw Type Terminals
PV	Photovoltaic
R&RD	Redesign
S	Glass Fuse Type (empty)
S	Sensor (PUK 3S-3SLD,PYK 3S-3SLD,YBK 3S-3SLD)
SC-PTR	Female-Rail Mounted
SC-PTS	Female-Panel Surface Mounted
SG-PT	Male
SKT	Socket
SKTD	Socket with diode
SRD	Spring Redesign
StoP	Spring to Pin
T&TK	Earth Terminals

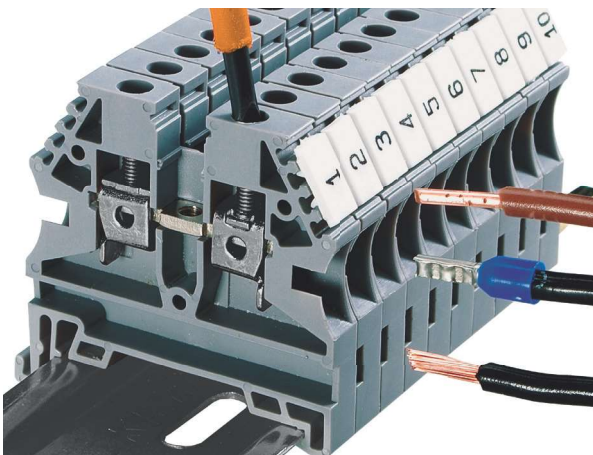
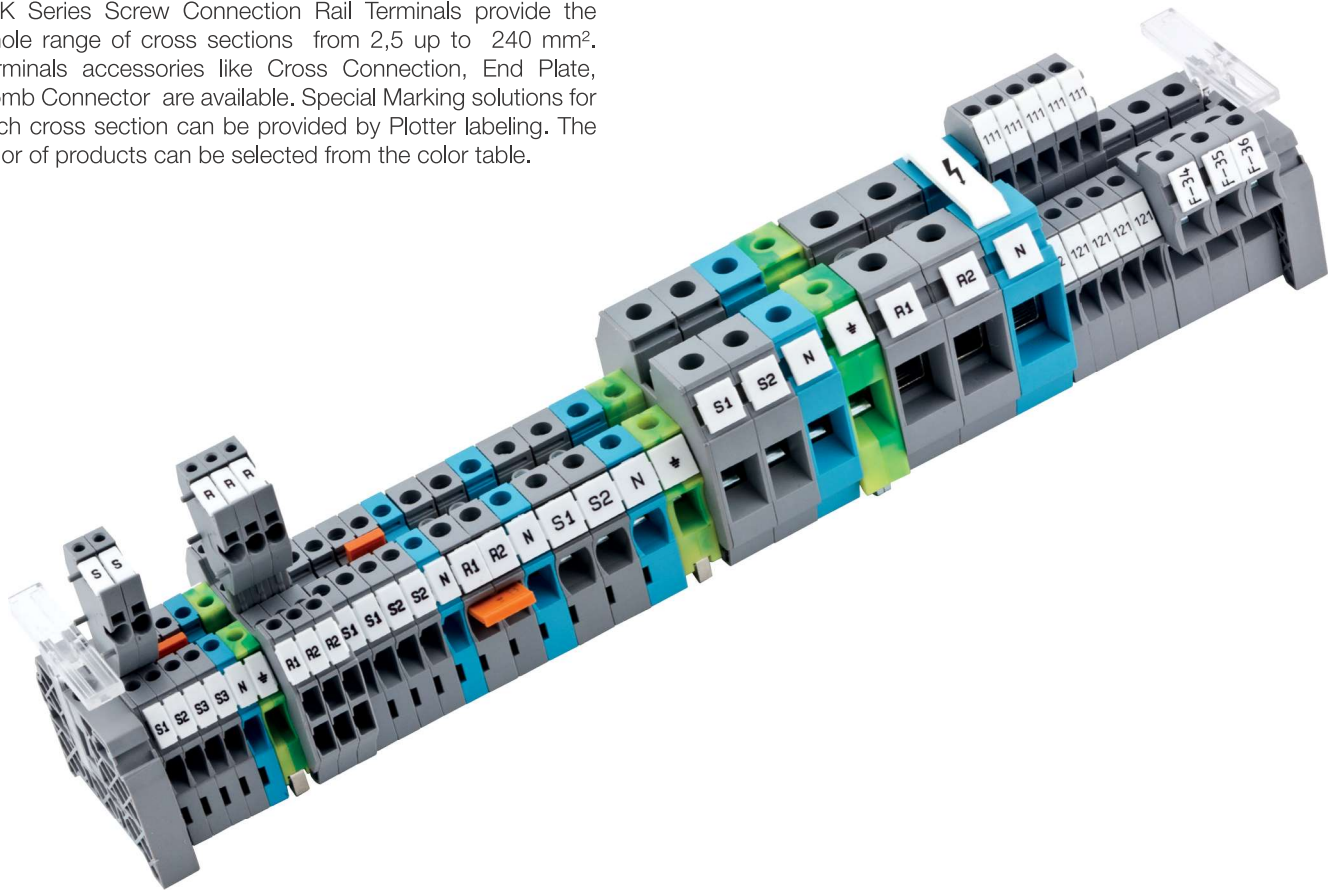
Klemsan Screw Type V0 Product

Cat.No.	Type	Color	Pcs.
SCREW TYPE TERMINALS			
309 001	AVK 2.5/NM	Blue	100
309 009	AVK 2.5/NM	Grey	100
309 159	AVK 2.5 RD/NM	Grey	100
309 011	AVK 4/NM	Blue	100
309 019	AVK 4/NM	Grey	100
309 169	AVK 4 RD/NM	Grey	100
309 021	AVK 6/NM	Blue	100
309 029	AVK 6/NM	Grey	100
309 031	AVK 10/NM	Blue	100
309 039	AVK 10/NM	Grey	100
309 051	AVK 16RD/NM	Blue	50
309 059	AVK 16RD/NM	Grey	50
309 071	AVK 35 RD/NM	Blue	40
309 079	AVK 35 RD/NM	Grey	40
309 089	AVK 35 RDS/NM	Grey	50
309 099	AVK 35I RDS/NM	Grey	50
309 149	AVK 240/NM	Grey	4
309 179	AVK 4A/NM	Grey	50
SCREW TYPE EARTH TERMINALS			
341 010	AVK 2.5-4TK/NM	Yellow / Green	50
341 020	AVK 6TK/NM	Yellow / Green	25
341 030	AVK 10TK/NM	Yellow / Green	25
341 040	AVK 16TRD/NM	Yellow / Green	50
341 050	AVK 35T RD/NM	Yellow / Green	40
341 060	AVK 35 TRDS/NM	Yellow / Green	25
341 090	AVK 2,5T RD/NM	Yellow / Green	50
341 100	AVK 4T RD/NM	Yellow / Green	50
DOUBLE DECK TERMINALS			
309 189	PIK 2,5N/NM	Grey	20
309 199	PIK 2,5NK/NM	Grey	20
309 229	PIK 2,5 NLD/NM 24 VAC	Grey	20
309 239	PIK 2,5 NLD/NM 24 VDC	Grey	20
309 249	PIK 2,5 NLD/NM 48 VAC	Grey	20
309 259	PIK 2,5 NLD/NM 48 VDC	Grey	20
309 269	PIK 2,5 NLD/NM 110 VAC	Grey	20
309 279	PIK 2,5 NLD/NM 110 VDC	Grey	20
309 289	PIK 2,5 NLD/NM 220 VAC	Grey	20
309 299	PIK 2,5 NLD/NM 220 VDC	Grey	20
309 309	PIK 4N/NM	Grey	100
309 319	PIK 4NK/NM	Grey	20
309 349	PIK 4NLD/NM 24 VAC	Grey	20
309 359	PIK 4NLD/NM 24 VDC	Grey	20
309 369	PIK 4NLD/NM 48 VAC	Grey	20
309 379	PIK 4NLD/NM 48 VDC	Grey	20

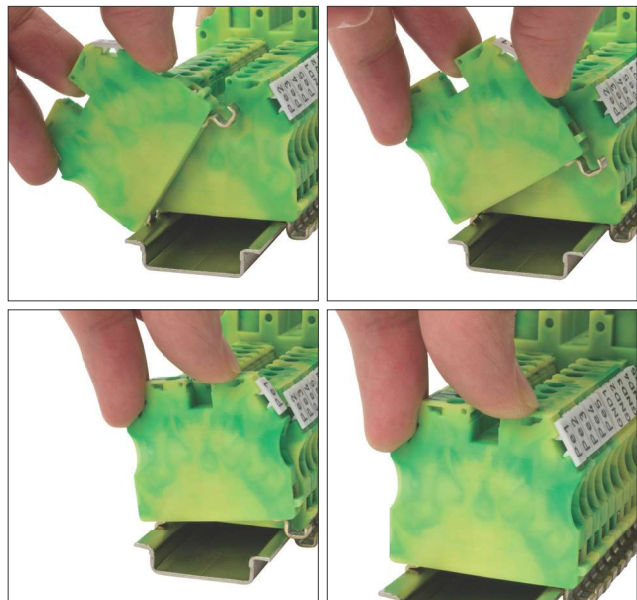
Cat.No.	Type	Color	Pcs.
309 389	PIK 4NLD/NM 110 VAC	Grey	20
309 399	PIK 4NLD/NM 110 VDC	Grey	20
309 409	PIK 4NLD/NM 220 VAC	Grey	20
309 419	PIK 4NLD/NM 220 VDC	Grey	20
309 429	PIK 2,5RD/NM	Grey	100
309 439	PIK 2,5RDK/NM	Grey	100
309 449	PIK 4RD/NM	Grey	100
309 459	PIK 4RDK/NM	Grey	20
315 049	PIK 2,5ND-A/NM	Grey	20
315 059	PIK 2,5ND-B/NM	Grey	20
315 069	PIK 4ND-A/NM	Grey	20
315 079	PIK 4ND-A/NM	Grey	20
MULTILEVEL TERMINALS			
309 469	PUK 2T/NM	Grey	20
309 479	PUK 3/NM	Grey	20
309 489	PUK 3T/NM	Grey	20
309 499	PUK 3S/NM	Grey	20
309 509	PUK 3SLD/NM 24 VDC NPN	Grey	20
309 519	PUK 3SLD/NM 24 VDC PNP	Grey	20
FUSE TERMINALS			
315 009	ASK 5/NM	Grey	50
315 019	ASK 5LD/NM 24V (Nonpolarity)	Grey	50
315 029	ASK 5LD/NM 110V (Nonpolarity)	Grey	50
315 039	ASK 5LD/NM 220V (Nonpolarity)	Grey	50
TEST AND DISCONNECT TERMINALS			
309 529	WGO 3/NM Without Socket	Grey	50
309 539	WGO 3/NM One Socket	Grey	50
309 549	WGO 3/NM Double Socket	Grey	50
309 559	WGO 3/NM One Test Socket	Grey	50
309 569	WGO 3/NM Double Test Socket	Grey	50
309 579	WGO 4/NM Without Socket	Grey	50
309 589	WGO 4/NM	Grey	50
309 609	WGO 6/NM	Grey	50
309 619	WGO D6/NM	Grey	50
308 069	WGO-PB6/NM	Grey	50
308 079	WGO-PBD6/NM	Grey	25
PB SERIES TERMINALS			
308 009	PB 6/NM	Grey	40
308 019	PB 6K/NM	Grey	40
308 029	PB 2.5/NM	Grey	45
308 039	PB 2.5K/NM	Grey	45
308 049	PB 25_M5/NM	Grey	10
308 059	PB 25_M6/NM	Grey	10
337 000	PB 6T/NM	Yellow / Green	40
337 010	PB 2.5T/NM	Yellow / Green	45

AVK Series Terminals

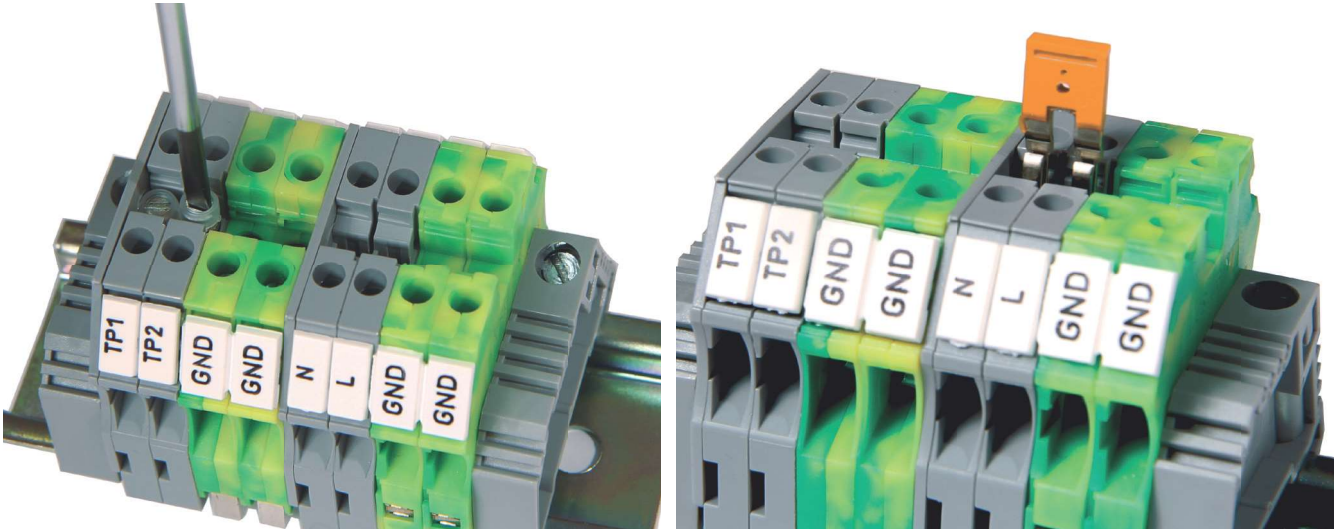
AVK Series Screw Connection Rail Terminals provide the whole range of cross sections from 2,5 up to 240 mm². Terminals accessories like Cross Connection, End Plate, Comb Connector are available. Special Marking solutions for each cross section can be provided by Plotter labeling. The color of products can be selected from the color table.



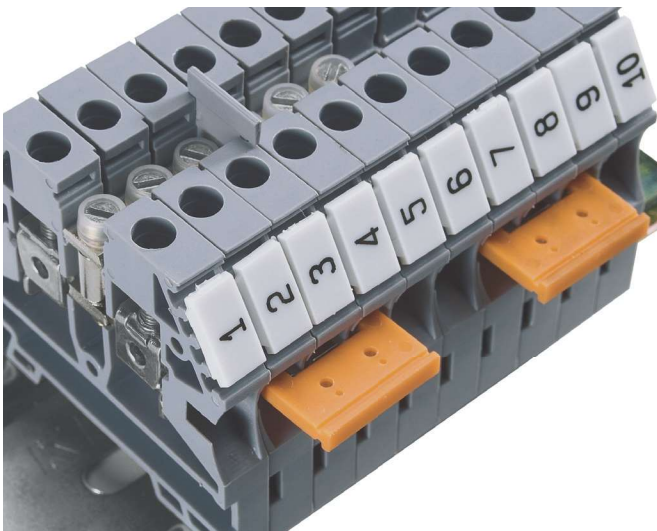
You can safely connect solid and stranded cables with ferrules and also you can use stranded cables without ferrule.



AVK RD series earth terminal blocks provide easy and screwless installation on the rail.



Thanks to push-in type jumpers, AVK RD series 2.5 and 4 mm² cross section feed-through terminal blocks can be cross connected easier and faster way. AVK 2.5 R and AVK 4 R terminals blocks are suitable for double line push-in cross connection, also suitable for strip label.



AVK 2.5 - 4,0 - 6,0 - 10,0 mm² range has the same height and length so that, one type of end plate and partition plate can be used.

You can also use comb type cross connection with AVK series terminal blocks in 2.5 - 4 - 6 - 10 mm² cross sections. All AVK series terminal blocks have special marking solutions for your projects.

FEATURE OF AVK EARTH TERMINAL BLOCKS

Screw type earth terminal blocks can meet all important IEC requirements, such as low contact resistance, corrosion-resistant of connection points, secure screws etc. between 2.5 mm² - 50 mm² cross section options.

Yellow-green (mixed commando) body color is easily distinguishable from other terminal blocks. They do not cause visual problems when they are mounted side by side on the rail, because they are equal in size with the feed-through terminal block in the same cross section.

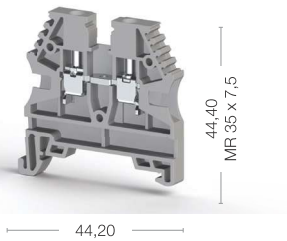
EASY RAIL MOUNT AND ASSEMBLY

AVK RD series earth terminal blocks provide easy and screwless installation on the rail. For this reason, they are fast and economical, compared to standard screw type earth terminal blocks.

AVK Series Terminals

AVK 2,5

Width: 5 mm

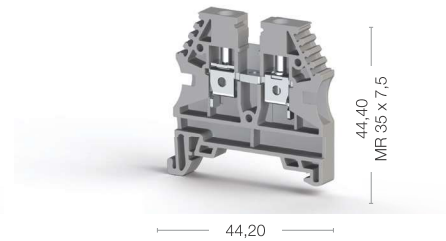


Cat No:

- 304 120RP
- 304 129RP

AVK 4

Width: 6 mm



Cat No:

- 304 130RP
- 304 139RP



Electrical Ratings
CE (EN 60947-7-1)
UL - CuLus
VDE (IEC 60947-7-1)
CSA
ATEX

Voltage, V ~	Current, A	Cross-Section
750	24	2,5 mm ²
600	20	AWG 26-12
750	24	2,5 mm ²
600	20	AWG 28-12
630	20	0,5-2,5 mm ²

Voltage, V ~	Current, A	Cross-Section
750	32	4 mm ²
600	30	AWG 26-10
750	32	4 mm ²
600	30	AWG 28-10
630	27	0,5-4 mm ²

Connection Data
Conductor cross section solid (min-max.)
Conductor cross section stranded (min-max.)
2 conductors with same cross section, stranded, TWIN ferrules with plastic sleeve, (min-max.)
AWG Conductor
Insulation Stripping Length (min.-max.)
Torque (min-max.)
Screwdriver

0,2-4 mm ²
0,2-4 mm ²
0,5-1,5 mm ²
AWG 24-12
9-10 mm
0,4-0,6 Nm
IKT 3 (0,6x3,5)

0,2-6 mm ²
0,2-6 mm ²
0,5-2,5 mm ²
AWG 24-10
9-10 mm
0,5-0,8 Nm
IKT 3 (0,6x3,5)

End Plate - Disconnect Plate

Type	Cat.No.	Qty.
NPP/AVK 2,5-10	444 120	100
APP/AVK 2,5-10	462 120	25

Type	Cat.No.	Qty.
NPP/AVK 2,5-10	444 120	100
APP/AVK 2,5-10	462 120	25

Cross Connection

Type	Cat.No.	Qty.
UK 2,5/2	474 122	25
UK 2,5/3	474 123	20
UK 2,5/4	474 124	15
UK 2,5/10	474 129	5
UK 2,5/50	474 210	20

Type	Cat.No.	Qty.
UK 4/2	474 132	25
UK 4/3	474 133	20
UK 4/4	474 134	15
UK 4/10	474 139	5
UK 4/20	474 180	5
UK 4/50	474 190	5

Comb Connector

Type	Cat.No.	Qty.
TKO 2,5/2	476 262	25
TKO 2,5/3	476 263	20
TKO 2,5/4	476 264	15
TKO 2,5/10	476 269	5

Type	Cat.No.	Qty.
TKO 4/2		25
TKO 4/3	476 273	20
TKO 4/4	476 274	15
TKO 4/10	476 279	5

Technical Data
Rated Impulse Voltage / Pollution severity
Insulation material group / Gauge pin code according to IEC 60947-1
Protection class / Protection conductor type

8/3
1/A3
IP 20 / -

8/3
1/A4
IP 20 / -

Marking Tags (Dekafix)
See pages 326-333 for a list of Dekafix

D-NS 5x10, DB 10/5, DG 10/5, DG 10/5T

D-NS 6x10, DB 10/6, DG 10/6, DG 10/6T

Package Quantity
100 pcs.

100 pcs.

100 pcs.

Color							
Color code is the last digit of the order number							
Blue	Green	Yellow	Red	Black	White	Orange	Brown
1	2	3	4	5	6	7	8

AVK 6

Width: 8 mm



AVK 10

Width: 10 mm



AVK 16

Width: 12 mm



Cat No:

- 304 140RP
- 304 149RP

Voltage, V ~	Current, A	Cross-Section
630	41	6 mm ²
600	50	AWG 26-8
630	41	6 mm ²
600	40	AWG 28-8
630	36	0,5-6 mm ²

0,2-10 mm ²
0,2-10 mm ²
0,5-4 mm ²
AWG 24-8
10-12 mm
0,8-1,2 Nm
IKT 4 (0,8x4)

Type	Cat.No.	Qty.
NPP/AVK 2,5-10	444 120	100
APP/AVK 2,5-10	462 120	25

Type	Cat.No.	Qty.
UK 6/2	474 142	25
UK 6/3	474 143	20
UK 6/4	474 144	15
UK 6/10	474 149	5

Type	Cat.No.	Qty.
TKO 6/2	476 282	25
TKO 6/3	476 283	20
TKO 6/4	476 284	15
TKO 6/10	476 289	5

8/3
1/B5
IP 20 / -
D-NS 8x10, DG 10/8

100 pcs.

Cat No:

- 304 150RP
- 304 159RP

Voltage, V ~	Current, A	Cross-Section
630	57	10 mm ²
600	65	AWG 16-6
630	57	10 mm ²
600	65	AWG 16-6
630	50	1,5-10 mm ²

0,5-16 mm ²
0,5-16 mm ²
0,5-6 mm ²
AWG 20-6
10-12 mm
1,2-1,8 Nm
IKT 4 (0,8x4)

Type	Cat.No.	Qty.
NPP/AVK 2,5-10	444 120	100
APP/AVK 2,5-10	462 120	25

Type	Cat.No.	Qty.
UK 10/2	474 152	25
UK 10/3	474 153	20
UK 10/4	474 154	15
UK 10/10	474 159	5

Type	Cat.No.	Qty.
TKO 10/2	476 292	25
TKO 10/3	476 293	20
TKO 10/4	476 294	15
TKO 10/10	476 299	5

8/3
1/B6
IP 20 / -
D-NS 10x10, DG 10/10

100 pcs.

Cat No:

- 304 160
- 304 169

Voltage, V ~	Current, A	Cross-Section
750	76	16 mm ²
600	85	AWG 12-4
750	76	16 mm ²
630	63	2,5-16 mm ²

2,5-25 mm ²
4-25 mm ²
1,5-10 mm ²
AWG 14-4
12-14 mm
1,2-2,0 Nm
IKT 5 (1,0x5,5)

Type	Cat.No.	Qty.
NPP/AVK 16	444 160	100
APP/AVK 16	462 160	25

Type	Cat.No.	Qty.
UK 16/2	474 162	25
UK 16/3	474 163	20
UK 16/4	474 164	15
UK 16/10	474 169	5

8/3
1/B7
IP 20 / -
D-NS 10x10, D-NS 12x10, DG 10x10

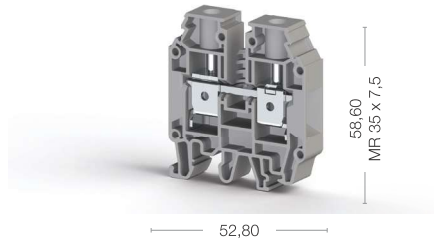
50 pcs.

Color							
Color code is the last digit of the order number							
Blue	Green	Yellow	Red	Black	White	Orange	Brown
1	2	3	4	5	6	7	8

AVK Series Terminals

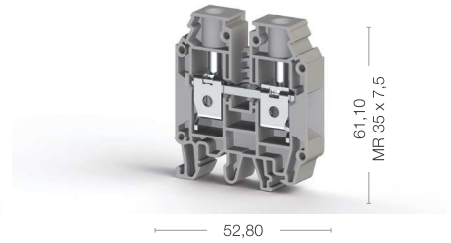
AVK 16 RD

Width: 12 mm



AVK 25 RD

Width: 12 mm



Cat No:

- 304 240
- 304 249

Cat No:

- 304 290
- 304 299



Electrical Ratings
CE (EN 60947-7-1)
UL - CuLus
VDE (IEC 60947-7-1)
CSA
ATEX

Voltage, V ~	Current, A	Cross-Section
1000	76	16 mm ²
600	80	AWG 12-4
750	76	16 mm ²
600	80	AWG 12-4
630	67	1,5-16 mm ²

Voltage, V ~	Current, A	Cross-Section
1000	101	25 mm ²
600	100	AWG 12-2
630	89	1,5-35 mm ²

Connection Data
Conductor cross section solid (min-max.)
Conductor cross section stranded (min-max.)
2 conductors with same cross section, stranded, TWIN ferrules with plastic sleeve, (min-max.)
AWG Conductor
Insulation Stripping Length (min.-max.)
Torque (min-max.)
Screwdriver

1,5-25 mm ²
1,5-25 mm ²
0,75-10 mm ²
AWG 16-4
12-14 mm
1,2-2,0 Nm
IKT 5 (1,0x5,5)

1,5-35 mm ²
1,5-35 mm ²
1,5-10 mm ²
AWG 16-2
12-14 mm
2,0-3,0 Nm
IKT 5 (1,0x5,5)

End Plate - Disconnect Plate

Type	Cat.No.	Qty.
NPP/AVK 16 RD	444 170	100
APP/AVK 16 RD	462 170	25

Type	Cat.No.	Qty.
NPP/AVK 25 RD	450 250	50

Cross Connection

Type	Cat.No.	Qty.
UK 16/2	474 162	25
UK 16/3	474 163	20
UK 16/4	474 164	15
UK 16/10	474 169	5

Type	Cat.No.	Qty.
UK 16/2	474 162	25
UK 16/3	474 163	20
UK 16/4	474 164	15
UK 16/10	474 169	5

Technical Data
Rated Impulse Voltage / Pollution severity
Insulation material group / Gauge pin code according to IEC 60947-1
Protection class / Protection conductor type
Marking Tags (Dekafix)
See pages 326-333 for a list of Dekafix

8/3
1/B7
IP 20 / -
D-NS 10x10, D-NS 12x10, DG 10x10

8/3
1/B8
IP 20 / -
D-NS 10x10, D-NS 12x10, DG 10x10

Package Quantity
50 pcs.

50 pcs.

50 pcs.

Color							
Color code is the last digit of the order number							
Blue	Green	Yellow	Red	Black	White	Orange	Brown
1	2	3	4	5	6	7	8

AVK 35 RDS

Width: 16 mm



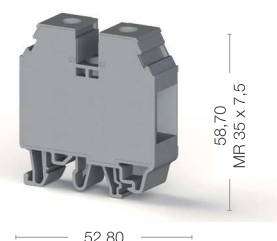
AVK 35 IRDS

Width: 16 mm



AVK 35 RD

Width: 16 mm



Cat No:

- 304 580
- 304 589

Voltage, V ~	Current, A	Cross-Section
1000	125	35 mm ²
600	115	AWG 10-2
800	111	6-50 mm ²

6-50 mm ²
6-35 mm ²
4-16 mm ²
AWG 10-2
16-18 mm
4,0-6,0 Nm
IKT 6 (1,2x6,5)

Type	Cat.No.	Qty.

Type	Cat.No.	Qty.
UK 35/2 RDS	480 212	25
UK 35/3 RDS	480 213	20
UK 35/4 RDS	480 214	15
UK 35/10 RDS	480 219	5

8/3
1/B9
IP 20 / -
D-NS 10x10, D-NS 14x10, DG 10/10, D-NS 12x10

50 pcs.

* Higher torque value compare to AVK 35 RD

Cat No:

- 304 590
- 304 599

Voltage, V ~	Current, A	Cross-Section
1000	125	35 mm ²
600	115	AWG 10-2
800	111	6-50 mm ²

6-50 mm ²
6-35 mm ²
4-16 mm ²
AWG 10-2
16-18 mm
4,0-6,0 Nm
S 5 (DIN6911)

Type	Cat.No.	Qty.

Type	Cat.No.	Qty.
UK 35/2 RDS	480 212	25
UK 35/3 RDS	480 213	20
UK 35/4 RDS	480 214	15
UK 35/10 RDS	480 219	5

8/3
1/B9
IP 20 / -
D-NS 10x10, D-NS 14x10, DG 10/10, D-NS 12x10

50 pcs.

* Inbus screw

Cat No:

- 304 250
- 304 259

Voltage, V ~	Current, A	Cross-Section
1000	125	35 mm ²
600	115	AWG 12-2
750	125	
600	115	AWG 12-2
630	111	1,5-35 mm ²

1,5-50 mm ²
1,5-50 mm ²
1,5-16 mm ²
AWG 16-2
16-18 mm
2,5-3,5 Nm
IKT 6 (1,2x6,5)

Type	Cat.No.	Qty.
APP/AVK 35 RD	462 180	10

Type	Cat.No.	Qty.
UK 35/2	474 172	25
UK 35/3	474 173	20
UK 35/4	474 174	15
UK 35/10	474 179	5

8/3
1/B9
IP 20 / -
D-NS 10x10, D-NS 14x10, DG 10/10, D-NS 12x10

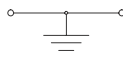
40 pcs.

Color							
Color code is the last digit of the order number							
Blue	Green	Yellow	Red	Black	White	Orange	Brown
1	2	3	4	5	6	7	8

AVK T Series Earth Terminals

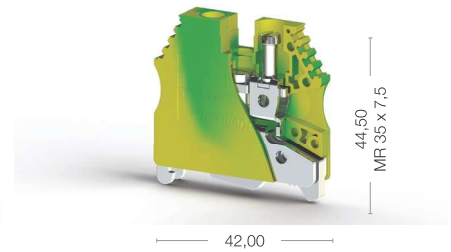
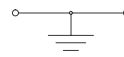
AVK 2,5 / 4 TK

Width: 6 mm



AVK 6 TK


Width: 8 mm



Cat No:

 334 450

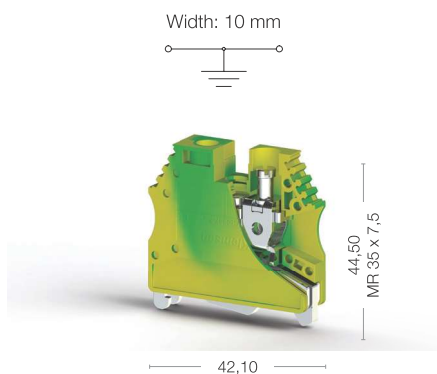
Cat No:

 334 460



Electrical Ratings	Voltage, V ~	Current, A	Cross-Section	Voltage, V ~	Current, A	Cross-Section
CE (EN 60947-7-2)			2,5-4 mm ²			6 mm ²
UL - CuLus			AWG 26-10			AWG 26-8
VDE (IEC 60947-7-2)						
CSA						
ATEX			0,5-6 mm ²			0,5-6 mm ²
Connection Data						
Conductor cross section solid (min-max.)	0,2-6 mm ²		0,2-10 mm ²		0,2-10 mm ²	
Conductor cross section stranded (min-max.)	0,2-6 mm ²		0,2-10 mm ²		0,2-10 mm ²	
2 conductors with same cross section, stranded, TWIN ferrules with plastic sleeve, (min-max.)	0,5-2,5 mm ²		0,5-4 mm ²		0,5-4 mm ²	
AWG Conductor	AWG 24-10		AWG 24-8		AWG 24-8	
Insulation Stripping Length (min.-max.)	9-10 mm		10-12 mm		10-12 mm	
Torque (min-max.)	0,5-0,8 Nm		0,8-1,2 Nm		0,8-1,2 Nm	
Rail Tightening torque, (min-max.)	0,4-0,6 Nm		0,6 -0,8 Nm		0,6 -0,8 Nm	
Screwdriver	IKT 3 (0,6x3,5)		IKT 4 (0,8x4)		IKT 4 (0,8x4)	
Technical Data						
Rated Impulse Voltage / Pollution severity	8/3		8/3		8/3	
Insulation material group / Gauge pin code according to IEC 60947-1	1/A4		1/B5		1/B5	
Protection class / Protection conductor type	IP 20 / PE		IP 20 / PE		IP 20 / PE	
Marking Tags (Dekafix)						
See pages 326-333 for a list of Dekafix	D-NS 6x10, DB 10/6, DG 10/6, DG 10/6T		D-NS 8x10, DG 10/8		D-NS 8x10, DG 10/8	
Package Quantity						
	50 pcs.		25 pcs.		25 pcs.	

AVK 10 TK



Cat No:

334 470

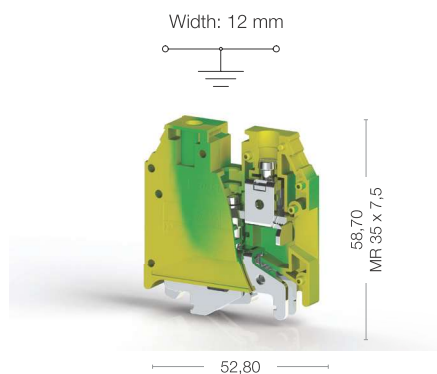
Voltage, V ~	Current, A	Cross-Section
		10 mm ²
		AWG 16-6
		1,5-16 mm ²

0,5-16 mm ²		
0,5-16 mm ²		
0,5-6 mm ²		
AWG 20-6		
10-12 mm		
1,2-1,5 Nm		
0,8-1,0 Nm		
IKT 4 (1,2x6,5)		

8/3		
1/B6		
IP 20 / PE		
D-NS 10x10, DG 10/10		

25 pcs.

AVK 16 T RD



Cat No:

334 200

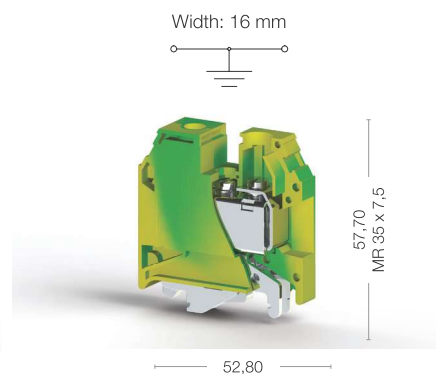
Voltage, V ~	Current, A	Cross-Section
		16 mm ²
		AWG 12-4
		16 mm ²
		AWG 12-4
		1,5-16 mm ²

1,5-25 mm ²		
1,5-25 mm ²		
0,75-10 mm ²		
AWG 16-4		
12-14 mm		
1,2-2,0 Nm		
1,0-1,2 Nm		
IKT 5 (1,2x6,5)		

8/3		
1/B7		
IP 20 / PE		
D-NS 10x10, D-NS 12x10, DG 10/10		

50 pcs.

AVK 35 T RD



Cat No:

334 210

Voltage, V ~	Current, A	Cross-Section
		35 mm ²
		AWG 12-2
		35 mm ²
		AWG 12-2
		1,5-35 mm ²

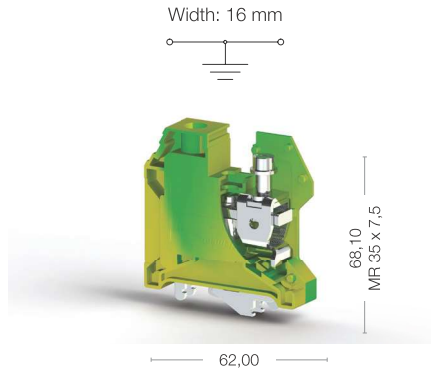
1,5-50 mm ²		
1,5-50 mm ²		
1,5-16 mm ²		
AWG 16-2		
16-18 mm		
2,5-3,5 Nm		
1,2-1,5 Nm		
IKT 6 (1,2x6,5)		

8/3		
1/B9		
IP 20 / PE		
D-NS 10x10, D-NS 14x10, DG 10/10		

40 pcs.

AVK T Series Earth Terminals

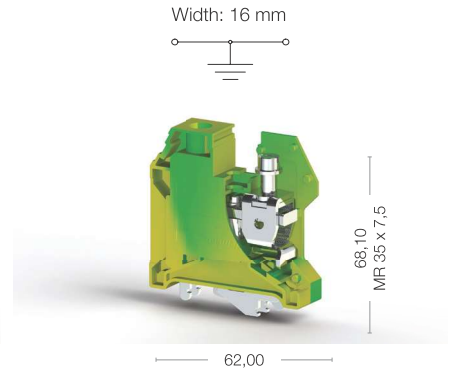
AVK 35 T RDS



Cat No:

334 240

AVK 35 T IRDS



Cat No:

334 250



Electrical Ratings
CE (EN 60947-7-2)
UL - CuLus
VDE (IEC 60947-7-2)
CSA
ATEX

Voltage, V ~	Current, A	Cross-Section
		35 mm ²
		AWG 10-2
		6-50 mm ²

Voltage, V ~	Current, A	Cross-Section
		35 mm ²
		AWG 10-2
		6-50 mm ²

Connection Data
Conductor cross section solid (min-max.)
Conductor cross section stranded (min-max.)
2 conductors with same cross section, stranded, TWIN ferrules with plastic sleeve, (min-max.)
AWG Conductor
Insulation Stripping Length (min.-max.)
Torque (min-max.)
Rail Tightening torque, (min-max.)
Screwdriver

	6-50 mm ²
	6-35 mm ²
	4-16 mm ²
	AWG 10-2
	16-18 mm
	4,0-6,0 Nm
	1,2-1,5 Nm
	IKT 6 (1,2x6,5)

	6-50 mm ²
	6-35 mm ²
	4-16 mm ²
	AWG 10-2
	16-18 mm
	4,0-6,0 Nm
	1,2-1,5 Nm
	S 5 (DIN6911)

Technical Data
Rated Impulse Voltage / Pollution severity
Insulation material group / Gauge pin code according to IEC 60947-1
Protection class / Protection conductor type
Marking Tags (Dekafix)
See pages 326-333 for a list of Dekafix

8/3
1/B9
IP 20 / PE
D-NS 10x10, D-NS 14x10, DG 10/10

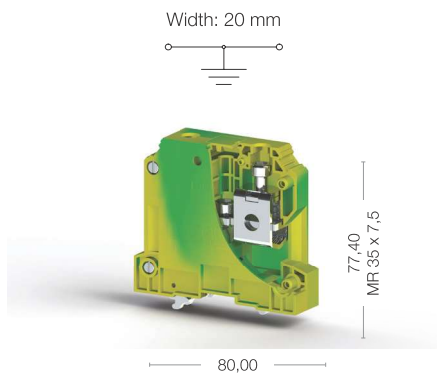
8/3
1/B9
IP 20 / PE
D-NS 10x10, D-NS 14x10, DG 10/10

Package Quantity

25 pcs.

25 pcs.

AVK 50 T



Cat No:

334 190

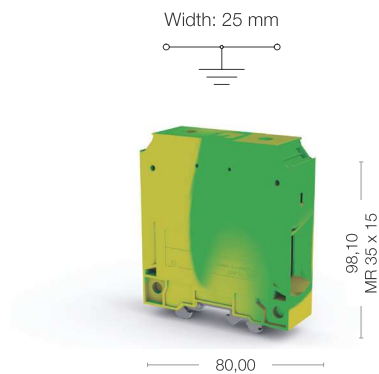
Voltage, V ~	Current, A	Cross-Section
		50 mm ²
		AWG 6-1/0
800		16-50 mm ²

16-70 mm ²
25-50 mm ²
10-16 mm ²
AWG 10-1/0
22-24 mm
6,0-10 Nm
1,5-2,0 Nm
S 5 (DIN6911)

8/3
1/B10
IP 20 / PE
KOIP SW, SLF-P1 W

10 pcs.

AVK 70-95 T



Cat No:

336 660

Voltage, V ~	Current, A	Cross-Section
		95 mm ²

25-95 mm ²
35-95 mm ²
16-35 mm ²
AWG 4-3/0
26-28 mm
10-15 Nm
3,0-6,0 Nm
S 6 (DIN6911)

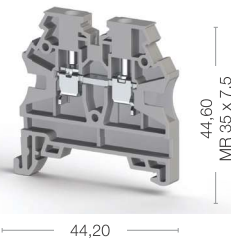
8/3
1/B10
IP 20 / PE
KOIP SM W, D-NS 20x9, SLF-P1 W

6 pcs.

AVK RD Series Terminals

AVK 2,5 RD

Width: 5 mm

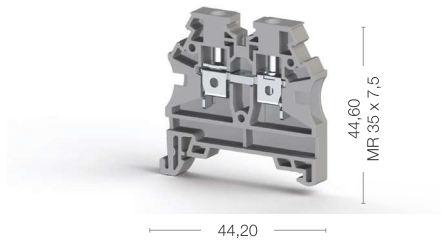


44,60
MR 35 x 7,5

44,20

AVK 4 RD

Width: 6 mm



44,60
MR 35 x 7,5

44,20

Cat No:

304 200RP
304 209RP

Cat No:

304 210RP
304 219RP



Electrical Ratings
CE (EN 60947-7-1)
UL - CuLus
VDE (IEC 60947-7-1)
CSA
ATEX

Voltage, V ~	Current, A	Cross-Section
750	24	2,5 mm ²
600	20	AWG 26-12
750	24	2,5 mm ²
630	20	0,5-2,5 mm ²

Voltage, V ~	Current, A	Cross-Section
750	32	4 mm ²
600	30	AWG 26-10
750	32	4 mm ²
630	25	0,5-4 mm ²

Connection Data
Conductor cross section solid (min-max.)
Conductor cross section stranded (min-max.)
2 conductors with same cross section, stranded, TWIN ferrules with plastic sleeve, (min-max.)
AWG Conductor
Insulation Stripping Length (min.-max.)
Torque (min-max.)
Screwdriver

0,2-4 mm ²
0,2-4 mm ²
0,5-1,5 mm ²
AWG 24-12
9-10 mm
0,4-0,6 Nm
IKT 3 (0,6x3,5)

0,2-6 mm ²
0,2-6 mm ²
0,5-2,5 mm ²
AWG 24-10
9-10 mm
0,5-0,8 Nm
IKT 3 (0,6x3,5)



Type	Cat.No.	Qty.
NPP/AVK 2,5-10	444 120	100
APP/AVK 2,5-10	462 120	25

Type	Cat.No.	Qty.
NPP/AVK 2,5-10	444 120	100
APP/AVK 2,5-10	462 120	25



Type	Cat.No.	Qty.
UK 2,5/2	476 222	25
UK 2,5/3	476 223	20
UK 2,5/4	476 224	15
UK 2,5/10	476 229	5
UK 2,5/32	474 270	10
UK 2,5/50	476 320	20

Type	Cat.No.	Qty.
UK 4/2	476 232	25
UK 4/3	476 233	20
UK 4/4	476 234	15
UK 4/10	476 239	5
UK 4/50	476 330	20



Type	Cat.No.	Qty.
TKO 2,5/2	476 262	25
TKO 2,5/3	476 263	20
TKO 2,5/4	476 264	15
TKO 2,5/10	476 269	5

Type	Cat.No.	Qty.
TKO 4/2	476 272	25
TKO 4/3	476 273	20
TKO 4/4	476 274	15
TKO 4/10	476 279	5

Technical Data
Rated Impulse Voltage / Pollution severity
Insulation material group / Gauge pin code according to IEC 60947-1
Protection class / Protection conductor type
Marking Tags (Dekafix)
See pages 326-333 for a list of Dekafix

8/3
1/A3
IP 20 / -
DB 10/5, DG 10/5, DG 10/5T, D-NS 5x10

8/3
1/A4
IP 20 / -
D-NS 6x10, DB 10/6, DG 10/6, DG 10/6T

Package Quantity
100 pcs.

100 pcs.

100 pcs.

Color							
Color code is the last digit of the order number							
Blue	Green	Yellow	Red	Black	White	Orange	Brown
1	2	3	4	5	6	7	8

AVK 2,5 R

Width: 5 mm



AVK 4 R

Width: 6 mm



Cat No:

- 304 409
- 304 400

Voltage, V ~	Current, A	Cross-Section
800	24	2,5 mm ²

0,2-4 mm ²
0,2-4 mm ²
0,5-1,5 mm ²
AWG 24-12
9-10 mm
0,4-0,6 Nm
IKT 3 (0,6x3,5)

Type	Cat.No.	Qty.
NPP/AVK 2,5 R	450 330	25

Type	Cat.No.	Qty.
UK 2,5/2	476 222	25
UK 2,5/3	476 223	20
UK 2,5/4	476 224	15
UK 2,5/10	476 229	5
UK 2,5/16	474 260	10
UK 2,5/20	474 200	10

8/3		
1/A3		
IP 20 / -		
D-NS 5x10, DB 10/5, DG 10/5, DG 10/5T		

50 pcs.

Cat No:

- 304 390
- 304 399

Voltage, V ~	Current, A	Cross-Section
800	32	4 mm ²
630	28	0,5-6 mm ²

0,2-6 mm ²
0,2-6 mm ²
0,5-2,5 mm ²
AWG 24-10
9-10 mm
0,5-0,8 Nm
IKT 3 (0,6x3,5)

Type	Cat.No.	Qty.
NPP/AVK 4 R	450 330	25

Type	Cat.No.	Qty.
UK 4/2	476 232	25
UK 4/3	476 233	20
UK 4/4	476 234	15
UK 4/10	476 239	5

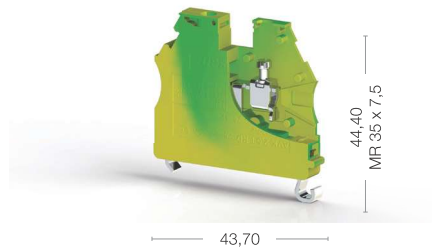
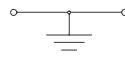
8/3		
1/A4		
IP 20 / -		
D-NS 6x10, DB 10/6, DG 10/6, DG 10/6T		

50 pcs.

AVK RD Series Earth Terminals

AVK 2,5 T RD

Width: 5,75 mm

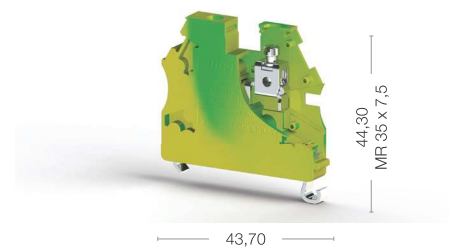
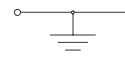


Cat No:

 334 170

AVK 4 T RD

Width: 6,2 mm



Cat No:

 334 180



Electrical Ratings
CE (EN 60947-7-1 / EN 60947-7-2)
UL - CuLus
VDE (IEC 60947-7-1 / EN 60947-7-2)
CSA
ATEX

Voltage, V ~	Current, A	Cross-Section
		2,5 mm ²
		AWG 26-12
		0,5-2,5 mm ²

Voltage, V ~	Current, A	Cross-Section
		4 mm ²
		AWG 26-10
		0,5-4 mm ²

Connection Data
Conductor cross section solid (min-max.)
Conductor cross section stranded (min-max.)
2 conductors with same cross section, stranded, TWIN ferrules with plastic sleeve, (min-max.)
AWG Conductor
Insulation Stripping Length (min.-max.)
Torque (min-max.)
Rail Tightening torque, (min-max.)
Screwdriver

	0,2-4 mm ²
	0,2-4 mm ²
	0,5-1,5 mm ²
	AWG 24-12
	9-10 mm
	0,4-0,6 Nm
	IKT 3 (0,6x3,5)

	0,2-6 mm ²
	0,2-6 mm ²
	0,5-2,5 mm ²
	AWG 24-10
	9-10 mm
	0,5-0,8 Nm
	IKT 3 (0,6x3,5)

End Plate - Disconnect Plate

--

--

Technical Data
Rated Impulse Voltage / Pollution severity
Insulation material group / Gauge pin code according to IEC 60947-1
Protection class / Protection conductor type

8
1/A3
IP 20 / PE

8
1/A4
IP 20 / PE

Marking Tags (Dekafix)
See pages 326-333 for a list of Dekafix

D-NS 5x10, DB 10/5, DG 10/5, DG 10/5T

D-NS 6x10, DB 10/6, DG 10/6, DG 10/6T

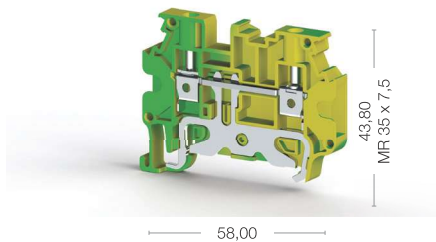
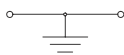
Package Quantity

50 pcs.

50 pcs.

AVK 4 RT

Width: 6 mm



Cat No:

 334 270

Voltage, V ~	Current, A	Cross-Section
		4 mm ²

0,2-6 mm ²
0,2-6 mm ²
0,5-2,5 mm ²
AWG 24-10
9-10 mm
0,5-0,8 Nm
IKT 3 (0,6x3,5)

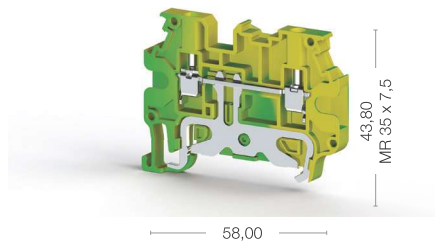
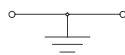
Type	Cat.No.	Qty.
NPP /AVK 4 RT	450 332 T	25

8
1/A4
IP 20 / PE
D-NS 6x10, DB 10/6, DG 10/6, DG 10/6T, SLF-P1 W

50 pcs.

AVK 2,5 RT

Width: 5 mm



Cat No:

 334 280

Voltage, V ~	Current, A	Cross-Section
		2,5 mm ²

0,2-4 mm ²
0,2-4 mm ²
0,5-1,5 mm ²
AWG 24-12
9-10 mm
0,4-0,6 Nm
IKT 3 (0,6x3,5)

Type	Cat.No.	Qty.
NPP /AVK 2,5 RT	450 332 T	25

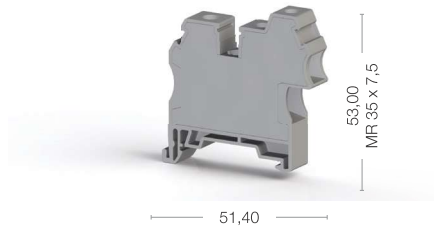
8
1/A3
IP 20 / PE
D-NS 5x10, DB 10/5, DG 10/5, DG 10/5T, SLF-P1 W

50 pcs.

AVK Series Terminals

AVK 10 RD 4

Width: 10 mm



51,40

53,00
MR 35 x 7,5

AVK 4 CE

Width: 6 mm



65,70

51,75
MR 35 x 7,5

Cat No:

304 289
304 280

Cat No:

325 229
325 220



Electrical Ratings
CE (EN 60947-7-1)
UL - CuLus
VDE (IEC 60947-7-1)
CSA
ATEX

Voltage, V ~	Current, A	Cross-Section
800	57	10 mm ²
500	43	1,5-16 mm ²

Voltage, V ~	Current, A	Cross-Section
500	32	4 mm ²
500	28	0,5-6 mm ²

Connection Data
Conductor cross section solid (min.-max.)
Conductor cross section stranded (min.-max.)
2 conductors with same cross section, stranded, TWIN ferrules with plastic sleeve, (min.-max.)
AWG Conductor
Insulation Stripping Length (min.-max.)
Torque (min.-max.)
Screwdriver

0,5/0,2 mm ² - 16/4 mm ²
0,5/0,2 mm ² - 16/4 mm ²
0,5/0,5 - 6/1,5 mm ²
AWG 20/24 - 6/12
10/7 - 12/8 mm
1,2-0,5 / 1,8-0,8 Nm
IKT 3 (0,6x3,5) / IKT 4 (0,8x4)

0,2-6 mm ²
0,2-6 mm ²
0,5-2,5 mm ²
AWG 24-10
9-10 mm
0,5-0,8 Nm
IKT 3 (0,6x3,5)

End Plate - Disconnect Plate

Type	Cat.No.	Qty.
NPP/AVK 4 CE	450 349	25

Type	Cat.No.	Qty.
NPP/AVK 4 CE	450 349	25

Cross Connection

Type	Cat.No.	Qty.
UK 10/2	474 152	25
UK 10/3	474 153	20
UK 10/4	474 154	15
UK 10/10	474 159	5

Type	Cat.No.	Qty.
UK 4/2	476 232	25
UK 4/3	476 233	20
UK 4/4	476 234	15
UK 4/10	476 239	5

Comb Connector

TKO 10/2	476 292	25
TKO 10/3	476 293	20
TKO 10/4	476 294	15
TKO 10/10	476 299	5

Technical Data
Rated Impulse Voltage / Pollution severity
Insulation material group / Gauge pin code according to IEC 60947-1
Protection class / Protection conductor type
Marking Tags (Dekafix)
See pages 326-333 for a list of Dekafix

6/3
1/B6-A4
IP 20 / -
D-NS 10x10, DG 10/10

6/3
1/A4
IP 20 / -
D-NS 6x10, DB 10/6, DG 10/6, DG 10/6T

Package Quantity
60 pcs.

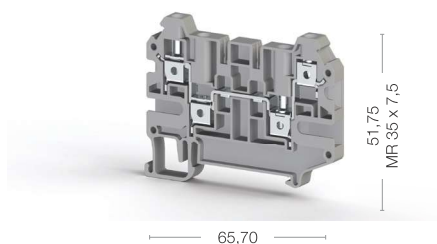
60 pcs.

Package Quantity
50 pcs.

Color							
Color code is the last digit of the order number							
Blue	Green	Yellow	Red	Black	White	Orange	Brown
1	2	3	4	5	6	7	8

AVK 4 CC

Width: 6 mm



Cat No:

- 325 209
- 325 200

Voltage, V ~	Current, A	Cross-Section
500	32	4 mm ²
500	28	0,5-6 mm ²

0,2-6 mm ²
0,2-6 mm ²
0,5-2,5 mm ²
AWG 24-10
9-10 mm
0,5-0,8 Nm
IKT 3 (0,6x3,5)

Type	Cat.No.	Qty.
NPP/AVK 4 CC	450 349	25

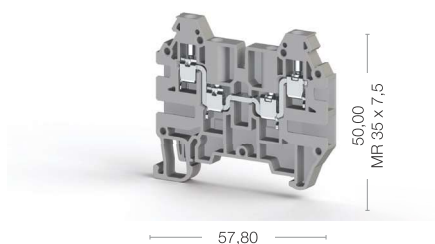
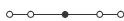
Type	Cat.No.	Qty.
UK 4/2	476 232	25
UK 4/3	476 233	20
UK 4/4	476 234	15
UK 4/10	476 239	5

6/3
1/A4
IP 20 / -
D-NS 6x10, DB 10/6, DG 10/6, DG 10/6T

50 pcs.

AVK 2,5 CC

Width: 5 mm



Cat No:

- 324 909
- 304 900

Voltage, V ~	Current, A	Cross-Section
750	24	2,5 mm ²
600	20	AWG 26-12
630	21	0,5-2,5 mm ²

0,2-4 mm ²
0,2-4 mm ²
0,5-1,5 mm ²
AWG 24-12
9-10 mm
0,4-0,6 Nm
IKT 3 (0,6x3,5)

Type	Cat.No.	Qty.
NPP/AVK 2,5 CC	444 139	25

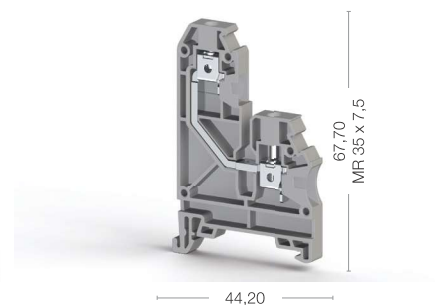
Type	Cat.No.	Qty.
UK 2,5/2	476 222	25
UK 2,5/3	476 223	20
UK 2,5/4	476 224	15
UK 2,5/10	476 229	5
UK 2,5/16	474 260	10
UK 2,5/20	474 200	10

8/3
1/A3
IP 20 / -
D-NS 5x10, DB 10/5, Dg 10/5, DG 10/5T

100 pcs.

AVK 4 GD

Width: 6 mm



Cat No:

- 304 270
- 304 279

Voltage, V ~	Current, A	Cross-Section
500	32	4 mm ²
400	26	0,5-4 mm ²

0,2-6 mm ²
0,2-6 mm ²
0,5-2,5 mm ²
AWG 24-10
9-10 mm
0,5-0,8 Nm
IKT 3 (0,6x3,5)

Type	Cat.No.	Qty.
NPP/AVK 4GD	444 140	25

Type	Cat.No.	Qty.
UK 4/2	476 232	25
UK 4/3	476 233	20
UK 4/4	476 234	15
UK 4/10	476 239	5

Type	Cat.No.	Qty.
TKO 4/2	476 272	25
TKO 4/3	476 273	20
TKO 4/4	476 274	15
TKO 4/10	476 279	5

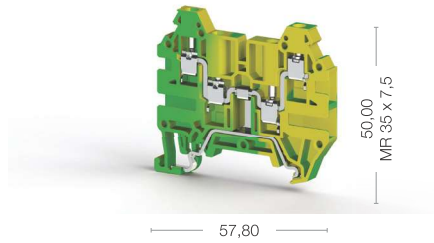
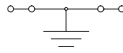
8/3
1/A4
IP 20 / -
D-NS 5x6, D-NS 6x10, DB 5, DB 10/6, DG 6/5, DG 10/6, DG 10/6T

100 pcs.

AVK RD Series Earth Terminals

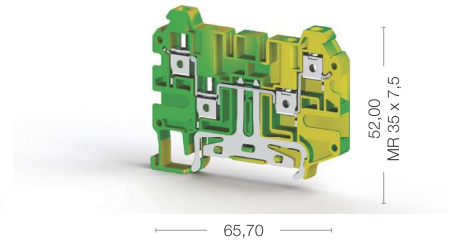
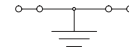
AVK 2,5 CCT

Width: 5 mm



AVK 4 CCT


Width: 6 mm



Cat No:

 334 220

Cat No:

 334 260



Electrical Ratings
CE (EN 60947-7-2)
UL - CuLus
VDE (IEC 60947-7-2)
CSA
ATEX


Voltage, V ~	Current, A	Cross-Section
		2,5 mm ²
		AWG 26-12
		0,5-2,5 mm ²

Voltage, V ~	Current, A	Cross-Section
		4 mm ²
		0,5-6 mm ²

Connection Data
Conductor cross section solid (min-max.)
Conductor cross section stranded (min-max.)
2 conductors with same cross section, stranded, TWIN ferrules with plastic sleeve, (min-max.)
AWG Conductor
Insulation Stripping Length (min.-max.)
Torque (min-max.)
Rail Tightening torque, (min-max.)
Screwdriver

	0,2-4 mm ²
	0,2-4 mm ²
	0,5-1,5 mm ²
	AWG 24-12
	9-10 mm
	0,4-0,6 Nm
	IKT 3 (0,6x3,5)

	0,2-6 mm ²
	0,2-6 mm ²
	0,5-2,5 mm ²
	AWG 24-10
	9-10 mm
	0,5-0,8 Nm
	IKT 3 (0,6x3,5)

End Plate - Disconnect Plate


Type	Cat.No.	Qty.
NPP/AVK 2,5 CCT	444 132T	25

Type	Cat.No.	Qty.
NPP/AVK 4 CCT	450 342T	25

Technical Data
Rated Impulse Voltage / Pollution severity
Insulation material group / Gauge pin code according to IEC 60947-1
Protection class / Protection conductor type

8/3
1/A3
IP 20 / PE

8/3
1/A4
IP 20 / PE

Marking Tags (Dekafix)
See pages 326-333 for a list of Dekafix

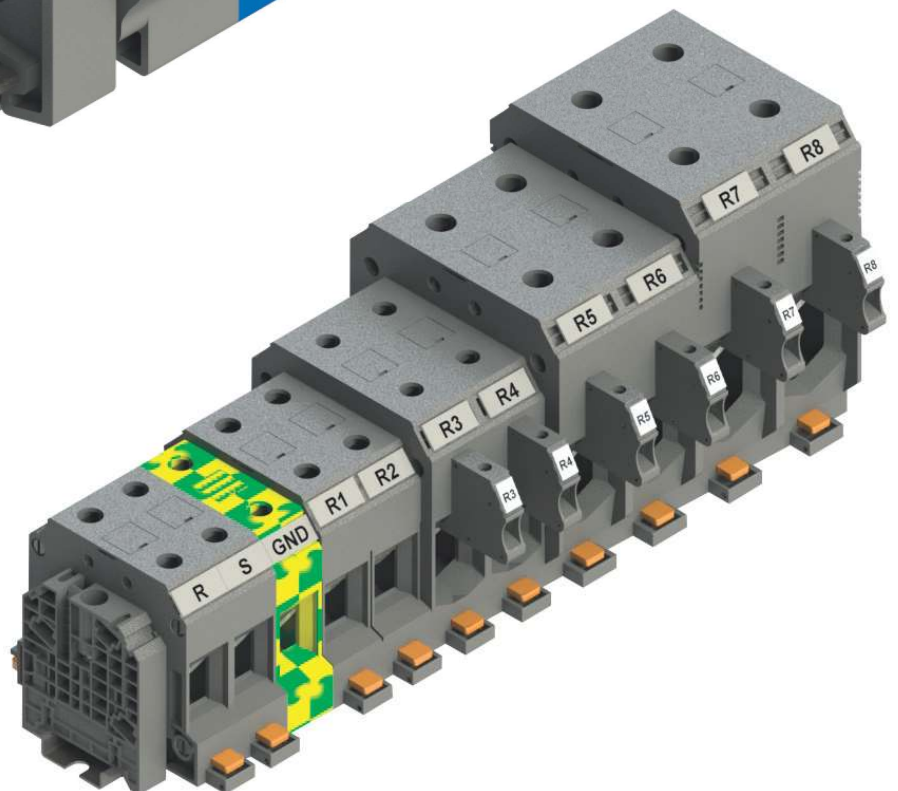
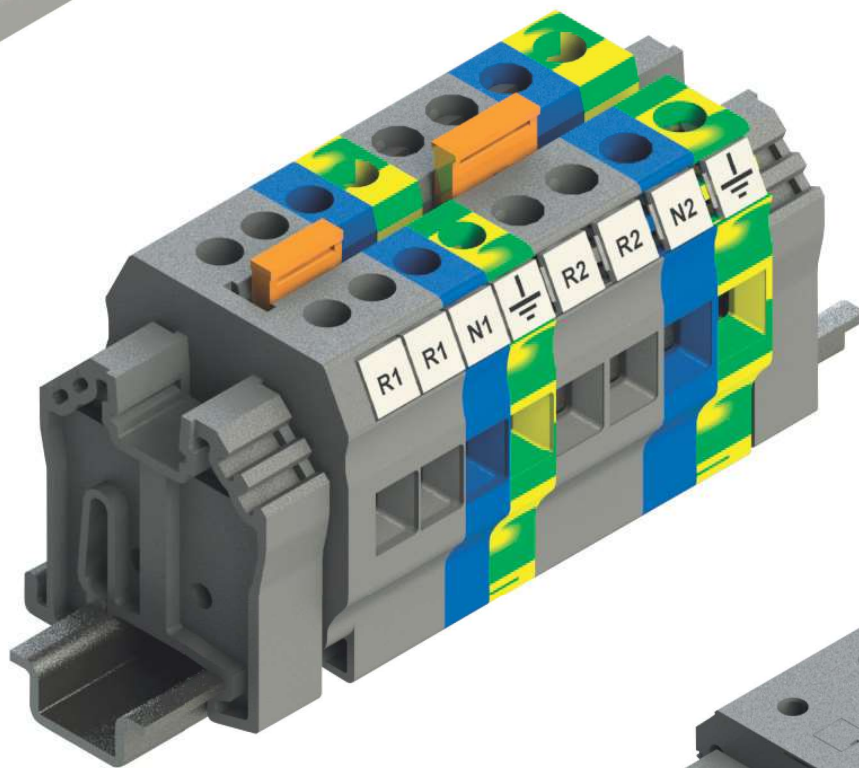
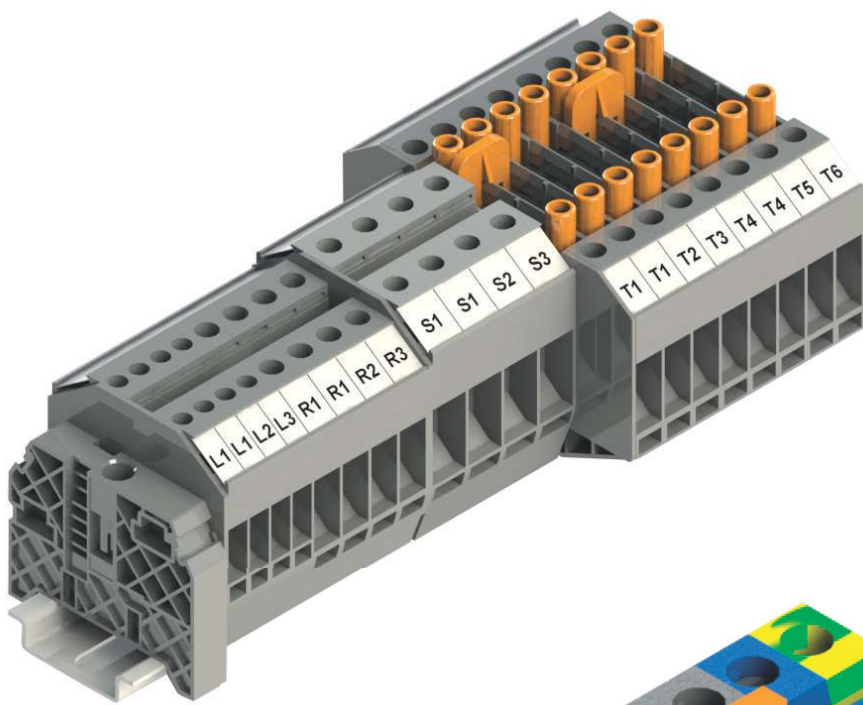
D-NS 5x10, DB 10/5, DG 10/5, DG 10/5T

D-NS 6x10, DG 10/6, DG 10/6T, DB 10/6

Package Quantity

25 pcs.

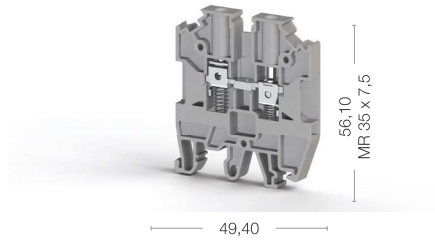
50 pcs.



AVK Y Series Terminals

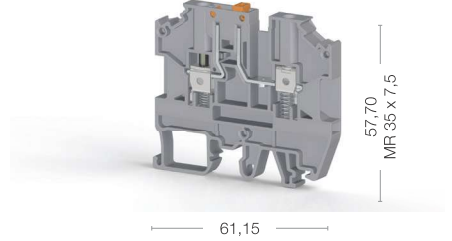
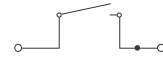
AVK Y 4

Width: 6 mm



AVK Y 4 A

Width: 6 mm



Cat No:

- 304 500
- 304 509

Cat No:

- 304 600
- 304 609



Electrical Ratings
CE (EN 60947-7-1)
UL - CuLus
VDE (IEC 60947-7-1)
CSA
ATEX

Voltage, V ~	Current, A	Cross-Section
800	32	4 mm ²
800	32	4 mm ²
630	28	0,5-6 mm ²

Voltage, V ~	Current, A	Cross-Section
500	32	4 mm ²

Connection Data
Conductor cross section solid (min.-max.)
Conductor cross section stranded (min.-max.)
2 conductors with same cross section, stranded, TWIN ferrules with plastic sleeve, (min.-max.)
AWG Conductor
Insulation Stripping Length (min.-max.)
Torque (min.-max.)
Screwdriver

0,2-6 mm ²
0,2-6 mm ²
0,5-2,5 mm ²
AWG 24-10
10-12 mm
0,5-0,8 Nm
IKT 3 (0,6x3,5)

0,2-6 mm ²
0,2-6 mm ²
0,5-2,5 mm ²
AWG 24-10
10-12 mm
0,5-0,8 Nm
IKT 3 (0,6x3,5)



Type	Cat.No.	Qty.
NPP AVK Y 4/6	450 300	50

Type	Cat.No.	Qty.
NPP AVK Y 4A	450 390	20



Type	Cat.No.	Qty.
UK 4/2	474 132	25
UK 4/3	474 133	20
UK 4/4	474 134	15
UK 4/10	474 139	5
Uk 4/20	474 180	5
UK 4/50	474 190	5

Type	Cat.No.	Qty.
UK 4/2	474 132	25
UK 4/3	474 133	20
UK 4/4	474 134	15
UK 4/10	474 139	5
Uk 4/20	474 180	5
UK 4/50	474 190	5

Technical Data
Rated Impulse Voltage / Pollution severity
Insulation material group / Gauge pin code according to IEC 60947-1
Protection class / Protection conductor type
Marking Tags (Dekafix)
See pages 326-333 for a list of Dekafix

8/3
1/B4
IP 20 / -
DB 10/6, DG 10/6T, SLF-P1 W, D-NS 6x10

8/3
1/B4
IP 20 / -
D-NS 6x10, DG 10/6, DG 10/6T, DB 10/6, SLF-P1 W

Package Quantity

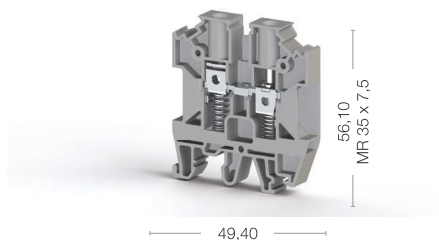
120 pcs.

30 pcs.

Color							
Color code is the last digit of the order number							
Blue	Green	Yellow	Red	Black	White	Orange	Brown
1	2	3	4	5	6	7	8

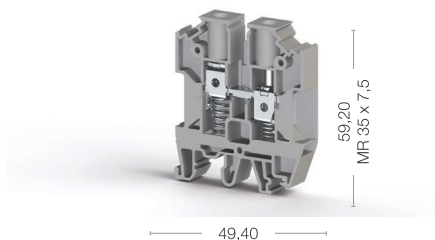
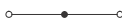
AVK Y 6

Width:8 mm



AVK Y 10

Width:10 mm



Cat No:

- 304 510
- 304 519

Voltage, V ~	Current, A	Cross-Section
800	41	6 mm ²
800	41	6 mm ²
500	36	0,5-10 mm ²

0,2-10 mm ²
0,2-10 mm ²
0,5-4 mm ²
AWG 24-8
10-12 mm
0,8-1,2 Nm
IKT 4 (0,8x0,4)

Type	Cat.No.	Qty.
NPP AVK Y 4/6	450 300	50

Type	Cat.No.	Qty.
UK 6/2	474 142	25
UK 6/3	474 143	20
UK 6/4	474 144	15
UK 6/10	474 149	5

8/3
1/B5
IP 20 / -
D-NS 8x10, DG 10/8, SLF-P1 W

90 pcs.

Cat No:

- 304 520
- 304 529

Voltage, V ~	Current, A	Cross-Section
800	57	10 mm ²
800	57	10 mm ²
500	50	1,5-16 mm ²

0,5-16 mm ²
0,5-16 mm ²
0,5-6 mm ²
AWG 20-16
10-12 mm
1,2-1,8 Nm
IKT 4 (0,8x0,4)

Type	Cat.No.	Qty.
NPP/AVK Y 10	450 260	50

Type	Cat.No.	Qty.
UK 10/2	474 152	25
UK 10/3	474 153	20
UK 10/4	474 154	15
UK 10/10	474 159	5

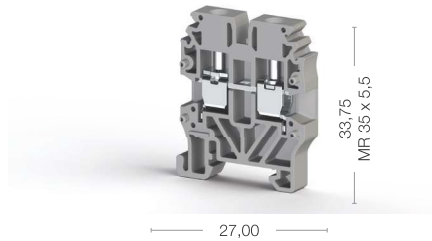
8/3
1/B6
IP 20 / -
D-NS 10x10, DG 10/10, SLF-P1 W

70 pcs.

MVK Type Mini Terminals for MR 15 Rails

MVK 2,5

Width: 5 mm



MVK 4

Width: 6 mm



Cat No:

- 304 429
- 304 420

Cat No:

- 304 439
- 304 430



Electrical Ratings
CE (EN 60947-7-1 / EN 60947-7-2)
UL - CuLus
VDE (IEC 60947-7-1)
CSA
ATEX

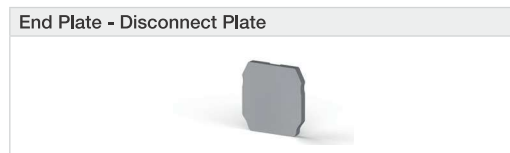
Voltage, V ~	Current, A	Cross-Section
400	24	2,5 mm ²
300	20	AWG 26-12
400	20	0,5-2,5 mm ²

Voltage, V ~	Current, A	Cross-Section
400	32	4 mm ²
300	30	AWG 24-10
400	28	0,5-4 mm ²

Connection Data
Conductor cross section solid (min.-max.)
Conductor cross section stranded (min.-max.)
2 conductors with same cross section, stranded, TWIN ferrules with plastic sleeve, (min.-max.)
AWG Conductor
Insulation Stripping Length (min.-max.)
Torque (min.-max.)
Screwdriver

0,2-4 mm ²
0,2-4 mm ²
0,5-1,5 mm ²
AWG 24-12
9-10 mm
0,4-0,6 Nm
IKT 3 (0,6x3,5)

0,2-6 mm ²
0,2-6 mm ²
0,5-2,5 mm ²
AWG 24-10
9-10 mm
0,5-0,8 Nm
IKT 3 (0,6x3,5)



Type	Cat.No.	Qty.
NPP/MVK 2,5-4	444 429	100

Type	Cat.No.	Qty.
NPP/MVK 2,5-4	444 429	100



Type	Cat.No.	Qty.
UK 2,5/2	476 222	25
UK 2,5/3	476 223	20
UK 2,5/4	476 224	15
UK 2,5/10	476 229	5
UK 2,5/16	474 260	10
UK 2,5/20	474 200	10

Type	Cat.No.	Qty.
UK 4/2	476 232	25
UK 4/3	476 233	20
UK 4/4	476 234	15
UK 4/10	476 239	5

Technical Data
Rated Impulse Voltage / Pollution severity
Insulation material group / Gauge pin code according to IEC 60947-1
Protection class / Protection conductor type
Marking Tags (Dekafix)
See pages 326-333 for a list of Dekafix

6/3
1/B3
IP 20 / -
DB 5, D-NS 5X6

6/3
1/B4
IP 20 / -
DB 5, D-NS 5X6

Package Quantity
100 pcs.

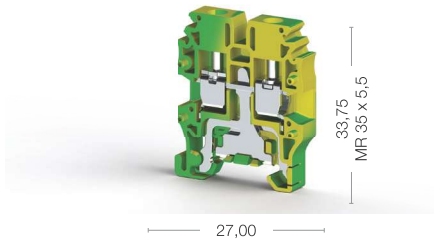
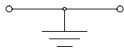
100 pcs.

100 pcs.

Color							
Color code is the last digit of the order number							
Blue	Green	Yellow	Red	Black	White	Orange	Brown
1	2	3	4	5	6	7	8

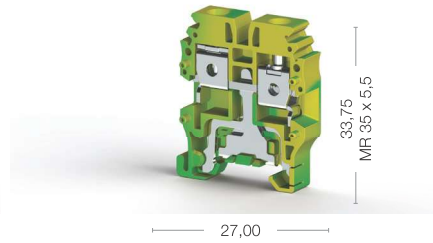
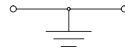
MVK 2,5 T

Width: 5 mm



MVK 4 T

Width: 6 mm



Cat No:

 334 420

Cat No:

 334 430

Voltage, V ~	Current, A	Cross-Section
		2,5 mm ²
		AWG 26-12
		0,5-2,5 mm ²

0,2-4 mm ²		
0,2-4 mm ²		
0,5-1,5 mm ²		
AWG 24-12		
9-10 mm		
0,4-0,6 Nm		
IKT 3 (0,6x3,5)		

Type	Cat.No.	Qty.
NPP/MVK 2,5T	444 422T	100

6/3
1/B3
IP 20 / PE
DB 5, D-NS 5X6

50 pcs.

Voltage, V ~	Current, A	Cross-Section
		4 mm ²
		AWG 24-10
		0,5-4 mm ²

0,2-6 mm ²		
0,2-6 mm ²		
0,5-2,5 mm ²		
AWG 24-10		
9-10 mm		
0,5-0,8 Nm		
IKT 3 (0,6x3,5)		

Type	Cat.No.	Qty.
NPP/MVK 4T	444 422T	100

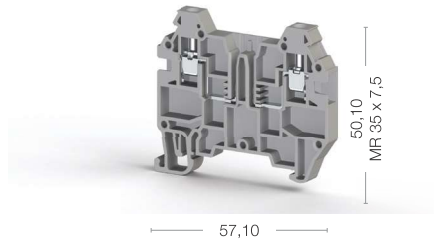
6/3
1/B4
IP 20 / PE
DB 5, D-NS 5X6

50 pcs.

Functional Terminals and Sockets

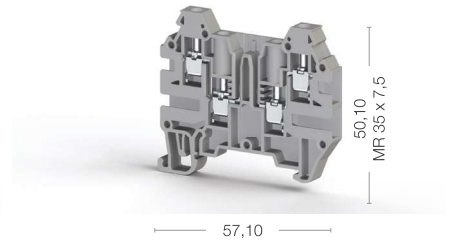
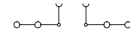
AVK 2,5 F

Width: 6 mm



AVK 2,5 CF

Width: 6 mm




Cat No:

- 324 929
- 324 920

Cat No:

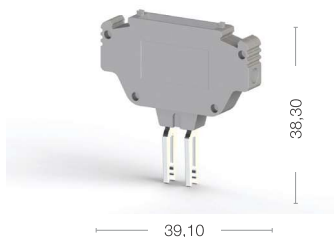
- 324 919
- 324 910



Electrical Ratings	Voltage, V ~	Current, A	Cross-Section	Voltage, V ~	Current, A	Cross-Section
CE (EN 60947-7-1)	400	16	2,5 mm ²	400	16	4 mm ²
UL - CuLus						
VDE (IEC 60947-7-1)						
CSA						
ATEX						
Connection Data						
Conductor cross section solid (min.-max.)			0,2-4 mm ²			0,2-4 mm ²
Conductor cross section stranded (min.-max.)			0,2-4 mm ²			0,2-4 mm ²
2 conductors with same cross section, stranded, TWIN ferrules with plastic sleeve, (min.-max.)			0,5-1,5 mm ²			0,5-1,5 mm ²
AWG Conductor			AWG 24-12			AWG 24-12
Insulation Stripping Length (min.-max.)			9-10 mm			9-10 mm
Torque (min.-max.)			0,4-0,6 Nm			0,4-0,6 Nm
Screwdriver			IKT 3 (0,6x3,5)			IKT 3 (0,6x3,5)
End Plate - Disconnect Plate	Type	Cat.No.	Qty.	Type	Cat.No.	Qty.
	NPP AVK 2,5 F	444 139	25	NPP AVK 2,5 CF	444 139	25
Technical Data For Diode						
Diode Voltage						
Diode Current						
Diod						
Technical Data						
Rated Impulse Voltage / Pollution severity			6/3			6/3
Insulation material group / Gauge pin code according to IEC 60947-1			1/A3			1/A3
Protection class / Protection conductor type			IP 20 / -			IP 20 / -
Marking Tags (Dekafix)						
See pages 326-333 for a list of Dekafix			D-NS 5x10, DB 10/5, DG 10/5, DG 10/5T			D-NS 5x10, DB 10/5, DG 10/5, DG 10/5T
Package Quantity			80 pcs.			80 pcs.

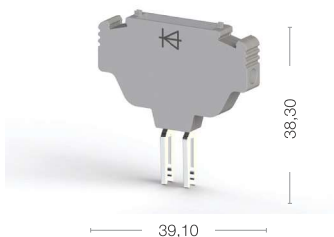
AVK SKT

Width: 5,80 mm



AVK SKTD

Width: 5,80 mm



Cat No:

- 498 759
- 498 750

Voltage, V ~	Current, A	Cross-Section
400	16	2,5 mm ²

0,2-0,4 mm ²
0,2-0,4 mm ²
0,5-1,5 mm ²
AWG 24-12
6-7 mm
0,4-0,6 Nm
IKT 3 (0,6x3,5)

Type	Cat.No.	Qty.

6/3
1/A3
IP 20 / PE
D-NS 5x6, DB 5, DG 6/5

50 pcs.

NOTE: AVK SKTD product is just used with AVK 2,5 F and AVK 2,5 CF terminals.

Cat No:

- 498 859
- 498 850

Voltage, V ~	Current, A	Cross-Section
400	1	2,5 mm ²

0,2-0,4 mm ²
0,2-0,4 mm ²
0,5-1,5 mm ²
AWG 24-12
6-7 mm
0,4-0,6 Nm
IKT 3 (0,6x3,5)

Type	Cat.No.	Qty.

1000V
1A
1 N 4007

6/3
1/A3
IP 20 / PE
D-NS 5x6, DB 5, DG 6/5

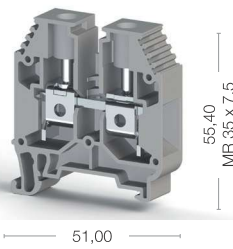
50 pcs.

NOTE: AVK SKTD product is just used with AVK 2,5 F and AVK 2,5 CF terminals.

AVK PV Series Terminals

AVK 16 PV

Width: 12 mm

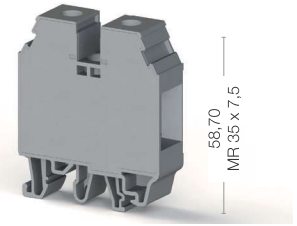


55,40
MR 35 x 7,5

51,00

AVK 35 RD PV

Width: 16 mm



58,70
MR 35 x 7,5

52,80

Cat No:

- 304 160 P
- 304 169 P
- 304 161 P

Cat No:

- 304 250 P
- 304 259 P
- 304 251 P



Electrical Ratings
CE (EN 60947-7-1)
UL - CuLus
VDE (IEC 60947-7-1)
CSA
ATEX

Voltage, V ~	Current, A	Cross-Section
750	76	16 mm ²
1000	85	AWG 12-4

Voltage, V ~	Current, A	Cross-Section
1000	125	35 mm ²
1000	115	AWG 12-2

Connection Data
Conductor cross section solid (min.-max.)
Conductor cross section stranded (min.-max.)
2 conductors with same cross section, stranded, TWIN ferrules with plastic sleeve, (min.-max.)
AWG Conductor
Insulation Stripping Length (min.-max.)
Torque (min.-max.)
Screwdriver

2,5-25 mm ²
4-25 mm ²
1,5-10 mm ²
AWG 14-4
12-14 mm
1,2-2,0 Nm
IKT 5 (1,0x5,5)

1,5-50 mm ²
1,5-50 mm ²
1,5-16 mm ²
AWG 16-2
16-18 mm
2,5-3,5 Nm
IKT 6 (1,2x6,5)



Type	Cat.No.	Qty.
NPP / AVK 16	444 160	100
APP / AVK 16	462 160	25

Type	Cat.No.	Qty.
APP / AVK 35 RD	462 180	10



Type	Cat.No.	Qty.
UK 16/2	474 162	25
UK 16/3	474 163	22
UK 16/4	474 164	15
UK 16/10	474 169	5

Type	Cat.No.	Qty.
UK 35/2	474 172	25
UK 35/3	474 173	22
UK 35/4	474 174	15
UK 35/10	474 179	5

Technical Data
Rated Impulse Voltage / Pollution severity
Insulation material group / Gauge pin code according to IEC 60947-1
Protection class / Protection conductor type
Marking Tags (Dekafix)
See pages 326-333 for a list of Dekafix

8/3
1/B7
IP 20 / -
D-NS 12x10, DG 10/10

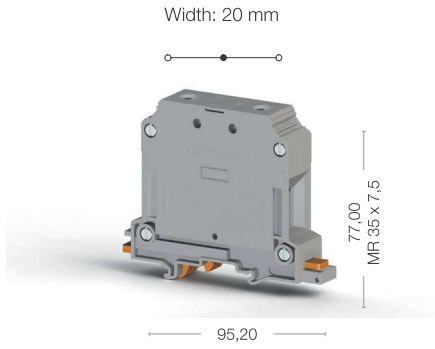
8/3
1/B9
IP 20 / -
D-NS 12x10, D-NS 14x10, DG 10/10

Package Quantity

50 pcs.

40 pcs.

AVK 50 PV



Cat No:

- 304 330 P
- 304 339 P
- 304 331 P

Voltage, V ~	Current, A	Cross-Section
1000	150	50 mm ²
1000	150	AWG 6-1/0

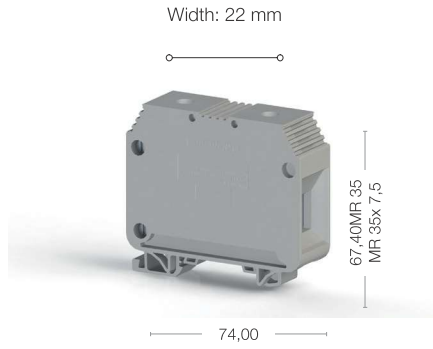
16-70 mm ²	25-50 mm ²	10-16 mm ²
AWG 10-1/0	22-24 mm	6-10 Nm
S 5 (DIN 6911)		

Type	Cat.No.	Qty.
UK 50/2	478 332	5
UK 50/3	478 333	5
UK 50/4	478 334	5

8/3	1/B10	IP 20 / -
KOIP SM W, SLF-P1 W		

25 pcs.

AVK 70 PV



Cat No:

- 304 190 P
- 304 199 P
- 304 191 P

Voltage, V ~	Current, A	Cross-Section
1000	192	70 mm ²
1000	175	AWG 6-2/0

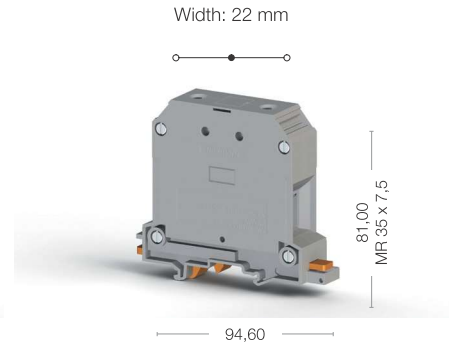
16-70 mm ²	16-70 mm ²	16-25 mm ²
AWG 6-2/0	22-24 mm	6-12 Nm
S 6 (DIN 6911)		

Type	Cat.No.	Qty.

8/3	1/A11	IP 20 / -
D-NS 12x10, D-NS 14x10, DG 10/10		

25 pcs.

AVK 70 RD PV



Cat No:

- 304 490 P
- 304 499 P
- 304 491 P

Voltage, V ~	Current, A	Cross-Section
1000	192	70 mm ²
1000	175	AWG 6-2/0

16-70 mm ²	16-70 mm ²	16-25 mm ²
AWG 6-2/0	22-24 mm	6-12 Nm
S 6 (DIN 6911)		

Type	Cat.No.	Qty.
UK 70/2	478 372	5
UK 70/3	478 373	5
UK 70/4	478 374	5

8/3	1/A11	IP 20 / -
D-NS 12x10, DG 10/10, SLF-P1 W		

10 pcs.

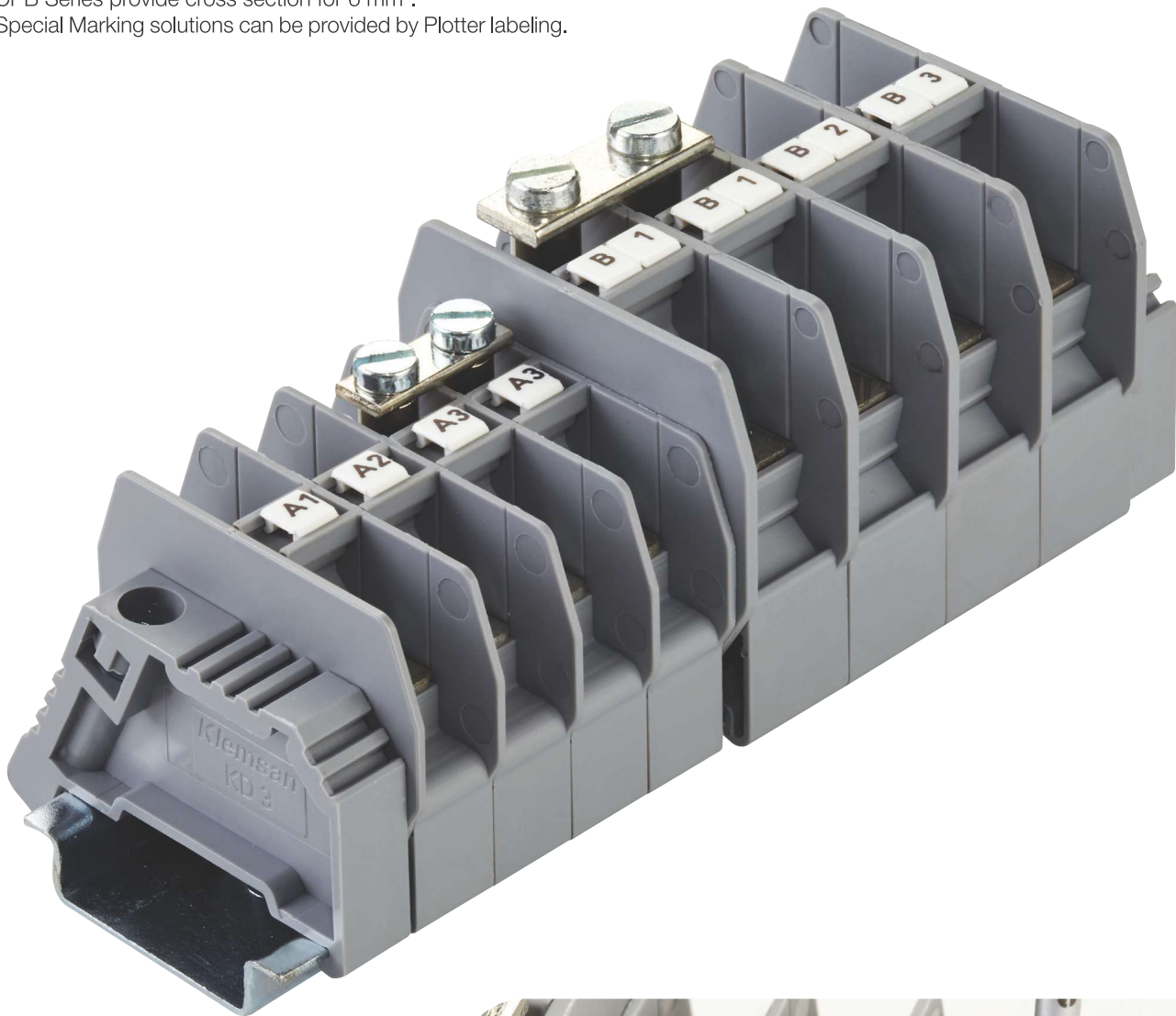
CPB Series Terminals

CPB Series Ring and Fork Type Plug inTerminals are suitable for heavy industries and provide practical safe connection. For series, cable assembly is done with insulated ring type terminals. With this feature, they are preferred in iron and steel plants, mining industry and medium voltage modular units. CPB Series provide cross section for 6 mm². Comb connector and End plate are available. Special Marking solutions can be provided by Plotter labeling.

Cable assembly for CPB Series is done with insulated fork type terminals.

CPB Series provide cross section for 6 mm².

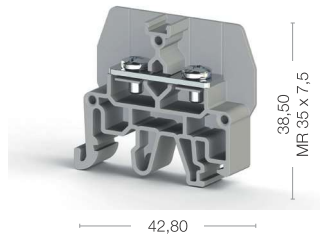
Special Marking solutions can be provided by Plotter labeling.



PB - CPB Series Feed Through and Earth Terminals

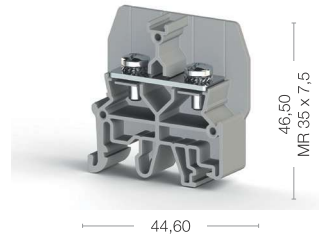
CPB 6

Width: 9,50 mm



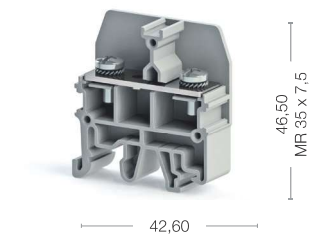
CPB 6 B

Width: 13 mm



CPB 6 U

Width: 13 mm



Cat No:

- 326 809
- 326 800

Cat No:

- 326 819
- 326 810

Cat No:

- 326 829



Electrical Ratings
CE (EN 60947-7-1 / EN 60947-7-2)
UL
VDE (IEC 60947-7-1)
CSA
ATEX

Voltage, V ~	Current, A	Cross-Section
800	41	6 mm ²

Voltage, V ~	Current, A	Cross-Section
800	57	10 mm ²

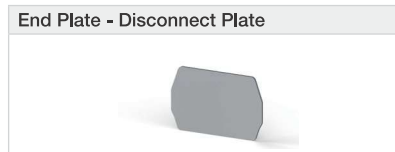
Voltage, V ~	Current, A	Cross-Section
500	57	10 mm ²

Connection Data
Conductor cross section solid (min.-max.)
Conductor cross section stranded (min.-max.)
AWG Conductor
Torque (min.-max.)
Bolt Diameter
Screwdriver

0,5-6 mm ²
0,5-6 mm ²
AWG 20-10
0,8-1,2 Nm
3,5 mm
IKT 4 (0,8x4,0)

0,5-10 mm ²
0,5-10 mm ²
AWG 20-8
1,2-1,8 Nm
4 mm
IKT 4 (0,8x4,0)

0,5-10 mm ²
0,5-10 mm ²
AWG 20-8
1,2-1,8 Nm
4 mm
IKT 4 (0,8x4,0)



Type	Cat.No.	Qty.
NPP CPB 6	450 289	50

Type	Cat.No.	Qty.
NPP/CPB 6	450 299	50

Type	Cat.No.	Qty.
NPP/CPB 6	450 299	50



Type	Cat.No.	Qty.
UK 9,5/2	480 192	25
UK 9,5/3	480 193	20
UK 9,5/4	480 194	15
UK 9,5/7	480 197	10
UK 9,5/10	480 199	5

Type	Cat.No.	Qty.
UK 13/2	480 202	25
UK 13/3	480 203	20
UK 13/4	480 204	15
UK 13/7	480 207	10
UK 13/10	480 209	5

Type	Cat.No.	Qty.
UK 13/2	480 202	25
UK 13/3	480 203	20
UK 13/4	480 204	15
UK 13/7	480 207	10
UK 13/10	480 209	5

Technical Data
Rated Impulse Voltage / Pollution severity
Insulation material group / Gauge pin code according to IEC 60947-1
Protection class / Protection conductor type
Marking Tags (Dekafix)
See pages 326-333 for a list of Dekafix

8/3
1/NA
IP 20
D-NS 5x6, DB 5, DG 6/5

8/3
1/NA
IP 20
D-NS 5x6, DB 5, DG 6/5

8/3
1/NA
IP 20
D-NS 5x6, DB 5, DG 6/5

Package Quantity
50 pcs.

50 pcs.

25 pcs.

25 pcs.

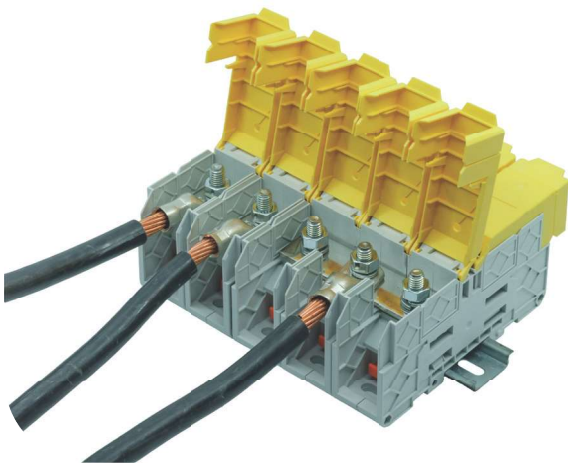
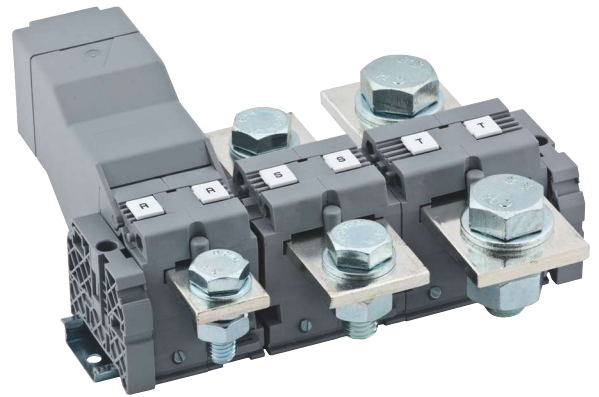
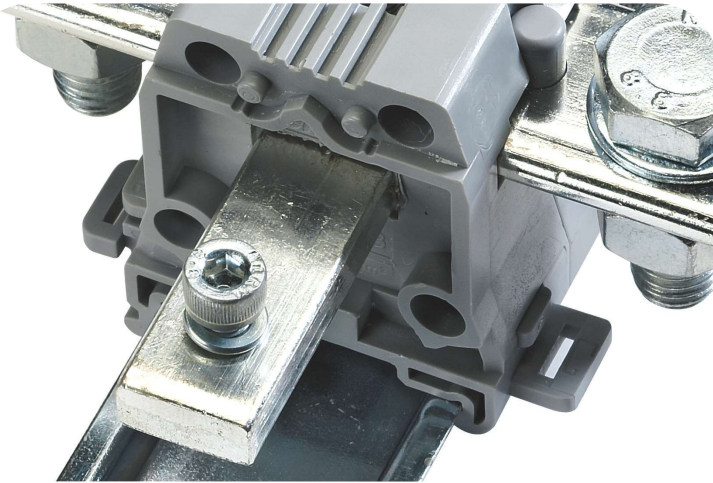
High Current / PB Series / Bolt Connection Terminals

AVK Series Screw Connection High Current Terminals provide 50 240 mm² cross-section range. Cross Connection can be used for terminals with all cross-sections. These terminal blocks are fixed to each other via pins on sides, providing a rigid performance on DIN Rail and easy montage advantages in constricted environments where connection with Insulated Terminals are difficult. EK-6 terminals are used for taking additional cable (for signals etc.) from high current (big cross sectioned) terminal blocks. Marking solutions can be provided by Plotter Labeling.



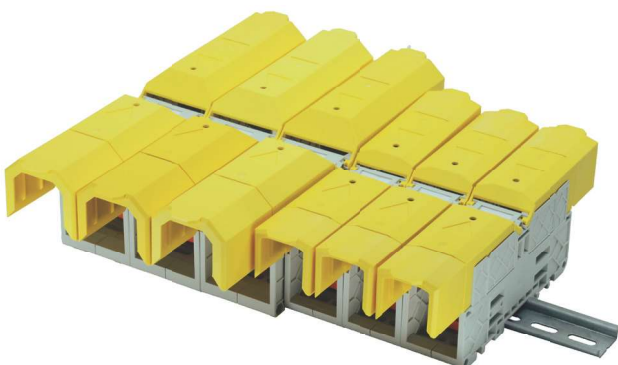
For the panels where connection on din rails are not possible, AVK PB Series Screw Connection High Current Terminal is a good alternative where it can be mounted directly into the base of the cabinet with screws. These terminals have all the same features as High Current Terminals mounted on DIN-Rail. Special Marking solutions for each cross section can be provided by Plotter Labeling.

AVK Busbar Type High Current Terminals provides 95 240 mm² cross-section range, when cable connection is done by insulated terminals connected to the Types of the conductor. Isolation cover is designed for insulated terminals having different dimensions. Cross Connection can be used for terminals with all cross-sections. A fixing screw is available in order to maintain a more secure mounting on the DIN rail. Marking solutions can be provided by Plotter Labeling.



The Klemmsan PAK Series Terminal Blocks provide high current carrying capacity and ensure secure connections, as they are:

- Fully insulated with its cover and enclosure structures
- In compliance with EN 45545-2 and UL-94 standards
- In the V0 inflammability class
- Compatible with different cable lugs



High Current Terminals

AVK 50

Width: 20 mm



Cat No:

- 304 330
- 304 339

Hexagon Socket Screw

AVK 70 RD

Width: 22 mm



Cat No:

- 304 490
- 304 499

Hexagon Socket Screw



Electrical Ratings
CE (EN 60947-7-1)
UL
VDE (IEC 60947-7-1)
CSA
ATEX

Voltage, V ~	Current, A	Cross-Section
1000	150	50 mm ²
600	150	AWG 6-1/0
800	133	16-50 mm ²

Voltage, V ~	Current, A	Cross-Section
1000	192	70 mm ²
600	175	AWG 6-2/0
630	162	16-70 mm ²

Connection Data
Conductor cross section solid (min.-max.)
Conductor cross section stranded (min.-max.)
2 conductors with same cross section, stranded, TWIN ferrules with plastic sleeve, (min.-max.)
AWG Conductor
Insulation Stripping Length (min.-max.)
Torque (min.-max.)
Screwdriver

16-70 mm ²
25-50 mm ²
10-16 mm ²
AWG 10-1/0
22-24 mm
6-10 Nm
S5 (DIN 6911)

16-70 mm ²
16-70 mm ²
16-25 mm ²
AWG 6-2/0
22-24 mm
6-12 Nm
S6 (DIN 6911)

Cross Connection

Type	Cat.No.	Qty.
UK 50/2	478 332	5
UK 50/3	478 333	5
UK 50/4	478 334	5

Type	Cat.No.	Qty.
UK 70/2	478 372	5
UK 70/3	478 373	5
UK 70/4	478 374	5

AVK / EK6

Technical Data
Rated Impulse Voltage / Pollution severity
Insulation material group / Gauge pin code according to IEC 60947-1
Protection class / Protection conductor type
Marking Tags (Dekafix)
See pages 326-333 for a list of Dekafix

8/3
1/B10
IP 10 / -
KOIP SW, SLF-P1 W

8/3
1/A11
IP 10 / -
KOIP SW, SLF-P1 W

Package Quantity
25 pcs.

25 pcs.

Package Quantity
10 pcs.

AVK 95

Width: 25 mm



95,20

Cat No:

- 304 340
- 304 349

Hexagon Socket Screw

Voltage, V ~	Current, A	Cross-Section
1000	232	95 mm ²
600	230	AWG 2-4/0
1000	193	35-95 mm ²

25-95 mm ²
35-95 mm ²
16-35 mm ²
AWG 4-3/0
26-28 mm
10-15 Nm
S6 (DIN 6911)

Type	Cat.No.	Qty.
UK 95/2	478 342	5
UK 95/3	478 343	5
UK 95/4	478 344	5

Type	Cat.No.	Qty.
AVK / EK6	304 370	20

8/3
1/B12
IP 10 / -
KOIP SW, SLF-P1 W

6 pcs.

AVK 150

Width: 31 mm



95,50

Cat No:

- 304 350
- 304 359

Hexagon Socket Screw

Voltage, V ~	Current, A	Cross-Section
1000	309	150 mm ²
600	270	2-300 kcmil
1000	249	50-150 mm ²

35-150 mm ²
50-150 mm ²
25-50 mm ²
AWG 2-300 kcmil
29-31 mm
10-18 Nm
S8 (DIN 6911)

Type	Cat.No.	Qty.
UK 150/2	478 352	5
UK 150/3	478 353	5
UK 150/4	478 354	5

Type	Cat.No.	Qty.
AVK / EK6	304 370	20

8/3
1/B14
IP 10 / -
KOIP SW, SLF-P1 W

4 pcs.

AVK 240

Width: 36 mm



95,50

Cat No:

- 304 360
- 304 369

Hexagon Socket Screw

Voltage, V ~	Current, A	Cross-Section
1000	415	240 mm ²
600	370	2/0-500 kcmil
1000	337	70-240 mm ²

50-240 mm ²
70-240 mm ²
35-50 mm ²
AWG 2/0-500 kcmil
33-35 mm
10-20 Nm
S8 (DIN 6911)

Type	Cat.No.	Qty.
UK 240/2	478 362	5
UK 240/3	478 363	5
UK 240/4	478 364	5

Type	Cat.No.	Qty.
AVK / EK6	304 370	20

8/3
1/A16
IP 10 / -
KOIP SW, SLF-P1 W

4 pcs.

PB Series Terminals Panel Mount Terminals

AVK PB 50

Width: 20 mm



Cat No:

- 304 440
- 304 449

Hexagon Socket Screw

AVK PB 70 RD

Width: 22 mm



Cat No:

- 304 450
- 304 459

Hexagon Socket Screw



Electrical Ratings
CE (EN 60947-7-1)
UL
VDE (IEC 60947-7-1)
CSA
ATEX

Voltage, V ~	Current, A	Cross-Section
1000	150	50 mm ²

Voltage, V ~	Current, A	Cross-Section
1000	192	70 mm ²

Connection Data
Conductor cross section solid (min.-max.)
Conductor cross section stranded (min.-max.)
2 conductors with same cross section, stranded, TWIN ferrules with plastic sleeve, (min.-max.)
AWG Conductor
Insulation Stripping Length (min.-max.)
Torque (min.-max.)
Screwdriver

16-70 mm ²
25-50 mm ²
10-16 mm ²
AWG 10-1/0
22-24 mm
6-10 Nm
S5 (DIN 6911)

16-70 mm ²
16-70 mm ²
16-25 mm ²
AWG 6-2/0
22-24 mm
6-12 Nm
S6 (DIN 6911)

Cross Connection

Type	Cat.No.	Qty.
UK 50/2	478 332	5
UK 50/3	478 333	5
UK 50/4	478 334	5

Type	Cat.No.	Qty.
UK 70/2	478 372	5
UK 70/3	478 373	5
UK 70/4	478 374	5

AVK / EK6

Technical Data
Rated Impulse Voltage / Pollution severity
Insulation material group / Gauge pin code according to IEC 60947-1
Protection class / Protection conductor type
Marking Tags (Dekafix)
See pages 326-333 for a list of Dekafix

8/3
1/B10
IP 10 / -
KOIP SW, SLF-P1 W

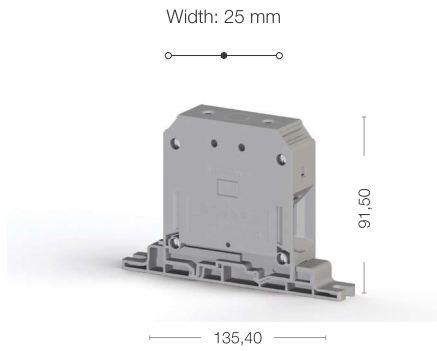
8/3
1/A11
IP 10 / -
KOIP SW, SLF-P1 W

Package Quantity

6 pcs.

6 pcs.

AVK PB 95



Cat No:

- 304 460
- 304 469

Hexagon Socket Screw

Voltage, V ~	Current, A	Cross-Section
1000	232	95 mm ²

	25-95 mm ²	
	35-95 mm ²	
	16-35 mm ²	
	AWG 4-3/0	
	26-28 mm	
	10-15 Nm	
	S6 (DIN 6911)	

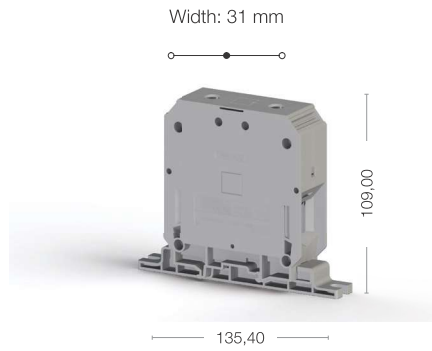
Type	Cat.No.	Qty.
UK 95/2	478 342	5
UK 95/3	478 343	5
UK 95/4	478 344	5

Type	Cat.No.	Qty.
AVK / EK6	304 370	20

8/3		
1/B12		
IP 10 / -		
KOIP SW, SLF-P1 W		

6 pcs.

AVK PB 150



Cat No:

- 304 470
- 304 479

Hexagon Socket Screw

Voltage, V ~	Current, A	Cross-Section
1000	309	150 mm ²

	35-150 mm ²	
	50-150 mm ²	
	25-50 mm ²	
	AWG 2/300 kcmil	
	29-31 mm	
	10-18 Nm	
	S8 (DIN 6911)	

Type	Cat.No.	Qty.
UK 150/2	478 352	5
UK 150/3	478 353	5
UK 150/4	478 354	5

Type	Cat.No.	Qty.
AVK / EK6	304 370	20

8/3		
1/B14		
IP 10 / -		
KOIP SW, SLF-P1 W		

4 pcs.

AVK PB 240



Cat No:

- 304 480
- 304 489

Hexagon Socket Screw

Voltage, V ~	Current, A	Cross-Section
1000	415	240 mm ²

	50-240 mm ²	
	70-240 mm ²	
	35-50 mm ²	
	AWG 2/0 500 kcmil	
	33-35 mm	
	10-20 Nm	
	S8 (DIN 6911)	

Type	Cat.No.	Qty.
UK 240/2	478 362	5
UK 240/3	478 363	5
UK 240/4	478 364	5

Type	Cat.No.	Qty.
AVK / EK6	304 370	20

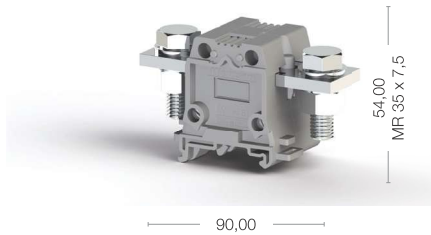
8/3		
1/A16		
IP 10 / -		
KOIP SW, SLF-P1 W		

6 pcs.

Bolt Connection Terminals

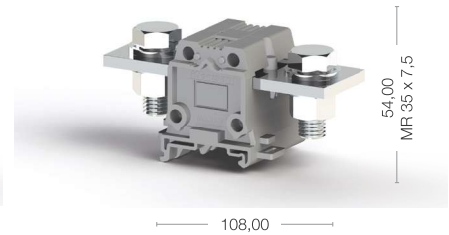
AVK 95 B

Width: 40 mm



AVK 150 B

Width: 48 mm



Cat No:

- 304 300
- 304 309

Cat No:

- 304 310
- 304 319



Electrical Ratings
CE (EN 60947-7-1)
UL
VDE (IEC 60947-7-1)
CSA
ATEX


Voltage, V ~	Current, A	Cross-Section
1000	232	95 mm ²

Voltage, V ~	Current, A	Cross-Section
1000	309	150 mm ²

Connection Data
Conductor cross section solid (min-max.)
Conductor cross section stranded (min.-max.)
AWG Conductor
Insulation Stripping Length
Torque (min-max.)
Hole Diameter
Bolt Diameter
Screwdriver


25-95 mm ²
35-95 mm ²
AWG 4-3/0
29 mm
25-30 Nm
10,5 mm
10 mm
17 (DIN 3110)

35-150 mm ²
50-150 mm ²
AWG 2/300 kcmil
34 mm
25-30 Nm
13 mm
12 mm
19 (DIN 3110)

Cross Connection


Type	Cat.No.	Qty.
UKB 95/2	478 302	5
UKB 95/3	478 303	5
UKB 95/4	478 304	5

Type	Cat.No.	Qty.
UKB 150/2	478 312	5
UKB 150/3	478 313	5
UKB 150/4	478 314	5

Isolation Cover


Type	Cat.No.	Qty.
KKB 95	466 100	4

Type	Cat.No.	Qty.
KKB 150	466 110	4

Technical Data
Rated Impulse Voltage / Pollution severity
Insulation material group / Gauge pin code according to IEC 60947-1
Protection class / Protection conductor type
Marking Tags (Dekafix)
See pages 326-333 for a list of Dekafix

8/3
1/NA
IP 10 / -
D-NS 10x10, DG 10/10

8/3
1/NA
IP 10 / -
D-NS 10x10, DG 10/10

Package Quantity

4 pcs.

4 pcs.

AVK 240 B

Width: 53 mm



Cat No:

- 304 320
- 304 329

Voltage, V ~	Current, A	Cross-Section
1000	415	240 mm ²

70-240 mm ²
70-240 mm ²
AWG 2/0 - 500 kcmil
34 mm
30-35 Nm
17 mm
16 mm
24 (DIN 3110)

Type	Cat.No.	Qty.
UKB 240/2	478 322	5
UKB 240/3	478 323	5
UKB 240/4	478 324	5

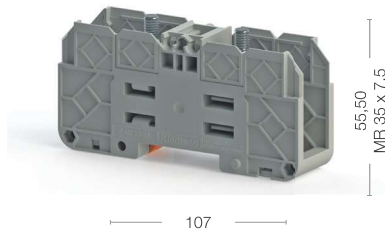
Type	Cat.No.	Qty.
KKB 240	466 120	4

8/3
1/NA
IP 10 / -
D-NS 10x10, DG 10/10
4 pcs.

PAK Series

PAK 25-35

Width: 27 mm



55,50
MR 35 x 7,5

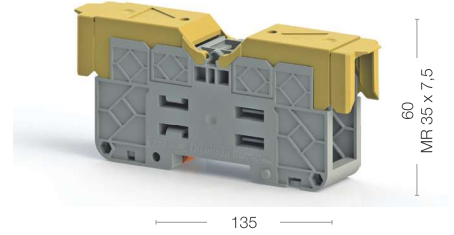
107

Cat No:

■ 313 009

PAK 25-35 KK

Width: 27 mm



60
MR 35 x 7,5

135

Cat No:

■ 313 019



Electrical Ratings
CE (EN 60947-7-1 / EN 60947-7-2)
UL
VDE (IEC 60947-7-1)
CSA
ATEX

Voltage, V ~	Current, A	Cross-Section
1000	125	2,5-50 mm ²

Voltage, V ~	Current, A	Cross-Section
1000	125	2,5-50 mm ²

Connection Data
Connection in acc. with standard
Cable lugs DIN 46234
Cable lugs DIN 46235
Cable lugs DIN 46234
Cable lugs DIN 46235
Bolt
Tightening torque, min
Tightening torque max


DIN 46234 / DIN46235
2,5 - 50 mm ²
6 - 25 mm ²
14 - 1/0 AWG
10 - 4 AWG
M 6
3 Nm
6 Nm

DIN 46234 / DIN46235
2,5 - 50 mm ²
6 - 25 mm ²
14 - 1/0 AWG
10 - 4 AWG
M 6
3 Nm
6 Nm

Protection Cover


Type	Cat.No.	Qty.
COVER PAK 25-35	466 173	10

Type	Cat.No.	Qty.

Comb Connection


Type	Cat.No.	Qty.
UK 35/2	472 002	5
UK 35/3	472 003	5

Type	Cat.No.	Qty.
UK 35/2	472 002	5
UK 35/3	472 003	5

Technical Data
Rated Impulse Voltage / Pollution severity
Insulation material group / Gauge pin code according to IEC 60947-1
Protection class / Protection conductor type
Marking Tags (Dekafix)
See pages 326-333 for a list of Dekafix

8/3
1/NA
IP 20
DG 10/6, D-NS 12x10, SLF-P1W

8/3
1/NA
IP 20
DG 10/6, D-NS 12x10, SLF-P1W

Package Quantity

10 pcs.

10 pcs.

PAK 50-70

Width: 31,80 mm



64
MR 35 x 7,5

132

Cat No:

313 049

PAK 50-70 KK

Width: 31,80 mm



70
MR 35 x 7,5

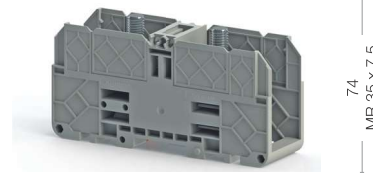
170

Cat No:

313 059

PAK 95-150

Width: 41 mm



74
MR 35 x 7,5

144

Cat No:

313 089

Voltage, V ~	Current, A	Cross-Section
1000	192	2,5-95 mm ²

DIN 46234 / DIN 46235		
2,5 - 95 mm ²		
16 - 70 mm ²		
14 - 3/0 AWG		
6 - 2/0 AWG		
M 8		
6 Nm		
12 Nm		

Type	Cat.No.	Qty.
COVER PAK 50-70	466 183	10

Type	Cat.No.	Qty.
UK 70/2	472 012	5
UK 70/3	472 013	5

8/3
1/NA
IP 20
DG 10/6, D-NS 12x10, SLF-P1W

10 pcs.

Voltage, V ~	Current, A	Cross-Section
1000	192	2,5-95 mm ²

DIN 46234 / DIN 46235		
2,5 - 95 mm ²		
16 - 70 mm ²		
14 - 3/0 AWG		
6 - 2/0 AWG		
M 8		
6 Nm		
12 Nm		

Type	Cat.No.	Qty.

Type	Cat.No.	Qty.
UK 70/2	472 012	5
UK 70/3	472 013	5

8/3
1/NA
IP 20
DG 10/6, D-NS 12x10, SLF-P1W

10 pcs.

Voltage, V ~	Current, A	Cross-Section
1000	309	6-150 mm ²

DIN 46234 / DIN 46235		
6 - 150 mm ²		
16 - 150 mm ²		
10 AWG - 300 kcmil		
6 AWG - 300 kcmil		
M 10		
10 Nm		
20 Nm		

Type	Cat.No.	Qty.
COVER PAK 95-150	466 193	10

Type	Cat.No.	Qty.
UK 150/2	472 022	5
UK 150/3	472 023	5

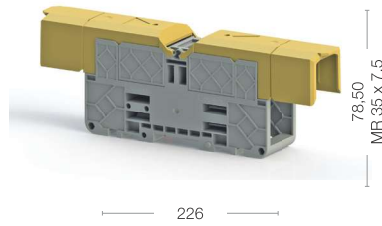
8/3
1/NA
IP 20
DG 10/6, D-NS 12x10, D-NS 14x10, SLF-P1W

5 pcs.

PAK Series

PAK 95-150 KK

Width: 41 mm

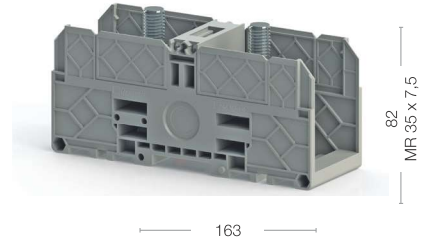


Cat No:

■ 313 099

PAK 185-240

Width: 55 mm



Cat No:

■ 313 129



Electrical Ratings
CE (EN 60947-7-1 / EN 60947-7-2)
UL
VDE (IEC 60947-7-1)
CSA
ATEX

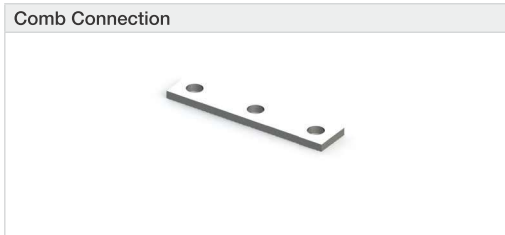
Voltage, V ~	Current, A	Cross-Section
1000	309	6-150 mm ²

Voltage, V ~	Current, A	Cross-Section
1000	415	10-240 mm ²

Connection Data
Connection in acc. with standard
Cable lugs DIN 46234
Cable lugs DIN 46235
Cable lugs DIN 46234
Cable lugs DIN 46235
Bolt
Tightening torque, min
Tightening torque max

DIN 46234 / DIN 46235
6 - 150 mm ²
16 - 150 mm ²
10 AWG - 300 kcmil
6 AWG - 300 kcmil
M 10
10 Nm
20 Nm

DIN 46234 / DIN 46235
10 - 240 mm ²
25 - 240 mm ²
8 AWG - 500 kcmil
4 AWG - 500 kcmil
M 12
14 Nm
30 Nm



Type	Cat.No.	Qty.

Type	Cat.No.	Qty.
COVER PAK 185-300	466 203	10

Type	Cat.No.	Qty.
UK 150/2	472 022	5
UK 150/3	472 023	5

Type	Cat.No.	Qty.
UK 240/2	472 032	5
UK 240/3	472 033	5

Technical Data
Rated Impulse Voltage / Pollution severity
Insulation material group / Gauge pin code according to IEC 60947-1
Protection class / Protection conductor type
Marking Tags (Dekafix)
See pages 326-333 for a list of Dekafix

8/3
1/NA
IP 20
DG 10/6, D-NS 12x10, D-NS 14x10, SLF-P1W

8/3
1/NA
IP 20
DG 10/6, D-NS 12x10, D-NS 14x10, SLF-P1W

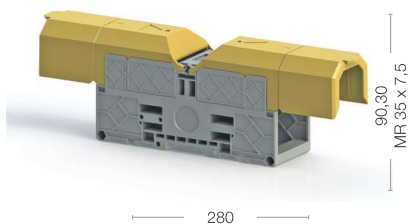
Package Quantity

5 pcs.

5 pcs.

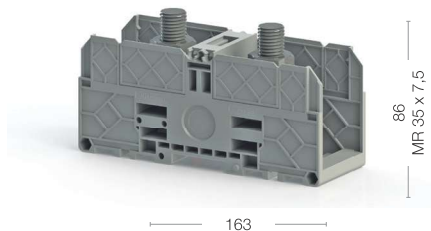
PAK 185-240 KK

Width: 55 mm



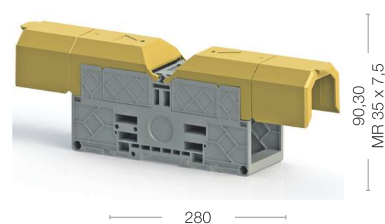
PAK 300

Width: 55 mm



PAK 300 KK

Width: 55 mm



Cat No:

■ 313 139

Voltage, V ~	Current, A	Cross-Section
1000	415	10-240 mm ²

DIN 46234 / DIN 46235
10 - 240 mm ²
25 - 240 mm ²
8 AWG - 500 kcmil
4 AWG - 500 kcmil
M 12
14 Nm
30 Nm

Type	Cat.No.	Qty.

Type	Cat.No.	Qty.
UK 240/2	472 032	5
UK 240/3	472 033	5

8/3
1/NA
IP 20
DG 10/6, D-NS 12x10, D-NS 14x10, SLF-P1W

5 pcs.

Cat No:

■ 313 169

Voltage, V ~	Current, A	Cross-Section
1000	520	25-300 mm ²

DIN 46234 / DIN 46235
25 - 240 mm ²
50 - 300 mm ²
4 AWG - 500 kcmil
1/0 AWG - 600 kcmil
M 16
25 Nm
35 Nm

Type	Cat.No.	Qty.
COVER PAK 185-300	466 203	10

Type	Cat.No.	Qty.
UK 300/2	472 042	5
UK 300/3	472 043	5

8/3
1/NA
IP 20
DG 10/6, D-NS 12x10, D-NS 14x10, SLF-P1W

5 pcs.

Cat No:

■ 313 179

Voltage, V ~	Current, A	Cross-Section
1000	520	25-300 mm ²

DIN 46234 / DIN 46235
25 - 240 mm ²
50 - 300 mm ²
4 AWG - 500 kcmil
1/0 AWG - 600 kcmil
M 16
25 Nm
35 Nm

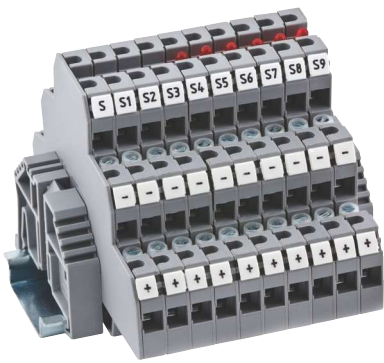
Type	Cat.No.	Qty.

Type	Cat.No.	Qty.
UK 300/2	472 042	5
UK 300/3	472 043	5

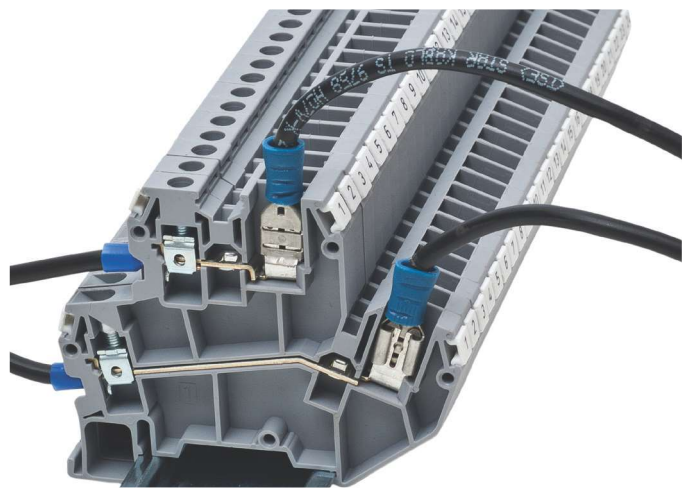
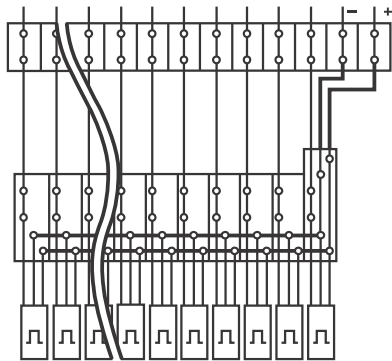
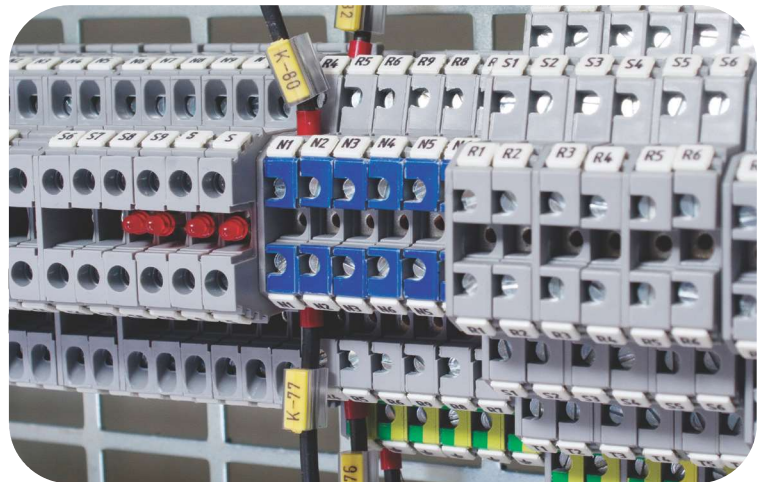
8/3
1/NA
IP 20
DG 10/6, D-NS 12x10, D-NS 14x10, SLF-P1W

5 pcs.

Screw Type Multilevel / Sensor Terminals



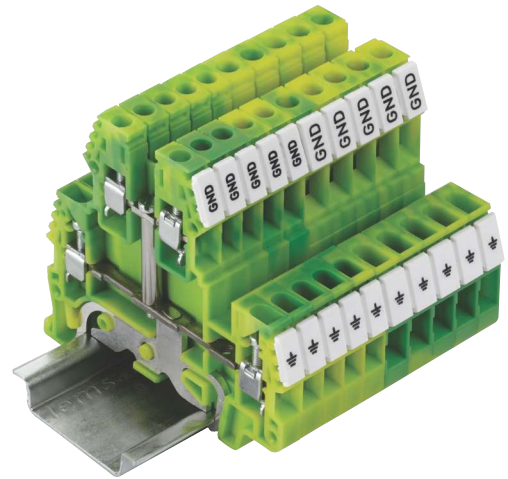
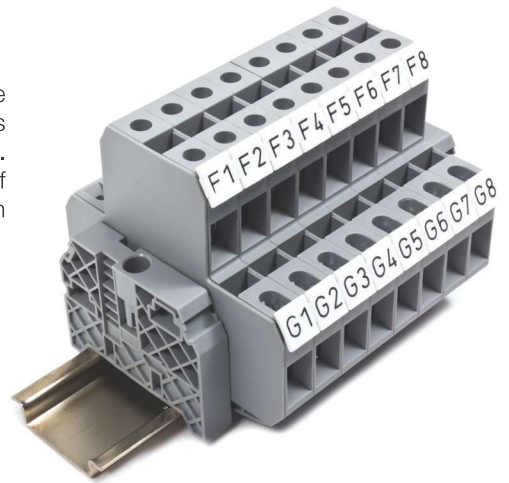
PUK Series Screw Connection Sensor Terminals are making sensor connections, which are often used in industry, more practical and esthetic. Provide individual cross connections for each layer, time saving in mounting process. Terminals can be used with NPN and PNP types of sensors. Special Marking solutions for each cross section can be provided by Plotter Labeling.



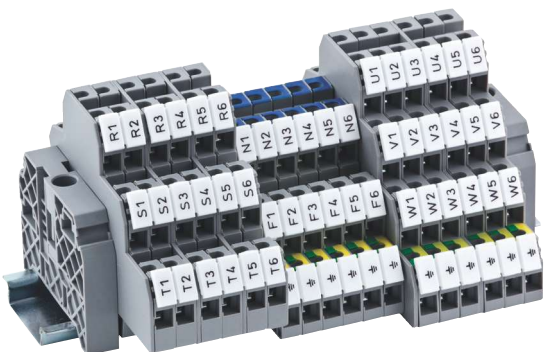
50% space saving

PIK Series Screw Connection Double-Deck Rail Terminals provide 2,5 - 4 - 10 mm² cross-section range. Double wiring density available without extension of mounting rails. Interconnection / shorting can be done at both layers. Special Marking solutions for each cross section can be provided by Plotter Labeling. The color of products can be selected from the color table.

Fine strand wire up to 16 mm² cross-section can be used in panels with limited space. PIK series terminals allow you to make more connections in less space. Usage with Cross Connections gains features of distribution block. Special Marking solutions for each cross section can be provided by Plotter Labeling.



Double Deck Earth Terminals can be used in panels with limited space. Multipole connection on a single block and cross connection on both levels provide practical Earth connection. Special Marking solutions for each cross section can be provided by Plotter Labeling.

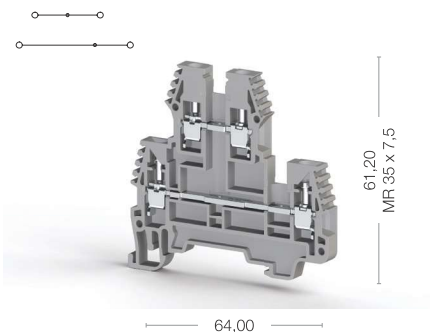


PUK Series Screw Connection Multilevel terminals provides solutions for different users' needs. They are ideal for limited spaces with their compact designs. In panels which exist switch lines & lightening, provide phase-neutral-Earth connection in one terminal. PUK Series are ideal for usage in industries where motors are working a lot, with practical wiring. Cross connection can be used on each level. Special Marking solutions for each cross section can be provided by Plotter Labeling.

Screw Type Double - Deck Terminals

PIK 2,5 N

Width: 5 mm

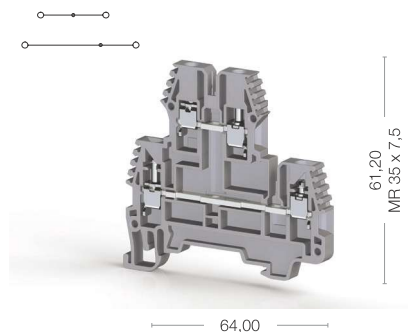


Cat No:

317 109 317 100
317 100

PIK 2,5 RD

Width: 5 mm



Cat No:

325 249 325 241
325 240



Electrical Ratings
CE (EN 60947-7-1)
UL
VDE (IEC 60947-7-1)
CSA
ATEX

Voltage, V ~	Current, A	Cross-Section
500	24	2,5 mm ²
300	20	AWG 26-12
400	19	0,5-2,5 mm ²

Voltage, V ~	Current, A	Cross-Section
500	24	2,5 mm ²

Connection Data
Conductor cross section solid (min-max.)
Conductor cross section stranded (min.-max.)
2 conductors with same cross section, stranded, TWIN ferrules with plastic sleeve, (min-max.)
AWG Conductor
Insulation Stripping Length (min.-max.)
Torque (min-max.)
Screwdriver

0,2-4 mm ²
0,2-4 mm ²
0,5-1,5 mm ²
AWG 24-12
9-10 mm
0,4-0,6 Nm
IKT 3 (0,6x3,5)

0,2-4 mm ²
0,2-4 mm ²
0,5-1,5 mm ²
AWG 24-12
9-10 mm
0,4-0,6 Nm
IKT 3 (0,6x3,5)

Ordering Data

Technical Data For Diode
Diode Voltage
Diode Current
Diode

End Plate

Type	Cat.No.	Qty.
NPP/PIK 2,5-4 N	449 019	25

Type	Cat.No.	Qty.
NPP/PIK 2,5-4 N	449 019	25

Small Partition

Type	Cat.No.	Qty.
AD 1	467 919	100

Cross Connection

Type	Cat.No.	Qty.
UK 2,5/2	474 122	25
UK 2,5/3	474 123	20
UK 2,5/4	474 124	15
UK 2,5/10	474 129	5
UK 2,5/50	474 210	20

Type	Cat.No.	Qty.
UK 2,5/2	476 222	25
UK 2,5/3	476 223	20
UK 2,5/4	476 224	15
UK 2,5/10	476 229	5
UK 2,5/16	474 260	10
UK 2,5/20	474 200	10
UK 2,5/50	476 350	5

Technical Data
Rated Impulse Voltage / Pollution severity
Insulation material group / Gauge pin code according to IEC 60947-1
Protection class / Protection conductor type
Marking Tags (Dekafix)
See pages 326-333 for a list of Dekafix

6/3
1/A3
IP 20 / -
D-NS 5x10, DB 10/5, DG 10/5, DG 10/5T

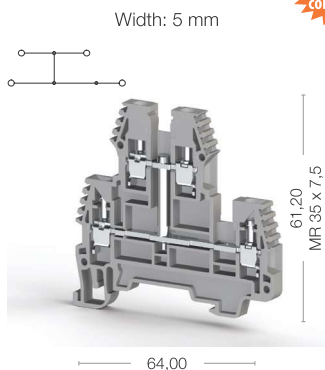
6/3
1/A3
IP 20 / -
D-NS 5x10, DB 10/5, DG 10/5, DG 10/5T

Package Quantity
100 pcs.

100 pcs.

100 pcs.

PIK 2,5 NK



Cat No:

- 317 129
- 317 121
- 317 120

Voltage, V ~	Current, A	Cross-Section
500	24	2,5 mm ²
300	20	AWG 26-12
400	19	0,5-2,5 mm ²

0,2-4 mm ²
0,2-4 mm ²
0,5-1,5 mm ²
AWG 24-12
9-10 mm
0,4-0,6 Nm
IKT 3 (0,6x3,5)

Type	Cat.No.	Qty.
NPP/PIK 2,5-4 N	449 019	25

Type	Cat.No.	Qty.
AD 1	467 919	100

Type	Cat.No.	Qty.
UK 2,5/2	474 122	25
UK 2,5/3	474 123	20
UK 2,5/4	474 124	15
UK 2,5/10	474 129	5
UK 2,5/50	474 210	20

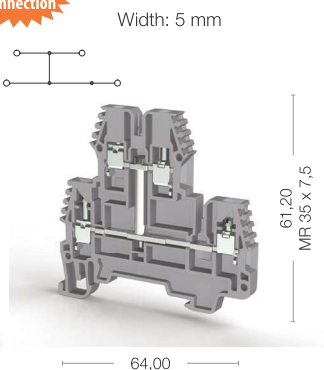
Note: Only lower decks can be cross-connected

6/3
1/A3
IP 20 / -
D-NS 5x10, DB 10/5, DG 10/5, DG 10/5T

20 pcs.



PIK 2,5 RDK



Cat No:

- 325 259
- 325 250

Voltage, V ~	Current, A	Cross-Section
500	24	2,5 mm ²

0,2-4 mm ²
0,2-4 mm ²
0,5-1,5 mm ²
AWG 24-12
9-10 mm
0,4-0,6 Nm
IKT 3 (0,6x3,5)

Type	Cat.No.	Qty.
NPP/PIK 2,5-4 N	449 019	25

Type	Cat.No.	Qty.
AD 1	467 919	100

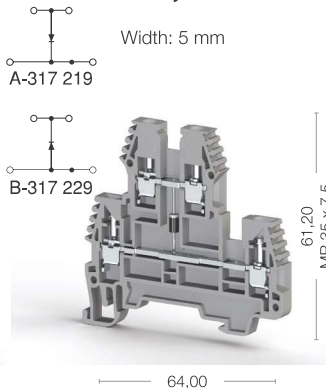
Type	Cat.No.	Qty.
UK 2,5/2	476 222	25
UK 2,5/3	476 223	20
UK 2,5/4	476 224	15
UK 2,5/10	476 229	5
UK 2,5/16	474 260	10
UK 2,5/20	474 200	10
UK 2,5/50	476 350	5

Note: Only lower decks can be cross-connected

6/3
1/A3
IP 20 / -
D-NS 5x10, DB 10/5, DG 10/5, DG 10/5T

100 pcs.

PIK 2,5 ND



Cat No:

- 317 219
- 317 210

Voltage, V ~	Current, A	Cross-Section
500	1	2,5 mm ²
300	20	AWG 26-12
400	21,5	

0,2-4 mm ²
0,2-4 mm ²
0,5-1,5 mm ²
AWG 24-12
9-10 mm
0,4-0,6 Nm
IKT 3 (0,6x3,5)

Type	Cat.No.	Qty.
PIK 2,5 ND A	317 219	20
PIK 2,5 ND B	317 229	20

1000 V
1 A
1 N 4007

Type	Cat.No.	Qty.
NPP/PIK 2,5-4 N	449 019	25

Type	Cat.No.	Qty.
AD 1	467 919	100

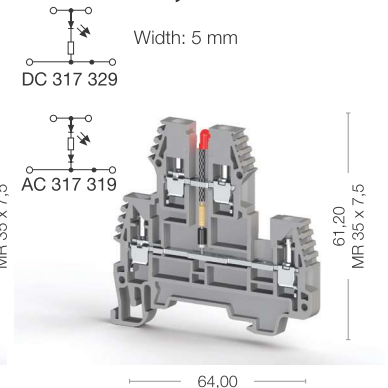
Type	Cat.No.	Qty.
UK 2,5/2	474 122	25
UK 2,5/3	474 123	20
UK 2,5/4	474 124	15
UK 2,5/10	474 129	5
UK 2,5/50	474 210	20

Note: Only lower decks can be cross-connected

6/3
1/A3
IP 20 / -
D-NS 5x10, DB 10/5, DG 10/5, DG 10/5T

20 pcs.

PIK 2,5 NLD



Cat No:

- 317 319
- 317 310

Voltage, V ~	Current, A	Cross-Section
	24	2,5 mm ²
	20	AWG 26-12
	21,5	

0,2-4 mm ²
0,2-4 mm ²
0,5-1,5 mm ²
AWG 24-12
9-10 mm
0,4-0,6 Nm
IKT 3 (0,6x3,5)

Type	Cat.No.	Qty.
PIK 2,5 NLD (24AC)	317 319	20
PIK 2,5 NLD (24DC)	317 329	20
PIK 2,5 NLD (48AC)	317 419	20
PIK 2,5 NLD (48DC)	317 429	20
PIK 2,5 NLD (110AC)	317 619	20
PIK 2,5 NLD (110DC)	317 629	20
PIK 2,5 NLD (220AC)	317 719	20
PIK 2,5 NLD (220DC)	317 729	20

Type	Cat.No.	Qty.
NPP/PIK 2,5-4 N	449 019	25

Type	Cat.No.	Qty.
AD 1	467 919	100

Type	Cat.No.	Qty.
UK 2,5/2	474 122	25
UK 2,5/3	474 123	20
UK 2,5/4	474 124	15
UK 2,5/10	474 129	5
UK 2,5/50	474 210	20

Note: Only lower decks can be cross-connected

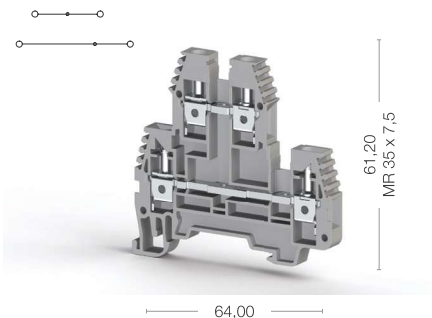
6/3
1/A3
IP 20 / -
D-NS 5x10, DB 10/5, DG 10/5, DG 10/5T

20 pcs.

Screw Type Double - Deck Terminals

PIK 4 N

Width: 6 mm

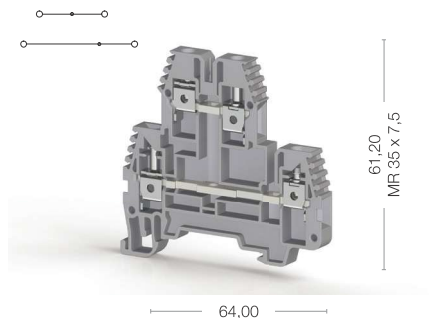


Cat No:

319 109 319 101
319 100

PIK 4 RD

Width: 6 mm



Cat No:

325 349 324 341
325 340



Electrical Ratings	Voltage, V ~	Current, A	Cross-Section	Voltage, V ~	Current, A	Cross-Section
CE (EN 60947-7-1)	500	32	4 mm ²	500	32	4 mm ²
UL	300	30	AWG 26-10			
VDE (IEC 60947-7-1)						
CSA						
ATEX	400	26	0,5-4 mm ²			

Connection Data			
Conductor cross section solid (min.-max.)		0,2-6 mm ²	0,2-6 mm ²
Conductor cross section stranded (min.-max.)		0,2-6 mm ²	0,2-6 mm ²
2 conductors with same cross section, stranded, TWIN ferrules with plastic sleeve, (min.-max.)		0,5-2,5 mm ²	0,5-2,5 mm ²
AWG Conductor		AWG 24-10	AWG 24-10
Insulation Stripping Length (min.-max.)		9-10 mm	9-10 mm
Torque (min.-max.)		0,5-0,8 Nm	0,5-0,8 Nm
Screwdriver		IKT 3 (0,6x3,5)	IKT 3 (0,6x3,5)

Ordering Data			

Technical Data For Diode			
Diode Voltage			
Diode Current			
Diode			

End Plate	Type	Cat.No.	Qty.	Type	Cat.No.	Qty.
	NPP PIK 2,5-4 N	449 019	25	NPP PIK 4 N	449 019	25

Small Partition	Type	Cat.No.	Qty.			
	AD 1	467 919	100			

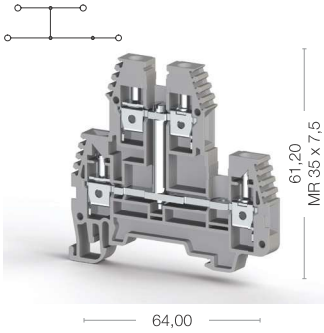
Cross Connection	Type	Cat.No.	Qty.	Type	Cat.No.	Qty.
	UK 4/2	474 132	25	UK 4/2	476 232	25
	UK 4/3	474 133	20	UK 4/3	476 233	20
	UK 4/4	474 134	15	UK 4/4	476 234	15
	UK 4/10	474 139	5	UK 4/10	476 239	5
	UK 4/20	474 180	5	UK 4/50	476 360	5
	UK 4/50	474 190	5			

Technical Data		
Rated Impulse Voltage / Pollution severity	6/3	6/3
Insulation material group / Gauge pin code according to IEC 60947-1	1/A4	1/A4
Protection class / Protection conductor type	IP 20 / -	IP 20 / -
Marking Tags (Dekafix)		
See pages 326-333 for a list of Dekafix	D-NS 6x10, DB 10/6, DG 10/6, DG 10/6T	D-NS 6x10, DB 10/6, DG 10/6, DG 10/6T

Package Quantity		
	100 pcs.	100 pcs.

PIK 4 NK

Width: 6 mm



Cat No:

319 129 319 121
319 120

Voltage, V ~	Current, A	Cross-Section
500	32	4 mm ²
300	30	AWG 26-10
400	26	05-4 mm ²

0,2-6 mm ²	0,2-6 mm ²
0,2-6 mm ²	0,2-6 mm ²
0,5-2,5 mm ²	0,5-2,5 mm ²
AWG 24-10	AWG 24-10
9-10 mm	9-10 mm
0,5-0,8 Nm	0,5-0,8 Nm
IKT 3 (0,6x3,5)	IKT 3 (0,6x3,5)

Type	Cat.No.	Qty.
PIK 4 NK A	319 129	20
PIK 4 NK B	319 121	20

1000 V
1 A
1 N 4007

Type	Cat.No.	Qty.
NPP PIK 2,5-4 N	449 019	25

Type	Cat.No.	Qty.
AD 1	467 919	100

Type	Cat.No.	Qty.
UK 4/2	474 132	25
UK 4/3	474 133	25
UK 4/4	474 134	15
UK 4/10	474 139	5
UK 4/20	474 180	5
UK 4/50	474 190	5

Note: Only lower decks can be cross-connected

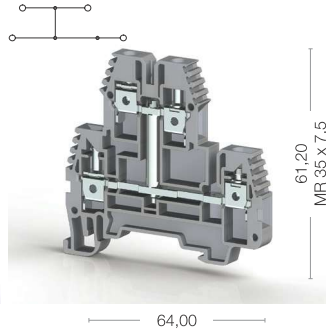
6/3
1/A4
IP 20 / -
D-NS 6x10, DB 10/6, DG 10/6, DG 10/6T

20 pcs.



PIK 4 RDK

Width: 6 mm



Cat No:

325 359
325 350

Voltage, V ~	Current, A	Cross-Section
500	32	4 mm ²

0,2-6 mm ²	0,2-6 mm ²
0,2-6 mm ²	0,2-6 mm ²
0,5-2,5 mm ²	0,5-2,5 mm ²
AWG 24-10	AWG 24-10
9-10 mm	9-10 mm
0,5-0,8 Nm	0,5-0,8 Nm
IKT 3 (0,6x3,5)	IKT 3 (0,6x3,5)

Type	Cat.No.	Qty.
PIK 4 RDK A	325 359	20
PIK 4 RDK B	325 350	20

1000 V
1 A
1 N 4007

Type	Cat.No.	Qty.
NPP PIK 2,5-4 N	449 019	25

Type	Cat.No.	Qty.
AD 1	467 919	100

Type	Cat.No.	Qty.
UK 4/2	476 232	25
UK 4/3	476 233	20
UK 4/4	476 234	15
UK 4/10	476 239	5
UK 4/50	476 360	5

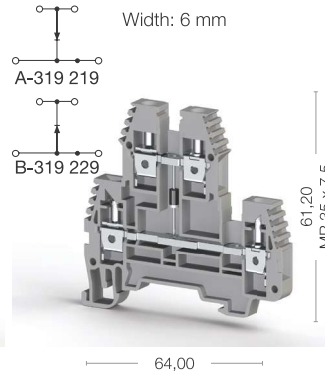
Note: Only lower decks can be cross-connected

6/3
1/A4
IP 20 / -
D-NS 6x10, DB 10/6, DG 10/6, DG 10/6T

100 pcs.

PIK 4 ND

Width: 6 mm



Cat No:

319 219
319 210

Voltage, V ~	Current, A	Cross-Section
500	1	4 mm ²
300	30	AWG 26-10

0,2-6 mm ²	0,2-6 mm ²
0,2-6 mm ²	0,2-6 mm ²
0,5-2,5 mm ²	0,5-2,5 mm ²
AWG 24-10	AWG 24-10
9-10 mm	9-10 mm
0,5-0,8 Nm	0,5-0,8 Nm
IKT 3 (0,6x3,5)	IKT 3 (0,6x3,5)

Type	Cat.No.	Qty.
PIK 4 ND A	319 219	20
PIK 4 ND B	319 229	20

1000 V
1 A
1 N 4007

Type	Cat.No.	Qty.
NPP PIK 2,5-4 N	449 019	25

Type	Cat.No.	Qty.
AD 1	467 919	100

Type	Cat.No.	Qty.
UK 4/2	474 132	25
UK 4/3	474 133	20
UK 4/4	474 134	15
UK 4/10	474 139	5
UK 4/20	474 180	5
UK 4/50	474 190	5

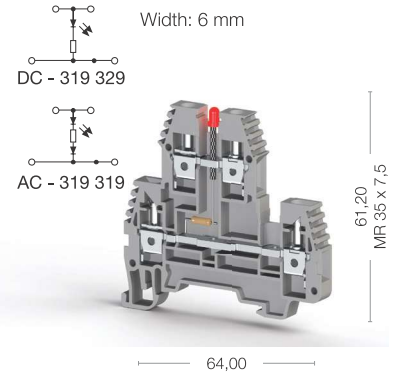
Note: Only lower decks can be cross-connected

6/3
1/A4
IP 20 / -
D-NS 6x10, DB 10/6, DG 10/6, DG 10/6T

20 pcs.

PIK 4 NLD

Width: 6 mm



Cat No:

319 319
319 310

Voltage, V ~	Current, A	Cross-Section
	24	4 mm ²
	30	AWG 26-10

0,2-6 mm ²	0,2-6 mm ²
0,2-6 mm ²	0,2-6 mm ²
0,5-2,5 mm ²	0,5-2,5 mm ²
AWG 24-10	AWG 24-10
9-10 mm	9-10 mm
0,5-0,8 Nm	0,5-0,8 Nm
IKT 3 (0,6x3,5)	IKT 3 (0,6x3,5)

Type	Cat.No.	Qty.
PIK 4 NLD (24AC)	319 319	20
PIK 4 NLD (24DC)	319 329	20
PIK 4 NLD (48AC)	319 419	20
PIK 4 NLD (48DC)	319 429	20
PIK 4 NLD (110AC)	319 619	20
PIK 4 NLD (110DC)	319 629	20
PIK 4 NLD (220AC)	319 719	20
PIK 4 NLD (220DC)	319 729	20

1000 V
1 A
1 N 4007

Type	Cat.No.	Qty.
NPP PIK 2,5-4 N	449 019	25

Type	Cat.No.	Qty.
AD 1	467 919	100

Type	Cat.No.	Qty.
UK 4/2	474 132	25
UK 4/3	474 133	20
UK 4/4	474 134	15
UK 4/10	474 139	5
UK 4/20	474 180	5
UK 4/50	474 190	5

Note: Only lower decks can be cross-connected

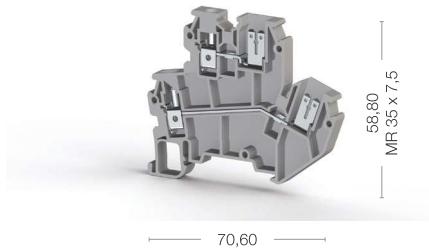
6/3
1/A4
IP 20 / -
D-NS 6x10, DB 10/6, DG 10/6, DG 10/6T

20 pcs.

Screw Type Double - Deck Terminals

PIK 4 FS

Width: 6 mm



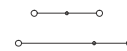
70,60

Cat No:

319 809
319 800

PIK 10 N

Width: 10 mm



78,65

Cat No:

319 909
319 900



Electrical Ratings
CE (EN 60947-7-1)
UL
VDE (IEC 60947-7-1)
CSA
ATEX

Voltage, V ~	Current, A	Cross-Section
400	20	4 mm ²
400	17	0,5-4 mm ²

Voltage, V ~	Current, A	Cross-Section
800	57	10 mm ²
500	50	1,5-16 mm ²

Connection Data
Conductor cross section solid (min.-max.)
Conductor cross section stranded (min.-max.)
2 conductors with same cross section, stranded, TWIN ferrules with plastic sleeve, (min.-max.)
AWG Conductor
Insulation Stripping Length (min.-max.)
Torque (min.-max.)
Screwdriver

0,2-4 mm ²
0,2-4 mm ²
0,5-1,5 mm ²
AWG 24-10
9-10 mm
0,5-0,8 Nm
IKT 3 (0,6x3,5)

1,5-16 mm ²
1,5-16 mm ²
6 mm ²
AWG 16-6
10-12 mm
1,2-1,8 Nm
IKT 4 (0,8x4,0)

End Plate - Disconnect Plate

Type	Cat.No.	Qty.
NPP/PIK 4 FS	449 029	20

Type	Cat.No.	Qty.
NPP/PIK 10 N	449 039	25

Cross Connection

Type	Cat.No.	Qty.
UK 4/2	476 232	25
UK 4/3	476 233	20
UK 4/4	476 234	15
UK 4/10	476 239	5

Type	Cat.No.	Qty.
UK 10/2	474 152	25
UK 10/3	474 153	20
UK 10/4	474 154	15
UK 10/10	474 159	5

Technical Data
Rated Impulse Voltage / Pollution severity
Insulation material group / Gauge pin code according to IEC 60947-1
Protection class / Protection conductor type
Marking Tags (Dekafix)
See pages 326-333 for a list of Dekafix

4/3
1/A4
IP 20 / -
DB 5

8/3
1/B6
IP 20 / -
DB 5

Package Quantity
85 pcs.

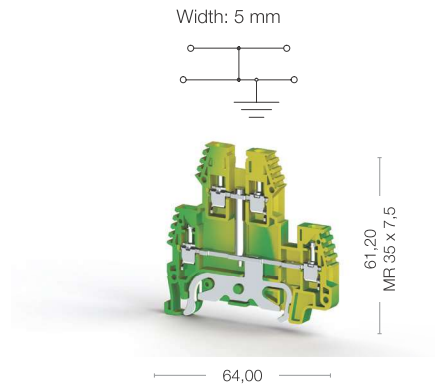
85 pcs.

Package Quantity
20 pcs.

20 pcs.

Double Deck Earth Terminals

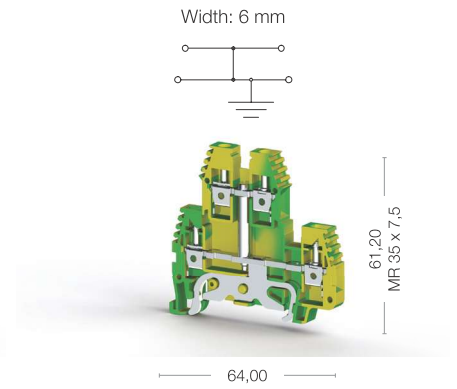
PIK 2,5 NT



Cat No:

336 560

PIK 4 NT



Cat No:

336 570



Electrical Ratings
CE (EN 60947-7-2)
UL
VDE (IEC 60947-7-1)
CSA
ATEX

Voltage, V ~	Current, A	Cross-Section
		2,5 mm ²
		0,5-4 mm ²

Voltage, V ~	Current, A	Cross-Section
		4 mm ²
		0,5-6 mm ²

Connection Data
Conductor cross section solid (min.-max.)
Conductor cross section stranded (min.-max.)
2 conductors with same cross section, stranded, TWIN ferrules with plastic sleeve, (min.-max.)
AWG Conductor
Insulation Stripping Length (min.-max.)
Torque
Screwdriver

	0,2-4 mm ²
	0,2-4 mm ²
	0,5-1,5 mm ²
	AWG 24-12
	9-10 mm
	0,4-0,6 Nm
	IKT 3 (0,6x3,5)

	0,2-6 mm ²
	0,2-6 mm ²
	0,5-2,5 mm ²
	AWG 24-10
	9-10 mm
	0,5-08 Nm
	IKT 3 (0,6x3,5)

End Plate - Disconnect Plate

Type	Cat.No.	Qty.
NPP/PIK 2,5 - 4 NT	449 012T	25

Type	Cat.No.	Qty.
NPP/PIK 2,5 - 4 NT	449 012T	25

Technical Data
Rated Impulse Voltage / Pollution severity
Insulation material group / Gauge pin code according to IEC 60947-1
Protection class / Protection conductor type
Marking Tags (Dekafix)
See pages 326-333 for a list of Dekafix

8/3
1/A3
IP 20 / PE
D-NS 5x10, DB 10/5, DG 10/5, DG 10/5T

8/3
1/A4
IP 20 / PE
D-NS 6x10, DB 10/6, DG 10/6, DG 10/6T

Package Quantity

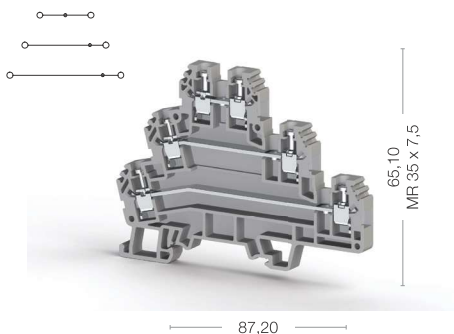
100 pcs.

100 pcs.

Screw Type Multilevel Terminals

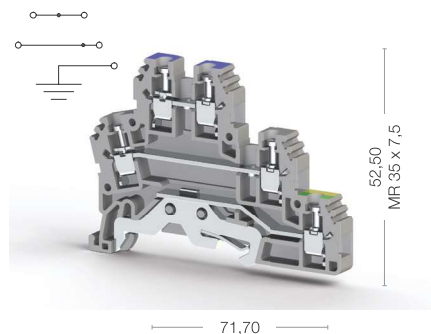
PUK 3

Width: 6 mm



PUK 2 T

Width: 6 mm



Cat No:

324 109
324 100

Cat No:

324 209
324 200



Electrical Ratings
CE (EN 60947-7-1 - EN 60947-7-2)
UL
VDE (IEC 60947-7-1)
CSA
ATEX

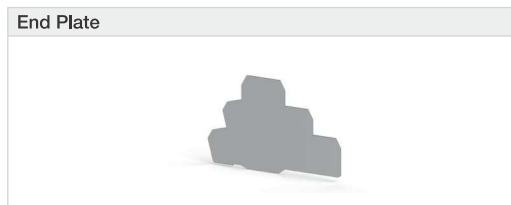
Voltage, V ~	Current, A	Cross-Section
440	24	2,5 mm ²
300	24	AWG 24-12
400	21	0,5-2,5 mm ²

Voltage, V ~	Current, A	Cross-Section
440	24	2,5 mm ²
300	24	AWG 24-12
400	21	0,5-2,5 mm ²

Connection Data
Conductor cross section solid (min.-max.)
Conductor cross section stranded (min.-max.)
2 conductors with same cross section, stranded, TWIN ferrules with plastic sleeve, (min.-max.)
AWG Conductor
Insulation Stripping Length (min.-max.)
Torque (min.-max.)
Screwdriver

0,2-4 mm ²
0,2-4 mm ²
0,5-1,5 mm ²
AWG 24-12
7-8 mm
0,4-0,6 Nm
IKT 3 (0,6x3,5)

0,2-4 mm ²
0,2-4 mm ²
0,5-1,5 mm ²
AWG 24-12
7-8 mm
0,4-0,6 Nm
IKT 3 (0,6x3,5)



Type	Cat.No.	Qty.
NPP/PUK 3	450 139	10

Type	Cat.No.	Qty.
NPP/PUK 2 T	450 149	10



Type	Cat.No.	Qty.
UK 2,5/2	480 132	25
UK 2,5/3	480 133	20
UK 2,5/4	480 134	15
UK 2,5/10	480 139	5
UK 2,5/35	480 140	5

Type	Cat.No.	Qty.
UK 2,5/2	480 132	25
UK 2,5/3	480 133	20
UK 2,5/4	480 134	15
UK 2,5/10	480 139	5
UK 2,5/35	480 140	5

Technical Data
Rated Impulse Voltage / Pollution severity
Insulation material group / Gauge pin code according to IEC 60947-1
Protection class / Protection conductor type
Marking Tags (Dekafix)
See pages 326-333 for a list of Dekafix

6/3
1/A3
IP 20 / -
DB 5

6/3
1/A3
IP 20 / PE
DB 5

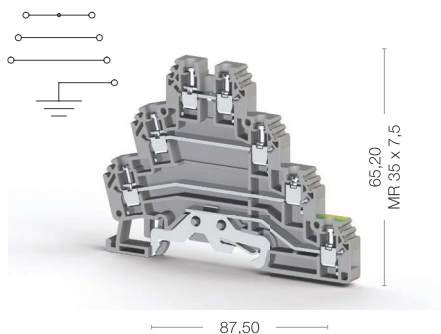
Package Quantity
20 pcs.

20 pcs.

20 pcs.

PUK 3 T

Width: 6 mm



Cat No:

- 324 309
- 324 300

Voltage, V ~	Current, A	Cross-Section
440	24	2,5 mm ²
300	24	AWG 24-12
400	21	0,5-2,5 mm ²

0,2-4 mm ²
0,2-4 mm ²
0,5-1,5 mm ²
AWG 24-12
7-8 mm
0,4-0,6 Nm
IKT 3 (0,6x3,5)

Type	Cat.No.	Qty.
NPP/PUK 3 T	450 159	10

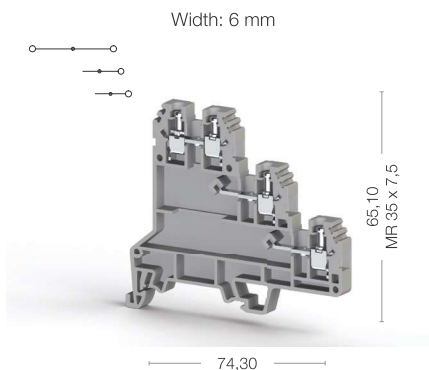
Type	Cat.No.	Qty.
UK 2,5/2	480 132	25
UK 2,5/3	480 133	20
UK 2,5/4	480 134	15
UK 2,5/10	480 139	5
UK 2,5/35	480 140	5

Note: Only upper decks can be cross-connected

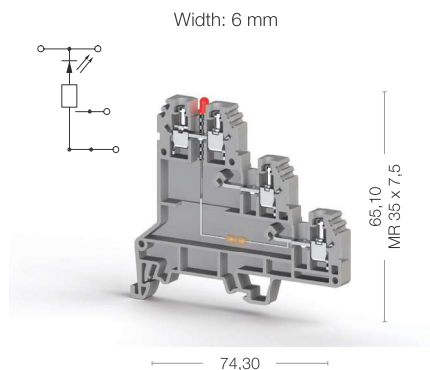
6/3
1/A3
IP 20 / PE
DB 5
20 pcs.

Screw Type Sensor Terminals

PUK 3 S



PUK 3 SLD (NPN)



Cat No:

- 324 409
- 324 400

Cat No:

- 324 419
- 324 410



Electrical Ratings
CE (EN 60947-7-1)
UL
VDE (IEC 60947-7-1)
CSA
ATEX

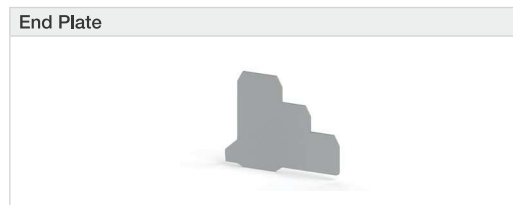
Voltage, V ~	Current, A	Cross-Section
500	24	2,5 mm ²
300	24	AWG 24-12

Voltage, V ~	Current, A	Cross-Section
24	24	2,5 mm ²
300	24	AWG 24-12

Connection Data
Conductor cross section solid (min.-max.)
Conductor cross section stranded (min.-max.)
2 conductors with same cross section, stranded, TWIN ferrules with plastic sleeve, (min.-max.)
AWG Conductor
Insulation Stripping Length (min.-max.)
Torque (min.-max.)
Screwdriver

0,2-4 mm ²
0,2-4 mm ²
0,5-1,5 mm ²
AWG 24-12
7-8 mm
0,4-0,6 Nm
IKT 3 (0,6x3,5)

0,2-4 mm ²
0,2-4 mm ²
0,5-1,5 mm ²
AWG 24-12
7-8 mm
0,4-0,6 Nm
IKT 3 (0,6x3,5)



Type	Cat.No.	Qty.
NPP/PUK 3 S	450 169	10

Type	Cat.No.	Qty.
NPP/PUK 3 S	450 169	10



Type	Cat.No.	Qty.
UK 2,5/2	480 132	25
UK 2,5/3	480 133	20
UK 2,5/4	480 134	15
UK 2,5/10	480 139	5
UK 2,5/35	480 140	5

Type	Cat.No.	Qty.
UK 2,5/2	480 132	25
UK 2,5/3	480 133	20
UK 2,5/4	480 134	15
UK 2,5/10	480 139	5
UK 2,5/35	480 140	5

Technical Data
Rated Impulse Voltage / Pollution severity
Insulation material group / Gauge pin code according to IEC 60947-1
Protection class / Protection conductor type
Marking Tags (Dekafix)
See pages 326-333 for a list of Dekafix

6/3
1/A3
IP 20 / -
DB 5

6/3
1/A3
IP 20 / -
DB 5

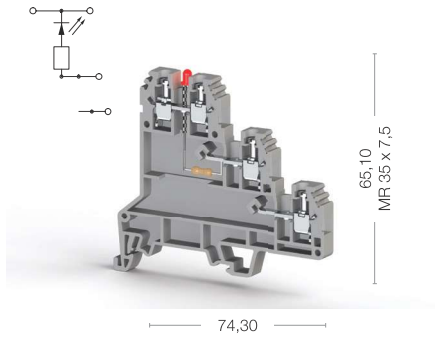
Package Quantity
20 pcs.

20 pcs.

20 pcs.

PUK 3 SLD (PNP)

Width: 6 mm



Cat No:

- 324 429
- 324 420

Voltage, V ~	Current, A	Cross-Section
24	24	2,5 mm ²
300	24	AWG 24-12

0,2-4 mm ²
0,2-4 mm ²
0,5-1,5 mm ²
AWG 24-12
7-8 mm
0,4-0,6 Nm
IKT 3 (0,6x3,5)

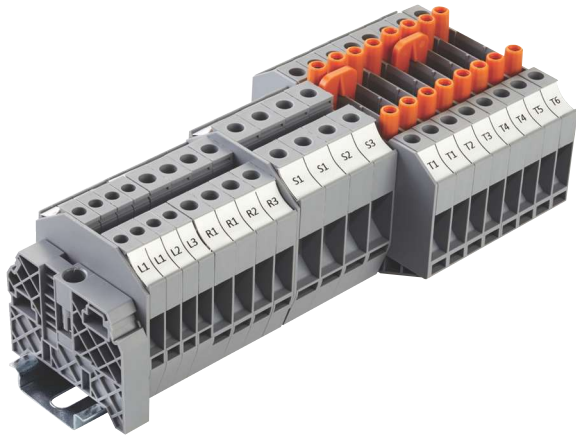
Type	Cat.No.	Qty.
NPP/PUK 3 S	450 169	10

Type	Cat.No.	Qty.
UK 2,5/2	480 132	25
UK 2,5/3	480 133	20
UK 2,5/4	480 134	15
UK 2,5/10	480 139	5
UK 2,5/35	480 140	5

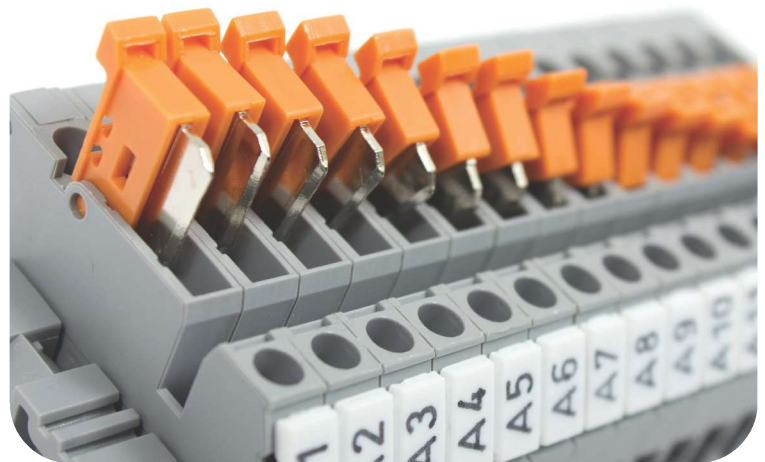
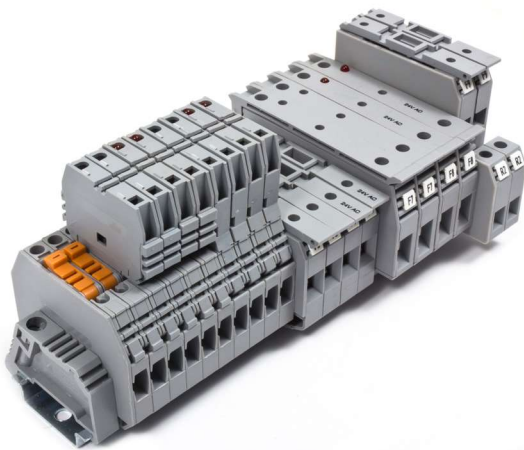
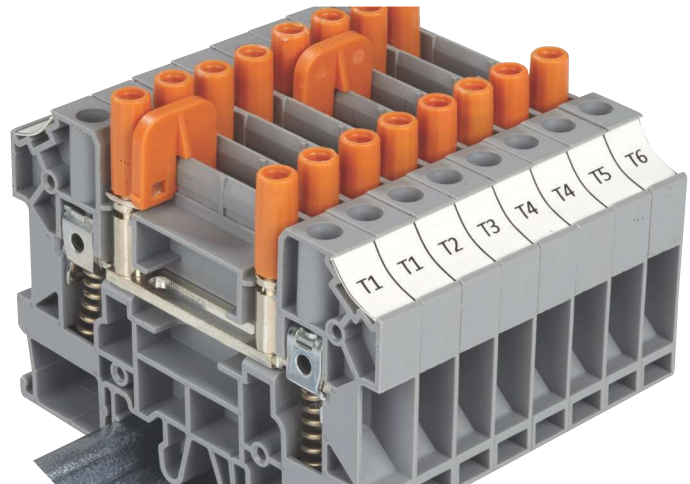
6/3
1/A3
IP 20 / PE
DB 5

20 pcs.

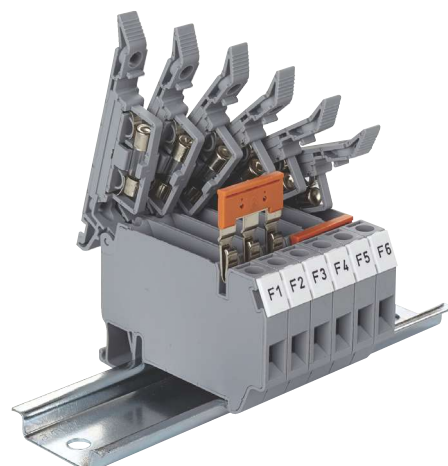
Screw Connection Disconnect / Test and Disconnect / Fuse Terminals



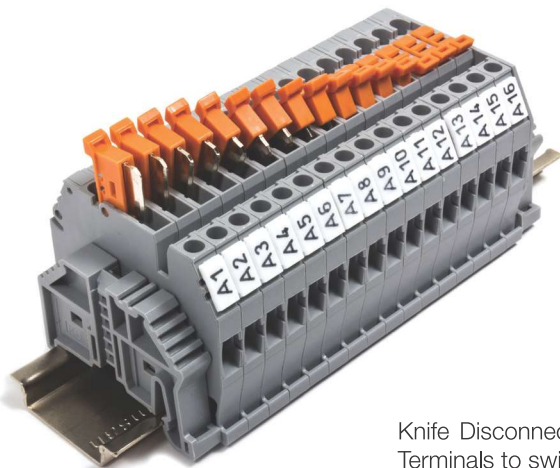
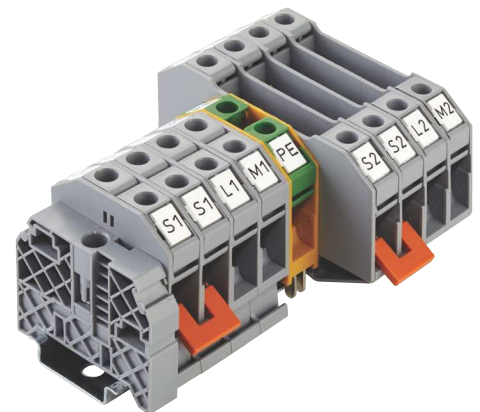
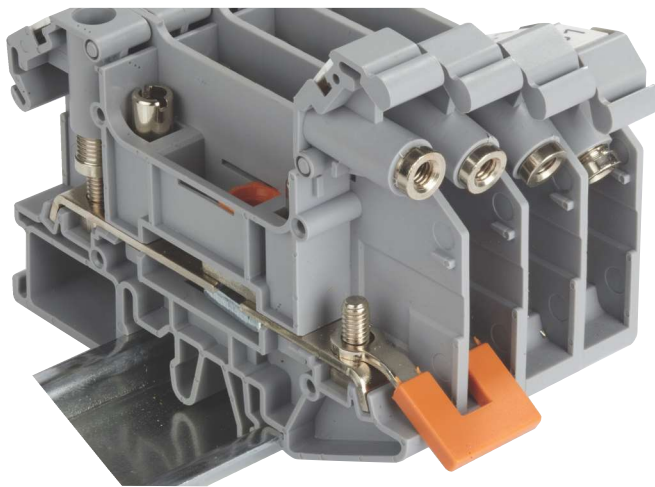
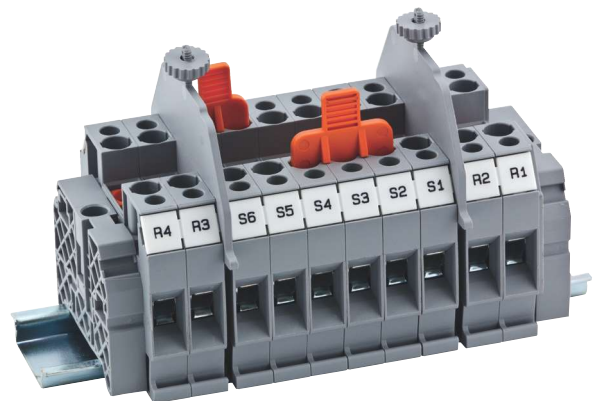
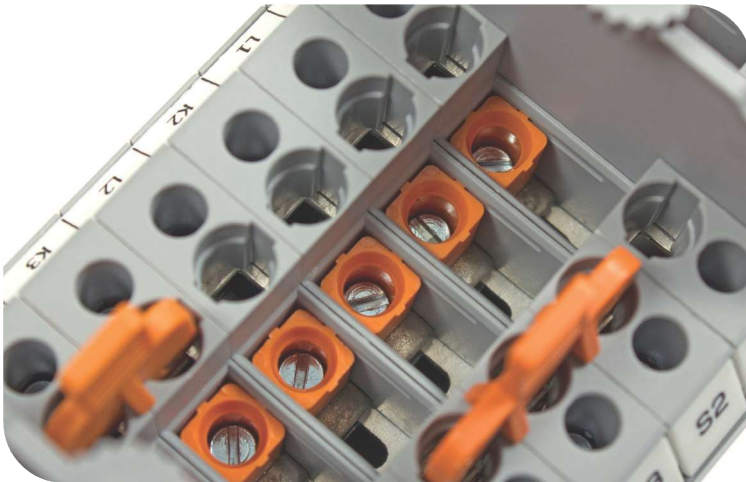
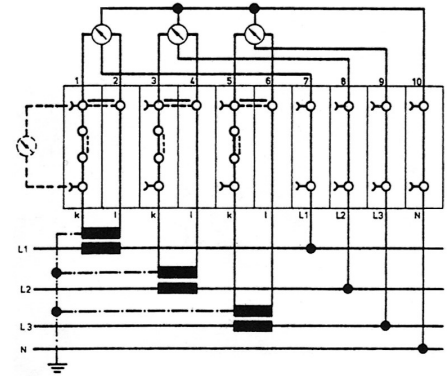
WGO Y Series Test and Disconnect Terminals provide safe connection with spring force under the contact of the terminal block. Practical accessories like sliding cross connection system, isolated Test Sockets, Test Plugs and Comb Connectors are available. Special Marking solutions for each cross section can be provided by Plotter labeling.



Screw Connection Fuse Rail Terminals Terminals can be used with glass fuse between 1A...10A. The fuse inside of the terminal is easily mounted and dismantled, and is an ideal solution when there is a necessity to change it even when the power is on in the system. Marking solutions can be provided by Plotter Labeling.



WGO Series Test and Disconnect Terminals are used to perform required tests without switching off the power in the system. These products are installed at the secondary side of current transformers, and thus, electrical ratings can be observed by testing equipment connected to the product. Practical accessories like sliding cross connection system, isolated Test Sockets, Test Plugs and Comb Connectors are available. Special Marking solutions for each cross section can be provided by Plotter labeling.



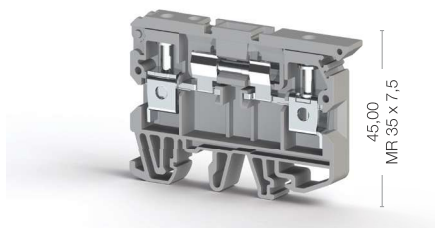
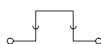
WGO PB series Ring and Fork Type Plug inTerminals provide practical safe connection. For WGO PB series, cable assembly is done with insulated ring type terminals and the terminal blocks have two test sockets. Practical accessories like sliding cross connection system, isolated Test Sockets, Test Plugs and Comb Connectors are available. Special Marking solutions for each cross section can be provided by Plotter labeling.

Knife Disconnect System, enables Screw Connection Disconnect Terminals to switch energy in the system. Marking solutions can be provided by Plotter Labeling.

Disconnect Terminals

ASK 2 B

Width: 8 mm

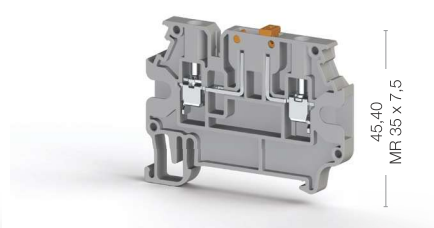


45,00
MR 35 x 7,5

64,20

AVK 2,5 A

Width: 5 mm



45,40
MR 35 x 7,5

58,00

Cat No:

- 360 119
- 360 110

Cat No:

- 304 419
- 304 410



Electrical Ratings
CE (EN 60947-7-1)
UL
VDE (IEC 60947-7-1)
CSA
ATEX

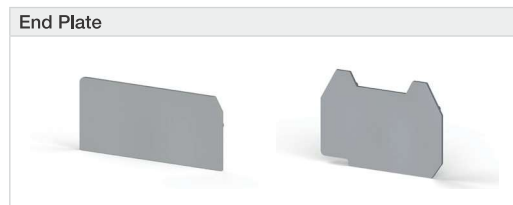
Voltage, V ~	Current, A	Cross-Section
500	6,3	6 mm ²
300	6,3	AWG 26-8

Voltage, V ~	Current, A	Cross-Section
500	16	2,5 mm ²

Connection Data
Conductor cross section solid (min.-max.)
Conductor cross section stranded (min.-max.)
2 conductors with same cross section, stranded, TWIN ferrules with plastic sleeve, (min.-max.)
AWG Conductor
Insulation Stripping Length (min.-max.)
Torque (min.-max.)
Screwdriver

0,2-10 mm ²
0,2-10 mm ²
0,5-4 mm ²
AWG 24-8
10-12 mm
0,8-1,2 Nm
IKT 3 (0,6x3,5)

0,2-4 mm ²
0,2-4 mm ²
0,5-1,5 mm ²
AWG 24-12
9-10 mm
0,4-0,6 Nm
IKT 3 (0,6x3,5)



Type	Cat.No.	Qty.
NPP/ASK 2	450 049	25

Type	Cat.No.	Qty.
NPP/AVK 2,5 A	450 330	25



Type	Cat.No.	Qty.

Type	Cat.No.	Qty.
UK 2,5/2	476 222	25
UK 2,5/3	476 223	20
UK 2,5/4	476 224	15
UK 2,5/10	476 229	5
UK 2,5/16	474 260	10
UK 2,5/20	474 200	10

Technical Data
Rated Impulse Voltage / Pollution severity
Insulation material group / Gauge pin code according to IEC 60947-1
Protection class / Protection conductor type
Marking Tags (Dekafix)
See pages 326-333 for a list of Dekafix

6/3
1/B5
IP 20 / -
DB 5

6/3
1/A3
IP 20 / -
D-NS 5x10, DB 10/5, DG 10/5, DG 10/5T SLF-P1 W

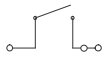
Package Quantity

25 pcs.

50 pcs.

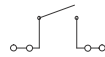
AVK 2,5 EA

Width: 6 mm



AVK 2,5 CCA

Width: 6 mm



Cat No:

- 324 949
- 324 940

Voltage, V ~	Current, A	Cross-Section
400	16	2,5 mm ²

0,2-4 mm ²
0,2-4 mm ²
0,5-1,5 mm ²
AWG 24-12
9-10 mm
0,4-0,6 Nm
IKT 3 (0,6x3,5)

Type	Cat.No.	Qty.
NPP/AVK 2,5 CC	444 139	25

6/3
1/A3
IP 20 / -
D-NS 5x10, DB 10/5, DG 10/5, DG 10/5T

80 pcs.

Cat No:

- 324 939
- 324 930

Voltage, V ~	Current, A	Cross-Section
400	16	2,5 mm ²

0,2-4 mm ²
0,2-4 mm ²
0,5-1,5 mm ²
AWG 24-12
9-10 mm
0,4-0,6 Nm
IKT 3 (0,6x3,5)

Type	Cat.No.	Qty.
NPP/AVK 2,5 CC	444 139	25

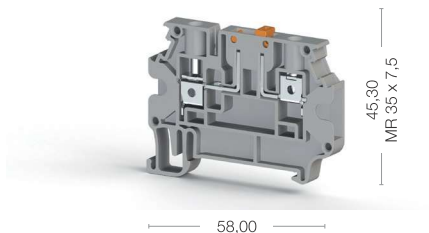
6/3
1/A3
IP 20 / -
D-NS 5x10, DB 10/5, DG 10/5, DG 10/5T

80 pcs.

Disconnect Terminals

AVK 4 A

Width: 6 mm

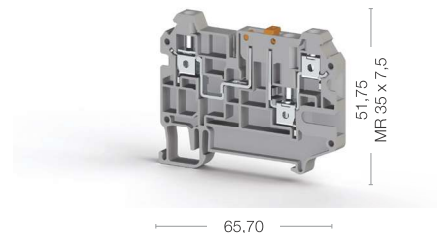


Cat No:

- 304 380
- 304 389

AVK 4 CEA

Width: 6 mm



Cat No:

- 325 239
- 325 230



Electrical Ratings
CE (EN 60947-7-1)
UL
VDE (IEC 60947-7-1)
CSA
ATEX

Voltage, V ~	Current, A	Cross-Section
500	20	4 mm ²
300	16	AWG 26-10

Voltage, V ~	Current, A	Cross-Section
500	20	4 mm ²

Connection Data
Conductor cross section solid (min.-max.)
Conductor cross section stranded (min.-max.)
2 conductors with same cross section, stranded, TWIN ferrules with plastic sleeve, (min.-max.)
AWG Conductor
Insulation Stripping Length (min.-max.)
Torque (min.-max.)
Screwdriver

0,2-6 mm ²
0,2-6 mm ²
0,5-2,5 mm ²
AWG 24-10
9-10 mm
0,5-0,8 Nm
IKT 3 (0,6x3,5)

0,2-6 mm ²
0,2-6 mm ²
0,5-2,5 mm ²
AWG 24-10
9-10 mm
0,5-0,8 Nm
IKT 3 (0,6x3,5)

End Plate

Type	Cat.No.	Qty.
NPP/AVK 4 R-A	450 330	25

Type	Cat.No.	Qty.
NPP/AVK 4CEA	450 349	25

Technical Data For Diode
Diode Voltage
Diode Current
Diode

Push-in Cross Connection

Type	Cat.No.	Qty.
UK 4/2	476 232	25
UK 4/3	476 233	20
UK 4/4	476 234	15
UK 4/10	476 239	5

Type	Cat.No.	Qty.
UK 4/2	476 232	25
UK 4/3	476 233	20
UK 4/4	476 234	15
UK 4/10	476 239	5

Technical Data
Rated Impulse Voltage / Pollution severity
Insulation material group / Gauge pin code according to IEC 60947-1
Protection class / Protection conductor type
Marking Tags (Dekafix)
See pages 326-333 for a list of Dekafix

6/3
1/A4
IP 20 / -
DB 10/6, DG 10/6T, D-NS 6x10, SLF-P1W

6/3
1/A4
IP 20 / -
D-NS 6x10, DB 10/6, DG 10/6, DG 10,6T

Package Quantity

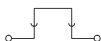
50 pcs.

50 pcs.

Disconnect Terminals

ASK 4 B

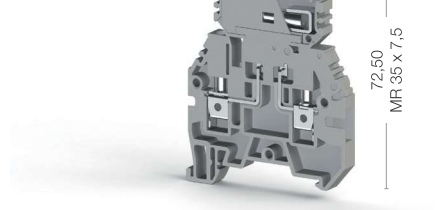
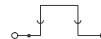
Width: 10 mm



75,20

ASK 3 FB

Width: 6,2 mm



54,10

Cat No:

- 360 129
- 360 120

Cat No:

- 362 009
- 362 000



Electrical Ratings
CE (EN 60947-7-1)
UL
VDE (IEC 60947-7-1)
CSA
ATEX

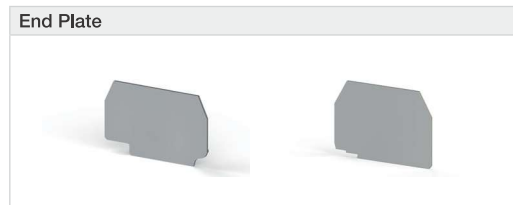
Voltage, V ~	Current, A	Cross-Section
750	6,3	6 mm ²
600	6,3	AWG 22-8

Voltage, V ~	Current, A	Cross-Section
500	16	4 mm ²

Connection Data
Conductor cross section solid (min.-max.)
Conductor cross section stranded (min.-max.)
2 conductors with same cross section, stranded, TWIN ferrules with plastic sleeve, (min.-max.)
AWG Conductor
Insulation Stripping Length (min.-max.)
Torque (min.-max.)
Screwdriver

0,34-10 mm ²
0,34-10 mm ²
0,5-4 mm ²
AWG 22-8
9-10 mm
0,5-0,8 Nm
IKT 3 (0,6x3,5)

0,2-6 mm ²
0,2-6 mm ²
0,5-2,5 mm ²
AWG 24-10
9-10 mm
0,5-0,8 Nm
IKT 3 (0,6x3,5)



Type	Cat.No.	Qty.
NPP/ASK 3	450 059	10

Type	Cat.No.	Qty.
NPP/ASK 3	450 059	10



UK 4/2	476 232	25
UK 4/3	476 233	20
UK 4/4	476 234	15

Technical Data
Rated Impulse Voltage / Pollution severity
Insulation material group / Gauge pin code according to IEC 60947-1
Protection class / Protection conductor type
Marking Tags (Dekafix)
See pages 326-333 for a list of Dekafix

6/3
1/B5
IP 20 / -
D-NS 8x10, DG 10/8

6/3
1/A4
IP 20 / -
DB 5, DB 10/6, D-NS 6x10, DG 10x6T

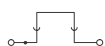
Package Quantity
20 pcs.

20 pcs.

20 pcs.

ASK 3 MB

Width: 6,2 mm

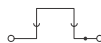


54,10

72,50
MR 35 x 7,5

ASK 5 B

Width: 8 mm



69,60

51,00
MR 35 x 7,5

Cat No:

- 363 009
- 363 000

Voltage, V ~	Current, A	Cross-Section
500	16	4 mm ²

0,2-6 mm ²
0,2-6 mm ²
0,5-2,5 mm ²
AWG 24-10
9-10 mm
0,5-0,8 Nm
IKT 3 (0,6x3,5)

Type	Cat.No.	Qty.
NPP/ASK 3	450 059	10

Type	Cat.No.	Qty.
UK 4/2	476 232	25
UK 4/3	476 233	20
UK 4/4	476 234	15

6/3
1/A4
IP 20 / -
DB 5, DB 10/6, D-NS 6x10, DG 10x6T

20 pcs.

Cat No:

- 353 419
- 353 410

Voltage, V ~	Current, A	Cross-Section
500	10	4 mm ²

0,2-6 mm ²
0,2-6 mm ²
0,5-2,5 mm ²
AWG 24-10
8-9 mm
0,5-0,8 Nm
IKT 3 (0,6x3,5)

Type	Cat.No.	Qty.

Type	Cat.No.	Qty.
UK 6/2	476 242	25
UK 6/3	476 243	20
UK 6/4	476 244	15
UK 6/10	476 249	5

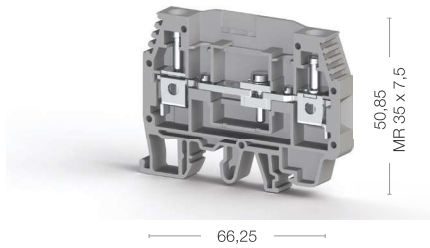
6/3
1/A4
IP 20 / -
D-NS 8x10, DG 10/8

50 pcs.

WGO Series Test / Disconnect Terminals

WGO 1

Width: 8 mm

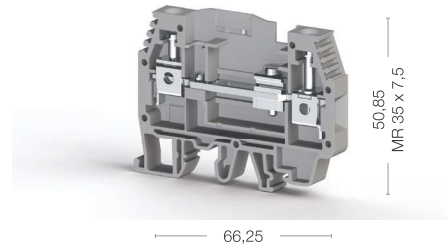


Cat No:

370 590
370 500

WGL 1

Width: 8 mm



Cat No:

375 790
375 700



Electrical Ratings
CE (EN 60947-7-1)
UL
VDE (IEC 60947-7-1)
CSA
ATEX

Voltage, V ~	Current, A	Cross-Section
400	41	6 mm ²
300	50	AWG 20-8
250	36	1,5-6 mm ²

Voltage, V ~	Current, A	Cross-Section
400	41	6 mm ²
300	50	AWG 20-8
400	36	0,5-10 mm ²

Connection Data
Conductor cross section solid (min.-max.)
Conductor cross section stranded (min.-max.)
2 conductors with same cross section, stranded, TWIN ferrules with plastic sleeve, (min.-max.)
AWG Conductor
Insulation Stripping Length (min.-max.)
Torque (min.-max.)
Screwdriver

0,2-10 mm ²
0,2-10 mm ²
0,5-4 mm ²
AWG 24-8
10-12 mm
0,8-1,2 Nm
IKT 4 (0,8x4,0)

0,2-10 mm ²
0,2-10 mm ²
0,5-4 mm ²
AWG 24-8
10-12 mm
0,8-1,2 Nm
IKT 4 (0,8x4,0)

Ordering Data
Without Socket - Beige / Grey
One Socket - Beige / Grey
Double Socket - Beige / Grey
One Test Socket - Beige / Grey
Double Test Socket - Beige / Grey

Type	Cat.No.	Qty.
WGO 1	370 500 - 590	60
WGO 1	370 501 - 591	60
WGO 1	370 503 - 593	60
WGO 1	370 502 - 592	60

Type	Cat.No.	Qty.
WGL 1	375 700 - 790	60
WGL 1	375 701 - 791	60
WGL 1	375 702 - 792	60

End Plate

Type	Cat.No.	Qty.
NPP/WGO 1	450 109	25

Type	Cat.No.	Qty.
NPP/WGO 1	450 109	25

Cross Connection

Type	Cat.No.	Qty.
IZUK 6/2	476 302	10
IZUK 6/3	476 303	10
IZUK 6/4	476 304	10
IZUK 6/6	476 306	10
IZUK 6/10	476 309	5
WGO UAA	498 300	1

Type	Cat.No.	Qty.
IZUK 6/2	476 302	10
IZUK 6/3	476 303	10
IZUK 6/4	476 304	10
IZUK 6/6	476 306	10
IZUK 6/10	476 309	5
WGO UAA	498 300	1

Test Plug
suitable for test socket types

Type	Cat.No.	Qty.
TF (Ø4)	493 050	10

Type	Cat.No.	Qty.
TF (Ø4)	493 050	10

Comb Connector

Type	Cat.No.	Qty.
TKO 6/2	476 282	25
TKO 6/3	476 283	20
TKO 6/4	476 284	15
TKO 6/10	476 289	5

Type	Cat.No.	Qty.
TKO 6/2	476 282	25
TKO 6/3	476 283	20
TKO 6/4	476 284	15
TKO 6/10	476 289	5

Technical Data
Rated Impulse Voltage / Pollution severity
Insulation material group / Gauge pin code according to IEC 60947-1
Protection class / Protection conductor type

6/3
1/B5
IP 20 / -

6/3
1/B5
IP 20 / -

Marking Tags (Dekafix)
See pages 326-333 for a list of Dekafix

D-NS 8x10, DG 10/8

D-NS 8x10, DG 10/8

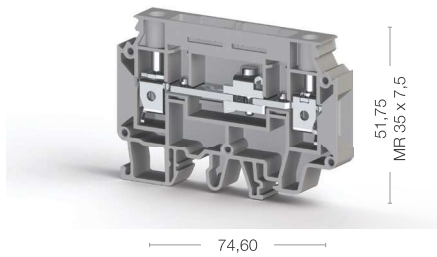
Package Quantity
60 pcs.

60 pcs.

60 pcs.

WGO 2 N

Width: 10 mm



Cat No:

- 375 890
- 375 800

Voltage, V ~	Current, A	Cross-Section
400	57	10 mm ²
400	50	1,5-16 mm ²
	0,5-16 mm ²	
	0,5-16 mm ²	
	0,5-6 mm ²	
	AWG 20-6	
	10-12 mm	
	1,2-1,8 Nm	
	IKT 4 (0,8x4,0)	

Type	Cat.No.	Qty.
WGO 2 N	375 800 - 890	50
WGO 2 N	375 801 - 891	50
WGO 2 N	375 804 - 894	50
WGO 2 N	375 803 - 893	50
WGO 2 N	375 802 - 892	50

Type	Cat.No.	Qty.
NPP/WGO 2 N	450 230	25

Type	Cat.No.	Qty.
IZUK 10/2	476 402	10
IZUK 10/3	476 403	10
IZUK 10/4	476 404	10
IZUK 10/6	476 406	10
IZUK 10/10	476 409	5

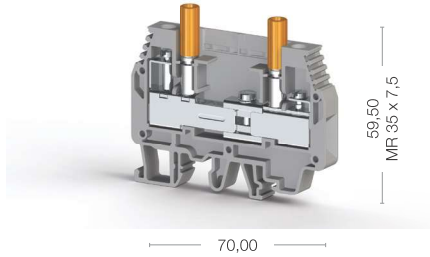
Type	Cat.No.	Qty.
TF (Ø4)	493 050	10

Type	Cat.No.	Qty.
TKO 10/2	476 292	25
TKO 10/3	476 293	20
TKO 10/4	476 294	15
TKO 10/10	476 299	5

4/3		
1/B6		
IP 20 / -		
D-NS 10x10, DG 10/10, SLF-P1 W		
50 pcs.		

WGO 3

Width: 8 mm



Cat No:

- 375 692
- 375 602

Voltage, V ~	Current, A	Cross-Section
400	41	6 mm ²
300	43	AWG 20-8
250	36	1,5-6 mm ²
	0,2-10 mm ²	
	0,2-10 mm ²	
	0,5-4 mm ²	
	AWG 24-8	
	10-12 mm	
	0,8-1,2 Nm	
	IKT 4 (0,8x4,0)	

Type	Cat.No.	Qty.
WGO 3	375 600 - 690	50
WGO 3	375 601 - 691	50
WGO 3	375 604 - 694	50
WGO 3	375 603 - 693	50
WGO 3	375 602 - 692	50

Type	Cat.No.	Qty.
NPP/WGO 3	450 229	25
NPP/WGO 3	450 220	25

Type	Cat.No.	Qty.
IZUK 6/2	476 302	10
IZUK 6/3	476 303	10
IZUK 6/4	476 304	10
IZUK 6/6	476 306	10
IZUK 6/10	476 309	5
WGO UAA	498 300	1

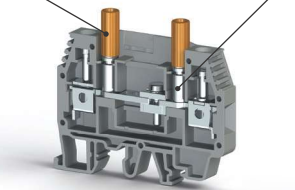
Type	Cat.No.	Qty.
TF (Ø4)	493 050	10

Type	Cat.No.	Qty.
TKO 6/2	476 282	25
TKO 6/3	476 283	20
TKO 6/4	476 284	15
TKO 6/10	476 289	5

6/3		
1/B5		
IP 20 / -		
D-NS 8x10, DG 10/8		
50 pcs.		

Socket Selections

Test Socket Socket



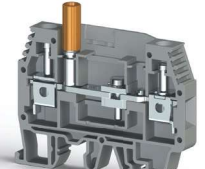
Without Socket



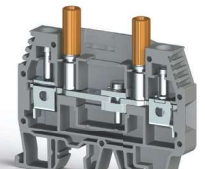
Single Socket



Double Socket



Single Test Socket



Double Test Socket

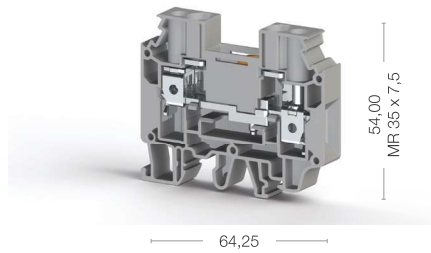
WGO Series

Test / Disconnect

Terminals

WGO 2 IR

Width: 10 mm

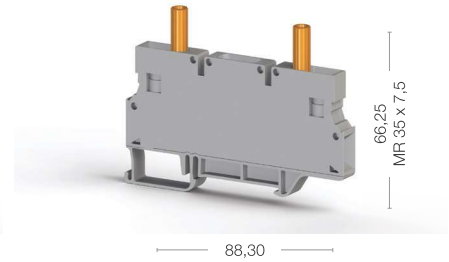
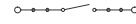


Cat No:

375 909
375 900

WGO 4

Width: 8 mm



Cat No:

376 090
376 000



Electrical Ratings
CE (EN 60947-7-1)
UL
VDE (IEC 60947-7-1)
CSA
ATEX

Voltage, V ~	Current, A	Cross-Section
500	57	10 mm ²
400	50	1,5-10 mm ²

Voltage, V ~	Current, A	Cross-Section
1000	41	6 mm ²
400	36	0,5-10 mm ²

Connection Data
Conductor cross section solid (min.-max.)
Conductor cross section stranded (min.-max.)
2 conductors with same cross section, stranded, TWIN ferrules with plastic sleeve, (min.-max.)
AWG Conductor
Insulation Stripping Length (min.-max.)
Torque (min.-max.)
Screwdriver

0,5-16 mm ²
0,5-16 mm ²
0,5-6 mm ²
AWG 20-6
10-12 mm
1,2-1,8 Nm
IKT 4 (0,8x4,0)

0,2-10 mm ²
0,2-10 mm ²
0,5-4 mm ²
AWG 24-8
10-12 mm
0,8-1,0 Nm
IKT 4 (0,8x4,0)

Ordering Data
Without Socket - Beige / Grey
One Socket - Beige / Grey
Double Socket - Beige / Grey
One Test Socket - Beige / Grey
Double Test Socket - Beige / Grey

Type	Cat.No.	Qty.
WGO 2 IR	375 900 - 909	50

Type	Cat.No.	Qty.
WGO 4 (GREY)	376 091	50
WGO 4 (Grey)	376 090	50

End Plate
Grey
Beige

Type	Cat.No.	Qty.
NPP/WGO 2 IR	450 249	25

Type	Cat.No.	Qty.
------	---------	------

Cross Connection

Type	Cat.No.	Qty.
IZUK 10W/2	476 502	10
IZUK 10W/3	476 503	10
IZUK 10W/4	476 504	10
IZUK 10W/6	476 506	10
IZUK 10W/10	476 509	5

Type	Cat.No.	Qty.
IZUK 6/2	476 302	10
IZUK 6/3	476 303	10
IZUK 6/4	476 304	10
IZUK 6/6	476 306	10
IZUK 6/10	476 309	5

Test Plug

Type	Cat.No.	Qty.
TF (Q4)	493 050	10

Type	Cat.No.	Qty.
TF (Ø4)	493 050	10

Comb Connector

Type	Cat.No.	Qty.
TKO 10/2	476 292	25
TKO 10/3	476 293	20
TKO 10/4	476 294	15
TKO 10/10	476 299	5

Type	Cat.No.	Qty.
UK 6/2	476 242	25
UK 6/3	476 243	20
UK 6/4	476 244	15
UK 6/10	476 249	5

Technical Data
Rated Impulse Voltage / Pollution severity
Insulation material group / Gauge pin code according to IEC 60947-1
Protection class / Protection conductor type
Marking Tags (Dekafix)
See pages 326-333 for a list of Dekafix

6/3
1/B6
IP 20 / -
D-NS 10x10, DG 10/10, SLF-P1 W

6/3
1/B5
IP 20 / -
D-NS 8x10, DG 10/8, SLF-P1 W

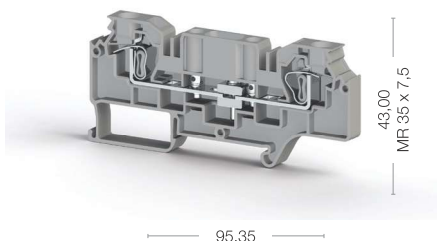
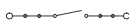
Package Quantity
50 pcs.

50 pcs.

50 pcs.

WGO 5

Width: 8 mm



Cat No:

- 376 190
- 376 100

Voltage, V ~	Current, A	Cross-Section
500	41	6 mm ²

0,2-10 mm ²		
0,2-6 mm ²		
1,5 mm ²		
AWG 24-8		
10-12 mm		
0,8-1,2 Nm		
KT 4 (0,8x4,0)		

Type	Cat.No.	Qty.
NPP/WGO 5	450 359	25
APP/WGO 5	463 219	25
Cover WGO 5	498 260	1 meter

Type	Cat.No.	Qty.
UK 6/2	476 242	25
UK 6/3	476 243	20
UK 6/4	476 244	15
UK 6/10	476 249	5

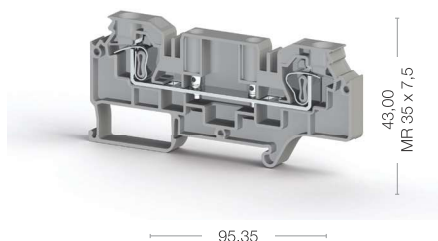
Type	Cat.No.	Qty.
TF (Ø4)	493 050	10

6/3		
1/A5		
IP 20 / -		
D-NS 8x10, DG 10/8, SLF-P1 W		

40 pcs.

WGO D5

Width: 8 mm



Cat No:

- 376 290
- 376 200

Voltage, V ~	Current, A	Cross-Section
500	41	6 mm ²

0,2-10 mm ²		
0,2-6 mm ²		
1,5 mm ²		
AWG 24-8		
10-12 mm		
0,8-1,2 Nm		
KT 4 (0,8x4,0)		

Type	Cat.No.	Qty.
NPP/WGO 5	450 359	25
APP/WGO 5	463 219	25

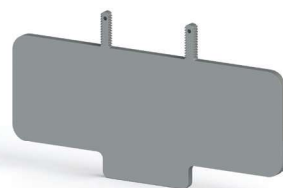
Type	Cat.No.	Qty.
UK 6/2	476 242	25
UK 6/3	476 243	20
UK 6/4	476 244	15
UK 6/10	476 249	5

Type	Cat.No.	Qty.
TF (Ø4)	493 050	10

6/3		
1/A5		
IP 20 / -		
D-NS 8x10 SLF-P1 W, DG 10/8		

40 pcs.

APP/WGO 5 - Cat No.: 463 219

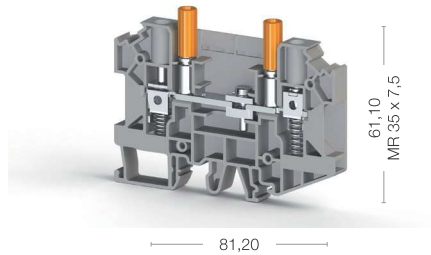
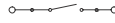


Protection Cover for WGO 5 - Cat No.: 498 260

WGO Y Series Test / Disconnect Terminals

WGO Y 6

Width: 8 mm

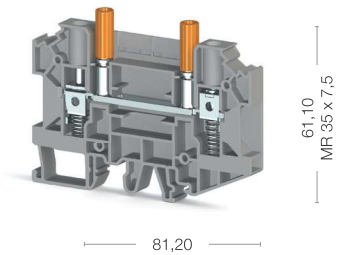


Cat No:

- 375 919
- 375 910

WGO YD 6

Width: 8 mm



Cat No:


- 375 929
- 375 920



Electrical Ratings
CE (EN 60947-7-1)
UL
VDE (IEC 60947-7-1)
CSA
ATEX

Connection Data
Conductor cross section solid (min.-max.)
Conductor cross section stranded (min.-max.)
2 conductors with same cross section, stranded, TWIN ferrules with plastic sleeve, (min.-max.)
AWG Conductor
Insulation Stripping Length (min.-max.)
Torque (min.-max.)
Screwdriver

End Plate	
	Grey Beige

Cross Connection


Test Plug


Technical Data
Rated Impulse Voltage / Pollution severity
Insulation material group / Gauge pin code according to IEC 60947-1
Protection class / Protection conductor type
Marking Tags (Dekafix)
See pages 326-333 for a list of Dekafix

Package Quantity
48 pcs.

Voltage, V ~	Current, A	Cross-Section
1000	41	6 mm ²
1000	41	6 mm ²
500	36	0,5-10 mm ²

0,2-10 mm ²	0,2-10 mm ²
0,2-10 mm ²	0,2-10 mm ²
0,5-4 mm ²	0,5-4 mm ²
AWG 24-8	AWG 24-8
10-12 mm	10-12 mm
0,8-1,2 Nm	0,8-1,2 Nm
IKT 4 (0,8x4,0)	IKT 4 (0,8x4,0)

Type	Cat.No.	Qty.
NPP/WGO Y 6	450 279	25
NPP/WGO Y 6	450 270	25

Type	Cat.No.	Qty.
IZUK 6/2	476 302	10
IZUK 6/3	476 303	10
IZUK 6/4	476 304	10
IZUK 6/6	476 306	10
IZUK 6/10	476 309	5
WGO UAA	498 300	1

Type	Cat.No.	Qty.
TF (Q4)	493 050	10

6/3
1/B5
IP 20 / -
D-NS 8x10, DG 10/8, SLF-P1 W

48 pcs.

Voltage, V ~	Current, A	Cross-Section
1000	41	6 mm ²
1000	41	6 mm ²
500	36	0,5-10 mm ²

0,2-10 mm ²	0,2-10 mm ²
0,2-10 mm ²	0,2-10 mm ²
0,5-4 mm ²	0,5-4 mm ²
AWG 24-8	AWG 24-8
10-12 mm	10-12 mm
0,8-1,2 Nm	0,8-1,2 Nm
IKT 4 (0,8x4,0)	IKT 4 (0,8x4,0)

Type	Cat.No.	Qty.
NPP/WGO YD 6	450 279	25
NPP/WGO YD 6	450 270	25

Type	Cat.No.	Qty.
IZUK 6/2	476 302	10
IZUK 6/3	476 303	10
IZUK 6/4	476 304	10
IZUK 6/6	476 306	10
IZUK 6/10	476 309	5
WGO UAA	498 300	1

Type	Cat.No.	Qty.
TF (Q4)	493 050	10

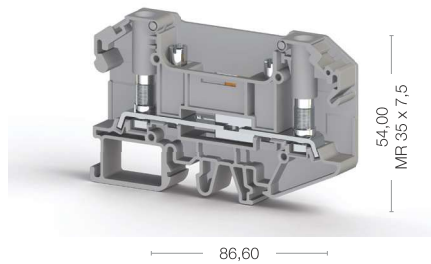
6/3
1/B5
IP 20 / -
D-NS 8x10, DG 10/8, SLF-P1 W

48 pcs.

WGO PB Series Test / Disconnect Terminals

WGO PB 6/NM

Width: 11 mm

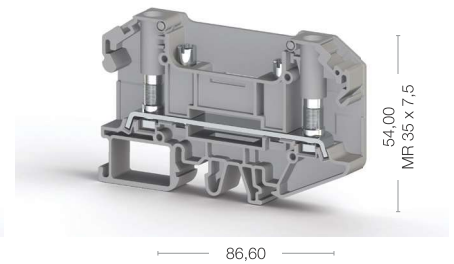


Cat No:

- 308 069
- 308 060

WGO PBD 6/NM

Width: 11 mm



Cat No:

- 308 079
- 308 070



Electrical Ratings
CE (EN 60947-7-1)
UL
VDE (IEC 60947-7-1)
CSA
ATEX

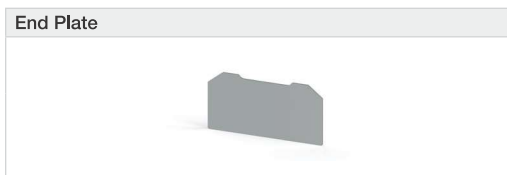
Voltage, V ~	Current, A	Cross-Section
1000	41	6 mm ²
600	45	AWG 22-8
1000	41	6 mm ²
600	45	AWG 22-8
630	36	0,5-6 mm ²

Voltage, V ~	Current, A	Cross-Section
1000	41	6 mm ²
600	45	AWG 22-8
600	45	AWG 22-8

Connection Data
Conductor cross section solid (min-max.)
Conductor cross section stranded (min.-max.)
AWG Conductor
Torque
Hole Diameter
Bolt Diameter
Screwdriver

0,5-6 mm ²
0,5-6 mm ²
AWG 22-8
0,8-1,2 Nm
4,2 mm
4 mm
IKT 5 (1,0x5,5)

0,5-6 mm ²
0,5-6 mm ²
AWG 22-8
0,8-1,2 Nm
4,2 mm
4 mm
IKT 5 (1,0x5,5)



End Plate

Type	Cat.No.	Qty.
NPP/WGO PB 6	451 009	25
APP/WGO PB 6	464 019	25

Type	Cat.No.	Qty.
NPP/WGO PB 6	451 009	25
APP/WGO PB 6	464 019	25

Type	Cat.No.	Qty.
TKO PB 6/2	479 002	25
TKO PB 6/3	479 003	20
TKO PB 6/4	479 004	15
TKO PB 6/7	479 007	5
TKO PB 6/10	479 009	5

Type	Cat.No.	Qty.
TKO PB 6/2	479 002	25
TKO PB 6/3	479 003	20
TKO PB 6/4	479 004	15
TKO PB 6/7	479 007	5
TKO PB 6/10	479 009	5

Test Plug

Technical Data
Rated Impulse Voltage / Pollution severity
Insulation material group / Gauge pin code according to IEC 60947-1
Protection class / Protection conductor type

6/3
1/NA
IP 20 / -

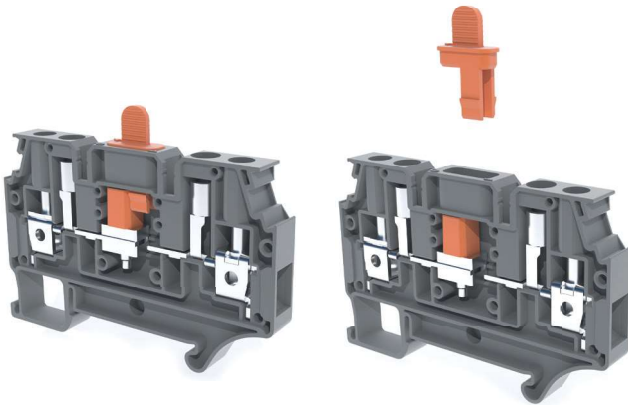
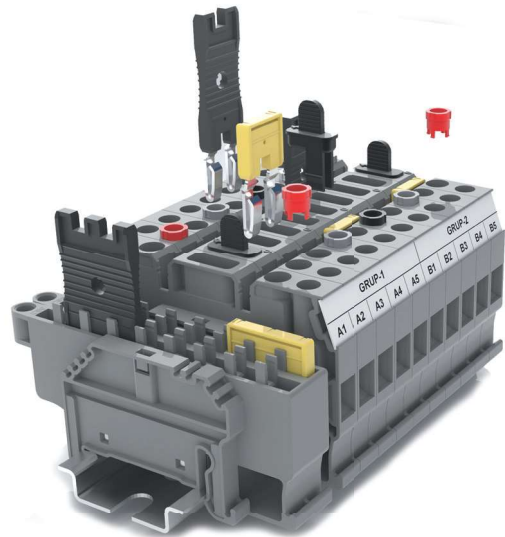
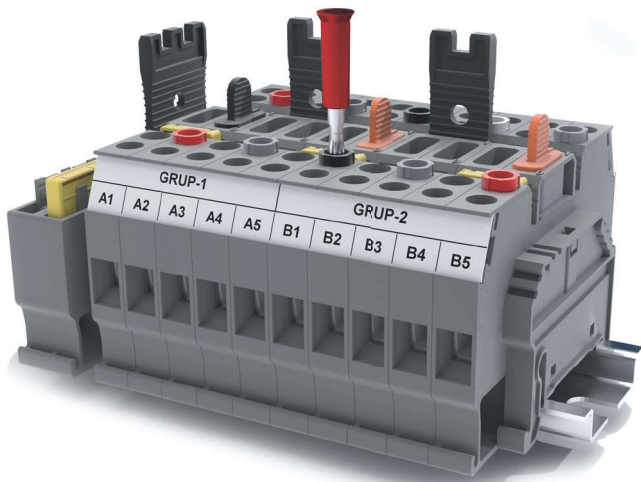
Marking Tags (Dekafix)
See pages 326-333 for a list of Dekafix

D-NS 8x10, DG 10/8
25 pcs.

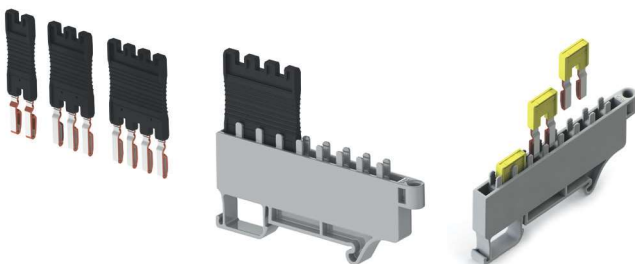
D-NS 8x10, DG 10/8
25 pcs.

WGO 6 Test and Disconnect Terminals

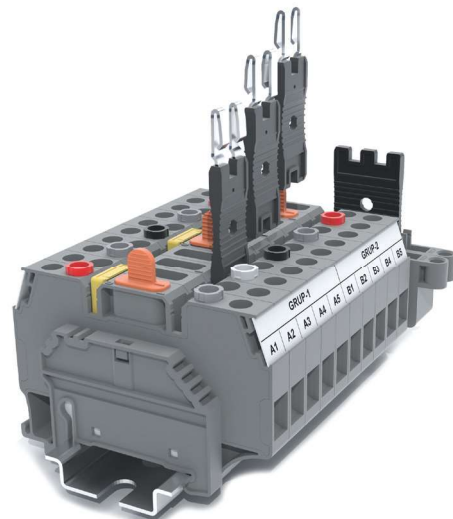
Complying EN 45545-2 European railway standard for fire safety classes R22-R23-R24-R26 for HL 1 – HL 2 –HL 3



- 6mm² Closed Type Test and Disconnect Terminal Block, no need for an extra end plate usage.
- Insulation Material V0 PA complied with UL 94
- Suitable for 4mm diameter test plug with preformed self socket. No need for a socket and test socket model selection, test plug can be inserted directly.
- Test Socket color coding is possible thanks to WGO 6KP coding plastics.
- WGO 6PK ensures the Sliding Disconnect Bridge safety with exact positioning. When the circuit is disconnected, you can use WGO 6PK as a safety isolation to prevent unexpected tripping and arcing.
- Suitable for 11.2mm marking strip.
- Din rail mounted ATCS 6 cross connection holder prevents possible accessory loss for SCS 6 and CS 6, when they are not in use.

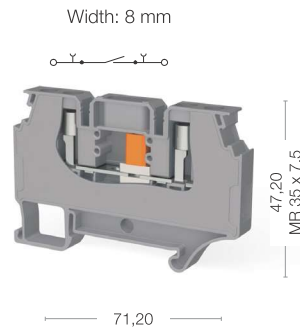


CS type (2-3-4-5-10 poles) accessories are push-in cross connectors, SCS type (2-3-4 poles) accessories are longer push-in short-circuit connectors. In case there is no accessory holder (ATCS 6) usage, SCS type connectors can be mounted upside down to same connection holes to prevent any accessory loss.



WGO 6 Series Test / Disconnect Terminals

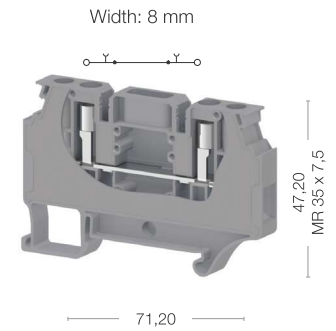
WGO 6/NM



Cat No:

309 609
309 600

WGO D6/NM



Cat No:

309 619
309 610



Electrical Ratings
CE (EN 60947-7-1)
UL
VDE (IEC 60947-7-1)
CSA
ATEX

Voltage, V ~	Current, A	Cross-Section
1000	41	6 mm ²
600	50	AWG 24-8

Voltage, V ~	Current, A	Cross-Section
1000	41	6 mm ²
600	50	AWG 24-8

Connection Data
Conductor cross section solid (min.-max.)
Conductor cross section stranded (min.-max.)
AWG Conductor
Torque
Hole Diameter
Bolt Diameter
Screwdriver

0,2-10 mm ²
0,2-10 mm ²
AWG 24-8
0,8-1,0 Nm
10 mm
B5
IKT 4 (0,8x4)

0,2-10 mm ²
0,2-10 mm ²
AWG 24-8
0,8-1,0 Nm
10 mm
B5
IKT 4 (0,8x4)

Cross Connection

Type	Cat.No.	Qty.
CS 6/2	470 122	25
CS 6/3	470 123	20
CS 6/4	470 124	15
CS 6/5	470 125	10
CS 6/10	470 129	5
SCS 6/2	470 172	25
SCS 6/3	470 173	20
SCS 6/4	470 174	15

Type	Cat.No.	Qty.
CS 6/2	470 122	25
CS 6/3	470 123	20
CS 6/4	470 124	15
CS 6/5	470 125	10
CS 6/10	470 129	5
SCS 6/2	470 172	25
SCS 6/3	470 173	20
SCS 6/4	470 174	15

Plastic Lock
Grey
Orange
Black

Type	Cat.No.	Qty.
WGO 6_PK	469 079	50
WGO 6_PK	469 077	50
WGO 6_PK	469 075	50

Type	Cat.No.	Qty.

Coding Plastic
Orange
Blue
Green
Yellow
Red
Black

Type	Cat.No.	Qty.
WGO 6_KP	469 067	50
WGO 6_KP	469 061	50
WGO 6_KP	469 062	50
WGO 6_KP	469 063	50
WGO 6_KP	469 064	50
WGO 6_KP	469 065	50

Type	Cat.No.	Qty.
WGO 6_KP	469 067	50
WGO 6_KP	469 061	50
WGO 6_KP	469 062	50
WGO 6_KP	469 063	50
WGO 6_KP	469 064	50
WGO 6_KP	469 065	50

Test Plug

Type	Cat.No.	Qty.
TF04	493 050	10

Type	Cat.No.	Qty.
TF04	493 050	10

Cross Connection Holder

Type	Cat.No.	Qty.
ATCS 6	499 559	20

Type	Cat.No.	Qty.
ATCS 6	499 559	20

Technical Data
Rated Impulse Voltage / Pollution severity
Insulation material group / Gauge pin code according to IEC 60947-1
Protection class / Protection conductor type
Marking Tags (Dekafix)
See pages 326-333 for a list of Dekafix

6/3
1/NA
IP 20 / -
D-NS 8x10, DG 10/8, SLF-P1 W

6/3
1/NA
IP 20 / -
D-NS 8x10, DG 10/8, SLF-P1 W

Package Quantity


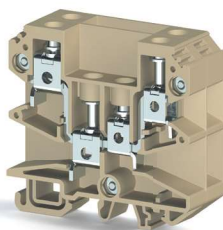
50 pcs.

50 pcs.

Distribution Terminals

AYK 10/16

Width: 11 mm

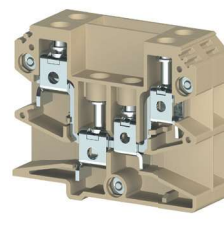



65,30
MF 35x7,5

69,50

AYK 10/16

Width: 11 mm

54,80

66,30

Cat No:

395 100

Cat No:

395 200



Electrical Ratings
CE (EN 60947-7-1)
UL
VDE (IEC 60947-7-1)
CSA
ATEX

Voltage, V ~	Current, A	Cross-Section
750	76	16 mm ²

Voltage, V ~	Current, A	Cross-Section
750	76	16 mm ²

Connection Data
Conductor cross section solid (min.-max.)
Conductor cross section stranded (min.-max.)
2 conductors with same cross section, stranded, TWIN ferrules with plastic sleeve, (min.-max.)
AWG Conductor
Insulation Stripping Length (min.-max.)
Torque (min.-max.)
Screwdriver

2,5-0,5 mm ²
25-16 mm ²
1,5-0,5/10-6 mm ²
AWG 14/20-4/6
14/8-16/10 mm
1,2/1,2-2,0/1,8 Nm
IKT 4 (0,8x4,0)

2,5-0,5 mm ²
25-16 mm ²
1,5-0,5/10-6 mm ²
AWG 14/20-4/6
14/8-16/10 mm
1,2/1,2-2,0/1,8 Nm
IKT 4 (0,8x4,0)

Ordering Data



Type	Cat.No.	Qty.
NPP/AYK	450 090	10

Type	Cat.No.	Qty.
NPP/AYK	450 090	10

Technical Data
Rated Impulse Voltage / Pollution severity
Insulation material group / Gauge pin code according to IEC 60947-1
Protection class / Protection conductor type
Marking Tags (Dekafix)
See pages 326-333 for a list of Dekafix

8/3
1/B6
IP 20 / -
D-NS 5x6, DB 5, DG 6/5,

8/3
1/B6
IP 20 / -
D-NS 5x6, DB 5, DG 6/5,

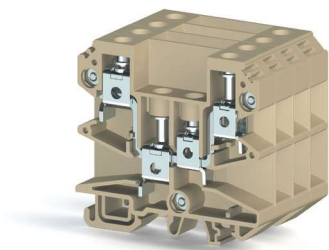
Package Quantity

20 pcs.

20 pcs.

AYK 10/16-2,3,4,5

Width: 23,5 - 34,5 - 45,5 - 56,5 mm
(With End Plate)



Cat No:

■ 395 220

Voltage, V ~	Current, A	Cross-Section
750	76	16 mm ²

2,5-0,5 mm ²
25-16 mm ²
1,5-0,5/10-6 mm ²
AWG 14/20-4/6
14/8-16/10 mm
1,2/1,2-2,0/1,8 Nm
IKT 4 (0,8x4,0)

Type	Cat.No.	Qty.
AYK 10/16 - 2	395 220	20
AYK 10/16 - 3	395 230	20
AYK 10/16 - 4	395 240	20
AYK 10/16 - 5	395 250	20

Type	Cat.No.	Qty.
NPP/AYK	450 090	10

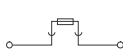
8/3
1/B6
IP 20 / -
D-NS 5x6, DB 5, DG 6/5,

20 pcs.

Screw Type Fuse Terminals

ASK 2 S

Width: 8 mm



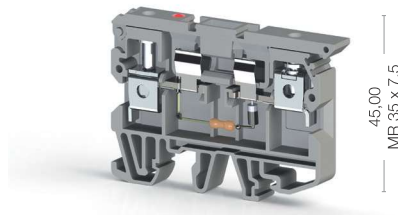
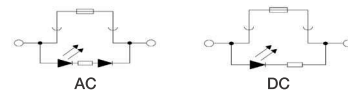
64,20

Cat No:

- 351 109
- 351 100

ASK 2 LD

Width: 8 mm



64,20

Cat No:

- 351 219
- 351 210



Electrical Ratings
CE (EN 60947-7-3)
UL
VDE (IEC 60947-7-1)
CSA
ATEX

Voltage, V ~	Current, A	Cross-Section
500	6,3	6 mm ²
300	6,3	AWG 26-8

Voltage, V ~	Current, A	Cross-Section
	6,3	6 mm ²
	6,3	AWG 26-8

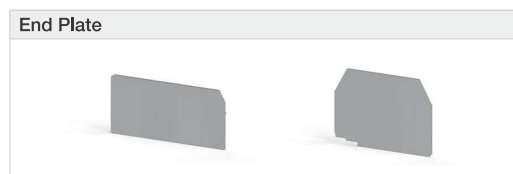
Connection Data
Conductor cross section solid (min.-max.)
Conductor cross section stranded (min.-max.)
2 conductors with same cross section, stranded, TWIN ferrules with plastic sleeve, (min.-max.)
AWG Conductor
Insulation Stripping Length (min.-max.)
Torque (min.-max.)
Screwdriver

0,2-10 mm ²
0,2-10 mm ²
0,5-4 mm ²
AWG 24-8
10-12 mm
0,8-1,2 Nm
IKT 3 (0,6x3,5)

0,2-10 mm ²
0,2-10 mm ²
0,5-4 mm ²
AWG 24-8
10-12 mm
0,8-1,2 Nm
IKT 3 (0,6x3,5)

Ordering Data

Type	Cat.No.	Qty.
ASK 2 LD (24 AC)	351 219	25
ASK 2 LD (24 DC)	351 229	25
ASK 2 LD (48 AC)	351 319	25
ASK 2 LD (48 DC)	351 329	25
ASK 2 LD (110 AC)	351 519	25
ASK 2 LD (110 DC)	351 529	25
ASK 2 LD (220 AC)	351 619	25
ASK 2 LD (220 DC)	351 629	25



Type	Cat.No.	Qty.
NPP/ASK 2	450 049	25

Type	Cat.No.	Qty.
NPP/ASK 2	450 049	25



Technical Data
Rated Impulse Voltage / Pollution severity
Insulation material group / Gauge pin code according to IEC 60947-1
Protection class / Protection conductor type
Fuse / Fuse Type
Marking Tags (Dekafix)
See pages 326-333 for a list of Dekafix

6/3
1/B5
IP 20 / -
G/5x20-5x25
D-NS 5x6, DB 5, DG 6x5

6/3
1/B5
IP 20 / -
G/5x20-5x25
D-NS 5x6, DB 5, DG 6x5

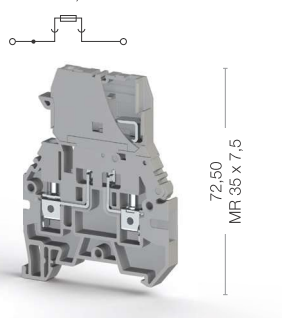
Package Quantity

50 pcs.

25 pcs.

ASK 3 M

Width: 6,2 mm



54,10

Cat No:

- 355 109
- 355 100

Voltage, V ~	Current, A	Cross-Section
500	10	4 mm ²
600	10	AWG 26-10

0,2-6 mm ²		
0,2-6 mm ²		
0,5-2,5 mm ²		
AWG 24-10		
9-10 mm		
0,5-0,8 Nm		
IKT 3 (0,6x3,5)		

Type	Cat.No.	Qty.

Type	Cat.No.	Qty.
NPP/ASK 3	450 059	10

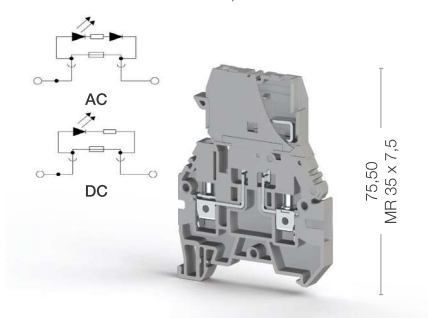
Type	Cat.No.	Qty.
UK 4/2	476 232	25
UK 4/3	476 233	20
UK 4/4	476 234	15

6/3		
1/A4		
IP 20 / -		
G/5x20-5x25		
DB 5, DB 10/6, D-NS 6x10, D-NS 5x6		

30 pcs.

ASK 3 MLD

Width: 6,2 mm



54,10

Cat No:

- 355 219
- 355 210

Voltage, V ~	Current, A	Cross-Section
	10	4 mm ²
	10	AWG 26-10

0,2-6 mm ²		
0,2-6 mm ²		
0,5-2,5 mm ²		
AWG 24-10		
9-10 mm		
0,5-0,8 Nm		
IKT 3 (0,6x3,5)		

Type	Cat.No.	Qty.
ASK 3 MLD (24 AC)	355 219	30
ASK 3 MLD (24 DC)	355 229	30
ASK 3 MLD (48 AC)	355 319	30
ASK 3 MLD (48 DC)	355 329	30
ASK 3 MLD (110 AC)	355 519	30
ASK 3 MLD (110 DC)	355 529	30
ASK 3 MLD (220 AC)	355 619	30
ASK 3 MLD (220 DC)	355 629	30

Type	Cat.No.	Qty.
NPP/ASK 3	450 059	10

Type	Cat.No.	Qty.
UK 4/2	476 232	25
UK 4/3	476 233	20
UK 4/4	476 234	15

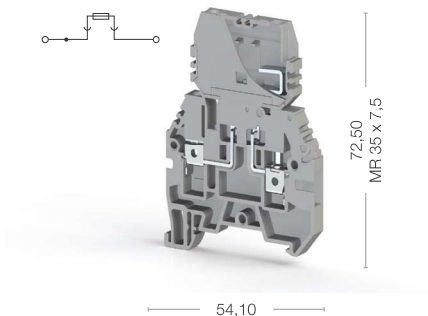
6/3		
1/A4		
IP 20 / -		
G/5x20-5x25		
DB 5, DB 10/6, D-NS 6x10, D-NS 5x6		

30 pcs.

Screw Type Fuse Terminals

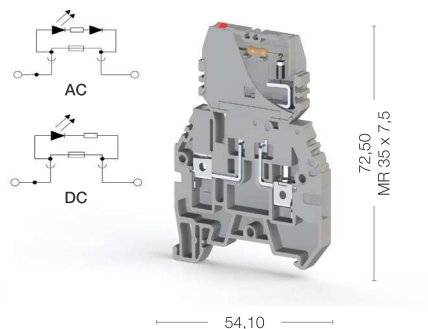
ASK 3 F

Width: 6,2 mm



ASK 3 FLD

Width: 6,2 mm



Cat No:

- 354 109
- 354 100

Cat No:

- 354 219
- 354 210



Electrical Ratings
CE (EN 60947-7-3)
UL
VDE (IEC 60947-7-1)
CSA
ATEX

Voltage, V ~	Current, A	Cross-Section
500	10	4 mm ²
600	10	AWG 26-10

Voltage, V ~	Current, A	Cross-Section
	10	4 mm ²
	10	AWG 26-10

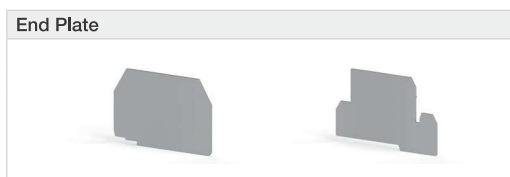
Connection Data
Conductor cross section solid (min.-max.)
Conductor cross section stranded (min.-max.)
2 conductors with same cross section, stranded, TWIN ferrules with plastic sleeve, (min.-max.)
AWG Conductor
Insulation Stripping Length (min.-max.)
Torque (min.-max.)
Screwdriver

0,2-6 mm ²
0,2-6 mm ²
0,5-2,5 mm ²
AWG 24-10
9-10 mm
0,5-0,8 Nm
IKT 3 (0,6x3,5)

0,2-6 mm ²
0,2-6 mm ²
0,5-2,5 mm ²
AWG 24-10
9-10 mm
0,5-0,8 Nm
IKT 3 (0,6x3,5)

Ordering Data

Type	Cat.No.	Qty.
ASK 3 FLD (24 AC)	354 219	30
ASK 3 FLD (24 DC)	354 229	30
ASK 3 FLD (48 AC)	354 319	30
ASK 3 FLD (48 DC)	354 329	30
ASK 3 FLD (110 AC)	354 519	30
ASK 3 FLD (110 DC)	354 529	30
ASK 3 FLD (220 AC)	354 619	30
ASK 3 FLD (220 DC)	354 629	30



Technical Data
Rated Impulse Voltage / Pollution severity
Insulation material group / Gauge pin code according to IEC 60947-1
Protection class / Protection conductor type
Fuse / Fuse Type
Marking Tags (Dekafix)
See pages 326-333 for a list of Dekafix

Type	Cat.No.	Qty.
UK 4/2	476 232	25
UK 4/3	476 233	20
UK 4/4	476 234	15

Type	Cat.No.	Qty.
UK 4/2	476 232	25
UK 4/3	476 233	20
UK 4/4	476 234	15

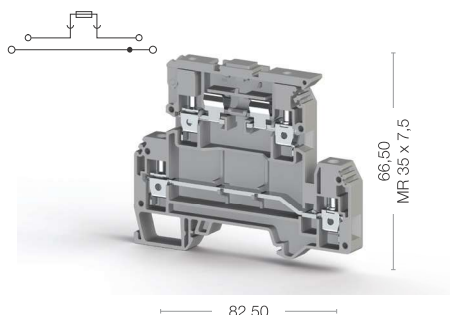
Package Quantity
30 pcs.

DB 5, DB 10/6, D-NS 6x10, D-NS 5x6
30 pcs.

DB 5, DB 10/6, D-NS 6x10, D-NS 5x6
30 pcs.

AVK 4 FS

Width: 8 mm



Cat No:

- 353 309
- 353 300

Voltage, V ~	Current, A	Cross-Section
500	32	4 mm ²
300	6,3/30	AWG 26-10

0,2-6 mm ²
0,2-6 mm ²
0,5-2,5 mm ²
AWG 24-10
8-9 mm
0,5-0,8 Nm
IKT 3 (0,6x3,5)

Type	Cat.No.	Qty.

Type	Cat.No.	Qty.
NPP/AVK 4 FS	450 209	10

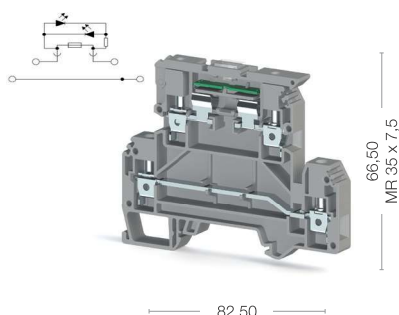
Type	Cat.No.	Qty.
UK 6/2	476 242	25
UK 6/3	476 243	20
UK 6/4	476 244	15
UK 6/10	476 249	5

6/3
1/A4
IP 20 / -
G/5x20-5x25
D-NS 5x6, DB 5, DG 6/5

50 pcs.

AVK 4 FSLD

Width: 8 mm



Cat No:

- 353 329
- 353 320

Voltage, V ~	Current, A	Cross-Section
	32	4 mm ²
300	6,3/30	AWG 26-10

0,2-6 mm ²
0,2-6 mm ²
0,5-2,5 mm ²
AWG 24-10
8-9 mm
0,5-0,8 Nm
IKT 3 (0,6x3,5)

Type	Cat.No.	Qty.
AVK 4 FSLD (110V AC/DC)	353 349	50
AVK 4 FSLD (24V AC/DC)	353 329	50
AVK 4 FSLD (220V AC/DC)	353 359	50

Type	Cat.No.	Qty.
NPP/AVK 4FS	450 209	10

Type	Cat.No.	Qty.
UK 6/2	476 242	25
UK 6/3	476 243	20
UK 6/4	476 244	15
UK 6/10	476 249	5

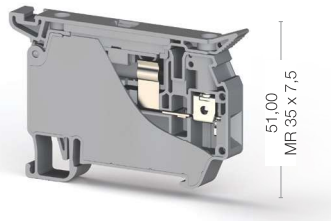
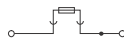
6/3
1/A4
IP 20 / -
G/5x20-5x25
D-NS 5x10, D-NS 5x6, DG 6/5, DB 5

50 pcs.

Screw Type Fuse Terminals

ASK 5

Width: 8 mm



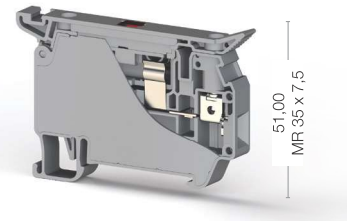
69,60

Cat No:

- 353 409
- 353 400

ASK 5 LD

Width: 8 mm



69,60

Cat No:

- 353 429
- 353 420



Electrical Ratings
CE (EN 60947-7-3)
UL
VDE (IEC 60947-7-1)
CSA
ATEX

Voltage, V ~	Current, A	Cross-Section
500	10	4 mm ²
300	10	AWG 26-10

Voltage, V ~	Current, A	Cross-Section
	10	4 mm ²
	10	AWG 26-10

Connection Data
Conductor cross section solid (min.-max.)
Conductor cross section stranded (min.-max.)
2 conductors with same cross section, stranded, TWIN ferrules with plastic sleeve, (min.-max.)
AWG Conductor
Insulation Stripping Length (min.-max.)
Torque (min.-max.)
Screwdriver

0,2-6 mm ²
0,2-6 mm ²
0,5-2,5 mm ²
AWG 24-10
8-9 mm
0,5-0,8 Nm
IKT 3 (0,6x3,5)

0,2-6 mm ²
0,2-6 mm ²
0,5-2,5 mm ²
AWG 24-10
8-9 mm
0,5-0,8 Nm
IKT 3 (0,6x3,5)

Ordering Data

Type	Cat.No.	Qty.
ASK 5 LD 24V AC/DC	353 429	50
ASK 5 LD 110V AC/DC	353 449	50
ASK 5 LD 220V AC/DC	353 439	50

Push-in Cross Connection

Type	Cat.No.	Qty.
UK 6/2	476 242	25
UK 6/3	476 243	20
UK 6/4	476 244	15
UK 6/10	476 249	5

Type	Cat.No.	Qty.
UK 6/2	476 242	25
UK 6/3	476 243	20
UK 6/4	476 244	15
UK 6/10	476 249	5

Technical Data
Rated Impulse Voltage / Pollution severity
Insulation material group / Gauge pin code according to IEC 60947-1
Protection class / Protection conductor type
Fuse / Fuse Type
Marking Tags (Dekafix)
See pages 326-333 for a list of Dekafix

6/3
1/A4
IP 20 / -
G/5x20-5x25
D-NS 8x10, DG 10/8

6/3
1/A4
IP 20 / -
G/5x20-5x25
D-NS 8x10, DG 10/8

Package Quantity
50 pcs.

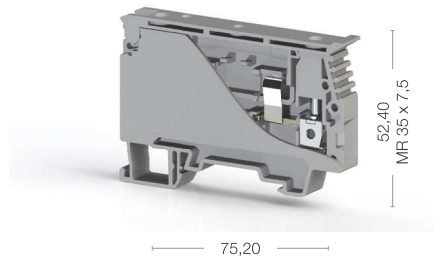
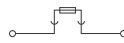
50 pcs.

50 pcs.

Fuse Terminals for American Standards

ASK 4 S

Width: 10 mm

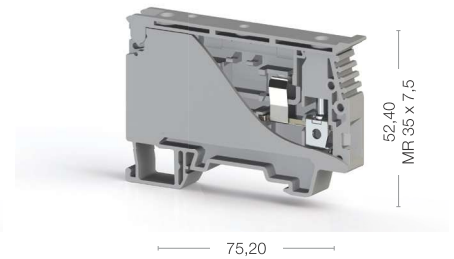
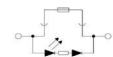


Cat No:

- 351 129
- 351 120

ASK 4 LD

Width: 10 mm



Cat No:

- 351 719
- 351 710



Electrical Ratings
CE (EN 60947-7-3)
UL
VDE (IEC 60947-7-1)
CSA
ATEX

Voltage, V ~	Current, A	Cross-Section
750	6,3	6 mm ²
600	6,3	AWG 22-8

Voltage, V ~	Current, A	Cross-Section
	6,3	6 mm ²
	6,3	AWG 22-8

Connection Data
Conductor cross section solid (min.-max.)
Conductor cross section stranded (min.-max.)
2 conductors with same cross section, stranded, TWIN ferrules with plastic sleeve, (min.-max.)
AWG Conductor
Insulation Stripping Length (min.-max.)
Torque
Screwdriver

0,34-10 mm ²
0,34-10 mm ²
0,5-4 mm ²
AWG 22-8
9-10 mm
0,5-0,8 Nm
IKT 3 (0,6x3,5)

0,34-10 mm ²
0,34-10 mm ²
0,5-4 mm ²
AWG 22-8
9-10 mm
0,5-0,8 Nm
IKT 3 (0,6x3,5)

Ordering Data

Type	Cat.No.	Qty.
ASK 4 LD (24 AC)	351 719	20
ASK 4 LD (24 DC)	351 729	20
ASK 4 LD (48 AC)	351 739	20
ASK 4 LD (48 DC)	351 749	20
ASK 4 LD (110 AC)	351 759	20
ASK 4 LD (110 DC)	351 769	20
ASK 4 LD (220 AC)	351 779	20
ASK 4 LD (220 DC)	351 789	20

Technical Data
Rated Impulse Voltage / Pollution severity
Insulation material group / Gauge pin code according to IEC 60947-1
Protection class / Protection conductor type
Fuse / Fuse Type
Marking Tags (Dekafix)
See pages 326-333 for a list of Dekafix

6/3
1/B5
IP 20 / -
6,35x31,75
D-NS 8x10, DG 10/8

6/3
1/B5
IP 20 / -
6,35x31,75
D-NS 8x10, DG 10/8

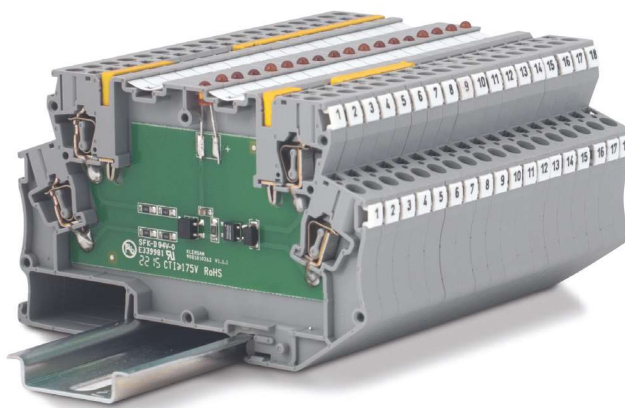
Package Quantity

20 pcs.

20 pcs.

Double Level Electronic Terminals

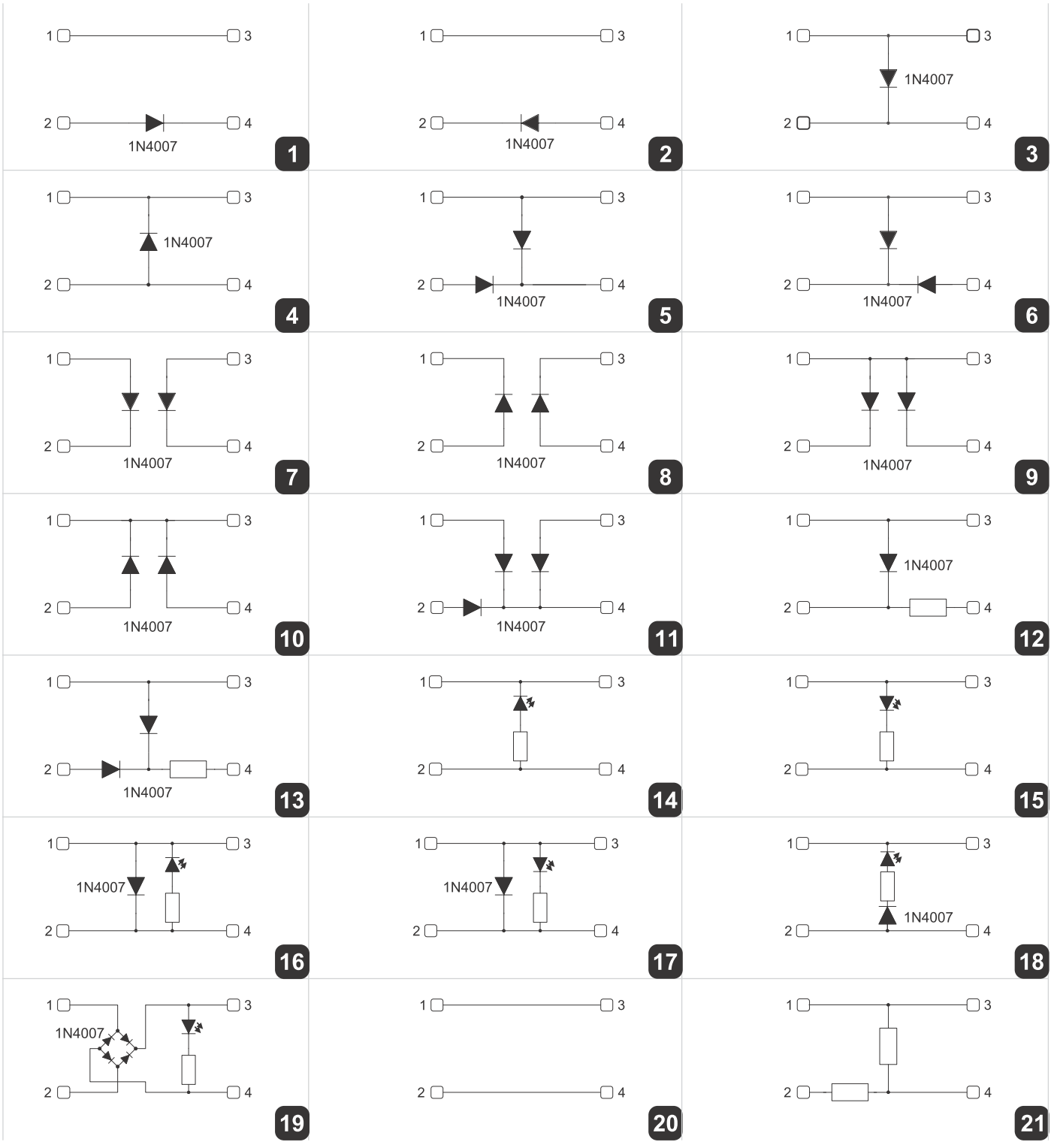
WG - EKI



From reverse current protection to lamp test circuit, you can select among 20 ready to use circuits of WG EKI-N, or choose the empty one and apply your own circuit. There are many choices with different number of contacts and housing type suitable for your needs. Spring clamp connections speed up the cable installations whereas plug-in cross connectors provides easy and safe connection. New WG EKI-N series terminal blocks can be labeled by using plotter or thermal marking systems.

Electrical Ratings	
Terminal Current	10 A
Diode Voltage	1000 V
Diode Current	1 A
Connection Data	
Solid Strand, Screw Connection	0,8 - 4 mm ²
Fine Strand, Screw Connection	0,8 - 2,5 mm ²
AWG Conductor	AWG 28 - 12
Terminal Width	6,2 mm
Terminal Length	100,5 mm

Sch. Cir. Dia.	Input Voltage	Circuit Type	Cat. No.
1	-	Reverse Current Protection	110 010N
2	-	Reverse Current Protection	110 020N
3	-	Reverse Current Protection	110 030N
4	-	Reverse Current Protection	110 040N
5	-	Lamp / Test Circuit	110 050N
6	-	Lamp / Test Circuit	110 060N
7	-	Reverse Current Protection	110 070N
8	-	Reverse Current Protection	110 080N
9	-	Lamp / Test Circuit	110 090N
10	-	Lamp / Test Circuit	110 100N
11	-	Lamp / Test Circuit	110 110N
12	24VAC/DC	Lamp / Test Circuit	110 120N
13	24VAC/DC	Lamp / Test Circuit	110 130N
14	24VDC	Voltage Indicator	110 140N
14	110VDC	Voltage Indicator	110 150N
14	220VDC	Voltage Indicator	110 160N
15	24VDC	Voltage Indicator	110 170N
15	110VDC	Voltage Indicator	110 180N
15	220VDC	Voltage Indicator	110 190N
16	24VDC	Voltage Indicator + Flyback Diode	110 200N
17	24VDC	Voltage Indicator + Flyback Diode	110 210N
18	24VAC/DC	Voltage Indicator	110 270N
18	48VAC/DC	Voltage Indicator	110 280N
18	110VAC/DC	Voltage Indicator	110 290N
18	220VAC/DC	Voltage Indicator	110 300N
19	24VAC/DC	Voltage Indicator + Rectifier	110 310N
19	110VAC/DC	Voltage Indicator + Rectifier	110 320N
19	220VAC/DC	Voltage Indicator + Rectifier	110 330N
20	-	Terminal with Cross Connection	110 380N
21	24VAC/DC	Voltage Divider	110 410N

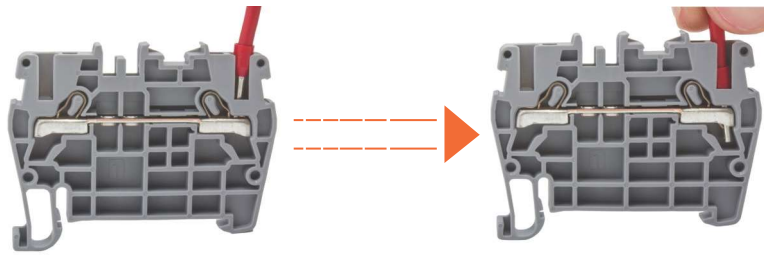


Accessories and Components

	End Plate	Plug-in Bridge 2 Holes	Plug-in Bridge 3 Holes	Plug-in Bridge 4 Holes	Plug-in Bridge 5 Holes	Plug-in Bridge 10 Holes	Plug-in Bridge 20 Holes	DG 6/5 Label	DB 5 Label	11.2 Strip Label
Cat. No.	450389	470112	470113	470114	470115	470119	470180	505330	505850	1020100
Qty.	10	25	20	15	10	5	5	440	500	1

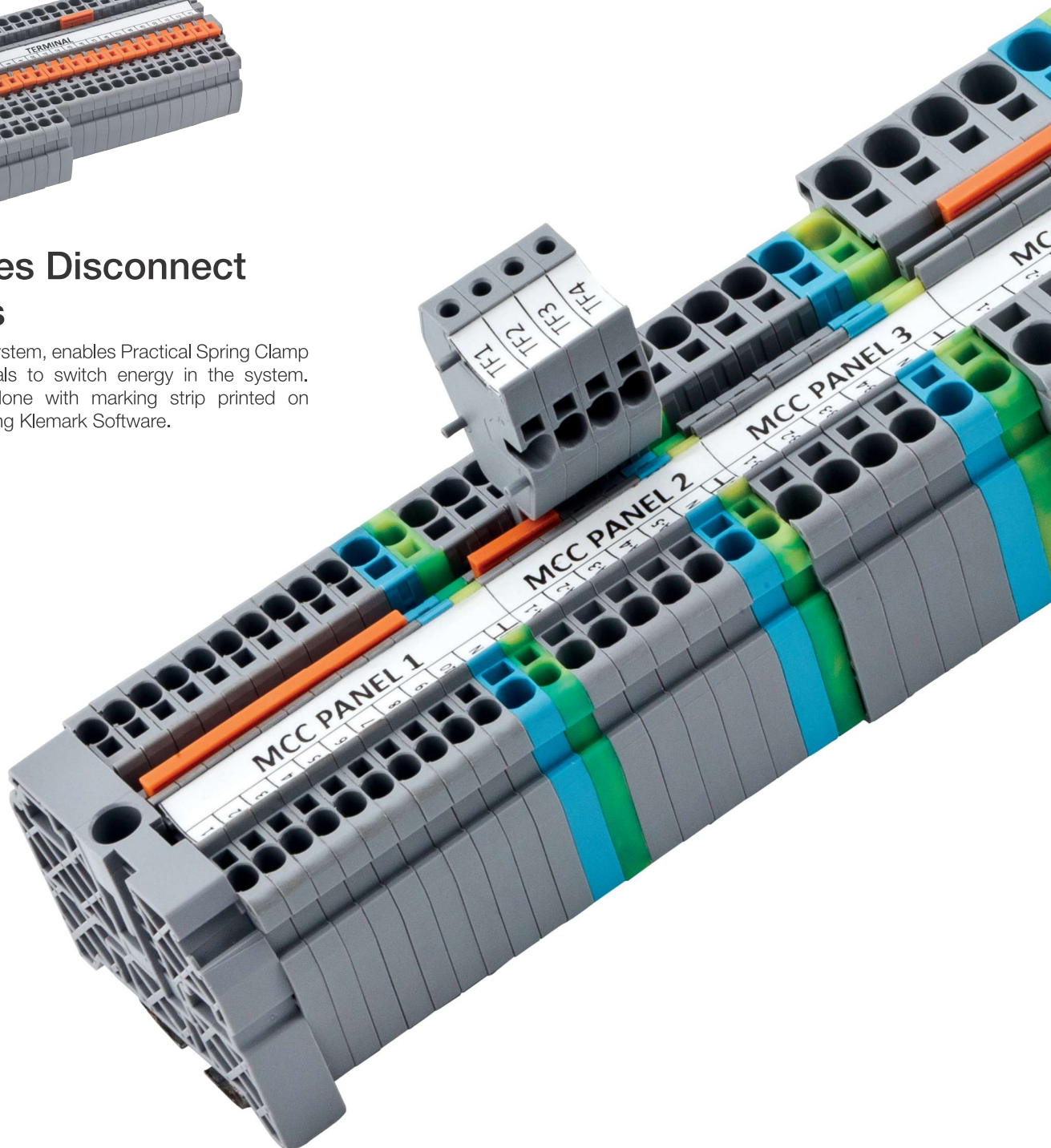
Easy Mounting of PYK Series Terminals

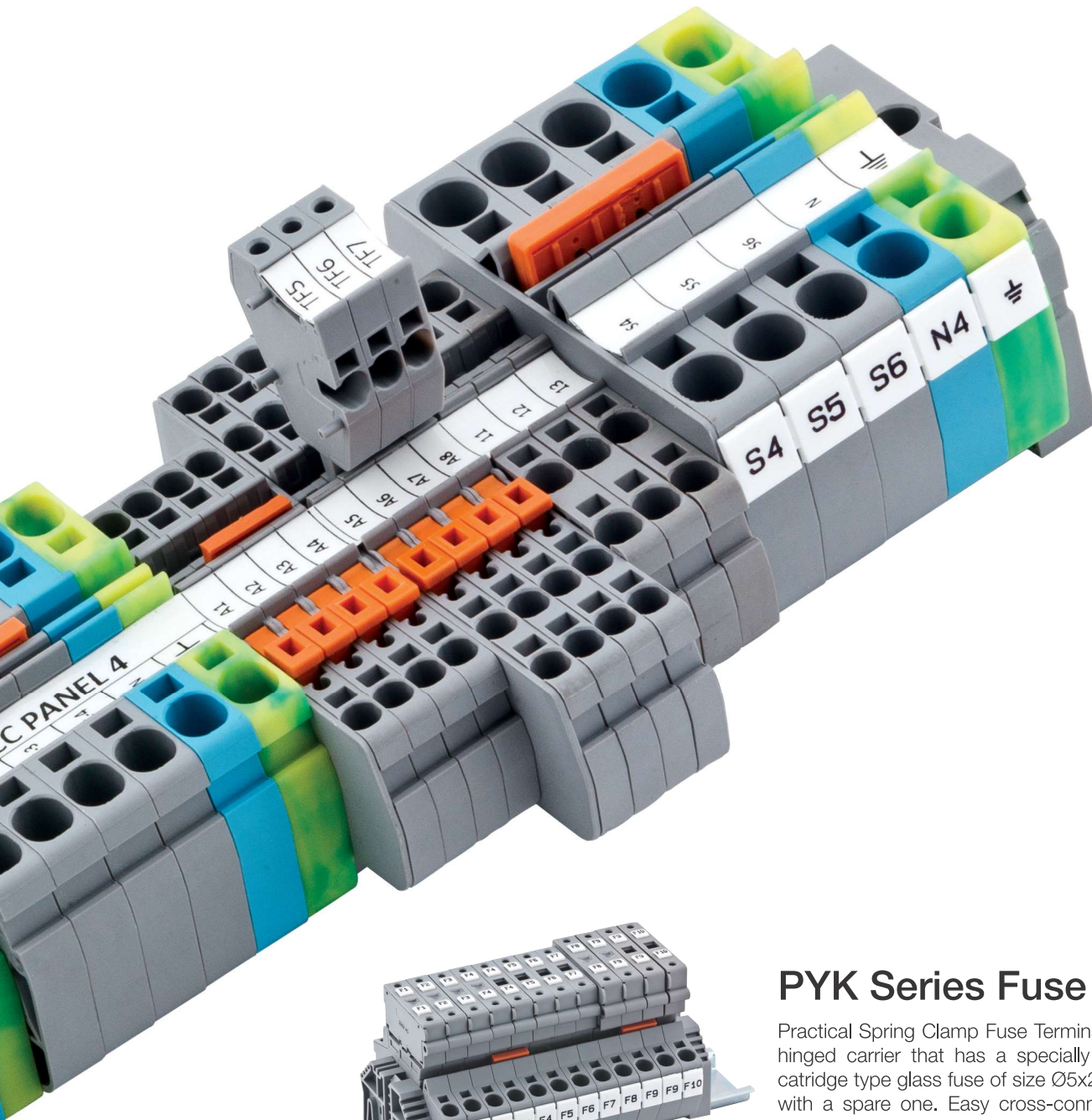
Solid/stranded cables(with ferrules) are connected to the terminal just by pushing-in,without the need to use a screwdriver. The patented design of its spring provides fast and safe connection in heavily vibrating environments.



PYK Series Disconnect Terminals

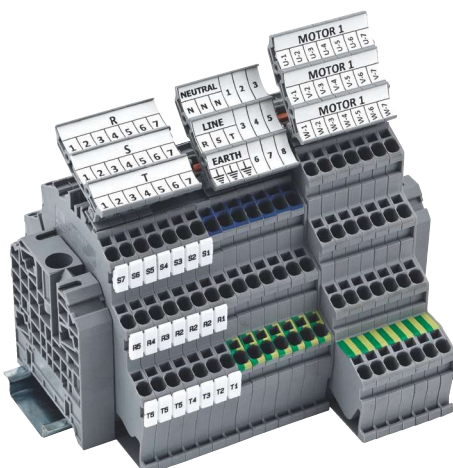
Knife Disconnect System, enables Practical Spring Clamp Disconnect Terminals to switch energy in the system. Marking can be done with marking strip printed on Thermal printer, using Klemark Software.





PYK Series Fuse Terminals

Practical Spring Clamp Fuse Terminals has a sliding type hinged carrier that has a specially designed space for cartridge type glass fuse of size Ø5x20 or Ø5x25 together with a spare one. Easy cross-connection can be done by the help of Push in type Practical Cross Connection. Accessories facilitating Plotter labeling are available.

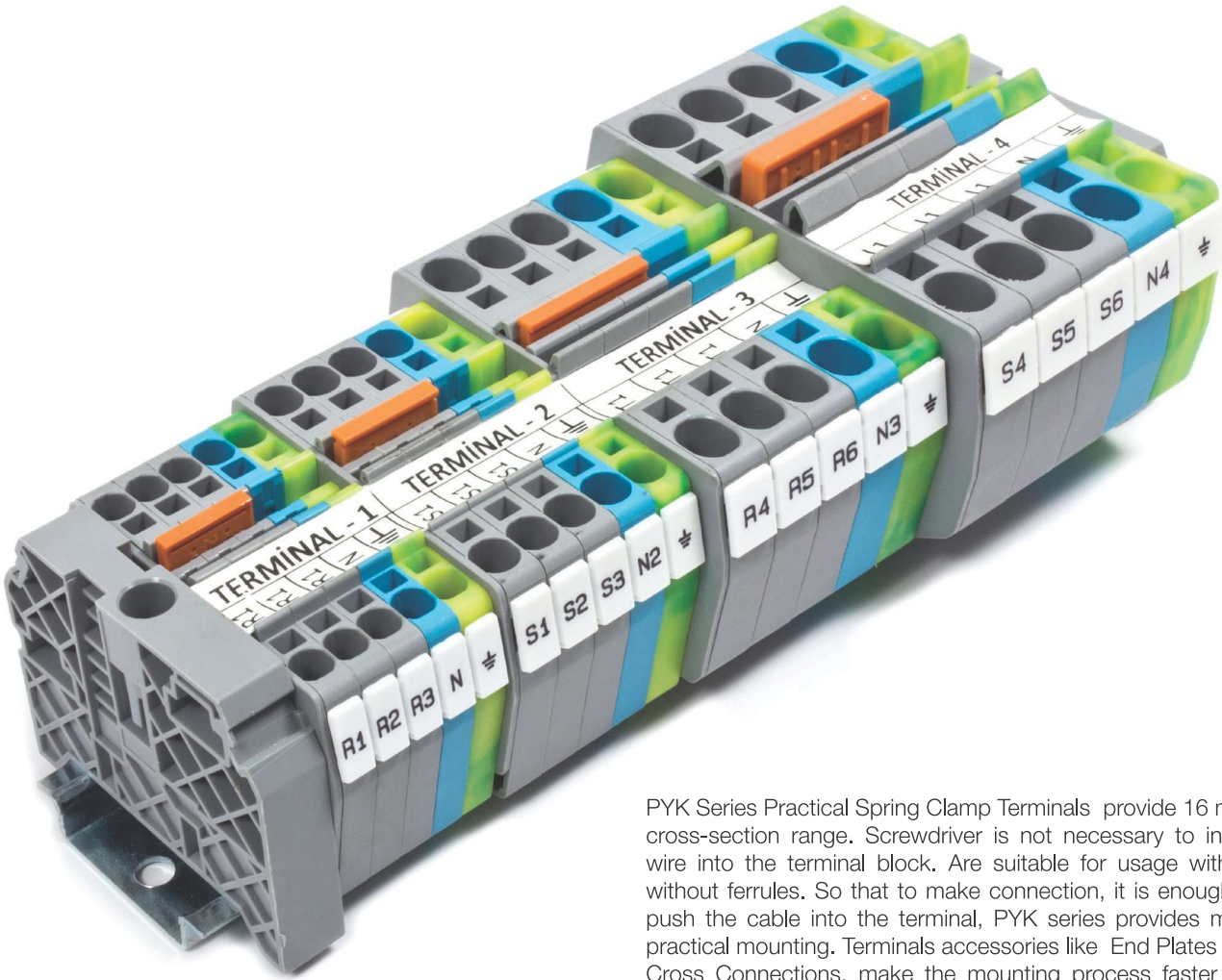


PYK Series Multilevel Terminals

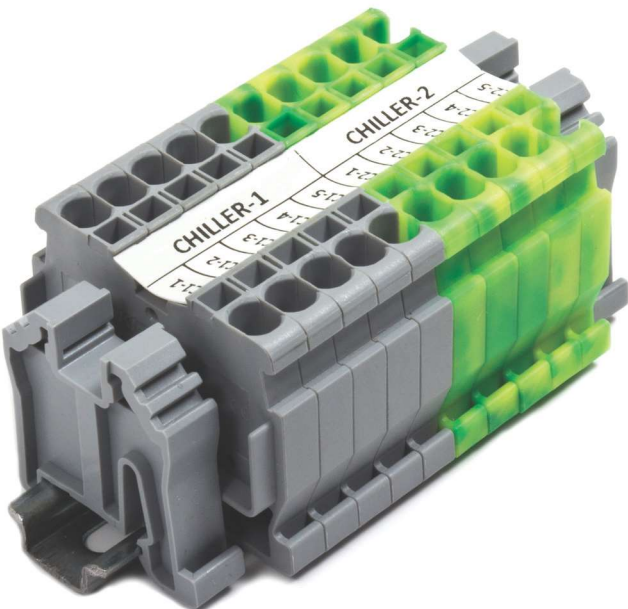
Practical Spring Clamp Multilevel Terminals are used to perform connection of wires in limited spaces, 2-3 times more connections can be done at the same space on the rail.

Cross-connection can be done between the layers. Marking is possible at each layer, at the same time usage of group marking carrier makes marking even clearer and visible.

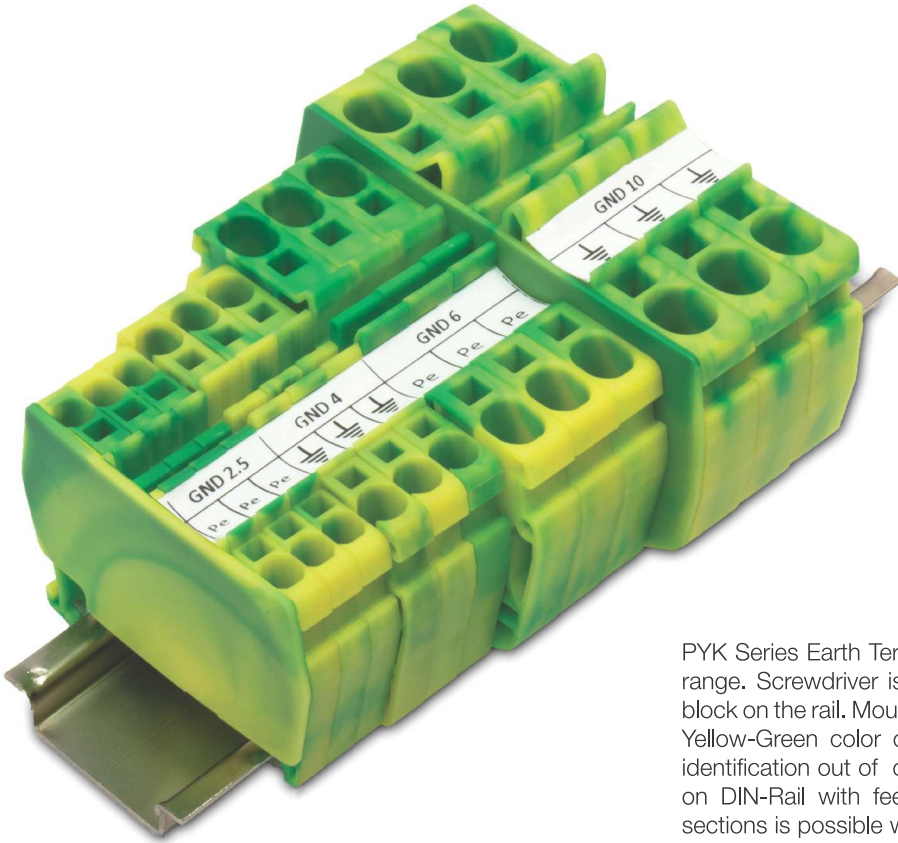
PYK Series Terminals



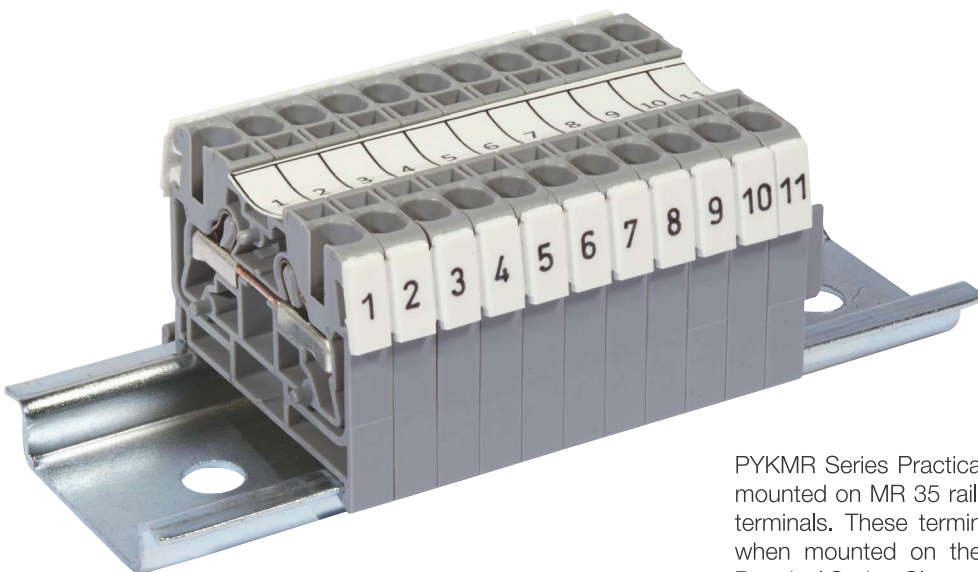
PYK Series Practical Spring Clamp Terminals provide 16 mm² cross-section range. Screwdriver is not necessary to install wire into the terminal block. Are suitable for usage with or without ferrules. So that to make connection, it is enough to push the cable into the terminal, PYK series provides more practical mounting. Terminals accessories like End Plates and Cross Connections, make the mounting process faster like in Test Terminals. Special Marking solutions for each cross section can be provided by Plotter labeling and with marking strip printed on Thermal printer, using Klemark Software. PYK Test Terminals, produced with the test and control aim, can be labeled with thermal marking strips and standard Dekafix markings.



PYKM Series Practical spring clamp mini Terminals, mounted on MR 15*5,5 rail, provide both feed-through and Earth terminals. These terminals can be connected to each other when mounted on the din rail and have safe connection. Practical Spring Clamp mini Terminals enable fast solutions on narrow spaces. Marking solutions are available with Thermal Printer labeling and Plotter labeling.



PYK Series Earth Terminals provides 16 mm² cross-section range. Screwdriver is not necessary to mount the terminal block on the rail. Mounting is more time-saving and practical. Yellow-Green color of the insulation body provides easy identification out of other Terminals. Side-by-side mounting on DIN-Rail with feed-through terminals for same cross-sections is possible with good visual effect. Special Marking solutions for each cross section can be provided by Plotter labeling and with marking strip printed on Thermal printer, using Klemark Software.

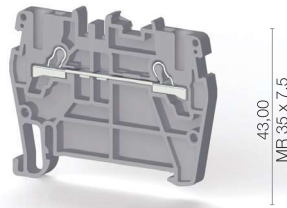


PYKMR Series Practical spring clamp mini Terminals, can be mounted on MR 35 rail, provide both feed-through and Earth terminals. These terminals can be connected to each other when mounted on the din rail and have safe connection. Practical Spring Clamp mini Terminals enable fast solutions on narrow spaces. Marking solutions are available with Thermal Printer labeling and Plotter labeling.

Practical Spring Clamp Terminals

PYK 1,5

Width: 4,2 mm



43,00
MR 35 x 7,5

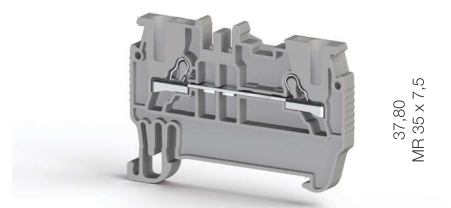
53,30

Cat No:

307 009
307 000

PYK 1,5 M

Width: 4,2 mm



37,80
MR 35 x 7,5

52,00

Cat No:

307 019
307 010



Electrical Ratings
CE (EN 60947-7-1)
UL
VDE (IEC 60947-7-1)
CSA
ATEX

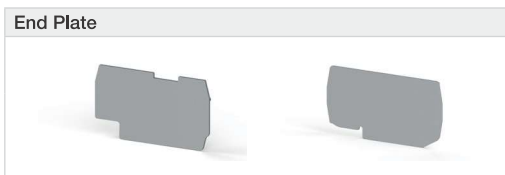
Voltage, V ~	Current, A	Cross-Section
800	17,5	1,5 mm ²
600	15	22-14 mm ²
630	15	0,5-2,5 mm ²

Voltage, V ~	Current, A	Cross-Section
800	17,5	1,5 mm ²
500	15	0,5-2,5 mm ²

Connection Data	
Conductor cross section solid (min.-max.)	0,34-2,5 mm ²
Conductor cross section stranded (min.-max.)	0,34-1,5 mm ²
2 conductors with same cross section, stranded, TWIN ferrules with plastic sleeve	0,5 mm ²
AWG Conductor	AWG 22-14
Insulation Stripping Length (min.-max.)	9-10 mm
Screwdriver	KT 1 (0,4x2,5)

Type	Cat.No.	Qty.
NPP/PYK 1,5	446 449	100

Type	Cat.No.	Qty.
NPP/PYK 1,5 M	446 639	100



Type	Cat.No.	Qty.
APP PYK 1,5 M	463 180	25

Type	Cat.No.	Qty.
APP PYK 1,5 M	463 180	25



Type	Cat.No.	Qty.
UK 1,5/2	476 602	25
UK 1,5/3	476 603	20
UK 1,5/4	476 604	15
UK 1,5/10	476 609	5

Type	Cat.No.	Qty.
UK 1,5/2	476 602	25
UK 1,5/3	476 603	20
UK 1,5/4	476 604	15
UK 1,5/10	476 609	5



Technical Data	
Rated Impulse Voltage / Pollution severity	8/3
Insulation material group / Gauge pin code according to IEC 60947-1	1/A1-B1
Protection class / Protection conductor type	IP 20 / -

Technical Data	
Rated Impulse Voltage / Pollution severity	8/3
Insulation material group / Gauge pin code according to IEC 60947-1	1/A1-B1
Protection class / Protection conductor type	IP 20 / -

Marking Tags (Dekafix)
See pages 326-333 for a list of Dekafix

SLF-P1 W, DB 10/4, SLF-P2 W, D-NS 4,2x6

SLF-P1 W, DB 10/4, SLF-P2 W, D-NS 4,2x6

Package Quantity
80 pcs.

80 pcs.

Package Quantity
100 pcs.

100 pcs.

Color							
Color code is the last digit of the order number							
Blue	Green	Yellow	Red	Black	White	Orange	Brown
1	2	3	4	5	6	7	8

PYK 2,5

Width: 5 mm



43,00
MR 35 x 7,5

53,40

Cat No:

- 307 109
- 307 100

Voltage, V ~	Current, A	Cross-Section
800	24	2,5 mm ²
600	20	AWG 22-12
800	24	2,5 mm ²
800	21	0,5-2,5 mm ²

0,34-4 mm ²
0,34-2,5 mm ²
0,5 mm ²
AWG 22-12
9-10 mm
KT 1 (0,4x2,5)

Type	Cat.No.	Qty.
NPP PYK 2,5	446 449	100

Type	Cat.No.	Qty.
APP/PYK 1,5-2,5-4	463 180	25

Type	Cat.No.	Qty.
UK 2,5/2	476 222	25
UK 2,5/3	476 223	20
UK 2,5/4	476 224	15
UK 2,5/10	476 229	5
UK 2,5/16	474 260	10
UK 2,5/20	474 200	10

8/3
1/A3
IP 20 / -
D-NS 5x10, SLF-P2 W, DB 10/5, DG 10/5, SLF-P1 W

100 pcs.

PYK 4

Width: 6 mm



44,00
MR 35 x 7,5

55,90

Cat No:

- 307 119
- 307 110

Voltage, V ~	Current, A	Cross-Section
800	32	4 mm ²
600	30	AWG 22-10
800	32	4 mm ²
800	28	0,5-4 mm ²

0,34-6 mm ²
0,25-4 mm ²
1,0 mm ²
AWG 22-10
9-10 mm
KT 2 (0,5x3,0)

Type	Cat.No.	Qty.
NPP/PYK 4	446 459	100

Type	Cat.No.	Qty.
APP PYK 4	463 180	25

Type	Cat.No.	Qty.
UK 4/2	476 232	25
UK 4/3	476 233	20
UK 4/4	476 234	15
UK 4/10	476 239	5

8/3
1/A4
IP 20 / -
D-NS 6x10, SLF-P2 W, DB 10/6, DG 10/6, DG 10/6T, SLF-P1 W

100 pcs.

PYK 6

Width: 8 mm



46,20
MR 35 x 7,5

65,60

Cat No:

- 307 129
- 307 120

Voltage, V ~	Current, A	Cross-Section
800	41	6 mm ²
600	35	AWG 20-8
800	36	0,5-6 mm ²

0,5-10 mm ²
0,5-6 mm ²
1,5 mm ²
AWG 20-8
11-13 mm
KT 3 (0,6x3,5)

Type	Cat.No.	Qty.
NPP/PYK 6	446 469	50

Type	Cat.No.	Qty.
APP PYK 6	463 190	25

Type	Cat.No.	Qty.
UK 6/2	476 242	25
UK 6/3	476 243	20
UK 6/4	476 244	15
UK 6/10	476 249	5

8/3
1/A5
IP 20 / -
D-NS 8x10, SLF-P2 W, DG 10/8, SLF-P1 W

60 pcs.

Practical Spring Clamp Terminals

PYK 10

Width: 10 mm



52,00
MR 35 x 7,5

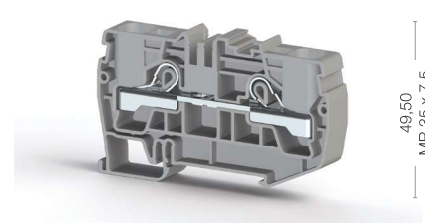
75,40

Cat No:

- 307 139
- 307 130

PYK 16

Width: 12 mm



49,50
MR 35 x 7,5

81,45

Cat No:

- 307 659
- 307 650



Electrical Ratings
CE (EN 60947-7-1)
UL
VDE (IEC 60947-7-1)
CSA
ATEX

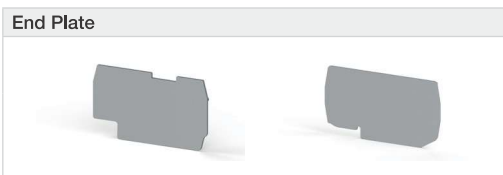
Voltage, V ~	Current, A	Cross-Section
800	57	10 mm ²
600	55	AWG 20-6
800	50	0,5-10 mm ²

Voltage, V ~	Current, A	Cross-Section
1000	76	16 mm ²
600	80	AWG 20-4

Connection Data
Conductor cross section solid (min.-max.)
Conductor cross section stranded (min.-max.)
2 conductors with same cross section, stranded, TWIN ferrules with plastic sleeve
AWG Conductor
Insulation Stripping Length (min.-max.)
Screwdriver

Conductor cross section solid (min.-max.)	Conductor cross section stranded (min.-max.)	2 conductors with same cross section, stranded, TWIN ferrules with plastic sleeve	AWG Conductor	Insulation Stripping Length (min.-max.)	Screwdriver
0,5-16 mm ²	0,5-10 mm ²	4 mm ²	AWG 20-6	13-15 mm	KT 4 (0,8x4,0)

Conductor cross section solid (min.-max.)	Conductor cross section stranded (min.-max.)	2 conductors with same cross section, stranded, TWIN ferrules with plastic sleeve	AWG Conductor	Insulation Stripping Length (min.-max.)	Screwdriver
0,5-25 mm ²	0,5-16 mm ²	4 mm ²	AWG 20-4	16-18 mm	KT 4 (0,8x4,0)



Type	Cat.No.	Qty.
NPP/PYK 10	446 479	50

Type	Cat.No.	Qty.
NPP/PYK 16	450 419	25



Type	Cat.No.	Qty.
APP PYK 10	463 200	25

Type	Cat.No.	Qty.
------	---------	------



Type	Cat.No.	Qty.
UK 10/2	476 252	25
UK 10/3	476 253	20
UK 10/4	476 254	15
UK 10/10	476 259	5

Type	Cat.No.	Qty.
UK 16/2	470 142	25
UK 16/3	470 143	20
UK 16/4	470 144	15
UK 16/5	470 145	10

Technical Data
Rated Impulse Voltage / Pollution severity
Insulation material group / Gauge pin code according to IEC 60947-1
Protection class / Protection conductor type
Marking Tags (Dekafix)
See pages 326-333 for a list of Dekafix

8/3
1/B6
IP 20 / -
D-NS 10x10, SLF-P2 W, DG 10/10, SLF-P1 W

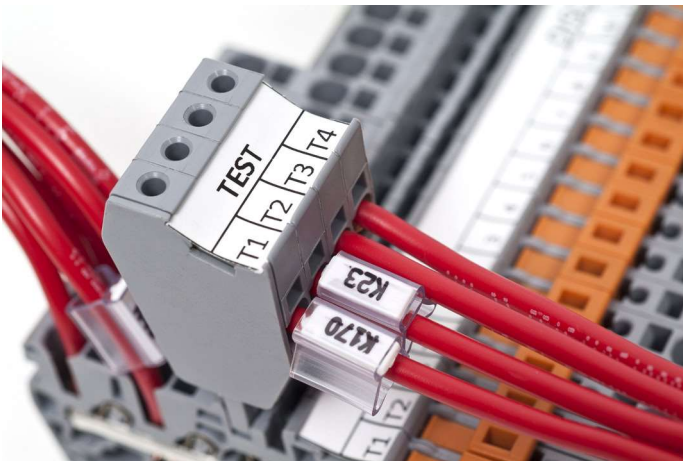
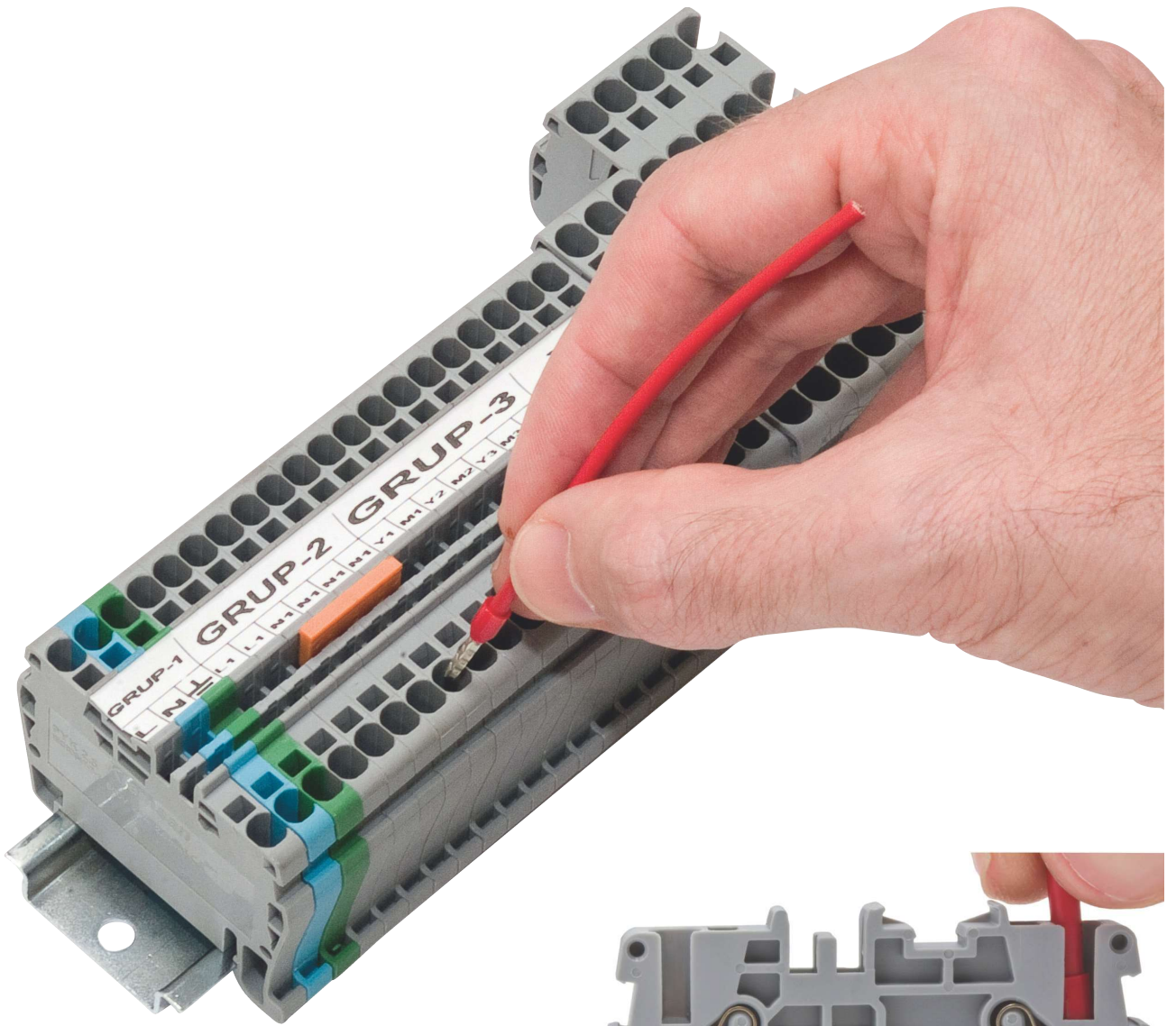
8/3
1/B7
IP 20 / -
D-NS 12x10, DG 10/10, SLF-P1 W, SLF-P2 W

Package Quantity
50 pcs.

50 pcs.

Package Quantity
30 pcs.

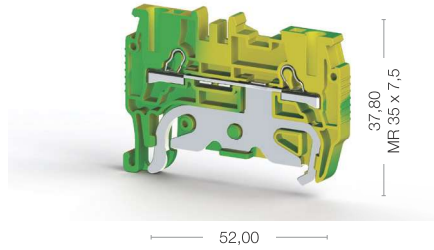
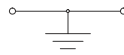
Color							
Color code is the last digit of the order number							
Blue	Green	Yellow	Red	Black	White	Orange	Brown
1	2	3	4	5	6	7	8



Practical Spring Clamp Earth Terminals

PYK 1,5 MT

Width: 4,2 mm

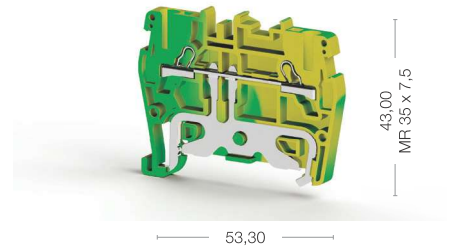
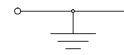


Cat No:

336 440

PYK 1,5 T

Width: 4,2 mm



Cat No:

336 490



Electrical Ratings
CE (EN 60947-7-2)
UL
VDE (IEC 60947-7-2)
CSA
ATEX

Connection Data	
Conductor cross section solid (min.-max.)	0,34-2,5 mm ²
Conductor cross section stranded (min.-max.)	0,34-1,5 mm ²
2 conductors with same cross section, stranded, TWIN ferrules with plastic sleeve	0,5 mm ²
AWG Conductor	AWG 22-14
Insulation Stripping Length (min.-max.)	9-10 mm
Screwdriver	KT 1 (0,4x2,5)

End Plate


Technical Data	
Rated Impulse Voltage / Pollution severity	8/3
Insulation material group / Gauge pin code according to IEC 60947-1	1/A1-B1
Protection class / Protection conductor type	IP 20 / PE
Marking Tags (Dekafix)	
See pages 326-333 for a list of Dekafix	D-NS 4,2x6, DB 6/4, SLF-P1 W, SLF-P2 W

Package Quantity
100 pcs.

Voltage, V ~	Current, A	Cross-Section
		1,5 mm ²
		0,5-2,5 mm ²

Type	Cat.No.	Qty.
NPP/PYK 1,5 MT	446 632 T	100

Type	Cat.No.	Qty.
NPP/PYK 1,5 T	446 442 T	10

Technical Data	
Rated Impulse Voltage / Pollution severity	8/3
Insulation material group / Gauge pin code according to IEC 60947-1	1/A1-B1
Protection class / Protection conductor type	IP 20 / PE
Marking Tags (Dekafix)	
See pages 326-333 for a list of Dekafix	D-NS 4,2x6, DB 6/4, SLF-P1 W, SLF-P2 W

Package Quantity
100 pcs.

Voltage, V ~	Current, A	Cross-Section
		1,5 mm ²
		0,5-2,5 mm ²

Type	Cat.No.	Qty.
NPP/PYK 1,5 T	446 442 T	10

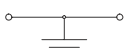
Type	Cat.No.	Qty.
NPP/PYK 1,5 T	446 442 T	10

Technical Data	
Rated Impulse Voltage / Pollution severity	8/3
Insulation material group / Gauge pin code according to IEC 60947-1	1/A1-B1
Protection class / Protection conductor type	IP 20 / PE
Marking Tags (Dekafix)	
See pages 326-333 for a list of Dekafix	D-NS 4,2x6, DB 6/4, SLF-P1 W, SLF-P2 W

Package Quantity
100 pcs.

PYK 2,5 T

Width: 5 mm



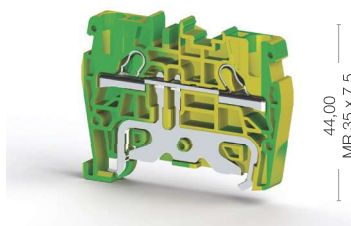
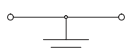
53,40

Cat No:

336 500

PYK 4 T

Width: 6 mm



55,90

Cat No:

336 510

Voltage, V ~	Current, A	Cross-Section
		2,5 mm ²
		AWG 22-12
		2,5 mm ²
		0,5-2,5 mm ²

0,34-4 mm ²
0,34-2,5 mm ²
0,5 mm ²
AWG 22-12
9-10 mm
KT 1 (0,4x2,5)

Type	Cat.No.	Qty.
NPP/PYK 2,5 T	446 442 T	10

8/3
1/A3
IP 20 / PE
D-NS 5x10, SLF-P2 W , DB 10/5, DG 10/5, DG 10/5T, SLF-P1 W

50 pcs.

Voltage, V ~	Current, A	Cross-Section
		4 mm ²
		AWG 22-10
		4 mm ²
		0,5-2,5 mm ²

0,34-6 mm ²
0,25-4 mm ²
1 mm ²
AWG 22-10
9-10 mm
KT 2 (0,5x3,0)

Type	Cat.No.	Qty.
NPP/PYK 4 T	446 452 T	10

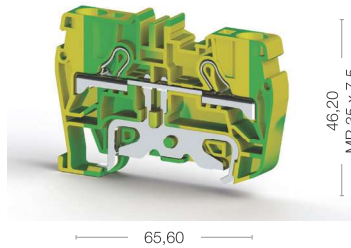
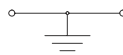
8/3
1/A4
IP 20 / PE
D-NS 6x10, SLF-P2 W , DB 10/5, DG 10/5, DG 10/5T, SLF-P1 W

50 pcs.

Practical Spring Clamp Earth Terminals

PYK 6 T

Width: 8 mm

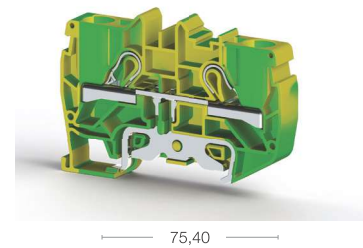
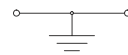


Cat No:

336 520

PYK 10 T

Width: 10 mm



Cat No:

336 530



Electrical Ratings
CE (EN 60947-7-2)
UL
VDE (IEC 60947-7-2)
CSA
ATEX

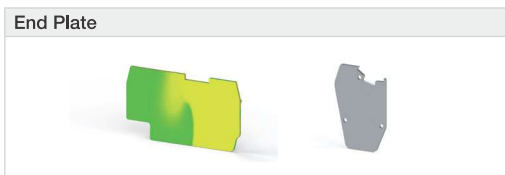
Voltage, V ~	Current, A	Cross-Section
600		6 mm ² AWG 20-8
		0,5-6 mm ²

Voltage, V ~	Current, A	Cross-Section
600		10 mm ² AWG 20-6
		0,5-10 mm ²

Connection Data
Conductor cross section solid (min.-max.)
Conductor cross section stranded (min.-max.)
2 conductors with same cross section, stranded, TWIN ferrules with plastic sleeve
AWG Conductor
Insulation Stripping Length (min.-max.)
Screwdriver

0,5-10 mm ²
0,5-6 mm ²
1,5 mm ²
AWG 20-8
11-13 mm
KT 3 (0,6x3,5)

0,5-16 mm ²
0,5-10 mm ²
4 mm ²
AWG 20-6
13-15 mm
KT 4 (0,8x4,0)



Type	Cat.No.	Qty.
NPP/PYK 6 T	446 462 T	10

Type	Cat.No.	Qty.
NPP/PYK 10 T	446 472 T	10

Technical Data
Rated Impulse Voltage / Pollution severity
Insulation material group / Gauge pin code according to IEC 60947-1
Protection class / Protection conductor type
Marking Tags (Dekafix)
See pages 326-333 for a list of Dekafix

8/3
1/A5
IP 20 / PE
D-NS 8x10, SLF-P2 W, DG 10/8, SLF-P1 W

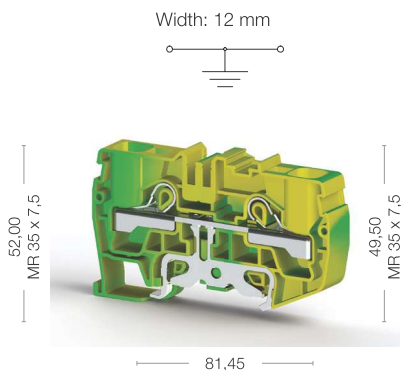
8/3
1/B6
IP 20 / PE
D-NS 10x10, SLF-P2 W, DG 10/10, SLF-P1 W

Package Quantity

60 pcs.

25 pcs.

PYK 16 T



Cat No:

336 640

Voltage, V ~	Current, A	Cross-Section
		16 mm ²
		AWG 20-4

0,5-25 mm ²
0,5-16 mm ²
4 mm ²
AWG 20-4
16-18 mm
KT 4 (0,8x4,0)

Type	Cat.No.	Qty.
NPP/PYK 16 T	450 412 T	25

8/3
1/B7
IP 20 / PE
D-NS 12x10, DG 10/10, SLF-P1 W, SLF-P2 W

30 pcs.

PYK Test



Cat No:

498 559
498 550

Voltage, V ~	Current, A	Cross-Section
250	17,5	1,5 mm ²
300	15	AWG 22-14

0,34-2,5 mm ²
0,34-1,5 mm ²
0,5 mm ²
AWG 22-14
9-10 mm
KT 1 (0,4x2,5)

Type	Cat.No.	Qty.
PYK TEST A	498 659	25

8/3
1/A1-B1
IP 20 / -

25 pcs.

Used for Terminals

307 109	PYK 2,5
307 119	PYK 4
307 229	PYK 4 E
307 169	PYK 2,5 A
307 219	PYK 2,5 CCA
307 389	PYK 2,5 C
307439	PYK 2,5 E
304 200	AVK 2,5 RD
304 210	AVK 4 RD

PYK test terminals, which minimize the time needed for test and control connections, can be marked with Standard marking tags and thermal printer labels. PYK test terminals, being as a group together, Terminals can be used with PYK 2,5 terminals. When PYK Test A plates are added to Test terminals, the Terminals can be used with PYK 4 terminals.

PYKMR Series Mini Terminals

PYKMR 2,5

Width: 5 mm



Cat No:

- 307 499
- 307 490

PYKM 2,5

Width: 5 mm




Cat No:

- 307 399
- 307 390



Electrical Ratings
CE (EN 60947-7-1 / EN 60947-7-2)
UL
VDE (IEC 60947-7-1)
CSA
ATEX

Connection Data
Conductor cross section solid (min.-max.)
Conductor cross section stranded (min.-max.)
2 conductors with same cross section, stranded, TWIN ferrules with plastic sleeve
AWG Conductor
Insulation Stripping Length (min.-max.)
Screwdriver

End Plate
 Grey
Grey
Yellow- Green
Yellow- Green

Technical Data
Rated Impulse Voltage / Pollution severity
Insulation material group / Gauge pin code according to IEC 60947-1
Protection class / Protection conductor type
Marking Tags (Dekafix)
See pages 326-333 for a list of Dekafix

Package Quantity
50 pcs.

Voltage, V ~	Current, A	Cross-Section
800	24	2,5 mm ²
630	21	0,5-4 mm ²

0,34-4 mm ²
0,34-2,5 mm ²
0,5 mm ²
AWG 22-12
9-10 mm
KT 1 (0,4x2,5)

Type	Cat.No.	Qty.
NPP1 PYKMR 2,5	446 589	100
NPP2 PYKMR 2,5	446 599	100

8/3
1/A3
IP 20 / -
D-NS 5x6, DB 5, DB 10/5, DG 6/5, DG 10/5T, SLF-P1 W, SLF-P2 W

50 pcs.

Voltage, V ~	Current, A	Cross-Section
800	24	2,5 mm ²
600	20	AWG 22-12
690	21	0,5-4 mm ²

0,34-4 mm ²
0,34-2,5 mm ²
0,5 mm ²
AWG 22-12
9-10 mm
KT 1 (0,4x2,5)

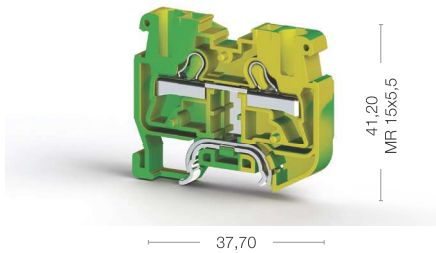
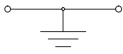
Type	Cat.No.	Qty.
NPP1 PYKM 2,5	446 589	100
NPP2 PYKM 2,5	446 599	100

8/3
1/A3
IP 20 / -
D-NS 5x6, DB 5, DB 10/5, DG 6/5, DG 10/5T, SLF-P1 W, SLF-P2 W


50 pcs.

PYKM 2,5 T

Width: 5 mm



Cat No:

 336 430

Voltage, V ~	Current, A	Cross-Section
		2,5 mm ²
		AWG 22-12
		0,5-4 mm ²

0,34-4 mm ²
0,34-2,5 mm ²
0,5 mm ²
AWG 22-12
9-10 mm
KT 1 (0,4x2,5)

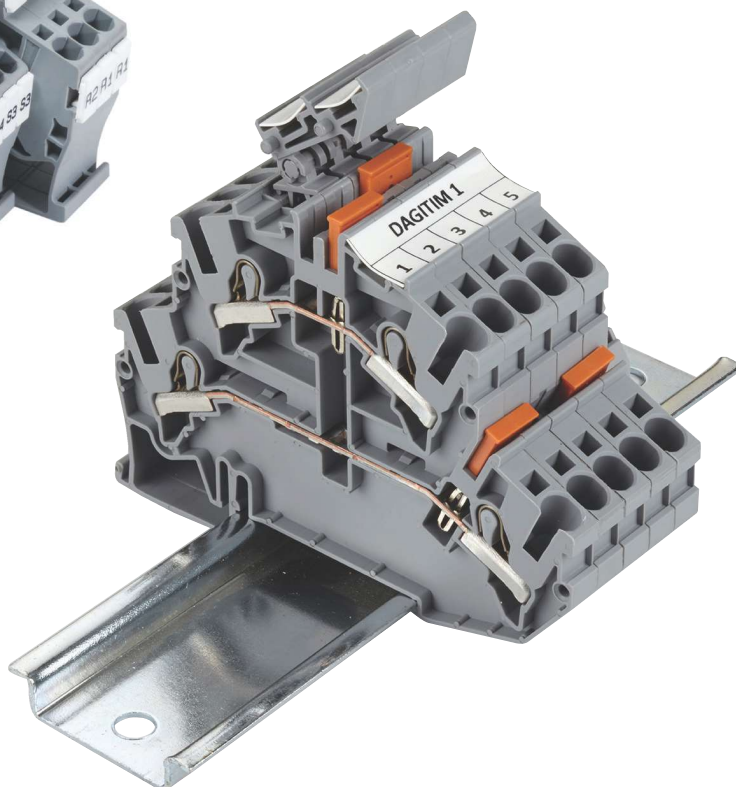
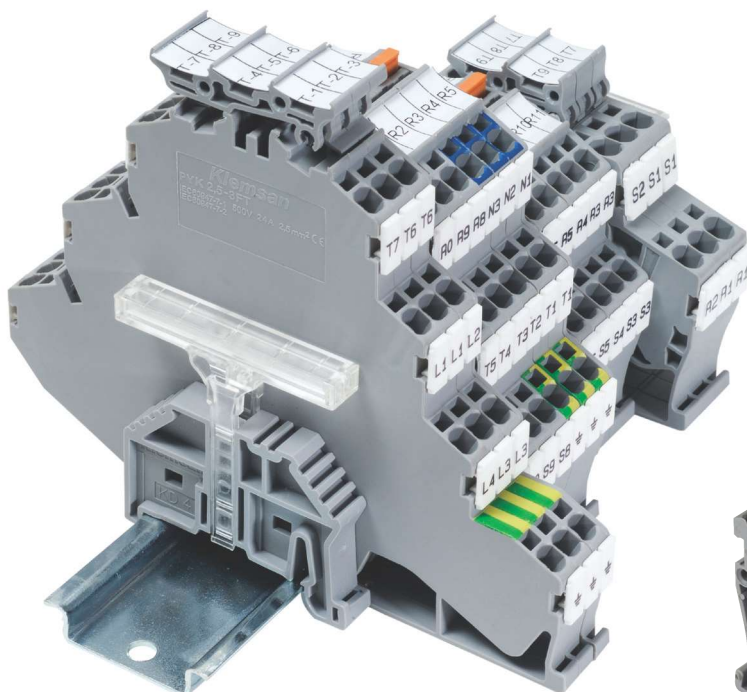
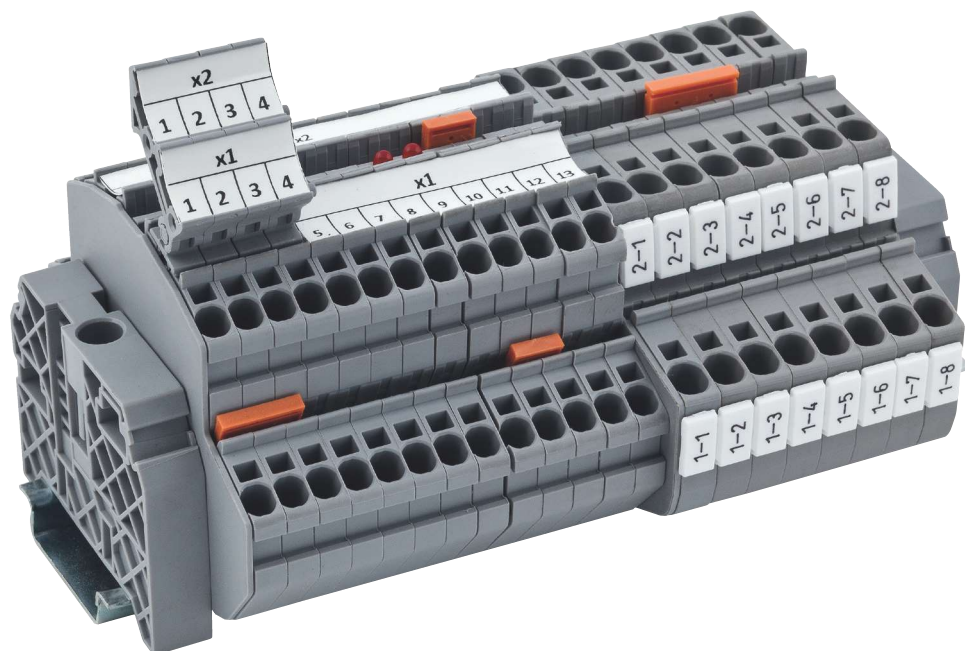
Type	Cat.No.	Qty.
NPP1 PYKM 2,5T	446 582 T	25
NPP2 PYKM 2,5T	446 592 T	25

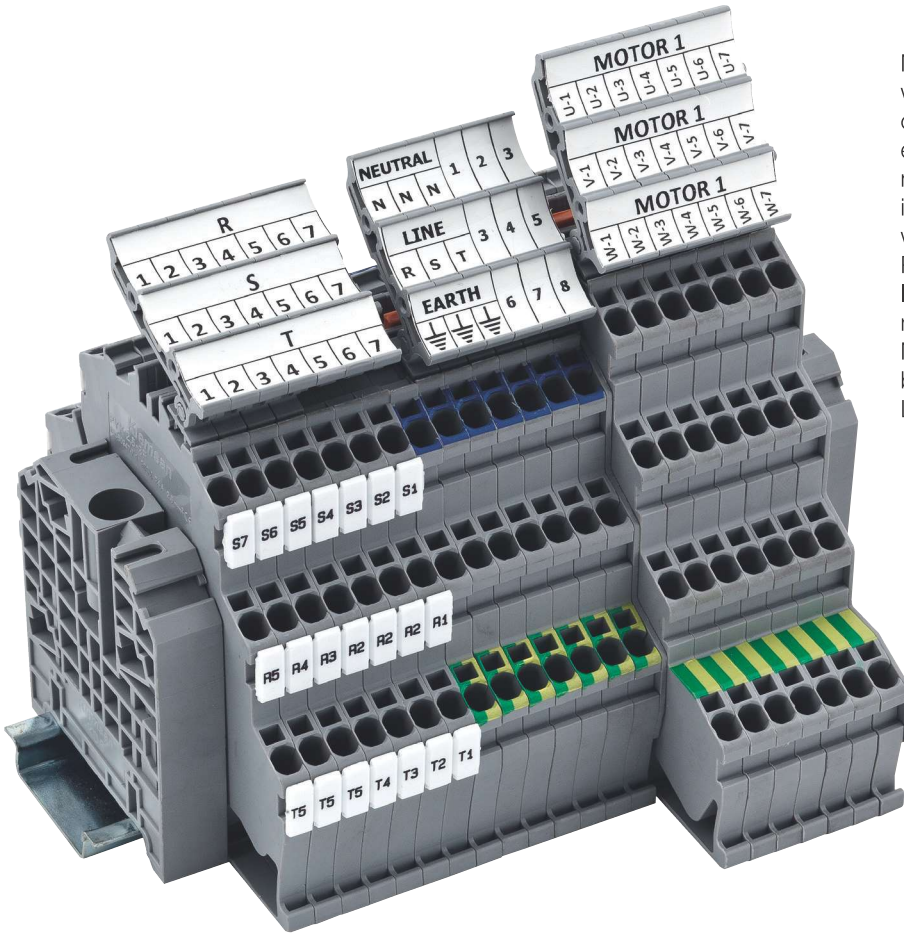
8/3
1/A3
IP 20 / PE
D-NS 5x6, DB 5, DB 10/5, DG 6/5, DG 10/5T, SLF-P1 W, SLF-P2 W

50 pcs.

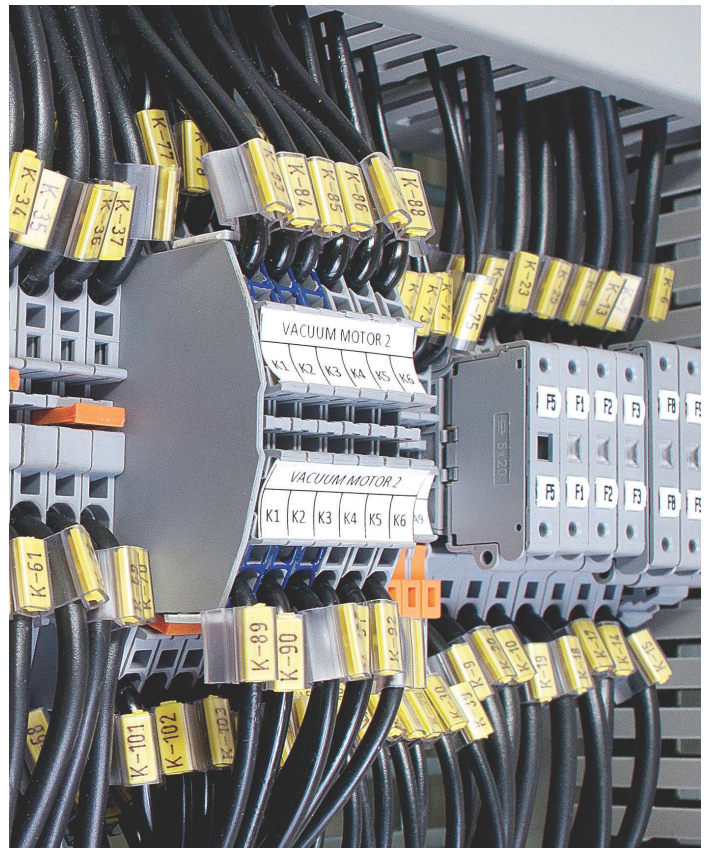
PYK Series Multilevel Rail Terminals

Double Deck Practical Spring Terminals are available in 2,5 - 4 mm cross section range. Double wiring density available without extension of mounting rails. Interconnection / shorting can be done at both layers. Group marking carrier is used to provide more visual marking in base layer. Special Marking solutions for each cross section can be provided by Thermal Printing and Plotter Labeling.



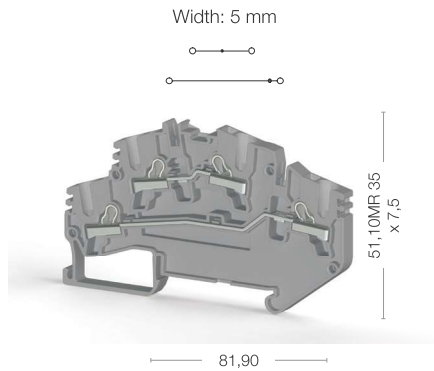


Multilevel Practical Spring Terminals make wiring more practical, reduce the installation costs and speed the wiring. Panels which exist switch lines & lightening, provide phase-neutral-Earth connection in one terminal. Are ideal for usage in industries where motors are working a lot, because of more practical wiring. Provide individual cross connections for each layer. Group marking carrier is used to provide more visual marking in base layer. Special Marking solutions for each cross section can be provided by Thermal Printing and Plotter Labeling.

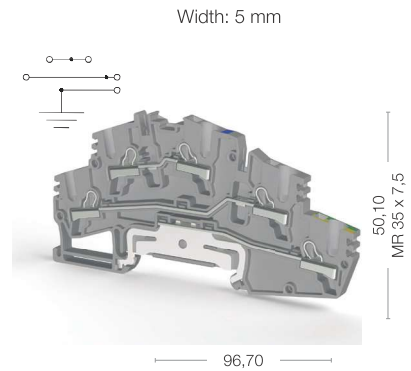


Double - Deck Practical Spring Clamp Line Type Terminals

PYK 2,5 - M2F



PYK 2,5 - M2FT



Cat No:

- 307 699
- 307 690

Cat No:

- 307 709
- 307 700



Electrical Ratings
CE (EN 60947-7-1)
UL
VDE (IEC 60947-7-1)
CSA
ATEX

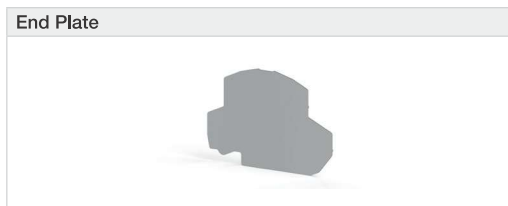
Voltage, V ~	Current, A	Cross-Section
250	24	2,5 mm ²

Voltage, V ~	Current, A	Cross-Section
250	24	2,5 mm ²

Connection Data
Conductor cross section solid (min.-max.)
Conductor cross section stranded (min.-max.)
2 conductors with same cross section, stranded, TWIN ferrules with plastic sleeve
AWG Conductor
Insulation Stripping Length (min.-max.)
Screwdriver

0,34-4 mm ²
0,34-2,5 mm ²
0,5 mm ²
AWG 22-12
9-10 mm
KT 1 (0,4x2,5)

0,34-4 mm ²
0,34-2,5 mm ²
0,5 mm ²
AWG 22-12
9-10 mm
KT 1 (0,4x2,5)



Type	Cat.No.	Qty.
NPP PYK 2,5-M2F	450 439	10

Type	Cat.No.	Qty.
NPP PYK 2,5-M2FT	450 429	30



Type	Cat.No.	Qty.
UK 2,5/2	476 222	25
UK 2,5/3	476 223	20
UK 2,5/4	476 224	15
UK 2,5/10	476 229	5
UK 2,5/16	474 260	10
UK 2,5/20	474 200	10

Type	Cat.No.	Qty.
UK 2,5/2	476 222	25
UK 2,5/3	476 223	20
UK 2,5/4	476 224	15
UK 2,5/10	476 229	5
UK 2,5/16	474 260	10
UK 2,5/20	474 200	10

Technical Data
Rated Impulse Voltage / Pollution severity
Insulation material group / Gauge pin code according to IEC 60947-1
Protection class / Protection conductor type
Marking Tags (Dekafix)
See pages 326-333 for a list of Dekafix

6/3
1/A3
IP 20 / -
D-NS 5x10, DB 10/5, DG 10/5, DG 10/5T, SLF-P1 W

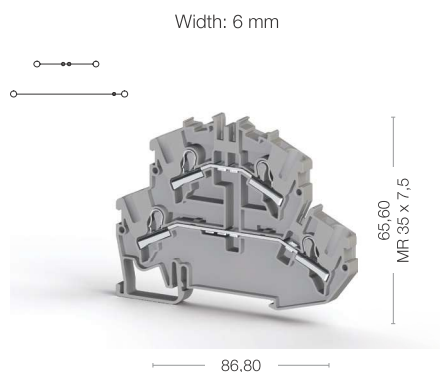
6/3
1/A3
IP 20 / -
D-NS 5x10, DB 10/5, DG 10/5, DG 10/5T, SLF-P1 W

Package Quantity

30 pcs.

30 pcs.

PYK 4 - 2 FN



Cat No:

- 307 579
- 307 570

Voltage, V ~	Current, A	Cross-Section
500	32	4 mm ²

0,34-6 mm ²
0,25-4 mm ²
1 mm ²
AWG 22-10
9-10 mm
KT 2 (0,5x3,0)

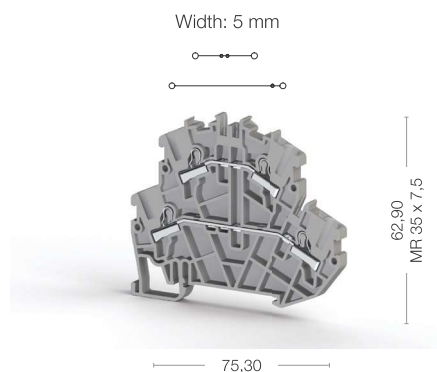
Type	Cat.No.	Qty.
NPP PYK 4-2 FN	446 669	25

Type	Cat.No.	Qty.
UK 4/2	476 232	25
UK 4/3	476 233	20
UK 4/4	476 234	15
UK 4/10	476 239	5

6/3
1/A4
IP 20 / -
D-NS 6x10, DB 10/6, DG 10/6, DG 10/6T, SLF-P1 W

25 pcs.

PYK 2,5 - 2 F



Cat No:

- 307 179
- 307 170

Voltage, V ~	Current, A	Cross-Section
500	24	2,5 mm ²
300	20	AWG 22-12
400	18	0,5-2,5 mm ²

0,34-4 mm ²
0,34-2,5 mm ²
0,5 mm ²
AWG 22-12
9-10 mm
KT 1 (0,4x2,5)

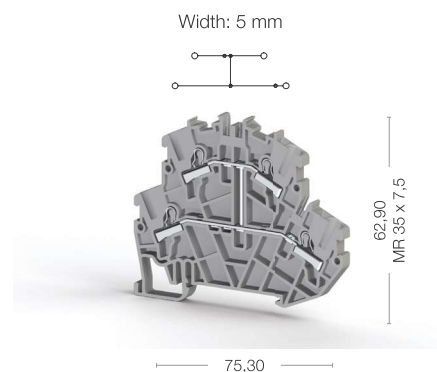
Type	Cat.No.	Qty.
NPP PYK 2,5-2 F	446 519	10

Type	Cat.No.	Qty.
UK 2,5/2	476 222	25
UK 2,5/3	476 223	20
UK 2,5/4	476 224	15
UK 2,5/10	476 229	5
UK 2,5/16	474 260	10
UK 2,5/20	474 200	10

6/3
1/A3
IP 20 / -
D-NS 5x10, DB 10/5, DG 10/5, DG, 10/5T, SLF-P1 W

40 pcs.

PYK 2,5 - 2 FK



Cat No:

- 307 239
- 307 230

Voltage, V ~	Current, A	Cross-Section
500	24	2,5 mm ²
300	20	AWG 20-12

0,34-4 mm ²
0,34-2,5 mm ²
0,5 mm ²
AWG 22-12
9-10 mm
KT 1 (0,4x2,5)

Type	Cat.No.	Qty.
NPP PYK 2,5-2 FK	446 519	10

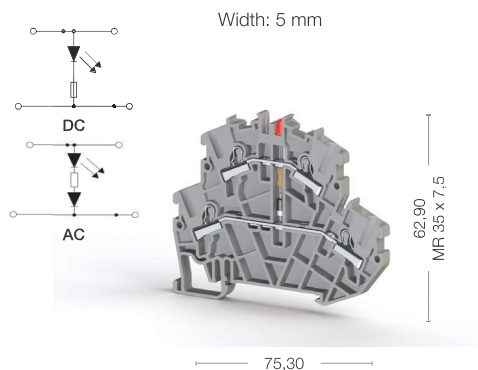
Type	Cat.No.	Qty.
UK 2,5/2	476 222	25
UK 2,5/3	476 223	20
UK 2,5/4	476 224	15
UK 2,5/10	476 229	5
UK 2,5/16	474 260	10
UK 2,5/20	474 200	10

6/3
1/A3
IP 20 / -
D-NS 5x10, DB 10/5, DG 10/5, DG 10/5T, SLF-P1 W

40 pcs.

Double - Deck Practical Spring Clamp Terminals

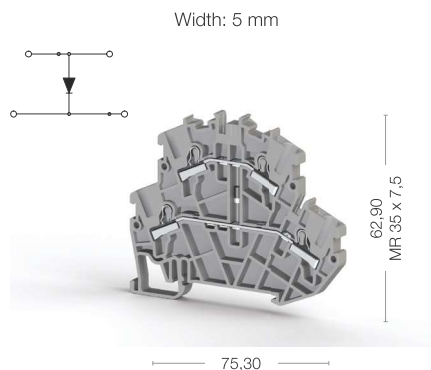
PYK 2,5 - 2 FLD



Cat No:

- 307 349
- 307 340

PYK 2,5 - 2 FD A



Cat No:

- 307 369
- 307 360



Electrical Ratings
CE (EN 60947-7-1)
UL
VDE (IEC 60947-7-1)
CSA
ATEX

Voltage, V ~	Current, A	Cross-Section
	24	2,5 mm ²

Voltage, V ~	Current, A	Cross-Section
500	1	2,5 mm ²

Connection Data
Conductor cross section solid (min.-max.)
Conductor cross section stranded (min.-max.)
2 conductors with same cross section, stranded, TWIN ferrules with plastic sleeve
AWG Conductor
Insulation Stripping Length (min.-max.)
Screwdriver

0,34-4 mm ²
0,34-2,5 mm ²
0,5 mm ²
AWG 22-12
9-10 mm
KT 1 (0,4x2,5)

0,34-4 mm ²
0,34-2,5 mm ²
0,5 mm ²
AWG 22-12
9-10 mm
KT 1 (0,4x2,5)

Ordering Data

Type	Cat.No.	Qty.
24V DC	307 349	40
220V AC	307 359	40

Type	Cat.No.	Qty.

Technical Data For Diode
Diode Voltage
Diode Current
Diod

1000 V
1 A
1 N 4007

End Plate

Type	Cat.No.	Qty.
NPP PYK 2,5-2 FLD	446 519	10

Type	Cat.No.	Qty.
NPP PYK 2,5-2 F	446 519	10

Cross Connection

Type	Cat.No.	Qty.
UK 2,5/2	476 222	25
UK 2,5/3	476 223	20
UK 2,5/4	476 224	15
UK 2,5/10	476 229	5
UK 2,5/16	474 260	10
UK 2,5/20	474 200	10

Type	Cat.No.	Qty.
UK 2,5/2	476 222	25
UK 2,5/3	476 223	20
UK 2,5/4	476 224	15
UK 2,5/10	476 229	5
UK 2,5/16	474 260	10
UK 2,5/20	474 200	10

Technical Data
Rated Impulse Voltage / Pollution severity
Insulation material group / Gauge pin code according to IEC 60947-1
Protection class / Protection conductor type
Marking Tags (Dekafix)
See pages 326-333 for a list of Dekafix

6/3
1/A3
IP 20 / -
D-NS 5x10, DB 10/5, DG 10/5, DG 10/5T, SLF-P1 W

6/3
1/A3
IP 20 / -
D-NS 5x10, DB 10/5, DG 10/5, DG 10/5T, SLF-P1 W

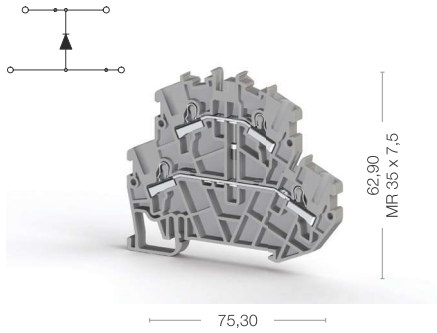
Package Quantity

40 pcs.

40 pcs.

PYK 2,5 - 2 FD B

Width: 5 mm



Cat No:

- 307 379
- 307 370

Voltage, V ~	Current, A	Cross-Section
500	1	2,5 mm ²

0,34-4 mm ²
0,34-2,5 mm ²
0,5 mm ²
AWG 22-12
9-10 mm
KT 1 (0,4x2,5)

1000 V
1 A
1 N 4007

Type	Cat.No.	Qty.
NPP PYK 2,5-2 F	446 519	10

Type	Cat.No.	Qty.
UK 2,5/2	476 222	25
UK 2,5/3	476 223	20
UK 2,5/4	476 224	15
UK 2,5/10	476 229	5
UK 2,5/16	474 260	10
UK 2,5/20	474 200	10

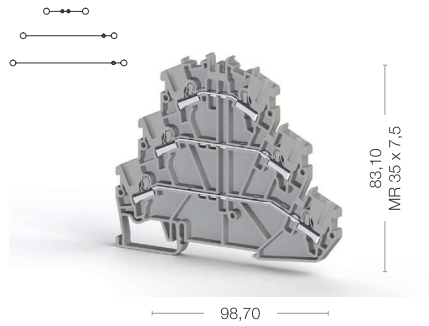
6/3
1/A3
IP 20 / -
D-NS 5x10, DB 10/5, DG 10/5, DG 10/5T, SLF-P1 W

40 pcs.

Multilevel Practical Spring Clamp Terminals

PYK 2,5 - 3 F

Width: 5 mm

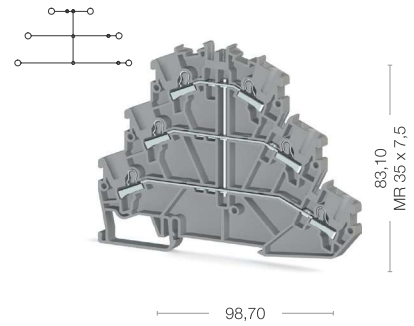


Cat No:

307 199
307 190

PYK 2,5 - 3 FK

Width: 5 mm



Cat No:

307 559
307 550



Electrical Ratings
CE (EN 60947-7-1 / EN 60947-7-2)
UL
VDE (IEC 60947-7-1)
CSA
ATEX

Voltage, V ~	Current, A	Cross-Section
500	24	2,5 mm ²
300	20	AWG 22-12
500	18	0,5-2,5 mm ²

Voltage, V ~	Current, A	Cross-Section
500	24	2,5 mm ²

Connection Data
Conductor cross section solid (min.-max.)
Conductor cross section stranded (min.-max.)
2 conductors with same cross section, stranded, TWIN ferrules with plastic sleeve
AWG Conductor
Insulation Stripping Length (min.-max.)
Screwdriver

0,34-4 mm ²
0,34-2,5 mm ²
0,5 mm ²
AWG 22-12
9-10 mm
KT 1 (0,4x2,5)

0,34-4 mm ²
0,34-2,5 mm ²
0,5 mm ²
AWG 22-12
9-10 mm
KT 1 (0,4x2,5)



Type	Cat.No.	Qty.
NPP PYK 2,5-3 F	446 529	10

Type	Cat.No.	Qty.
NPP PYK 2,5-3 FK	446 529	10



Type	Cat.No.	Qty.
UK 2,5/2	476 222	25
UK 2,5/3	476 223	20
UK 2,5/4	476 224	15
UK 2,5/10	476 229	5
UK 2,5/16	474 260	10
UK 2,5/20	474 200	10

Type	Cat.No.	Qty.
UK 2,5/2	476 222	25
UK 2,5/3	476 223	20
UK 2,5/4	476 224	15
UK 2,5/10	476 229	5
UK 2,5/16	474 260	10
UK 2,5/20	474 200	10

Technical Data
Rated Impulse Voltage / Pollution severity
Insulation material group / Gauge pin code according to IEC 60947-1
Protection class / Protection conductor type
Marking Tags (Dekafix)
See pages 326-333 for a list of Dekafix

6/3
1/A3
IP 20 / -
D-NS 5x10, SLF-P2 W, DB 10/5, DG 10/5, DG 10/5T, SLF-P1 W

6/3
1/A3
IP 20 / -
D-NS 5x10, SLF-P2 W, DB 10/5, DG 10/5, DG 10/5T, SLF-P1 W

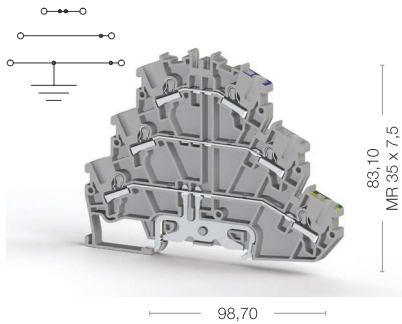
Package Quantity

30 pcs.

30 pcs.

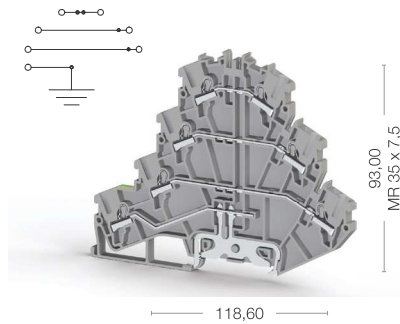
PYK 2,5 - 2 FT

Width: 5 mm



PYK 2,5 - 3 FT

Width: 5 mm



Cat No:

307 189
307 180

Voltage, V ~	Current, A	Cross-Section
500	24	2,5 mm ²
300	20	AWG 22-12
400	18	0,5-2,5 mm ²

0,34-4 mm ²
0,34-2,5 mm ²
0,5 mm ²
AWG 22-12
9-10 mm
KT 1 (0,4x2,5)

Type	Cat.No.	Qty.
NPP PYK 2,5-2 FT	446 529	10

Type	Cat.No.	Qty.
UK 2,5/2	476 222	25
UK 2,5/3	476 223	20
UK 2,5/4	476 224	15
UK 2,5/10	476 229	5
UK 2,5/16	474 260	10
UK 2,5/20	474 200	10

6/3
1/A3
IP 20 / -
D-NS 5x10, SLF-P2 W, DB 10/5, DG 10/5, DG 10/5T, SLF-P1 W
30 pcs.

Cat No:

307 209
307 200

Voltage, V ~	Current, A	Cross-Section
500	24	2,5 mm ²
300	20	AWG 22-12
400	18	0,5-2,5 mm ²

0,34-4 mm ²
0,34-2,5 mm ²
0,5 mm ²
AWG 22-12
9-10 mm
KT 1 (0,4x2,5)

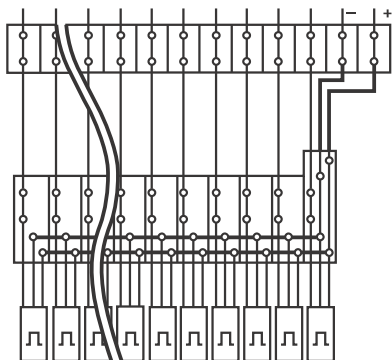
Type	Cat.No.	Qty.
NPP PYK 2,5-3 FT	446 539	30

Type	Cat.No.	Qty.
UK 2,5/2	476 222	25
UK 2,5/3	476 223	20
UK 2,5/4	476 224	15
UK 2,5/10	476 229	5
UK 2,5/16	474 260	10
UK 2,5/20	474 200	10

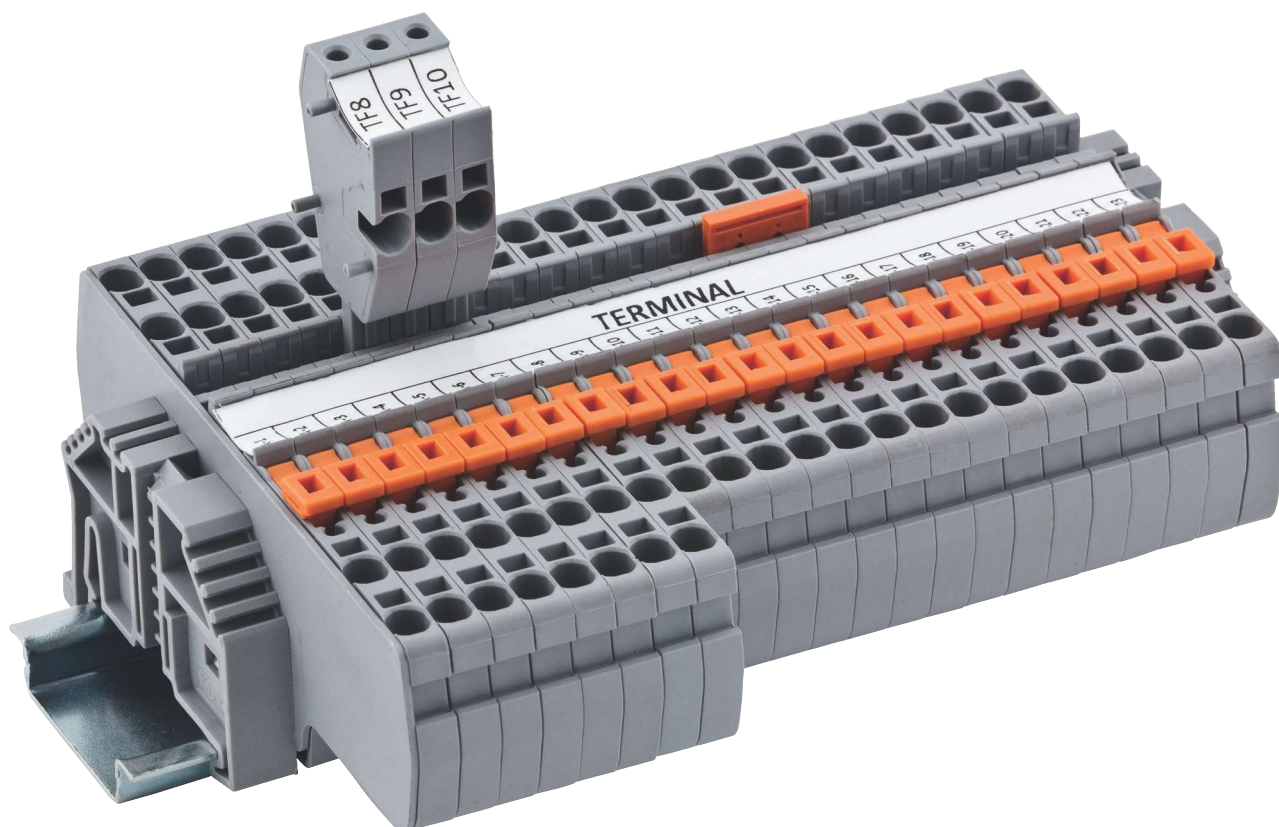
6/3
1/A3
IP 20 / -
D-NS 5x10, SLF-P2 W, DB 10/5, DG 10/5, DG 10/5T, SLF-P1 W
30 pcs.

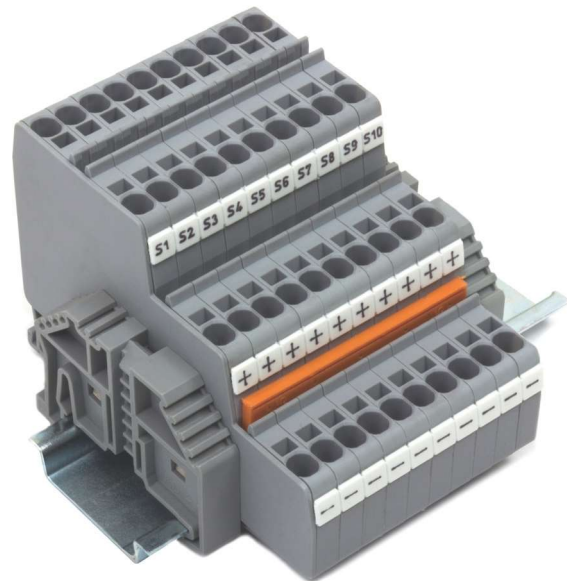
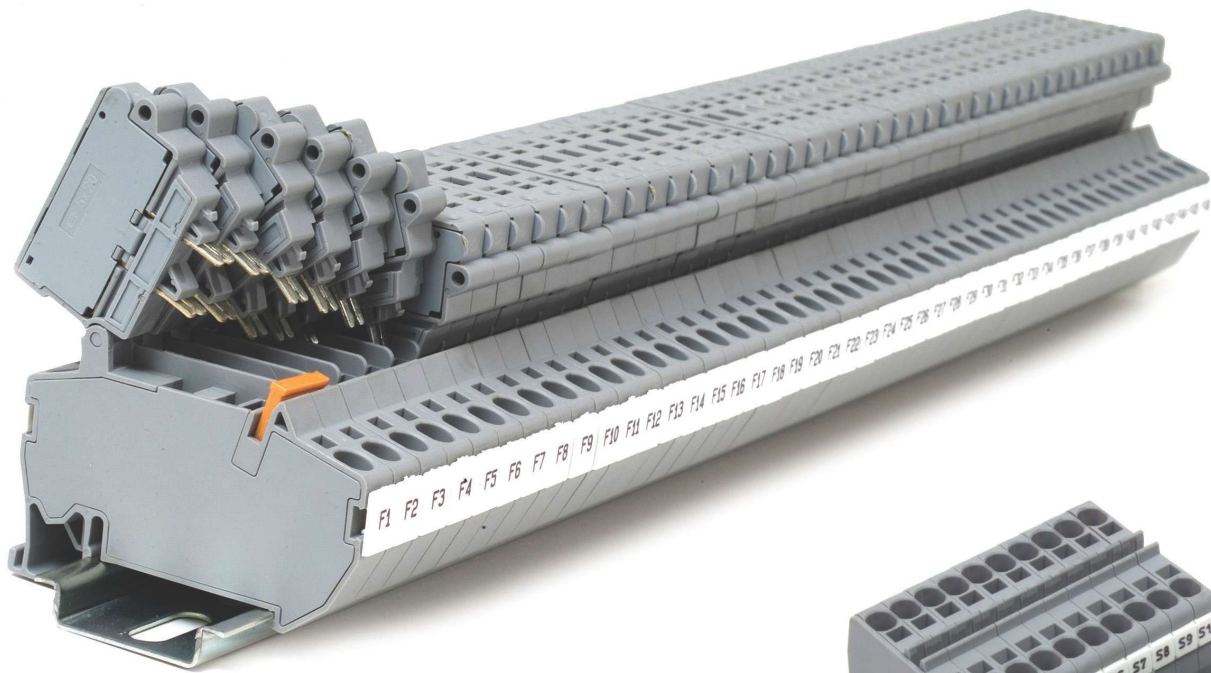
PYK Series Sensor / Fuse and Disconnect / Disconnect Terminals

Practical Spring Clamp Fuse Terminals has a sliding type hinged carrier that has a specially designed space for cartridge type glass fuse of size $\text{Ø} 5 \times 20$ or $\text{Ø} 5 \times 25$. Both sides of the terminals are closed and available for cross connection. Special Marking solutions can be provided by Plotter Labeling.

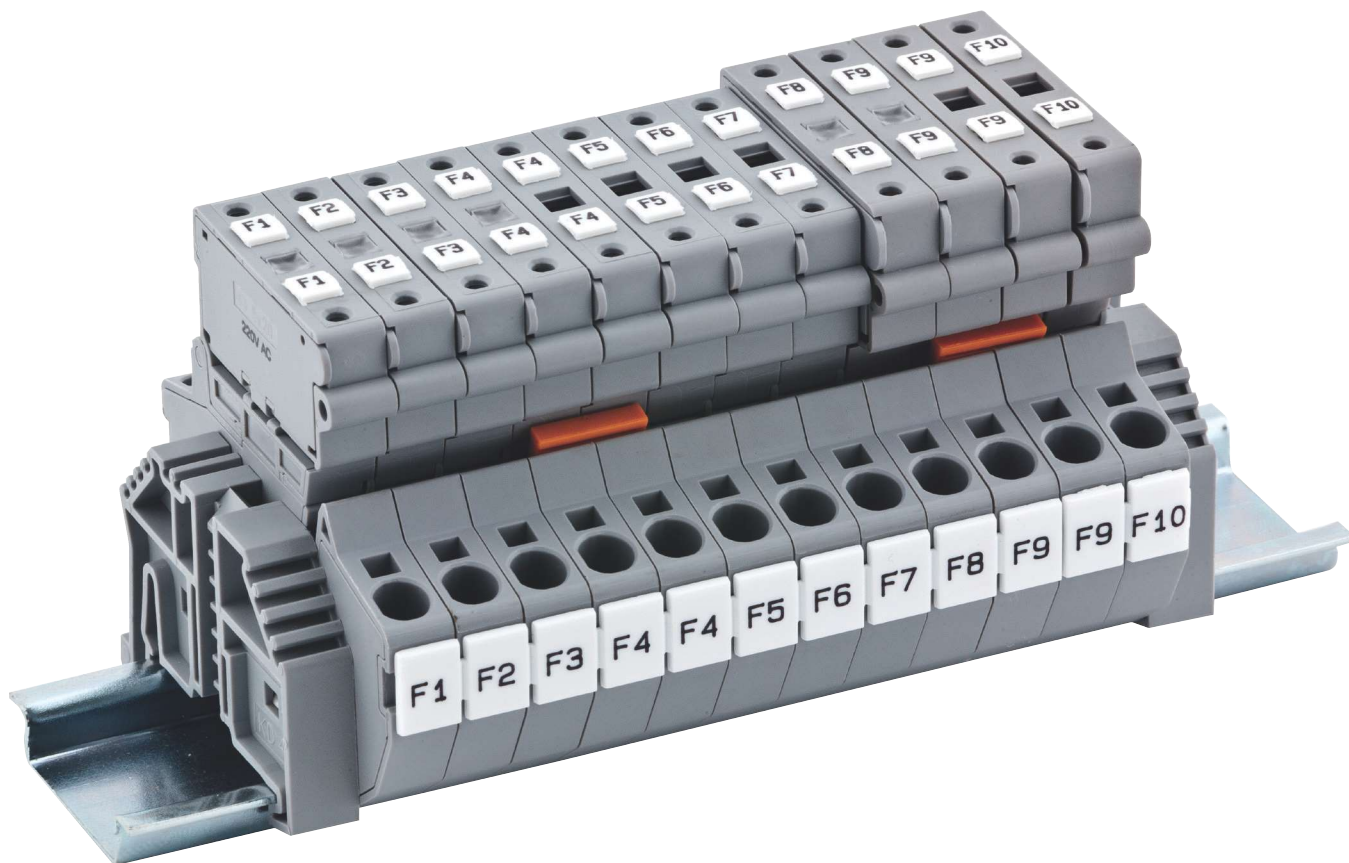


Practical Spring Terminals are making sensor connections, which are often used in industry, more practical and esthetic. All PYK series with single layer are available with marking strip printed on Thermal printer, using Klemark Software. Terminals can be used with NPN and PNP types of sensors. Special Marking solutions for each cross section can be provided by Thermal Printing and Plotter Labeling.





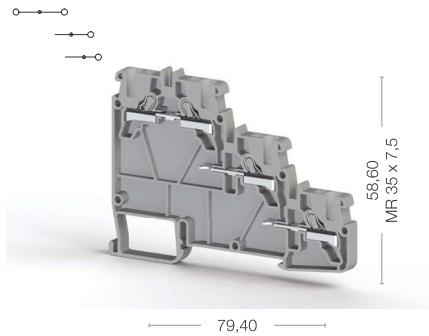
PYK series Disconnect Terminals enables to safely open-close the circuit , when the energy is on in the system. Can be marked with Thermal marking strip and cross-connected together with all other single-level terminals. Special Marking solutions can be provided by Thermal Printing and Plotter Labeling.



Practical Spring Clamp Sensor Terminals

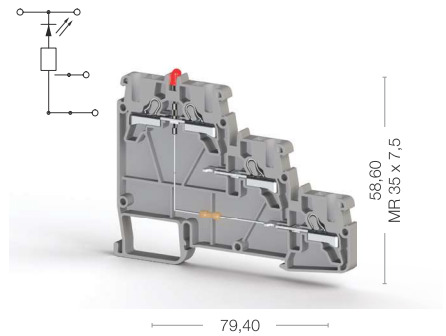
PYK 3 S

Width: 5 mm



PYK 3 SLD (NPN)

Width: 5 mm



Cat No:

- 307 409
- 307 400

Cat No:

- 307 419
- 307 410



Electrical Ratings
CE (EN 60947-7-1)
UL
VDE (IEC 60947-7-1)
CSA
ATEX

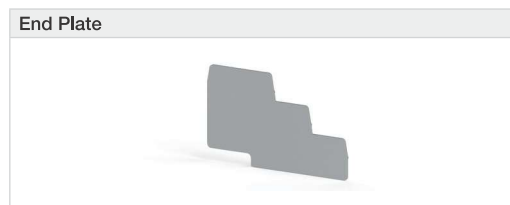
Voltage, V ~	Current, A	Cross-Section
250	24	2,5 mm ²
300	20	AWG 22-12

Voltage, V ~	Current, A	Cross-Section
24	24	2,5 mm ²

Connection Data
Conductor cross section solid (min.-max.)
Conductor cross section stranded (min.-max.)
2 conductors with same cross section, stranded, TWIN ferrules with plastic sleeve
AWG Conductor
Insulation Stripping Length (min.-max.)
Screwdriver

0,34-4 mm ²
0,34-2,5 mm ²
0,5 mm ²
AWG 22-12
9-10 mm
KT 1 (0,4x2,5)

0,34-4 mm ²
0,34-2,5 mm ²
0,5 mm ²
AWG 22-12
9-10 mm
KT 1 (0,4x2,5)



Type	Cat.No.	Qty.
NPP PYK 3 S	446 609	10

Type	Cat.No.	Qty.
NPP PYK 3 S	446 609	10



Type	Cat.No.	Qty.
UK 2,5/2	476 222	25
UK 2,5/3	476 223	20
UK 2,5/4	476 224	15
UK 2,5/10	476 229	5
UK 2,5/16	474 260	10
UK 2,5/20	474 200	10

Type	Cat.No.	Qty.
UK 2,5/2	476 222	25
UK 2,5/3	476 223	20
UK 2,5/4	476 224	15
UK 2,5/10	476 229	5
UK 2,5/16	474 260	10
UK 2,5/20	474 200	10

Technical Data
Rated Impulse Voltage / Pollution severity
Insulation material group / Gauge pin code according to IEC 60947-1
Protection class / Protection conductor type
Marking Tags (Dekafix)
See pages 326-333 for a list of Dekafix

8/3
1/A3
IP 20 / -
D-NS 5x10, SLF-P2 W, DB 10/5, DG 10/5, DG 10/5T

8/3
1/A3
IP 20 / -
D-NS 5x10, SLF-P2 W, DB 10/5, DG 10/5, DG 10/5T

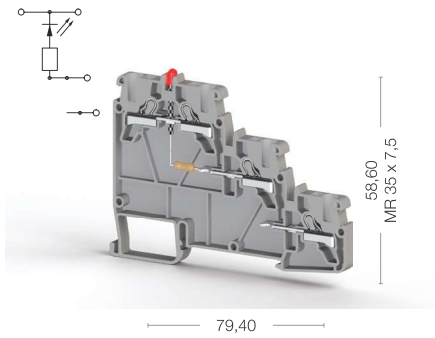
Package Quantity

20 pcs.

20 pcs.

PYK 3 SLD (PNP)

Width: 5 mm



Cat No:

- 307 429
- 307 420

Voltage, V ~	Current, A	Cross-Section
24	24	2,5 mm ²

0,34-4 mm ²
0,34-2,5 mm ²
0,5 mm ²
AWG 22-12
9-10 mm
KT 1 (0,4x2,5)

Type	Cat.No.	Qty.
NPP PYK 3 S	446 609	10

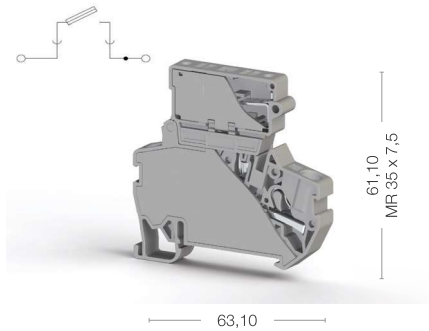
Type	Cat.No.	Qty.
UK 2,5/2	476 222	25
UK 2,5/3	476 223	20
UK 2,5/4	476 224	15
UK 2,5/10	476 229	5
UK 2,5/16	474 260	10
UK 2,5/20	474 200	10

8/3
1/A3
IP 20 / -
D-NS 5x10, SLF-P2 W, DB 10/5, DG 10/5, DG 10/5T
20 pcs.

Practical Spring Clamp Fuse and Disconnect Terminals

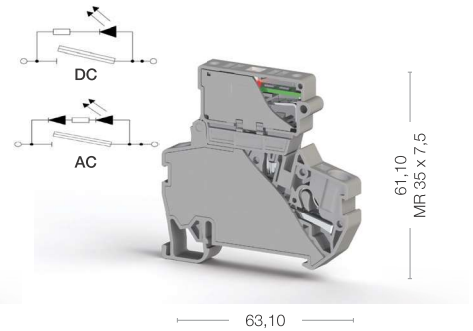
PYK 4 S

Width: 8 mm



PYK 4 SLD

Width: 8 mm



Cat No:

- 307 249
- 307 240

Cat No:

- 307 259
- 307 250



Electrical Ratings	Voltage, V ~	Current, A	Cross-Section	Voltage, V ~	Current, A	Cross-Section
CE (EN 60947-7-3)	500	10	4 mm ²		10	4 mm ²
UL	300	10	AWG 22-10		10	AWG 22-10
VDE (IEC 60947-7-3)						
CSA						
ATEX						

Connection Data						
Conductor cross section solid (min.-max.)		0,34-6 mm ²			0,34-6 mm ²	
Conductor cross section stranded (min.-max.)		0,25-4 mm ²			0,25-4 mm ²	
2 conductors with same cross section, stranded, TWIN ferrules with plastic sleeve		1 mm ²			1 mm ²	
AWG Conductor		AWG 22-10			AWG 22-10	
Insulation Stripping Length (min.-max.)		9-10 mm			9-10 mm	
Screwdriver		KT 2 (0,5x3,0)			KT 2 (0,5x3,0)	

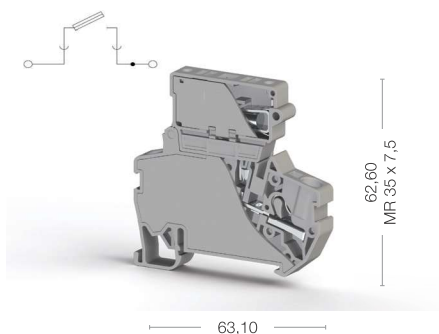
Ordering Data	Type	Cat.No.	Qty.	Type	Cat.No.	Qty.
Grey Beige Grey Beige	PYK 4 S (5x20)	307 249	15	PYK 4 SLD (5x20)	307 259 (24V DC)	15
	PYK 4 S (5x20)	307 240	15	PYK 4 SLD (5x20)	307 269 (220V AC)	15
	PYK 4 S (5x25)	307 289	15	PYK 4 SLD (5x25)	307 299 (24V DC)	15
	PYK 4 S (5x25)	307 280	15	PYK 4 SLD (5x25)	307 309 (220V AC)	15

Push-in Cross Connection	Type	Cat.No.	Qty.	Type	Cat.No.	Qty.
	UK 6/2	476 242	25	UK 6/2	476 242	25
	UK 6/3	476 243	20	UK 6/3	476 243	20
	UK 6/4	476 244	15	UK 6/4	476 244	15
	UK 6/10	476 249	5	UK 6/10	476 249	5

Technical Data		
Rated Impulse Voltage / Pollution severity	6/3	6/3
Insulation material group / Gauge pin code according to IEC 60947-1	1/A4	1/A4
Protection class / Protection conductor type	IP 20 / -	IP 20 / -
Fuse / Fuse Type	G/5x20-5x25	G/5x20-5x25
Marking Tags (Dekafix)	D-NS 8x10, SLF-P2 W, DB 5, DG 10/8	D-NS 8x10, SLF-P2 W, DB 5, DG 10/8
Package Quantity	15 pcs.	15 pcs.

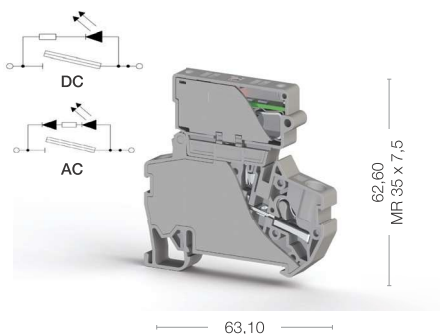
PYK 4 I

Width: 8 mm



PYK 4 ILD

Width: 8 mm



Cat No:

- 307 319
- 307 310

Voltage, V ~	Current, A	Cross-Section
500	10	4 mm ²
300	10	AWG 22-10

0,34-6 mm ²
0,25-4 mm ²
1 mm ²
AWG 22-10
9-10 mm
KT 2 (0,5x3,0)

Type	Cat.No.	Qty.
UK 6/2	476 242	25
UK 6/3	476 243	20
UK 6/4	476 244	15
UK 6/10	476 249	5

6/3
1/A4
IP 20 / -
G/6,35x31,75
D-NS 8x10, SLF-P2 W, DB 5, DG 10/8

15 pcs.

Cat No:

- 307 329
- 307 320

Voltage, V ~	Current, A	Cross-Section
	10	4 mm ²
	10	AWG 22-10

0,34-6 mm ²
0,25-4 mm ²
1 mm ²
AWG 22-10
9-10 mm
KT 2 (0,5x3,0)

Type	Cat.No.	Qty.
PYK 4 ILD	307 329 (24V DC)	15
PYK 4 ILD	307 339 (220V AC)	15

Type	Cat.No.	Qty.
UK 6/2	476 242	25
UK 6/3	476 243	20
UK 6/4	476 244	15
UK 6/10	476 249	5

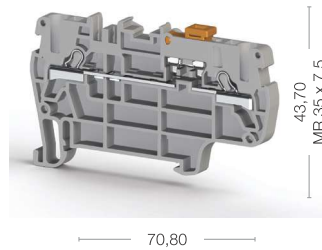
6/3
1/A4
IP 20 / -
G/6,35x31,75
D-NS 8x10, SLF-P2 W, DB 5, DG 10/8

15 pcs.

Practical Spring Clamp Fuse and Disconnect Terminals

PYK 2,5 A

Width: 5 mm



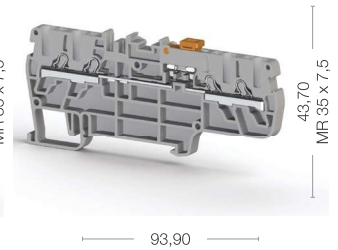
PYK 2,5 EA

Width: 5 mm



PYK 2,5 CCA

Width: 5 mm



Cat No:

307 169
307 160

Cat No:

307 459
307 450

Cat No:

307 219
307 210



Electrical Ratings
CE (EN 60947-7-1)
UL
VDE (IEC 60947-7-1)
CSA
ATEX

Voltage, V ~	Current, A	Cross-Section
400	20	2,5 mm ²
300	16	AWG 22-12

Voltage, V ~	Current, A	Cross-Section
400	16	2,5 mm ²

Voltage, V ~	Current, A	Cross-Section
400	16	2,5 mm ²
300	10	AWG 22-12

Connection Data
Conductor cross section solid (min.-max.)
Conductor cross section stranded (min.-max.)
2 conductors with same cross section, stranded, TWIN ferrules with plastic sleeve
AWG Conductor
Insulation Stripping Length (min.-max.)
Screwdriver

0,34-4 mm ²
0,34-2,5 mm ²
0,5 mm ²
AWG 22-12
9-10 mm
KT 1 (0,4x2,5)

0,34-4 mm ²
0,34-2,5 mm ²
0,5 mm ²
AWG 22-12
9-10 mm
KT 1 (0,4x2,5)

0,34-4 mm ²
0,34-2,5 mm ²
0,5 mm ²
AWG 22-12
9-10 mm
KT 1 (0,4x2,5)

End Plate

Type	Cat.No.	Qty.
NPP/PYK 2,5 A	446 509	100

Type	Cat.No.	Qty.
NPP/PYK 2,5 EA	446 629	100

Type	Cat.No.	Qty.
NPP/PYK 2,5 CCA	446 549	100

Push-in Cross Connection

Type	Cat.No.	Qty.
UK 2,5/2	476 222	25
UK 2,5/3	476 223	20
UK 2,5/4	476 224	15
UK 2,5/10	476 229	5
UK 2,5/16	474 260	10
UK 2,5/20	474 200	10

Type	Cat.No.	Qty.
UK 2,5/2	476 222	25
UK 2,5/3	476 223	20
UK 2,5/4	476 224	15
UK 2,5/10	476 229	5
UK 2,5/16	474 260	10
UK 2,5/20	474 200	10

Type	Cat.No.	Qty.
UK 2,5/2	476 222	25
UK 2,5/3	476 223	20
UK 2,5/4	476 224	15
UK 2,5/10	476 229	5
UK 2,5/16	474 260	10
UK 2,5/20	474 200	10

Technical Data
Rated Impulse Voltage / Pollution severity
Insulation material group / Gauge pin code according to IEC 60947-1
Protection class / Protection conductor type
Marking Tags (Dekafix)
See pages 326-333 for a list of Dekafix

4/3
1/A3
IP 20 / -
D-NS 5x10, SLF-P2 W, DB 10/5, DG 10/5, DG 10/5T, SLF-P1 W

4/3
1/A3
IP 20 / -
D-NS 5x10, SLF-P2 W, DB 10/5, DG 10/5, DG 10/5T, SLF-P1 W

4/3
1/A3
IP 20 / -
D-NS 5x10, SLF-P2 W, DB 10/5, DG 10/5, DG 10/5T, SLF-P1 W

Package Quantity

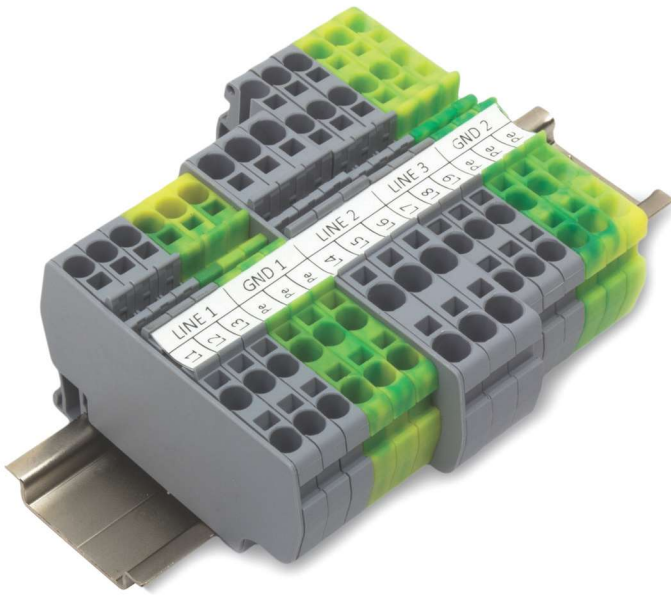
50 pcs.

60 pcs.

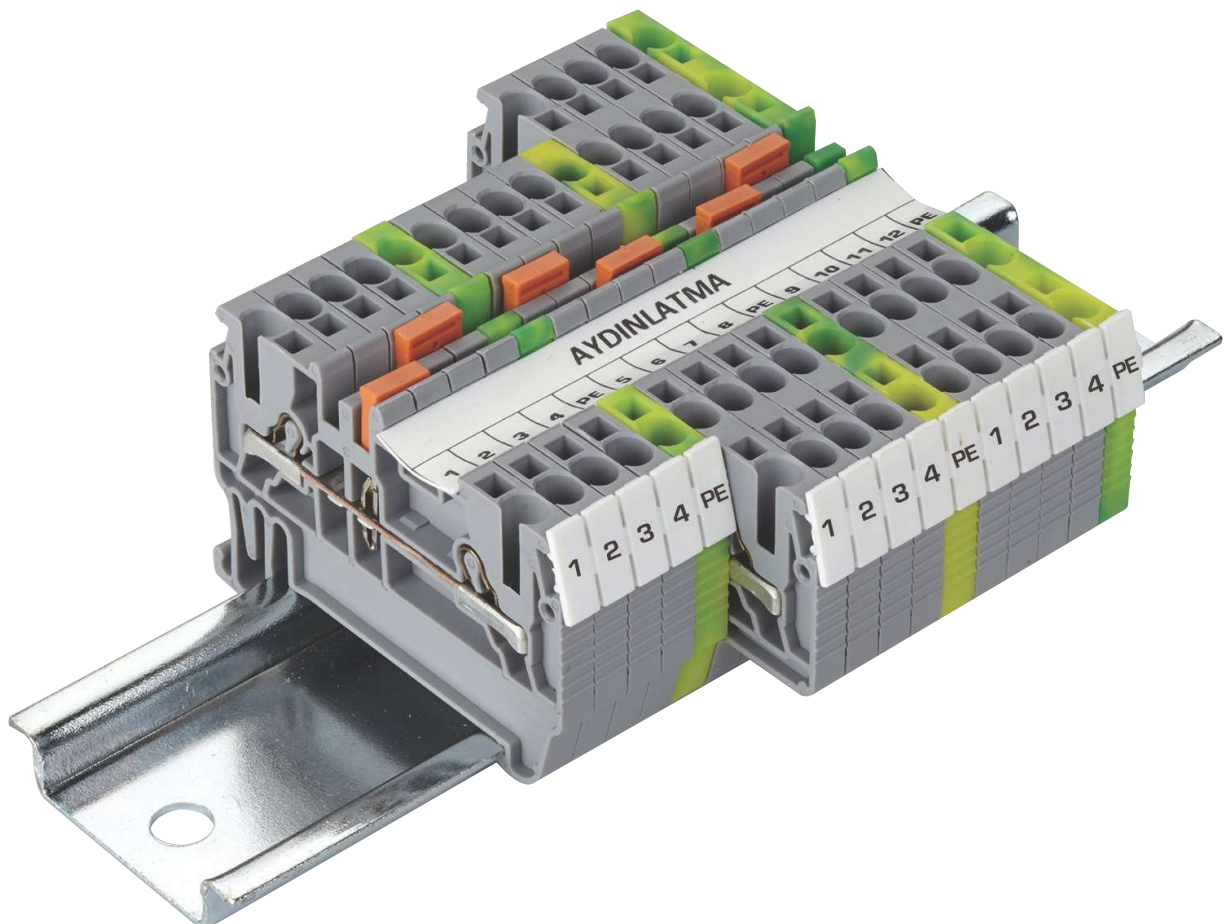
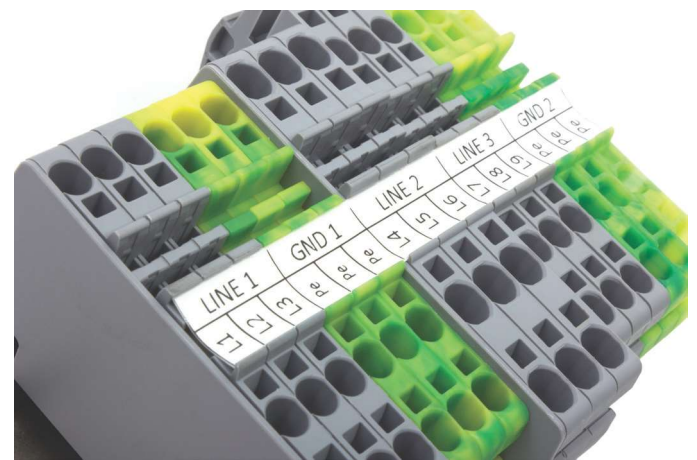
60 pcs.

PYK Series Multi input/output Terminals

PYK Series One Input - Two Output Two Input - Two Output Terminals



PYK Series Multi Input/Output Terminals make wiring more practical, reduce the installation costs where double and multilevel terminals cannot be used in the panels. Marking is available with all single layer PYK type terminals. Terminals can be used with test terminals and cross connection is available. Have same features in Earth terminals with same cross sections. Special Marking solutions for each cross section can be provided by Thermal Printing and Plotter Labeling.



PYK Series

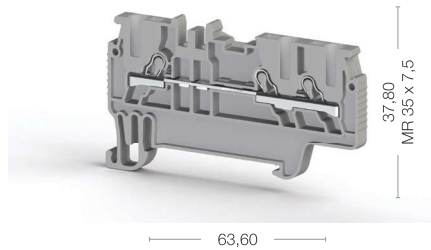
One Input - Two Output

Two Input - Two Output

Terminals

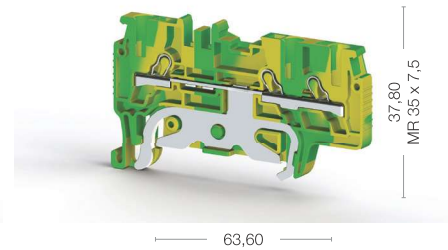
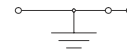
PYK 1,5 ME

Width: 4,2 mm



PYK 1,5 MET

Width: 4,2 mm



Cat No:

307 039
307 030

Cat No:

336 460



Electrical Ratings
CE (EN 60947-7-1 - EN 60947-7-2)
UL
VDE (IEC 60947-7-1)
CSA
ATEX

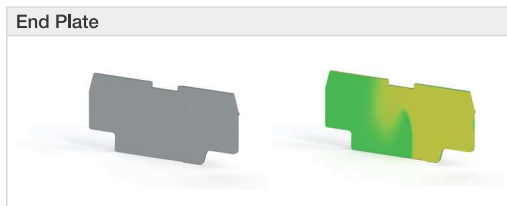
Voltage, V ~	Current, A	Cross-Section
800	17,5	1,5 mm ²
500	15	0,5-2,5 mm ²

Voltage, V ~	Current, A	Cross-Section
		1,5 mm ²
		0,5-2,5 mm ²

Connection Data
Conductor cross section solid (min.-max.)
Conductor cross section stranded (min.-max.)
2 conductors with same cross section, stranded, TWIN ferrules with plastic sleeve
AWG Conductor
Insulation Stripping Length (min.-max.)
Screwdriver

0,34-2,5 mm ²
0,34-1,5 mm ²
0,5 mm ²
AWG 22-14
9-10 mm
KT 1 (0,4x2,5)

0,34-2,5 mm ²
0,34-1,5 mm ²
0,5 mm ²
AWG 22-14
9-10 mm
KT 1 (0,4x2,5)



Type	Cat.No.	Qty.
NPP/PYK 1,5 ME	446 649	100

Type	Cat.No.	Qty.
NPP/PYK 1,5 MET	446 642T	100



Type	Cat.No.	Qty.
UK 1,5/2	476 602	25
UK 1,5/3	476 603	20
UK 1,5/4	476 604	15
UK 1,5/10	476 609	5

Technical Data
Rated Impulse Voltage / Pollution severity
Insulation material group / Gauge pin code according to IEC 60947-1
Protection class / Protection conductor type

8/3
1/A1-B1
IP 20 / -

8/3
1/A1-B1
IP 20 / -

Marking Tags (Dekafix)
See pages 326-333 for a list of Dekafix

D-NS 4,2x6, DB 6/4

D-NS 4,2x6, DB 6/4

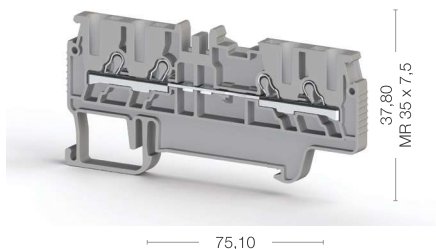
Package Quantity
70 pcs.

70 pcs.

70 pcs.

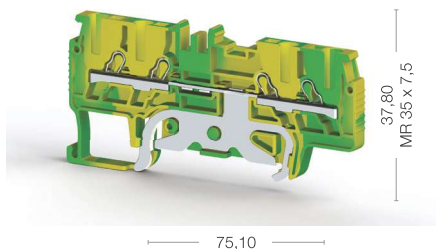
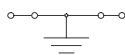
PYK 1,5 MC

Width: 4,2 mm



PYK 1,5 MCT

Width: 4,2 mm



Cat No:

307 029
307 020

Voltage, V ~	Current, A	Cross-Section
800	17,5	1,5 mm ²
500	15	0,5-2,5 mm ²

0,34-2,5 mm ²
0,34-1,5 mm ²
0,5 mm ²
AWG 22-14
9-10 mm
KT 1 (0,4x2,5)

Type	Cat.No.	Qty.
NPP/PYK 1,5 MC	446 659	100

Type	Cat.No.	Qty.
UK 1,5/2	476 602	25
UK 1,5/3	476 603	20
UK 1,5/4	476 604	15
UK 1,5/10	476 609	5

8/3
1/A1-B1
IP 20 / -
D-NS 4,2x6, DB 6/4

70 pcs.

Cat No:

336 450

Voltage, V ~	Current, A	Cross-Section
		1,5 mm ²
		0,5-2,5 mm ²

0,34-2,5 mm ²
0,34-1,5 mm ²
0,5 mm ²
AWG 22-14
9-10 mm
KT 1 (0,4x2,5)

Type	Cat.No.	Qty.
NPP/PYK 1,5 MCT	446 652T	100

8/3
1/A1-B1
IP 20 / -
D-NS 4,2x6, DB 6/4

70 pcs.

PYK Series

One Input - Two Output Two Input - Two Output Terminals

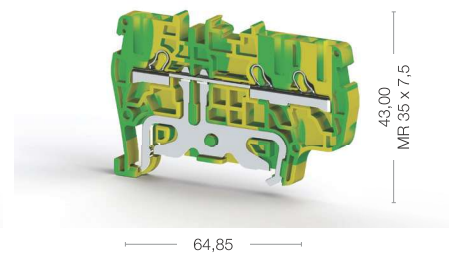
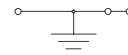
PYK 2,5 E

Width: 5 mm



PYK 2,5 ET

Width: 5 mm



Cat No:

307 439
307 430

Cat No:

336 550



Electrical Ratings
CE (EN 60947-7-1 - EN 60947-7-2)
UL
VDE (IEC 60947-7-1)
CSA
ATEX

Voltage, V ~	Current, A	Cross-Section
800	24	2,5 mm ²
600	20	AWG 22-12
630	21	0,5-4 mm ²

Voltage, V ~	Current, A	Cross-Section
		2,5 mm ²
		AWG 22-12
		0,5-4 mm ²

Connection Data
Conductor cross section solid (min.-max.)
Conductor cross section stranded (min.-max.)
2 conductors with same cross section, stranded, TWIN ferrules with plastic sleeve
AWG Conductor
Insulation Stripping Length (min.-max.)
Screwdriver

0,34-4 mm ²
0,34-2,5 mm ²
0,5 mm ²
AWG 22-12
9-10 mm
KT 1 (0,4x2,5)

0,34-4 mm ²
0,34-2,5 mm ²
0,5 mm ²
AWG 22-12
9-10 mm
KT 1 (0,4x2,5)



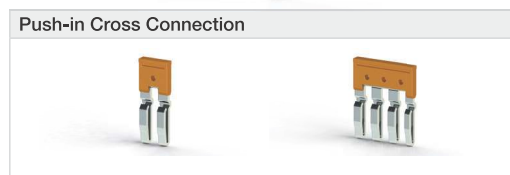
Type	Cat.No.	Qty.
NPP/PYK 2,5 E	446 619	10

Type	Cat.No.	Qty.
NPP/PYK 2,5 ET	446 612T	10



Type	Cat.No.	Qty.
PYK TEST	498 559	25

Type	Cat.No.	Qty.
------	---------	------



Type	Cat.No.	Qty.
UK 2,5/2	476 222	25
UK 2,5/3	476 223	20
UK 2,5/4	476 224	15
UK 2,5/10	476 229	5
UK 2,5/16	474 260	10
UK 2,5/20	474 200	10

Type	Cat.No.	Qty.
------	---------	------

Technical Data
Rated Impulse Voltage / Pollution severity
Insulation material group / Gauge pin code according to IEC 60947-1
Protection class / Protection conductor type
Marking Tags (Dekafix)
See pages 326-333 for a list of Dekafix

8/3
1/A3
IP 20 / -
D-NS 5x10, SLF-P2 W, DB 10/5, DG 10/5, DG 10/5T, SLF-P1 W

8/3
1/A3
IP 20 / -
D-NS 5x10, SLF-P2 W, DB 10/5, DG 10/5, DG 10/5T, SLF-P1 W

Package Quantity
50 pcs.

50 pcs.

50 pcs.

Color							
Color code is the last digit of the order number							
Blue	Green	Yellow	Red	Black	White	Orange	Brown
1	2	3	4	5	6	7	8

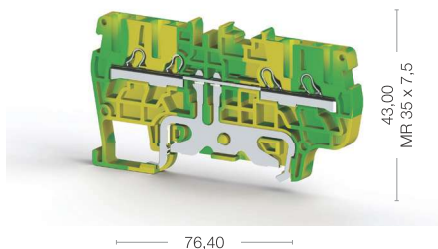
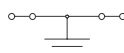
PYK 2,5 C

Width: 5 mm



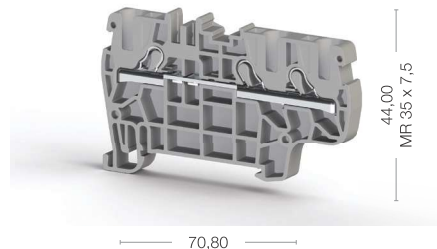
PYK 2,5 CT

Width: 5 mm



PYK 4 E

Width: 6 mm



Cat No:

- 307 389
- 307 380

Voltage, V ~	Current, A	Cross-Section
800	24	2,5 mm ²
600	20	AWG 22-12
630	21	0,5-4 mm ²

0,34-4 mm ²
0,34-2,5 mm ²
0,5 mm ²
AWG 22-12
9-10 mm
KT 1 (0,4x2,5)

Type	Cat.No.	Qty.
NPP/PYK 2,5 C	446 499	10

Type	Cat.No.	Qty.
PYK TEST	498 559	25

Type	Cat.No.	Qty.
UK 2,5/2	476 222	25
UK 2,5/3	476 223	20
UK 2,5/4	476 224	15
UK 2,5/10	476 229	5
UK 2,5/16	474 260	10
UK 2,5/20	474 200	10

8/3
1/A3
IP 20 / -
D-NS 5x10, SLF-P2 W, DB 10/5, DG 10/5, DG 10/5T, SLF-P1 W

50 pcs.

Cat No:

- 336 540

Voltage, V ~	Current, A	Cross-Section
		2,5 mm ²
		AWG 22-12
		0,5-4 mm ²

0,34-4 mm ²
0,34-2,5 mm ²
0,5 mm ²
AWG 22-12
9-10 mm
KT 1 (0,4x2,5)

Type	Cat.No.	Qty.
NPP/PYK 2,5 CT	446 492T	10

Type	Cat.No.	Qty.
------	---------	------

Type	Cat.No.	Qty.
------	---------	------

8/3
1/A3
IP 20 / -
D-NS 5x10, SLF-P2 W, DB 10/5, DG 10/5, DG 10/5T, SLF-P1 W

50 pcs.

Cat No:

- 307 229
- 307 220

Voltage, V ~	Current, A	Cross-Section
800	32	4 mm ²
600	30	AWG 22-12
800	26	0,5-4 mm ²

0,34-6 mm ²
0,25-4 mm ²
1 mm ²
AWG 22-10
9-10 mm
KT 2 (0,5x3,0)

Type	Cat.No.	Qty.
NPP/PYK 4 E	446 559	50

Type	Cat.No.	Qty.
PYK TEST	498 559	25
PYK TEST A	498 659	25

Type	Cat.No.	Qty.
UK 4/2	476 232	25
UK 4/3	476 233	20
UK 4/4	476 234	15
UK 4/10	476 239	5

8/3
1/A4
IP 20 / -
D-NS 6x10, SLF-P2 W, DB 10/6, DG 10/6, DG 10/6T, SLF-P1 W

50 pcs.

PYK Series

One input - Two Output

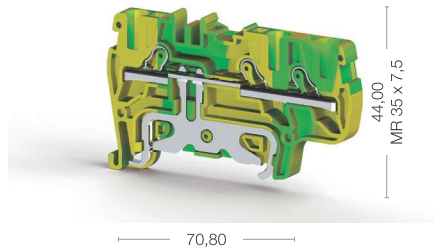
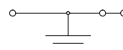
Two input - Two Output

Spring Clamp

Terminals

PYK 4 ET

Width: 6 mm

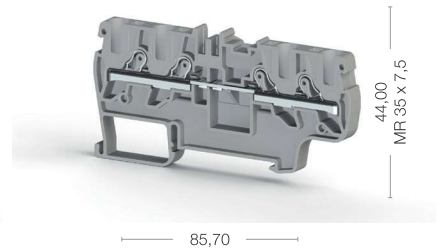


Cat No:

 336 600

PYK 4 C




Width: 6 mm



Cat No:

 307 669
307 660



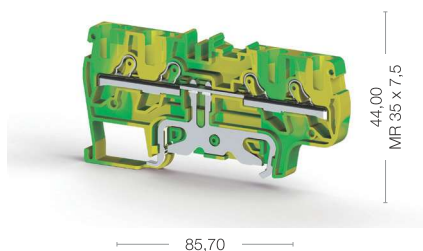
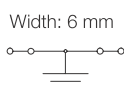
Electrical Ratings	Voltage, V ~	Current, A	Cross-Section	Voltage, V ~	Current, A	Cross-Section
CE (EN 60947-7-1 - EN 60947-7-2)			4 mm ²	1000	32	4 mm ²
UL			AWG 22-10	600	30	AWG 22-10
VDE (IEC 60947-7-1)						
CSA						
ATEX			0,5-4 mm ²			
Connection Data						
Conductor cross section solid (min.-max.)	0,34-6 mm ²		0,34-6 mm ²		0,34-6 mm ²	
Conductor cross section stranded (min.-max.)	0,25-4 mm ²		0,25-4 mm ²		0,25-4 mm ²	
2 conductors with same cross section, stranded, TWIN ferrules with plastic sleeve	1 mm ²		1 mm ²		1 mm ²	
AWG Conductor	AWG 22-10		AWG 22-10		AWG 22-10	
Insulation Stripping Length (min.-max.)	9-10 mm		9-10 mm		9-10 mm	
Screwdriver	KT 2 (0,5x3,0)		KT 2 (0,5x3,0)		KT 2 (0,5x3,0)	
End Plate	Type	Cat.No.	Qty.	Type	Cat.No.	Qty.
	NPP/PYK 4 ET	446 552T	50	NPP/PYK 4C	446 679	25
Test Terminal Block						
						
Push-in Cross Connection						
						
Technical Data						
Rated Impulse Voltage / Pollution severity	8/3		8/3		8/3	
Insulation material group / Gauge pin code according to IEC 60947-1	1/A4		1/A4		1/A4	
Protection class / Protection conductor type	IP 20 / -		IP 20 / -		IP 20 / -	
Marking Tags (Dekafix)						
See pages 326-333 for a list of Dekafix	D-NS 6x10, DB 10/6, DG 10/6, DG 10/6T, SLF-P1 W		D-NS 6x10, DB 10/6, DG 10/6, DG 10/6T, SLF-P1 W		D-NS 6x10, DB 10/6, DG 10/6, DG 10/6T, SLF-P1 W	
Package Quantity	50 pcs.		50 pcs.		45 pcs.	

Color

Color code is the last digit of the order number

Blue	Green	Yellow	Red	Black	White	Orange	Brown
1	2	3	4	5	6	7	8

PYK 4 CT



Cat No:

336 610

Voltage, V ~	Current, A	Cross-Section
		4 mm ²
		AWG 22-10

0,34-6 mm ²		
0,25-4 mm ²		
1 mm ²		
AWG 22-10		
9-10 mm		
KT 2 (0,5x3,0)		

Type	Cat.No.	Qty.
NPP/PYK 4 CT	446 672T	25

Type	Cat.No.	Qty.
PYK TEST	498 559	25
PYK TEST A	498 659	25

8/3		
1/A4		
IP 20 / -		
D-NS 6x10, DB 10/6, DG 10/6, DG 10/6T, SLF-P1 W		

45 pcs.

PYK 4 CD-A



Cat No:

307 679
307 670

Voltage, V ~	Current, A	Cross-Section
1000	1	4 mm ²

0,34-6 mm ²		
0,25-4 mm ²		
1 mm ²		
AWG 22-10		
9-10 mm		
KT 2 (0,5x3,0)		

Type	Cat.No.	Qty.
NPP/PYK 4C	446 679	25
NPP/PYK 4C	446 670	25

Type	Cat.No.	Qty.
PYK TEST	498 559	25
PYK TEST A	498 659	25

8/3		
1/A4		
IP 20 / -		
D-NS 6x10, DB 10/6, DG 10/6, DG 10/6T, SLF-P1 W		

45 pcs.

PYK 4 CD-B



Cat No:

307 689
307 680

Voltage, V ~	Current, A	Cross-Section
1000	1	4 mm ²

0,34-6 mm ²		
0,25-4 mm ²		
1 mm ²		
AWG 22-10		
9-10 mm		
KT 2 (0,5x3,0)		

Type	Cat.No.	Qty.
NPP/PYK 4C	446 679	25
NPP/PYK 4C	446 670	25

Type	Cat.No.	Qty.
PYK TEST	498 559	25
PYK TEST A	498 659	25

8/3		
1/A4		
IP 20 / -		
D-NS 6x10, DB 10/6, DG 10/6, DG 10/6T, SLF-P1 W		

45 pcs.

PYK Series

One input - Two Output

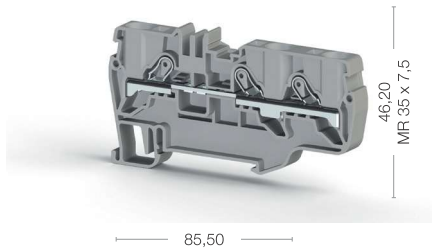
Two input - Two Output

Spring Clamp

Terminals

PYK 6 E

Width: 8 mm

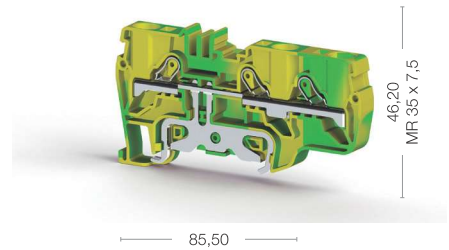
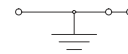


Cat No:

307 639
307 630

PYK 6 ET

Width: 8 mm



Cat No:

336 620



Electrical Ratings
CE (EN 60947-7-1 - EN 60947-7-2)
UL
VDE (IEC 60947-7-1)
CSA
ATEX

Voltage, V ~	Current, A	Cross-Section
1000	41	6 mm ²
600	48	AWG 20-8

Voltage, V ~	Current, A	Cross-Section
		6 mm ²
		AWG 20-8

Connection Data
Conductor cross section solid (min.-max.)
Conductor cross section stranded (min.-max.)
2 conductors with same cross section, stranded, TWIN ferrules with plastic sleeve
AWG Conductor
Insulation Stripping Length (min.-max.)
Screwdriver

0,5-10 mm ²
0,5-6 mm ²
1,5 mm ²
AWG 20-8
11-13 mm
KT 3 (0,6x3,5)

0,5-10 mm ²
0,5-6 mm ²
1,5 mm ²
AWG 20-8
11-13 mm
KT 3 (0,6x3,5)

End Plate

Type	Cat.No.	Qty.
NPP/PYK 6 E	446 689	25

Type	Cat.No.	Qty.
NPP/PYK 6 ET	446 682T	25

Test Terminal Block

Type	Cat.No.	Qty.
PYK TEST	498 559	25

Push-in Cross Connection

Type	Cat.No.	Qty.
UK 6/2	476 242	25
UK 6/3	476 243	10
UK 6/4	476 244	15
UK 6/9	476 249	5

Technical Data
Rated Impulse Voltage / Pollution severity
Insulation material group / Gauge pin code according to IEC 60947-1
Protection class / Protection conductor type
Marking Tags (Dekafix)
See pages 326-333 for a list of Dekafix

8/3
1/A5
IP 20 / -
D-NS 8x10, DG 10/8, DG 10/8T, SLF-P1 W

8/3
1/A5
IP 20 / -
D-NS 8x10, DG 10/8, DG 10/8T, SLF-P1 W

Package Quantity

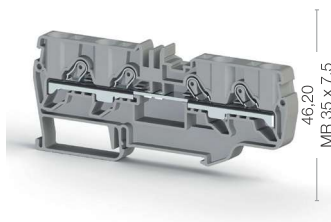
45 pcs.

45 pcs.

Color							
Color code is the last digit of the order number							
Blue	Green	Yellow	Red	Black	White	Orange	Brown
1	2	3	4	5	6	7	8

PYK 6 C

Width: 8 mm



46,20
MR 35 x 7,5

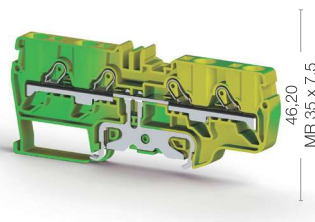
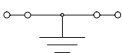
105,40

Cat No:

307 649
307 640

PYK 6 CT

Width: 8 mm



46,20
MR 35 x 7,5

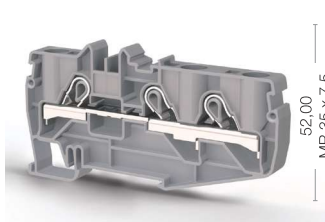
105,40

Cat No:

336 630

PYK 10 E

Width: 10 mm



52,00
MR 35 x 7,5

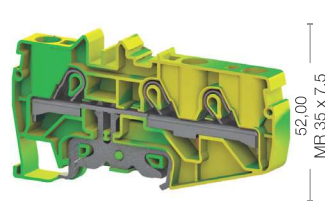
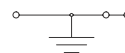
97,80

Cat No:

307 149
307 140

PYK 10 ET

Width: 10 mm



52,00
MR 35 x 7,5

97,80

Cat No:

336 650

Voltage, V ~	Current, A	Cross-Section
1000	41	6 mm ²
600	48	AWG 20-8

0,5-10 mm ²
0,5-6 mm ²
1,5 mm ²
AWG 20-8
11-13 mm
KT 3 (0,6x3,5)

Type	Cat.No.	Qty.
NPP/PYK 6 C	446 699	25

Type	Cat.No.	Qty.
PYK TEST	498 559	25

Type	Cat.No.	Qty.
UK 6/2	476 242	25
UK 6/3	476 243	10
UK 6/4	476 244	15
UK 6/9	476 249	5

8/3
1/A5
IP 20 / -
D-NS 8x10, DG 10/8, DG 10/8T, SLF-P1 W

35 pcs.

Voltage, V ~	Current, A	Cross-Section
		6 mm ²
		AWG 20-8

0,5-10 mm ²
0,5-6 mm ²
1,5 mm ²
AWG 20-8
11-13 mm
KT 3 (0,6x3,5)

Type	Cat.No.	Qty.
NPP/PYK 6 CT	446 692T	25

Type	Cat.No.	Qty.

Type	Cat.No.	Qty.

8/3
1/A5
IP 20 / -
D-NS 8x10, DG 10/8, DG 10/8T, SLF-P1 W

35 pcs.

Voltage, V ~	Current, A	Cross-Section
800	57	10 mm ²

0,5-16 mm ²
0,5-10 mm ²
4 mm ²
AWG 20-6
13-15 mm
KT 4 (0,8x4,0)

Type	Cat.No.	Qty.
NPP/PYK 10E	446 709	25

Type	Cat.No.	Qty.

Type	Cat.No.	Qty.
UK 10/2	476 252	25
UK 10/3	476 253	20
UK 10/4	476 254	15
UK 10/10	476 259	5

8/3
1/B7
IP 20 / -
D-NS 10x10, DG 10/10, SLF-P1 W

50 pcs.

Voltage, V ~	Current, A	Cross-Section
		10 mm ²
		AWG 20-6

0,5-16 mm ²
0,5-10 mm ²
4 mm ²
AWG 20-6
13-15 mm
KT 4 (0,8x4,0)

Type	Cat.No.	Qty.
NPP/PYK 10E	446 709	25

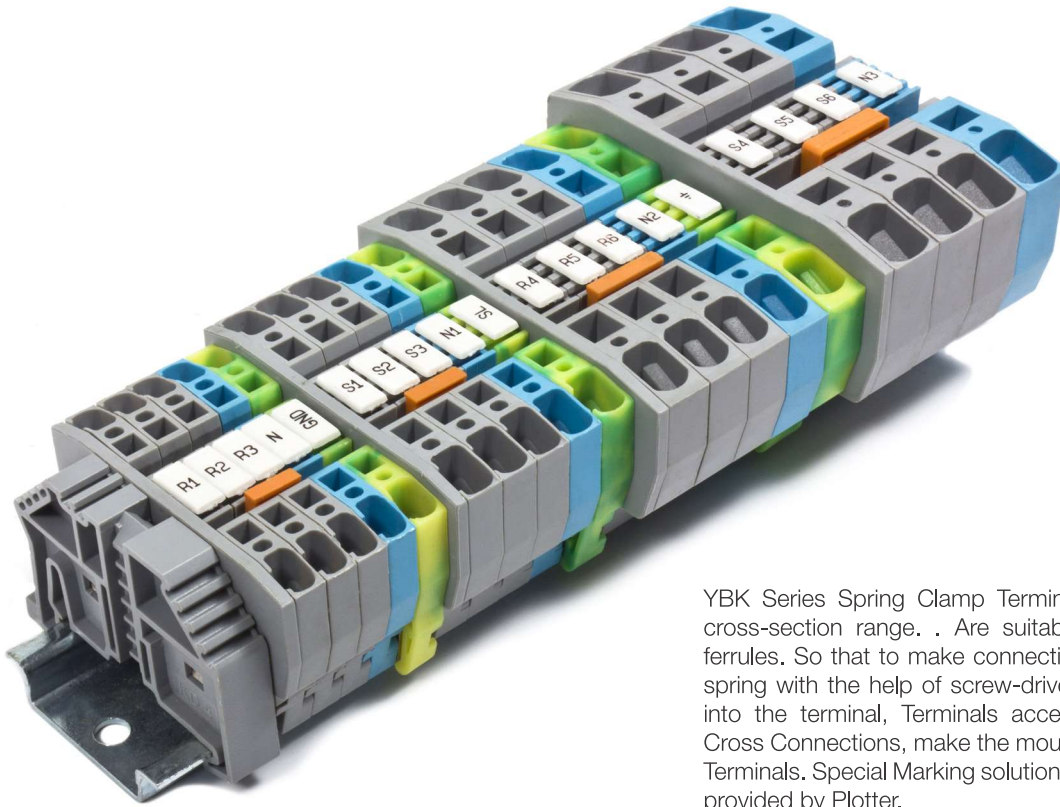
Type	Cat.No.	Qty.

Type	Cat.No.	Qty.

8/3
1/B7
IP 20 / -
D-NS 10x10, DG 10/10, SLF-P1 W

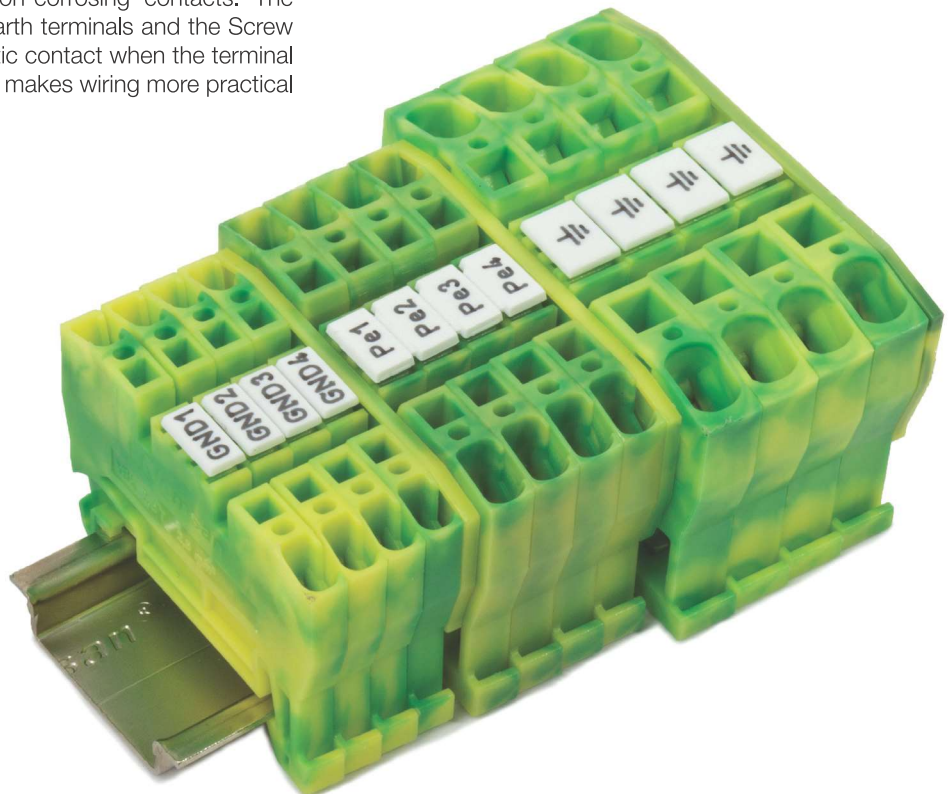
50 pcs.

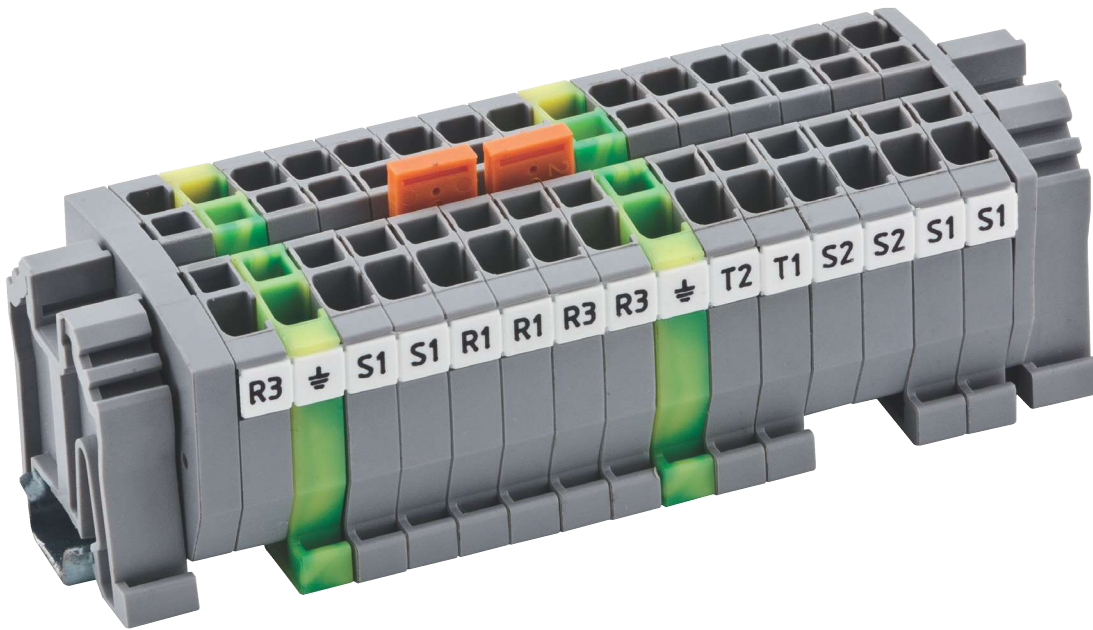
YBK Series Spring Clamp Terminals



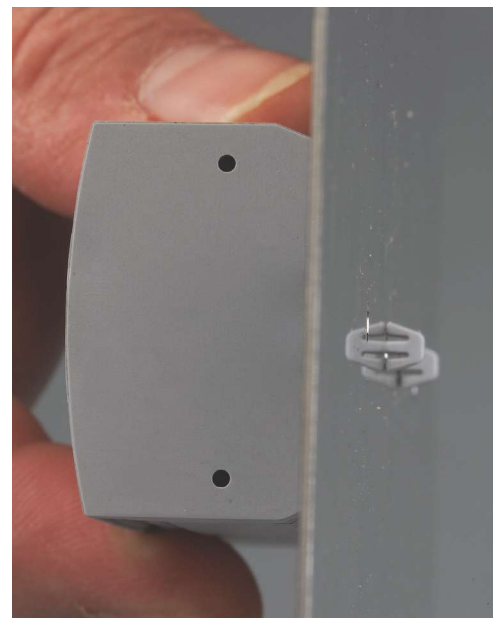
YBK Series Spring Clamp Terminals provide 2,5 10 mm² cross-section range. . Are suitable for usage with or without ferrules. So that to make connection, it is enough to release the spring with the help of screw-driver and then to push the cable into the terminal, Terminals accessories like End Plates and Cross Connections, make the mounting process faster like in Test Terminals. Special Marking solutions for each cross section can be provided by Plotter.

YBK Series Earth Terminals provides new design, which will satisfy customer tastes. YBK series provide non-corrosing contacts. The main difference between Spring Clamp Earth terminals and the Screw Connection Earth terminals is the automatic contact when the terminal blocks are attached on the DIN-rail, which makes wiring more practical and time-saving.





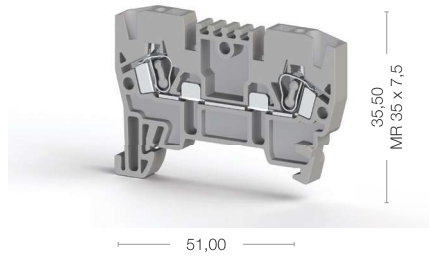
MYK Type Mini Terminals are available in 2,5 mm² cross-section. Can be mounted on MR 15x5,5 mm DIN-rail or directly on a flat surface. Earth Terminals, accessories, suitable for each usage, like End Plates and Cross Connections, make the mounting process faster. Marking solutions can be provided by Plotter. MYK series offer ideal solutions to projects which have narrow and limited space in panels, junction Boxes.



YBK Spring Clamp Terminals

YBK 2,5

Width: 5 mm



YBK 4

Width: 6 mm



Cat No:

- 306 229
- 306 220

Cat No:

- 306 239
- 306 230



Electrical Ratings
CE (EN 60947-7-1)
UL
VDE (IEC 60947-7-1)
CSA
ATEX

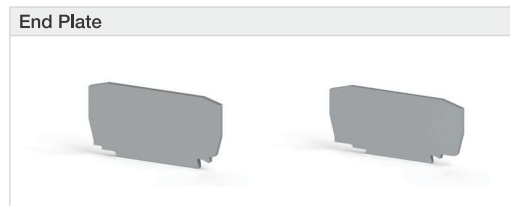
Voltage, V ~	Current, A	Cross-Section
750	24	2,5 mm ²
600	20	AWG 22-12

Voltage, V ~	Current, A	Cross-Section
750	32	4 mm ²
600	26	AWG 22-10

Connection Data
Conductor cross section solid (min.-max.)
Conductor cross section stranded (min.-max.)
2 conductors with same cross section, stranded, TWIN ferrules with plastic sleeve
AWG Conductor
Insulation Stripping Length (min.-max.)
Screwdriver

0,08-4 mm ²
0,08-2,5 mm ²
0,5 mm ²
AWG 28-12
9-10 mm
KT 2 (0,5x3,0)

0,08-6 mm ²
0,08-4 mm ²
1 mm ²
AWG 28-10
10-12 mm
KT 3 (0,6x3,5)



Type	Cat.No.	Qty.
NPP/YBK 2,5	446 329	100

Type	Cat.No.	Qty.
NPP/YBK 4	446 339	100



Type	Cat.No.	Qty.
UK 2,5/2	476 222	25
UK 2,5/3	476 223	20
UK 2,5/4	476 224	15
UK 2,5/10	476 229	5
UK 2,5/16	474 260	10
UK 2,5/20	474 200	10

Type	Cat.No.	Qty.
UK 4/2	476 232	25
UK 4/3	476 233	20
UK 4/4	476 234	15
UK 4/10	476 239	5

Technical Data
Rated Impulse Voltage / Pollution severity
Insulation material group / Gauge pin code according to IEC 60947-1
Protection class / Protection conductor type
Marking Tags (Dekafix)
See pages 326-333 for a list of Dekafix

8/3
1/A3
IP 20 / -
D-NS 5x10, DB 10/5, DG 10/5, DG 10/5T

8/3
1/A4
IP 20 / -
D-NS 6x10, DB 10/6, DG 10/6, DG 10/6T

Package Quantity
100 pcs.

100 pcs.

100 pcs.

Color							
Color code is the last digit of the order number							
Blue	Green	Yellow	Red	Black	White	Orange	Brown
1	2	3	4	5	6	7	8

YBK 6

Width: 8 mm



YBK 10

Width: 10 mm



Cat No:

- 306 249
- 306 240

Voltage, V ~	Current, A	Cross-Section
750	41	6 mm ²
600	35	AWG 22-8

0,2-10 mm ²
0,2-6 mm ²
1,5 mm ²
AWG 24-8
10-12 mm
KT 4 (0,8x4,0)

Type	Cat.No.	Qty.
NPP/YBK 6	446 349	100

Type	Cat.No.	Qty.
UK 6/2	476 242	25
UK 6/3	476 243	20
UK 6/4	476 244	15
UK 6/10	476 249	5

8/3
1/A5
IP 20 / -
D-NS 8x10, DG 10/8

100 pcs.

Cat No:

- 306 259
- 306 250

Voltage, V ~	Current, A	Cross-Section
750	57	10 mm ²
600	55	AWG 20-6

0,2-16 mm ²
0,2-10 mm ²
2,5 mm ²
AWG 24-6
11-13 mm
KT 4 (0,8x4,0)

Type	Cat.No.	Qty.
NPP/YBK 10	446 359	100

Type	Cat.No.	Qty.
UK 10/2	476 252	25
UK 10/3	476 253	20
UK 10/4	476 254	15
UK 10/10	476 259	5

8/3
1/A6
IP 20 / -
D-NS 10x10, DG 10/10

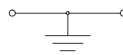
50 pcs.

Color							
Color code is the last digit of the order number							
Blue	Green	Yellow	Red	Black	White	Orange	Brown
1	2	3	4	5	6	7	8

YBK Spring Clamp Earth Terminals

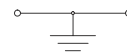
YBK 2,5 T

Width: 5 mm



YBK 4 T


Width: 6 mm



Cat No:

 336 220

Cat No:

 336 230



Electrical Ratings
CE (EN 60947-7-2)
UL
VDE (IEC 60947-7-2)
CSA
ATEX

Voltage, V ~	Current, A	Cross-Section
		2,5 mm ²
		AWG 22-12

Voltage, V ~	Current, A	Cross-Section
		4 mm ²
		AWG 22-10

Connection Data
Conductor cross section solid (min.-max.)
Conductor cross section stranded (min.-max.)
2 conductors with same cross section, stranded, TWIN ferrules with plastic sleeve
AWG Conductor
Insulation Stripping Length (min.-max.)
Screwdriver

	0,08-4 mm ²
	0,08-2,5 mm ²
	0,5 mm ²
	AWG 28-12
	9-10 mm
	KT 2 (0,5x3,0)

	0,08-6 mm ²
	0,08-4 mm ²
	1 mm ²
	AWG 28-10
	10-12 mm
	KT 3 (0,6x3,5)

End Plate


Type	Cat.No.	Qty.
NPP/YBK 2,5 T	446 322T	10

Type	Cat.No.	Qty.
NPP/YBK 4 T	446 332T	10

Technical Data
Rated Impulse Voltage / Pollution severity
Insulation material group / Gauge pin code according to IEC 60947-1
Protection class / Protection conductor type

8/3
1/A3
IP 20 / PE

8/3
1/A4
IP 20 / PE

Marking Tags (Dekafix)
See pages 326-333 for a list of Dekafix

D-NS 5x10, DB 10/5, DG 10/5, DG 10/5T

D-NS 6x10, DB 10/6, DG 10/6, DG 10/6T

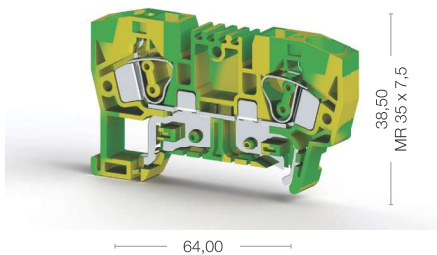
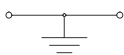
Package Quantity

50 pcs.

50 pcs.

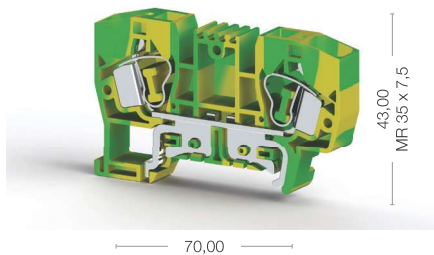
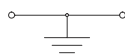
YBK 6 T

Width: 8 mm



YBK 10 T

Width: 10 mm



Cat No:

336 240

Voltage, V ~	Current, A	Cross-Section
		6 mm ²
		AWG 22-8

0,2-10 mm ²		
0,2-6 mm ²		
1,5 mm ²		
AWG 24-8		
10-12 mm		
KT 4 (0,8x4,0)		

Type	Cat.No.	Qty.
NPP/YBK 6 T	446 342T	10

8/3		
1/A5		
IP 20 / PE		
D-NS 8x10, DG 10/8		

40 pcs.

Cat No:

336 250

Voltage, V ~	Current, A	Cross-Section
		10 mm ²
		AWG 20-6

0,2-16 mm ²		
0,2-10 mm ²		
2,5 mm ²		
AWG 24-6		
11-13 mm		
KT 4 (0,8x4,0)		

Type	Cat.No.	Qty.
NPP/YBK 10 T	446 352T	10

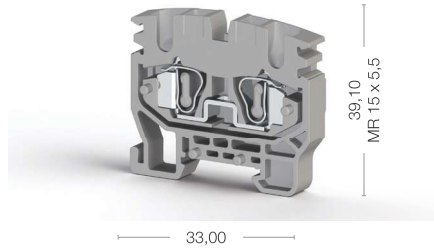
8/3		
1/A6		
IP 20 / PE		
D-NS 10x10, DG 10/10		

30 pcs.

YBK Series Mini Terminals

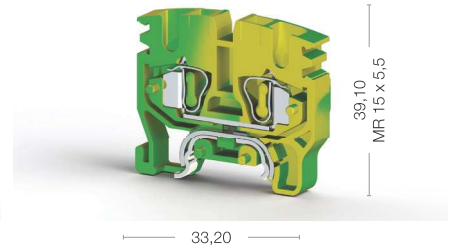
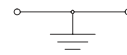
MYK 2,5

Width: 5 mm



MYK 2,5 T

Width: 5 mm



Cat No:

306 429
306 420

Cat No:

336 420



Electrical Ratings
CE (EN 60947-7-1 - EN 60947-7-2)
UL
VDE (IEC 60947-7-1)
CSA
ATEX

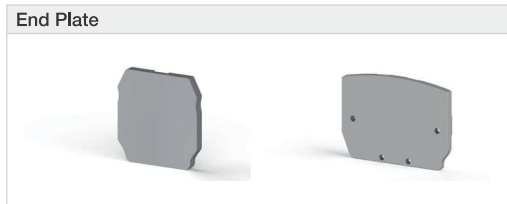
Voltage, V ~	Current, A	Cross-Section
750	24	2,5 mm ²
600	20	AWG 22-12
320/500	18	0,5-2,5 mm ²

Voltage, V ~	Current, A	Cross-Section
		2,5 mm ²
		AWG 22-12
		0,5-2,5 mm ²

Connection Data
Conductor cross section solid (min.-max.)
Conductor cross section stranded (min.-max.)
2 conductors with same cross section, stranded, TWIN ferrules with plastic sleeve
AWG Conductor
Insulation Stripping Length (min.-max.)
Screwdriver

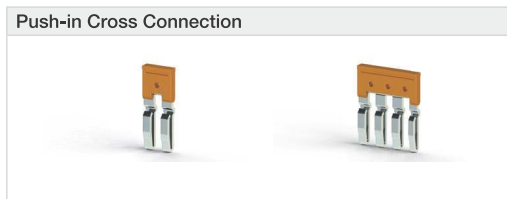
0,08-4 mm ²
0,08-2,5 mm ²
0,5 mm ²
AWG 28-12
9-10 mm
KT 2 (0,5x3,0)

0,08-4 mm ²
0,08-2,5 mm ²
0,5 mm ²
AWG 28-12
9-10 mm
KT 2 (0,5x3,0)



Type	Cat.No.	Qty.
NPP 1 MYK	446 429	100
NPP 2 MYK	446 439	100

Type	Cat.No.	Qty.
NPP 1 MYK 2,5 T	446 422T	100
NPP 2 MYK 2,5 T	446 432T	100



Type	Cat.No.	Qty.
UK 2,5/2	476 222	25
UK 2,5/3	476 223	20
UK 2,5/4	476 224	15
UK 2,5/10	476 229	5
UK 2,5/16	474 260	10
UK 2,5/20	474 200	10

Technical Data
Rated Impulse Voltage / Pollution severity
Insulation material group / Gauge pin code according to IEC 60947-1
Protection class / Protection conductor type
Marking Tags (Dekafix)
See pages 326-333 for a list of Dekafix

8/3
1/B3
IP 20 / -
DB 5

8/3
1/B3
IP 20 / PE
DB 5

Package Quantity
50 pcs.

50 pcs.

Package Quantity
50 pcs.

Color							
Color code is the last digit of the order number							
Blue	Green	Yellow	Red	Black	White	Orange	Brown
1	2	3	4	5	6	7	8

MYPK 2,5

Width: 5 mm



MYSK 2,5

Width: 5 mm



Cat No:

- 306 439
- 306 430

Voltage, V ~	Current, A	Cross-Section
750	24	2,5 mm ²
600	20	AWG 22-12
320/500	18	0,5-2,5 mm ²

0,08-4 mm ²
0,08-2,5 mm ²
0,5 mm ²
AWG 28-12
9-10 mm
KT 2 (0,5x3,0)

Type	Cat.No.	Qty.
NPP MYPD 1	495 079	100
NPP MYPD 2	495 089	100

Type	Cat.No.	Qty.
UK 2,5/2	476 222	25
UK 2,5/3	476 223	20
UK 2,5/4	476 224	15
UK 2,5/10	476 229	5
UK 2,5/16	474 260	10
UK 2,5/20	474 200	10

8/3
1/B3
IP 20 / -
DB 5

100 pcs.

* For panel surface Mounting

Cat No:

- 306 449
- 306 440

Voltage, V ~	Current, A	Cross-Section
750	24	2,5 mm ²
600	20	AWG 22-12
320/500	18	0,5-2,5 mm ²

0,08-4 mm ²
0,08-2,5 mm ²
0,5 mm ²
AWG 28-12
9-10 mm
KT 2 (0,5x3,0)

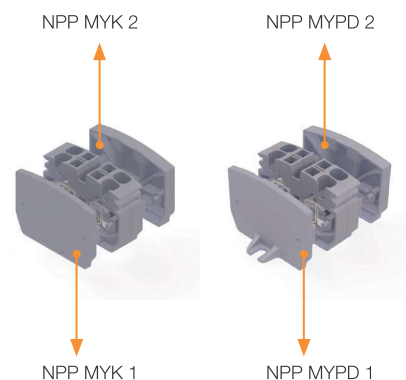
Type	Cat.No.	Qty.
NPP MYK 1	446 429	100
NPP MYK 2	446 439	100

Type	Cat.No.	Qty.
UK 2,5/2	476 222	25
UK 2,5/3	476 223	20
UK 2,5/4	476 224	15
UK 2,5/10	476 229	5
UK 2,5/16	474 260	10
UK 2,5/20	474 200	10

8/3
1/B3
IP 20 / -
DB 5

100 pcs.

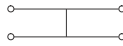
* 3.5 mm (diameter) hole must be opened on panel surface.



YBK Series Mini Terminals

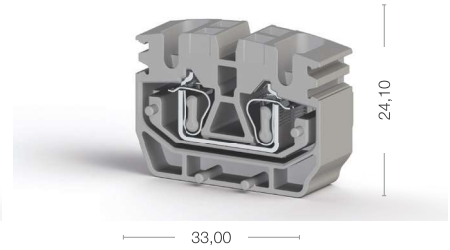
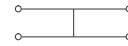
MYK 2,5 C

Width: 10 mm



MYPK 2,5 C

Width: 10 mm



Cat No:

- 306 479
- 306 470

Cat No:

- 306 489
- 306 480



Electrical Ratings
CE (EN 60947-7-1)
UL
VDE (IEC 60947-7-1)
CSA
ATEX

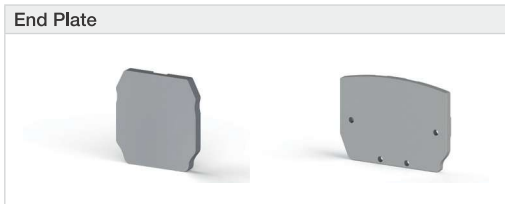
Voltage, V ~	Current, A	Cross-Section
800	24	2,5 mm ²

Voltage, V ~	Current, A	Cross-Section
800	24	2,5 mm ²

Connection Data
Conductor cross section solid (min.-max.)
Conductor cross section stranded (min.-max.)
2 conductors with same cross section, stranded, TWIN ferrules with plastic sleeve
AWG Conductor
Insulation Stripping Length (min.-max.)
Screwdriver

0,08-4 mm ²
0,08-2,5 mm ²
0,5 mm ²
AWG 28-12
9-10 mm
KT 2 (0,5x3,0)

0,08-4 mm ²
0,08-2,5 mm ²
0,5 mm ²
AWG 28-12
9-10 mm
KT 2 (0,5x3,0)



Type	Cat.No.	Qty.
NPP 1 MYK 2,5C	446 429	100
NPP 2 MYK 2,5C	446 439	100

Type	Cat.No.	Qty.
NPP MYPD 1	495 079	100
NPP MYPD 2	495 089	100



Technical Data
Rated Impulse Voltage / Pollution severity
Insulation material group / Gauge pin code according to IEC 60947-1
Protection class / Protection conductor type
Marking Tags (Dekafix)
See pages 326-333 for a list of Dekafix

8/3
1/B3
IP 20 / -
DB 5

8/3
1/B3
IP 20 / -
DB 5

Package Quantity
100 pcs.

100 pcs.

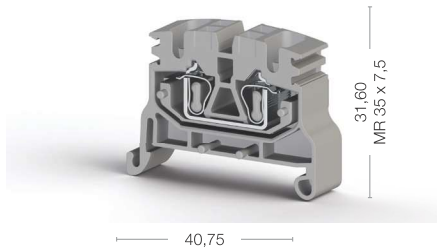
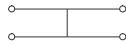
100 pcs.

* For panel surface mounting

Color							
Color code is the last digit of the order number							
Blue	Green	Yellow	Red	Black	White	Orange	Brown
1	2	3	4	5	6	7	8

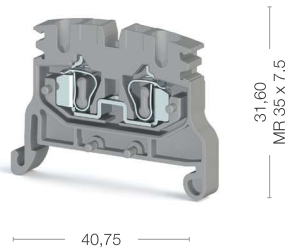
MYKR 2,5 C

Width: 10 mm



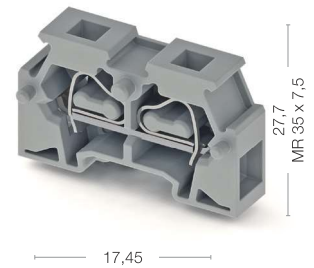
MYKR 2,5

Width: 5 mm



MPK 2,5

Width: 6,2 mm



Cat No:

- 306 499
- 306 490

Voltage, V ~	Current, A	Cross-Section
800	24	2,5 mm ²

0,08-4 mm ²		
0,08-2,5 mm ²		
0,5 mm ²		
AWG 28-12		
9-10 mm		
KT 2 (0,5x3,0)		

Type	Cat.No.	Qty.
NPP 1 MYK	446 429	100
NPP 2 MYK	446 439	100

Type	Cat.No.	Qty.

8/3		
1/B3		
IP 20 / -		
DB 5		

100 pcs.

Cat No:

- 306 509
- 306 500

Voltage, V ~	Current, A	Cross-Section
750	24	2,5 mm ²

0,08-4 mm ²		
0,08-2,5 mm ²		
0,5 mm ²		
AWG 28-12		
9-10 mm		
KT 2 (0,5x3,0)		

Type	Cat.No.	Qty.
NPP 1 MYK	446 429	100
NPP 2 MYK	446 439	100

Type	Cat.No.	Qty.
UK 2,5/2	476 222	25
UK 2,5/3	476 223	20
UK 2,5/4	476 224	15
UK 2,5/10	476 229	5
UK 2,5/16	474 260	10
UK 2,5/20	474 200	10

8/3		
1/B3		
IP 20 / -		
DB 5		

50 pcs.

Cat No:

- 306 519
- 306 510

Voltage, V ~	Current, A	Cross-Section
500	24	2,5 mm ²

0,08-4 mm ²		
0,08-2,5 mm ²		
0,5 mm ²		
AWG 28-12		
9-10 mm		
KT 2 (0,5x3,0)		

Type	Cat.No.	Qty.
DDR_MPK 2,5	450 459	25

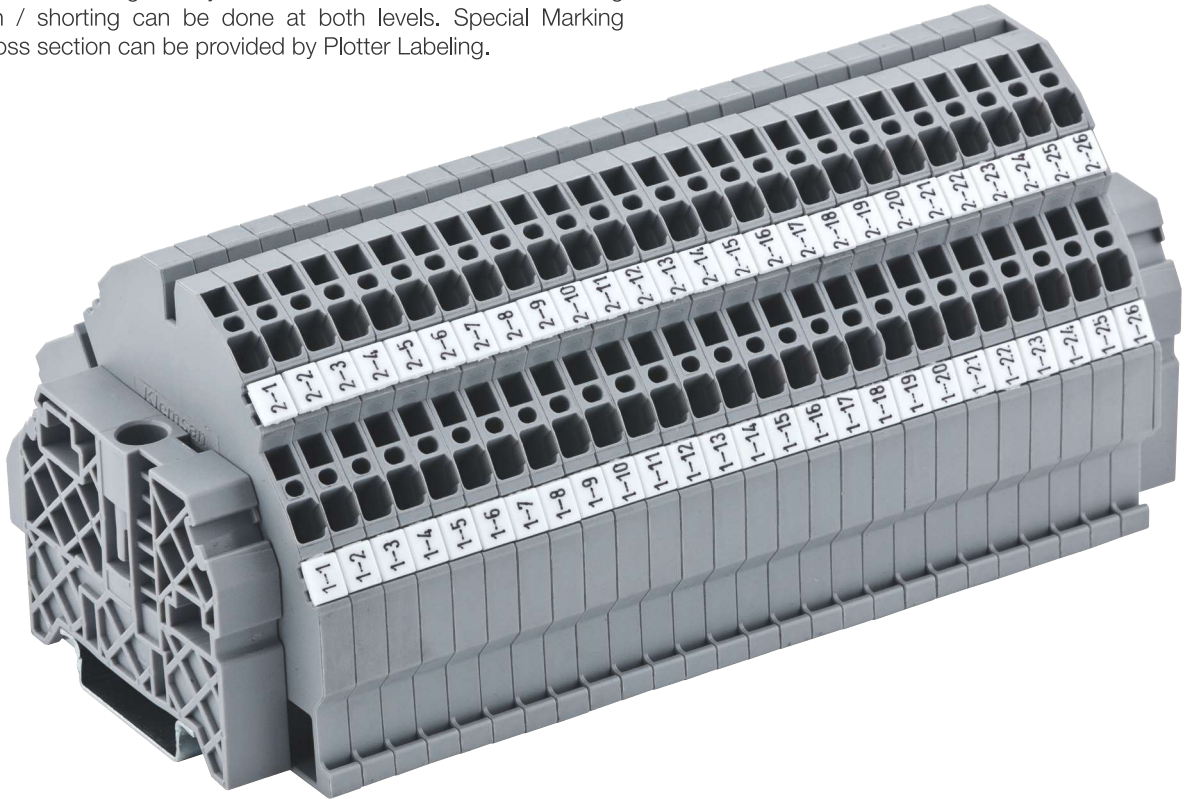
Type	Cat.No.	Qty.

8/3		
1/B3		
IP 20 / -		
DB 5, DG 6/5, D-NS 6,2x6		

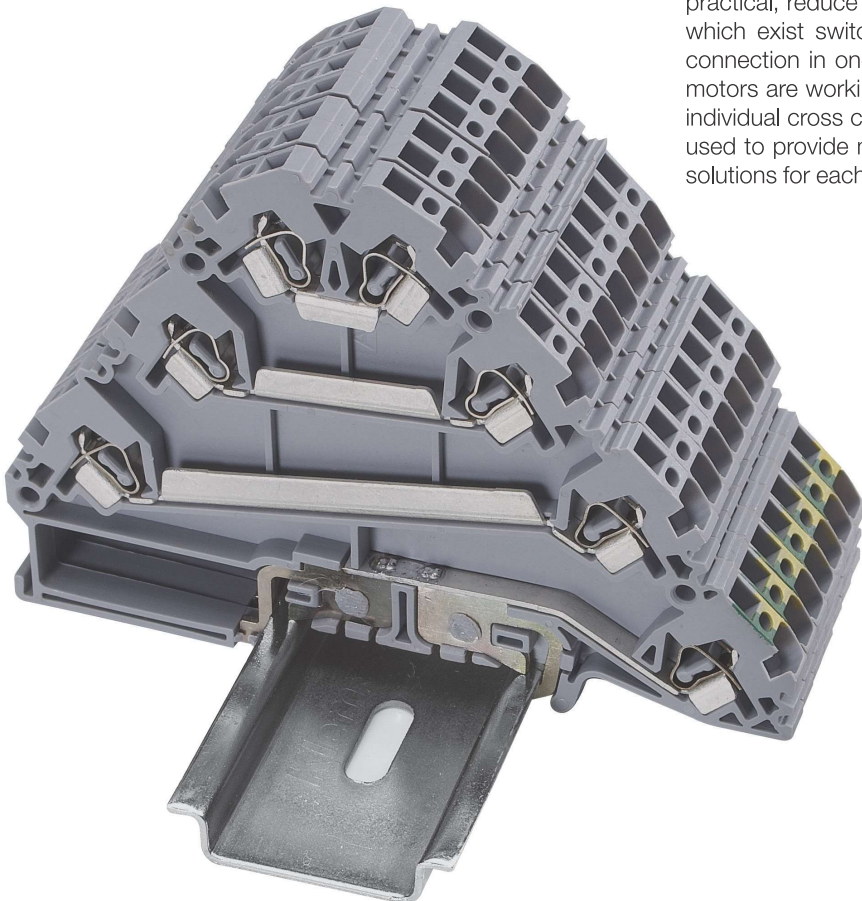
50 pcs.

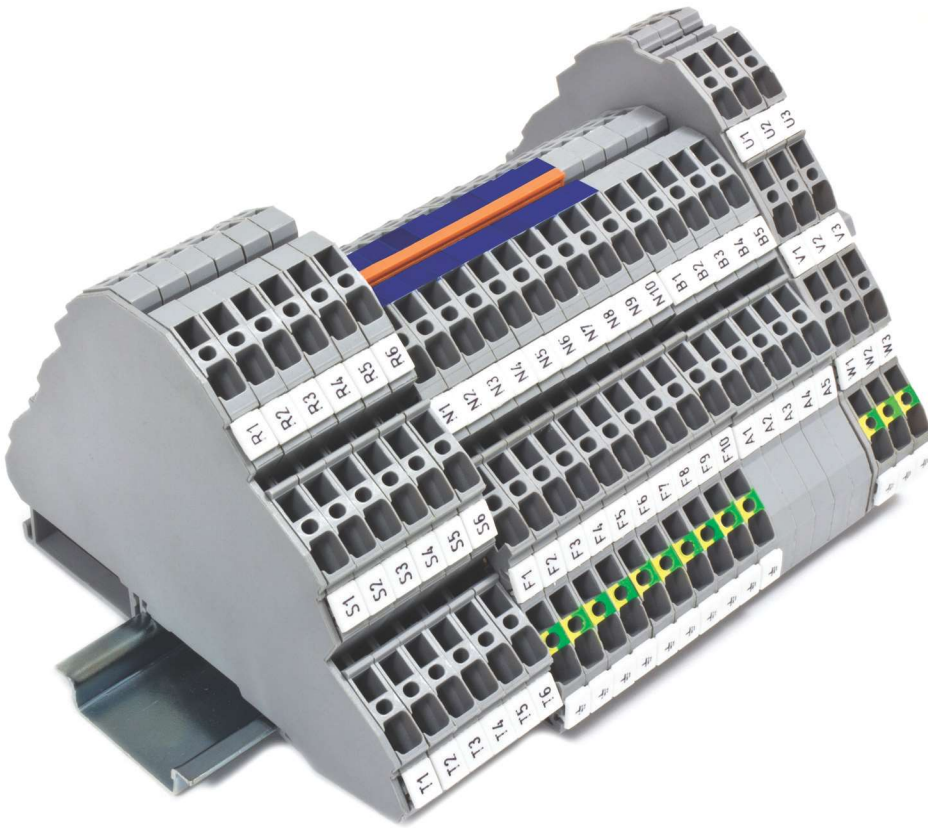
YBK Series Double - Deck / Multilevel Terminals

YBK Series Spring Clamp Double Deck Rail Terminals are available in 2,5 - 4 mm² cross-section range. Double wiring density available without extension of mounting rails. Interconnection / shorting can be done at both levels. Special Marking solutions for each cross section can be provided by Plotter Labeling.



YBK Series Spring Clamp Multilevel Terminals make wiring more practical, reduce the installation costs and speed the wiring. Panels which exist switch lines & lightning, provide phase-neutral-Earth connection in one terminal. Are ideal for usage in industries where motors are working a lot, because of more practical wiring. Provide individual cross connections for each layer. Group marking carrier is used to provide more visual marking in base layer. Special Marking solutions for each cross section can be provided by Plotter Labeling.

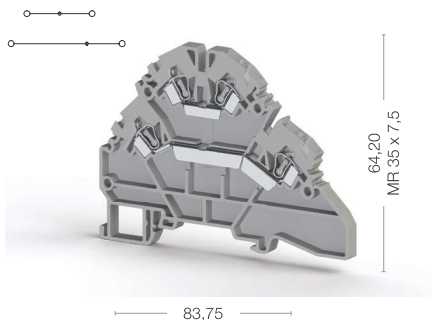




Double - Deck Spring Clamp Terminals

YBK 2,5 - 2 F

Width: 5 mm

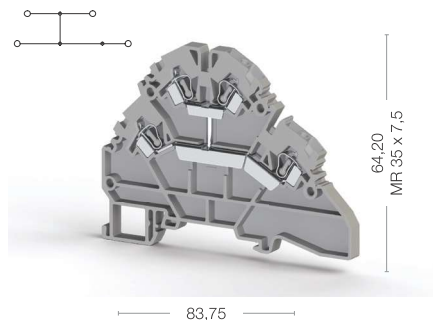


Cat No:

- 316 109
- 316 100

YBK 2,5 - 2 FK

Width: 5 mm



Cat No:

- 316 129
- 316 120



Electrical Ratings
CE (EN 60947-7-1)
UL
VDE (IEC 60947-7-1)
CSA
ATEX

Voltage, V ~	Current, A	Cross-Section
500	24	2,5 mm ²
600	24	AWG 22-12

Voltage, V ~	Current, A	Cross-Section
500	24	2,5 mm ²

Connection Data
Conductor cross section solid (min.-max.)
Conductor cross section stranded (min.-max.)
2 conductors with same cross section, stranded, TWIN ferrules with plastic sleeve
AWG Conductor
Insulation Stripping Length (min.-max.)
Screwdriver

0,08-4 mm ²
0,08-2,5 mm ²
0,5 mm ²
AWG 28-12
9-10 mm
KT 2 (0,5x3,0)

0,08-4 mm ²
0,08-2,5 mm ²
0,5 mm ²
AWG 28-12
9-10 mm
KT 2 (0,5x3,0)

Ordering Data

Technical Data For Diode
Diode Reverse Voltage
Diode Current
Diod



Type	Cat.No.	Qty.
NPP YBK 2,5-2 F	446 299	10

Type	Cat.No.	Qty.
NPP YBK 2,5-2 F	446 299	10



Type	Cat.No.	Qty.
UK 2,5/2	476 222	25
UK 2,5/3	476 223	20
UK 2,5/4	476 224	15
UK 2,5/10	476 229	5
UK 2,5/16	474 260	10
UK 2,5/20	474 200	10

Type	Cat.No.	Qty.
UK 2,5/2	476 222	25
UK 2,5/3	476 223	20
UK 2,5/4	476 224	15
UK 2,5/10	476 229	5
UK 2,5/16	474 260	10
UK 2,5/20	474 200	10

Note: Only lower decks can be cross-connected

Technical Data
Rated Impulse Voltage / Pollution severity
Insulation material group / Gauge pin code according to IEC 60947-1
Protection class / Protection conductor type
Marking Tags (Dekafix)
See pages 326-333 for a list of Dekafix

8/3
1/A3
IP 20 / -
D-NS 5x6, DB 5, DG 6/5

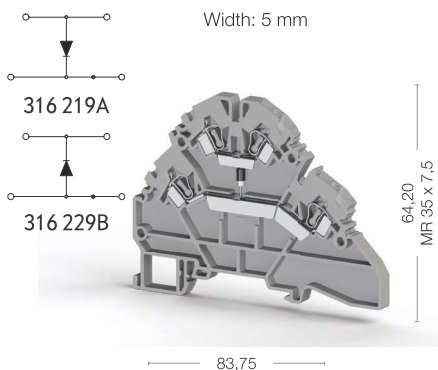
8/3
1/A3
IP 20 / -
D-NS 5x6, DB 5, DG 6/5

Package Quantity
30 pcs.

30 pcs.

30 pcs.

YBK 2,5 - 2 FD



Cat No:

- 316 219 / 229
- 316 210 / 220

Voltage, V ~	Current, A	Cross-Section
500	1	2,5 mm ²

0,08-4 mm ²
0,08-2,5 mm ²
0,5 mm ²
AWG 28-12
9-10 mm
KT 2 (0,5x3,0)

Type	Cat.No.	Qty.
YBK 2,5-2 FD-A	316 219	30
YBK 2,5-2 FD-B	316 229	30

1000 V
1 A
1 N 4007

Type	Cat.No.	Qty.
NPP YBK 2,5-2 F	446 299	10

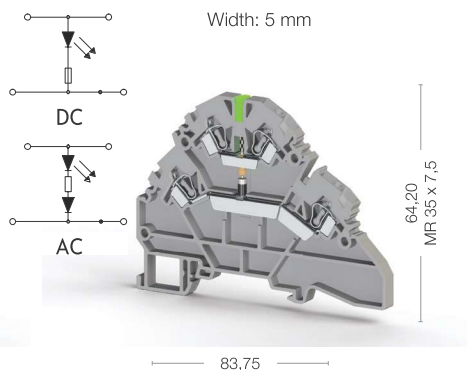
Type	Cat.No.	Qty.
UK 2,5/2	476 222	25
UK 2,5/3	476 223	20
UK 2,5/4	476 224	15
UK 2,5/10	476 229	5
UK 2,5/16	474 260	10
UK 2,5/20	474 200	10

Note: Only lower decks can be cross-connected

8/3
1/A3
IP 20 / -
D-NS 5x6, DB 5, DG 6/5

30 pcs.

YBK 2,5 - 2 FLD



Cat No:

- 316 319
- 316 310

Voltage, V ~	Current, A	Cross-Section
	24	2,5 mm ²

0,08-4 mm ²
0,08-2,5 mm ²
0,5 mm ²
AWG 28-12
9-10 mm
KT 2 (0,5x3,0)

Type	Cat.No.	Qty.
YBK 2,5 FLD (24V AC)	316 319	30
YBK 2,5 FLD (24V DC)	316 329	30
YBK 2,5 FLD (48V AC)	316 419	30
YBK 2,5 FLD (48V DC)	316 429	30
YBK 2,5 FLD (110V AC)	316 619	30
YBK 2,5 FLD (110V DC)	316 629	30
YBK 2,5 FLD (220V AC)	316 719	30
YBK 2,5 FLD (220V DC)	316 729	30

1000 V
1 A
1 N 4007

Type	Cat.No.	Qty.
NPP YBK 2,5-2 F	446 299	10

Type	Cat.No.	Qty.
UK 2,5/2	476 222	25
UK 2,5/3	476 223	20
UK 2,5/4	476 224	15
UK 2,5/10	476 229	5
UK 2,5/16	474 260	10
UK 2,5/20	474 200	10

Note: Only lower decks can be cross-connected

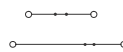
8/3
1/A3
IP 20 / -
D-NS 5x6, DB 5, DG 6/5

30 pcs.

Double - Deck Spring Clamp Terminals

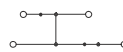
YBK 4 - 2 F

Width: 6 mm



YBK 4 - 2 FK

Width: 6 mm



Cat No:

- 318 109
- 318 100

Cat No:

- 318 129
- 318 120



Electrical Ratings
CE (EN 60947-7-1)
UL
VDE (IEC 60947-7-1)
CSA
ATEX

Voltage, V ~	Current, A	Cross-Section
750	32	4 mm ²
600	26	AWG 22-10

Voltage, V ~	Current, A	Cross-Section
750	32	4 mm ²

Connection Data	
Conductor cross section solid (min.-max.)	0,08-6 mm ²
Conductor cross section stranded (min.-max.)	0,08-4 mm ²
2 conductors with same cross section, stranded, TWIN ferrules with plastic sleeve	1 mm ²
AWG Conductor	AWG 28-10
Insulation Stripping Length (min.-max.)	10-12 mm
Screwdriver	KT 3 (0,6x3,5)

Connection Data	
Conductor cross section solid (min.-max.)	0,08-6 mm ²
Conductor cross section stranded (min.-max.)	0,08-4 mm ²
2 conductors with same cross section, stranded, TWIN ferrules with plastic sleeve	1 mm ²
AWG Conductor	AWG 28-10
Insulation Stripping Length (min.-max.)	10-12 mm
Screwdriver	KT 3 (0,6x3,5)

Connection Data	
Conductor cross section solid (min.-max.)	0,08-6 mm ²
Conductor cross section stranded (min.-max.)	0,08-4 mm ²
2 conductors with same cross section, stranded, TWIN ferrules with plastic sleeve	1 mm ²
AWG Conductor	AWG 28-10
Insulation Stripping Length (min.-max.)	10-12 mm
Screwdriver	KT 3 (0,6x3,5)

Ordering Data

Technical Data For Diode
Diode Reverse Voltage
Diode Current
Diod



Type	Cat.No.	Qty.
NPP YBK 2,5-2 F	446 269	25

Type	Cat.No.	Qty.
NPP YBK 4-2 F	446 269	25



Type	Cat.No.	Qty.
UK 4/2	476 232	25
UK 4/3	476 233	20
UK 4/4	476 234	15
UK 4/10	476 239	5

Type	Cat.No.	Qty.
UK 4/2	476 232	25
UK 4/3	476 233	20
UK 4/4	476 234	15
UK 4/10	476 239	5

Note: Only lower decks can be cross-connected

Technical Data
Rated Impulse Voltage / Pollution severity
Insulation material group / Gauge pin code according to IEC 60947-1
Protection class / Protection conductor type
Marking Tags (Dekafix)
See pages 326-333 for a list of Dekafix

8/3
1/A4
IP 20 / -
D-NS 6x10, DB 10/6, DG 10/6, DG 10/6T

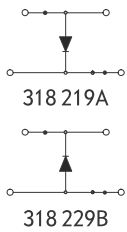
8/3
1/A4
IP 20 / -
D-NS 6x10, DB 10/6, DG 10/6, DG 10/6T

Package Quantity
50 pcs.

50 pcs.

Package Quantity
20 pcs.

YBK 4 - 2 FD



Width: 6 mm



55,40
MR 35 x 7,5

90,30

Cat No:

- 318 219 / 229
- 318 210 / 220

Voltage, V ~	Current, A	Cross-Section
750	1	4 mm ²

	0,08-6 mm ²	
	0,08-4 mm ²	
	1 mm ²	
	AWG 28-10	
	10-12 mm	
	KT 3 (0,6x3,5)	

Type	Cat.No.	Qty.

	1000 V	
	1 A	
	1 N 4007	

Type	Cat.No.	Qty.
NPP YBK 4-2 F	446 269	25

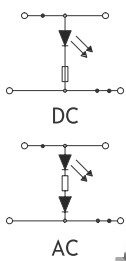
Type	Cat.No.	Qty.
UK 4/2	476 232	25
UK 4/3	476 233	20
UK 4/4	476 234	15
UK 4/10	476 239	5

Note: Only lower decks can be cross-connected

	8/3	
	1/A4	
	IP 20 / -	
	D-NS 6x10, DB 10/6, DG 10/6, DG 10/6T	

20 pcs.

YBK 4 - 2 FLD



Width: 6 mm



55,40
MR 35 x 7,5

90,30

Cat No:

- 318 319
- 318 310

Voltage, V ~	Current, A	Cross-Section
	32	4 mm ²

	0,08-6 mm ²	
	0,08-4 mm ²	
	1 mm ²	
	AWG 28-10	
	10-12 mm	
	KT 3 (0,6x3,5)	

Type	Cat.No.	Qty.
YBK 4-2 FLD (24V AC)	318 319	20
YBK 4-2 FLD (24V DC)	318 329	20
YBK 4-2 FLD (48V AC)	318 419	20
YBK 4-2 FLD (48V DC)	318 429	20
YBK 4-2 FLD (110V AC)	318 619	20
YBK 4-2 FLD (110V DC)	318 629	20
YBK 4-2 FLD (220V AC)	318 719	20
YBK 4-2 FLD (220V DC)	318 729	20

	1000 V	
	1 A	
	1 N 4007	

Type	Cat.No.	Qty.
NPP YBK 4-2 F	446 269	25

Type	Cat.No.	Qty.
UK 4/2	476 232	25
UK 4/3	476 233	20
UK 4/4	476 234	15
UK 4/10	476 239	5

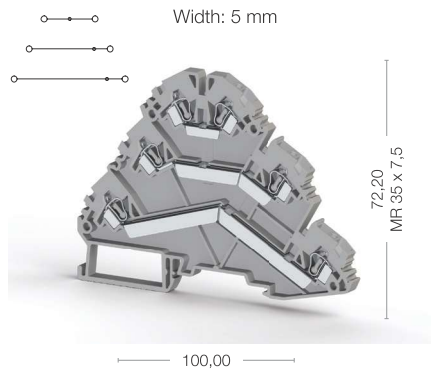
Note: Only lower decks can be cross-connected

	8/3	
	1/A4	
	IP 20 / -	
	D-NS 6x10, DB 10/6, DG 10/6, DG 10/6T	

20 pcs.

Spring Clamp Multilevel Terminals

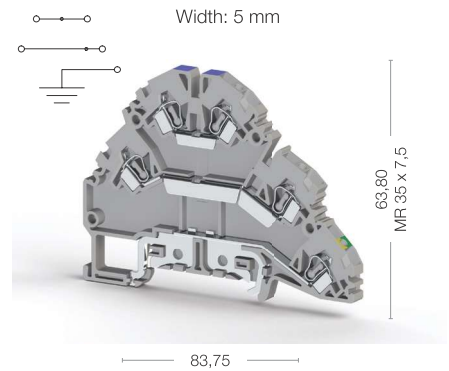
YBK 2,5 - 3 F



Cat No:

- 324 509
- 324 500

YBK 2,5 - 2 FT



Cat No:

- 324 809
- 324 800



Electrical Ratings
CE (EN 60947-7-1 / EN 60947-7-2)
UL
VDE (IEC 60947-7-1)
CSA
ATEX

Voltage, V ~	Current, A	Cross-Section
500	24	2,5 mm ²
600	20	AWG 22-12

Voltage, V ~	Current, A	Cross-Section
500	24	2,5 mm ²
600	20	AWG 22-12

Connection Data	
Conductor cross section solid (min.-max.)	0,08-4 mm ²
Conductor cross section stranded (min.-max.)	0,08-2,5 mm ²
2 conductors with same cross section, stranded, TWIN ferrules with plastic sleeve	0,5 mm ²
AWG Conductor	AWG 28-12
Insulation Stripping Length (min.-max.)	9-10 mm
Screwdriver	KT 2 (0,5x3,0)

Type	Cat.No.	Qty.
NPP YBK 2,5-3 F	446 249	10

Type	Cat.No.	Qty.
NPP YBK 2,5-2 T	446 299	10



Technical Data	
Rated Impulse Voltage / Pollution severity	6/3
Insulation material group / Gauge pin code according to IEC 60947-1	1/A3
Protection class / Protection conductor type	IP 20 / -
Marking Tags (Dekafix)	
See pages 326-333 for a list of Dekafix	D-NS 5x6, DB 5, DG 6/5

Type	Cat.No.	Qty.
UK 2,5/2	476 222	25
UK 2,5/3	476 223	20
UK 2,5/4	476 224	15
UK 2,5/10	476 229	5
UK 2,5/16	474 260	10
UK 2,5/20	474 200	10

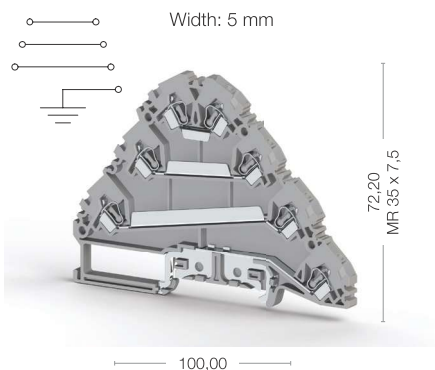
Type	Cat.No.	Qty.
UK 2,5/2	476 222	25
UK 2,5/3	476 223	20
UK 2,5/4	476 224	15
UK 2,5/10	476 229	5
UK 2,5/16	474 260	10
UK 2,5/20	474 200	10

Package Quantity
30 pcs.

30 pcs.

Package Quantity
30 pcs.

YBK 2,5 - 3 FT



Cat No:

- 324 609
- 324 600

Voltage, V ~	Current, A	Cross-Section
500	24	2,5 mm ²
600	20	AWG 22-12

0,08-4 mm ²
0,08-2,5 mm ²
0,5 mm ²
AWG 28-12
9-10 mm
KT 2 (0,5x3,0)

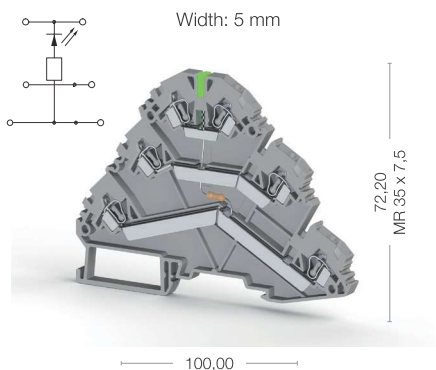
Type	Cat.No.	Qty.
NPP YBK 2,5-3 FT	446 259	10

Type	Cat.No.	Qty.
UK 2,5/2	476 222	25
UK 2,5/3	476 223	20
UK 2,5/4	476 224	15
UK 2,5/10	476 229	5
UK 2,5/16	474 260	10
UK 2,5/20	474 200	10

6/3
1/A3
IP 20 / -
D-NS 5x6, DB 5, DG 6/5

20 pcs.

YBK 2,5 - 3 FLD (NPN)



Cat No:

- 324 739
- 324 730

Voltage, V ~	Current, A	Cross-Section
24	24	2,5 mm ²

0,08-4 mm ²
0,08-2,5 mm ²
0,5 mm ²
AWG 28-12
9-10 mm
KT 2 (0,5x3,0)

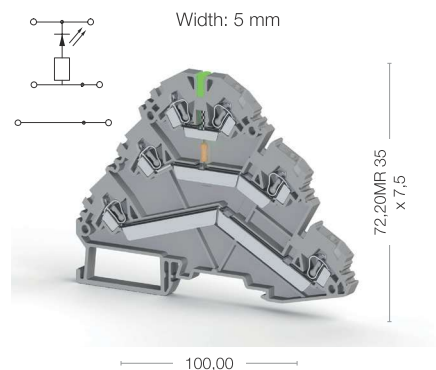
Type	Cat.No.	Qty.
NPP YBK 2,5-3 F	446 249	10

Type	Cat.No.	Qty.
UK 2,5/2	476 222	25
UK 2,5/3	476 223	20
UK 2,5/4	476 224	15
UK 2,5/10	476 229	5
UK 2,5/16	474 260	10
UK 2,5/20	474 200	10

6/3
1/A3
IP 20 / -
D-NS 5x6, DB 5, DG 6/5

20 pcs.

YBK 2,5 - 3 FLD (PNP)



Cat No:

- 324 749
- 324 740

Voltage, V ~	Current, A	Cross-Section
24	24	2,5 mm ²

0,08-4 mm ²
0,08-2,5 mm ²
0,5 mm ²
AWG 28-12
9-10 mm
KT 2 (0,5x3,0)

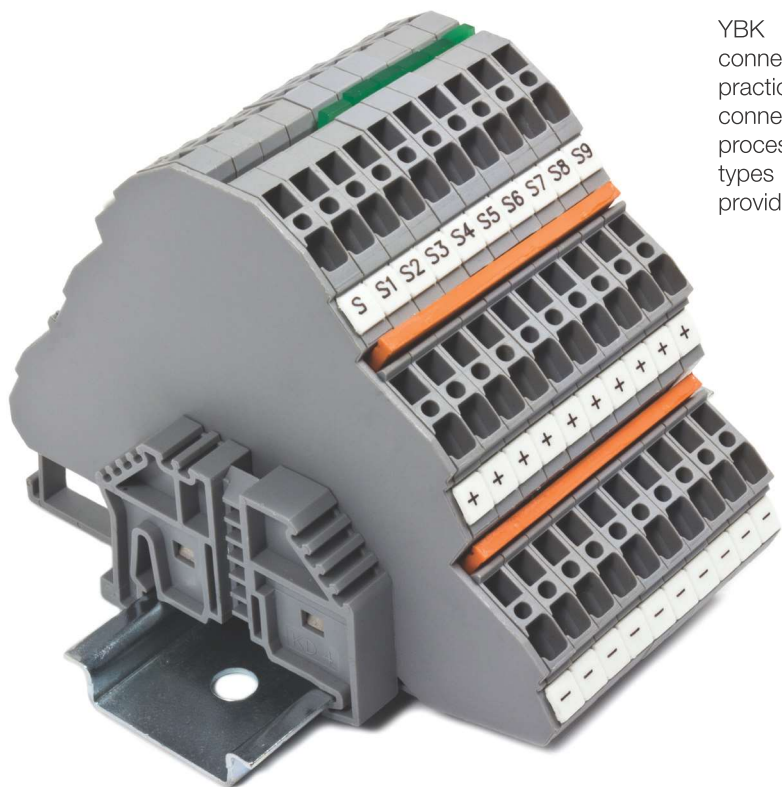
Type	Cat.No.	Qty.
NPP YBK 2,5-3 F	446 249	10

Type	Cat.No.	Qty.
UK 2,5/2	476 222	25
UK 2,5/3	476 223	20
UK 2,5/4	476 224	15
UK 2,5/10	476 229	5
UK 2,5/16	474 260	10
UK 2,5/20	474 200	10

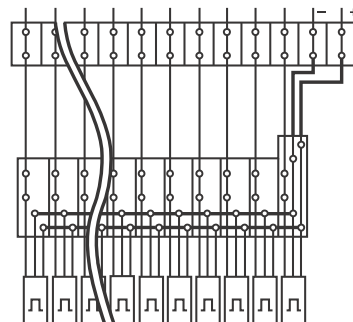
6/3
1/A3
IP 20 / -
D-NS 5x6, DB 5, DG 6/5

20 pcs.

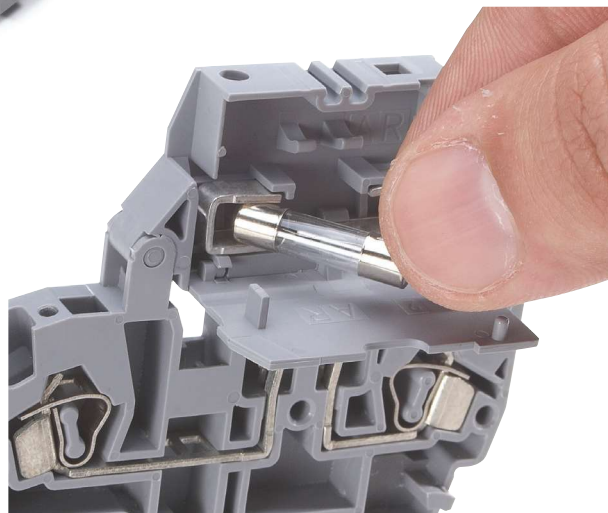
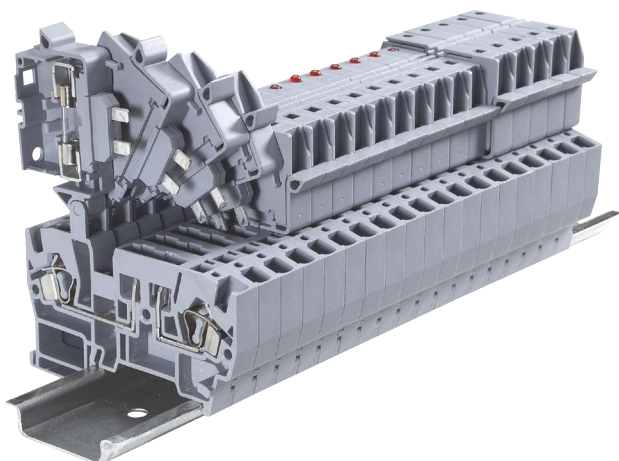
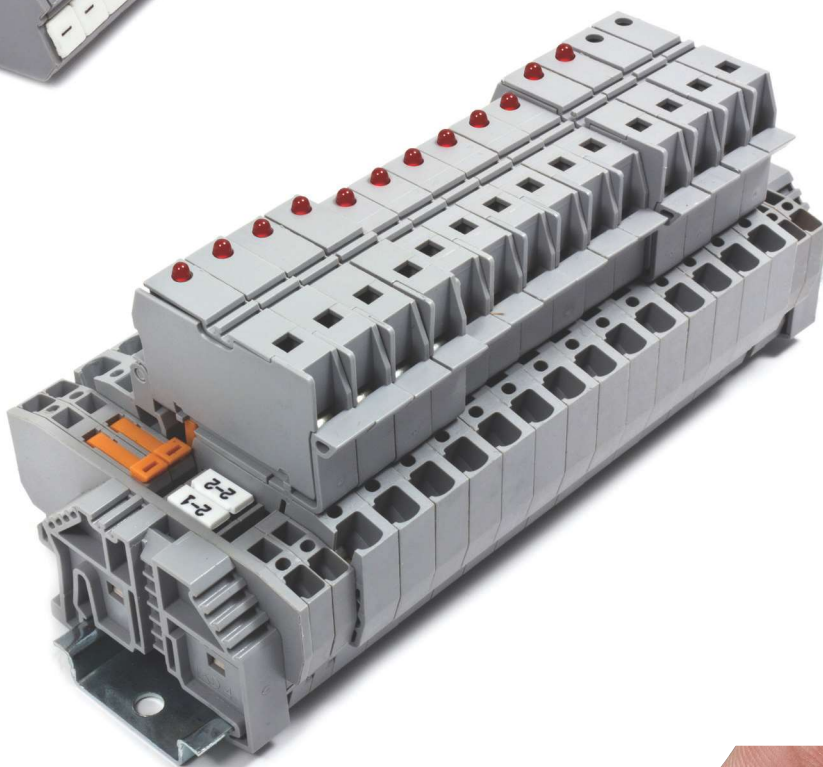
Sensor / Fuse / Disconnect Terminals



YBK Series Sensor Terminals are making sensor connections, which are often used in industry, more practical and esthetic. Provide individual cross connections for each layer, time saving in mounting process. Terminals can be used with NPN and PNP types of sensors. Special Marking solutions can be provided by Plotter Labeling.

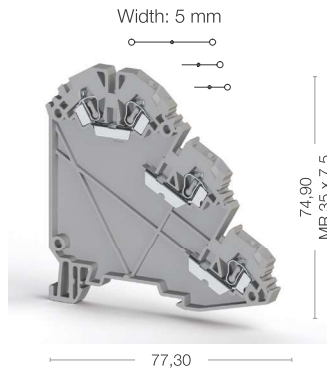


Spring Clamp Fuse Terminals has a sliding type hinged carrier that has a specially designed space for cartridge type glass fuse of size \varnothing 5x20 or \varnothing 5x25 together with a spare one. Cross connection is available. Special Marking solutions can be provided by Plotter Labeling. LED alarm can be chosen, according to specified operating voltage of the product.



Spring Type Sensor Terminals

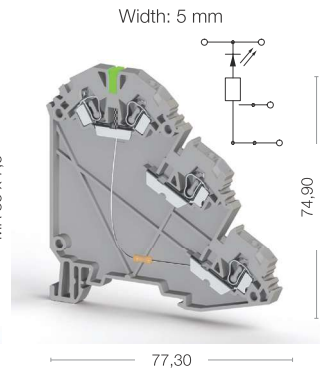
YBK 3 S



Cat No:

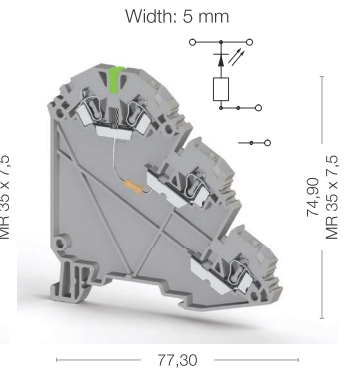
- 324 709
- 324 700

YBK 3 SLD (NPN) YBK 3 SLD (PNP)



Cat No:



- 324 719
- 324 710



Cat No:

- 324 729
- 324 720

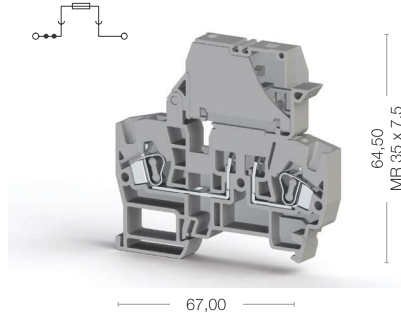


Electrical Ratings	Voltage, V ~	Current, A	Cross-Section	Voltage, V ~	Current, A	Cross-Section	Voltage, V ~	Current, A	Cross-Section
CE (EN 60947-7-1)	500	24	2,5 mm ²	24	24	2,5 mm ²	24	24	2,5 mm ²
UL	500	24	AWG 22-12						
VDE (IEC 60947-7-1)									
CSA									
ATEX									
Connection Data									
Conductor cross section solid (min.-max.)	0,08-4 mm ²			0,08-4 mm ²			0,08-4 mm ²		
Conductor cross section stranded (min.-max.)	0,08-2,5 mm ²			0,08-2,5 mm ²			0,08-2,5 mm ²		
2 conductors with same cross section, stranded, TWIN ferrules with plastic sleeve	0,5 mm ²			0,5 mm ²			0,5 mm ²		
AWG Conductor	AWG 28-12			AWG 28-12			AWG 28-12		
Insulation Stripping Length (min.-max.)	9-10 mm			9-10 mm			9-10 mm		
Screwdriver	KT 2 (0,5x3,0)			KT 2 (0,5x3,0)			KT 2 (0,5x3,0)		
End Plate									
	Type	Cat.No.	Qty.	Type	Cat.No.	Qty.	Type	Cat.No.	Qty.
	NPP YBK 3 S	446 289	10	NPP YBK 3 S	446 289	10	NPP YBK 3 S	446 289	10
Push-in Cross Connection									
	Type	Cat.No.	Qty.	Type	Cat.No.	Qty.	Type	Cat.No.	Qty.
	UK 2,5/2	476 222	25	UK 2,5/2	476 222	25	UK 2,5/2	476 222	25
	UK 2,5/3	476 223	20	UK 2,5/3	476 223	20	UK 2,5/3	476 223	20
	UK 2,5/4	476 224	15	UK 2,5/4	476 224	15	UK 2,5/4	476 224	15
	UK 2,5/10	476 229	5	UK 2,5/10	476 229	5	UK 2,5/10	476 229	5
	UK 2,5/16	474 260	10	UK 2,5/16	474 260	10	UK 2,5/16	474 260	10
	UK 2,5/20	474 200	10	UK 2,5/20	474 200	10	UK 2,5/20	474 200	10
Technical Data									
Rated Impulse Voltage / Pollution severity	6/3			6/3			6/3		
Insulation material group / Gauge pin code according to IEC 60947-1	1/A3			1/A3			1/A3		
Protection class / Protection conductor type	IP 20 / -			IP 20 / -			IP 20 / -		
Marking Tags (Dekafix)									
See pages 326-333 for a list of Dekafix	D-NS 5x6, DB 5, DG 6/5			D-NS 5x6, DB 5, DG 6/5			D-NS 5x6, DB 5, DG 6/5		
Package Quantity									
	20 pcs.			20 pcs.			20 pcs.		

Spring Clamp Fuse and Disconnect Terminals

YBK S

Width: 8 mm

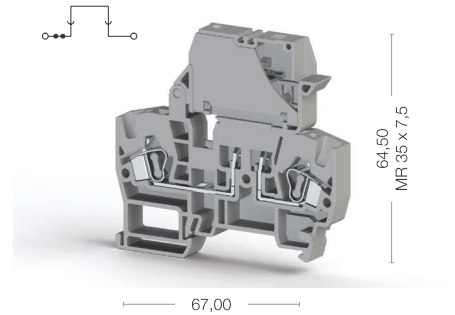


Cat No:

355 119
325 110

YBK SB

Width: 8 mm



Cat No:

363 109
363 100



Electrical Ratings	Voltage, V ~	Current, A	Cross-Section	Voltage, V ~	Current, A	Cross-Section
CE (EN 60947-7-1 / EN 60947-7-3)	500	10	4 mm ²	500	10	4 mm ²
UL	600	10	AWG 22-10	600	10	AWG 22-10
VDE (IEC 60947-7-1)						
CSA						
ATEX						

Connection Data						
Conductor cross section solid (min.-max.)		0,08-6 mm ²			0,08-6 mm ²	
Conductor cross section stranded (min.-max.)		0,08-4 mm ²			0,08-4 mm ²	
2 conductors with same cross section, stranded, TWIN ferrules with plastic sleeve		1 mm ²			1 mm ²	
AWG Conductor		AWG 22-10			AWG 28-10	
Insulation Stripping Length (min.-max.)		10-12 mm			10-12 mm	
Screwdriver		KT 3 (0,6x3,5)			KT 3 (0,6x3,5)	

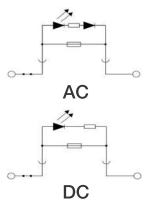
Ordering Data						

End Plate	Type	Cat.No.	Qty.	Type	Cat.No.	Qty.
	NPP/YBK S	450 069	10	NPP/YBK S	450 069	10

Push-in Cross Connection	Type	Cat.No.	Qty.	Type	Cat.No.	Qty.
	UK 6/2	476 242	25	UK 6/2	476 242	25
	UK 6/3	476 243	20	UK 6/3	476 243	20
	UK 6/4	476 244	15	UK 6/4	476 244	15
	UK 6/10	476 249	5	UK 6/10	476 249	5

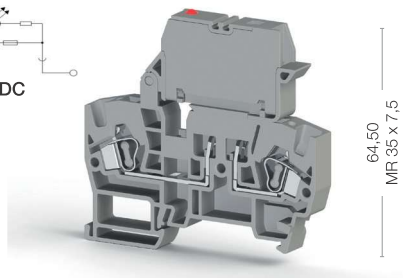
Technical Data		
Rated Impulse Voltage / Pollution severity	6/3	6/3
Insulation material group / Gauge pin code according to IEC 60947-1	1/A4	1/A4
Protection class / Protection conductor type	IP 20 / -	IP 20 / -
Fuse / Fuse Type	G/5x20 - 5x25 / Glass	
Marking Tags (Dekafix)		
See pages 326-333 for a list of Dekafix	D-NS 5x6, DB 5, DG 6/5	D-NS 5x6, DB 5, DG 6/5

Package Quantity		
	20 pcs.	20 pcs.



YBK SLD

Width: 8 mm



67,00

Cat No:

- 355 719
- 355 710

Voltage, V ~	Current, A	Cross-Section
	10	4 mm ²
	10	AWG 22-10

0,08-6 mm ²
0,08-4 mm ²
1 mm ²
AWG 28-10
10-12 mm
KT 3 (0,6x3,5)

Type	Cat.No.	Qty.
YBK SLD (24V AC)	355 719	20
YBK SLD (24V DC)	355 729	20
YBK SLD (48V AC)	355 739	20
YBK SLD (48V DC)	355 749	20
YBK SLD (110V AC)	355 759	20
YBK SLD (110V DC)	355 769	20
YBK SLD (220V AC)	355 779	20
YBK SLD (220V DC)	355 789	20

Type	Cat.No.	Qty.
NPP/YBK S	450 069	10

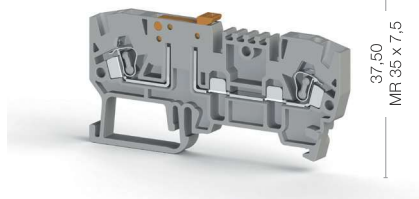
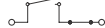
Type	Cat.No.	Qty.
UK 6/2	476 242	25
UK 6/3	476 243	20
UK 6/4	476 244	15
UK 6/10	476 249	5

6/3
1/A4
IP 20 / -
G/5x20 - 5x25 / Glass
D-NS 5x6, DB 5, DG 6/5

20 pcs.

YBK 2,5 A

Width: 5 mm



69,10

Cat No:

- 353 209
- 353 200

Voltage, V ~	Current, A	Cross-Section
750	16	2,5 mm ²
600	20	AWG 22-12

0,08-4 mm ²
0,08-2,5 mm ²
0,5 mm ²
AWG 28-12
9-10 mm
KT 2 (0,5x3,0)

Type	Cat.No.	Qty.

Type	Cat.No.	Qty.
NPP/YBK 2,5 A	450 219	10

Type	Cat.No.	Qty.
UK 2,5/2	476 222	25
UK 2,5/3	476 223	20
UK 2,5/4	476 224	15
UK 2,5/10	476 229	5
UK 2,5/16	474 260	10
UK 2,5/20	474 200	10

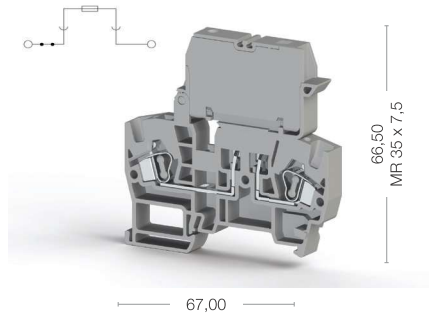
8/3
1/A3
IP 20 / -
D-NS 5x10, DB 10/5, DG 10/5, DG 10/5T

50 pcs.

Spring Clamp Fuse and Disconnect Terminals

YBK I

Width: 8 mm

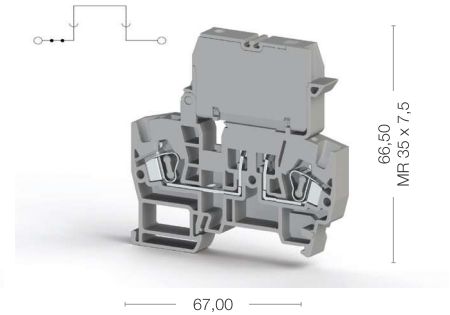


Cat No:

- 355 129
- 355 120

YBK IB

Width: 8 mm



Cat No:


- 363 209
- 363 200




Electrical Ratings	Voltage, V ~	Current, A	Cross-Section	Voltage, V ~	Current, A	Cross-Section
CE (EN 60947-7-1/ EN 60947-7-3)	500	10	4 mm ²	500	10	4 mm ²
UL	600	10	AWG 22-10	600	10	AWG 22-10
VDE (IEC 60947-7-1)						
CSA						
ATEX						

Connection Data			
Conductor cross section solid (min.-max.)	0,08-6 mm ²		0,08-6 mm ²
Conductor cross section stranded (min.-max.)	0,08-4 mm ²		0,08-4 mm ²
2 conductors with same cross section, stranded, TWIN ferrules with plastic sleeve	1 mm ²		1 mm ²
AWG Conductor	AWG 28-10		AWG 28-10
Insulation Stripping Length (min.-max.)	10-12 mm		10-12 mm
Screwdriver	KT 3 (0,6x3,5)		KT 3 (0,6x3,5)

Ordering Data						

End Plate	Type	Cat.No.	Qty.	Type	Cat.No.	Qty.
	NPP/YBK S	450 069	10	NPP/YBK S	450 069	10

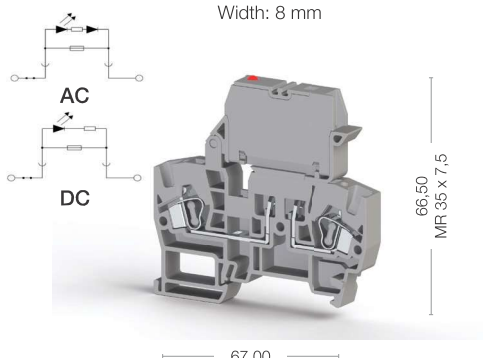
Push-in Cross Connection	Type	Cat.No.	Qty.	Type	Cat.No.	Qty.
	UK 6/2	476 242	25	UK 6/2	476 242	25
	UK 6/3	476 243	20	UK 6/3	476 243	20
	UK 6/4	476 244	15	UK 6/4	476 244	15
	UK 6/10	476 249	5	UK 6/10	476 249	5

Technical Data		
Rated Impulse Voltage / Pollution severity	6/3	6/3
Insulation material group / Gauge pin code according to IEC 60947-1	1/A4	1/A4
Protection class / Protection conductor type	IP 20 / -	IP 20 / -
Fuse / Fuse Type	G/6,35x31,75	
Marking Tags (Dekafix)		
See pages 326-333 for a list of Dekafix	D-NS 5x6, DB 5, DG 6/5	D-NS 5x6, DB 5, DG 6/5

Package Quantity		
	20 pcs.	20 pcs.

YBK ILD

Width: 8 mm



Cat No:

- 355 819
- 355 810

Voltage, V ~	Current, A	Cross-Section
	10	4 mm ²
	10	AWG 22-10

0,08-6 mm ²
0,08-4 mm ²
1 mm ²
AWG 28-10
10-12 mm
KT 3 (0,6x3,5)

Type	Cat.No.	Qty.
YBK ILD (24 VAC)	355 819	20
YBK ILD (24 VDC)	355 829	20
YBK ILD (48 VAC)	355 839	20
YBK ILD (48 VDC)	355 849	20
YBK ILD (110 VAC)	355 859	20
YBK ILD (110 VDC)	355 869	20
YBK ILD (220 VAC)	355 879	20
YBK ILD (220 VDC)	355 889	20

Type	Cat.No.	Qty.
NPP/YBK S	450 069	10

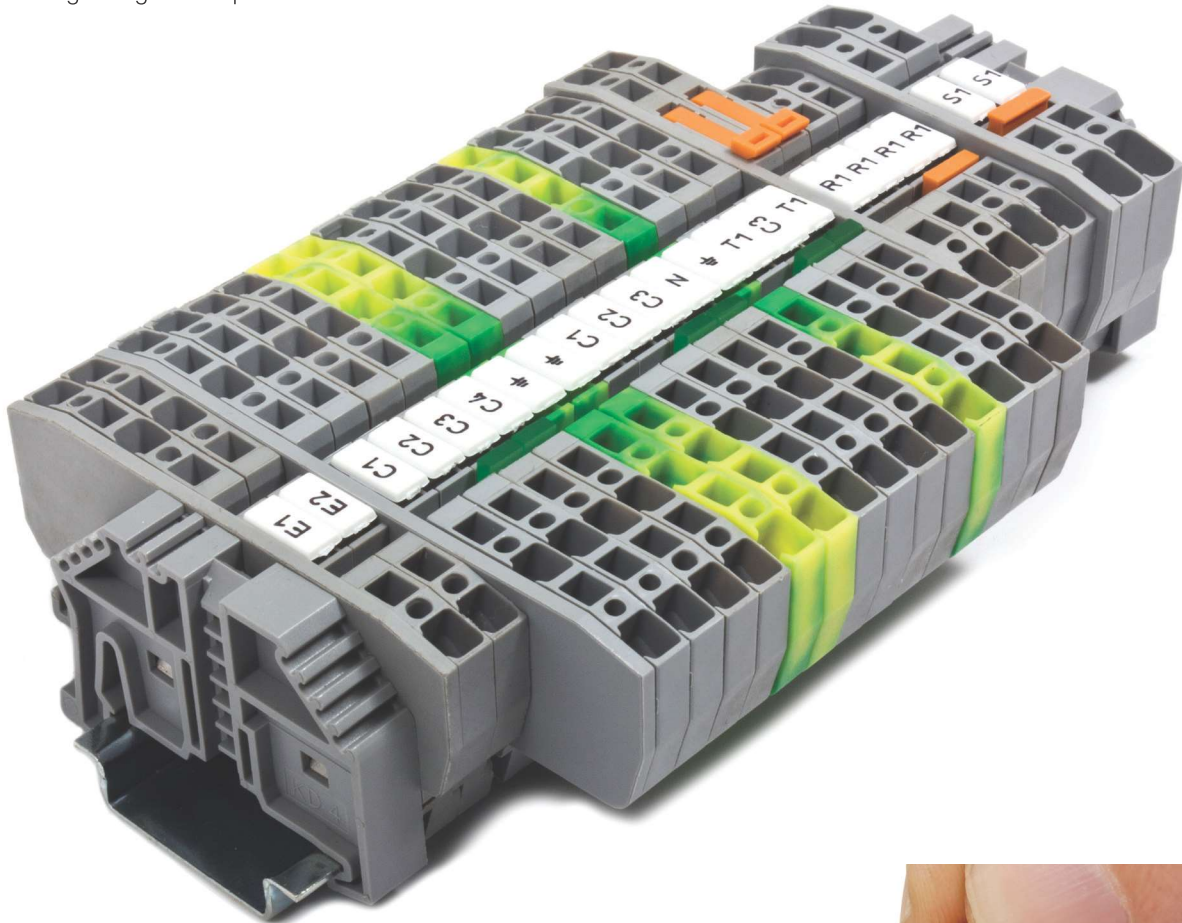
Type	Cat.No.	Qty.
UK 6/2	476 242	25
UK 6/3	476 243	20
UK 6/4	476 244	15
UK 6/10	476 249	5

6/3
1/A4
IP 20 / -
G/6,35x31,75
D-NS 5x6, DB 5, DG 6/5

20 pcs.

YBK Series Multi input/output Terminals

Spring Clamp one-level, multi input-output Terminals are suitable for usage in panels, with limited depth, where multilevel terminals cannot be used. Single-level terminals can be marked and cross-connected together with all other YBK series terminals; can be used together with test Terminals. Earth Terminals are available for some cross-sections and specifications. Special Marking solutions can be provided by Plotter Labeling. LED alarm can be chosen, according to specified operating voltage of the product.



One input - Two Output Two input - Two Output Spring Clamp Terminals

YBK 2,5 E

Width: 5 mm



66,60

Cat No:

- 326 059
- 326 050

YBK 2,5 C

Width: 5 mm



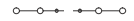
81,40

Cat No:

- 326 109
- 326 100

YBK 2,5 CX2

Width: 5 mm



81,40

Cat No:

- 326 209
- 326 200



Electrical Ratings
CE (EN 60947-7-1)
UL
VDE (IEC 60947-7-1)
CSA
ATEX

Voltage, V ~	Current, A	Cross-Section
750	24	2,5 mm ²
600	20	AWG 22-12

Voltage, V ~	Current, A	Cross-Section
750	24	2,5 mm ²
600	20	AWG 22-12

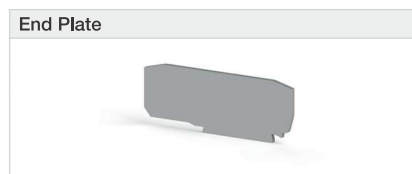
Voltage, V ~	Current, A	Cross-Section
750	24	2,5 mm ²

Connection Data	
Conductor cross section solid (min.-max.)	0,08-4 mm ²
Conductor cross section stranded (min.-max.)	0,08-2,5 mm ²
2 conductors with same cross section, stranded, TWIN ferrules with plastic sleeve	0,5 mm ²
AWG Conductor	AWG 28-12
Insulation Stripping Length (min.-max.)	9-10 mm
Screwdriver	KT 2 (0,5x3,0)

	0,08-4 mm ²
	0,08-2,5 mm ²
	0,5 mm ²
	AWG 28-12
	9-10 mm
	KT 2 (0,5x3,0)

	0,08-4 mm ²
	0,08-2,5 mm ²
	0,5 mm ²
	AWG 28-12
	9-10 mm
	KT 2 (0,5x3,0)

	0,08-4 mm ²
	0,08-2,5 mm ²
	0,5 mm ²
	AWG 28-12
	9-10 mm
	KT 2 (0,5x3,0)



Type	Cat.No.	Qty.
NPP/YBK 2,5 E	446 219	10

Type	Cat.No.	Qty.
NPP/YBK 2,5 C	446 279	10

Type	Cat.No.	Qty.
NPP/YBK 2,5 C	446 279	25



Type	Cat.No.	Qty.
UK 2,5/2	476 222	25
UK 2,5/3	476 223	20
UK 2,5/4	476 224	15
UK 2,5/10	476 229	5
UK 2,5/16	474 260	10
UK 2,5/20	474 200	10

Type	Cat.No.	Qty.
UK 2,5/2	476 222	25
UK 2,5/3	476 223	20
UK 2,5/4	476 224	15
UK 2,5/10	476 229	5
UK 2,5/16	474 260	10
UK 2,5/20	474 200	10

Type	Cat.No.	Qty.
UK 2,5/2	476 222	25
UK 2,5/3	476 223	20
UK 2,5/4	476 224	15
UK 2,5/10	476 229	5
UK 2,5/16	474 260	10
UK 2,5/20	474 200	10

Technical Data	
Rated Impulse Voltage / Pollution severity	8/3
Insulation material group / Gauge pin code according to IEC 60947-1	1/A3
Protection class / Protection conductor type	IP 20 / -
Marking Tags (Dekafix)	
See pages 326-333 for a list of Dekafix	D-NS 5x10, DB 10/5, DG 10/5, DG 10/5T

	8/3
	1/A3
	IP 20 / -
	D-NS 5x10, DB 10/5, DG 10/5, DG 10/5T

	8/3
	1/A3
	IP 20 / -
	D-NS 5x10, DB 10/5, DG 10/5, DG 10/5T

	8/3
	1/A3
	IP 20 / -
	D-NS 5x10, DB 10/5, DG 10/5, DG 10/5T

Package Quantity
50 pcs.

50 pcs.

50 pcs.

50 pcs.

Color							
Color code is the last digit of the order number							
Blue	Green	Yellow	Red	Black	White	Orange	Brown
1	2	3	4	5	6	7	8

Two input - Two Output Spring Clamp Terminals

YBK 2,5 CD

Width: 5 mm



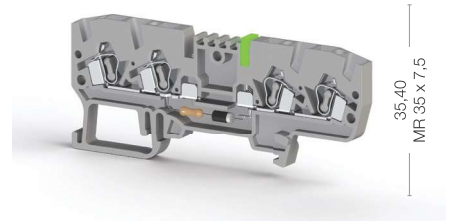
81,40

Cat No:

- 326 219
- 326 210

YBK 2,5 CLD

Width: 5 mm



81,40

Cat No:

- 326 319
- 326 310



Electrical Ratings
CE (EN 60947-7-1 - EN 60947-7-2)
UL
VDE (IEC 60947-7-1)
CSA
ATEX

Voltage, V ~	Current, A	Cross-Section
750	1	2,5 mm ²

Voltage, V ~	Current, A	Cross-Section
	24	2,5 mm ²
24	20	AWG 22-12

Connection Data
Conductor cross section solid (min.-max.)
Conductor cross section stranded (min.-max.)
2 conductors with same cross section, stranded, TWIN ferrules with plastic sleeve
AWG Conductor
Insulation Stripping Length (min.-max.)
Screwdriver

0,08-4 mm ²
0,08-2,5 mm ²
0,5 mm ²
AWG 28-12
9-10 mm
KT2 (0,5x3,0)

0,08-4 mm ²
0,08-2,5 mm ²
0,5 mm ²
AWG 28-12
9-10 mm
KT2 (0,5x3,0)

Ordering Data

Type	Cat.No.	Qty.
YBK 2,5 CLD (24V AC)	326 319	50
YBK 2,5 CLD (24V DC)	326 419	50
YBK 2,5 CLD (48V AC)	326 619	50
YBK 2,5 CLD (48V DC)	326 719	50
YBK 2,5 CLD (110V AC)	326 329	50
YBK 2,5 CLD (110V DC)	326 429	50
YBK 2,5 CLD (220V AC)	326 629	50
YBK 2,5 CLD (220V DC)	326 729	50

Technical Data For Diode
Diode Reverse Voltage
Diode Current
Diode

1000 V
1 A
1 N 4007

End Plate

Type	Cat.No.	Qty.
NPP/YBK 2,5 C	446 279	25

Type	Cat.No.	Qty.
NPP/YBK 2,5 C	446 279	25

Cross Connection

Type	Cat.No.	Qty.
UK 2,5/2	476 222	25
UK 2,5/3	476 223	20
UK 2,5/4	476 224	15
UK 2,5/10	476 229	5

Type	Cat.No.	Qty.
UK 2,5/2	476 222	25
UK 2,5/3	476 223	20
UK 2,5/4	476 224	15
UK 2,5/10	476 229	5

Technical Data
Rated Impulse Voltage / Pollution severity
Insulation material group / Gauge pin code according to IEC 60947-1
Protection class / Protection conductor type
Marking Tags (Dekafix)
See pages 326-333 for a list of Dekafix

8/3
1/A3
IP 20 / -
D-NS 5x10, DB 10/5, DG 10/5, DG 10/5T

8/3
1/A3
IP 20 / -
D-NS 5x10, DB 10/5, DG 10/5, DG 10/5T

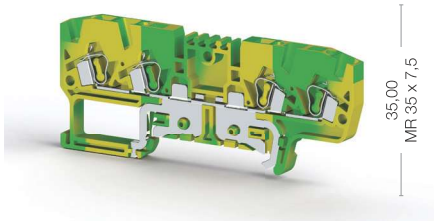
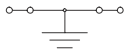
Package Quantity

50 pcs.

50 pcs.

YBK 2,5 CT


Width: 5 mm



35,00
MR 35 x 7,5

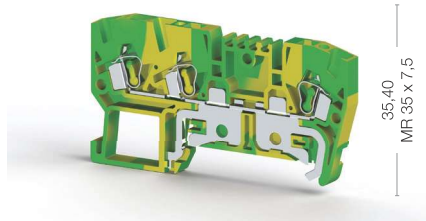
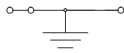
81,40

Cat No:

 336 100

YBK 2,5 ET


Width: 5 mm



35,40
MR 35 x 7,5

66,60

Cat No:

 336 110

Voltage, V ~	Current, A	Cross-Section
		2,5 mm ²
		AWG 22-12

	0,08-4 mm ²	
	0,08-2,5 mm ²	
	0,5 mm ²	
	AWG 28-12	
	9-10 mm	
	KT2 (0,5x3,0)	

Type	Cat.No.	Qty.
NPP/YBK 2,5 CT	446 272T	10

8/3
1/A3
IP 20 / PE
D-NS 5x10, DB 10/5, DG 10/5, DG 10/5T

50 pcs.

Voltage, V ~	Current, A	Cross-Section
		2,5 mm ²
		AWG 22-12

	0,08-4 mm ²	
	0,08-2,5 mm ²	
	0,5 mm ²	
	AWG 28-12	
	9-10 mm	
	KT2 (0,5x3,0)	

Type	Cat.No.	Qty.
NPP/YBK 2,5 E	446 212T	10

8/3
1/A3
IP 20 / PE
D-NS 5x10, DB 10/5, DG 10/5, DG 10/5T

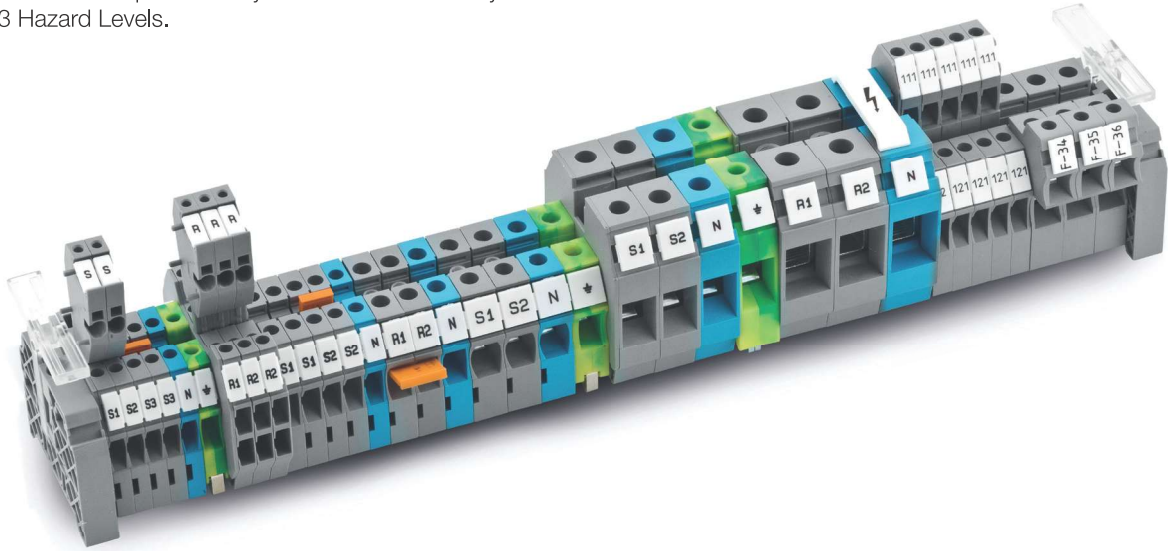
50 pcs.

“V0” Flammability Rating Product Range

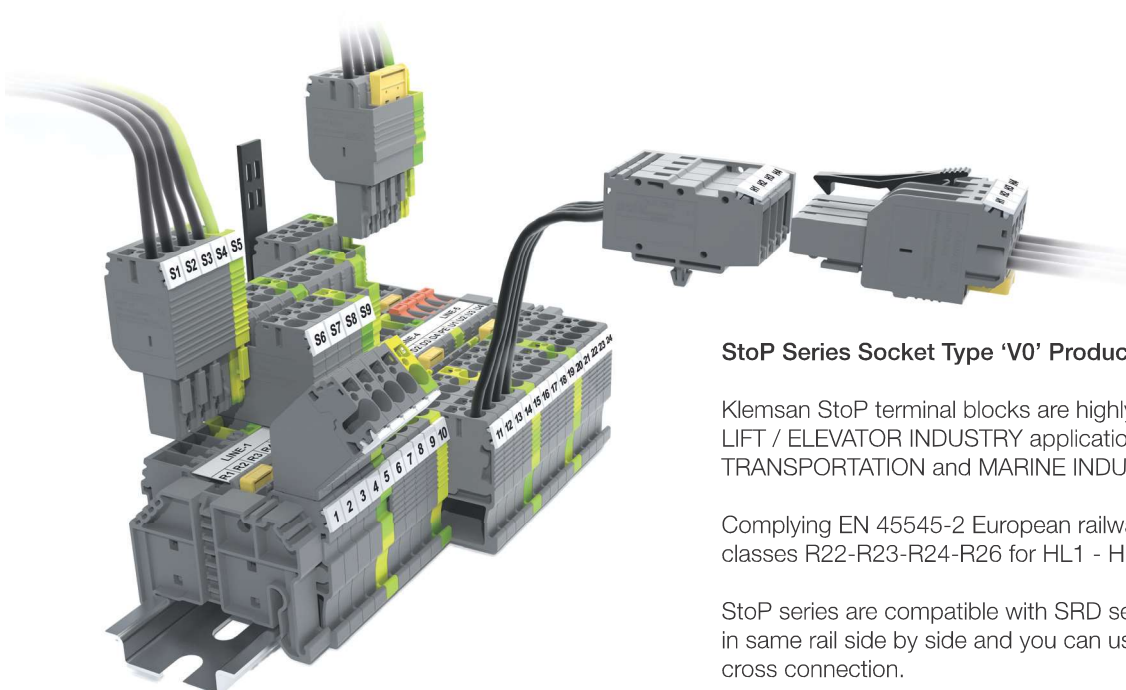
Screw Type ‘V0’ Products

‘V0’ flammability rating Screw Terminal Blocks are ready in KLEMSAN Family for your prestigious projects! You can select the most suitable products from our premium ‘NM’ series as 108 products.

Complying EN 45545-2 European railway standard for fire safety classes R22-R23-R24-R26 for HL1 - HL2 - HL3 Hazard Levels.



Features	UL 94 V0	UL 94 V1	UL 94 V2
Self-extinguishing time after flame is applied to the sample (seconds).	≤ 10 sn	≤ 30 sn	≤ 30 sn
Total self-extinguishing time after 10 consecutive flame treatments.	≤ 50 sn	≤ 250 sn	≤ 250 sn
Is the sample burn completely?	No	No	No
Subject material which shouldn't ignite by dripping from the sample.	Cotton	Cotton	Paper

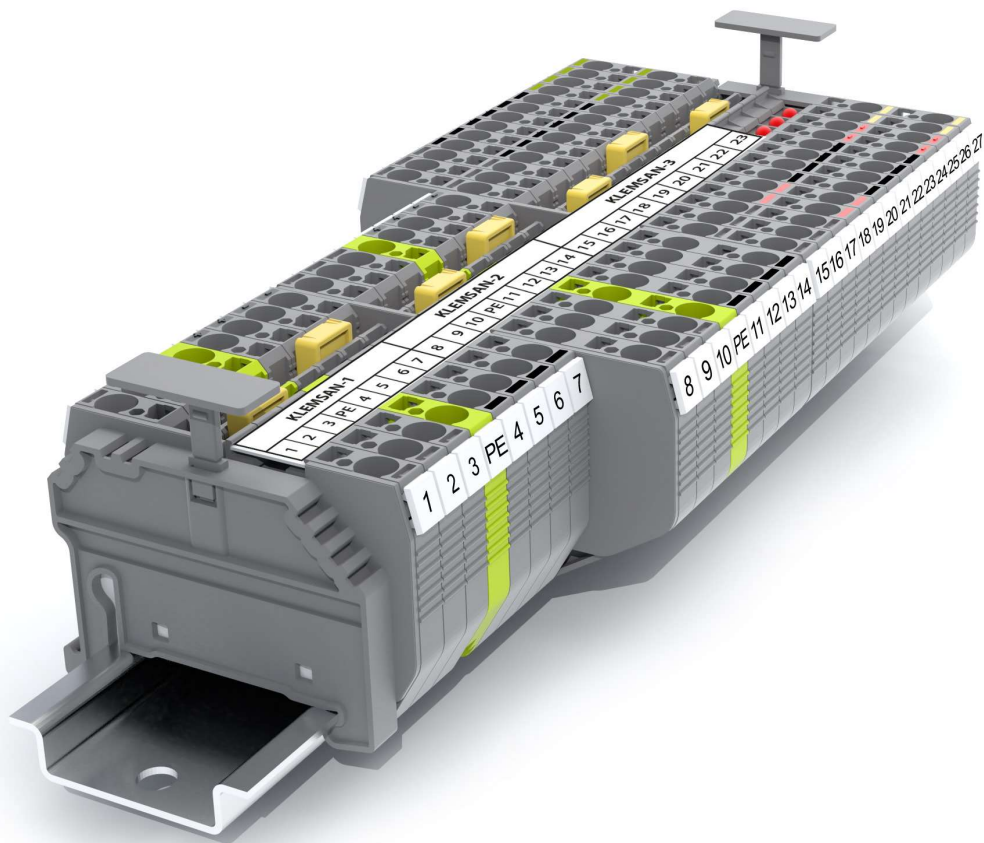


StoP Series Socket Type ‘V0’ Products

Klemsan StoP terminal blocks are highly recommended for LIFT / ELEVATOR INDUSTRY applications; also for RAILWAY TRANSPORTATION and MARINE INDUSTRIES as well.

Complying EN 45545-2 European railway standard for fire safety classes R22-R23-R24-R26 for HL1 - HL2 - HL3 Hazard Levels.

StoP series are compatible with SRD series. You can mount them in same rail side by side and you can use marking strip and push-in cross connection.



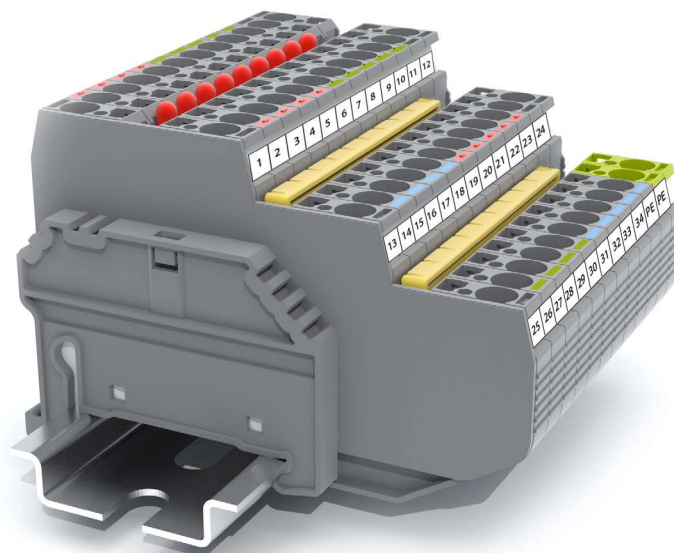
SRD Series Spring Type 'V0' Products

Brand new series spring clamp type terminal blocks are ready for your projects!

SRD Series are empowered terminal blocks compare with YBK series.

The thickness is 5,2 mm and the plastic bodies and rail legs are more ergonomic.

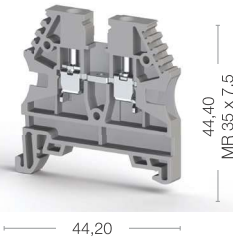
Complying EN 45545-2 European railway standard for fire safety classes R22-R23-R24-R26 for HL1 - HL2 - HL3 Hazard Levels.



AVK Series "V0" Terminals

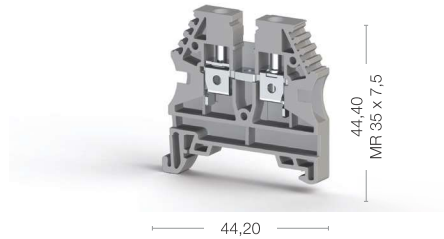
AVK 2,5/NM

Width: 5 mm



AVK 4/NM

Width: 6 mm



Cat No:

- 309 009
- 309 000

Cat No:

- 309 019
- 309 010



Electrical Ratings
CE (EN 60947-7-1)
UL - CuLus
ATEX

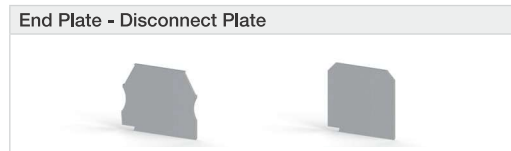
Voltage, V ~	Current, A	Cross-Section
750	24	2,5 mm ²
600	20	AWG 26-12
630	20	0,5-2,5 mm ²

Voltage, V ~	Current, A	Cross-Section
750	32	4 mm ²
600	30	AWG 26-10
630	27	0,5-4 mm ²

Connection Data
Conductor cross section solid (min-max.)
Conductor cross section stranded (min-max.)
2 conductors with same cross section, stranded, TWIN ferrules with plastic sleeve, (min-max.)
AWG Conductor
Insulation Stripping Length (min.-max.)
Torque (min-max.)
Screwdriver

0,2-4 mm ²
0,2-4 mm ²
0,5-1,5 mm ²
AWG 24-12
9-10 mm
0,4-0,6 Nm
IKT 3 (0,6x3,5)

0,2-6 mm ²
0,2-6 mm ²
0,5-2,5 mm ²
AWG 24-10
9-10 mm
0,5-0,8 Nm
IKT 3 (0,6x3,5)



Type	Cat.No.	Qty.
NPP/AVK 2,5-10/NM	451 069	100
APP/AVK 2,5-10/NM	464 059	25

Type	Cat.No.	Qty.
NPP/AVK 2,5-10/NM	451 069	100
APP/AVK 2,5-10/NM	464 059	25



Type	Cat.No.	Qty.
UK 2,5/2	474 122	25
UK 2,5/3	474 123	20
UK 2,5/4	474 124	15
UK 2,5/10	474 129	5
UK 2,5/20	474 210	20

Type	Cat.No.	Qty.
UK 4/2	474 132	25
UK 4/3	474 133	20
UK 4/4	474 134	15
UK 4/10	474 139	5
UK 4/20	474 180	5
UK 4/50	474 190	5



Type	Cat.No.	Qty.
TKO 2,5/2/NM	470 332	25
TKO 2,5/3/NM	470 333	20
TKO 2,5/4/NM	470 334	15
TKO 2,5/10/NM	470 339	5

Type	Cat.No.	Qty.
TKO 4/2/NM	470 342	25
TKO 4/3/NM	470 343	20
TKO 4/4/NM	470 344	15
TKO 4/10/NM	470 349	5

Technical Data
Rated Impulse Voltage / Pollution severity
Insulation material group / Gauge pin code according to IEC 60947-1
Protection class / Protection conductor type
Marking Tags (Dekafix)
See pages 326-333 for a list of Dekafix

8/3
1/A3
IP 20 / -
D-NS 5x10, DB 10/5, DG 10/5, DG 10/5T

8/3
1/A4
IP 20 / -
D-NS 6x10, DB 10/6, DG 10/6, DG 10/6T

Package Quantity
100 pcs.

100 pcs.

100 pcs.

Color						
Color code is the last digit of the order number						
Blue	Green	Yellow	Red	Black	White	Orange
1	2	3	4	5	6	7

AVK 6/NM

Width: 8 mm



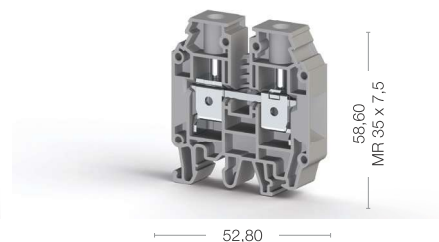
AVK 10/NM

Width: 10 mm



AVK 16 RD/NM

Width: 12 mm



Cat No:

- 309 029
- 309 020

Voltage, V ~	Current, A	Cross-Section
630	41	6 mm ²
600	50	AWG 26-8
630	36	0,5-6 mm ²

0,2-10 mm ²
0,2-10 mm ²
0,5-4 mm ²
AWG 24-8
10-12 mm
0,8-1,2 Nm
IKT 4 (0,8x4)

Type	Cat.No.	Qty.
NPP/AVK 2,5-10/ NM	451 069	100
APP/AVK 2,5-10/ NM	464 059	25

Type	Cat.No.	Qty.
UK 6/2	474 142	25
UK 6/3	474 143	20
UK 6/4	474 144	15
UK 6/10	474 149	5

Type	Cat.No.	Qty.
TKO 6/2/NM	470 352	25
TKO 6/3/NM	470 353	20
TKO 6/4/NM	470 357	15
TKO 6/10/NM	470 359	5

8/3
1/B5
IP 20 / -
D-NS 8x10, DG 10/8

100 pcs.

Cat No:

- 309 039
- 309 030

Voltage, V ~	Current, A	Cross-Section
630	57	10 mm ²
600	65	AWG 16-6
630	50	1,5-10 mm ²

0,5-16 mm ²
0,5-16 mm ²
0,5-6 mm ²
AWG 20-6
10-12 mm
1,2-1,8 Nm
IKT 4 (0,8x4)

Type	Cat.No.	Qty.
NPP/AVK 2,5-10/ NM	451 069	100
APP/AVK 2,5-10/ NM	464 059	25

Type	Cat.No.	Qty.
UK 10/2	474 152	25
UK 10/3	474 153	20
UK 10/4	474 154	15
UK 10/10	474 159	5

Type	Cat.No.	Qty.
TKO 10/2/NM	470 362	25
TKO 10/3/NM	470 363	20
TKO 10/4/NM	470 364	15
TKO 10/10/NM	470 369	5

8/3
1/B6
IP 20 / -
D-NS 10x10, DG 10/10

100 pcs.

Cat No:

- 309 059
- 309 050

Voltage, V ~	Current, A	Cross-Section
750	76	16 mm ²
600	80	AWG 12-4
630	67	1,5-16 mm ²

1,5-25 mm ²
1,5-25 mm ²
0,75-10 mm ²
AWG 16-4
12-14 mm
1,2-2,0 Nm
IKT 5 (1,0x5,5)

Type	Cat.No.	Qty.
NPP/AVK 16 RD/ NM	451 049	100
APP/AVK 16 RD/ NM	464 229	25

Type	Cat.No.	Qty.
UK 16/2	474 162	25
UK 16/3	474 163	20
UK 16/4	474 164	15
UK 16/10	474 169	5

8/3
1/B7
IP 20 / -
D-NS 10x10, D-NS 12x10, DG 10x10

50 pcs.

AVK Series "V0" Terminals

AVK 35 RDS/NM

Width: 16 mm

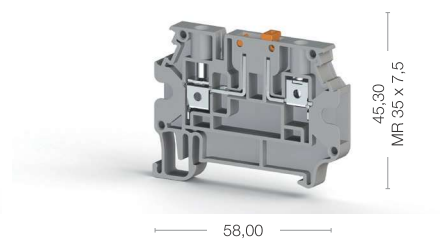
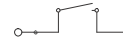


Cat No:

- 309 089
- 309 080

AVK 4 A/NM

Width: 6 mm



Cat No:

- 309 179
- 309 170



Electrical Ratings
CE (EN 60947-7-1)
UL - CuLus
ATEX

Voltage, V ~	Current, A	Cross-Section
1000	125	35 mm ²
600	115	AWG 10-2
800	111	6-50 mm ²

Voltage, V ~	Current, A	Cross-Section
500	20	4 mm ²
300	16	AWG 26-10

Connection Data
Conductor cross section solid (min-max.)
Conductor cross section stranded (min-max.)
2 conductors with same cross section, stranded, TWIN ferrules with plastic sleeve, (min-max.)
AWG Conductor
Insulation Stripping Length (min.-max.)
Torque (min-max.)
Screwdriver

6-50 mm ²
6-35 mm ²
4-16 mm ²
AWG 10-2
16-18 mm
4,0-6,0 Nm
IKT 6 (1,2x6,5)

0,2-6 mm ²
0,2-6 mm ²
0,5-2,5 mm ²
AWG 24-10
9-10 mm
0,5-0,8 Nm
IKT 3 (0,6x3,5)

End Plate - Disconnect Plate

Type	Cat.No.	Qty.

Type	Cat.No.	Qty.
NPP/AVK 4 R-A/ NM	451 319	25

Cross Connection


Type	Cat.No.	Qty.
UK 35/2 RDS	480 212	25
UK 35/3 RDS	480 213	20
UK 35/4 RDS	480 214	15
UK 35/10 RDS	480 219	5

Type	Cat.No.	Qty.
UK 4/2/NM	470 312	25
UK 4/3/NM	470 313	20
UK 4/4/NM	470 314	15
UK 4/10/NM	470 319	5

Technical Data
Rated Impulse Voltage / Pollution severity
Insulation material group / Gauge pin code according to IEC 60947-1
Protection class / Protection conductor type
Marking Tags (Dekafix)
See pages 326-333 for a list of Dekafix

8/3
1/B9
IP 20 / -
D-NS 10x10, D-NS 14x10, DG 10/10

6/3
1/A4
IP 20 / -
D-NS 6x10, DB 10/6, DG 10/6, DG 10/6T, SLF-P1 W

Package Quantity

50 pcs.

50 pcs.

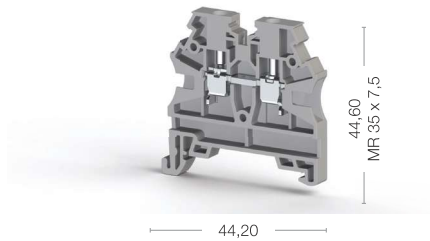
* Higher torque value compare to AVK 35 RD

Color						
Color code is the last digit of the order number						
Blue	Green	Yellow	Red	Black	White	Orange
1	2	3	4	5	6	7

AVK RD Series "V0" Terminals

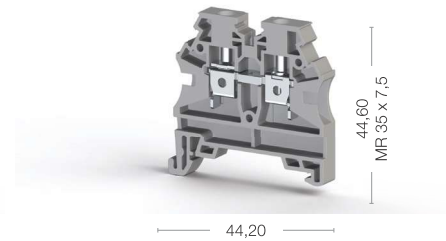
AVK 2,5 RD/NM

Width: 5 mm



AVK 4 RD/NM

Width: 6 mm



Cat No:

- 309 159
- 309 150

Cat No:

- 309 169
- 309 160



Electrical Ratings
CE (EN 60947-7-1)
UL - CuLus
VDE (IEC 60947-7-1)
CSA
ATEX

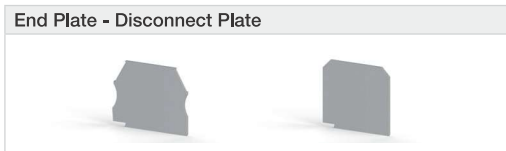
Voltage, V ~	Current, A	Cross-Section
750	24	2,5 mm ²
600	20	AWG 26-12
630	20	0,5-2,5 mm ²

Voltage, V ~	Current, A	Cross-Section
750	32	4 mm ²
600	30	AWG 26-10
630	25	0,5-4 mm ²

Connection Data
Conductor cross section solid (min-max.)
Conductor cross section stranded (min-max.)
2 conductors with same cross section, stranded, TWIN ferrules with plastic sleeve, (min-max.)
AWG Conductor
Insulation Stripping Length (min.-max.)
Torque (min-max.)
Screwdriver

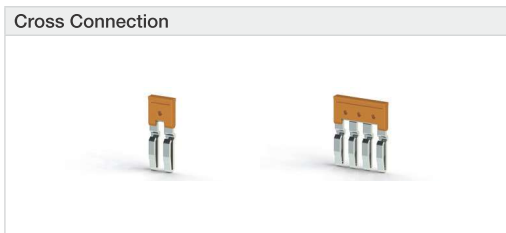
0,2-4 mm ²
0,2-4 mm ²
0,5-1,5 mm ²
AWG 24-12
9-10 mm
0,4-0,6 Nm
IKT 3 (0,6x3,5)

0,2-6 mm ²
0,2-6 mm ²
0,5-2,5 mm ²
AWG 24-10
9-10 mm
0,5-0,8 Nm
IKT 3 (0,6x3,5)



Type	Cat.No.	Qty.
NPP/AVK 2,5-10/NM	451 069	100
APP/AVK 2,5-10/NM	464 059	25

Type	Cat.No.	Qty.
NPP/AVK 2,5-10/NM	451 069	100
APP/AVK 2,5-10/NM	464 059	25



Type	Cat.No.	Qty.
UK 2,5/2/NM	470 302	25
UK 2,5/3/NM	470 303	20
UK 2,5/4/NM	470 304	15
UK 2,5/10/NM	470 309	5

Type	Cat.No.	Qty.
UK 4/2/NM	470 312	25
UK 4/3/NM	470 313	20
UK 4/4/NM	470 314	15
UK 4/10/NM	470 319	5



Type	Cat.No.	Qty.
TKO 2,5/2/NM	470 332	25
TKO 2,5/3/NM	470 333	20
TKO 2,5/4/NM	470 334	15
TKO 2,5/10/NM	470 339	5

Type	Cat.No.	Qty.
TKO 4/2/NM	470 342	25
TKO 4/3/NM	470 343	20
TKO 4/4/NM	470 344	15
TKO 4/10/NM	470 349	5

Technical Data
Rated Impulse Voltage / Pollution severity
Insulation material group / Gauge pin code according to IEC 60947-1
Protection class / Protection conductor type

8/3
1/A3
IP 20 / -

8/3
1/A4
IP 20 / -

Marking Tags (Dekafix)
See pages 326-333 for a list of Dekafix

DB 10/5, DG 10/5, DG 10/5T, D-NS 5x10

D-NS 6x10, DB 10/6, DG 10/6, DG 10/6T

Package Quantity
100 pcs.

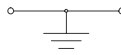
100 pcs.

100 pcs.

AVK T Series "V0" Earth Terminals

AVK 2,5 / 4 TK/NM

Width: 6 mm

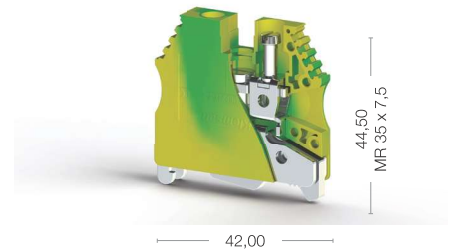
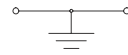


Cat No:

 341 010

AVK 6 TK/NM

Width: 8 mm



Cat No:

 341 020



Electrical Ratings
CE (EN 60947-7-2)
UL - CuLus
ATEX

Voltage, V ~	Current, A	Cross-Section
		2,5-4 mm ²
		AWG 26-10
		0,5-6 mm ²

Connection Data	
Conductor cross section solid (min-max.)	0,2-6 mm ²
Conductor cross section stranded (min-max.)	0,2-6 mm ²
2 conductors with same cross section, stranded, TWIN ferrules with plastic sleeve, (min-max.)	0,5-2,5 mm ²
AWG Conductor	AWG 24-10
Insulation Stripping Length (min.-max.)	9-10 mm
Torque (min-max.)	0,5-0,8 Nm
Rail Tightening torque, (min-max.)	0,4-0,6 Nm
Screwdriver	IKT 3 (0,6x3,5)

Voltage, V ~	Current, A	Cross-Section
		6 mm ²
		AWG 26-8
		0,5-6 mm ²

Technical Data	
Rated Impulse Voltage / Pollution severity	8/3
Insulation material group / Gauge pin code according to IEC 60947-1	1/A4
Protection class / Protection conductor type	IP 20 / PE

Marking Tags (Dekafix)	
See pages 326-333 for a list of Dekafix	D-NS 6x10, DB 10/6, DG 10/6, DG 10/6T

Package Quantity	
	50 pcs.

Marking Tags (Dekafix)	
	D-NS 8x10, DG 10/8

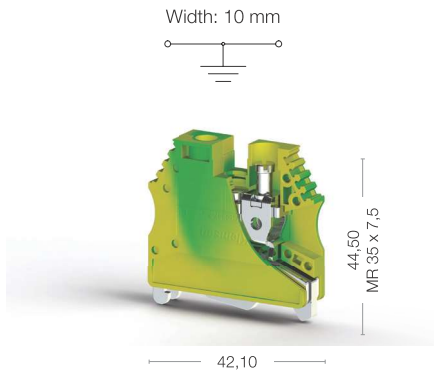
Voltage, V ~	Current, A	Cross-Section
		6 mm ²
		AWG 26-8
		0,5-6 mm ²

Connection Data	
Conductor cross section solid (min-max.)	0,2-10 mm ²
Conductor cross section stranded (min-max.)	0,2-10 mm ²
2 conductors with same cross section, stranded, TWIN ferrules with plastic sleeve, (min-max.)	0,5-4 mm ²
AWG Conductor	AWG 24-8
Insulation Stripping Length (min.-max.)	10-12 mm
Torque (min-max.)	0,8-1,2 Nm
Rail Tightening torque, (min-max.)	0,6-0,8 Nm
Screwdriver	IKT 4 (0,8x4)

Technical Data	
Rated Impulse Voltage / Pollution severity	8/3
Insulation material group / Gauge pin code according to IEC 60947-1	1/B5
Protection class / Protection conductor type	IP 20 / PE

Package Quantity	
	25 pcs.

AVK 10 TK/NM



Cat No:

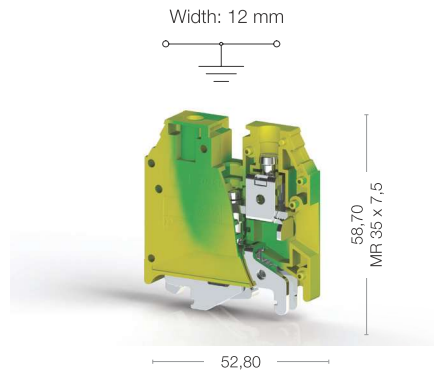
341 030

Voltage, V ~	Current, A	Cross-Section
		10 mm ²
		AWG 16-6
		1,5-16 mm ²

0,5-16 mm ²		
0,5-16 mm ²		
0,5-6 mm ²		
AWG 20-6		
10-12 mm		
1,2-1,8 Nm		
0,8-1,0 Nm		
IKT 4 (1,2x6,5)		

8/3		
1/B6		
IP 20 / PE		
D-NS 10x10, DG 10/10		
25 pcs.		

AVK 16 T RD/NM



Cat No:

341 040

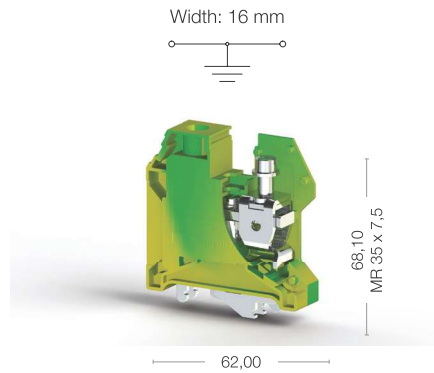
Voltage, V ~	Current, A	Cross-Section
		16 mm ²
		AWG 12-4
		1,5-16 mm ²

1,5-25 mm ²		
1,5-25 mm ²		
0,75-10 mm ²		
AWG 16-4		
12-14 mm		
1,2-2,0 Nm		
1,0-1,2 Nm		
IKT 5 (1,2x6,5)		

8/3		
1/B7		
IP 20 / PE		
D-NS 10x10, D-NS 12x10, DG 10/10		
50 pcs.		

AVK T Series "V0" Earth Terminals

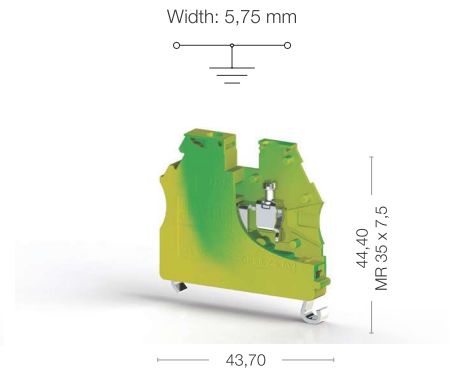
AVK 35 T RDS/NM



Cat No:

 341 060

AVK 2,5 T RD/NM



Cat No:

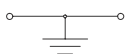
 341 090



Electrical Ratings	Voltage, V ~	Current, A	Cross-Section	Voltage, V ~	Current, A	Cross-Section
CE (EN 60947-7-2)			35 mm ²			2,5 mm ²
UL - CuLus			AWG 10-2			AWG 26-12
ATEX			6-50 mm ²			0,5-2,5 mm ²
Connection Data						
Conductor cross section solid (min-max.)			6-50 mm ²			0,2-4 mm ²
Conductor cross section stranded (min-max.)			6-35 mm ²			0,2-4 mm ²
2 conductors with same cross section, stranded, TWIN ferrules with plastic sleeve, (min-max.)			4-16 mm ²			0,5-1,5 mm ²
AWG Conductor			AWG 10-2			AWG 24-12
Insulation Stripping Length (min.-max.)			16-18 mm			9-10 mm
Torque (min-max.)			4,0-6,0 Nm			0,4-0,6 Nm
Rail Tightening torque, (min-max.)			1,2-1,5 Nm			
Screwdriver			IKT 6 (1,2x6,5)			IKT 3 (0,6x3,5)
Technical Data						
Rated Impulse Voltage / Pollution severity			8/3			8
Insulation material group / Gauge pin code according to IEC 60947-1			1/B9			1/A3
Protection class / Protection conductor type			IP 20 / PE			IP 20 / PE
Marking Tags (Dekafix)						
See pages 326-333 for a list of Dekafix			D-NS 10x10, D-NS 14x10, DG 10/10			D-NS 5x10, DB 10/5, DG 10/5, DG 10/5T
Package Quantity						
			25 pcs.			50 pcs.

AVK 4 T RD/NM

Width: 6,2 mm



Cat No:

 341 100

Voltage, V ~	Current, A	Cross-Section
		4 mm ²
		AWG 26-10
		0,5-4 mm ²

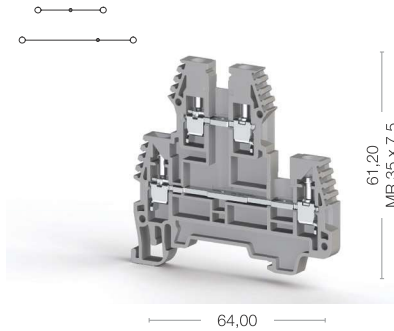
	0,2-6 mm ²
	0,2-6 mm ²
	0,5-2,5 mm ²
	AWG 24-10
	9-10 mm
	0,5-0,8 Nm
	IKT 3 (0,6x3,5)

8
1/A4
IP 20 / PE
D-NS 6x10, DB 10/6, DG 10/6, DG 10/6T
50 pcs.

Screw Type "V0" Double - Deck Terminals

PIK 2,5 N/NM

Width: 5 mm

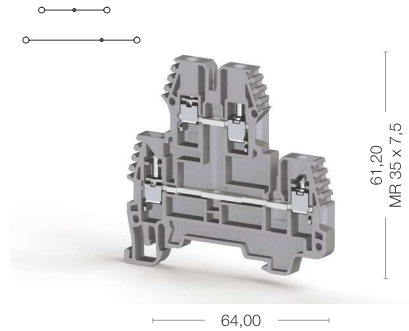


Cat No:

- 309 189
- 309 180

PIK 2,5 RD/NM

Width: 5 mm



Cat No:

- 309 429
- 309 420



Electrical Ratings

CE (EN 60947-7-1)
UL
VDE (IEC 60947-7-1)
CSA
ATEX

Voltage, V ~	Current, A	Cross-Section
500	24	2,5 mm ²
300	20	AWG 26-12
400	19	0,5-2,5 mm ²

Voltage, V ~	Current, A	Cross-Section
500	24	2,5 mm ²
300	20	AWG 26-12
400	19	0,5-2,5 mm ²

Connection Data

Conductor cross section solid (min.-max.)	0,2-4 mm ²
Conductor cross section stranded (min.-max.)	0,2-4 mm ²
2 conductors with same cross section, stranded, TWIN ferrules with plastic sleeve, (min.-max.)	0,5-1,5 mm ²
AWG Conductor	AWG 24-12
Insulation Stripping Length (min.-max.)	9-10 mm
Torque (min.-max.)	0,4-0,6 Nm
Screwdriver	IKT 3 (0,6x3,5)

Conductor cross section solid (min.-max.)	0,2-4 mm ²
Conductor cross section stranded (min.-max.)	0,2-4 mm ²
2 conductors with same cross section, stranded, TWIN ferrules with plastic sleeve, (min.-max.)	0,5-1,5 mm ²
AWG Conductor	AWG 24-12
Insulation Stripping Length (min.-max.)	9-10 mm
Torque (min.-max.)	0,4-0,6 Nm
Screwdriver	IKT 3 (0,6x3,5)

Conductor cross section solid (min.-max.)	0,2-4 mm ²
Conductor cross section stranded (min.-max.)	0,2-4 mm ²
2 conductors with same cross section, stranded, TWIN ferrules with plastic sleeve, (min.-max.)	0,5-1,5 mm ²
AWG Conductor	AWG 24-12
Insulation Stripping Length (min.-max.)	9-10 mm
Torque (min.-max.)	0,4-0,6 Nm
Screwdriver	IKT 3 (0,6x3,5)

Ordering Data

Technical Data For Diode

Diode Voltage	
Diode Current	
Diod	

Diode Voltage	
Diode Current	
Diod	

Diode Voltage	
Diode Current	
Diod	

End Plate



Type	Cat.No.	Qty.
NPP/PIK 2,5-4 N/NM	451 309	25

Type	Cat.No.	Qty.
NPP/PIK 2,5-4 N/NM	451 309	25

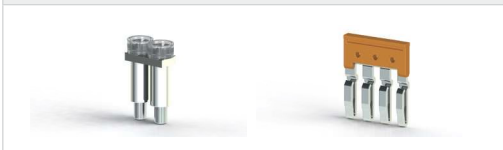
Small Partition



Type	Cat.No.	Qty.
AD 1	467 919	100

Type	Cat.No.	Qty.

Cross Connection



Type	Cat.No.	Qty.
UK 2,5/2	474 122	25
UK 2,5/3	474 123	20
UK 2,5/4	474 124	15
UK 2,5/10	474 129	5
UK 2,5/50	474 210	20

Type	Cat.No.	Qty.
UK 2,5/2/NM	470 302	25
UK 2,5/3/NM	470 303	20
UK 2,5/4/NM	470 304	15
UK 2,5/10/NM	470 309	5

Technical Data

Rated Impulse Voltage / Pollution severity	6/3
Insulation material group / Gauge pin code according to IEC 60947-1	1/A3
Protection class / Protection conductor type	IP 20 / -

Rated Impulse Voltage / Pollution severity	6/3
Insulation material group / Gauge pin code according to IEC 60947-1	1/A3
Protection class / Protection conductor type	IP 20 / -

Rated Impulse Voltage / Pollution severity	6/3
Insulation material group / Gauge pin code according to IEC 60947-1	1/A3
Protection class / Protection conductor type	IP 20 / -

Marking Tags (Dekafix)

See pages 326-333 for a list of Dekafix

D-NS 5x10, DB 10/5, DG 10/5, DG 10/5T

D-NS 5x10, DB 10/5, DG 10/5, DG 10/5T

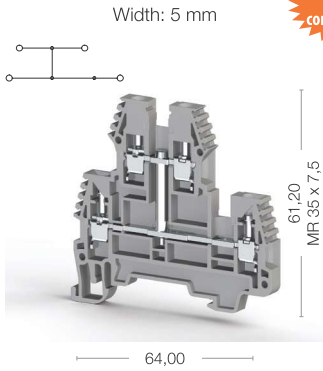
Package Quantity

--

100 pcs.

100 pcs.

PIK 2,5 NK/NM



Cat No:

- 309 199
- 309 190

Voltage, V ~	Current, A	Cross-Section
500	24	2,5 mm ²
300	20	AWG 26-12

0,2-4 mm ²
0,2-4 mm ²
0,5-1,5 mm ²
AWG 24-12
9-10 mm
0,4-0,6 Nm
IKT 3 (0,6x3,5)

Type	Cat.No.	Qty.
NPP/PIK 2,5-4 N/NM	451 309	25

Type	Cat.No.	Qty.
AD 1	467 919	100

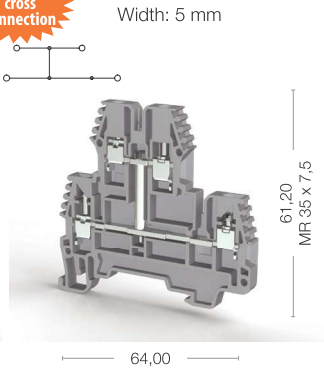
Type	Cat.No.	Qty.
UK 2,5/2	474 122	25
UK 2,5/3	474 123	20
UK 2,5/4	474 124	15
UK 2,5/10	474 129	5
UK 2,5/50	474 210	20

Note: Only lower decks can be cross-connected

6/3
1/A3
IP 20 / -
D-NS 5x10, DB 10/5, DG 10/5, DG 10/5T

20 pcs.

PIK 2,5 RDK/NM



Cat No:

- 309 439
- 309 430

Voltage, V ~	Current, A	Cross-Section
500	24	2,5 mm ²

0,2-4 mm ²
0,2-4 mm ²
0,5-1,5 mm ²
AWG 24-12
9-10 mm
0,4-0,6 Nm
IKT 3 (0,6x3,5)

Type	Cat.No.	Qty.
NPP/PIK 2,5-4 N/NM	451 309	25

Type	Cat.No.	Qty.
AD 1	467 919	100

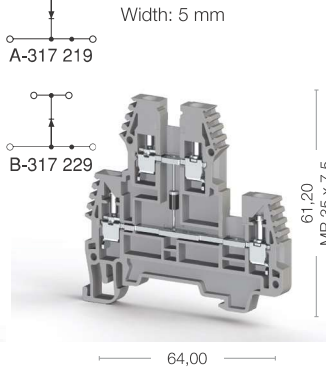
Type	Cat.No.	Qty.
UK 2,5/2/NM	470 302	25
UK 2,5/3/NM	470 303	20
UK 2,5/4/NM	470 304	15
UK 2,5/10/NM	470 309	5

Note: Only lower decks can be cross-connected

6/3
1/A3
IP 20 / -
D-NS 5x10, DB 10/5, DG 10/5, DG 10/5T

100 pcs.

PIK 2,5 ND/NM



Cat No:

- 315 049
- 315 040

Voltage, V ~	Current, A	Cross-Section
500	1	2,5 mm ²
300	20	AWG 26-12

0,2-4 mm ²
0,2-4 mm ²
0,5-1,5 mm ²
AWG 24-12
9-10 mm
0,4-0,6 Nm
IKT 3 (0,6x3,5)

Type	Cat.No.	Qty.
PIK 2,5 ND A/NM	315 049	20
PIK 2,5 ND B/NM	315 059	20

1000 V
1 A
1 N 4007

Type	Cat.No.	Qty.
NPP/PIK 2,5-4 N/NM	451 309	25

Type	Cat.No.	Qty.
AD 1	467 919	100

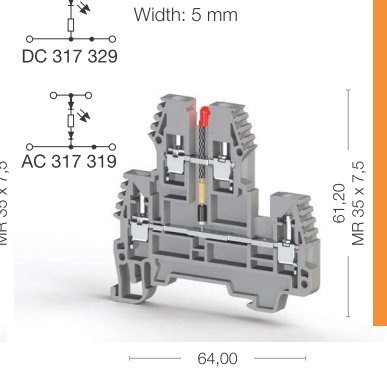
Type	Cat.No.	Qty.
UK 2,5/2	474 122	25
UK 2,5/3	474 123	20
UK 2,5/4	474 124	15
UK 2,5/10	474 129	5
UK 2,5/50	474 210	20

Note: Only lower decks can be cross-connected

6/3
1/A3
IP 20 / -
D-NS 5x10, DB 10/5, DG 10/5, DG 10/5T

20 pcs.

PIK 2,5 NLD/NM



Cat No:

- 309 229
- 309 220

Voltage, V ~	Current, A	Cross-Section
	24	2,5 mm ²
	20	AWG 26-12

0,2-4 mm ²
0,2-4 mm ²
0,5-1,5 mm ²
AWG 24-12
9-10 mm
0,4-0,6 Nm
IKT 3 (0,6x3,5)

Type	Cat.No.	Qty.
PIK 2,5 NLD/NM (24AC)	309 229	20
PIK 2,5 NLD/NM (24DC)	309 239	20
PIK 2,5 NLD/NM (48AC)	309 249	20
PIK 2,5 NLD/NM (48DC)	309 259	20
PIK 2,5 NLD/NM (110AC)	309 269	20
PIK 2,5 NLD/NM (110DC)	309 279	20
PIK 2,5 NLD/NM (220AC)	309 289	20
PIK 2,5 NLD/NM (220DC)	309 299	20

Type	Cat.No.	Qty.
NPP/PIK 2,5-4 N/NM	451 309	25

Type	Cat.No.	Qty.
AD 1	467 919	100

Type	Cat.No.	Qty.
UK 2,5/2	474 122	25
UK 2,5/3	474 123	20
UK 2,5/4	474 124	15
UK 2,5/10	474 129	5
UK 2,5/50	474 210	20

Note: Only lower decks can be cross-connected

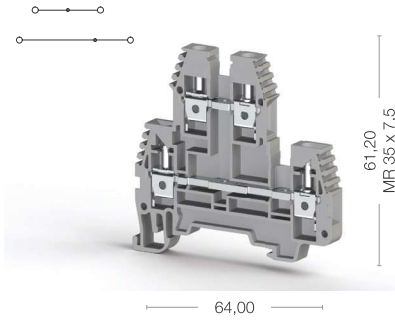
6/3
1/A3
IP 20 / -
D-NS 5x10, DB 10/5, DG 10/5, DG 10/5T

20 pcs.

Screw Type "V0" Double - Deck Terminals

PIK 4 N/NM

Width: 6 mm

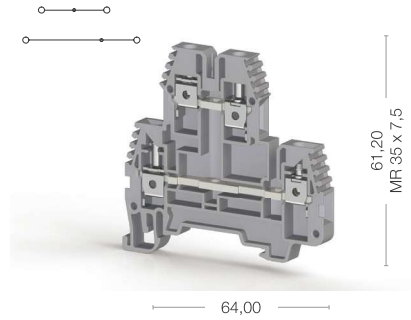


Cat No:

- 309 309
- 309 300

PIK 4 RD/NM

Width: 6 mm



Cat No:

- 309 449
- 309 440



Electrical Ratings	Voltage, V ~	Current, A	Cross-Section	Voltage, V ~	Current, A	Cross-Section
CE (EN 60947-7-1)	500	32	4 mm ²	500	32	4 mm ²
UL	300	30	AWG 26-10	300	30	AWG 26-10
VDE (IEC 60947-7-1)						
CSA						
ATEX	400	26	0,5-4 mm ²	400	26	0,5-4 mm ²

Connection Data			
Conductor cross section solid (min.-max.)		0,2-6 mm ²	0,2-6 mm ²
Conductor cross section stranded (min.-max.)		0,2-6 mm ²	0,2-6 mm ²
2 conductors with same cross section, stranded, TWIN ferrules with plastic sleeve, (min.-max.)		0,5-2,5 mm ²	0,5-2,5 mm ²
AWG Conductor		AWG 24-10	AWG 24-10
Insulation Stripping Length (min.-max.)		9-10 mm	9-10 mm
Torque (min.-max.)		0,5-0,8 Nm	0,5-0,8 Nm
Screwdriver		IKT 3 (0,6x3,5)	IKT 3 (0,6x3,5)

Ordering Data			

Technical Data For Diode			
Diode Voltage			
Diode Current			
Diode			

End Plate	Type	Cat.No.	Qty.	Type	Cat.No.	Qty.
	NPP/PIK 2,5-4 N/NM	451 309	25	NPP/PIK 2,5-4 N/NM	451 309	25

Small Partition	Type	Cat.No.	Qty.			
	AD 1	467 919	100			

Cross Connection	Type	Cat.No.	Qty.	Type	Cat.No.	Qty.
	UK 4/2	474 132	25	UK 4/2/NM	470 312	25
	UK 4/3	474 133	20	UK 4/3/NM	470 313	20
	UK 4/4	474 134	15	UK 4/4/NM	470 314	15
	UK 4/10	474 139	5	UK 4/10/NM	470 319	5
	UK 4/20	474 180	5			
	UK 4/50	474 190	5			

Technical Data		
Rated Impulse Voltage / Pollution severity	6/3	6/3
Insulation material group / Gauge pin code according to IEC 60947-1	1/A4	1/A4
Protection class / Protection conductor type	IP 20 / -	IP 20 / -
Marking Tags (Dekafix)		
See pages 326-333 for a list of Dekafix	D-NS 6x10, DB 10/6, DG 10/6, DG 10/6T	D-NS 6x10, DB 10/6, DG 10/6, DG 10/6T

Package Quantity		
	100 pcs.	100 pcs.

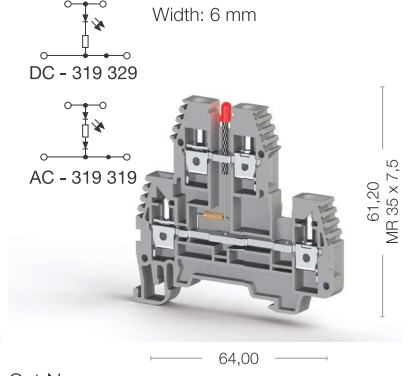
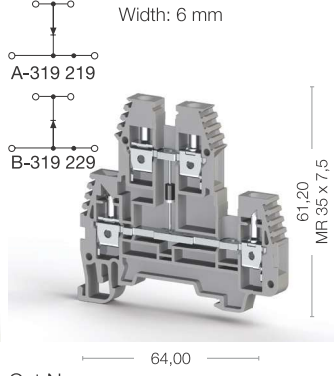
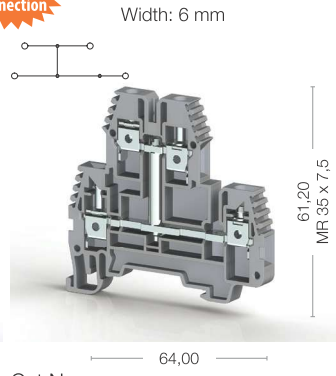
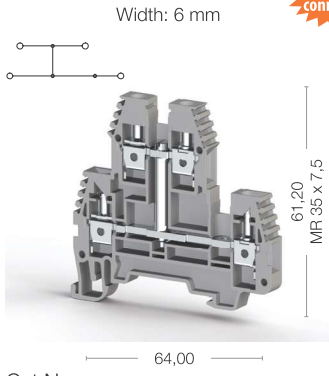
PIK 4 NK/NM



PIK 4 RDK/NM

PIK 4 ND/NM

PIK 4 NLD/NM



Cat No:

Cat No:

Cat No:

Cat No:

- 309 319
- 309 310

- 309 459
- 309 450

- 315 069
- 315 060

- 309 349
- 309 340

Voltage, V ~	Current, A	Cross-Section
500	32	4 mm ²
300	30	AWG 26-10

Voltage, V ~	Current, A	Cross-Section
500	32	4 mm ²

Voltage, V ~	Current, A	Cross-Section
500	1	4 mm ²
300	30	AWG 26-10

Voltage, V ~	Current, A	Cross-Section
	24	4 mm ²
	30	AWG 26-10

0,2-6 mm ²
0,2-6 mm ²
0,5-2,5 mm ²
AWG 24-10
9-10 mm
0,5-0,8 Nm
IKT 3 (0,6x3,5)

0,2-6 mm ²
0,2-6 mm ²
0,5-2,5 mm ²
AWG 24-10
9-10 mm
0,5-0,8 Nm
IKT 3 (0,6x3,5)

0,2-6 mm ²
0,2-6 mm ²
0,5-2,5 mm ²
AWG 24-10
9-10 mm
0,5-0,8 Nm
IKT 3 (0,6x3,5)

0,2-6 mm ²
0,2-6 mm ²
0,5-2,5 mm ²
AWG 24-10
9-10 mm
0,5-0,8 Nm
IKT 3 (0,6x3,5)

Type	Cat.No.	Qty.

Type	Cat.No.	Qty.

Type	Cat.No.	Qty.
PIK 4 ND A/NM	315 069	20
PIK 4 ND B/NM	315 079	20

Type	Cat.No.	Qty.
PIK 4 NLD/NM (24AC)	309 349	20
PIK 4 NLD/NM (24DC)	309 359	20
PIK 4 NLD/NM (48AC)	309 369	20
PIK 4 NLD/NM (48DC)	309 379	20
PIK 4 NLD/NM (110AC)	309 389	20
PIK 4 NLD/NM (110DC)	309 399	20
PIK 4 NLD/NM (220AC)	309 409	20
PIK 4 NLD/NM (220DC)	309 419	20

1000 V
1 A
1 N 4007

Type	Cat.No.	Qty.
NPP/PIK 2,5-4 N/NM	451 309	25

Type	Cat.No.	Qty.
NPP/PIK 2,5-4 N/NM	451 309	25

Type	Cat.No.	Qty.
NPP/PIK 2,5-4 N/NM	451 309	25

Type	Cat.No.	Qty.
NPP/PIK 2,5-4 N/NM	451 309	25

Type	Cat.No.	Qty.
AD 1	467 919	100

Type	Cat.No.	Qty.

Type	Cat.No.	Qty.
AD 1	467 919	100

Type	Cat.No.	Qty.
AD 1	467 919	100

Type	Cat.No.	Qty.
UK 4/2	474 132	25
UK 4/3	474 133	20
UK 4/4	474 134	15
UK 4/10	474 139	5
UK 4/20	474 180	5
UK 4/50	474 190	5

Type	Cat.No.	Qty.
UK 4/2/NM	470 312	25
UK 4/3/NM	470 313	20
UK 4/4/NM	470 314	15
UK 4/10/NM	470 319	5

Type	Cat.No.	Qty.
UK 4/2	474 132	25
UK 4/3	474 133	20
UK 4/4	474 134	15
UK 4/10	474 139	5
UK 4/20	474 180	5
UK 4/50	474 190	5

Type	Cat.No.	Qty.
UK 4/2	474 132	25
UK 4/3	474 133	20
UK 4/4	474 134	15
UK 4/10	474 139	5
UK 4/20	474 180	5
UK 4/50	474 190	5

Note: Only lower decks can be cross-connected

Note: Only lower decks can be cross-connected

Note: Only lower decks can be cross-connected

Note: Only lower decks can be cross-connected

6/3
1/A4
IP 20 / -
D-NS 6x10, DB 10/6, DG 10/6, DG 10/6T

6/3
1/A4
IP 20 / -
D-NS 6x10, DB 10/6, DG 10/6, DG 10/6T

6/3
1/A4
IP 20 / -
D-NS 6x10, DB 10/6, DG 10/6, DG 10/6T

6/3
1/A4
IP 20 / -
D-NS 6x10, DB 10/6, DG 10/6, DG 10/6T

20 pcs.

100 pcs.

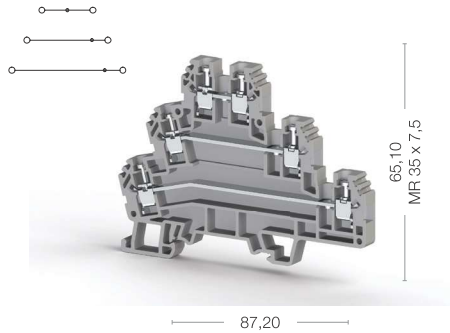
20 pcs.

20 pcs.

Screw Type "V0" Multilevel Terminals

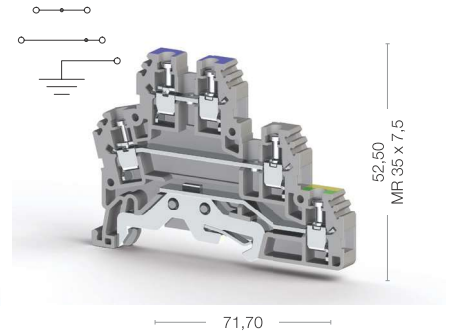
PUK 3/NM

Width: 6 mm



PUK 2 T/NM

Width: 6 mm



Cat No:

- 309 479
- 309 470

Cat No:

- 309 469
- 309 460



Electrical Ratings
CE (EN 60947-7-1 - EN 60947-7-2)
UL
VDE (IEC 60947-7-1)
CSA
ATEX

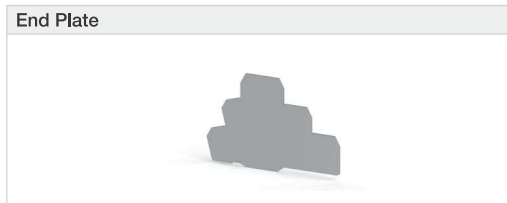
Voltage, V ~	Current, A	Cross-Section
440	24	2,5 mm ²
600	24	AWG 24-12
400	21	0,5-2,5 mm ²

Voltage, V ~	Current, A	Cross-Section
440	24	2,5 mm ²
600	24	AWG 24-12
400	21	0,5-2,5 mm ²

Connection Data
Conductor cross section solid (min.-max.)
Conductor cross section stranded (min.-max.)
2 conductors with same cross section, stranded, TWIN ferrules with plastic sleeve, (min.-max.)
AWG Conductor
Insulation Stripping Length (min.-max.)
Torque (min.-max.)
Screwdriver

0,2-4 mm ²
0,2-4 mm ²
0,5-1,5 mm ²
AWG 24-12
7-8 mm
0,4-0,6 Nm
IKT 3 (0,6x3,5)

0,2-4 mm ²
0,2-4 mm ²
0,5-1,5 mm ²
AWG 24-12
7-8 mm
0,4-0,6 Nm
IKT 3 (0,6x3,5)



Type	Cat.No.	Qty.
NPP/PUK 3/NM	451 339	10

Type	Cat.No.	Qty.
NPP/PUK 2 T/NM	451 329	10



Type	Cat.No.	Qty.
UK 2,5/2	480 132	25
UK 2,5/3	480 133	20
UK 2,5/4	480 134	15
UK 2,5/10	480 139	5
UK 2,5/35	480 140	5

Type	Cat.No.	Qty.
UK 2,5/2	480 132	25
UK 2,5/3	480 133	20
UK 2,5/4	480 134	15
UK 2,5/10	480 139	5
UK 2,5/35	480 140	5

Technical Data
Rated Impulse Voltage / Pollution severity
Insulation material group / Gauge pin code according to IEC 60947-1
Protection class / Protection conductor type
Marking Tags (Dekafix)
See pages 326-333 for a list of Dekafix

6/3
1/A3
IP 20 / -
DB 5

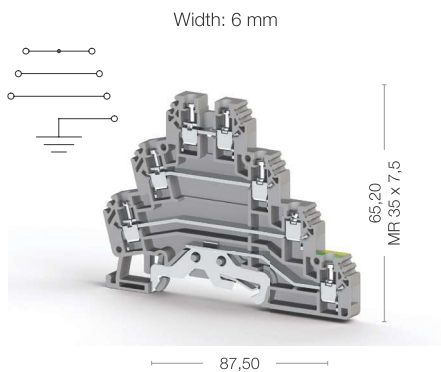
6/3
1/A3
IP 20 / NA / PE
DB 5

Package Quantity
20 pcs.

20 pcs.

20 pcs.

PUK 3 T/NM



Cat No:

- 309 489
- 309 480

Voltage, V ~	Current, A	Cross-Section
440	24	2,5 mm ²
600	24	AWG 24-12
400	21	0,5-2,5 mm ²

0,2-4 mm ²
0,2-4 mm ²
0,5-1,5 mm ²
AWG 24-12
7-8 mm
0,4-0,6 Nm
IKT 3 (0,6x3,5)

Type	Cat.No.	Qty.
NPP/PUK 3 T/NM	451 349	10

Type	Cat.No.	Qty.
UK 2,5/2	480 132	25
UK 2,5/3	480 133	20
UK 2,5/4	480 134	15
UK 2,5/10	480 139	5

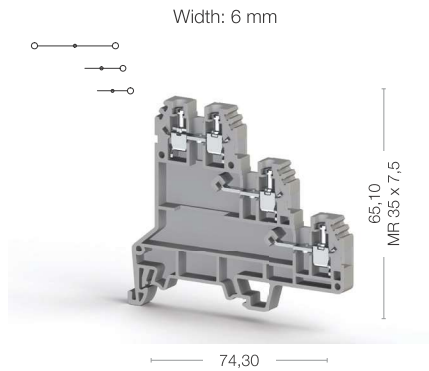
Note: Only upper decks can be cross-connected

6/3
1/A3
IP 20 / NA / PE
DB 5

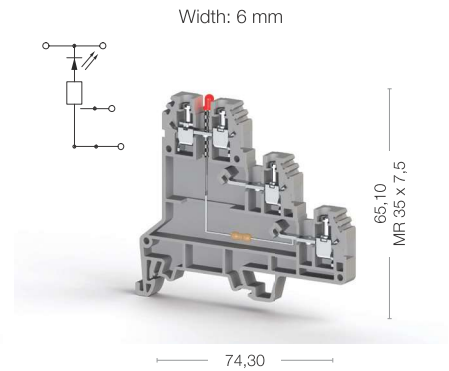
20 pcs.

Screw Type "V0" Sensor Terminals

PUK 3 S/NM



PUK 3 SLD (NPN)/NM



Cat No:

- 309 499
- 309 490

Cat No:

- 309 509
- 309 500



Electrical Ratings
CE (EN 60947-7-1)
UL
VDE (IEC 60947-7-1)
CSA
ATEX

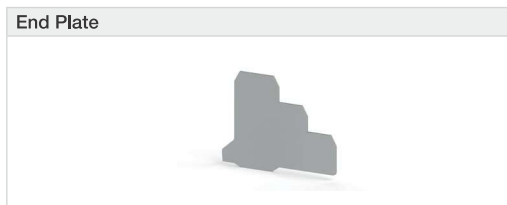
Voltage, V ~	Current, A	Cross-Section
500	24	2,5 mm ²
300	20	AWG 24-12

Voltage, V ~	Current, A	Cross-Section
24	24	2,5 mm ²
300	20	AWG 24-12

Connection Data
Conductor cross section solid (min.-max.)
Conductor cross section stranded (min.-max.)
2 conductors with same cross section, stranded, TWIN ferrules with plastic sleeve, (min.-max.)
AWG Conductor
Insulation Stripping Length (min.-max.)
Torque (min.-max.)
Screwdriver

0,2-4 mm ²
0,2-4 mm ²
0,5-1,5 mm ²
AWG 24-12
7-8 mm
0,4-0,6 Nm
IKT 3 (0,6x3,5)

0,2-4 mm ²
0,2-4 mm ²
0,5-1,5 mm ²
AWG 24-12
7-8 mm
0,4-0,6 Nm
IKT 3 (0,6x3,5)



Type	Cat.No.	Qty.
NPP/PUK 3 S/NM	451 359	10

Type	Cat.No.	Qty.
NPP/PUK 3 S/NM	451 359	10



Type	Cat.No.	Qty.
UK 2,5/2	480 132	25
UK 2,5/3	480 133	20
UK 2,5/4	480 134	15
UK 2,5/10	480 139	5
UK 2,5/35	480 140	5

Type	Cat.No.	Qty.
UK 2,5/2	480 132	25
UK 2,5/3	480 133	20
UK 2,5/4	480 134	15
UK 2,5/10	480 139	5
UK 2,5/35	480 140	5

Technical Data
Rated Impulse Voltage / Pollution severity
Insulation material group / Gauge pin code according to IEC 60947-1
Protection class / Protection conductor type
Marking Tags (Dekafix)
See pages 326-333 for a list of Dekafix

6/3
1/A3
IP 20 / -
DB 5

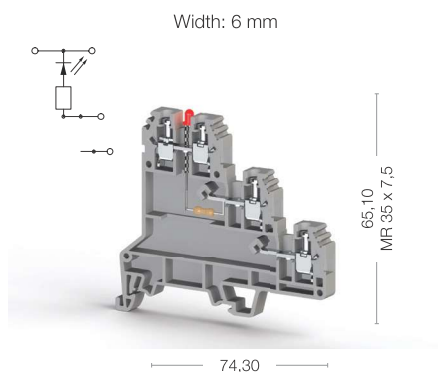
6/3
1/A3
IP 20 / -
DB 5

Package Quantity
20 pcs.

20 pcs.

20 pcs.

PUK 3 SLD (PNP)/NM



Cat No:

- 309 519
- 309 510

Voltage, V ~	Current, A	Cross-Section
24	24	2,5 mm ²
300	20	AWG 24-12

0,2-4 mm ²
0,2-4 mm ²
0,5-1,5 mm ²
AWG 24-12
7-8 mm
0,4-0,6 Nm
IKT 3 (0,6x3,5)

Type	Cat.No.	Qty.
NPP/PUK 3 S/NM	451 359	10

Type	Cat.No.	Qty.
UK 2,5/2	480 132	25
UK 2,5/3	480 133	20
UK 2,5/4	480 134	15
UK 2,5/10	480 139	5
UK 2,5/35	480 140	5

6/3
1/A3
IP 20 / PE
DB 5

20 pcs.

WGO Series "V0" Test / Disconnect Terminals

WGO 3/NM

Width: 8 mm

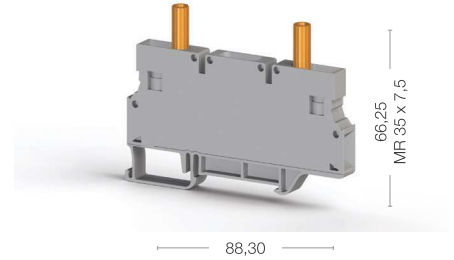


Cat No:

309 569
309 560

WGO 4/NM

Width: 8 mm



Cat No:

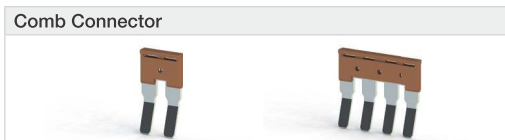
309 589
309 580



Electrical Ratings
CE (EN 60947-7-1)
UL
VDE (IEC 60947-7-1)
CSA
ATEX

Connection Data
Conductor cross section solid (min.-max.)
Conductor cross section stranded (min.-max.)
2 conductors with same cross section, stranded, TWIN ferrules with plastic sleeve, (min.-max.)
AWG Conductor
Insulation Stripping Length (min.-max.)
Torque (min.-max.)
Screwdriver

Ordering Data
Without Socket - Beige / Grey
One Socket - Beige / Grey
Double Socket - Beige / Grey
One Test Socket - Beige / Grey
Double Test Socket - Beige / Grey



Technical Data
Rated Impulse Voltage / Pollution severity
Insulation material group / Gauge pin code according to IEC 60947-1
Protection class / Protection conductor type
Marking Tags (Dekafix)
See pages 326-333 for a list of Dekafix
Package Quantity

Voltage, V ~	Current, A	Cross-Section
400	41	6 mm ²
300	43	AWG 20-8
400	36	0,5-10 mm ²

0,2-10 mm ²
0,2-10 mm ²
0,5-4 mm ²
AWG 24-8
10-12 mm
0,8-1,2 Nm
IKT 4 (0,8x4,0)

Type	Cat.No.	Qty.
WGO 3/NM	309 529 - 520	50
WGO 3/NM	309 539 - 530	50
WGO 3/NM	309 549 - 540	50
WGO 3/NM	309 559 - 550	50
WGO 3/NM	309 569 - 560	50

Type	Cat.No.	Qty.
NPP/WGO 3/NM	451 369	25

Type	Cat.No.	Qty.
IZUK 6/2/NM	470 372	10
IZUK 6/3/NM	470 373	10
IZUK 6/4/NM	470 374	10
IZUK 6/6/NM	470 376	10
IZUK 6/10/NM	470 379	5
WGO UAA	498 300	1

Type	Cat.No.	Qty.
TF (Ø4)	493 050	10

Type	Cat.No.	Qty.
TKO 6/2/NM	470 352	25
TKO 6/3/NM	470 353	20
TKO 6/4/NM	470 354	15
TKO 6/10/NM	470 359	5

6/3
1/B5
IP 20 / -
D-NS 8x10, DG 10/8
50 pcs.

Voltage, V ~	Current, A	Cross-Section
1000	41	6 mm ²
300	48	AWG 26-8
400	36	0,5-10 mm ²

0,2-10 mm ²
0,2-10 mm ²
0,5-4 mm ²
AWG 24-8
10-12 mm
0,8-1,0 Nm
IKT 4 (0,8x4,0)

Type	Cat.No.	Qty.
WGO 4/NM	309 579 - 570	50
WGO 4/NM	309 589 - 580	50

Type	Cat.No.	Qty.

Type	Cat.No.	Qty.
IZUK 6/2/NM	470 372	10
IZUK 6/3/NM	470 373	10
IZUK 6/4/NM	470 374	10
IZUK 6/6/NM	470 376	10
IZUK 6/10/NM	470 379	5

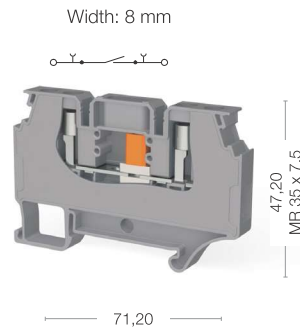
Type	Cat.No.	Qty.
TF (Ø4)	493 050	10

Type	Cat.No.	Qty.
UK 6/2/NM	470 322	25
UK 6/3/NM	470 323	20
UK 6/4/NM	470 324	15
UK 6/10/NM	470 329	5

6/3
1/B5
IP 20 / -
D-NS 8x10, DG 10/8, SLF-P1 W
50 pcs.

WGO 6 Series "V0" Test / Disconnect Terminals

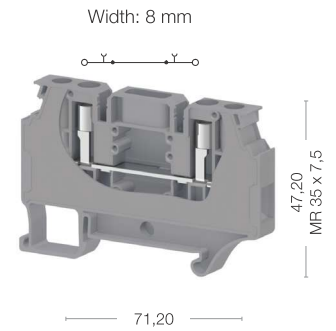
WGO 6/NM



Cat No:

- 309 609
- 309 600

WGO D6/NM



Cat No:

- 309 619
- 309 610



Electrical Ratings
CE (EN 60947-7-1)
UL
VDE (IEC 60947-7-1)
CSA
ATEX

Voltage, V ~	Current, A	Cross-Section
1000	41	6 mm ²
600	50	AWG 24-8

Voltage, V ~	Current, A	Cross-Section
1000	41	6 mm ²
600	50	AWG 24-8

Connection Data
Conductor cross section solid (min.-max.)
Conductor cross section stranded (min.-max.)
AWG Conductor
Torque
Hole Diameter
Bolt Diameter
Screwdriver

0,2-10 mm ²
0,2-10 mm ²
AWG 24-8
0,8-1,0 Nm
10 mm
B5
IKT 4 (0,8x4)

0,2-10 mm ²
0,2-10 mm ²
AWG 24-8
0,8-1,0 Nm
10 mm
B5
IKT 4 (0,8x4)

Cross Connection

Type	Cat.No.	Qty.
CS 6/2	470 122	25
CS 6/3	470 123	20
CS 6/4	470 124	15
CS 6/5	470 125	10
CS 6/10	470 129	5
SCS 6/2	470 172	25
SCS 6/3	470 173	20
SCS 6/4	470 174	15

Type	Cat.No.	Qty.
CS 6/2	470 122	25
CS 6/3	470 123	20
CS 6/4	470 124	15
CS 6/5	470 125	10
CS 6/10	470 129	5
SCS 6/2	470 172	25
SCS 6/3	470 173	20
SCS 6/4	470 174	15

Plastic Lock
Grey
Orange
Black

Type	Cat.No.	Qty.
WGO 6_PK	469 079	50
WGO 6_PK	469 077	50
WGO 6_PK	469 075	50

Type	Cat.No.	Qty.

Coding Plastic
Orange
Blue
Green
Yellow
Red
Black

Type	Cat.No.	Qty.
WGO 6_KP	469 067	50
WGO 6_KP	469 061	50
WGO 6_KP	469 062	50
WGO 6_KP	469 063	50
WGO 6_KP	469 064	50
WGO 6_KP	469 065	50

Type	Cat.No.	Qty.
WGO 6_KP	469 067	50
WGO 6_KP	469 061	50
WGO 6_KP	469 062	50
WGO 6_KP	469 063	50
WGO 6_KP	469 064	50
WGO 6_KP	469 065	50

Test Plug

Type	Cat.No.	Qty.
TF04	493 050	10

Type	Cat.No.	Qty.
TF04	493 050	10

Cross Connection Holder

Type	Cat.No.	Qty.
ATCS 6	499 559	20

Type	Cat.No.	Qty.
ATCS 6	499 559	20

Technical Data
Rated Impulse Voltage / Pollution severity
Insulation material group / Gauge pin code according to IEC 60947-1
Protection class / Protection conductor type
Marking Tags (Dekafix)
See pages 326-333 for a list of Dekafix

6/3
1/NA
IP 20 / -
D-NS 8x10, DG 10/8, SLF-P1 W

6/3
1/NA
IP 20 / -
D-NS 8x10, DG 10/8, SLF-P1 W

Package Quantity

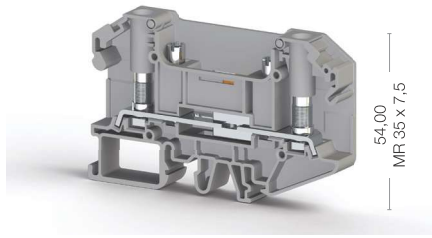
50 pcs.

50 pcs.

WGO PB Series "V0" Test / Disconnect Terminals

WGO PB 6/NM

Width: 11 mm



54,00
MR 35 x 7,5

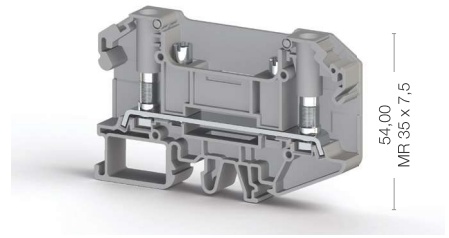
86,60

Cat No:

- 308 069
- 308 060

WGO PBD 6/NM

Width: 11 mm



54,00
MR 35 x 7,5

86,60

Cat No:

- 308 079
- 308 070



Electrical Ratings
CE (EN 60947-7-1)
UL
VDE (IEC 60947-7-1)
CSA
ATEX

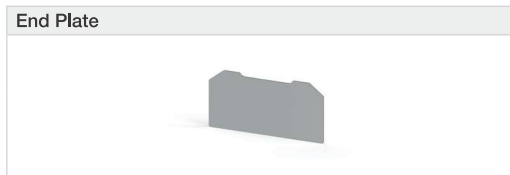
Voltage, V ~	Current, A	Cross-Section
1000	41	6 mm ²
600	45	AWG 22-8
600	45	AWG 22-8
630	36	0,5-6 mm ²

Voltage, V ~	Current, A	Cross-Section
1000	41	6 mm ²
600	45	AWG 22-8
600	45	AWG 22-8

Connection Data
Conductor cross section solid (min.-max.)
Conductor cross section stranded (min.-max.)
AWG Conductor
Torque
Hole Diameter
Bolt Diameter
Screwdriver

0,5-6 mm ²
0,5-6 mm ²
AWG 22-8
0,8-1,2 Nm
4,2 mm
4 mm
IKT 5 (1,0x5,5)

0,5-6 mm ²
0,5-6 mm ²
AWG 22-8
0,8-1,2 Nm
4,2 mm
4 mm
IKT 5 (1,0x5,5)



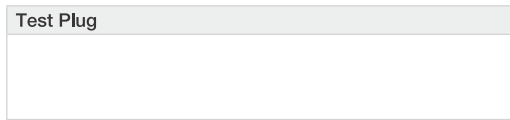
Type	Cat.No.	Qty.
NPP/WGO PB 6	451 009	25
APP/WGO PB 6	464 019	25

Type	Cat.No.	Qty.
NPP/WGO PB 6	451 009	25
APP/WGO PB 6	464 019	25



Type	Cat.No.	Qty.
TKO PB 6/2	479 002	25
TKO PB 6/3	479 003	20
TKO PB 6/4	479 004	15
TKO PB 6/7	479 007	5
TKO PB 6/10	479 009	5

Type	Cat.No.	Qty.
TKO PB 6/2	479 002	25
TKO PB 6/3	479 003	20
TKO PB 6/4	479 004	15
TKO PB 6/7	479 007	5
TKO PB 6/10	479 009	5



Technical Data
Rated Impulse Voltage / Pollution severity
Insulation material group / Gauge pin code according to IEC 60947-1
Protection class / Protection conductor type
Marking Tags (Dekafix)
See pages 326-333 for a list of Dekafix

6/3
1/NA
IP 20 / -
D-NS 8x10, DG 10/8

8/3
1/NA
IP 20 / -
D-NS 8x10, DG 10/8

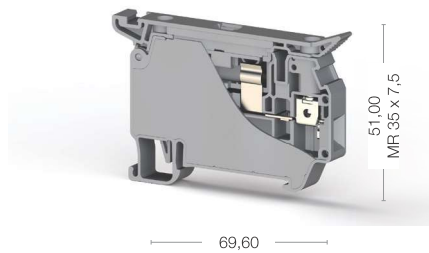
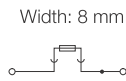
25 pcs.

25 pcs.

25 pcs.

Screw Type "V0" Fuse Terminals

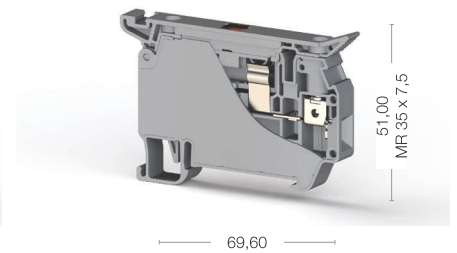
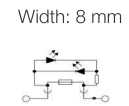
ASK 5/NM



Cat No:

■ 315 009

ASK 5 LD/NM



Cat No:

■ 315 019



Electrical Ratings
CE (EN 60947-7-3)
UL
VDE (IEC 60947-7-1)
CSA
ATEX

Voltage, V ~	Current, A	Cross-Section
500	10	4 mm ²
300	10	AWG 26-10

Voltage, V ~	Current, A	Cross-Section
	10	4 mm ²
	10	AWG 26-10

Connection Data
Conductor cross section solid (min.-max.)
Conductor cross section stranded (min.-max.)
2 conductors with same cross section, stranded, TWIN ferrules with plastic sleeve, (min.-max.)
AWG Conductor
Insulation Stripping Length (min.-max.)
Torque (min.-max.)
Screwdriver

0,2-6 mm ²
0,2-6 mm ²
0,5-2,5 mm ²
AWG 24-10
8-9 mm
0,5-0,8 Nm
IKT 3 (0,6x3,5)

0,2-6 mm ²
0,2-6 mm ²
0,5-2,5 mm ²
AWG 24-10
8-9 mm
0,5-0,8 Nm
IKT 3 (0,6x3,5)

Ordering Data

Type	Cat.No.	Qty.
ASK 5 LD/NM 24V AC/DC	315 019	50
ASK 5 LD /NM 110V AC/DC	315 029	50
ASK 5 LD /NM 220V AC/DC	315 039	50

Type	Cat.No.	Qty.
ASK 5 LD/NM 24V AC/DC	315 019	50
ASK 5 LD /NM 110V AC/DC	315 029	50
ASK 5 LD /NM 220V AC/DC	315 039	50



Type	Cat.No.	Qty.
UK 6/2/NM	470 322	25
UK 6/3/NM	470 323	20
UK 6/4/NM	470 324	15
UK 6/10/NM	470 329	5

Type	Cat.No.	Qty.
UK 6/2/NM	470 322	25
UK 6/3/NM	470 323	20
UK 6/4/NM	470 324	15
UK 6/10/NM	470 329	5

Technical Data
Rated Impulse Voltage / Pollution severity
Insulation material group / Gauge pin code according to IEC 60947-1
Protection class / Protection conductor type
Fuse / Fuse Type
Marking Tags (Dekafix)
See pages 326-333 for a list of Dekafix

6/3
1/A4
IP 20 / -
G/5x20-5x25
D-NS 8x10, DG 10/8

6/3
1/A4
IP 20 / -
G/5x20-5x25
D-NS 8x10, DG 10/8

Package Quantity
50 pcs.

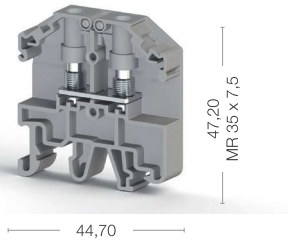
50 pcs.

Package Quantity
50 pcs.

PB Series "V0" Feed Through and Earth Terminals

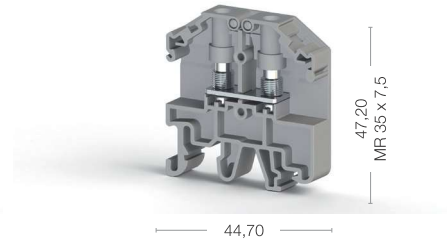
PB 2,5/NM

Width: 9 mm



PB 2,5K/NM

Width: 9 mm



Cat No:

308 029

Cat No:

308 039



Electrical Ratings
CE (EN 60947-7-1 / EN 60947-7-2)
UL
VDE (IEC 60947-7-1)
CSA
ATEX

Voltage, V ~	Current, A	Cross-Section
800	24	2,5 mm ²
600	20/15	AWG 26-14
600	20/15	AWG 26-14

Voltage, V ~	Current, A	Cross-Section
800	24	2,5 mm ²
600	20/15	AWG 26-14
600	20/15	AWG 26-14

Connection Data
Conductor cross section solid (min.-max.)
Conductor cross section stranded (min.-max.)
AWG Conductor
Torque (min.-max.)
Hole Diameter
Bolt Diameter
Screwdriver
Rail Tightening torque, min.-max.

0,1-2,5 mm ²
0,1-2,5 mm ²
AWG 26-14
0,6-0,8 Nm
3,2 mm
3,0 mm
IKT 4 (0,8x4,0)

0,1-2,5 mm ²
0,1-2,5 mm ²
AWG 26-14
0,6-0,8 Nm
3,2 mm
3,0 mm
IKT 4 (0,8x4,0)

End Plate - Disconnect Plate

Type	Cat.No.	Qty.
NPP/PB 2,5/NM	451 029	25
APP/PB 2,5-6/NM	464 009	25

Type	Cat.No.	Qty.
NPP/PB 2,5/NM	451 029	25
APP/PB 2,5-6/NM	464 009	25

Cross Connection

Type	Cat.No.	Qty.
TKO PB 2,5/2	479 012	25
TKO PB 2,5/3	479 013	20
TKO PB 2,5/4	479 014	15
TKO PB 2,5/7	479 017	5
TKO PB 2,5/10	479 019	5

Type	Cat.No.	Qty.
TKO PB 2,5/2	479 012	25
TKO PB 2,5/3	479 013	20
TKO PB 2,5/4	479 014	15
TKO PB 2,5/7	479 017	5
TKO PB 2,5/10	479 019	5

Test Plug

Type	Cat.No.	Qty.

Type	Cat.No.	Qty.
TF (Ø2,3)	493 023	5

Technical Data
Rated Impulse Voltage / Pollution severity
Insulation material group / Gauge pin code according to IEC 60947-1
Protection class / Protection conductor type
Marking Tags (Dekafix)
See pages 326-333 for a list of Dekafix

8/3
1/NA
IP 20 / -
D-NS 6x10, DB 10/6, DG 10/6, DG 10/6T

8/3
1/NA
IP 20 / -
D-NS 6x10, DB 10/6, DG 10/6, DG 10/6T

Package Quantity

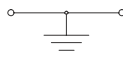
45 pcs.

45 pcs.

PB Series "V0" Feed Through and Earth Terminals

PB 6 T/NM

Width: 12 mm



53,50
MR35 x 7,5

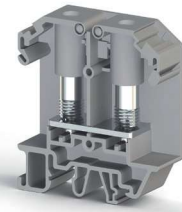
44,70

Cat No:

337 000

PB 25/NM (M5)

Width: 18 mm



64,30
MR35 x 7,5

60,00


Cat No:

308 049



Electrical Ratings
CE (EN 60947-7-1 / EN 60947-7-2)
UL
VDE (IEC 60947-7-1)
CSA
ATEX

Connection Data	
Conductor cross section solid (min-max.)	0,5-6 mm ²
Conductor cross section stranded (min.-max.)	0,5-6 mm ²
AWG Conductor	AWG 22-8
Torque (min-max.)	0,8-1,2 Nm
Hole Diameter	4 mm
Bolt Diameter	4,0 mm
Screwdriver	IKT 5 (1,0x5,5)
Rail Tightening torque, min-max.	0,6-08 Nm

End Plate - Disconnect Plate


Cross Connection


Technical Data	
Rated Impulse Voltage / Pollution severity	8/3
Insulation material group / Gauge pin code according to IEC 60947-1	1/NA
Protection class / Protection conductor type	IP 20 / PE
Marking Tags (Dekafix)	
See pages 326-333 for a list of Dekafix	D-NS 8x10, DG 10/8

Package Quantity
40 pcs.

Voltage, V ~	Current, A	Cross-Section
		6 mm ²
		AWG 22-8
		AWG 22-8

Voltage, V ~	Current, A	Cross-Section
800	101	25 mm ²
600	115/85	AWG 26-4
600	115/85	AWG 26-4

Type	Cat.No.	Qty.
NPP PB 25/NM	451 039	25
APP PB 25/NM	464 019	25

Type	Cat.No.	Qty.
TKO PB 25/2	479 022	25

Technical Data	
Rated Impulse Voltage / Pollution severity	8/3
Insulation material group / Gauge pin code according to IEC 60947-1	1/NA
Protection class / Protection conductor type	IP 20 / PE
Marking Tags (Dekafix)	
See pages 326-333 for a list of Dekafix	D-NS 10x10, DG 10/10, D-NS 12x10

Package Quantity
10 pcs.

Voltage, V ~	Current, A	Cross-Section
800	101	25 mm ²
600	115/85	AWG 26-4
600	115/85	AWG 26-4

Voltage, V ~	Current, A	Cross-Section
800	101	25 mm ²
600	115/85	AWG 26-4
600	115/85	AWG 26-4

Type	Cat.No.	Qty.
NPP PB 25/NM	451 039	25
APP PB 25/NM	464 019	25

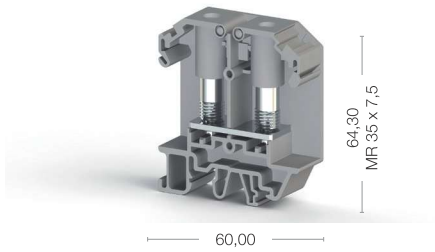
Type	Cat.No.	Qty.
TKO PB 25/2	479 022	25

Technical Data	
Rated Impulse Voltage / Pollution severity	8/3
Insulation material group / Gauge pin code according to IEC 60947-1	1/NA
Protection class / Protection conductor type	IP 20 / PE
Marking Tags (Dekafix)	
See pages 326-333 for a list of Dekafix	D-NS 10x10, DG 10/10, D-NS 12x10

Package Quantity
10 pcs.

PB 25/NM (M6)

Width: 18 mm



Cat No:

■ 308 059

Voltage, V ~	Current, A	Cross-Section
800	101	25 mm ²
600	115/85	AWG 26-4
600	115/85	AWG 26-4

1,5-25 mm ²
1,5-25 mm ²
AWG 16-4
3,2-3,7 Nm
6,2 mm
6,0 mm
IKT 5 (1,0x5,5)

Type	Cat.No.	Qty.
NPP PB 25/NM	451 039	25
APP PB 25/NM	464 019	25

Type	Cat.No.	Qty.
TKO PB 25/2	479 022	25

8/3
1/NA
IP 20 / PE
D-NS 10x10, DG 10/10, D-NS 12x10

10 pcs.

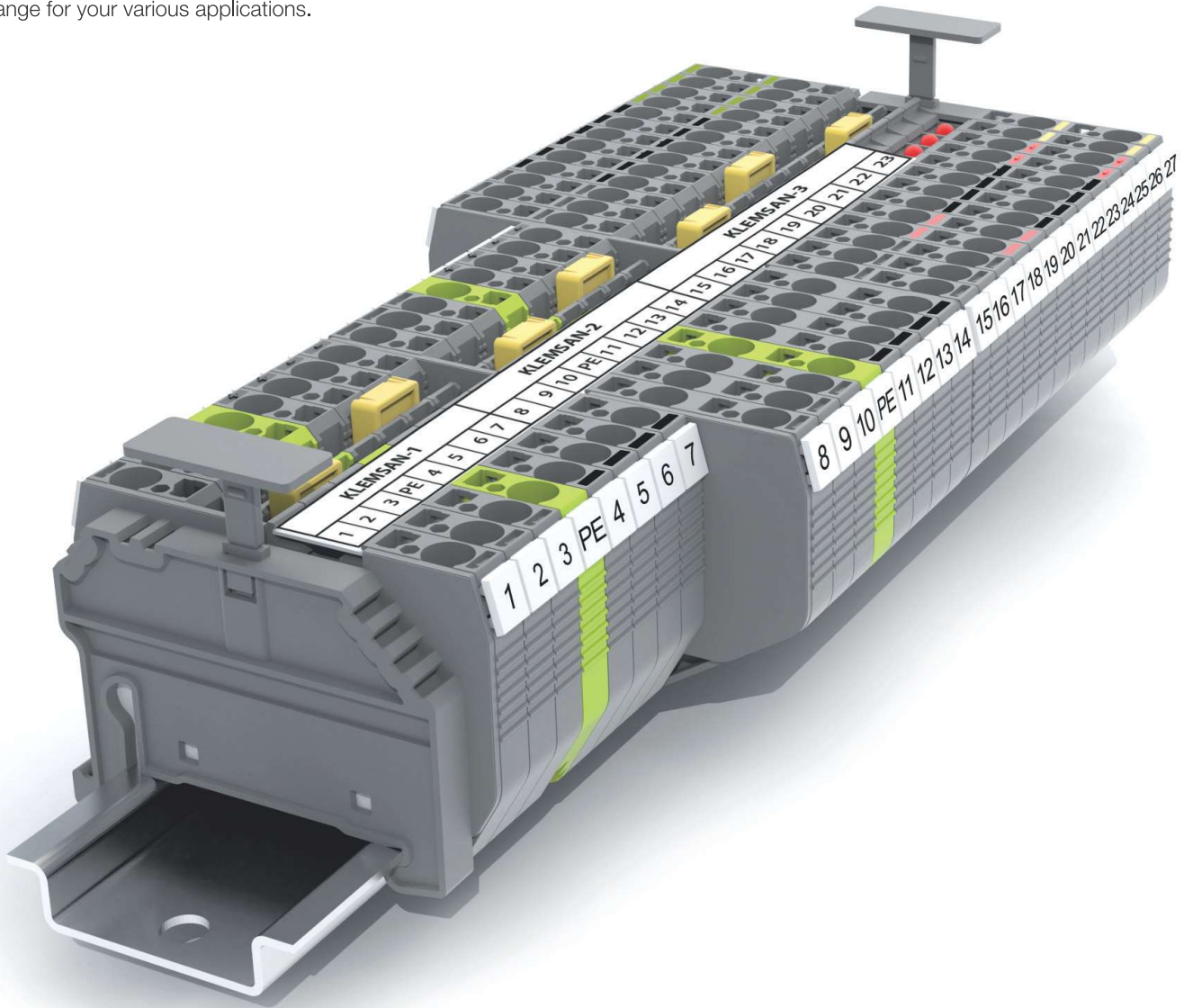
SRD Series Terminals

Complying EN 45545-2 European railway standard for fire safety classes R22-R23-R24-R26 for HL1 - HL2 - HL3

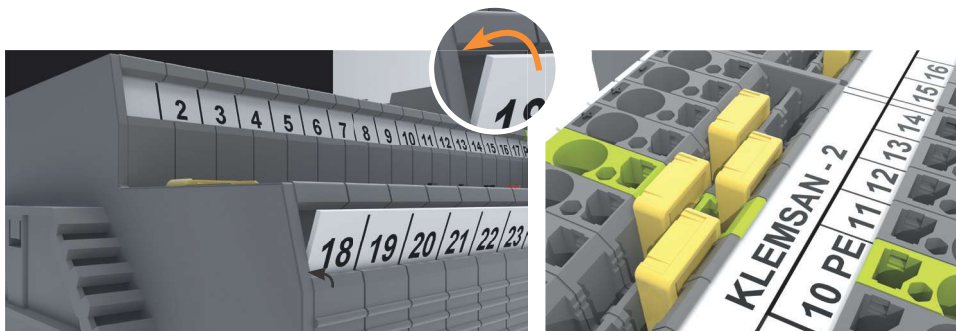
This is to certify that representative samples of the product as specified on this certificate were tested according to the current UL requirements.

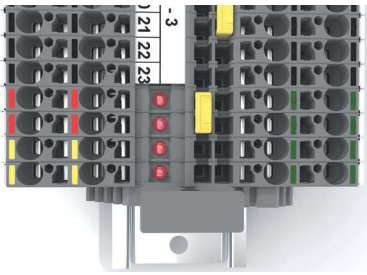
Thanks to new ergonomical design and used push-in cross connections, SRD Series have quicker and easier rail mounting advantages compared with YBK series.

You can select special types SRD Series terminals (such as Led, Diodes... etc.) from the range for your various applications.

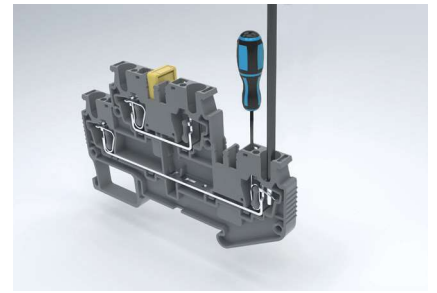


SRD Series can be marked with marking strips, printed with thermal transfer printers. Single floor terminals can be marked with 11.2 mm strip labels, and double floor terminals can be marked with 4.9 mm strip labels.

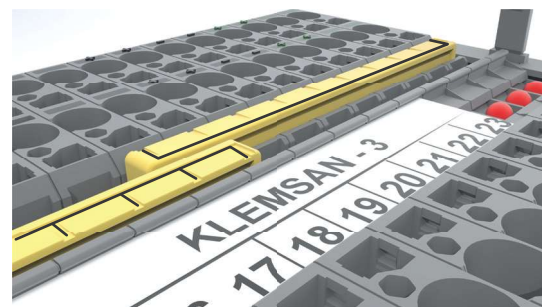
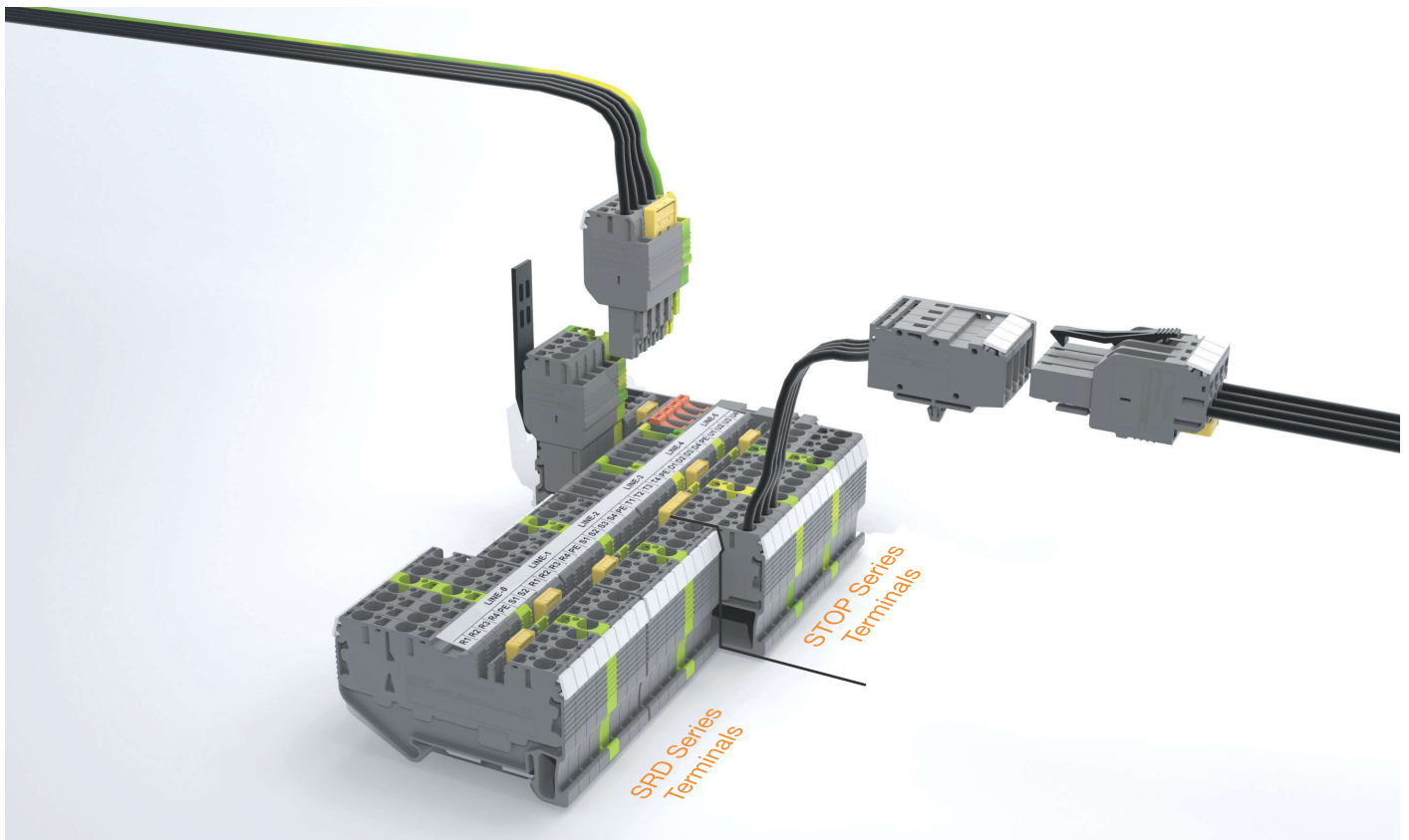




- ■ (Green +) and (Red -) : ..V/DC and Diode Version
- (Blue) : Neutral Connections
- (Black) : Combined Connections
- (Yellow) : Combined Connections



Wire Assembly for Terminals:
Wires can be assembled quickly and easily by opening the spring cage with suitable screwdriver



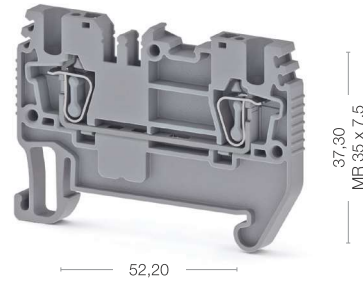
Cross Connection:

Thanks to dual cross connection ability, user can make continous cross connections. Same cross connections can be used together with STOP series even on same din rail Project. You can use permanent markers to indicate poles on cross-connectors.

SRD 1,5

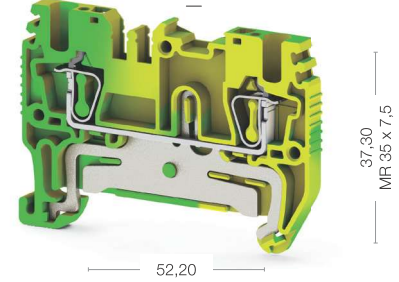
SRD 1,5

Width: 4,2 mm



SRD 1,5 T

Width: 4,2 mm



Cat No:

311 009
311 000

Cat No:

337 080



Electrical Ratings

IEC (EN 60947-7-1/EN 60947-7-2)
UL
VDE (IEC 60947-7-1)
CSA
ATEX

Voltage, V ~	Current, A	Cross-Section
800	17,5	0,08 - 1,5 mm ²

Voltage, V ~	Current, A	Cross-Section
		0,08 - 1,5 mm ²

Connection Data

Conductor cross section solid (min.-max.)	0,08 - 1,5 mm ²
Conductor cross section stranded (min.-max.)	0,08 - 1,5 mm ²
2 conductors with same cross section, stranded, TWIN ferrules with plastic sleeve	0,5 mm ²
AWG Conductor	28-16
Insulation Stripping Length (min.-max.)	8-10
Screwdriver	KT1 (0,4x2,5)

Technical Data For Diode

Diode Reverse Voltage
Diode Current
Diode

End Plate



Type	Cat.No.	Qty.
NPP/SRD 2,5	451 059	50

Type	Cat.No.	Qty.
NPP/SRD 2,5	451 052T	50

Partition Plate



Type	Cat.No.	Qty.
APP/SRD 2,5	464 029	50

Type	Cat.No.	Qty.
APP/SRD 2,5	464 029	50

Test Plug



Type	Cat.No.	Qty.
TF Ø2	493 020	5

Type	Cat.No.	Qty.
TF Ø2	493 020	5

Cross Connection



Type	Cat.No.	Qty.
CS 1,5/2	470 002	25
CS 1,5/3	470 003	20
CS 1,5/4	470 004	15
CS 1,5/5	470 005	10
CS 1,5/10	470 009	5

Type	Cat.No.	Qty.

Technical Data

Rated Impulse Voltage / Pollution severity
Insulation material group / Gauge pin code according to IEC 60947-1
Protection class / Protection conductor type

8/3
1/A3
IP20/NA

8/3
1/A3
IP20/PE

Marking Tags (Dekafix)

See pages 326-333 for a list of Dekafix

D-NS 4,2x6, SLF-P1 W

D-NS 4,2x6, SLF-P1 W

Package Quantity

50

50

50

SRD 1,5 E

Width: 4,2 mm

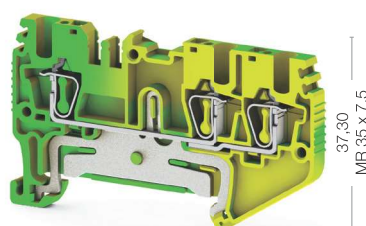


37,30
MF 35 x 7,5

65,20

SRD 1,5 ET

Width: 4,2 mm



37,30
MF 35 x 7,5

65,20

Cat No:

- 310 019
- 310 010

Cat No:

- 337 090

Voltage, V ~	Current, A	Cross-Section
800	17,5	0,08 - 1,5 mm ²

0,08 - 1,5 mm ²		
0,08 - 1,5 mm ²		
0,5 mm ²		
28-16		
8-10		
KT1 (0,4x2,5)		

Type	Cat.No.	Qty.
NPP/SRD 2,5 E	451 159	50

Type	Cat.No.	Qty.
APP/SRD 2,5 E	464 079	50

Type	Cat.No.	Qty.
TF Ø2	493 020	5

Type	Cat.No.	Qty.
CS 1,5/2	470 002	25
CS 1,5/3	470 003	20
CS 1,5/4	470 004	15
CS 1,5/5	470 005	10
CS 1,5/10	470 009	5

8/3		
1/A3		
IP20/NA		
D-NS 4,2x6, SLF-P1 W		

50

Voltage, V ~	Current, A	Cross-Section
		0,08 - 1,5 mm ²

0,08 - 1,5 mm ²		
0,08 - 1,5 mm ²		
0,5 mm ²		
28-16		
8-10		
KT1 (0,4x2,5)		

Type	Cat.No.	Qty.
NPP/SRD 2,5 E	451 152T	50

Type	Cat.No.	Qty.
APP/SRD 2,5 E	464 079	50

Type	Cat.No.	Qty.
TF Ø2	493 020	5

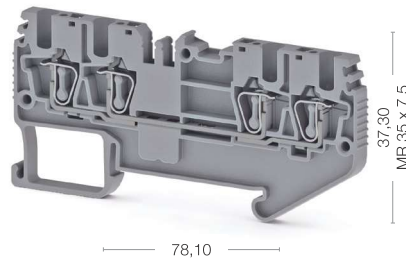
8/3		
1/A3		
IP20/PE		
D-NS 4,2x6, SLF-P1 W		

50

SRD 1,5

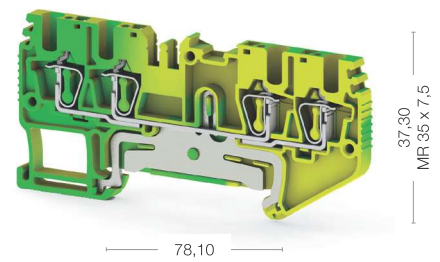
SRD 1,5 C

Width: 4,2 mm



SRD 1,5 CT

Width: 4,2 mm



Cat No:

311 029
311 020

Cat No:

337 100



Electrical Ratings

IEC (EN 60947-7-1/EN 60947-7-2)
UL
VDE (IEC 60947-7-1)
CSA
ATEX

Voltage, V ~	Current, A	Cross-Section
800	17,5	0,08 - 1,5 mm ²

Voltage, V ~	Current, A	Cross-Section
		0,08 - 1,5 mm ²

Connection Data

Conductor cross section solid (min.-max.)	0,08 - 1,5 mm ²
Conductor cross section stranded (min.-max.)	0,08 - 1,5 mm ²
2 conductors with same cross section, stranded, TWIN ferrules with plastic sleeve	0,5 mm ²
AWG Conductor	28-16
Insulation Stripping Length (min.-max.)	8-10
Screwdriver	KT1 (0,4x2,5)

Technical Data For Diode

Diode Reverse Voltage
Diode Current
Diode

End Plate



Type	Cat.No.	Qty.
NPP/SRD 2,5 C	451 189	50

Type	Cat.No.	Qty.
NPP/SRD 2,5 C	451 182T	50

Partition Plate



Type	Cat.No.	Qty.
APP/SRD 2,5 C	464 119	50

Type	Cat.No.	Qty.
APP/SRD 2,5	464 119	50

Test Plug



Type	Cat.No.	Qty.
TF Ø2	493 020	5

Type	Cat.No.	Qty.
TF Ø2	493 020	5

Cross Connection



Type	Cat.No.	Qty.
CS 1,5/2	470 002	25
CS 1,5/3	470 003	20
CS 1,5/4	470 004	15
CS 1,5/5	470 005	10
CS 1,5/10	470 009	5

Type	Cat.No.	Qty.

Technical Data

Rated Impulse Voltage / Pollution severity
Insulation material group / Gauge pin code according to IEC 60947-1
Protection class / Protection conductor type

8/3
1/A3
IP20/NA

8/3
1/A3
IP20/PE

Marking Tags (Dekafix)

See pages 326-333 for a list of Dekafix

D-NS 4,2x6, SLF-P1 W

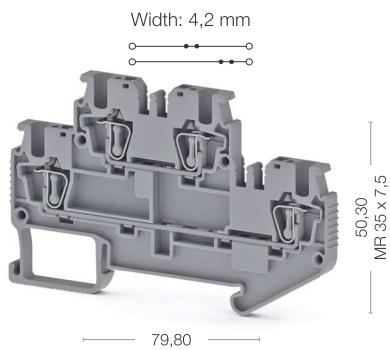
D-NS 4,2x6, SLF-P1 W

Package Quantity

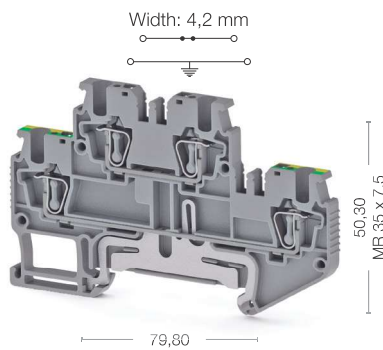
50

50

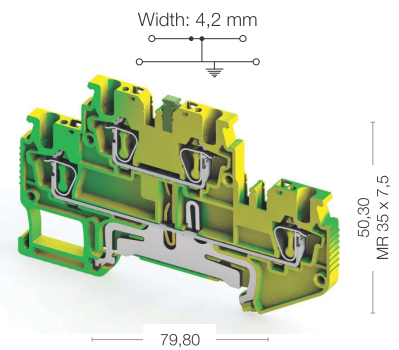
SRD 1,5 2F



SRD 1,5 FT



SRD 1,5 2T



Cat No:

311 049 311 045
311 040

Voltage, V ~	Current, A	Cross-Section
500	17,5	0,08 - 1,5 mm ²

0,08 - 1,5 mm ²		
0,08 - 1,5 mm ²		
0,5 mm ²		
28-16		
8-10		
KT1 (0,4x2,5)		

Type	Cat.No.	Qty.
NPP / SRD 2.5_2F	451 079	50

Type	Cat.No.	Qty.
APP / SRD 2.5_2F	464 069	50

Type	Cat.No.	Qty.
TF Ø2	493 020	5

Type	Cat.No.	Qty.
CS 1,5/2	470 002	25
CS 1,5/3	470 003	20
CS 1,5/4	470 004	15
CS 1,5/5	470 005	10
CS 1,5/10	470 009	5

8/3		
1/A3		
IP20/NA		
D-NS 4,2x6, SLF-P2 W		

50

Cat No:

311 039
311 030

Voltage, V ~	Current, A	Cross-Section
500	17,5	0,08 - 1,5 mm ²

0,08 - 1,5 mm ²		
0,08 - 1,5 mm ²		
0,5 mm ²		
28-16		
8-10		
KT1 (0,4x2,5)		

Type	Cat.No.	Qty.
NPP / SRD 2.5_2F	451 079	50

Type	Cat.No.	Qty.
APP / SRD 2.5_2F	464 069	50

Type	Cat.No.	Qty.
TF Ø2	493 020	5

Type	Cat.No.	Qty.
CS 1,5/2	470 002	25
CS 1,5/3	470 003	20
CS 1,5/4	470 004	15
CS 1,5/5	470 005	10
CS 1,5/10	470 009	5

8/3		
1/A3		
IP20/NA/PE		
D-NS 4,2x6, SLF-P2 W		

50

Cat No:

337 110

Voltage, V ~	Current, A	Cross-Section
		0,08 - 1,5 mm ²

0,08 - 1,5 mm ²		
0,08 - 1,5 mm ²		
0,5 mm ²		
28-16		
8-10		
KT1 (0,4x2,5)		

Type	Cat.No.	Qty.
NPP / SRD 2.5_2F	451 079	50

Type	Cat.No.	Qty.
APP / SRD 2.5_2F	464 069	50

Type	Cat.No.	Qty.
TF Ø2	493 020	5

Type	Cat.No.	Qty.
CS 1,5/2	470 002	25
CS 1,5/3	470 003	20
CS 1,5/4	470 004	15
CS 1,5/5	470 005	10
CS 1,5/10	470 009	5

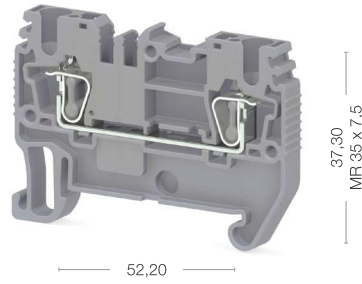
8/3		
1/A3		
IP20/PE		
D-NS 4,2x6, SLF-P2 W		

50

SRD 2,5

SRD 2,5

Width: 5,2 mm

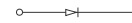


37,30
MR 35 x 7,5

52,20

SRD 2,5 D-A

Width: 5,2 mm



37,30
MR 35 x 7,5

52,20

Cat No:

- 311 059
- 311 050

Cat No:

- 311 069
- 311 060



Electrical Ratings

IEC (EN 60947-7-1/EN 60947-7-2)
UL
VDE (IEC 60947-7-1)
CSA
ATEX

Voltage, V ~	Current, A	Cross-Section
800	24	2,5 mm ²
600	20	AWG 28-12

Voltage, V ~	Current, A	Cross-Section
800	1	2,5 mm ²
600	1	AWG 28-12

The max. current is determined by the diode.
Installed: Diode 1N 4007, reverse voltage: 1300 V, maximum continuous current: 0.5 A.

Connection Data

Conductor cross section solid (min.-max.)
Conductor cross section stranded (min.-max.)
2 conductors with same cross section, stranded, TWIN ferrules with plastic sleeve
AWG Conductor
Insulation Stripping Length (min.-max.)
Screwdriver

0,08 - 4 mm ²
0,14 - 2,5 mm ²
0,5 mm ²
28-12
8-10
KT1 (0,4x2,5)

0,08 - 4 mm ²
0,14 - 2,5 mm ²
0,5 mm ²
28-12
8-10
KT1 (0,4x2,5)

Technical Data For Diode

Diode Reverse Voltage
Diode Current
Diod

1000V
1 A
1 N 4007

End Plate



Type	Cat.No.	Qty.
NPP/SRD 2,5	451 059	50

Type	Cat.No.	Qty.
NPP/SRD 2,5	451 059	50

Partition Plate



Type	Cat.No.	Qty.
APP/SRD 2,5	464 029	50

Type	Cat.No.	Qty.
APP/SRD 2,5	464 029	50

Test Plug



Type	Cat.No.	Qty.
TF Ø2	493 020	5

Type	Cat.No.	Qty.
TF Ø2	493 020	5

Cross Connection



Type	Cat.No.	Qty.
CS 2,5/2	470 102	25
CS 2,5/3	470 103	20
CS 2,5/4	470 104	15
CS 2,5/5	470 105	10
CS 2,5/10	470 109	5
CS 2,5/20	470 170	10

Type	Cat.No.	Qty.
CS 2,5/2	470 102	25
CS 2,5/3	470 103	20
CS 2,5/4	470 104	15
CS 2,5/5	470 105	10
CS 2,5/10	470 109	5
CS 2,5/20	470 170	10

Technical Data

Rated Impulse Voltage / Pollution severity
Insulation material group / Gauge pin code according to IEC 60947-1
Protection class / Protection conductor type
Marking Tags (Dekafix)
See pages 326-333 for a list of Dekafix

8/3
1/A3
IP20/NA
D-NS 5,2x6, SLF-P1 W

8/3
1/A3
IP20/NA
D-NS 5,2x6, SLF-P1 W

Package Quantity

50

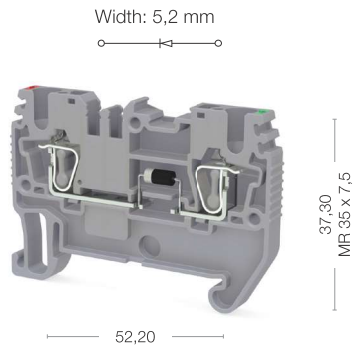
50

Color

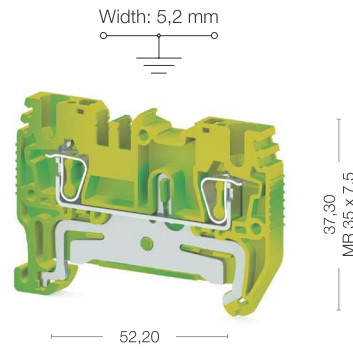
Color code is the last digit of the order number

Blue	Green	Yellow	Red	Black	White	Orange
1	2	3	4	5	6	7

SRD 2,5 D-B



SRD 2,5 T



Cat No:

- 311 079
- 311 070

Voltage, V ~	Current, A	Cross-Section
800	1	2,5 mm ²
600	1	AWG 28-12
The max. current is determined by the diode. Installed: Diode 1N 4007, reverse voltage: 1300 V, maximum continuous current: 0.5 A.		

0,08 - 4 mm ²
0,14 - 2,5 mm ²
0,5 mm ²
28-12
8-10
KT1 (0,4x2,5)

1000V
1 A
1 N 4007

Type	Cat.No.	Qty.
NPP/SRD 2,5	451 059	50

Type	Cat.No.	Qty.
APP/SRD 2,5	464 029	50

Type	Cat.No.	Qty.
TF Ø2	493 020	5

Type	Cat.No.	Qty.
CS 2,5/2	470 102	25
CS 2,5/3	470 103	20
CS 2,5/4	470 104	15
CS 2,5/5	470 105	10
CS 2,5/10	470 109	5
CS 2,5/20	470 170	10

8/3
1/A3
IP20/NA
D-NS 5,2x6, SLF-P1 W

50

Cat No:

- 337 120

Voltage, V ~	Current, A	Cross-Section
		2,5 mm ²
		AWG 28-12

0,08 - 4 mm ²
0,14 - 2,5 mm ²
0,5 mm ²
28-12
8-10
KT1 (0,4x2,5)

1000V
1 A
1 N 4007

Type	Cat.No.	Qty.
NPP/SRD 2,5	451 052T	50

Type	Cat.No.	Qty.
APP/SRD 2,5	464 029	50

Type	Cat.No.	Qty.
TF Ø2	493 020	5

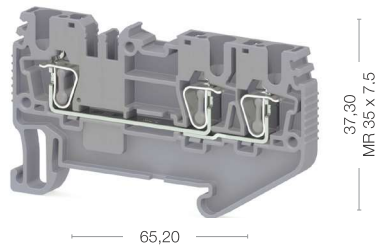
8/3
1/A3
IP20/PE
D-NS 5,2x6, SLF-P1 W

50

SRD 2,5 E

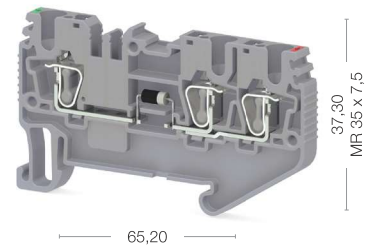
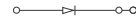
SRD 2,5 E

Width: 5,2 mm



SRD 2,5 ED-A

Width: 5,2 mm



Cat No:

- 311 089
- 311 080

Cat No:

- 311 099
- 311 090



Electrical Ratings
IEC (EN 60947-7-1/EN 60947-7-2)
UL
VDE (IEC 60947-7-1)
CSA
ATEX

Voltage, V ~	Current, A	Cross-Section
800	24	2,5 mm ²
600	20	AWG 28-12

Voltage, V ~	Current, A	Cross-Section
800	1	2,5 mm ²
600	1	AWG 28-12

The max. current is determined by the diode.
Installed: Diode 1N 4007, reverse voltage: 1300 V, maximum continuous current: 0.5 A.

Connection Data
Conductor cross section solid (min.-max.)
Conductor cross section stranded (min.-max.)
2 conductors with same cross section, stranded, TWIN ferrules with plastic sleeve
AWG Conductor
Insulation Stripping Length (min.-max.)
Screwdriver

0,08 - 4 mm ²
0,14 - 2,5 mm ²
0,5 mm ²
28-12
8-10
KT1 (0,4x2,5)

0,08 - 4 mm ²
0,14 - 2,5 mm ²
0,5 mm ²
28-12
8-10
KT1 (0,4x2,5)

Technical Data For Diode
Diode Reverse Voltage
Diode Current
Diod

1000V
1 A
1 N 4007

1000V
1 A
1 N 4007

End Plate


Type	Cat.No.	Qty.
NPP/SRD 2,5E	451 159	50

Type	Cat.No.	Qty.
NPP/SRD 2,5E	451 159	50

Partition Plate


Type	Cat.No.	Qty.
APP/SRD 2,5E	464 079	50

Type	Cat.No.	Qty.
APP/SRD 2,5E	464 079	50

Test Plug


Type	Cat.No.	Qty.
TF Ø2	493 020	5

Type	Cat.No.	Qty.
TF Ø2	493 020	5

Cross Connection


Type	Cat.No.	Qty.
CS 2,5/2	470 102	25
CS 2,5/3	470 103	20
CS 2,5/4	470 104	15
CS 2,5/5	470 105	10
CS 2,5/10	470 109	5
CS 2,5/20	470 170	10

Type	Cat.No.	Qty.
CS 2,5/2	470 102	25
CS 2,5/3	470 103	20
CS 2,5/4	470 104	15
CS 2,5/5	470 105	10
CS 2,5/10	470 109	5
CS 2,5/20	470 170	10

Technical Data
Rated Impulse Voltage / Pollution severity
Insulation material group / Gauge pin code according to IEC 60947-1
Protection class / Protection conductor type
Marking Tags (Dekafix)
See pages 326-333 for a list of Dekafix

8/3
1/A3
IP20/NA
D-NS 5,2x6, SLF-P1 W

8/3
1/A3
IP20/NA
D-NS 5,2x6, SLF-P1 W

Package Quantity
50

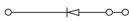
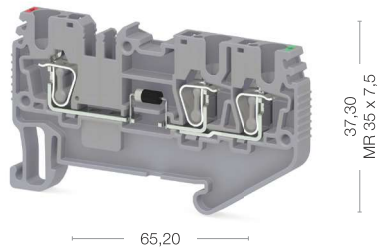
50

Package Quantity
50

Color						
Color code is the last digit of the order number						
Blue	Green	Yellow	Red	Black	White	Orange
1	2	3	4	5	6	7

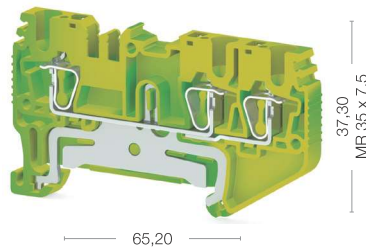
SRD 2,5 ED-B

Width: 5,2 mm

SRD 2,5 ET

Width: 5,2 mm

Cat No:

- 311 109
- 311 100

Voltage, V ~	Current, A	Cross-Section
800	1	2,5 mm ²
600	1	AWG 28-12
The max. current is determined by the diode. Installed: Diode 1N 4007, reverse voltage: 1300 V, maximum continuous current: 0.5 A.		

0,08 - 4 mm ²
0,14 - 2,5 mm ²
0,5 mm ²
28-12
8-10
KT1 (0,4x2,5)

1000V
1 A
1 N 4007

Type	Cat.No.	Qty.
NPP/SRD 2,5E	451 159	50

Type	Cat.No.	Qty.
APP/SRD 2,5E	464 079	50

Type	Cat.No.	Qty.
TF Ø2	493 020	5

Type	Cat.No.	Qty.
CS 2,5/2	470 102	25
CS 2,5/3	470 103	20
CS 2,5/4	470 104	15
CS 2,5/5	470 105	10
CS 2,5/10	470 109	5
CS 2,5/20	470 170	10

8/3
1/A3
IP20/NA
D-NS 5,2x6, SLF-P1 W

50

Cat No:

- 337 130

Voltage, V ~	Current, A	Cross-Section
		2,5 mm ²
		AWG 28-12

0,08 - 4 mm ²
0,14 - 2,5 mm ²
0,5 mm ²
28-12
8-10
KT1 (0,4x2,5)

1000V
1 A
1 N 4007

Type	Cat.No.	Qty.
NPP/SRD 2,5E	451 152T	50

Type	Cat.No.	Qty.
APP/SRD 2,5E	464 079	50

Type	Cat.No.	Qty.
TF Ø2	493 020	5

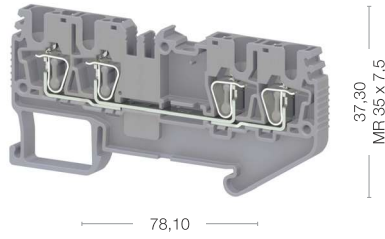
8/3
1/A3
IP20/PE
D-NS 5,2x6, SLF-P1 W

50

SRD 2,5 C

SRD 2,5 C

Width: 5,2 mm

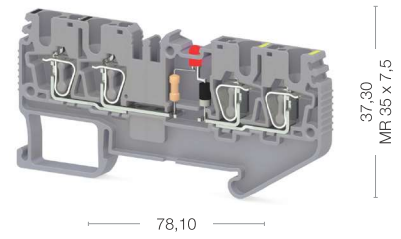
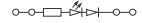


78,10

37,30
MPR 35 x 7,5

SRD 2,5 CLD-24VAC

Width: 5,2 mm



78,10

37,30
MPR 35 x 7,5

Cat No:

- 311 119
- 311 110

Cat No:

- 311 169
- 311 160



Electrical Ratings
IEC (EN 60947-7-1/EN 60947-7-2)
UL
VDE (IEC 60947-7-1)
CSA
ATEX

Voltage, V ~	Current, A	Cross-Section
800	24	2,5 mm ²
600	20	AWG 28-12

Voltage, V ~	Current, A	Cross-Section
24	24	2,5 mm ²
24V (AC)	20	AWG 28-12

Connection Data
Conductor cross section solid (min.-max.)
Conductor cross section stranded (min.-max.)
2 conductors with same cross section, stranded, TWIN ferrules with plastic sleeve
AWG Conductor
Insulation Stripping Length (min.-max.)
Screwdriver

0,08 - 4 mm ²
0,14 - 2,5 mm ²
0,5 mm ²
28-12
8-10
KT1 (0,4x2,5)

0,08 - 4 mm ²
0,14 - 2,5 mm ²
0,5 mm ²
28-12
8-10
KT1 (0,4x2,5)

Technical Data For Diode
Diode Reverse Voltage
Diode Current
Diod

1000V
1 A
1 N 4007

End Plate

Type	Cat.No.	Qty.
NPP/SRD 2,5C	451 189	50

Type	Cat.No.	Qty.
NPP/SRD 2,5C	451 059	50

Partition Plate

Type	Cat.No.	Qty.
APP/SRD 2,5C	464 119	50

Type	Cat.No.	Qty.
APP/SRD 2,5C	464 029	50

Test Plug

Type	Cat.No.	Qty.
TF Ø2	493 020	5

Type	Cat.No.	Qty.
TF Ø2	493 020	5

Cross Connection

Type	Cat.No.	Qty.
CS 2,5/2	470 102	25
CS 2,5/3	470 103	20
CS 2,5/4	470 104	15
CS 2,5/5	470 105	10
CS 2,5/10	470 109	5
CS 2,5/20	470 170	10

Type	Cat.No.	Qty.
CS 2,5/2	470 102	25
CS 2,5/3	470 103	20
CS 2,5/4	470 104	15
CS 2,5/5	470 105	10
CS 2,5/10	470 109	5
CS 2,5/20	470 170	10

Technical Data
Rated Impulse Voltage / Pollution severity
Insulation material group / Gauge pin code according to IEC 60947-1
Protection class / Protection conductor type
Marking Tags (Dekafix)
See pages 326-333 for a list of Dekafix

8/3
1/A3
IP20/NA
D-NS 5,2x6, SLF-P1 W

8/3
1/A3
IP20/NA
D-NS 5,2x6, SLF-P1 W

Package Quantity

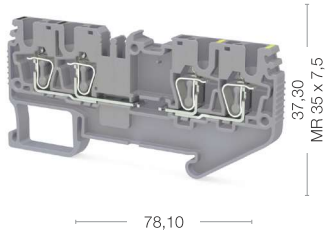
50

50

Color						
Color code is the last digit of the order number						
Blue	Green	Yellow	Red	Black	White	Orange
1	2	3	4	5	6	7

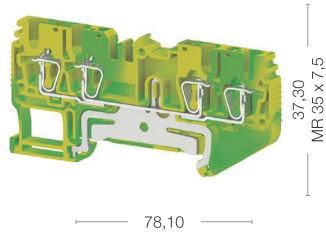
SRD 2,5 Cx2

Width: 5,2 mm



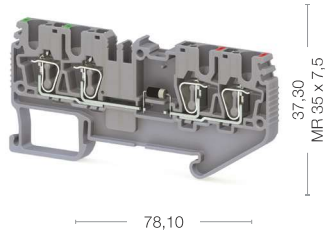
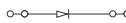
SRD 2,5 CT

Width: 5,2 mm



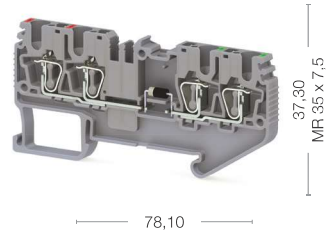
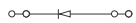
SRD 2,5 CD-A

Width: 5,2 mm



SRD 2,5 CD-B

Width: 5,2 mm



Cat No:

- 311 149
- 311 140

Voltage, V ~	Current, A	Cross-Section
500	24	2,5 mm ²
300	20	AWG 28-12

Cat No:

- 337 140

Voltage, V ~	Current, A	Cross-Section
		2,5 mm ²
		AWG 28-12

Cat No:

- 311 129
- 311 120

Voltage, V ~	Current, A	Cross-Section
800	24	2,5 mm ²
600	20	AWG 28-12

Cat No:

- 311 139
- 311 130

Voltage, V ~	Current, A	Cross-Section
800	24	2,5 mm ²
600	20	AWG 28-12

0,08 - 4 mm ²
0,14 - 2,5 mm ²
0,5 mm ²
28-12
8-10
KT1 (0,4x2,5)

0,08 - 4 mm ²
0,14 - 2,5 mm ²
0,5 mm ²
28-12
8-10
KT1 (0,4x2,5)

0,08 - 4 mm ²
0,14 - 2,5 mm ²
0,5 mm ²
28-12
8-10
KT1 (0,4x2,5)

0,08 - 4 mm ²
0,14 - 2,5 mm ²
0,5 mm ²
28-12
8-10
KT1 (0,4x2,5)

Type	Cat.No.	Qty.
NPP/SRD 2,5C	451 189	50

Type	Cat.No.	Qty.
NPP/SRD 2,5C	451 182T	50

Type	Cat.No.	Qty.
NPP/SRD 2,5C	451 189	50

Type	Cat.No.	Qty.
NPP/SRD 2,5C	451 189	50

Type	Cat.No.	Qty.
APP/SRD 2,5C	464 119	50

Type	Cat.No.	Qty.
APP/SRD 2,5C	464 119	50

Type	Cat.No.	Qty.
APP/SRD 2,5C	464 119	50

Type	Cat.No.	Qty.
APP/SRD 2,5C	464 119	50

Type	Cat.No.	Qty.
TF Ø2	493 020	5

Type	Cat.No.	Qty.
TF Ø2	493 020	5

Type	Cat.No.	Qty.
TF Ø2	493 020	5

Type	Cat.No.	Qty.
TF Ø2	493 020	5

Type	Cat.No.	Qty.
CS 2,5/2	470 102	25
CS 2,5/3	470 103	20
CS 2,5/4	470 104	15
CS 2,5/5	470 105	10
CS 2,5/10	470 109	5
CS 2,5/20	470 170	10

Type	Cat.No.	Qty.
CS 2,5/2	470 102	25
CS 2,5/3	470 103	20
CS 2,5/4	470 104	15
CS 2,5/5	470 105	10
CS 2,5/10	470 109	5
CS 2,5/20	470 170	10

Type	Cat.No.	Qty.
CS 2,5/2	470 102	25
CS 2,5/3	470 103	20
CS 2,5/4	470 104	15
CS 2,5/5	470 105	10
CS 2,5/10	470 109	5
CS 2,5/20	470 170	10

8/3
1/A3
IP20/NA
D-NS 5,2x6, SLF-P1 W

8/3
1/A3
IP20/PE
D-NS 5,2x6, SLF-P1 W

8/3
1/A3
IP20/NA
D-NS 5,2x6, SLF-P1 W

8/3
1/A3
IP20/NA
D-NS 5,2x6, SLF-P1 W

50

50

50

50

SRD 2,5 CLD-..... Ordering Data		
24VDC	Gray	311 159
	Beige	311 150
48VAC	Gray	311 189
	Beige	311 180

SRD 2,5 CLD-..... Ordering Data		
48VDC	Gray	311 179
	Beige	311 170
110VAC	Gray	311 209
	Beige	311 200

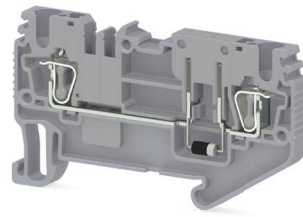
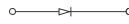
SRD 2,5 CLD-..... Ordering Data		
110VDC	Gray	311 199
	Beige	311 190
220VAC	Gray	311 229
	Beige	311 220

SRD 2,5 CLD-..... Ordering Data		
220VDC	Gray	311 219
	Beige	311 210

SRD 2,5 A

SRD 2,5 AD-A

Width: 5,2 mm

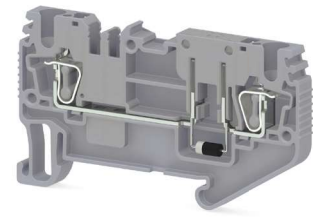


37,30
MR 35 x 7,5

65,40

SRD 2,5 AD-B

Width: 5,2 mm



37,30
MR 35 x 7,5

65,40

Cat No:

- 311 249
- 311 240

Cat No:

- 311 259
- 311 250



Electrical Ratings
IEC (EN 60947-7-1/EN 60947-7-2)
UL
VDE (IEC 60947-7-1)
CSA
ATEX

Voltage, V ~	Current, A	Cross-Section
500	1	2,5 mm ²
300	1	AWG 28-12
The max. current is determined by the diode. Installed: Diode 1N 4007, reverse voltage: 1300 V, maximum continuous current: 0.5 A.		

Voltage, V ~	Current, A	Cross-Section
500	1	2,5 mm ²
300	1	AWG 28-12
The max. current is determined by the diode. Installed: Diode 1N 4007, reverse voltage: 1300 V, maximum continuous current: 0.5 A.		

Connection Data
Conductor cross section solid (min.-max.)
Conductor cross section stranded (min.-max.)
2 conductors with same cross section, stranded, TWIN ferrules with plastic sleeve
AWG Conductor
Insulation Stripping Length (min.-max.)
Screwdriver

0,08 - 4 mm ²
0,14 - 2,5 mm ²
0,5 mm ²
28-12
8-10
KT1 (0,4x2,5)

0,08 - 4 mm ²
0,14 - 2,5 mm ²
0,5 mm ²
28-12
8-10
KT1 (0,4x2,5)

Technical Data For Diode
Diode Reverse Voltage
Diode Current
Diod

1000V
1 A
1 N 4007

1000V
1 A
1 N 4007

End Plate

Type	Cat.No.	Qty.
NPP/SRD 2,5E	451 159	50

Type	Cat.No.	Qty.
NPP/SRD 2,5E	451 159	50

Partition Plate

Type	Cat.No.	Qty.
APP/SRD 2,5E	464 079	50

Type	Cat.No.	Qty.
APP/SRD 2,5E	464 079	50

Test Plug

Type	Cat.No.	Qty.
TF Ø2	493 020	5

Type	Cat.No.	Qty.
TF Ø2	493 020	5

Cross Connection

Type	Cat.No.	Qty.
CS 2,5/2	470 102	25
CS 2,5/3	470 103	20
CS 2,5/4	470 104	15
CS 2,5/5	470 105	10
CS 2,5/10	470 109	5
CS 2,5/20	470 170	10

Type	Cat.No.	Qty.
CS 2,5/2	470 102	25
CS 2,5/3	470 103	20
CS 2,5/4	470 104	15
CS 2,5/5	470 105	10
CS 2,5/10	470 109	5
CS 2,5/20	470 170	10

Technical Data
Rated Impulse Voltage / Pollution severity
Insulation material group / Gauge pin code according to IEC 60947-1
Protection class / Protection conductor type
Marking Tags (Dekafix)
See pages 326-333 for a list of Dekafix

8/3
1/A3
IP20/NA
D-NS 5,2x6, SLF-P1 W

8/3
1/A3
IP20/NA
D-NS 5,2x6, SLF-P1 W

Package Quantity
50

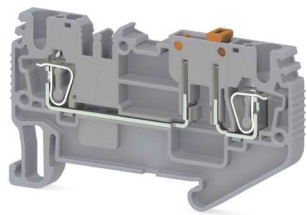
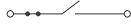
50

50

Color
Color code is the last digit of the order number
Blue
Orange
1
Z

SRD 2,5 A

Width: 5,2 mm



86,90
MF 35 x 7,5

65,40

SRD 2,5 AK

Width: 5,2 mm



87,30
MF 35 x 7,5

65,40

Cat No:

- 311 239
- 311 230

Voltage, V ~	Current, A	Cross-Section
500	20	2,5 mm ²
300	20	AWG 28-12

0,08 - 4 mm ²
0,14 - 2,5 mm ²
0,5 mm ²
28-12
8-10
KT1 (0,4x2,5)

Type	Cat.No.	Qty.
NPP/SRD 2,5E	451 159	50

Type	Cat.No.	Qty.
APP/SRD 2,5E	464 079	50

Type	Cat.No.	Qty.
TF Ø2	493 020	5

Type	Cat.No.	Qty.
CS 2,5/2	470 102	25
CS 2,5/3	470 103	20
CS 2,5/4	470 104	15
CS 2,5/5	470 105	10
CS 2,5/10	470 109	5
CS 2,5/20	470 170	10

8/3
1/A3
IP20/NA
D-NS 5,2x6, SLF-P1 W

50

Cat No:

- 311 269
- 311 260

Voltage, V ~	Current, A	Cross-Section
500	24	2,5 mm ²
300	20	AWG 28-12

0,08 - 4 mm ²
0,14 - 2,5 mm ²
0,5 mm ²
28-12
8-10
KT1 (0,4x2,5)

Type	Cat.No.	Qty.
NPP/SRD 2,5E	451 159	50

Type	Cat.No.	Qty.
APP/SRD 2,5E	464 079	50

Type	Cat.No.	Qty.
TF Ø2	493 020	5

CS 2,5/2	470 102	25
CS 2,5/3	470 103	20
CS 2,5/4	470 104	15
CS 2,5/5	470 105	10
CS 2,5/10	470 109	5
CS 2,5/20	470 170	10

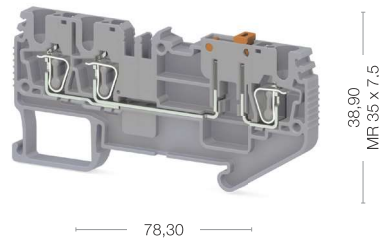
8/3
1/A3
IP20/NA
D-NS 5,2x6, SLF-P1 W

50

SRD 2,5 EA

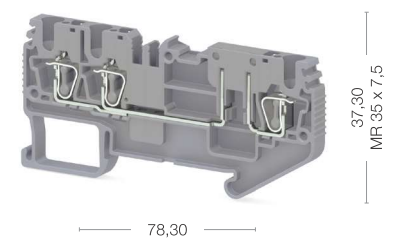
SRD 2,5 EA

Width: 5,2 mm



SRD 2,5 EAK

Width: 5,2 mm



Cat No:

- 311 279
- 311 270

Cat No:

- 311 309
- 311 300



Electrical Ratings
IEC (EN 60947-7-1/EN 60947-7-2)
UL
VDE (IEC 60947-7-1)
CSA
ATEX

Voltage, V ~	Current, A	Cross-Section
500	20	2,5 mm ²
300	20	AWG 28-12

Voltage, V ~	Current, A	Cross-Section
500	24	2,5 mm ²
300	20	AWG 28-12

Connection Data
Conductor cross section solid (min.-max.)
Conductor cross section stranded (min.-max.)
2 conductors with same cross section, stranded, TWIN ferrules with plastic sleeve
AWG Conductor
Insulation Stripping Length (min.-max.)
Screwdriver

0,08 - 4 mm ²
0,14 - 2,5 mm ²
0,5 mm ²
28-12
8-10
KT1 (0,4x2,5)

0,08 - 4 mm ²
0,14 - 2,5 mm ²
0,5 mm ²
28-12
8-10
KT1 (0,4x2,5)

Technical Data For Diode
Diode Reverse Voltage
Diode Current
Diode

End Plate

Type	Cat.No.	Qty.
NPP/SRD 2,5C	451 189	50

Type	Cat.No.	Qty.
NPP/SRD 2,5C	451 189	50

Partition Plate

Type	Cat.No.	Qty.
APP/SRD 2,5C	464 119	50

Type	Cat.No.	Qty.
APP/SRD 2,5C	464 119	50

Test Plug

Type	Cat.No.	Qty.
TF Ø2	493 020	5

Type	Cat.No.	Qty.
TF Ø2	493 020	5

Cross Connection

Type	Cat.No.	Qty.
CS 2,5/2	470 102	25
CS 2,5/3	470 103	20
CS 2,5/4	470 104	15
CS 2,5/5	470 105	10
CS 2,5/10	470 109	5
CS 2,5/20	470 170	10

Type	Cat.No.	Qty.
CS 2,5/2	470 102	25
CS 2,5/3	470 103	20
CS 2,5/4	470 104	15
CS 2,5/5	470 105	10
CS 2,5/10	470 109	5
CS 2,5/20	470 170	10

Technical Data
Rated Impulse Voltage / Pollution severity
Insulation material group / Gauge pin code according to IEC 60947-1
Protection class / Protection conductor type
Marking Tags (Dekafix)
See pages 326-333 for a list of Dekafix

8/3
1/A3
IP20/NA
D-NS 5,2x6, SLF-P1 W

8/3
1/A3
IP20/NA
D-NS 5,2x6, SLF-P1 W

Package Quantity

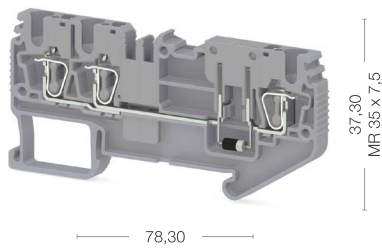
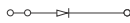
50

50

Color	
Color code is the last digit of the order number	
Blue	Orange
1	Z

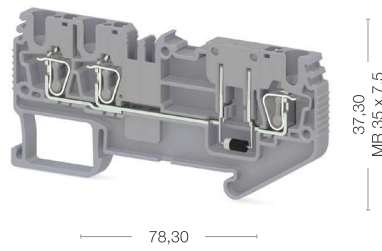
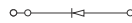
SRD 2,5 EAD-A

Width: 5,2 mm



SRD 2,5 EAD-B

Width: 5,2 mm



Cat No:

- 311 289
- 311 280

Voltage, V ~	Current, A	Cross-Section
500	1	2,5 mm ²
300	1	AWG 28-12
The max. current is determined by the diode. Installed: Diode 1N 4007, reverse voltage: 1300 V, maximum continuous current: 0.5 A.		

0,08 - 4 mm ²
0,14 - 2,5 mm ²
0,5 mm ²
28-12
8-10
KT1 (0,4x2,5)

1000V
1 A
1 N 4007

Type	Cat.No.	Qty.
NPP/SRD 2,5C	451 189	50

Type	Cat.No.	Qty.
APP/SRD 2,5C	464 119	50

Type	Cat.No.	Qty.
TF Ø2	493 020	5

Type	Cat.No.	Qty.
CS 2,5/2	470 102	25
CS 2,5/3	470 103	20
CS 2,5/4	470 104	15
CS 2,5/5	470 105	10
CS 2,5/10	470 109	5
CS 2,5/20	470 170	10

8/3
1/A3
IP20/NA
D-NS 5,2x6, SLF-P1 W

50

Cat No:

- 311 299
- 311 290

Voltage, V ~	Current, A	Cross-Section
500	1	2,5 mm ²
300	1	AWG 28-12
The max. current is determined by the diode. Installed: Diode 1N 4007, reverse voltage: 1300 V, maximum continuous current: 0.5 A.		

0,08 - 4 mm ²
0,14 - 2,5 mm ²
0,5 mm ²
28-12
8-10
KT1 (0,4x2,5)

1000V
1 A
1 N 4007

Type	Cat.No.	Qty.
NPP/SRD 2,5C	451 189	50

Type	Cat.No.	Qty.
APP/SRD 2,5C	464 119	50

Type	Cat.No.	Qty.
TF Ø2	493 020	5

CS 2,5/2	470 102	25
CS 2,5/3	470 103	20
CS 2,5/4	470 104	15
CS 2,5/5	470 105	10
CS 2,5/10	470 109	5
CS 2,5/20	470 170	10

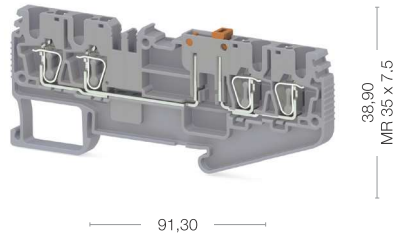
8/3
1/A3
IP20/NA
D-NS 5,2x6, SLF-P1 W

50

SRD 2,5 CA

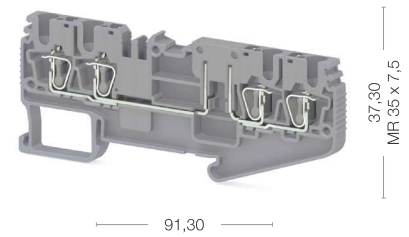
SRD 2,5 CA

Width: 5,2 mm



SRD 2,5 CAK

Width: 5,2 mm



Cat No:

- 311 319
- 311 310

Cat No:

- 311 349
- 311 340



Electrical Ratings

IEC (EN 60947-7-1/EN 60947-7-2)
UL
VDE (IEC 60947-7-1)
CSA
ATEX

Voltage, V ~	Current, A	Cross-Section
500	20	2,5 mm ²
300	20	AWG 28-12

Voltage, V ~	Current, A	Cross-Section
500	24	2,5 mm ²
300	20	AWG 28-12

Connection Data

Conductor cross section solid (min.-max.)
Conductor cross section stranded (min.-max.)
2 conductors with same cross section, stranded, TWIN ferrules with plastic sleeve
AWG Conductor
Insulation Stripping Length (min.-max.)
Screwdriver

0,08 - 4 mm ²
0,14 - 2,5 mm ²
0,5 mm ²
28-12
8-10
KT1 (0,4x2,5)

0,08 - 4 mm ²
0,14 - 2,5 mm ²
0,5 mm ²
28-12
8-10
KT1 (0,4x2,5)

Technical Data For Diode

Diode Reverse Voltage
Diode Current
Diod

1000V
1 A
1 N 4007

End Plate



Type	Cat.No.	Qty.
NPP/SRD 2,5CA	451 169	50

Type	Cat.No.	Qty.
NPP/SRD 2,5CA	451 169	50

Partition Plate



Type	Cat.No.	Qty.
APP/SRD 2,5CA	464 089	50

Type	Cat.No.	Qty.
APP/SRD 2,5CA	464 089	50

Test Plug



Type	Cat.No.	Qty.
TF Ø2	493 020	5

Type	Cat.No.	Qty.
TF Ø2	493 020	5

Cross Connection



Type	Cat.No.	Qty.
CS 2,5/2	470 102	25
CS 2,5/3	470 103	20
CS 2,5/4	470 104	15
CS 2,5/5	470 105	10
CS 2,5/10	470 109	5
CS 2,5/20	470 170	10

Type	Cat.No.	Qty.
CS 2,5/2	470 102	25
CS 2,5/3	470 103	20
CS 2,5/4	470 104	15
CS 2,5/5	470 105	10
CS 2,5/10	470 109	5
CS 2,5/20	470 170	10

Technical Data

Rated Impulse Voltage / Pollution severity
Insulation material group /
Gauge pin code according to IEC 60947-1
Protection class / Protection conductor type

8/3
1/A3
IP20/NA

8/3
1/A3
IP20/NA

Marking Tags (Dekafix)

See pages 326-333 for a list of Dekafix

D-NS 5,2x6, SLF-P1 W

D-NS 5,2x6, SLF-P1 W

Package Quantity

50

50

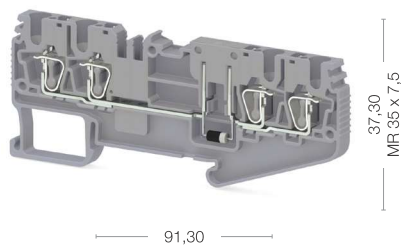
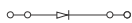
Color

Color code is the last digit of the order number

Blue	Orange
1	2

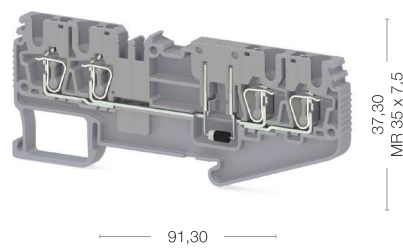
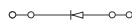
SRD 2,5 CAD-A

Width: 5,2 mm



SRD 2,5 CAD-B

Width: 5,2 mm



Cat No:

- 311 329
- 311 320

Voltage, V ~	Current, A	Cross-Section
500	1	2,5 mm ²
300	1	AWG 28-12
The max. current is determined by the diode. Installed: Diode 1N 4007, reverse voltage: 1300 V, maximum continuous current: 0,5 A.		

0,08 - 4 mm ²
0,14 - 2,5 mm ²
0,5 mm ²
28-12
8-10
KT1 (0,4x2,5)

1000V
1 A
1 N 4007

Type	Cat.No.	Qty.
NPP/SRD 2,5CA	451 169	50

Type	Cat.No.	Qty.
APP/SRD 2,5CA	464 089	50

Type	Cat.No.	Qty.
TF Ø2	493 020	5

Type	Cat.No.	Qty.
CS 2,5/2	470 102	25
CS 2,5/3	470 103	20
CS 2,5/4	470 104	15
CS 2,5/5	470 105	10
CS 2,5/10	470 109	5
CS 2,5/20	470 170	10

8/3
1/A3
IP20/NA
D-NS 5,2x6, SLF-P1 W

50

Cat No:

- 311 339
- 311 330

Voltage, V ~	Current, A	Cross-Section
500	1	2,5 mm ²
300	1	AWG 28-12
The max. current is determined by the diode. Installed: Diode 1N 4007, reverse voltage: 1300 V, maximum continuous current: 0,5 A.		

0,08 - 4 mm ²
0,14 - 2,5 mm ²
0,5 mm ²
28-12
8-10
KT1 (0,4x2,5)

1000V
1 A
1 N 4007

Type	Cat.No.	Qty.
NPP/SRD 2,5CA	451 169	50

Type	Cat.No.	Qty.
APP/SRD 2,5CA	464 089	50

Type	Cat.No.	Qty.
TF Ø2	493 020	5

CS 2,5/2	470 102	25
CS 2,5/3	470 103	20
CS 2,5/4	470 104	15
CS 2,5/5	470 105	10
CS 2,5/10	470 109	5
CS 2,5/20	470 170	10

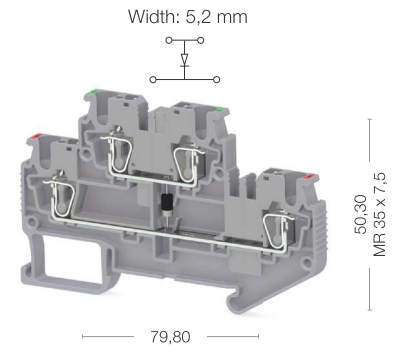
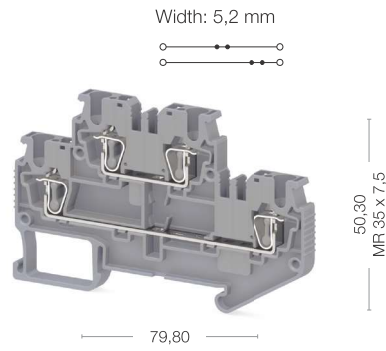
8/3
1/A3
IP20/NA
D-NS 5,2x6, SLF-P1 W

50

SRD 2,5-2F

SRD 2,5-2F

SRD 2,5-2FD-A



Cat No:

- 311 359
- 311 351
- 311 350

Cat No:

- 311 369
- 311 360



Electrical Ratings
IEC (EN 60947-7-1/EN 60947-7-2)
UL
VDE (IEC 60947-7-1)
CSA
ATEX

Voltage, V ~	Current, A	Cross-Section
500	24	2,5 mm ²
300	20	AWG 28-12

Voltage, V ~	Current, A	Cross-Section
500	1	2,5 mm ²
300	1	AWG 28-12
The max. current is determined by the diode. Installed: Diode 1N 4007, reverse voltage: 1300 V, maximum continuous current: 0.5 A.		

Connection Data
Conductor cross section solid (min.-max.)
Conductor cross section stranded (min.-max.)
2 conductors with same cross section, stranded, TWIN ferrules with plastic sleeve
AWG Conductor
Insulation Stripping Length (min.-max.)
Screwdriver

0,08 - 4 mm ²
0,14 - 2,5 mm ²
0,5 mm ²
28-12
8-10
KT1 (0,4x2,5)

0,08 - 4 mm ²
0,14 - 2,5 mm ²
0,5 mm ²
28-12
8-10
KT1 (0,4x2,5)

Technical Data For Diode
Diode Reverse Voltage
Diode Current
Diod

1000V
1 A
1 N 4007

End Plate


Type	Cat.No.	Qty.
NPP/SRD 2,5_2F	451 079	50

Type	Cat.No.	Qty.
NPP/SRD 2,5_2F	451 079	50

Partition Plate


Type	Cat.No.	Qty.
APP/SRD 2,5_2F	464 069	50

Type	Cat.No.	Qty.
APP/SRD 2,5_2F	464 069	50

Test Plug


Type	Cat.No.	Qty.
TF Ø2	493 020	5

Type	Cat.No.	Qty.
TF Ø2	493 020	5

Cross Connection


Type	Cat.No.	Qty.
CS 2,5/2	470 102	25
CS 2,5/3	470 103	20
CS 2,5/4	470 104	15
CS 2,5/5	470 105	10
CS 2,5/10	470 109	5
CS 2,5/20	470 170	10

Type	Cat.No.	Qty.
CS 2,5/2	470 102	25
CS 2,5/3	470 103	20
CS 2,5/4	470 104	15
CS 2,5/5	470 105	10
CS 2,5/10	470 109	5
CS 2,5/20	470 170	10

Technical Data
Rated Impulse Voltage / Pollution severity
Insulation material group / Gauge pin code according to IEC 60947-1
Protection class / Protection conductor type

8/3
1/A3
IP20/NA

8/3
1/A3
IP20/NA

Marking Tags (Dekafix)
See pages 326-333 for a list of Dekafix

D-NS 5,2x6, SLF-P2 W

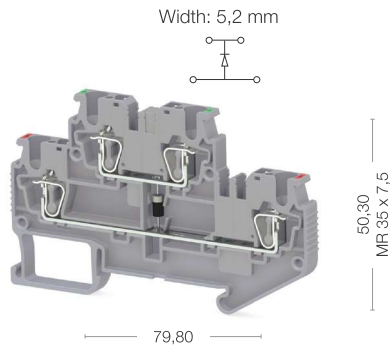
D-NS 5,2x6, SLF-P2 W

Package Quantity

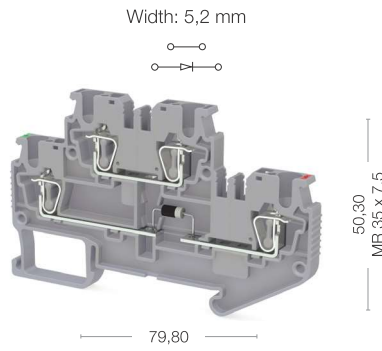
50

50

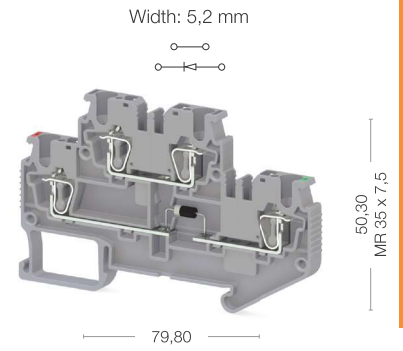
SRD 2,5-2FD-B



SRD 2,5-2FD-L



SRD 2,5-2FD-R



Cat No:

- 311 379
- 311 370

Voltage, V ~	Current, A	Cross-Section
500	1	2,5 mm ²
300	1	AWG 28-12
The max. current is determined by the diode. Installed: Diode 1N 4007, reverse voltage: 1300 V, maximum continuous current: 0.5 A.		

0,08 - 4 mm ²
0,14 - 2,5 mm ²
0,5 mm ²
28-12
8-10
KT1 (0,4x2,5)

1000V
1 A
1 N 4007

Type	Cat.No.	Qty.
NPP/SRD 2,5_2F	451 079	50

Type	Cat.No.	Qty.
APP/SRD 2,5_2F	464 069	50

Type	Cat.No.	Qty.
TF Ø2	493 020	5

Type	Cat.No.	Qty.
CS 2,5/2	470 102	25
CS 2,5/3	470 103	20
CS 2,5/4	470 104	15
CS 2,5/5	470 105	10
CS 2,5/10	470 109	5
CS 2,5/20	470 170	10

8/3
1/A3
IP20/NA
D-NS 5,2x6, SLF-P2 W

50

Cat No:

- 311 499
- 311 490

Voltage, V ~	Current, A	Cross-Section
500	24/1	2,5 mm ²
300	1	AWG 28-12
The max. current is determined by the diode. Installed: Diode 1N 4007, reverse voltage: 1300 V, maximum continuous current: 0.5 A.		

0,08 - 4 mm ²
0,14 - 2,5 mm ²
0,5 mm ²
28-12
8-10
KT1 (0,4x2,5)

1000V
1 A
1 N 4007

Type	Cat.No.	Qty.
NPP/SRD 2,5_2F	451 079	50

Type	Cat.No.	Qty.
APP/SRD 2,5_2F	464 069	50

Type	Cat.No.	Qty.
TF Ø2	493 020	5

CS 2,5/2	470 102	25
CS 2,5/3	470 103	20
CS 2,5/4	470 104	15
CS 2,5/5	470 105	10
CS 2,5/10	470 109	5
CS 2,5/20	470 170	10

8/3
1/A3
IP20/NA
D-NS 5,2x6, SLF-P2 W

50

Cat No:

- 311 389
- 311 380

Voltage, V ~	Current, A	Cross-Section
500	24/1	2,5 mm ²
300	1	AWG 28-12
The max. current is determined by the diode. Installed: Diode 1N 4007, reverse voltage: 1300 V, maximum continuous current: 0.5 A.		

0,08 - 4 mm ²
0,14 - 2,5 mm ²
0,5 mm ²
28-12
8-10
KT1 (0,4x2,5)

1000V
1 A
1 N 4007

Type	Cat.No.	Qty.
NPP/SRD 2,5_2F	451 079	50

Type	Cat.No.	Qty.
APP/SRD 2,5_2F	464 069	50

Type	Cat.No.	Qty.
TF Ø2	493 020	5

CS 2,5/2	470 102	25
CS 2,5/3	470 103	20
CS 2,5/4	470 104	15
CS 2,5/5	470 105	10
CS 2,5/10	470 109	5
CS 2,5/20	470 170	10

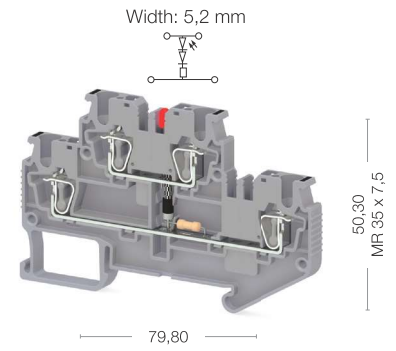
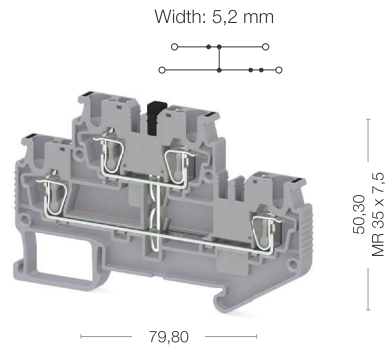
8/3
1/A3
IP20/NA
D-NS 5,2x6, SLF-P2 W

50

SRD 2,5-2F

SRD 2,5-2FK

SRD 2,5-2FLD-24VAC



Cat No:

- 311 519
- 311 510

Cat No:

- 311 409
- 311 400



Electrical Ratings
IEC (EN 60947-7-1/EN 60947-7-2)
UL
VDE (IEC 60947-7-1)
CSA
ATEX

Voltage, V ~	Current, A	Cross-Section
500	24	2,5 mm ²
300	20	AWG 28-12

Voltage, V ~	Current, A	Cross-Section
24	24	2,5 mm ²
24V (AC)	20	AWG 28-12

Connection Data
Conductor cross section solid (min.-max.)
Conductor cross section stranded (min.-max.)
2 conductors with same cross section, stranded, TWIN ferrules with plastic sleeve
AWG Conductor
Insulation Stripping Length (min.-max.)
Screwdriver

0,08 - 4 mm ²
0,14 - 2,5 mm ²
0,5 mm ²
28-12
8-10
KT1 (0,4x2,5)

0,08 - 4 mm ²
0,14 - 2,5 mm ²
0,5 mm ²
28-12
8-10
KT1 (0,4x2,5)

Technical Data For Diode
Diode Reverse Voltage
Diode Current
Diode

End Plate


Type	Cat.No.	Qty.
NPP/SRD 2,5_2F	451 079	50

Type	Cat.No.	Qty.
NPP/SRD 2,5_2F	451 079	50

Partition Plate


Type	Cat.No.	Qty.
APP/SRD 2,5_2F	464 069	50

Type	Cat.No.	Qty.
APP/SRD 2,5_2F	464 069	50

Test Plug


Type	Cat.No.	Qty.
TF Ø2	493 020	5

Type	Cat.No.	Qty.
TF Ø2	493 020	5

Cross Connection


Type	Cat.No.	Qty.
CS 2,5/2	470 102	25
CS 2,5/3	470 103	20
CS 2,5/4	470 104	15
CS 2,5/5	470 105	10
CS 2,5/10	470 109	5
CS 2,5/20	470 170	10

Type	Cat.No.	Qty.
CS 2,5/2	470 102	25
CS 2,5/3	470 103	20
CS 2,5/4	470 104	15
CS 2,5/5	470 105	10
CS 2,5/10	470 109	5
CS 2,5/20	470 170	10

Technical Data
Rated Impulse Voltage / Pollution severity
Insulation material group / Gauge pin code according to IEC 60947-1
Protection class / Protection conductor type
Marking Tags (Dekafix)
See pages 326-333 for a list of Dekafix

8/3
1/A3
IP20/NA
D-NS 5,2x6, SLF-P2 W

8/3
1/A3
IP20/NA
D-NS 5,2x6, SLF-P2 W

Package Quantity

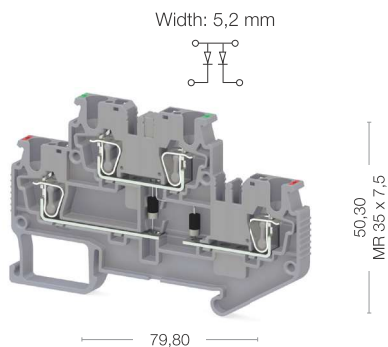
50

50

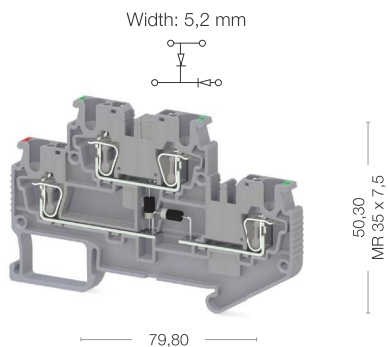
SRD 2,5-2FLD-..... Ordering Data

24VDC	Gray	311 399	48VAC	Gray	311 429	48VDC	Gray	311 419	110VAC	Gray	311 449
	Beige	311 390		Beige	311 420		Beige	311 410		Beige	311 440

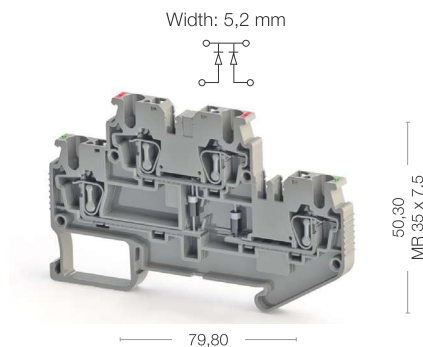
SRD 2,5-F2D-A



SRD 2,5-F2D-B



SRD 2,5-F2D-C



Cat No:

- 311 479
- 311 470

Voltage, V ~	Current, A	Cross-Section
500	1	2,5 mm ²
300	1	AWG 28-12
The max. current is determined by the diode. Installed: Diode 1N 4007, reverse voltage: 1300 V, maximum continuous current: 0.5 A.		

0,08 - 4 mm ²
0,14 - 2,5 mm ²
0,5 mm ²
28-12
8-10
KT1 (0,4x2,5)

1000V
1 A
1 N 4007

Type	Cat.No.	Qty.
NPP/SRD 2,5_2F	451 079	50

Type	Cat.No.	Qty.
APP/SRD 2,5_2F	464 069	50

Type	Cat.No.	Qty.
TF Ø2	493 020	5

Type	Cat.No.	Qty.
CS 2,5/2	470 102	25
CS 2,5/3	470 103	20
CS 2,5/4	470 104	15
CS 2,5/5	470 105	10
CS 2,5/10	470 109	5
CS 2,5/20	470 170	10

8/3
1/A3
IP20/NA
D-NS 5,2x6, SLF-P2 W

50

Cat No:

- 311 489
- 311 480

Voltage, V ~	Current, A	Cross-Section
500	1	2,5 mm ²
300	1	AWG 28-12
The max. current is determined by the diode. Installed: Diode 1N 4007, reverse voltage: 1300 V, maximum continuous current: 0.5 A.		

0,08 - 4 mm ²
0,14 - 2,5 mm ²
0,5 mm ²
28-12
8-10
KT1 (0,4x2,5)

1000V
1 A
1 N 4007

Type	Cat.No.	Qty.
NPP/SRD 2,5_2F	451 079	50

Type	Cat.No.	Qty.
APP/SRD 2,5_2F	464 069	50

Type	Cat.No.	Qty.
TF Ø2	493 020	5

CS 2,5/2	470 102	25
CS 2,5/3	470 103	20
CS 2,5/4	470 104	15
CS 2,5/5	470 105	10
CS 2,5/10	470 109	5
CS 2,5/20	470 170	10

8/3
1/A3
IP20/NA
D-NS 5,2x6, SLF-P2 W

50

Cat No:

- 312 249
- 312 240

Voltage, V ~	Current, A	Cross-Section
300	1	AWG 28-12
The max. current is determined by the diode. Installed: Diode 1N 4007, reverse voltage: 1300 V, maximum continuous current: 0.5 A.		

0,08 - 4 mm ²
0,14 - 2,5 mm ²
0,5 mm ²
28-12
8-10
KT1 (0,4x2,5)

1000V
1 A
1 N 4007

Type	Cat.No.	Qty.
NPP/SRD 2,5_2F	451 079	50

Type	Cat.No.	Qty.
APP/SRD 2,5_2F	464 069	50

Type	Cat.No.	Qty.
TF Ø2	493 020	5

CS 2,5/2	470 102	25
CS 2,5/3	470 103	20
CS 2,5/4	470 104	15
CS 2,5/5	470 105	10
CS 2,5/10	470 109	5
CS 2,5/20	470 170	10

8/3
1/A3
IP20/NA
D-NS 5,2x6, SLF-P2 W

50

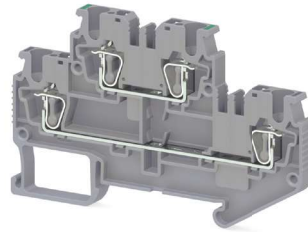
SRD 2,5-2FLD-..... Ordering Data

110VDC	Gray	311 439	220VAC	Gray	311 469	220VDC	Gray	311 459
	Beige	311 430		Beige	311 460		Beige	311 450

SRD 2,5-2F SRD 2,5-FT

SRD 2,5-FN

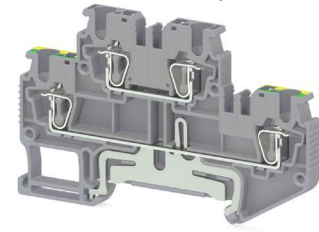
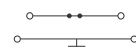
Width: 5,2 mm



79,80

SRD 2,5-FT

Width: 5,2 mm



79,80

50,30
MF 35 x 7,5

50,30
MF 35 x 7,5

Cat No:

- 311 509
- 311 500

Cat No:

- 311 529
- 311 520



Electrical Ratings
IEC (EN 60947-7-1/EN 60947-7-2)
UL
VDE (IEC 60947-7-1)
CSA
ATEX

Voltage, V ~	Current, A	Cross-Section
500	24	2,5 mm ²
300	20	AWG 28-12

Voltage, V ~	Current, A	Cross-Section
500	24	2,5 mm ²
300	20	AWG 28-12

Connection Data
Conductor cross section solid (min.-max.)
Conductor cross section stranded (min.-max.)
2 conductors with same cross section, stranded, TWIN ferrules with plastic sleeve
AWG Conductor
Insulation Stripping Length (min.-max.)
Screwdriver

0,08 - 4 mm ²
0,14 - 2,5 mm ²
0,5 mm ²
28-12
8-10
KT1 (0,4x2,5)

0,08 - 4 mm ²
0,14 - 2,5 mm ²
0,5 mm ²
28-12
8-10
KT1 (0,4x2,5)

Technical Data For Diode
Diode Reverse Voltage
Diode Current
Diod

End Plate


Type	Cat.No.	Qty.
NPP/SRD 2,5_2F	451 079	50

Type	Cat.No.	Qty.
NPP/SRD 2,5_2F	451 079	50

Partition Plate


Type	Cat.No.	Qty.
APP/SRD 2,5_2F	464 069	50

Type	Cat.No.	Qty.
APP/SRD 2,5_2F	464 069	50

Test Plug


Type	Cat.No.	Qty.
TF Ø2	493 020	5

Type	Cat.No.	Qty.
TF Ø2	493 020	5

Cross Connection


Type	Cat.No.	Qty.
CS 2,5/2	470 102	25
CS 2,5/3	470 103	20
CS 2,5/4	470 104	15
CS 2,5/5	470 105	10
CS 2,5/10	470 109	5
CS 2,5/20	470 170	10

Type	Cat.No.	Qty.
CS 2,5/2	470 102	25
CS 2,5/3	470 103	20
CS 2,5/4	470 104	15
CS 2,5/5	470 105	10
CS 2,5/10	470 109	5
CS 2,5/20	470 170	10

Technical Data
Rated Impulse Voltage / Pollution severity
Insulation material group / Gauge pin code according to IEC 60947-1
Protection class / Protection conductor type

8/3
1/A3
IP20/NA

8/3
1/A3
IP20/NA/PE

Marking Tags (Dekafix)
See pages 326-333 for a list of Dekafix

D-NS 5,2x6, SLF-P2 W

D-NS 5,2x6, SLF-P2 W

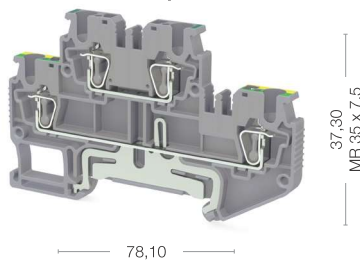
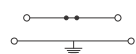
Package Quantity

50

50

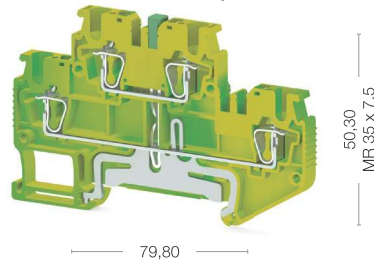
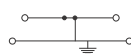
SRD 2,5-NT

Width: 5,2 mm



SRD 2,5-2T

Width: 5,2 mm



Cat No:

- 311 539
- 311 530

Voltage, V ~	Current, A	Cross-Section
500	24	2,5 mm ²
300	20	AWG 28-12

0,08 - 4 mm ²
0,14 - 2,5 mm ²
0,5 mm ²
28-12
8-10
KT1 (0,4x2,5)

Type	Cat.No.	Qty.
	451 079	50

Type	Cat.No.	Qty.
	464 069	50

Type	Cat.No.	Qty.
TF Ø2	493 020	5

Type	Cat.No.	Qty.
CS 2,5/2	470 102	25
CS 2,5/3	470 103	20
CS 2,5/4	470 104	15
CS 2,5/5	470 105	10
CS 2,5/10	470 109	5
CS 2,5/20	470 170	10

8/3
1/A3
IP20/NA/PE
D-NS 5,2x6, SLF-P2 W

50

Cat No:

- 337 150

Voltage, V ~	Current, A	Cross-Section
		2,5 mm ²
		AWG 28-12

0,08 - 4 mm ²
0,14 - 2,5 mm ²
0,5 mm ²
28-12
8-10
KT1 (0,4x2,5)

Type	Cat.No.	Qty.
NPP/SRD 2,5-2F	451 072T	50

Type	Cat.No.	Qty.
	464 069	50

Type	Cat.No.	Qty.
TF Ø2	493 020	5

Type	Cat.No.	Qty.
CS 2,5/2	470 102	25
CS 2,5/3	470 103	20
CS 2,5/4	470 104	15
CS 2,5/5	470 105	10
CS 2,5/10	470 109	5
CS 2,5/20	470 170	10

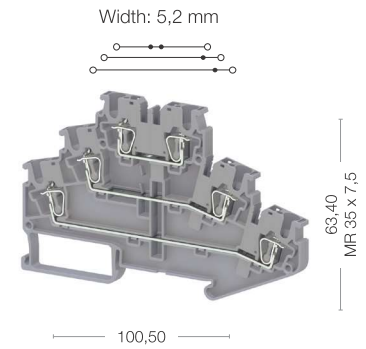
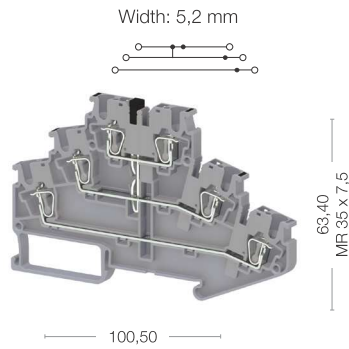
8/3
1/A3
IP20/PE
D-NS 5,2x6, SLF-P2 W

50

SRD 2,5-3F

SRD 2,5-2KF

SRD 2,5-3F



Cat No:

311 569
311 560

Cat No:

311 549 311 541
311 540



Electrical Ratings
IEC (EN 60947-7-1/EN 60947-7-2)
UL
VDE (IEC 60947-7-1)
CSA
ATEX

Voltage, V ~	Current, A	Cross-Section
500	24	2,5 mm ²
300	20	AWG 28-12

Voltage, V ~	Current, A	Cross-Section
500	24	2,5 mm ²
300	20	AWG 28-12

Connection Data
Conductor cross section solid (min.-max.)
Conductor cross section stranded (min.-max.)
2 conductors with same cross section, stranded, TWIN ferrules with plastic sleeve
AWG Conductor
Insulation Stripping Length (min.-max.)
Screwdriver

0,08 - 4 mm ²
0,14 - 2,5 mm ²
0,5 mm ²
28-12
8-10
KT1 (0,4x2,5)

0,08 - 4 mm ²
0,14 - 2,5 mm ²
0,5 mm ²
28-12
8-10
KT1 (0,4x2,5)

Technical Data For Diode
Diode Reverse Voltage
Diode Current
Diod

End Plate


Type	Cat.No.	Qty.
NPP/SRD 2.5_3F	451 109	50

Type	Cat.No.	Qty.
NPP/SRD 2.5_3F	451 109	50

Partition Plate


Type	Cat.No.	Qty.

Type	Cat.No.	Qty.

Test Plug


Type	Cat.No.	Qty.
TF Ø2	493 020	5

Type	Cat.No.	Qty.
TF Ø2	493 020	5

Cross Connection


Type	Cat.No.	Qty.
CS 2,5/2	470 102	25
CS 2,5/3	470 103	20
CS 2,5/4	470 104	15
CS 2,5/5	470 105	10
CS 2,5/10	470 109	5
CS 2,5/20	470 170	10

Type	Cat.No.	Qty.
CS 2,5/2	470 102	25
CS 2,5/3	470 103	20
CS 2,5/4	470 104	15
CS 2,5/5	470 105	10
CS 2,5/10	470 109	5
CS 2,5/20	470 170	10

Technical Data
Rated Impulse Voltage / Pollution severity
Insulation material group / Gauge pin code according to IEC 60947-1
Protection class / Protection conductor type

8/3
1/A3
IP20/NA

8/3
1/A3
IP20/NA

Marking Tags (Dekafix)
See pages 326-333 for a list of Dekafix

D-NS 5,2x6, SLF-P2 W

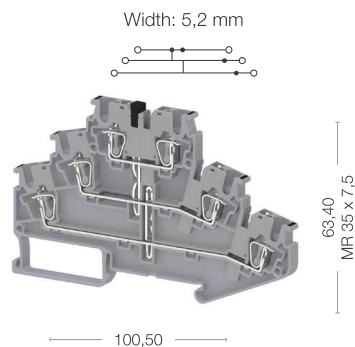
D-NS 5,2x6, SLF-P2 W

Package Quantity

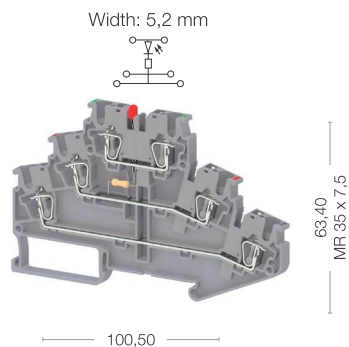
50

50

SRD 2,5-3FK



SRD 2,5-3FLD-24VDC



Cat No:

- 311 559
- 311 550

Voltage, V ~	Current, A	Cross-Section
500	24	2,5 mm ²
300	20	AWG 28-12

0,08 - 4 mm ²
0,14 - 2,5 mm ²
0,5 mm ²
28-12
8-10
KT1 (0,4x2,5)

Type	Cat.No.	Qty.
NPP/SRD 2,5_3F	451 109	50

Type	Cat.No.	Qty.

Type	Cat.No.	Qty.
TF Ø2	493 020	5

Type	Cat.No.	Qty.
CS 2,5/2	470 102	25
CS 2,5/3	470 103	20
CS 2,5/4	470 104	15
CS 2,5/5	470 105	10
CS 2,5/10	470 109	5
CS 2,5/20	470 170	10

8/3
1/A3
IP20/NA
D-NS 5,2x6, SLF-P2 W

50

Cat No:

- 311 579
- 311 570

Voltage, V ~	Current, A	Cross-Section
24	24	2,5 mm ²
24V (DC)	20A	AWG 28-12

0,08 - 4 mm ²
0,14 - 2,5 mm ²
0,5 mm ²
28-12
8-10
KT1 (0,4x2,5)

Type	Cat.No.	Qty.
NPP/SRD 2,5_3F	451 109	50

Type	Cat.No.	Qty.

Type	Cat.No.	Qty.
TF Ø2	493 020	5

CS 2,5/2	470 102	25
CS 2,5/3	470 103	20
CS 2,5/4	470 104	15
CS 2,5/5	470 105	10
CS 2,5/10	470 109	5
CS 2,5/20	470 170	10

8/3
1/A3
IP20/NA
D-NS 5,2x6, SLF-P2 W

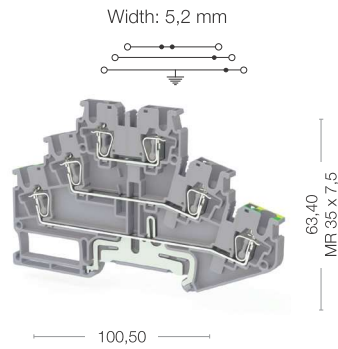
50

SRD 2,5 CLD-..... Ordering Data

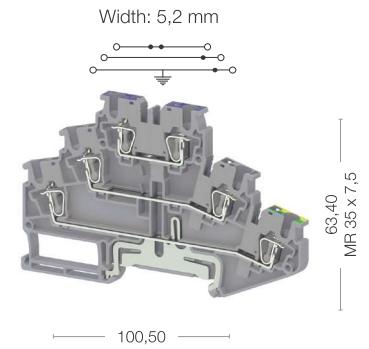
48VDC	Gray	311 589
	Beige	311 580
110VDC	Gray	311 599
	Beige	311 590
200VDC	Gray	311 609
	Beige	311 600

SRD 2,5-2FT

SRD 2,5-2FT



SRD 2,5-NFT



Cat No:

- 311 619
- 311 610

Cat No:

- 311 669
- 311 660



Electrical Ratings
IEC (EN 60947-7-1/EN 60947-7-2)
UL
VDE (IEC 60947-7-1)
CSA
ATEX

Voltage, V ~	Current, A	Cross-Section
500	24	2,5 mm ²
300	20	AWG 28-12

Voltage, V ~	Current, A	Cross-Section
500	24	2,5 mm ²
300	20	AWG 28-12

Connection Data
Conductor cross section solid (min.-max.)
Conductor cross section stranded (min.-max.)
2 conductors with same cross section, stranded, TWIN ferrules with plastic sleeve
AWG Conductor
Insulation Stripping Length (min.-max.)
Screwdriver

0,08 - 4 mm ²
0,14 - 2,5 mm ²
0,5 mm ²
28-12
8-10
KT1 (0,4x2,5)

0,08 - 4 mm ²
0,14 - 2,5 mm ²
0,5 mm ²
28-12
8-10
KT1 (0,4x2,5)

Technical Data For Diode
Diode Reverse Voltage
Diode Current
Diod

End Plate


Type	Cat.No.	Qty.
NPP/SRD 2,5_3F	451 109	50

Type	Cat.No.	Qty.
NPP/SRD 2,5_3F	451 109	50

Partition Plate


Type	Cat.No.	Qty.

Type	Cat.No.	Qty.

Test Plug


Type	Cat.No.	Qty.
TF Ø2	493 020	5

Type	Cat.No.	Qty.
TF Ø2	493 020	5

Cross Connection


Type	Cat.No.	Qty.
CS 2,5/2	470 102	25
CS 2,5/3	470 103	20
CS 2,5/4	470 104	15
CS 2,5/5	470 105	10
CS 2,5/10	470 109	5
CS 2,5/20	470 170	10

Type	Cat.No.	Qty.
CS 2,5/2	470 102	25
CS 2,5/3	470 103	20
CS 2,5/4	470 104	15
CS 2,5/5	470 105	10
CS 2,5/10	470 109	5
CS 2,5/20	470 170	10

Technical Data
Rated Impulse Voltage / Pollution severity
Insulation material group / Gauge pin code according to IEC 60947-1
Protection class / Protection conductor type

8/3
1/A3
IP20/NA/PE

8/3
1/A3
IP20/NA/PE

Marking Tags (Dekafix)
See pages 326-333 for a list of Dekafix

D-NS 5,2x6, SLF-P2 W

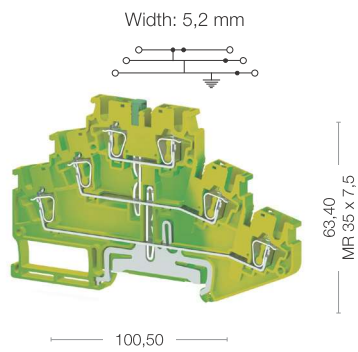
D-NS 5,2x6, SLF-P2 W

Package Quantity


50

50

SRD 2,5-3T



Cat No:

 337 160

Voltage, V ~	Current, A	Cross-Section
		2,5 mm ²
		AWG 28-12

0,08 - 4 mm ²
0,14 - 2,5 mm ²
0,5 mm ²
28-12
8-10
KT1 (0,4x2,5)

Type	Cat.No.	Qty.
NPP/SRD 2,5_3F	451 102T	50

Type	Cat.No.	Qty.

Type	Cat.No.	Qty.
TF Ø2	493 020	5

Type	Cat.No.	Qty.

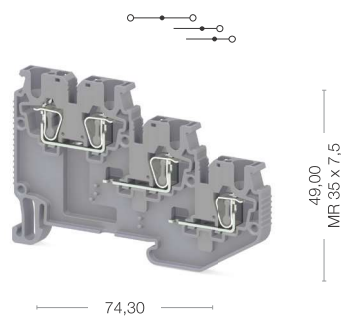
8/3
1/A3
IP20/PE
D-NS 5,2x6, SLF-P2 W
50

SRD 3 S

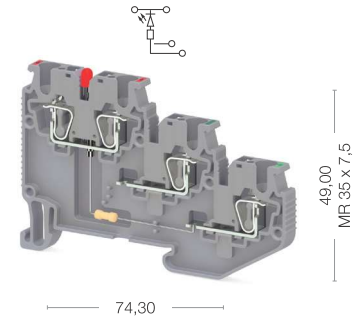
SRD 2,5-3S

SRD 2,5-3SLD-NPN

Width: 5,2 mm



Width: 5,2 mm



Cat No:

- 311 629
- 311 620

Cat No:

- 311 639
- 311 630



Electrical Ratings
IEC (EN 60947-7-1/EN 60947-7-2)
UL
VDE (IEC 60947-7-1)
CSA
ATEX

Voltage, V ~	Current, A	Cross-Section
250	24	2,5 mm ²
300	20	AWG 28-12

Voltage, V ~	Current, A	Cross-Section
24	24	2,5 mm ²
300	20	AWG 28-12

Connection Data
Conductor cross section solid (min.-max.)
Conductor cross section stranded (min.-max.)
2 conductors with same cross section, stranded, TWIN ferrules with plastic sleeve
AWG Conductor
Insulation Stripping Length (min.-max.)
Screwdriver

0,08 - 4 mm ²
0,14 - 2,5 mm ²
0,5 mm ²
28-12
8-10
KT1 (0,4x2,5)

0,08 - 4 mm ²
0,14 - 2,5 mm ²
0,5 mm ²
28-12
8-10
KT1 (0,4x2,5)

Technical Data For Diode
Diode Reverse Voltage
Diode Current
Diode

End Plate

Type	Cat.No.	Qty.
NPP/SRD 2,5-3S	451 179	50

Type	Cat.No.	Qty.
NPP/SRD 2,5-3S	451 179	50

Test Plug

Type	Cat.No.	Qty.
TF Ø2	493 020	5

Type	Cat.No.	Qty.
TF Ø2	493 020	5

Cross Connection

Type	Cat.No.	Qty.
CS 2,5/2	470 102	25
CS 2,5/3	470 103	20
CS 2,5/4	470 104	15
CS 2,5/5	470 105	10
CS 2,5/10	470 109	5
CS 2,5/20	470 170	10

Type	Cat.No.	Qty.
CS 2,5/2	470 102	25
CS 2,5/3	470 103	20
CS 2,5/4	470 104	15
CS 2,5/5	470 105	10
CS 2,5/10	470 109	5
CS 2,5/20	470 170	10

Technical Data
Rated Impulse Voltage / Pollution severity
Insulation material group / Gauge pin code according to IEC 60947-1
Protection class / Protection conductor type

8/3
1/A3
IP20/NA

8/3
1/A3
IP20/NA

Marking Tags (Dekafix)
See pages 326-333 for a list of Dekafix

D-NS 5,2x6, SLF-P2 W

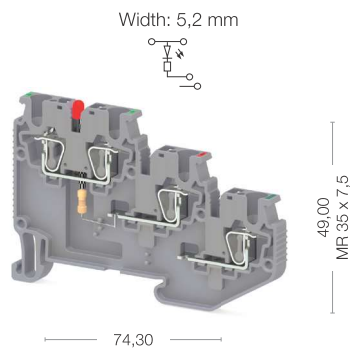
D-NS 5,2x6, SLF-P2 W

Package Quantity

50

50

SRD 2,5-3SLD-PNP



Cat No:

- 311 649
- 311 640

Voltage, V ~	Current, A	Cross-Section
24	24	2,5 mm ²
300	20	AWG 28-12

0,08 - 4 mm ²
0,14 - 2,5 mm ²
0,5 mm ²
28-12
8-10
KT1 (0,4x2,5)

Type	Cat.No.	Qty.
NPP/SRD 2,5-3S	451 179	50

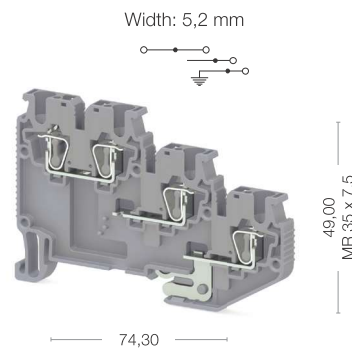
Type	Cat.No.	Qty.
TF Ø2	493 020	5

Type	Cat.No.	Qty.
CS 2,5/2	470 102	25
CS 2,5/3	470 103	20
CS 2,5/4	470 104	15
CS 2,5/5	470 105	10
CS 2,5/10	470 109	5
CS 2,5/20	470 170	10

8/3
1/A3
IP20/NA
D-NS 5,2x6, SLF-P2 W

50

SRD 2,5-2ST



Cat No:

- 311 659
- 311 650

Voltage, V ~	Current, A	Cross-Section
250	24	2,5 mm ²
300	20	AWG 28-12

0,08 - 4 mm ²
0,14 - 2,5 mm ²
0,5 mm ²
28-12
8-10
KT1 (0,4x2,5)

Type	Cat.No.	Qty.
NPP/SRD 2,5-3S	451 179	50

Type	Cat.No.	Qty.
TF Ø2	493 020	5

Type	Cat.No.	Qty.
CS 2,5/2	470 102	25
CS 2,5/3	470 103	20
CS 2,5/4	470 104	15
CS 2,5/5	470 105	10
CS 2,5/10	470 109	5
CS 2,5/20	470 170	10

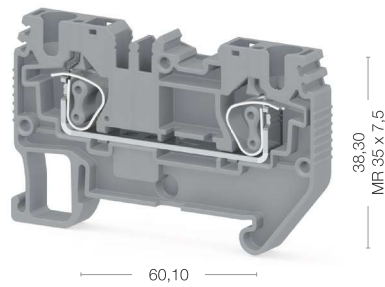
8/3
1/A3
IP20/NA
D-NS 5,2x6, SLF-P2 W

50

SRD 4

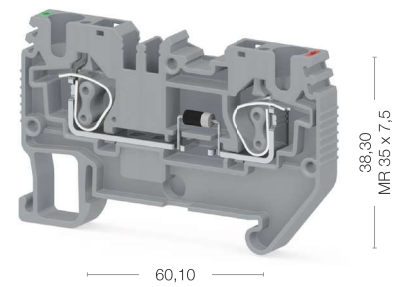
SRD 4

Width: 6,2 mm



SRD 4 D-A

Width: 6,2 mm



Cat No:

- 311 679
- 311 670

Cat No:

- 311 689
- 311 680



Electrical Ratings

IEC (EN 60947-7-1/EN 60947-7-2)
UL
VDE (IEC 60947-7-1)
CSA
ATEX

Voltage, V ~	Current, A	Cross-Section
800	32	4 mm ²
600	30	AWG 28-10

Voltage, V ~	Current, A	Cross-Section
800	1	4 mm ²
300	1	AWG 28-10

The max. current is determined by the diode.
Installed: Diode 1N 4007, reverse voltage: 1300 V, maximum continuous current: 0.5 A.

Connection Data

Conductor cross section solid (min.-max.)	0,08 -6 mm ²
Conductor cross section stranded (min.-max.)	0,14 - 4 mm ²
2 conductors with same cross section, stranded, TWIN ferrules with plastic sleeve	1 mm ²
AWG Conductor	28-10
Insulation Stripping Length (min.-max.)	8-10
Screwdriver	KT3 (0,6x3,5)

Conductor cross section solid (min.-max.)	0,08 -6 mm ²
Conductor cross section stranded (min.-max.)	0,14 - 4 mm ²
2 conductors with same cross section, stranded, TWIN ferrules with plastic sleeve	1 mm ²
AWG Conductor	28-10
Insulation Stripping Length (min.-max.)	8-10
Screwdriver	KT3 (0,6x3,5)

Conductor cross section solid (min.-max.)	0,08 -6 mm ²
Conductor cross section stranded (min.-max.)	0,14 - 4 mm ²
2 conductors with same cross section, stranded, TWIN ferrules with plastic sleeve	1 mm ²
AWG Conductor	28-10
Insulation Stripping Length (min.-max.)	8-10
Screwdriver	KT3 (0,6x3,5)

Technical Data For Diode

Diode Reverse Voltage	1000V
Diode Current	1 A
Diod	1 N 4007

Diode Reverse Voltage	1000V
Diode Current	1 A
Diod	1 N 4007

Diode Reverse Voltage	1000V
Diode Current	1 A
Diod	1 N 4007

End Plate



Type	Cat.No.	Qty.
NPP/SRD 4	451 239	50

Type	Cat.No.	Qty.
NPP/SRD 4	451 239	50

Partition Plate



Type	Cat.No.	Qty.
APP/SRD 4	464 149	50

Type	Cat.No.	Qty.
APP/SRD 4	464 149	50

Test Plug



Type	Cat.No.	Qty.
TF Ø2	493 020	5

Type	Cat.No.	Qty.
TF Ø2	493 020	5

Cross Connection



Type	Cat.No.	Qty.
CS 4/2	470 112	25
CS 4/3	470 113	20
CS 4/4	470 114	15
CS 4/5	470 115	10
CS 4/10	470 119	5
CS 4/20	470 180	10

Type	Cat.No.	Qty.
CS 4/2	470 112	25
CS 4/3	470 113	20
CS 4/4	470 114	15
CS 4/5	470 115	10
CS 4/10	470 119	5
CS 4/20	470 180	10

Technical Data

Rated Impulse Voltage / Pollution severity	8/3
Insulation material group / Gauge pin code according to IEC 60947-1	1/A3
Protection class / Protection conductor type	IP20/NA
Marking Tags (Dekafix)	
See pages 326-333 for a list of Dekafix	D-NS 6,2x6, SLF-P1 W

Rated Impulse Voltage / Pollution severity	8/3
Insulation material group / Gauge pin code according to IEC 60947-1	1/A3
Protection class / Protection conductor type	IP20/NA
Marking Tags (Dekafix)	
See pages 326-333 for a list of Dekafix	D-NS 6,2x6, SLF-P1 W

Rated Impulse Voltage / Pollution severity	8/3
Insulation material group / Gauge pin code according to IEC 60947-1	1/A3
Protection class / Protection conductor type	IP20/NA
Marking Tags (Dekafix)	
See pages 326-333 for a list of Dekafix	D-NS 6,2x6, SLF-P1 W

Package Quantity

50

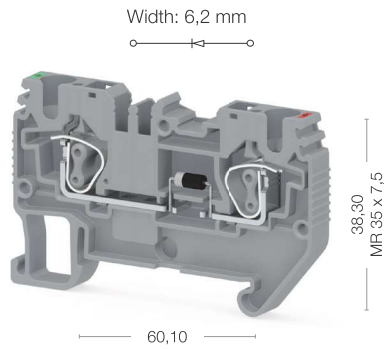
50

Color

Color code is the last digit of the order number

Blue	Green	Yellow	Red	Black	White	Orange
1	2	3	4	5	6	7

SRD 4 D-B



Cat No:

- 311 699
- 311 690

Voltage, V ~	Current, A	Cross-Section
800	1	4 mm ²
300	1	AWG 28-10
The max. current is determined by the diode. Installed: Diode 1N 4007, reverse voltage: 1300 V, maximum continuous current: 0.5 A.		

0,08 -6 mm ²
0,14 - 4 mm ²
1 mm ²
28-10
8-10
KT3 (0,6x3,5)

1000V
1 A
1 N 4007

Type	Cat.No.	Qty.
NPP/SRD 4	451 239	50

Type	Cat.No.	Qty.
APP/SRD 4	464 149	50

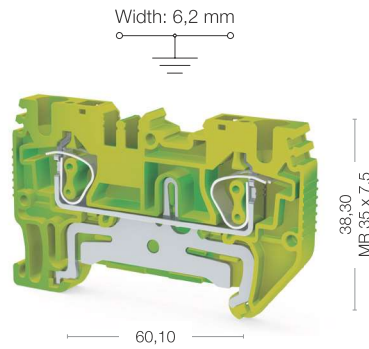
Type	Cat.No.	Qty.
TF Ø2	493 020	5

Type	Cat.No.	Qty.
CS 4/2	470 112	25
CS 4/3	470 113	20
CS 4/4	470 114	15
CS 4/5	470 115	10
CS 4/10	470 119	5
CS 4/20	470 180	10

8/3
1/A3
IP20/NA
D-NS 6,2x6, SLF-P1 W

50

SRD 4 T



Cat No:

- 337 170

Voltage, V ~	Current, A	Cross-Section
		4 mm ²
		AWG 28-10

0,08 -6 mm ²
0,14 - 4 mm ²
1 mm ²
28-10
8-10
KT3 (0,6x3,5)

1000V
1 A
1 N 4007

Type	Cat.No.	Qty.
NPP/SRD 4	451 232T	50

Type	Cat.No.	Qty.
APP/SRD 4	464 149	50

Type	Cat.No.	Qty.
TF Ø2	493 020	5

Type	Cat.No.	Qty.
CS 4/2	470 112	25
CS 4/3	470 113	20
CS 4/4	470 114	15
CS 4/5	470 115	10
CS 4/10	470 119	5
CS 4/20	470 180	10

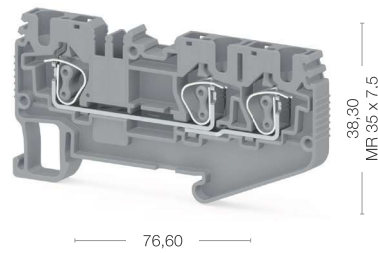
8/3
1/A3
IP20/PE
D-NS 6,2x6, SLF-P1 W

50

SRD 4 E

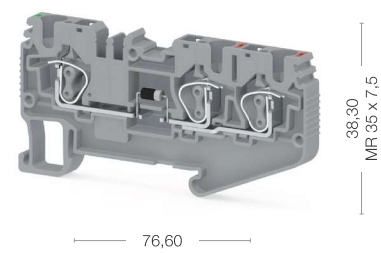
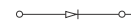
SRD 4 E

Width: 6,2 mm



SRD 4 ED-A

Width: 6,2 mm



Cat No:

- 311 709
- 311 700

Cat No:

- 311 719
- 311 710



Electrical Ratings
IEC (EN 60947-7-1/EN 60947-7-2)
UL
VDE (IEC 60947-7-1)
CSA
ATEX

Voltage, V ~	Current, A	Cross-Section
800	32	4 mm ²
600	30	AWG 28-10

Voltage, V ~	Current, A	Cross-Section
800	1	4 mm ²
300	1	AWG 28-10

The max. current is determined by the diode.
Installed: Diode 1N 4007, reverse voltage: 1300 V, maximum continuous current: 0.5 A.

Connection Data
Conductor cross section solid (min.-max.)
Conductor cross section stranded (min.-max.)
2 conductors with same cross section, stranded, TWIN ferrules with plastic sleeve
AWG Conductor
Insulation Stripping Length (min.-max.)
Screwdriver

0,08 -6 mm ²
0,14 - 4 mm ²
1 mm ²
28-10
8-10
KT3 (0,6x3,5)

0,08 -6 mm ²
0,14 - 4 mm ²
1 mm ²
28-10
8-10
KT3 (0,6x3,5)

Technical Data For Diode
Diode Reverse Voltage
Diode Current
Diod

1000V
1 A
1 N 4007

1000V
1 A
1 N 4007

End Plate


Type	Cat.No.	Qty.
NPP/SRD 4 E	451 199	50

Type	Cat.No.	Qty.
NPP/SRD 4E	451 199	50

Partition Plate


Type	Cat.No.	Qty.
APP/SRD 4E	464 129	50

Type	Cat.No.	Qty.
APP/SRD 4E	464 129	50

Test Plug


Type	Cat.No.	Qty.
TF Ø2	493 020	5

Type	Cat.No.	Qty.
TF Ø2	493 020	5

Cross Connection


Type	Cat.No.	Qty.
CS 4/2	470 112	25
CS 4/3	470 113	20
CS 4/4	470 114	15
CS 4/5	470 115	10
CS 4/10	470 119	5
CS 4/20	470 180	10

Type	Cat.No.	Qty.
CS 4/2	470 112	25
CS 4/3	470 113	20
CS 4/4	470 114	15
CS 4/5	470 115	10
CS 4/10	470 119	5
CS 4/20	470 180	10

Technical Data
Rated Impulse Voltage / Pollution severity
Insulation material group / Gauge pin code according to IEC 60947-1
Protection class / Protection conductor type
Marking Tags (Dekafix)
See pages 326-333 for a list of Dekafix

8/3
1/A3
IP20/NA
D-NS 6,2x6, SLF-P1 W

8/3
1/A3
IP20/NA
D-NS 6,2x6, SLF-P1 W

Package Quantity
50

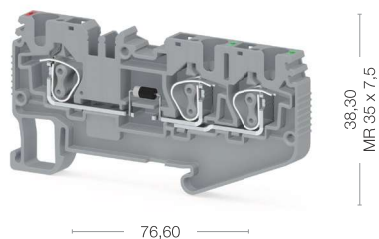
50

50

Color						
Color code is the last digit of the order number						
Blue	Green	Yellow	Red	Black	White	Orange
1	2	3	4	5	6	7

SRD 4 ED-B

Width: 6,2 mm

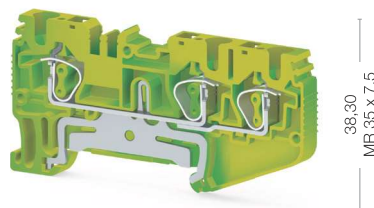


38,30
MF 35 x 7,5

76,60

SRD 4 ET

Width: 6,2 mm



38,30
MF 35 x 7,5

76,60

Cat No:

- 311 729
- 311 720

Voltage, V ~	Current, A	Cross-Section
800	1	4 mm ²
300	1	AWG 28-10
The max. current is determined by the diode. Installed: Diode 1N 4007, reverse voltage: 1300 V, maximum continuous current: 0.5 A.		

0,08 -6 mm ²
0,14 - 4 mm ²
1 mm ²
28-10
8-10
KT3 (0,6x3,5)

1000V
1 A
1 N 4007

Type	Cat.No.	Qty.
NPP/SRD 4E	451 199	50

Type	Cat.No.	Qty.
APP/SRD 4E	464 129	50

Type	Cat.No.	Qty.
TF Ø2	493 020	5

Type	Cat.No.	Qty.
CS 4/2	470 112	25
CS 4/3	470 113	20
CS 4/4	470 114	15
CS 4/5	470 115	10
CS 4/10	470 119	5
CS 4/20	470 180	10

8/3
1/A3
IP20/NA
D-NS 6,2x6, SLF-P1 W

50

Cat No:

- 337 180

Voltage, V ~	Current, A	Cross-Section
		4 mm ²
		AWG 28-10

0,08 -6 mm ²
0,14 - 4 mm ²
1 mm ²
28-10
8-10
KT3 (0,6x3,5)

1000V
1 A
1 N 4007

Type	Cat.No.	Qty.
NPP/SRD 4E	451 192T	50

Type	Cat.No.	Qty.
APP/SRD 4E	464 129	50

Type	Cat.No.	Qty.
TF Ø2	493 020	5

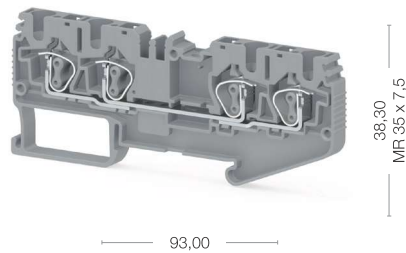
8/3
1/A3
IP20/PE
D-NS 6,2x6, SLF-P1 W

50

SRD 4 C

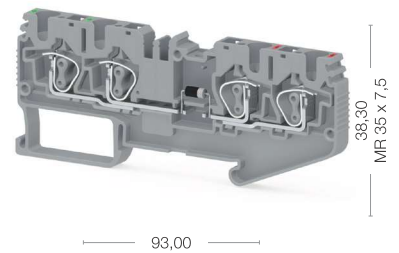
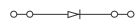
SRD 4 C

Width: 6,2 mm



SRD 4 CD-A

Width: 6,2 mm



Cat No:

- 311 739
- 311 730

Cat No:

- 311 749
- 311 740



Electrical Ratings
IEC (EN 60947-7-1/EN 60947-7-2)
UL
VDE (IEC 60947-7-1)
CSA
ATEX

Voltage, V ~	Current, A	Cross-Section
800	32	4 mm ²
600	30	AWG 28-10

Voltage, V ~	Current, A	Cross-Section
800	1	4 mm ²
600	1	AWG 28-10

Connection Data
Conductor cross section solid (min.-max.)
Conductor cross section stranded (min.-max.)
2 conductors with same cross section, stranded, TWIN ferrules with plastic sleeve
AWG Conductor
Insulation Stripping Length (min.-max.)
Screwdriver

0,08 -6 mm ²
0,14 - 4 mm ²
1 mm ²
28-10
8-10
KT3 (0,6x3,5)

0,08 -6 mm ²
0,14 - 4 mm ²
1 mm ²
28-10
8-10
KT3 (0,6x3,5)

Technical Data For Diode
Diode Reverse Voltage
Diode Current
Diod

1000V
1 A
1 N 4007

End Plate

Type	Cat.No.	Qty.
NPP/SRD 4C	451 209	50

Type	Cat.No.	Qty.
NPP/SRD 4C	451 209	50

Partition Plate

Type	Cat.No.	Qty.
APP/SRD 4C	464 139	50

Type	Cat.No.	Qty.
APP/SRD 4C	464 139	50

Test Plug

Type	Cat.No.	Qty.
TF Ø2	493 020	5

Type	Cat.No.	Qty.
TF Ø2	493 020	5

Cross Connection

Type	Cat.No.	Qty.
CS 4/2	470 112	25
CS 4/3	470 113	20
CS 4/4	470 114	15
CS 4/5	470 115	10
CS 4/10	470 119	5
CS 4/20	470 180	10

Type	Cat.No.	Qty.
CS 4/2	470 112	25
CS 4/3	470 113	20
CS 4/4	470 114	15
CS 4/5	470 115	10
CS 4/10	470 119	5
CS 4/20	470 180	10

Technical Data
Rated Impulse Voltage / Pollution severity
Insulation material group / Gauge pin code according to IEC 60947-1
Protection class / Protection conductor type

8/3
1/A3
IP20/NA

8/3
1/A3
IP20/NA

Marking Tags (Dekafix)
See pages 326-333 for a list of Dekafix

D-NS 6,2x6, SLF-P1 W

D-NS 6,2x6, SLF-P1 W

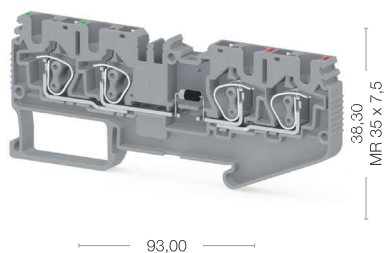
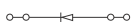
Package Quantity

50

50

SRD 4 CD-B

Width: 6,2 mm



Cat No:

311 759

311 750

Voltage, V ~	Current, A	Cross-Section
800	1	4 mm ²
600	1	AWG 28-10

0,08 -6 mm ²
0,14 - 4 mm ²
1 mm ²
28-10
8-10
KT3 (0,6x3,5)

1000V
1 A
1 N 4007

Type	Cat.No.	Qty.
NPP/SRD 4C	451 209	50

Type	Cat.No.	Qty.
APP/SRD 4C	464 139	50

Type	Cat.No.	Qty.
TF Ø2	493 020	5

Type	Cat.No.	Qty.
CS 4/2	470 112	25
CS 4/3	470 113	20
CS 4/4	470 114	15
CS 4/5	470 115	10
CS 4/10	470 119	5
CS 4/20	470 180	10

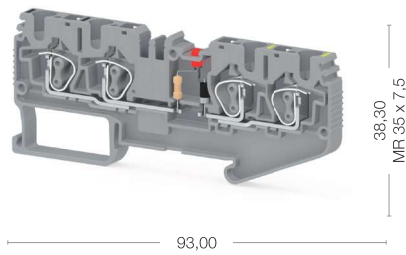
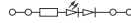
8/3
1/A3
IP20/NA
D-NS 6,2x6, SLF-P1 W

50

SRD 4 CLD

SRD 4 CLD-24VAC

Width: 6,2 mm



Cat No:

- 311 789
- 311 780



Electrical Ratings
IEC (EN 60947-7-1/EN 60947-7-2)
UL
VDE (IEC 60947-7-1)
CSA
ATEX

Connection Data
Conductor cross section solid (min.-max.)
Conductor cross section stranded (min.-max.)
2 conductors with same cross section, stranded, TWIN ferrules with plastic sleeve
AWG Conductor
Insulation Stripping Length (min.-max.)
Screwdriver

Technical Data For Diode
Diode Reverse Voltage
Diode Current
Diod

End Plate


Partition Plate


Test Plug


Cross Connection


Technical Data
Rated Impulse Voltage / Pollution severity
Insulation material group / Gauge pin code according to IEC 60947-1
Protection class / Protection conductor type

Marking Tags (Dekafix)
See pages 326-333 for a list of Dekafix

Package Quantity
50

Voltage, V ~	Current, A	Cross-Section
24	32	4 mm ²
24V (AC)	20mA	AWG 28-10

Conductor cross section solid (min.-max.)
0,08 -6 mm ²
Conductor cross section stranded (min.-max.)
0,14 - 4 mm ²
2 conductors with same cross section, stranded, TWIN ferrules with plastic sleeve
1 mm ²
AWG Conductor
28-10
Insulation Stripping Length (min.-max.)
8-10
Screwdriver
KT3 (0,6x3,5)

Diode Reverse Voltage
Diode Current
Diod

Type	Cat.No.	Qty.
NPP/SRD 4C	451 209	50

Type	Cat.No.	Qty.
APP/SRD 4C	464 139	50

Type	Cat.No.	Qty.
TF Ø2	493 020	5

Type	Cat.No.	Qty.
CS 4/2	470 112	25
CS 4/3	470 113	20
CS 4/4	470 114	15
CS 4/5	470 115	10
CS 4/10	470 119	5
CS 4/20	470 180	10

8/3
1/A3
IP20/NA

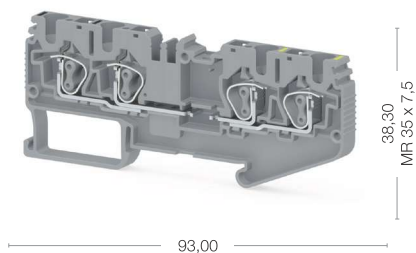
D-NS 6,2x6, SLF-P1 W

50

SRD 4 CLD-..... Ordering Data		
24VDC	Gray	311 779
	Beige	311 770
48VAC	Gray	311 809
	Beige	311 800
48VDC	Gray	311 799
	Beige	311 790
110VAC	Gray	311 829
	Beige	311 820
110VDC	Gray	311 819
	Beige	311 810
220VAC	Gray	311 849
	Beige	311 840
220VDC	Gray	311 839
	Beige	311 830

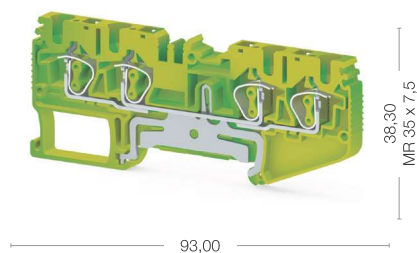
SRD 4 Cx2

Width: 6,2 mm



SRD 4 CT

Width: 6,2 mm



Cat No:

- 311 769
- 311 760

Voltage, V ~	Current, A	Cross-Section
400	32	4 mm ²
300	30/1	AWG 28-10

0,08 -6 mm ²
0,14 - 4 mm ²
1 mm ²
28-10
8-10
KT3 (0,6x3,5)

Type	Cat.No.	Qty.
NPP/SRD 4C	451 209	50

Type	Cat.No.	Qty.
APP/SRD 4C	464 139	50

Type	Cat.No.	Qty.
TF Ø2	493 020	5

Type	Cat.No.	Qty.
CS 4/2	470 112	25
CS 4/3	470 113	20
CS 4/4	470 114	15
CS 4/5	470 115	10
CS 4/10	470 119	5
CS 4/20	470 180	10

8/3
1/A3
IP20/NA
D-NS 6,2x6, SLF-P1 W

50

Cat No:

- 337 190

Voltage, V ~	Current, A	Cross-Section
		4 mm ²
		AWG 28-10

0,08 -6 mm ²
0,14 - 4 mm ²
1 mm ²
28-10
8-10
KT3 (0,6x3,5)

Type	Cat.No.	Qty.
NPP/SRD 24C	451 202T	50

Type	Cat.No.	Qty.
APP/SRD 4C	464 139	50

Type	Cat.No.	Qty.
TF Ø2	493 020	5

8/3
1/A3
IP20/PE
D-NS 6,2x6, SLF-P1 W

50

SRD 4 A

SRD 4 A

Width: 6,2 mm

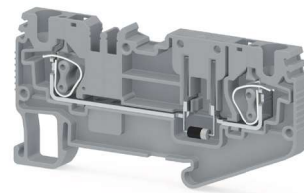
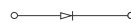


76,60

38,30
MF 35 x 7,5

SRD 4 AD-A

Width: 6,2 mm



76,60

38,30
MF 35 x 7,5

Cat No:

- 311 869
- 311 860

Cat No:

- 311 879
- 311 870



Electrical Ratings
IEC (EN 60947-7-1/EN 60947-7-2)
UL
VDE (IEC 60947-7-1)
CSA
ATEX

Voltage, V ~	Current, A	Cross-Section
500	20	4 mm ²
300	20	AWG 28-10

Voltage, V ~	Current, A	Cross-Section
500	1	4 mm ²
300	1	AWG 28-10

The max. current is determined by the diode.
Installed: Diode 1N 4007, reverse voltage: 1300 V, maximum continuous current: 0.5 A.

Connection Data
Conductor cross section solid (min.-max.)
Conductor cross section stranded (min.-max.)
2 conductors with same cross section, stranded, TWIN ferrules with plastic sleeve
AWG Conductor
Insulation Stripping Length (min.-max.)
Screwdriver

0,08 -6 mm ²
0,14 - 4 mm ²
1 mm ²
28-10
8-10
KT3 (0,6x3,5)

0,08 -6 mm ²
0,14 - 4 mm ²
1 mm ²
28-10
8-10
KT3 (0,6x3,5)

Technical Data For Diode
Diode Reverse Voltage
Diode Current
Diod

1000V
1 A
1 N 4007

1000V
1 A
1 N 4007

End Plate

Type	Cat.No.	Qty.
NPP/SRD 4E	451 199	50

Type	Cat.No.	Qty.
NPP/SRD 4E	451 199	50

Partition Plate

Type	Cat.No.	Qty.
APP/SRD 4E	464 129	50

Type	Cat.No.	Qty.
APP/SRD 4E	464 129	50

Test Plug

Type	Cat.No.	Qty.
TF Ø2	493 020	5

Type	Cat.No.	Qty.
TF Ø2	493 020	5

Cross Connection

Type	Cat.No.	Qty.
CS 4/2	470 112	25
CS 4/3	470 113	20
CS 4/4	470 114	15
CS 4/5	470 115	10
CS 4/10	470 119	5
CS 4/20	470 180	10

Type	Cat.No.	Qty.
CS 4/2	470 112	25
CS 4/3	470 113	20
CS 4/4	470 114	15
CS 4/5	470 115	10
CS 4/10	470 119	5
CS 4/20	470 180	10

Technical Data
Rated Impulse Voltage / Pollution severity
Insulation material group / Gauge pin code according to IEC 60947-1
Protection class / Protection conductor type

8/3
1/A3
IP20/NA

8/3
1/A3
IP20/NA

Marking Tags (Dekafix)
See pages 326-333 for a list of Dekafix

D-NS 6,2x6, SLF-P1 W

D-NS 6,2x6, SLF-P1 W

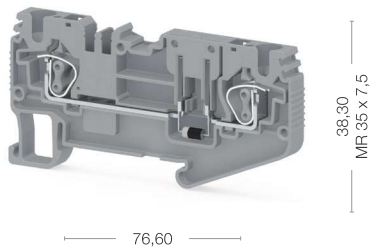
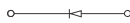
Package Quantity

50

50

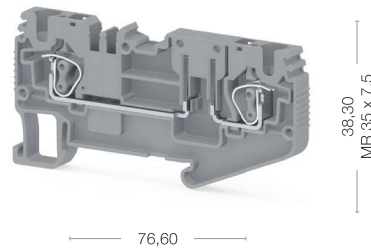
SRD 4 AD-B

Width: 6,2 mm



SRD 4 AK

Width: 6,2 mm



Cat No:

- 311 889
- 311 880

Voltage, V ~	Current, A	Cross-Section
500	1	4 mm ²
300	1	AWG 28-10
The max. current is determined by the diode. Installed: Diode 1N 4007, reverse voltage: 1300 V, maximum continuous current: 0.5 A.		

0,08 -6 mm ²
0,14 - 4 mm ²
1 mm ²
28-10
8-10
KT3 (0,6x3,5)

1000V
1 A
1 N 4007

Type	Cat.No.	Qty.
NPP/SRD 4E	451 199	50

Type	Cat.No.	Qty.
APP/SRD 4E	464 129	50

Type	Cat.No.	Qty.
TF Ø2	493 020	5

Type	Cat.No.	Qty.
CS 4/2	470 112	25
CS 4/3	470 113	20
CS 4/4	470 114	15
CS 4/5	470 115	10
CS 4/10	470 119	5
CS 4/20	470 180	10

8/3
1/A3
IP20/NA
D-NS 6,2x6, SLF-P1 W

50

Cat No:

- 311 899
- 311 890

Voltage, V ~	Current, A	Cross-Section
500	20	4 mm ²
300	20	AWG 28-10

0,08 -6 mm ²
0,14 - 4 mm ²
1 mm ²
28-10
8-10
KT3 (0,6x3,5)

Type	Cat.No.	Qty.
NPP/SRD 4E	451 199	50

Type	Cat.No.	Qty.
APP/SRD 4E	464 129	50

Type	Cat.No.	Qty.
TF Ø2	493 020	5

CS 4/2	470 112	25
CS 4/3	470 113	20
CS 4/4	470 114	15
CS 4/5	470 115	10
CS 4/10	470 119	5
CS 4/20	470 180	10

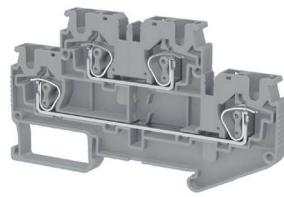
8/3
1/A3
IP20/NA
D-NS 6,2x6, SLF-P1 W

50

SRD 4-2F

SRD 4-2F

Width: 6,2 mm

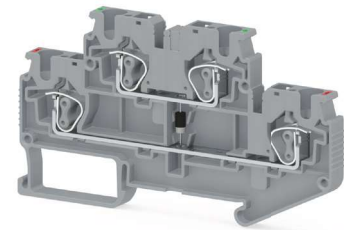


89,70

51,30
MP 35 x 7,5

SRD 4-2FD-A

Width: 6,2 mm



89,70

51,30
MP 35 x 7,5

Cat No:

311 909 311 901
311 900

Cat No:

311 919
311 910



Electrical Ratings
IEC (EN 60947-7-1/EN 60947-7-2)
UL
VDE (IEC 60947-7-1)
CSA
ATEX

Voltage, V ~	Current, A	Cross-Section
500	32	4 mm ²
300	30	AWG 28-10

Voltage, V ~	Current, A	Cross-Section
500	1	4 mm ²
300	1	AWG 28-10
The max. current is determined by the diode. Installed: Diode 1N 4007, reverse voltage: 1300 V, maximum continuous current: 0.5 A.		

Connection Data
Conductor cross section solid (min.-max.)
Conductor cross section stranded (min.-max.)
2 conductors with same cross section, stranded, TWIN ferrules with plastic sleeve
AWG Conductor
Insulation Stripping Length (min.-max.)
Screwdriver

0,08 -6 mm ²
0,14 - 4 mm ²
1 mm ²
28-10
8-10
KT3 (0,6x3,5)

0,08 -6 mm ²
0,14 - 4 mm ²
1 mm ²
28-10
8-10
KT3 (0,6x3,5)


Technical Data For Diode
Diode Reverse Voltage
Diode Current
Diod

1000V
1 A
1 N 4007

End Plate


Type	Cat.No.	Qty.
NPP/SRD 4_2F	451 219	50

Type	Cat.No.	Qty.
NPP/SRD 4_2F	451 219	50

Partition Plate


Type	Cat.No.	Qty.
APP/SRD 4_2F	464 159	50

Type	Cat.No.	Qty.
APP/SRD 4_2F	464 159	50

Test Plug


Type	Cat.No.	Qty.
TF Ø2	493 020	5

Type	Cat.No.	Qty.
TF Ø2	493 020	5

Cross Connection


Type	Cat.No.	Qty.
CS 4/2	470 112	25
CS 4/3	470 113	20
CS 4/4	470 114	15
CS 4/5	470 115	10
CS 4/10	470 119	5
CS 4/20	470 180	10

Type	Cat.No.	Qty.
CS 4/2	470 112	25
CS 4/3	470 113	20
CS 4/4	470 114	15
CS 4/5	470 115	10
CS 4/10	470 119	5
CS 4/20	470 180	10

Technical Data
Rated Impulse Voltage / Pollution severity
Insulation material group / Gauge pin code according to IEC 60947-1
Protection class / Protection conductor type

8/3
1/A3
IP20/NA

8/3
1/A3
IP20/NA

Marking Tags (Dekafix)
See pages 326-333 for a list of Dekafix

D-NS 6,2x6, SLF-P2 W

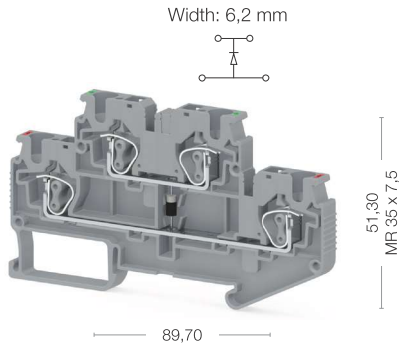
D-NS 6,2x6, SLF-P2 W

Package Quantity

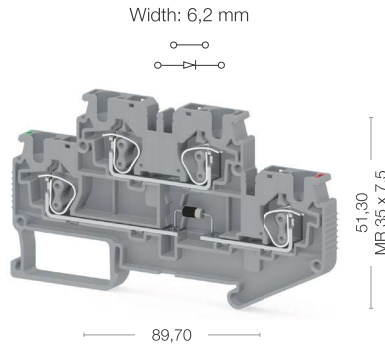
50

50

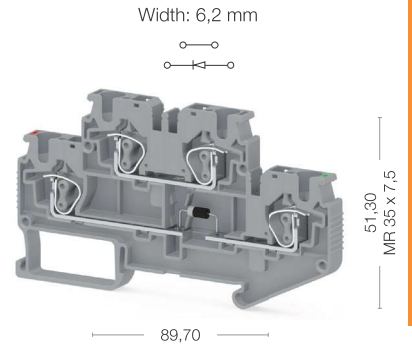
SRD 4-2FD-B



SRD 4-2FD-L



SRD 4-2FD-R



Cat No:

- 311 929
- 311 920

Voltage, V ~	Current, A	Cross-Section
500	1	4 mm ²
300	1	AWG 28-10
The max. current is determined by the diode. Installed: Diode 1N 4007, reverse voltage: 1300 V, maximum continuous current: 0.5 A.		

0,08 -6 mm ²
0,14 - 4 mm ²
1 mm ²
28-10
8-10
KT3 (0,6x3,5)

1000V
1 A
1 N 4007

Type	Cat.No.	Qty.
NPP/SRD 4_2F	451 219	50

Type	Cat.No.	Qty.
APP/SRD 4_2F	464 159	50

Type	Cat.No.	Qty.
TF Ø2	493 020	5

Type	Cat.No.	Qty.
CS 4/2	470 112	25
CS 4/3	470 113	20
CS 4/4	470 114	15
CS 4/5	470 115	10
CS 4/10	470 119	5
CS 4/20	470 180	10

8/3
1/A3
IP20/NA
D-NS 6,2x6, SLF-P2 W
50

Cat No:

- 312 049
- 312 040

Voltage, V ~	Current, A	Cross-Section
500	1	4 mm ²
300	1	AWG 28-10
The max. current is determined by the diode. Installed: Diode 1N 4007, reverse voltage: 1300 V, maximum continuous current: 0.5 A.		

0,08 -6 mm ²
0,14 - 4 mm ²
1 mm ²
28-10
8-10
KT3 (0,6x3,5)

1000V
1 A
1 N 4007

Type	Cat.No.	Qty.
NPP/SRD 4_2F	451 219	50

Type	Cat.No.	Qty.
APP/SRD 4_2F	464 159	50

Type	Cat.No.	Qty.
TF Ø2	493 020	5

CS 4/2	470 112	25
CS 4/3	470 113	20
CS 4/4	470 114	15
CS 4/5	470 115	10
CS 4/10	470 119	5
CS 4/20	470 180	10

8/3
1/A3
IP20/NA
D-NS 6,2x6, SLF-P2 W
50

Cat No:

- 311 939
- 311 930

Voltage, V ~	Current, A	Cross-Section
500	1	4 mm ²
300	1	AWG 28-10
The max. current is determined by the diode. Installed: Diode 1N 4007, reverse voltage: 1300 V, maximum continuous current: 0.5 A.		

0,08 -6 mm ²
0,14 - 4 mm ²
1 mm ²
28-10
8-10
KT3 (0,6x3,5)

1000V
1 A
1 N 4007

Type	Cat.No.	Qty.
NPP/SRD 4_2F	451 219	50

Type	Cat.No.	Qty.
APP/SRD 4_2F	464 159	50

Type	Cat.No.	Qty.
TF Ø2	493 020	5

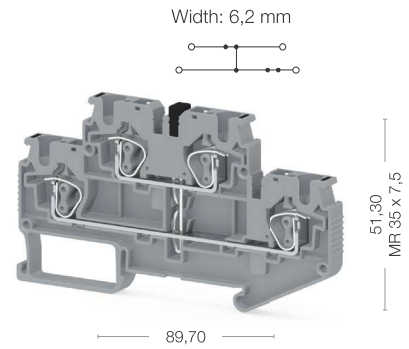
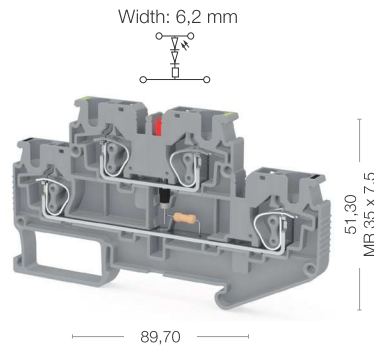
CS 4/2	470 112	25
CS 4/3	470 113	20
CS 4/4	470 114	15
CS 4/5	470 115	10
CS 4/10	470 119	5
CS 4/20	470 180	10

8/3
1/A3
IP20/NA
D-NS 6,2x6, SLF-P2 W
50

SRD 4-2F

SRD 4-2FLD-24VAC

SRD 4-2FK



Cat No:

- 311 959
- 311 950

Cat No:

- 312 069
- 312 060



Electrical Ratings
IEC (EN 60947-7-1/EN 60947-7-2)
UL
VDE (IEC 60947-7-1)
CSA
ATEX

Voltage, V ~	Current, A	Cross-Section
24	32	4 mm ²
24V (AC)	20mA	AWG 28-10

Voltage, V ~	Current, A	Cross-Section
500	32	4 mm ²
300	30	AWG 28-10

Connection Data	
Conductor cross section solid (min.-max.)	0,08 -6 mm ²
Conductor cross section stranded (min.-max.)	0,14 - 4 mm ²
2 conductors with same cross section, stranded, TWIN ferrules with plastic sleeve	1 mm ²
AWG Conductor	28-10
Insulation Stripping Length (min.-max.)	8-10
Screwdriver	KT3 (0,6x3,5)

Technical Data For Diode
Diode Reverse Voltage
Diode Current
Diod

End Plate

Type	Cat.No.	Qty.
NPP/SRD 4_2F	451 219	50

Type	Cat.No.	Qty.
NPP/SRD 4_2F	451 219	50

Partition Plate

Type	Cat.No.	Qty.
APP/SRD 4_2F	464 159	50

Type	Cat.No.	Qty.
APP/SRD 4_2F	464 159	50

Test Plug

Type	Cat.No.	Qty.
TF Ø2	493 020	5

Type	Cat.No.	Qty.
TF Ø2	493 020	5

Cross Connection

Type	Cat.No.	Qty.
CS 4/2	470 112	25
CS 4/3	470 113	20
CS 4/4	470 114	15
CS 4/5	470 115	10
CS 4/10	470 119	5
CS 4/20	470 180	10

Type	Cat.No.	Qty.
CS 4/2	470 112	25
CS 4/3	470 113	20
CS 4/4	470 114	15
CS 4/5	470 115	10
CS 4/10	470 119	5
CS 4/20	470 180	10

Technical Data	
Rated Impulse Voltage / Pollution severity	8/3
Insulation material group / Gauge pin code according to IEC 60947-1	1/A3
Protection class / Protection conductor type	IP20/NA

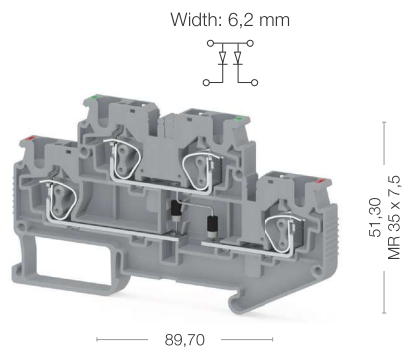
Marking Tags (Dekafix)
See pages 326-333 for a list of Dekafix

Package Quantity

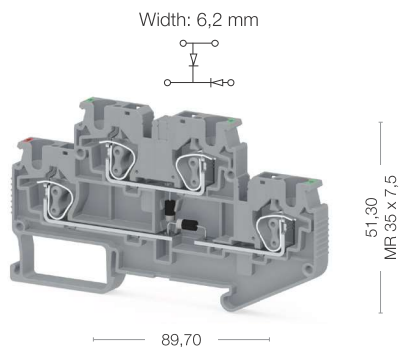
	50
--	----

	50
--	----

SRD 4-F2D-A



SRD 4-F2D-B



Cat No:

- 312 029
- 312 020

Voltage, V ~	Current, A	Cross-Section
500	1	4 mm ²
300	1	AWG 28-10
The max. current is determined by the diode. Installed: Diode 1N 4007, reverse voltage: 1300 V, maximum continuous current: 0.5 A.		

0,08 -6 mm ²
0,14 - 4 mm ²
1 mm ²
28-10
8-10
KT3 (0,6x3,5)

1000V
1 A
1 N 4007

Type	Cat.No.	Qty.
NPP/SRD 4_2F	451 219	50

Type	Cat.No.	Qty.
APP/SRD 4_2F	464 159	50

Type	Cat.No.	Qty.
TF Ø2	493 020	5

Type	Cat.No.	Qty.
CS 4/2	470 112	25
CS 4/3	470 113	20
CS 4/4	470 114	15
CS 4/5	470 115	10
CS 4/10	470 119	5
CS 4/20	470 180	10

8/3
1/A3
IP20/NA
D-NS 6,2x6, SLF-P2 W
50

Cat No:

- 312 039
- 312 030

Voltage, V ~	Current, A	Cross-Section
500	1	4 mm ²
300	10-28	AWG 28-10
The max. current is determined by the diode. Installed: Diode 1N 4007, reverse voltage: 1300 V, maximum continuous current: 0.5 A.		

0,08 -6 mm ²
0,14 - 4 mm ²
1 mm ²
28-10
8-10
KT3 (0,6x3,5)

1000V
1 A
1 N 4007

Type	Cat.No.	Qty.
NPP/SRD 4_2F	451 219	50

Type	Cat.No.	Qty.
APP/SRD 4_2F	464 159	50

Type	Cat.No.	Qty.
TF Ø2	493 020	5

CS 4/2	470 112	25
CS 4/3	470 113	20
CS 4/4	470 114	15
CS 4/5	470 115	10
CS 4/10	470 119	5
CS 4/20	470 180	10

8/3
1/A3
IP20/NA
D-NS 6,2x6, SLF-P2 W
50

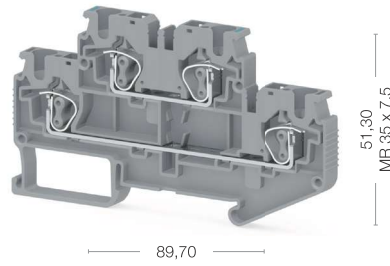
SRD 2,5-2FLD-..... Ordering Data

24VDC	Gray	311 949
	Beige	311 940
48VAC	Gray	311 979
	Beige	311 970
48VDC	Gray	311 969
	Beige	311 960
110VAC	Gray	311 999
	Beige	311 990
110VDC	Gray	311 989
	Beige	311 980
220VAC	Gray	312 019
	Beige	312 010
220VDC	Gray	312 009
	Beige	312 000

SRD 4-2F SRD 4-FT

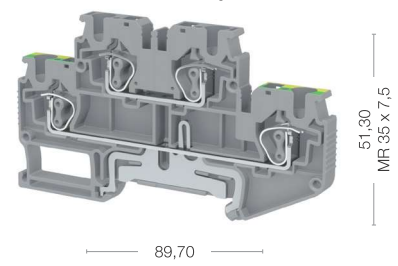
SRD 4-FN

Width: 6,2 mm



SRD 4-FT

Width: 6,2 mm



Cat No:

- 312 059
- 312 050

Cat No:

- 312 079
- 312 070



Electrical Ratings
IEC (EN 60947-7-1/EN 60947-7-2)
UL
VDE (IEC 60947-7-1)
CSA
ATEX

Voltage, V ~	Current, A	Cross-Section
500	32	4 mm ²
300	30	AWG 28-10

Voltage, V ~	Current, A	Cross-Section
500	32	4 mm ²
300	30	AWG 28-10

Connection Data
Conductor cross section solid (min.-max.)
Conductor cross section stranded (min.-max.)
2 conductors with same cross section, stranded, TWIN ferrules with plastic sleeve
AWG Conductor
Insulation Stripping Length (min.-max.)
Screwdriver

0,08 -6 mm ²
0,14 - 4 mm ²
1 mm ²
28-10
8-10
KT3 (0,6x3,5)

0,08 -6 mm ²
0,14 - 4 mm ²
1 mm ²
28-10
8-10
KT3 (0,6x3,5)

Technical Data For Diode
Diode Reverse Voltage
Diode Current
Diod

End Plate


Type	Cat.No.	Qty.
NPP/SRD 4_2F	451 219	50

Type	Cat.No.	Qty.
NPP/SRD 4_2F	451 219	50

Partition Plate


Type	Cat.No.	Qty.
APP/SRD 4_2F	464 159	50

Type	Cat.No.	Qty.
APP/SRD 4_2F	464 159	50

Test Plug


Type	Cat.No.	Qty.
TF Ø2	493 020	5

Type	Cat.No.	Qty.
TF Ø2	493 020	5

Cross Connection


Type	Cat.No.	Qty.
CS 4/2	470 112	25
CS 4/3	470 113	20
CS 4/4	470 114	15
CS 4/5	470 115	10
CS 4/10	470 119	5
CS 4/20	470 180	10

Type	Cat.No.	Qty.
CS 4/2	470 112	25
CS 4/3	470 113	20
CS 4/4	470 114	15
CS 4/5	470 115	10
CS 4/10	470 119	5
CS 4/20	470 180	10

Technical Data
Rated Impulse Voltage / Pollution severity
Insulation material group / Gauge pin code according to IEC 60947-1
Protection class / Protection conductor type

8/3
1/A3
IP20/NA

8/3
1/A3
IP20/NA/PE

Marking Tags (Dekafix)
See pages 326-333 for a list of Dekafix

D-NS 6,2x6, SLF-P2 W

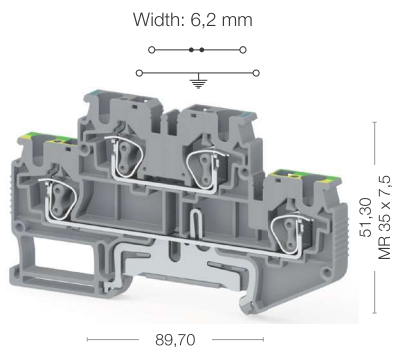
D-NS 6,2x6, SLF-P2 W

Package Quantity

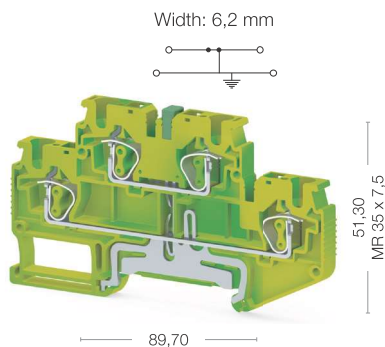
50

50

SRD 4-NT



SRD 4-2T



Cat No:

- 312 089
- 312 080

Voltage, V ~	Current, A	Cross-Section
500	32	4 mm ²
300	30	AWG 28-10

0,08 -6 mm ²
0,14 - 4 mm ²
1 mm ²
28-10
8-10
KT3 (0,6x3,5)

Type	Cat.No.	Qty.
NPP/SRD 4_2F	451 219	50

Type	Cat.No.	Qty.
APP/SRD 4_2F	464 159	50

Type	Cat.No.	Qty.
TF Ø2	493 020	5

Type	Cat.No.	Qty.
CS 4/2	470 112	25
CS 4/3	470 113	20
CS 4/4	470 114	15
CS 4/5	470 115	10
CS 4/10	470 119	5
CS 4/20	470 180	10

8/3
1/A3
IP20/NA/PE
D-NS 6,2x6, SLF-P2 W

50

Cat No:

- 337 150

Voltage, V ~	Current, A	Cross-Section
		4 mm ²
		AWG 28-10

0,08 -6 mm ²
0,14 - 4 mm ²
1 mm ²
28-10
8-10
KT3 (0,6x3,5)

Type	Cat.No.	Qty.
NPP/SRD 4-2F	451 212T	50

Type	Cat.No.	Qty.
APP/SRD 4-2F	464 159	50

Type	Cat.No.	Qty.
TF Ø2	493 020	5

Type	Cat.No.	Qty.
CS 4/2	470 112	25
CS 4/3	470 113	20
CS 4/4	470 114	15
CS 4/5	470 115	10
CS 4/10	470 119	5
CS 4/20	470 180	10

8/3
1/A3
IP20/PE
D-NS 6,2x6, SLF-P2 W

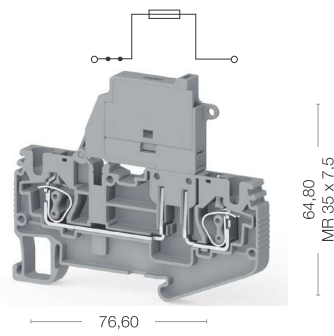
50

SRD 4 S

SRD 4 SLD

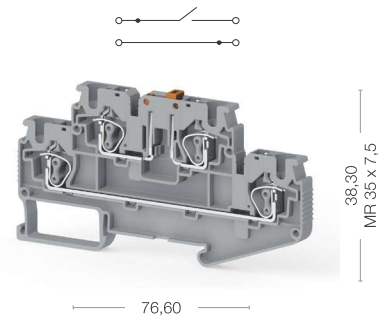
SRD 4S

Width: 6,2 mm



SRD 4 AF

Width: 6,2 mm







Cat No:

- 312 119
- 312 110

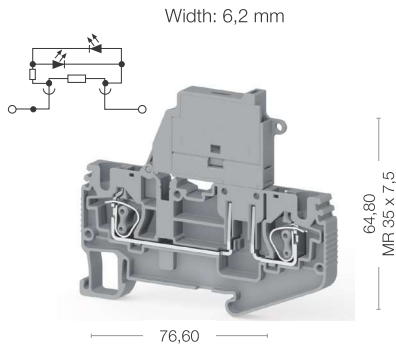
Cat No:

- 312 099
- 312 090

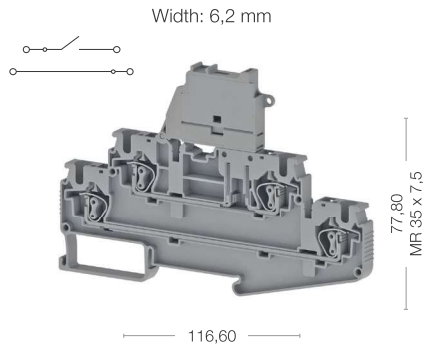


Electrical Ratings	Voltage, V ~	Current, A	Cross-Section	Voltage, V ~	Current, A	Cross-Section
IEC (EN 60947-7-1/EN 60947-7-2)	500	10	4 mm ²	500	32	24 mm ²
UL	300	10	AWG 28-10	300	T:20A, B:30A	AWG 28-10
VDE (IEC 60947-7-1)						
CSA						
ATEX						
Connection Data						
Conductor cross section solid (min.-max.)			0,08 -6 mm ²			0,08 -6 mm ²
Conductor cross section stranded (min.-max.)			0,14 - 4 mm ²			0,14 - 4 mm ²
2 conductors with same cross section, stranded, TWIN ferrules with plastic sleeve			1 mm ²			1 mm ²
AWG Conductor			28-10			28-10
Insulation Stripping Length (min.-max.)			8-10			8-10
Screwdriver			KT3 (0,6x3,5)			KT3 (0,6x3,5)
Technical Data For Diode						
Diode Reverse Voltage						
Diode Current						
Diod						
End Plate	Type	Cat.No.	Qty.	Type	Cat.No.	Qty.
	NPP/SRD 4E	451 199	50	NPP/SRD 4AF	451 229	50
Partition Plate	Type	Cat.No.	Qty.	Type	Cat.No.	Qty.
	APP/SRD 4E	464 129	50	APP/SRD 4AF	464 169	50
Test Plug	Type	Cat.No.	Qty.	Type	Cat.No.	Qty.
	TF Ø2	493 020	5	TF Ø2	493 020	5
Cross Connection	Type	Cat.No.	Qty.	Type	Cat.No.	Qty.
	CS 4/2	470 112	25	CS 4/2	470 112	25
	CS 4/3	470 113	20	CS 4/3	470 113	20
	CS 4/4	470 114	15	CS 4/4	470 114	15
	CS 4/5	470 115	10	CS 4/5	470 115	10
	CS 4/10	470 119	5	CS 4/10	470 119	5
	CS 4/20	470 180	10	CS 4/20	470 180	10
Technical Data						
Rated Impulse Voltage / Pollution severity			8/3			8/3
Insulation material group / Gauge pin code according to IEC 60947-1			1/A3			1/A3
Protection class / Protection conductor type			IP20/NA			IP20/NA
Marking Tags (Dekafix)						
See pages 326-333 for a list of Dekafix			D-NS 6,2x6, SLF-P1 W			D-NS 6,2x6, SLF-P2 W
Package Quantity			50			50

SRD 4 SLD 24V AC/DC



SRD 4 FS



Cat No:

- 312 139
- 312 130

Voltage, V ~	Current, A	Cross-Section
24	10	4 mm ²
24	10	AWG 28-10

0,08 -6 mm ²
0,14 - 4 mm ²
1 mm ²
28-10
8-10
KT3 (0,6x3,5)

Type	Cat.No.	Qty.
KD3	495 049	100
KD4	495 059	100
KD8	495 229	50

Type	Cat.No.	Qty.
NPP/SRD 4E	451 199	50

Type	Cat.No.	Qty.
APP/SRD 4E	464 129	50

Type	Cat.No.	Qty.
TF Ø2	493 020	5

Type	Cat.No.	Qty.
CS 4/2	470 112	25
CS 4/3	470 113	20
CS 4/4	470 114	15
CS 4/5	470 115	10
CS 4/10	470 119	5
CS 4/20	470 180	10

8/3
1/A4
IP20/NA
D-NS 6,2x6, SLF-P1 W

50

Cat No:

- 312 259
- 312 250

Voltage, V ~	Current, A	Cross-Section
24	10	4 mm ²
24	10	AWG 28-10

0,08 -6 mm ²
0,14 - 4 mm ²
1 mm ²
28-10
8-10
KT3 (0,6x3,5)

Type	Cat.No.	Qty.
KD3	495 049	100
KD4	495 059	100
KD8	495 229	50

Type	Cat.No.	Qty.
NPP/SRD 4FS	451 379	50

Type	Cat.No.	Qty.
APP/SRD 4E	464 129	50

Type	Cat.No.	Qty.
TF Ø2	493 020	5

Type	Cat.No.	Qty.
CS 4/2	470 112	25
CS 4/3	470 113	20
CS 4/4	470 114	15
CS 4/5	470 115	10
CS 4/10	470 119	5
CS 4/20	470 180	10

8/3
1/A4
IP20/NA
DG 6/5, SLF-P2 W

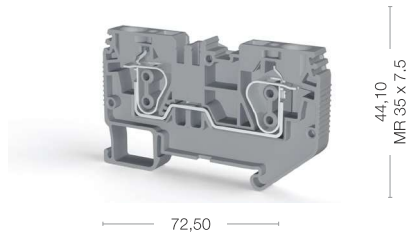
50

SRD 4 SLD -..... Ordering Data		
48V AC/DC	Gray	312 149
	Beige	312 140
110V AC/DC	Gray	312 159
	Beige	312 150
220V AC/DC	Gray	312 169
	Beige	312 160

SRD 6

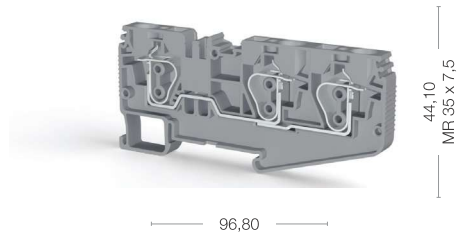
SRD 6

Width: 8 mm



SRD 6 E

Width: 8 mm



Cat No:

- 312 199
- 312 190

Cat No:

- 312 209
- 312 200



Electrical Ratings
IEC (EN 60947-7-1/EN 60947-7-2)
UL
VDE (IEC 60947-7-1)
CSA
ATEX

Voltage, V ~	Current, A	Cross-Section
1000	41	6 mm ²
600	43	AWG 24-8

Voltage, V ~	Current, A	Cross-Section
1000	41	6 mm ²
600	43	AWG 24-8

Connection Data
Conductor cross section solid (min.-max.)
Conductor cross section stranded (min.-max.)
2 conductors with same cross section, stranded, TWIN ferrules with plastic sleeve
AWG Conductor
Insulation Stripping Length (min.-max.)
Screwdriver

0,2 -10 mm ²
0,2 - 6 mm ²
1,5 mm ²
24-8
10-12
KTD 3 (0,6 x Ø3,5)

0,2 -10 mm ²
0,2 - 6 mm ²
1,5 mm ²
24-8
10-12
KTD 3 (0,6 x Ø3,5)

End Block

Type	Cat.No.	Qty.
KD3	495 049	100
KD4	495 059	100
KD7	495 210	50
KD8	495 229	50

Type	Cat.No.	Qty.
KD3	495 049	100
KD4	495 059	100
KD7	495 210	50
KD8	495 229	50

End Plate


Type	Cat.No.	Qty.
NPP/SRD 6	451 249	50

Type	Cat.No.	Qty.
NPP/SRD 6 E	451 259	50

Partition Plate


Type	Cat.No.	Qty.
APP/SRD 6	464 179	50

Type	Cat.No.	Qty.
APP/SRD 6 E	464 189	50

Test Plug


Type	Cat.No.	Qty.
TF Ø2,3	493 023	5

Type	Cat.No.	Qty.
TF Ø2,3	493 023	5

Cross Connection


Type	Cat.No.	Qty.
CS 6/2	470 122	25
CS 6/3	470 123	20
CS 6/4	470 124	15
CS 6/5	470 125	10
CS 6/10	470 129	5

Type	Cat.No.	Qty.
CS 6/2	470 122	25
CS 6/3	470 123	20
CS 6/4	470 124	15
CS 6/5	470 125	10
CS 6/10	470 129	5

Technical Data
Rated Impulse Voltage / Pollution severity
Insulation material group / Gauge pin code according to IEC 60947-1
Protection class / Protection conductor type

8/3
1/A5
IP20/NA

8/3
1/A5
IP20/NA

Marking Tags (Dekafix)
See pages 326-333 for a list of Dekafix

D-NS 8x6, SLF-P1 W

D-NS 8x6, SLF-P1 W

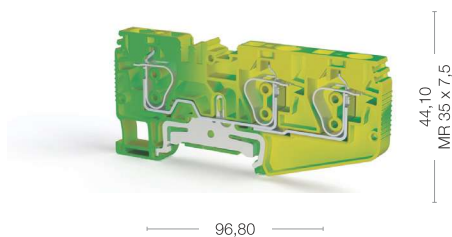
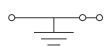
Package Quantity

50

50

SRD 6 ET

Width: 8 mm

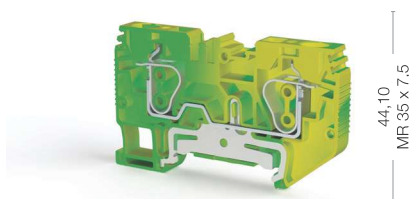


44,10
MF 35 x 7,5

96,80

SRD 6 T

Width: 8 mm



44,10
MF 35 x 7,5

72,50

Cat No:

337 220

Voltage, V ~	Current, A	Cross-Section
		6 mm ² AWG 24-8

0,2 -10 mm ²		
0,2 - 6 mm ²		
1,5 mm ²		
24-8		
10-12		
KTD 3 (0,6 x Ø3,5)		

Type	Cat.No.	Qty.
KD3	495 049	100
KD4	495 059	100
KD7	495 210	50
KD8	495 229	50

Type	Cat.No.	Qty.
NPP/SRD 6 E	451 252T	50

Type	Cat.No.	Qty.
APP/SRD 6 E	464 189	50

Type	Cat.No.	Qty.
TF Ø2,3	493 023	5

8/3		
1/A5		
IP20/PE		
D-NS 8x6, SLF-P1 W		

50		
----	--	--

Cat No:

337 210

Voltage, V ~	Current, A	Cross-Section
		6 mm ² AWG 24-8

0,2 -10 mm ²		
0,2 - 6 mm ²		
1,5 mm ²		
24-8		
10-12		
KTD 3 (0,6 x Ø3,5)		

Type	Cat.No.	Qty.
KD3	495 049	100
KD4	495 059	100
KD7	495 210	50
KD8	495 229	50

Type	Cat.No.	Qty.
NPP/SRD 6	451 242 T	50

Type	Cat.No.	Qty.
APP/SRD 6	464 179	50

Type	Cat.No.	Qty.
TF Ø2,3	493 023	5

8/3		
1/A5		
IP20/PE		
D-NS 8x6, SLF-P1 W		

50		
----	--	--

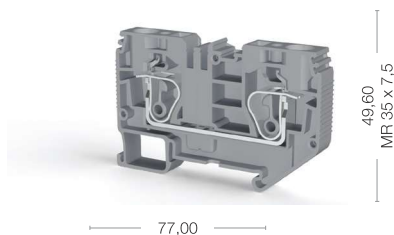
Color	Digit
Orange	7
White	6
Black	5
Red	4
Yellow	3
Green	2
Blue	1

Color code is the last digit of the order number

SRD 10

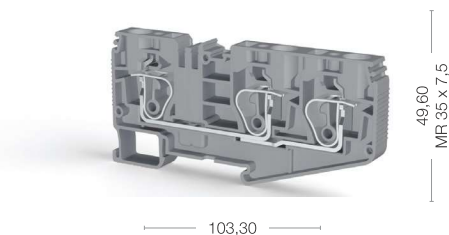
SRD 10

Width: 10 mm



SRD 10 E

Width: 10 mm



Cat No:

- 312 219
- 312 210

Cat No:

- 312 229
- 312 220



Electrical Ratings
IEC (EN 60947-7-1/EN 60947-7-2)
UL
VDE (IEC 60947-7-1)
CSA
ATEX

Voltage, V ~	Current, A	Cross-Section
1000	57	10 mm ²
600	60	AWG 20-6

Voltage, V ~	Current, A	Cross-Section
1000	57	10 mm ²
600	60	AWG 20-6

Connection Data
Conductor cross section solid (min.-max.)
Conductor cross section stranded (min.-max.)
2 conductors with same cross section, stranded, TWIN ferrules with plastic sleeve
AWG Conductor
Insulation Stripping Length (min.-max.)
Screwdriver

0,2 - 16 mm ²
0,2 - 10 mm ²
2,5 mm ²
24-6
16-18
KTD 4 (0,8 x Ø4,0)

0,2 - 16 mm ²
0,2 - 10 mm ²
2,5 mm ²
24-6
16-18
KTD 4 (0,8 x Ø4,0)

End Block

Type	Cat.No.	Qty.
KD3	495 049	100
KD4	495 059	100
KD7	495 210	50
KD8	495 229	50

Type	Cat.No.	Qty.
KD3	495 049	100
KD4	495 059	100
KD7	495 210	50
KD8	495 229	50

End Plate


Type	Cat.No.	Qty.
NPP/SRD 10	451 279	50

Type	Cat.No.	Qty.
NPP/SRD 10 E	451 299	50

Partition Plate


Type	Cat.No.	Qty.
APP/SRD 10	464 199	50

Type	Cat.No.	Qty.
APP/SRD 10 E	464 219	50

Test Plug


Type	Cat.No.	Qty.
TF Ø2,3	493 023	5

Type	Cat.No.	Qty.
TF Ø2,3	493 023	5

Cross Connection


Type	Cat.No.	Qty.
CS 10/2	470 132	25
CS 10/3	470 133	20
CS 10/4	470 134	15
CS 10/5	470 135	10
CS 10/10	470 139	5

Type	Cat.No.	Qty.
CS 10/2	470 132	25
CS 10/3	470 133	20
CS 10/4	470 134	15
CS 10/5	470 135	10
CS 10/10	470 139	5

Technical Data
Rated Impulse Voltage / Pollution severity
Insulation material group / Gauge pin code according to IEC 60947-1
Protection class / Protection conductor type
Marking Tags (Dekafix)
See pages 326-333 for a list of Dekafix

8/3
1/A6
IP20/NA
D-NS 10x6, SLF-P1 W

8/3
1/A6
IP20/NA
D-NS 10x6, SLF-P1 W

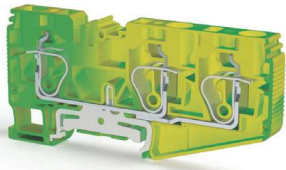
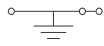
Package Quantity

50

50

SRD 10 ET

Width: 10 mm

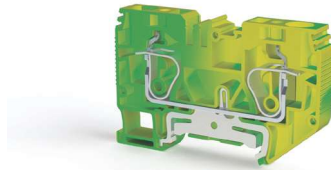
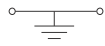


49,60
MP 35 x 7,5

103,30

SRD 10 T

Width: 10 mm



49,60
MP 35 x 7,5

77,00

Cat No:

337 240

Voltage, V ~	Current, A	Cross-Section
		10 mm ²
		AWG 20-6

0,2 -16 mm ²		
0,2 - 10 mm ²		
2,5 mm ²		
24-6		
16-18		
KTD 4 (0,8 x Ø4,0)		

Type	Cat.No.	Qty.
KD3	495 049	100
KD4	495 059	100
KD7	495 210	50
KD8	495 229	50

Type	Cat.No.	Qty.
NPP/SRD 10 E	451 292T	50

Type	Cat.No.	Qty.
APP/SRD 10 E	464 219	50

Type	Cat.No.	Qty.
TF Ø2,3	493 023	5

Type	Cat.No.	Qty.

8/3		
1/A6		
IP20/NA		
D-NS 10x6, SLF-P1 W		

50

Cat No:

337 230

Voltage, V ~	Current, A	Cross-Section
		10 mm ²
		AWG 20-6

0,2 -16 mm ²		
0,2 - 10 mm ²		
2,5 mm ²		
24-6		
16-18		
KTD 4 (0,8 x Ø4,0)		

Type	Cat.No.	Qty.
KD3	495 049	100
KD4	495 059	100
KD7	495 210	50
KD8	495 229	50

Type	Cat.No.	Qty.
NPP/SRD 10	451 272 T	50

Type	Cat.No.	Qty.
APP/SRD 10	464 199	50

Type	Cat.No.	Qty.
TF Ø2,3	493 023	5

Type	Cat.No.	Qty.

8/3		
1/A6		
IP20/NA		
D-NS 10x6, SLF-P1 W		

50

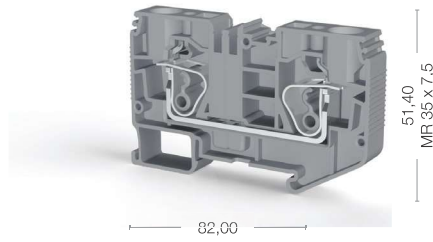
Color	Digit
Orange	7
White	6
Black	5
Red	4
Yellow	3
Green	2
Blue	1

Color code is the last digit of the order number

SRD 16

SRD 16

Width: 12 mm

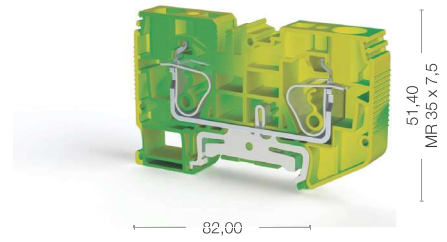
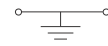


Cat No:

- 312 239
- 312 230

SRD 16 T

Width: 12 mm



Cat No:

- 337 250



Electrical Ratings
IEC (EN 60947-7-1/EN 60947-7-2)
UL
VDE (IEC 60947-7-1)
CSA
ATEX

Voltage, V ~	Current, A	Cross-Section
1000	76	16 mm ²
600	78	AWG 16-4

Voltage, V ~	Current, A	Cross-Section
		16 mm ²
		AWG 16-4

Connection Data
Conductor cross section solid (min.-max.)
Conductor cross section stranded (min.-max.)
2 conductors with same cross section, stranded, TWIN ferrules with plastic sleeve
AWG Conductor
Insulation Stripping Length (min.-max.)
Screwdriver

0,2 -25 mm ²
0,2 - 16 mm ²
2,5 mm ²
24-4
17
KTD 5 (1,0 x Ø5,5)

0,2 -25 mm ²
0,2 - 16 mm ²
2,5 mm ²
24-4
17
KTD 5 (1,0 x Ø5,5)

End Block

Type	Cat.No.	Qty.
KD 3	495 049	100
KD 4	495 059	100
KD 7	495 210	50
KD 8	495 229	50

Type	Cat.No.	Qty.
KD 3	495 049	100
KD 4	495 059	100
KD 7	495 210	50
KD 8	495 229	50

End Plate


Type	Cat.No.	Qty.
NPP/SRD 16	451 289	50

Type	Cat.No.	Qty.
NPP/SRD 16T	451 282T	50

Partition Plate


Type	Cat.No.	Qty.
APP/SRD 16	464 209	50

Type	Cat.No.	Qty.
APP/SRD 16	464 209	50

Test Plug


Type	Cat.No.	Qty.
TF Ø2,3	493 023	5

Type	Cat.No.	Qty.
TF Ø2,3	493 023	5

Cross Connection


Type	Cat.No.	Qty.
CS 16/2	470 152	25

Technical Data
Rated Impulse Voltage / Pollution severity
Insulation material group / Gauge pin code according to IEC 60947-1
Protection class / Protection conductor type
Marking Tags (Dekafix)
See pages 326-333 for a list of Dekafix

8/3
1/A7
IP20/NA
D-NS 12x6, SLF-P1 W

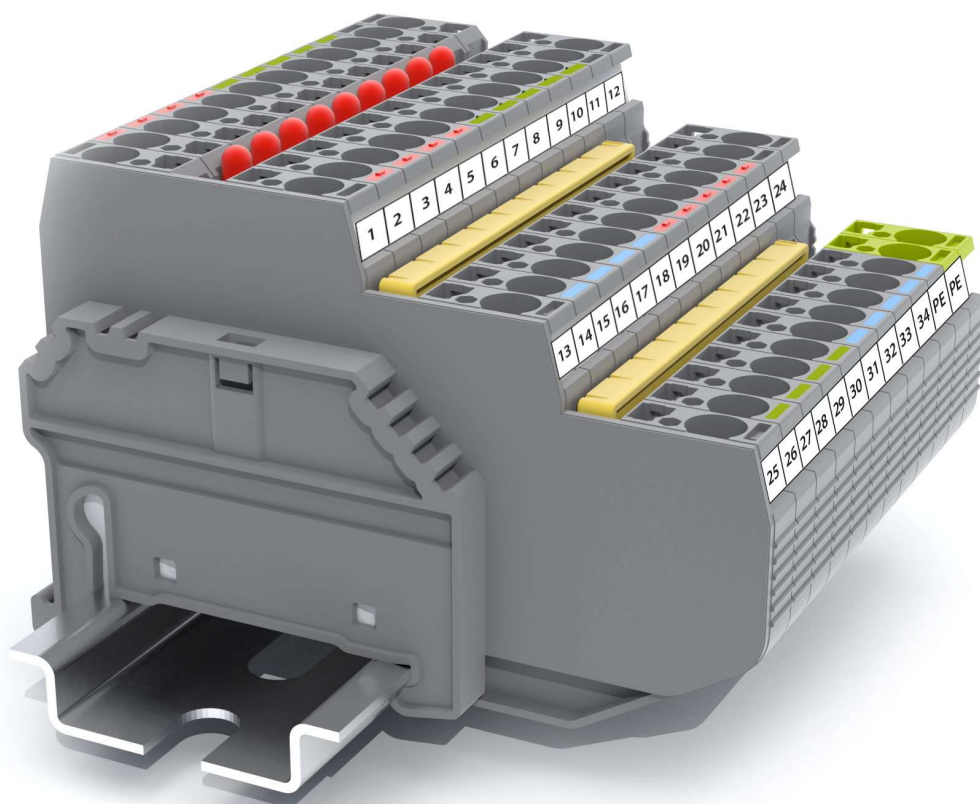
8/3
1/A7
IP20/NA
D-NS 12x6, SLF-P1 W

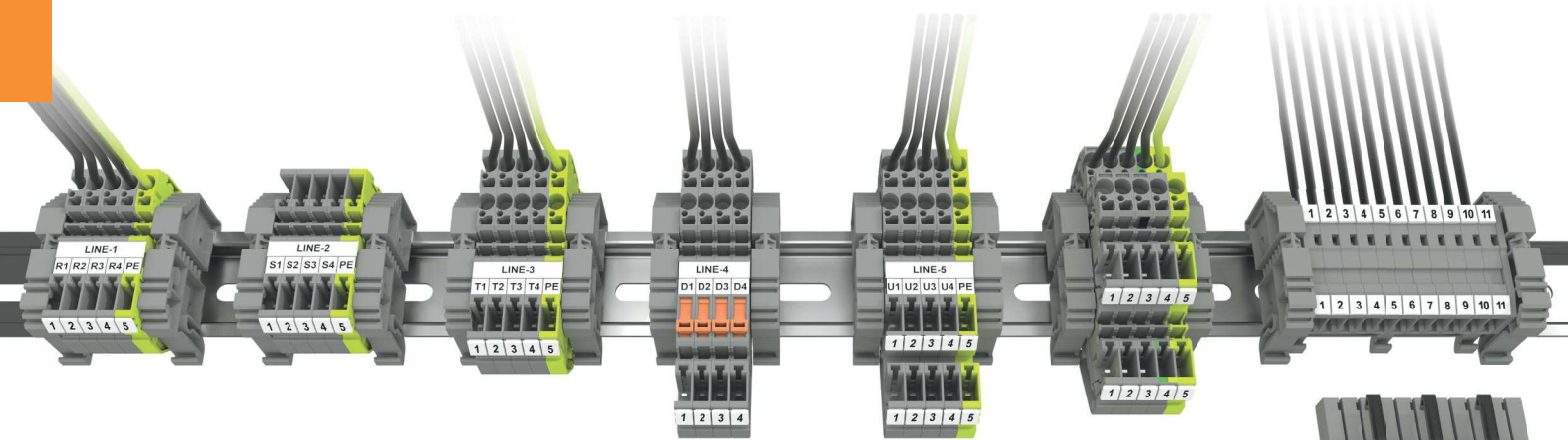
Package Quantity

50

50

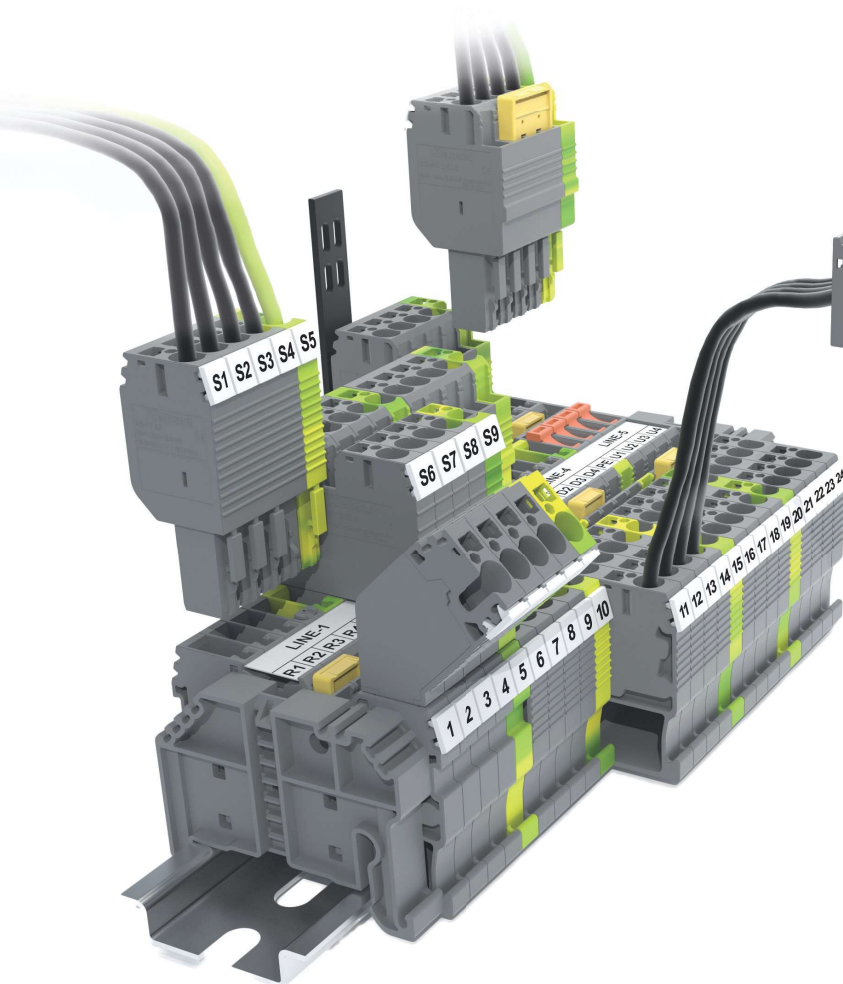
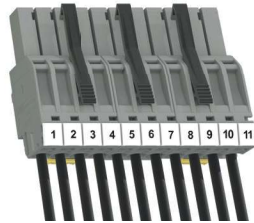
Color						
Color code is the last digit of the order number						
Blue	Green	Yellow	Red	Black	White	Orange
1	2	3	4	5	6	7





DIN Rail Mounting

Airborne connection terminals can be used on DIN rails as well as the other rail terminals with different sized structures.

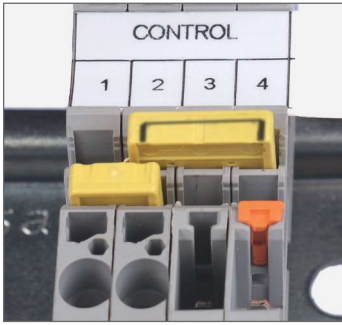


Klemsan StoP terminal blocks are **highly recommended** for **LIFT / ELEVATOR INDUSTRY** applications; also for **RAILWAY TRANSPORTATION** and **MARINE INDUSTRIES** as well.

By using our brand new series Klemsan StoP Terminal Blocks, you can easily build your signal or power circuits with plugs and sockets. Besides DIN Rail mount types, you can also make coupling of terminals without any DIN Rail fixing. The new StoP terminals enable users to intervene energy breakdowns quickly, making tests faster and safer.

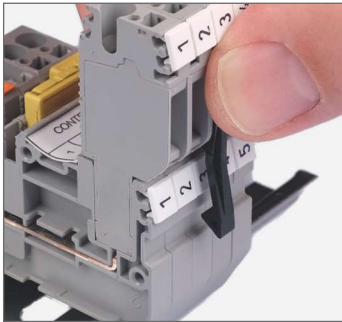
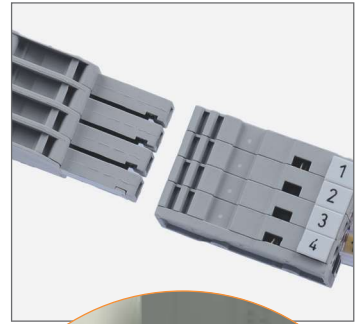
- By using pin locks, user can match the right plugs and sockets. This prevents misconnection.
- Plugs and sockets can be purchased separately to make customized sets.
- Same cross-connectors can be used for both terminals and sockets.
- User can use either strip labels or marking tags for the proper marking of the terminal block set.

Custom Solutions for Processes



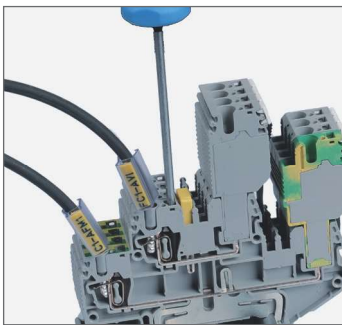
Cross-Connection

It is possible to make dual cross-connections on terminals and same cross-connectors can also be used for sockets. You may use permanent markers to indicate poles on cross-connectors.



Socket Locks

Extra optional locks prevent your circuits from excessive vibrations. Sockets can be removed from terminals by simply pushing the clip upwards.



Wire Assembly for Terminals

Wires can be assembled quickly and easily by opening the spring cage with the suitable screwdriver.



Cable Tie Mount

You can use a cable tie to hold all cables together assembled to the socket by using cable tie mount.



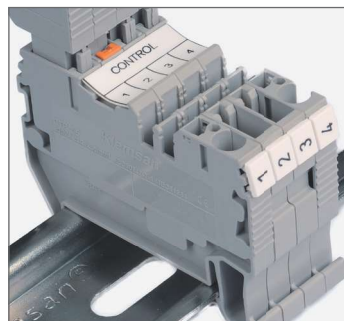
Airborne Connection

Airborne connection terminals can be used for making quick and safe connections inside the panels or installation ducts.



Pin Coding

Use orange pins on terminals to prevent the misconnection of sockets.



CTP 2.5

Width: 5,2 mm



Cat No: 51,60

PTP 2.5

Width: 5,2 mm



Cat No: 51,60

- 310 129
- 310 120
- 310 121

- 310 109
- 310 100
- 310 101



Electrical Ratings
IEC (EN 60947-7-1/EN 60947-7-2)
UL
VDE (IEC 60947-7-1)
CSA
ATEX

Voltage, V ~	Current, A	Cross-Section
500	24	2,5 mm ²
300	20	AWG 28-12

Voltage, V ~	Current, A	Cross-Section
500	24	2,5 mm ²
300	20	AWG 28-12

Connection Data
Conductor cross section solid (min.-max.)
Conductor cross section stranded (min.-max.)
2 conductors with same cross section, stranded, TWIN ferrules with plastic sleeve
AWG Conductor
Insulation Stripping Length (min.-max.)
Screwdriver

0,08 - 4 mm ²
0,14 - 2,5 mm ²
0,5 mm ²
28-12
8-10 mm

0,08 - 4 mm ²
0,14 - 2,5 mm ²
0,5 mm ²
28-12
8-10 mm



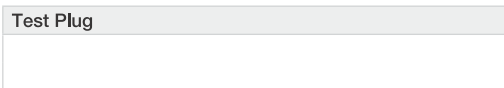
Type	Cat.No.	Qty.
NPP/CTP 2,5	451 059	50

Type	Cat.No.	Qty.
NPP/CTP 2,5	451 059	50



Type	Cat.No.	Qty.
APP/SRD 2,5	464 029	50

Type	Cat.No.	Qty.
APP/SRD 2,5	464 029	50



Type	Cat.No.	Qty.

Type	Cat.No.	Qty.



Type	Cat.No.	Qty.
CS 2,5 / 2	470 102	25
CS 2,5 / 3	470 103	20
CS 2,5 / 4	470 104	15
CS 2,5 / 5	470 105	10
CS 2,5 / 10	470 109	5
CS 2,5 / 20	470 170	10

Type	Cat.No.	Qty.
CS 2,5 / 2	470 102	25
CS 2,5 / 3	470 103	20
CS 2,5 / 4	470 104	15
CS 2,5 / 5	470 105	10
CS 2,5 / 10	470 109	5
CS 2,5 / 20	470 170	10

Technical Data
Rated Impulse Voltage / Pollution severity
Insulation material group / Gauge pin code according to IEC 60947-1
Protection class / Protection conductor type
Marking Tags (Dekafix)
See pages 326-333 for a list of Dekafix

6/3
1/A3
IP20/NA
D-NS 5,2x6, SLF-P1 W

6/3
1/A3
IP20/NA
D-NS 5,2x6, SLF-P1 W

Package Quantity
50

50

50

CTP 2.5 E

Width: 5,2 mm



37,30
MR 35
x 7,5

Cat No:

65,00

- 310 139
- 310 130
- 310 131

Voltage, V ~	Current, A	Cross-Section
500	24	2,5 mm ²
300	20	AWG 28-12

0,08 - 4 mm ²
0,14 - 2,5 mm ²
0,5 mm ²
28-12
8-10 mm

Type	Cat.No.	Qty.
NPP/CTP 2,5	451 159	50

Type	Cat.No.	Qty.
APP/SRD 2,5E	464 079	50

Type	Cat.No.	Qty.

Type	Cat.No.	Qty.
CS 2,5 / 2	470 102	25
CS 2,5 / 3	470 103	20
CS 2,5 / 4	470 104	15
CS 2,5 / 5	470 105	10
CS 2,5 / 10	470 109	5
CS 2,5 / 20	470 170	10

6/3
1/A3
IP20/NA
D-NS 5,2x6, SLF-P1 W

50

CTP 2.5 EA

Width: 5,2 mm



37,30
MR 35
x 7,5

Cat No:

85,50

310 159

Voltage, V ~	Current, A	Cross-Section
400	20	2,5 mm ²
300	20	AWG 28-12

0,08 - 4 mm ²
0,14 - 2,5 mm ²
0,5 mm ²
28-12
8-10 mm

Type	Cat.No.	Qty.
NPP/CTP 2,5 C	451 099	50

Type	Cat.No.	Qty.

Type	Cat.No.	Qty.

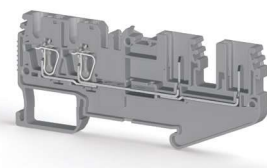
Type	Cat.No.	Qty.
CS 2,5 / 2	470 102	25
CS 2,5 / 3	470 103	20
CS 2,5 / 4	470 104	15
CS 2,5 / 5	470 105	10
CS 2,5 / 10	470 109	5
CS 2,5 / 20	470 170	10

6/3
1/A3
IP20/NA
D-NS 5,2x6, SLF-P1 W

50

CTP 2.5 C

Width: 5,2 mm



37,30
MR 35
x 7,5

Cat No:

85,60

310 149

Voltage, V ~	Current, A	Cross-Section
500	24	2,5 mm ²
300	20	AWG 28-12

0,08 - 4 mm ²
0,14 - 2,5 mm ²
0,5 mm ²
28-12
8-10 mm

Type	Cat.No.	Qty.
NPP/CTP 2,5 C	451 099	50

Type	Cat.No.	Qty.

Type	Cat.No.	Qty.

Type	Cat.No.	Qty.
CS 2,5 / 2	470 102	25
CS 2,5 / 3	470 103	20
CS 2,5 / 4	470 104	15
CS 2,5 / 5	470 105	10
CS 2,5 / 10	470 109	5
CS 2,5 / 20	470 170	10

6/3
1/A3
IP20/NA
D-NS 5,2x6, SLF-P1 W

50

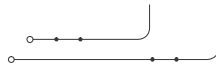
Series Terminals

CTP: Clamp to Pin,

PTP: Pin to Pin

CTP 2.5-2F

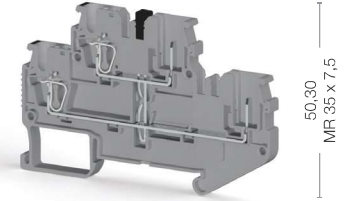
Width: 5,2 mm



Cat No: 79,20

CTP 2.5-2FK

Width: 5,2 mm



Cat No: 79,20

- 310 169
- 310 160
- 310 161

- 310 179



Electrical Ratings
IEC (EN 60947-7-1/EN 60947-7-2)
UL
VDE (IEC 60947-7-1)
CSA
ATEX

Voltage, V ~	Current, A	Cross-Section
500	24	2,5 mm ²
300	20	AWG 28-12

Voltage, V ~	Current, A	Cross-Section
500	24	2,5 mm ²
300	20	AWG 28-12

Connection Data
Conductor cross section solid (min.-max.)
Conductor cross section stranded (min.-max.)
2 conductors with same cross section, stranded, TWIN ferrules with plastic sleeve
AWG Conductor
Insulation Stripping Length (min.-max.)
Screwdriver

0,08 - 4 mm ²
0,14 - 2,5 mm ²
0,5 mm ²
28-12
8-10 mm

0,08 - 4 mm ²
0,14 - 2,5 mm ²
0,5 mm ²
28-12
8-10 mm



Type	Cat.No.	Qty.
NPP/CTP 2,5 F	451 079	25

Type	Cat.No.	Qty.
NPP/CTP 2,5 F	451 079	25



Type	Cat.No.	Qty.
APP/SRD 2,5-2F	464 069	50

Type	Cat.No.	Qty.
APP/SRD 2,5-2F	464 069	50



Type	Cat.No.	Qty.
TFØ2	493 020	5

Type	Cat.No.	Qty.
TFØ2	493 020	5



Type	Cat.No.	Qty.
CS 2,5 / 2	470 102	25
CS 2,5 / 3	470 103	20
CS 2,5 / 4	470 104	15
CS 2,5 / 5	470 105	10
CS 2,5 / 10	470 109	5
CS 2,5 / 20	470 170	10

Type	Cat.No.	Qty.
CS 2,5 / 2	470 102	25
CS 2,5 / 3	470 103	20
CS 2,5 / 4	470 104	15
CS 2,5 / 5	470 105	10
CS 2,5 / 10	470 109	5
CS 2,5 / 20	470 170	10

Technical Data
Rated Impulse Voltage / Pollution severity
Insulation material group / Gauge pin code according to IEC 60947-1
Protection class / Protection conductor type
Marking Tags (Dekafix)
See pages 326-333 for a list of Dekafix

6/3
1/A3
IP20/NA
D-NS 5,2x6, SLF-P2 W

6/3
1/A3
IP20/NA
D-NS 5,2x6, SLF-P2 W

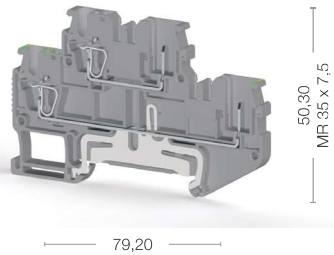
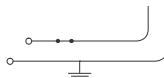
Package Quantity
50

50

50

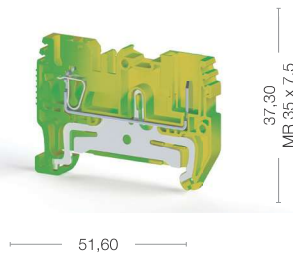
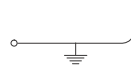
CTP 2.5-FT

Width: 5,2 mm



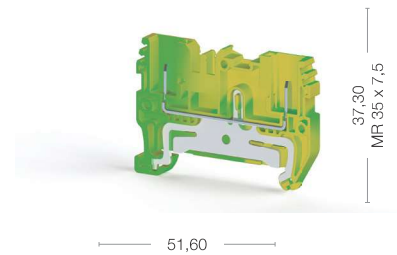
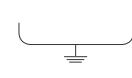
CTP 2.5 T

Width: 5,2 mm



PTP 2.5 T

Width: 5,2 mm



Cat No:

310 189

Voltage, V ~	Current, A	Cross-Section
500	24	2,5 mm ²
300	20	AWG 28-12

0,08 - 4 mm ²		
0,14 - 2,5 mm ²		
0,5 mm ²		
28-12		
8-10 mm		

Type	Cat.No.	Qty.
NPP/CTP 2,5 F	451 079	25

Type	Cat.No.	Qty.
APP/SRD 2,5-2F	464 069	50

Type	Cat.No.	Qty.
TF02	493 020	5

Type	Cat.No.	Qty.
CS 2,5 / 2	470 102	25
CS 2,5 / 3	470 103	20
CS 2,5 / 4	470 104	15
CS 2,5 / 5	470 105	10
CS 2,5 / 10	470 109	5
CS 2,5 / 20	470 170	10

6/3		
1/A3		
IP20/NA/PE		
D-NS 5,2x6, SLF-P2 W		

50

Cat No:

337 040

Voltage, V ~	Current, A	Cross-Section
		2,5 mm ²
		AWG 28-12

0,08 - 4 mm ²		
0,14 - 2,5 mm ²		
0,5 mm ²		
28-12		
8-10 mm		

Type	Cat.No.	Qty.
NPP/CTP 2,5 T	451 052 T	50

Type	Cat.No.	Qty.
APP/SRD 2,5	464 029	50

Type	Cat.No.	Qty.
TF02	493 020	5

Type	Cat.No.	Qty.

6/3		
1/A3		
IP20/PE		
D-NS 5,2x6, SLF-P2 W		

50

Cat No:

337 020

Voltage, V ~	Current, A	Cross-Section
		2,5 mm ²
		AWG 28-12

0,08 - 4 mm ²		
0,14 - 2,5 mm ²		
0,5 mm ²		
28-12		
8-10 mm		

Type	Cat.No.	Qty.
NPP/CTP 2,5 T	451 052 T	50

Type	Cat.No.	Qty.
APP/SRD 2,5	464 029	50

Type	Cat.No.	Qty.
TF02	493 020	5

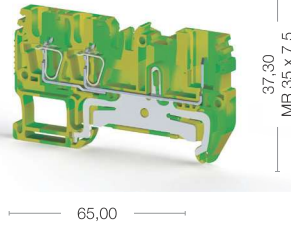
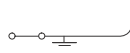
Type	Cat.No.	Qty.

6/3		
1/A3		
IP20/PE		
D-NS 5,2x6, SLF-P2 W		

50

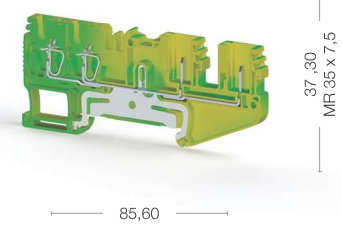
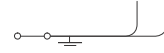
CTP 2.5 ET

Width: 5,2 mm



CTP 2.5 CT

Width: 5,2 mm



Cat No:

337 050

Cat No:

337 060

Electrical Ratings
IEC (EN 60947-7-1/EN 60947-7-2)
UL
VDE (IEC 60947-7-1)
CSA
ATEX

Voltage, V ~	Current, A	Cross-Section
		2,5 mm ²
		AWG 28-12

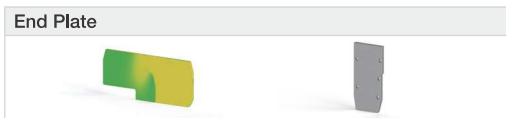
Voltage, V ~	Current, A	Cross-Section
		2,5 mm ²
		AWG 28-12

Connection Data
Conductor cross section solid (min.-max.)
Conductor cross section stranded (min.-max.)
2 conductors with same cross section, stranded, TWIN ferrules with plastic sleeve
AWG Conductor
Insulation Stripping Length (min.-max.)
Screwdriver

Conductor cross section solid (min.-max.)	Conductor cross section stranded (min.-max.)	2 conductors with same cross section, stranded, TWIN ferrules with plastic sleeve	AWG Conductor	Insulation Stripping Length (min.-max.)
0,08 - 4 mm ²	0,14 - 2,5 mm ²	0,5 mm ²	28-12	8-10 mm

Conductor cross section solid (min.-max.)	Conductor cross section stranded (min.-max.)	2 conductors with same cross section, stranded, TWIN ferrules with plastic sleeve	AWG Conductor	Insulation Stripping Length (min.-max.)
0,08 - 4 mm ²	0,14 - 2,5 mm ²	0,5 mm ²	28-12	8-10 mm

Technical Data For Diode
Diode Reverse Voltage
Diode Current
Diod



Type	Cat.No.	Qty.
NPP/CTP 2,5 ET	451 152 T	50

Type	Cat.No.	Qty.
NPP/CTP 2,5 CT	451 092 T	50



Type	Cat.No.	Qty.
APP/SRD 2,5E	464 079	50

Type	Cat.No.	Qty.



Type	Cat.No.	Qty.
TF02	493 020	5

Type	Cat.No.	Qty.

Technical Data
Rated Impulse Voltage / Pollution severity
Insulation material group / Gauge pin code according to IEC 60947-1
Protection class / Protection conductor type
Marking Tags (Dekafix)
See pages 326-333 for a list of Dekafix

6/3	1/A3	IP20/PE	D-NS 5,2x6, SLF-P1 W

6/3	1/A3	IP20/PE	D-NS 5,2x6, SLF-P1 W

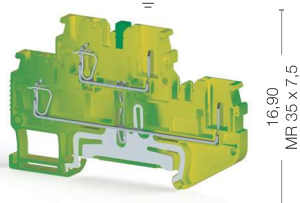
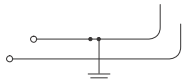
Package Quantity

50

50

CTP 2.5-2T

Width: 5,2 mm

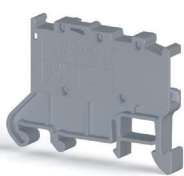


65,00

16,90
MR 35 x 7,5

SC-PTR 2.5

Width: 5,2 mm



Cat No: 41,70

33,20
MR 35 x 7,5

SC-PT 2.5

Width: 5,2 mm



Cat No: 16,90

35,00

SC-PTS 2.5

Width: 5,2 mm



Cat No: 16,90

35,00
Ø: 3,5

Cat No:

337 070

310 949
310 940
310 941

310 929
310 920
310 921

310 939
310 930
310 931

Voltage, V ~	Current, A	Cross-Section
		2,5 mm ²
		AWG 28-12

Voltage, V ~	Current, A	Cross-Section
500	20	2,5 mm ²
300	20	AWG 28-12

Voltage, V ~	Current, A	Cross-Section
500	24	2,5 mm ²
300	20	AWG 28-12

Voltage, V ~	Current, A	Cross-Section
500	24	2,5 mm ²
300	20	AWG 28-12

0,08 - 4 mm ²
0,14 - 2,5 mm ²
0,5 mm ²
28-12
8-10 mm

0,08 - 4 mm ²
0,14 - 2,5 mm ²
0,5 mm ²
28-12
8-10 mm

0,08 - 4 mm ²
0,14 - 2,5 mm ²
0,5 mm ²
28-12
8-10 mm

0,08 - 4 mm ²
0,14 - 2,5 mm ²
0,5 mm ²
28-12
8-10 mm

Type	Cat.No.	Qty.
NPP/CTP 2,5 2T	451 072 T	25

Type	Cat.No.	Qty.
NPP/SC-PT 2,5	451 119	50

Type	Cat.No.	Qty.
NPP/SC-PT 2,5	451 119	50

Type	Cat.No.	Qty.
NPP/SC-PT 2,5	451 119	50

Type	Cat.No.	Qty.

Type	Cat.No.	Qty.

Type	Cat.No.	Qty.

Type	Cat.No.	Qty.

Type	Cat.No.	Qty.
TF02	493 020	5

Type	Cat.No.	Qty.
TF02	493 020	5

Type	Cat.No.	Qty.
TF02	493 020	5

Type	Cat.No.	Qty.
TF02	493 020	5

6/3
1/A3
IP20/PE
D-NS 5,2x6, SLF-P1 W

6/3
1/A3
IP20/NA
D-NS 5,2x6, SLF-P1 W

6/3
1/A3
IP20/NA
D-NS 5,2x6, SLF-P1 W

6/3
1/A3
IP20/NA
D-NS 5,2x6, SLF-P1 W

50

50

50

50

• Can be used with Klemsan products only • Can be used with Klemsan products only • Can be used with Klemsan products only

Series Terminals

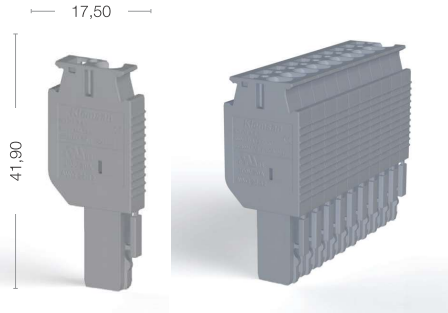
CTP: Clamp to Pin,
PTP: Pin to Pin

• Can be used with Klemmsan products only



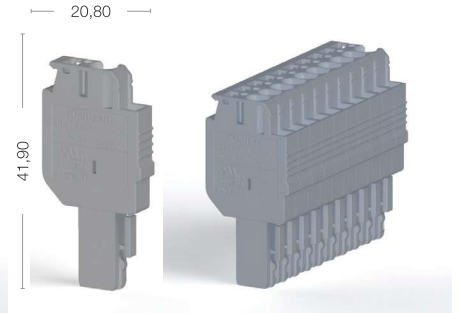
SG-PT 2.5

Width: 5,2 mm



SG-PT 2.5 CS

Width: 5,2 mm



Electrical Ratings
CE (IEC 61984 / IEC 60947-7-1)
UL

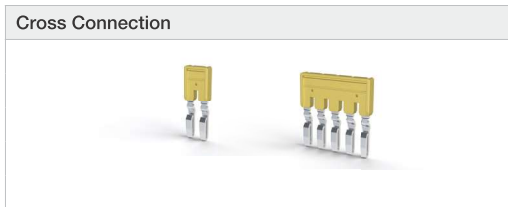
Voltage, V ~	Current, A	Cross-Section
500	24	2,5 mm ²
300	20	AWG 28-12

Voltage, V ~	Current, A	Cross-Section
500	24	2,5 mm ²
300	20	AWG 28-12

Connection Data
Conductor cross section solid (min.-max.)
Conductor cross section stranded (min.-max.)
2 conductors with same cross section, stranded, TWIN ferrules with plastic sleeve
AWG Conductor
Insulation Stripping Length (min.-max.)

0,08 - 4 mm ²
0,14 - 2,5 mm ²
0,5 mm ²
28-12
8-10 mm

0,08 - 4 mm ²
0,14 - 2,5 mm ²
0,5 mm ²
28-12
8-10 mm



Type	Cat.No.	Qty.
CS 2,5 / 2	470 102	25
CS 2,5 / 3	470 103	20
CS 2,5 / 4	470 104	15
CS 2,5 / 5	470 105	10
CS 2,5 / 10	470 109	5

Technical Data
Rated Impulse Voltage / Pollution severity
Insulation material group / Gauge pin code according to IEC 60947-1
Protection class / Protection conductor type

6/3
1/A3
IP 20 / -

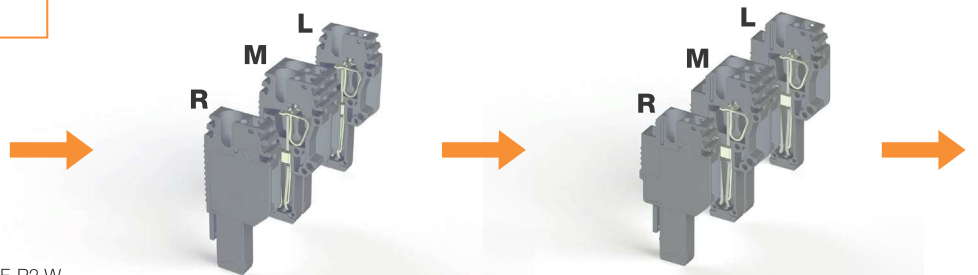
6/3
1/A3
IP 20 / -

Ordenaring Data	
SG-PT 2.5CS-1	SG-PT 2.51
SG-PT 2.5AN-1	SG-PT 2.5DB-1

Type	Cat. No.	Qty.
SG-PT 2.5-1	310 209	50
SG-PT 2.5-2	310 219	50
SG-PT 2.5-3	310 229	50
SG-PT 2.5-4	310 239	50
SG-PT 2.5-5	310 249	50
SG-PT 2.5-6	310 259	25
SG-PT 2.5-7	310 269	25
SG-PT 2.5-8	310 279	25
SG-PT 2.5-9	310 289	25
SG-PT 2.5-10	310 299	25
SG-PT 2.5-11	310 309	10
SG-PT 2.5-12	310 319	10
SG-PT 2.5-13	310 329	10
SG-PT 2.5-14	310 339	10
SG-PT 2.5-15	310 349	10
SG-PT 2.5-1	310 202T	50
SG-PT 2.5-1L	310 352T	50
SG-PT 2.5G-1M	310 362T	50
SG-PT 2.5G-1R	310 372T	50

Type	Cat. No.	Qty.
SG-PT 2.5CS-1	310 389	50
SG-PT 2.5CS-2	310 399	50
SG-PT 2.5CS-3	310 409	50
SG-PT 2.5CS-4	310 419	50
SG-PT 2.5CS-5	310 429	50
SG-PT 2.5CS-6	310 439	25
SG-PT 2.5CS-7	310 449	25
SG-PT 2.5CS-8	310 459	25
SG-PT 2.5CS-9	310 469	25
SG-PT 2.5CS-10	310 479	25
SG-PT 2.5CS-11	310 489	10
SG-PT 2.5CS-12	310 499	10
SG-PT 2.5CS-13	310 509	10
SG-PT 2.5CS-14	310 519	10
SG-PT 2.5CS-15	310 529	10
SG-PT 2.5CS-1	310 382T	50
SG-PT 2.5CS-1L	310 532T	50
SG-PT 2.5GCS-1M	310 542T	50
SG-PT 2.5GCS-1R	310 552T	50

Just combine single units of **L-R** products for left and right ends, add desired quantities of **M** products in-between to make your custom sockets.



Marking Tags (Dekafix):

See pages 326-333 for usage of Dekafix / D-NS 5,2x6, SLF-P2 W

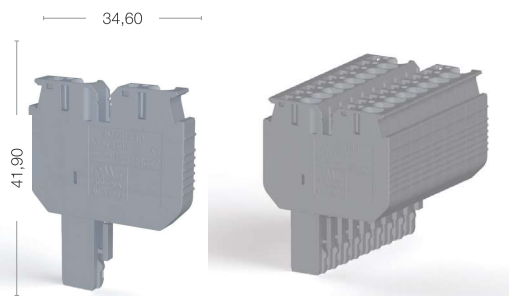
SG-PT 2.5 AN

Width: 5,2 mm



SG-PT 2.5 DB

Width: 5,2 mm



Voltage, V ~	Current, A	Cross-Section
500	24	2,5 mm ²
300	20	AWG 28-12

0,08 - 4 mm ²
0,14 - 2,5 mm ²
0,5 mm ²
28-12
8-10 mm

Type	Cat.No.	Qty.

6/3
1/A3
IP 20 / -

Type	Cat. No.	Qty.
SG-PT 2.5AN-1	310 749	50
SG-PT 2.5AN-2	310 759	50
SG-PT 2.5AN-3	310 769	50
SG-PT 2.5AN-4	310 779	50
SG-PT 2.5AN-5	310 789	50
SG-PT 2.5AN-6	310 799	25
SG-PT 2.5AN-7	310 809	25
SG-PT 2.5AN-8	310 819	25
SG-PT 2.5AN-9	310 829	25
SG-PT 2.5AN-10	310 839	25
SG-PT 2.5AN-11	310 849	10
SG-PT 2.5AN-12	310 859	10
SG-PT 2.5AN-13	310 869	10
SG-PT 2.5AN-14	310 879	10
SG-PT 2.5AN-15	310 889	10
SG-PT 2.5AN-1	310 742T	50
SG-PT 2.5AN-1L	310 892T	50
SG-PT 2.5GAN-1M	310 902T	50
SG-PT 2.5GAN-1R	310 912T	50

Voltage, V ~	Current, A	Cross-Section
500	24	2,5 mm ²
300	20	AWG 28-12

0,08 - 4 mm ²
0,14 - 2,5 mm ²
0,5 mm ²
28-12
8-10 mm

Type	Cat.No.	Qty.
CS 2,5 / 2	470 102	25
CS 2,5 / 3	470 103	20
CS 2,5 / 4	470 104	15
CS 2,5 / 5	470 105	10
CS 2,5 / 10	470 109	5

6/3
1/A3
IP 20 / -

Type	Cat. No.	Qty.
SG-PT 2.5DB-1	310 569	50
SG-PT 2.5DB-2	310 579	50
SG-PT 2.5DB-3	310 589	50
SG-PT 2.5DB-4	310 599	50
SG-PT 2.5DB-5	310 609	50
SG-PT 2.5DB-6	310 619	25
SG-PT 2.5DB-7	310 629	25
SG-PT 2.5DB-8	310 639	25
SG-PT 2.5DB-9	310 649	25
SG-PT 2.5DB-10	310 659	25
SG-PT 2.5DB-11	310 669	10
SG-PT 2.5DB-12	310 679	10
SG-PT 2.5DB-13	310 689	10
SG-PT 2.5DB-14	310 699	10
SG-PT 2.5DB-15	310 709	10
SG-PT 2.5DB-1	310 562T	50
SG-PT 2.5DB-1L	310 712T	50
SG-PT 2.5GDB-1M	310 722T	50
SG-PT 2.5GDB-1R	310 732T	50



SG-PT 2.5AN-1 L











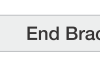


SG-PT 2.5GAN-1M



SG-PT 2.5GDB-1M

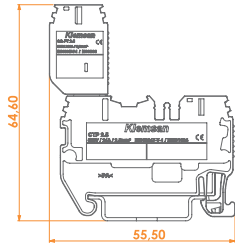
• Can be used with Klemsan products only



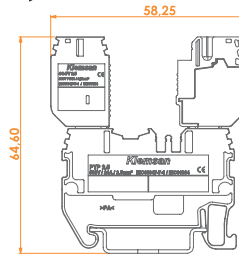
Type		Compatible Products
Socket Locks		
SG-L 469 005 📦 50 Qty.		SG-PT 2.5 SG-PT 2.5CS SG-PT 2.5AN SG-PT 2.5DB
SG-L2 469 015 📦 50 Qty.		
Pin Lock		
SG-N 469 027 📦 50 Qty.		CTP 2.5 PTP 2.5 CTP 2.5E CTP 2.5EA CTP 2.5C CTP 2.5-2F CTP 2.5-2FK CTP 2.5-FT CTP 2.5T PTP 2.5T CTP 2.5ET CTP 2.5CT CTP 2.5-2T
Cable Tie Holder		
SG-P 469 035 📦 100 Qty.		SG-PT 2.5 SG-PT 2.5CS SG-PT 2.5AN SG-PT 2.5DB
Cross-Connection		
SRD K2.5 470 201 📦 100 Qty.		CTP 2.5-2F CTP 2.5-FT
SRD K2.5 470 202 📦 100 Qty.		
Separation Plates		
APP/SRD CTP 2.5 464 029 📦 50 Qty.		CTP 2.5 PTP 2.5 CTP 2.5T PTP 2.5T
APP/CTP 2.5E 464 039 📦 50 Qty.		
APP/CTP 2.5C 464 049 📦 50 Qty.		CTP 2.5C
APP/SRD CTP 2.5-2F 464 069 📦 25 Qty.		CTP 2.5-2FK CTP 2.5-FT CTP 2.5-2F CTP 2.5-2T
End Brackets		
KD 3 / NM 497 009		CTP 2.5 PTP 2.5 CTP 2.5E CTP 2.5EA CTP 2.5C CTP 2.5-2F CTP 2.5-2FK CTP 2.5-FT CTP 2.5T PTP 2.5T CTP 2.5ET CTP 2.5CT CTP 2.5-2T
KD 4 / NM 497 069		

Type		Compatible Products
Rails		
MR35X7.5 (1m) 500 601 📦 20 Qty.		CTP 2.5 PTP 2.5 CTP 2.5E CTP 2.5EA CTP 2.5C CTP 2.5-2F CTP 2.5-2FK CTP 2.5-FT CTP 2.5T PTP 2.5T CTP 2.5ET CTP 2.5CT CTP 2.5-2T SC-PTR 2.5
MR35X7.5 Slotted (1m) 500 602 📦 20 Qty.		
MR35X15 (1m) 500 606 📦 10 Qty.		
MR35X15 Slotted (1m) 500 607 📦 10 Qty.		
Marking		
SLF-P1 W 1020 100 📦 1 Qty.		CTP 2.5 PTP 2.5 CTP 2.5E CTP 2.5EA CTP 2.5C CTP 2.5T PTP 2.5T CTP 2.5ET CTP 2.5CT
DG 6/5 505 330 📦 440 Qty.		
D-NS 5,2x6 810 450 📦 720 Qty.		Compatible with all StoP products.
Test Plug		
TF02 493 020 📦 50 Qty.		CTP 2.5 CTP 2.5E CTP 2.5EA CTP 2.5C CTP 2.5-2F CTP 2.5-2FK CTP 2.5-FT CTP 2.5T CTP 2.5ET CTP 2.5CT CTP 2.5-2T SG-PT 2.5 SG-PT 2.5CS SG-PT 2.5AN SG-PT 2.5DB
Screwdriver		
KTD 1 561 130 📦 10 Qty.		Compatible with all StoP products.

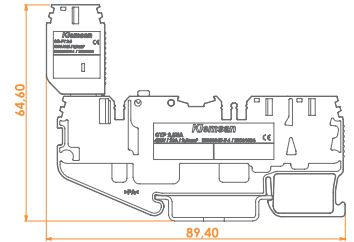
CTP 2,5



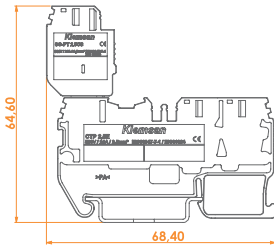
PTP 2,5



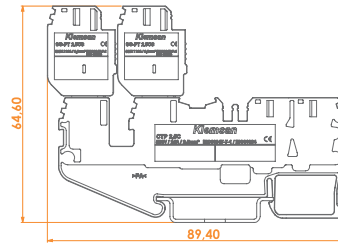
CTP 2,5EA



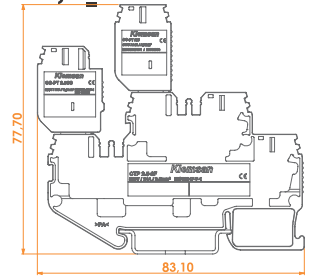
CTP 2,5E



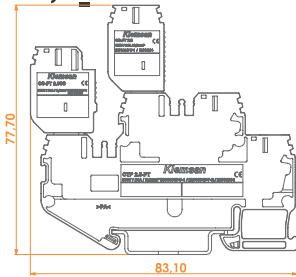
CTP 2,5C



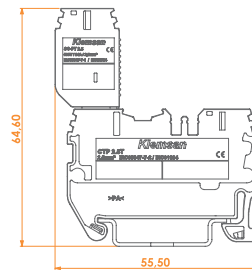
CTP 2,5 2F



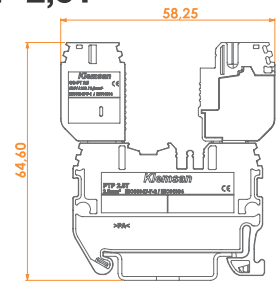
CTP 2,5 2FT



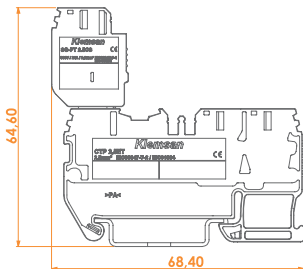
CTP 2,5T



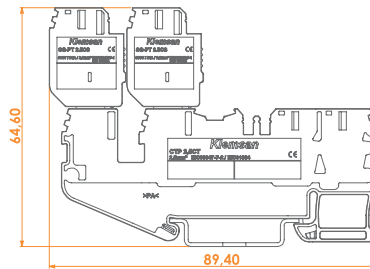
PTP 2,5T



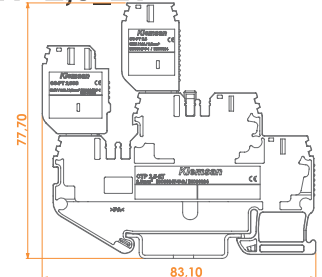
CTP 2,5ET



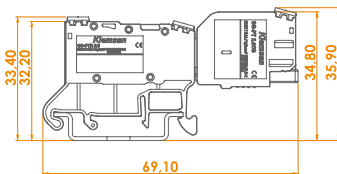
CTP 2,5CT



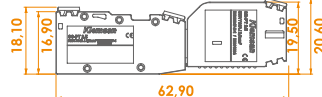
CTP 2,5 2T



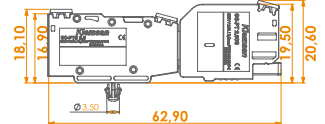
SC-PTR 2,5



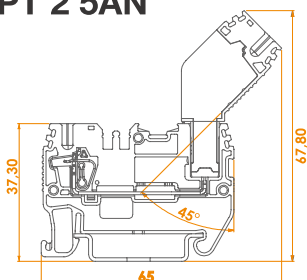
SC-PT 2,5



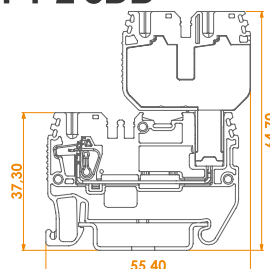
SC-PTS 2,5



SC_PT 2 5AN



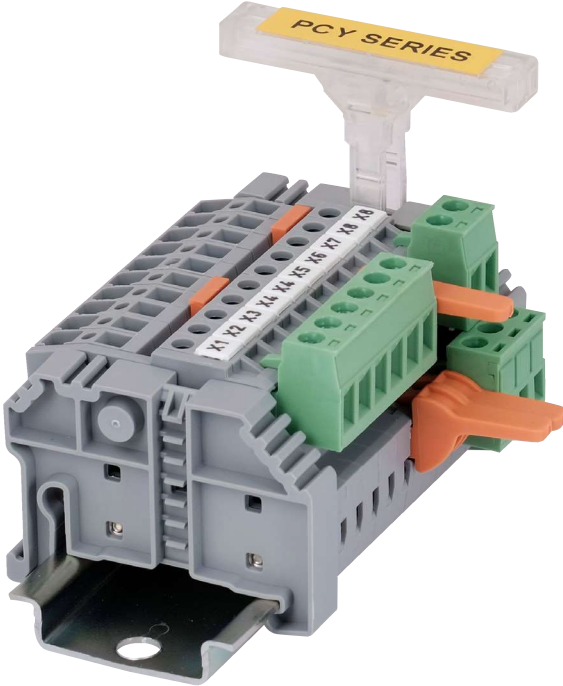
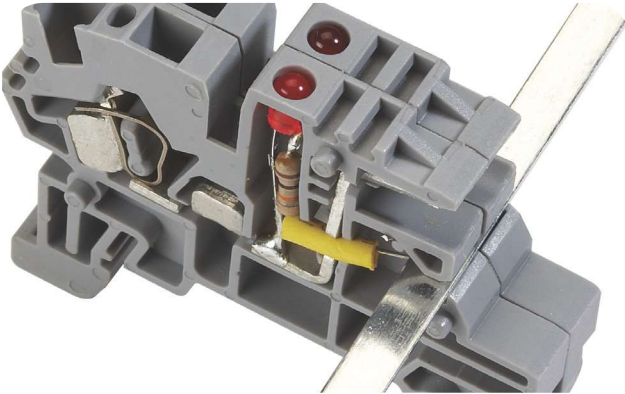
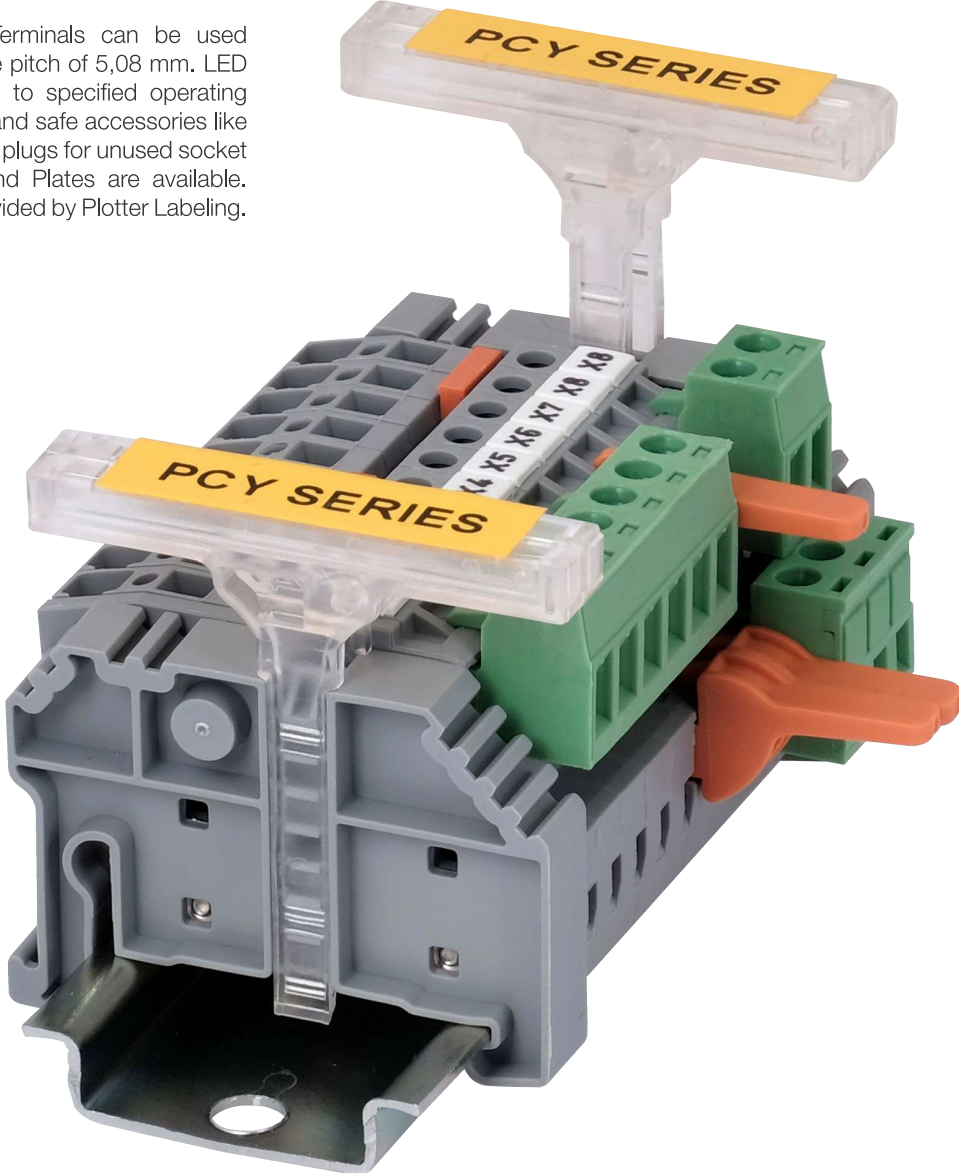
SG_PT 2 5DB



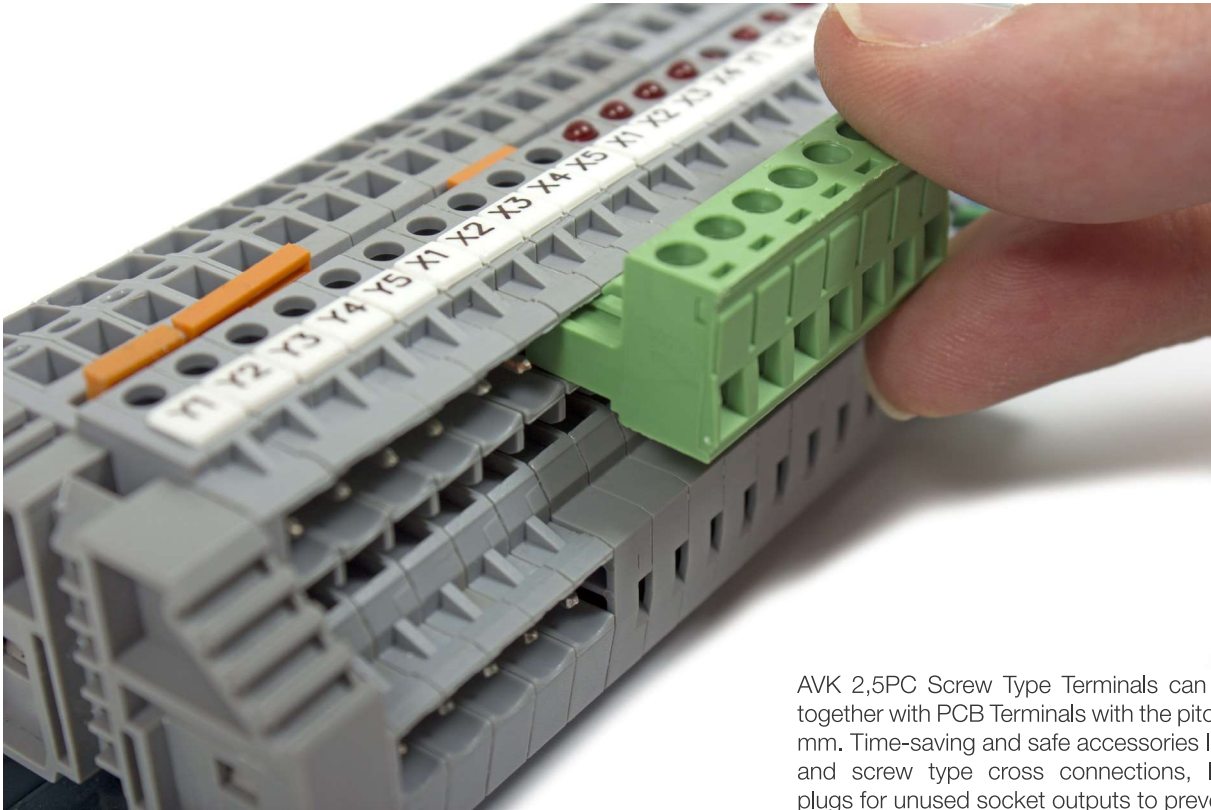
* All dimensions shown are in millimeters.

PCY Series Terminals

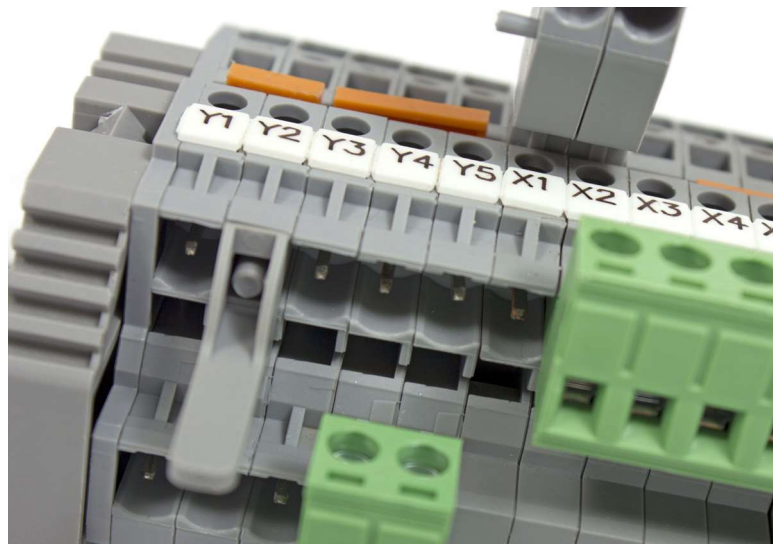
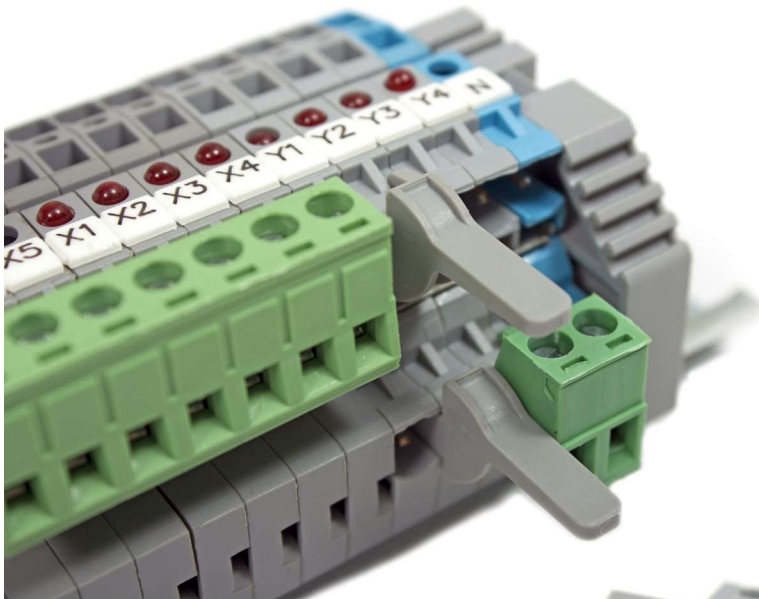
PCY Series Spring Clamp Type Terminals can be used together with PCB Terminals with the pitch of 5,08 mm. LED terminal can be selected according to specified operating voltage of the product. Time-saving and safe accessories like push-in cross connections, Insulation plugs for unused socket outputs to prevent finger touch, End Plates are available. Special Marking solutions can be provided by Plotter Labeling.



AVK 2,5 PC Series Terminals



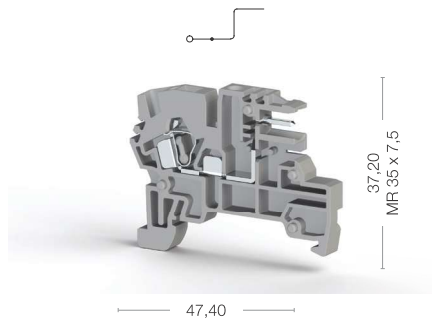
AVK 2,5PC Screw Type Terminals can be used together with PCB Terminals with the pitch of 5,08 mm. Time-saving and safe accessories like comb and screw type cross connections, Insulation plugs for unused socket outputs to prevent finger touch, End Plates are available. Special Marking solutions can be provided by Plotter Labeling.



PCY Type Terminals for PCB Connection

PCY 2,5

Width: 5,05 mm

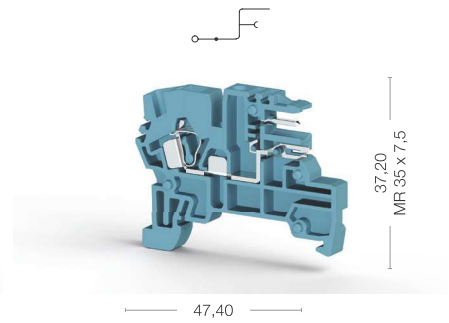


Cat No:

364 019
364 010

PCY 2,5 N

Width: 5,05 mm



Cat No:

364 080



Electrical Ratings
CE (EN 60947-7-1)
UL
VDE (IEC 60947-7-1)
CSA
ATEX

Voltage, V ~	Current, A	Cross-Section
250	10	2,5 mm ²
300	10	AWG 22-12

Voltage, V ~	Current, A	Cross-Section
250	10	2,5 mm ²
300	10	AWG 22-12

Connection Data
Conductor cross section solid (min.-max.)
Conductor cross section stranded (min.-max.)
2 conductors with same cross section, stranded, TWIN ferrules with plastic sleeve
AWG Conductor
Insulation Stripping Length (min.-max.)
Screwdriver

0,08-4 mm ²
0,08-2,5 mm ²
0,5 mm ²
AWG 28-12
9-10 mm
KT 2 (0,5x3,0)

0,08-4 mm ²
0,08-2,5 mm ²
0,5 mm ²
AWG 28-12
9-10 mm
KT 2 (0,5x3,0)

Ordering Data

End Plate


Type	Cat.No.	Qty.
NPP/PCY 2,5	450 199	100

Type	Cat.No.	Qty.
NPP/PCY 2,5 N	450 191	100

Isolation Cover

Grey
Beige
Orange

Type	Cat.No.	Qty.
PCY IT	423 099	50
PCY IT	423 090	50
PCY IT	423 097	50

Type	Cat.No.	Qty.
PCY IT	423 099	50
PCY IT	423 090	50
PCY IT	423 097	50

Push-in Cross Connection


Type	Cat.No.	Qty.
UK 2,5/2	476 222	25
UK 2,5/3	476 223	20
UK 2,5/4	476 224	15
UK 2,5/10	476 229	5

Type	Cat.No.	Qty.
UK 2,5/2	476 222	25
UK 2,5/3	476 223	20
UK 2,5/4	476 224	15
UK 2,5/10	476 229	5

Neutral Bus Bar


Type	Cat.No.	Qty.
PCY NS	525 400	25

Technical Data
Rated Impulse Voltage / Pollution severity
Insulation material group / Gauge pin code according to IEC 60947-1
Protection class / Protection conductor type

4/3
1/A3
IP 20 / -

4/3
1/A3
IP 20 / -

Marking Tags (Dekafix)
See pages 326-333 for a list of Dekafix

D-NS 5x6, DB 5, DG 6/5

D-NS 5x6, DB 5, DG 6/5

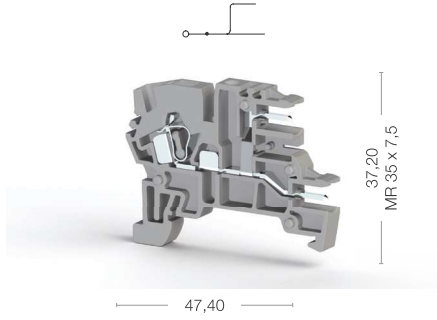
Package Quantity

100 pcs.

100 pcs.

PCY 2,5 E

Width: 5,05 mm



Cat No:

- 364 059
- 364 050

Voltage, V ~	Current, A	Cross-Section
250	10	2,5 mm ²
300	10	AWG 22-12

0,08-4 mm ²
0,08-2,5 mm ²
0,5 mm ²
AWG 28-12
9-10 mm
KT 2 (0,5x3,0)

Type	Cat.No.	Qty.
PCY 2,5 L (24V DC)	364 029	50
PCY 2,5 L (110V DC)	364 033	50
PCY 2,5 L (220V DC)	364 035	50

Type	Cat.No.	Qty.
NPP/PCY 2,5	450 199	100

Type	Cat.No.	Qty.
PCY IT	423 099	50
PCY IT	423 090	50
PCY IT	423 097	50

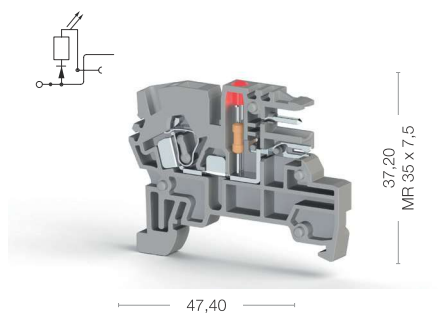
Type	Cat.No.	Qty.
UK 2,5/2	476 222	25
UK 2,5/3	476 223	20
UK 2,5/4	476 224	15
UK 2,5/10	476 229	5

4/3
1/A3
IP 20 / -
D-NS 5x6, DB 5, DG 6/5

100 pcs.

PCY 2,5 L

Width: 5,05 mm



Cat No:

- 364 029
- 364 020

Voltage, V ~	Current, A	Cross-Section
	10	2,5 mm ²
	10	AWG 22-12

0,08-4 mm ²
0,08-2,5 mm ²
0,5 mm ²
AWG 28-12
9-10 mm
KT 2 (0,5x3,0)

Type	Cat.No.	Qty.
PCY 2,5 L (24V DC)	364 029	50
PCY 2,5 L (110V DC)	364 033	50
PCY 2,5 L (220V DC)	364 035	50

Type	Cat.No.	Qty.
NPP/PCY 2,5	450 199	100

Type	Cat.No.	Qty.
PCY IT	423 099	50
PCY IT	423 090	50
PCY IT	423 097	50

Type	Cat.No.	Qty.
UK 2,5/2	476 222	25
UK 2,5/3	476 223	20
UK 2,5/4	476 224	15
UK 2,5/10	476 229	5

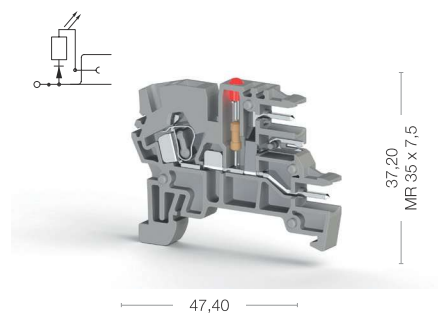
Type	Cat.No.	Qty.
PCY NS	525 400	25

4/3
1/A3
IP 20 / -
D-NS 5x6, DB 5, DG 6/5

50 pcs.

PCY 2,5 EL

Width: 5,05 mm



Cat No:

- 364 069
- 364 060

Voltage, V ~	Current, A	Cross-Section
	10	2,5 mm ²
	10	AWG 22-12

0,08-4 mm ²
0,08-2,5 mm ²
0,5 mm ²
AWG 28-12
9-10 mm
KT 2 (0,5x3,0)

Type	Cat.No.	Qty.
PCY 2,5 EL (24V DC)	364 069	50
PCY 2,5 EL (110V DC)	364 073	50
PCY 2,5 EL (220V DC)	364 075	50

Type	Cat.No.	Qty.
NPP/PCY 2,5	450 199	100

Type	Cat.No.	Qty.
PCY IT	423 099	50
PCY IT	423 090	50
PCY IT	423 097	50

Type	Cat.No.	Qty.
UK 2,5/2	476 222	25
UK 2,5/3	476 223	20
UK 2,5/4	476 224	15
UK 2,5/10	476 229	5

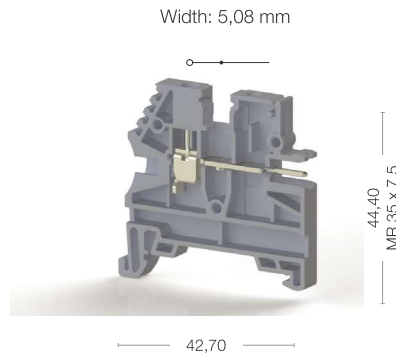
Type	Cat.No.	Qty.
PCY NS	525 400	25

4/3
1/A3
IP 20 / -
D-NS 5x6, DB 5, DG 6/5

50 pcs.

Screw Type Terminal Blocks for PCB Connection

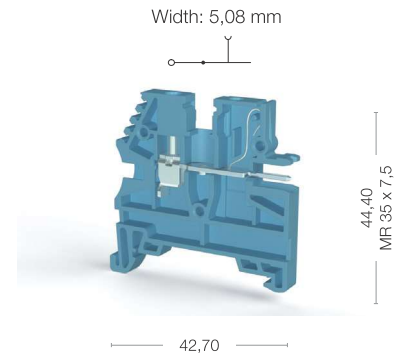
AVK 2,5 PC



Cat No:

364 610
364 609

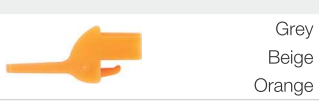



AVK 2,5 PCN



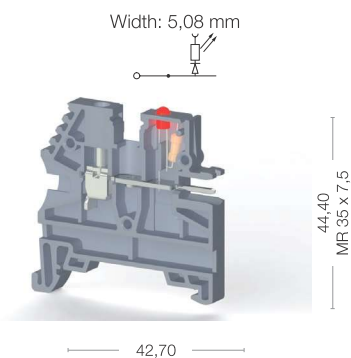
Cat No:

304 621



Electrical Ratings	Voltage, V ~	Current, A	Cross-Section	Voltage, V ~	Current, A	Cross-Section
CE (EN 60947-7-1)	250	12	2,5 mm ²	250	12	2,5 mm ²
UL						
VDE (IEC 60947-7-1)						
CSA						
ATEX						
Connection Data						
Conductor cross section solid (min.-max.)	0,2-4 mm ²			0,2-4 mm ²		
Conductor cross section stranded (min.-max.)	0,2-4 mm ²			0,2-4 mm ²		
2 conductors with same cross section, stranded, TWIN ferrules with plastic sleeve	0,5-1,5 mm ²			0,5-1,5 mm ²		
AWG Conductor	AWG 24-12			AWG 24-12		
Insulation Stripping Length (min.-max.)	9-10 mm			9-10 mm		
Screwdriver	IKT 3 (0,6x3,5)			IKT 3 (0,6x3,5)		
End Plate	Type	Cat.No.	Qty.	Type	Cat.No.	Qty.
	NPP/AVK 2,5-10	444 120	100	NPP/AVK 2,5-10	444 120	100
Insulation Cover	Type	Cat.No.	Qty.	Type	Cat.No.	Qty.
	PCY IT	423 099	50	PCY IT	423 099	50
	PCY IT	423 090	50	PCY IT	423 090	50
	PCY IT	423 097	50	PCY IT	423 097	50
Cross Connection	Type	Cat.No.	Qty.	Type	Cat.No.	Qty.
	UK 2,5/2	474 122	25	UK 2,5/2	474 122	25
	UK 2,5/3	474 123	20	UK 2,5/3	474 123	20
	UK 2,5/4	474 124	15	UK 2,5/4	474 124	15
	UK 2,5/10	474 129	5	UK 2,5/10	474 129	5
	UK 2,5/50	474 210	20	UK 2,5/50	474 210	20
Comb Connector	Type	Cat.No.	Qty.	Type	Cat.No.	Qty.
	TKO 2,5/2	476 262	25	TKO 2,5/2	476 262	25
	TKO 2,5/3	476 263	20	TKO 2,5/3	476 263	20
	TKO 2,5/4	476 264	15	TKO 2,5/4	476 264	15
	TKO 2,5/10	476 269	5	TKO 2,5/10	476 269	5
Neutral Busbar	Type	Cat.No.	Qty.	Type	Cat.No.	Qty.
	PCY NS	525 400	25	PCY NS	525 400	25
Technical Data						
Rated Impulse Voltage / Pollution severity	4/3			4/3		
Insulation material group / Gauge pin code according to IEC 60947-1	1/A3			1/A3		
Protection class / Protection conductor type	IP 20 / -			IP 20 / -		
Marking Tags (Dekafix)						
See pages 326-333 for a list of Dekafix	D-NS 5x10, DB 10/5, DG 10/5, DG 10/5T			D-NS 5x10, DB 10/5, DG 10/5, DG 10/5T		
Package Quantity	100 pcs.			100 pcs.		

AVK 2,5 PCLD/24VDC



Cat No:

- 304 630
- 304 639

Voltage, V ~	Current, A	Cross-Section
24	12	2,5 mm ²

0,2-4 mm ²
0,2-4 mm ²
0,5-1,5 mm ²
AWG 24-12
9-10 mm
IKT 3 (0,6x3,5)

Type	Cat.No.	Qty.
NPP/AVK 2,5-10	444 120	100

Type	Cat.No.	Qty.
PCY IT	423 099	50
PCY IT	423 090	50
PCY IT	423 097	50

Type	Cat.No.	Qty.
UK 2,5/2	474 122	25
UK 2,5/3	474 123	20
UK 2,5/4	474 124	15
UK 2,5/10	474 129	5
UK 2,5/50	474 210	20

Type	Cat.No.	Qty.
TKO 2,5/2	476 262	25
TKO 2,5/3	476 263	20
TKO 2,5/4	476 264	15
TKO 2,5/10	476 269	5

Type	Cat.No.	Qty.
PCY NS	525 400	25

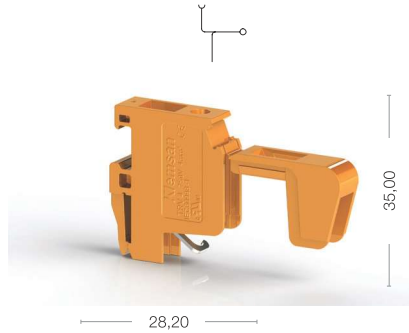
4/3
1/A3
IP 20 / -
D-NS 5x10, DB 10/5, DG 10/5, DG 10/5T

100 pcs.

Transformer Terminals Blocks

TRV 4

Width: 7,5 mm

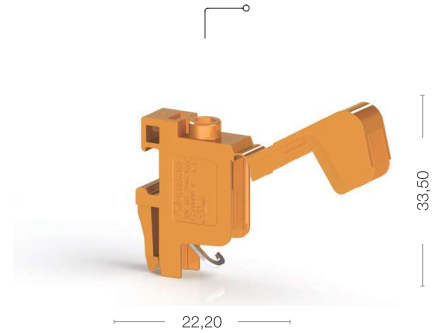


Cat No:

422 017

TRV 4 B

Width: 7,5 mm



Cat No:

422 057



Electrical Ratings	Voltage, V ~	Current, A	Cross-Section	Voltage, V ~	Current, A	Cross-Section
CE (EN 60947-7-1 - EN 60947-7-2)	750	25	4 mm ²	750	25	4 mm ²
UL	600	20	AWG 26-10	600	20	AWG 26-10
VDE (IEC 60947-7-1)						
CSA						
ATEX						
Connection Data						
Conductor cross section solid (min.-max.)	0,2-6 mm ²		0,2-6 mm ²		0,2-6 mm ²	
Conductor cross section stranded (min.-max.)	0,2-6 mm ²		0,2-6 mm ²		0,2-6 mm ²	
2 conductors with same cross section, stranded, TWIN ferrules with plastic sleeve, (min.-max.)	0,5-2,5 mm ²		0,5-2,5 mm ²		0,5-2,5 mm ²	
AWG Conductor	AWG 24-10		AWG 24-10		AWG 24-10	
Insulation Stripping Length (min.-max.)	9-10 mm		9-10 mm		9-10 mm	
Torque (min.-max.)	0,5-0,8 Nm		0,5-0,8 Nm		0,5-0,8 Nm	
Screwdriver	IKT 3 (0,6x3,5)		IKT 3 (0,6x3,5)		IKT 3 (0,6x3,5)	
Technical Data						
Rated Impulse Voltage / Pollution severity	8/3		8/3		8/3	
Insulation material group / Gauge pin code according to IEC 60947-1	1/B4		1/A4		1/A4	
Protection class / Protection conductor type	IP 20 / -		IP 20 / -		IP 20 / -	
Marking Tags (Dekafix)						
See pages 326-333 for a list of Dekafix	DB 7,5x4,5, DG 7/5		DB 7,5x4,5, DG 7/5		DB 7,5x4,5, DG 7/5	
Package Quantity	50 pcs.		50 pcs.		50 pcs.	

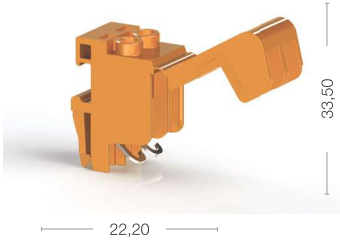
Color

Color code is the last digit of the order number

Grey	Green- Yellow	Orange	Beige
304 119	60	17	10

TRV 4 M

Width: 15 mm

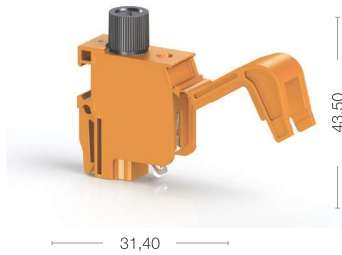


Cat No:

422 047

TRV 4 S

Width: 12,50 mm

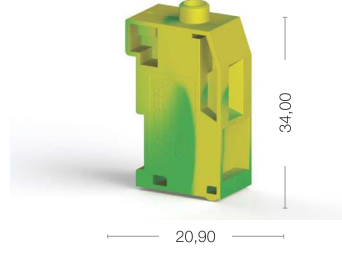


Cat No:

422 027

TRV 4 T

Width: 12 mm

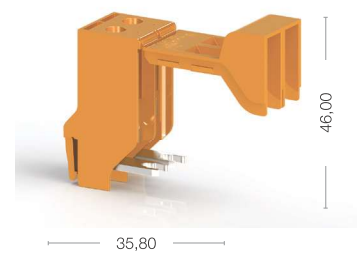


Cat No:

422 060

TRV 10

Width: 22 mm



Cat No:

422 037

Voltage, V ~	Current, A	Cross-Section
750	25	4 mm ²
600	20	AWG 26-10

0,2-6 mm ²
0,2-6 mm ²
0,5-2,5 mm ²
AWG 24-10
9-10 mm
0,5-0,8 Nm
IKT 3 (0,6x3,5)

8/3
1/B4
IP 20 / -
DB 7,5x4,5, DG 7/5

50 pcs.

Voltage, V ~	Current, A	Cross-Section
500	10	4 mm ²
300	10	AWG 26-10

0,2-6 mm ²
0,2-6 mm ²
0,5-2,5 mm ²
AWG 24-10
9-10 mm
0,5-0,8 Nm
IKT 3 (0,6x3,5)

8/3
1/B4
IP 20 / -
D-NS 5x6, DB 5, DB 7,5x4,5, DG 6/5

50 pcs.

Voltage, V ~	Current, A	Cross-Section
		4 mm ²
		AWG 26-10

0,2-6 mm ²
0,2-6 mm ²
0,5-2,5 mm ²
AWG 24-10
9-10 mm
0,5-0,8 Nm
IKT 3 (0,6x3,5)

8/3
1/B4
IP 20 / -
DB 7,5x4,5, DG 7/5

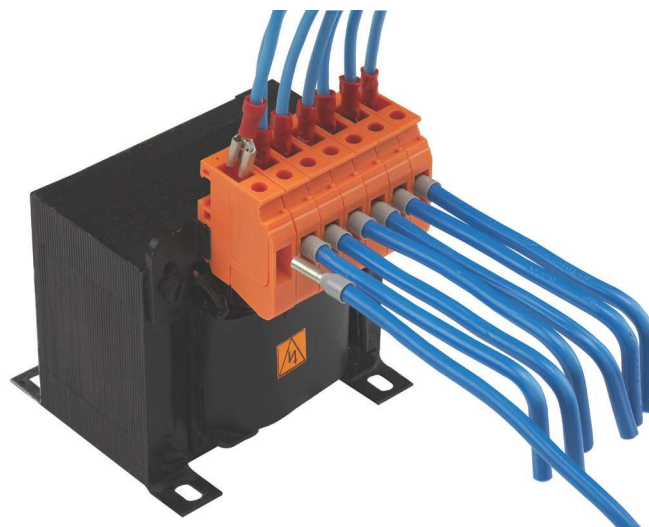
50 pcs.

Voltage, V ~	Current, A	Cross-Section
750	63	10 mm ²
600	55	AWG 16-6

0,5-16 mm ²
0,5-16 mm ²
0,5-6 mm ²
AWG 20-6
11-12 mm
1,2-1,8 Nm
IKT 4 (0,8x40)

8/3
1/B6
IP 20 / -
DB 7,5x4,5, DG 7/5

25 pcs.



Color			
Color code is the last digit of the order number			
Grey	Green- Yellow	Orange	Beige
304 119	60	17	10

Terminals Strips

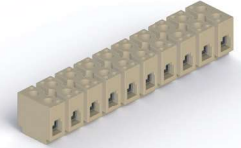
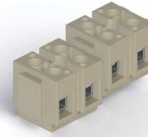
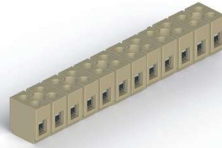
- The product in the figure is the new psk 1/2 terminal strip.
- For allowing marking, label slots are designed according to DB 5 and DG 6/5 Marking Tags (Dekafix)
- Assembly of the terminal should be made with maximum 3 mm Width screw.

PSK 1/2
420 020

PSK 1/12
420 120

PSK 2/2
421 020

PSK 2/10
421 100



Electrical Ratings	Voltage / Current / Cross-Section	Voltage / Current / Cross-Section	Voltage / Current / Cross-Section	Voltage / Current / Cross-Section
TSE (EN 60998-2-1)	400 V ~ / 24 A / 2,5 mm ²	400 V ~ / 24 A / 2,5 mm ²	660 V ~ / 41 A / 6 mm ²	660 V ~ / 41 A / 6 mm ²
Insulation Stripping Length (min.-max.)	5 mm	5 mm	9 mm	9 mm
Torque	0,4 - 0,6 Nm	0,4 - 0,6 Nm	0,5 - 0,8 Nm	0,5 - 0,8 Nm
Qty.	100	100	100	20
Screwdriver	IKT3 (0,6x3,5)			

Junction Box Terminals

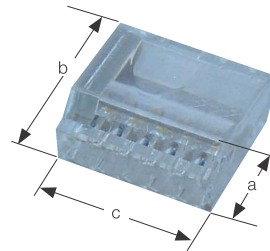
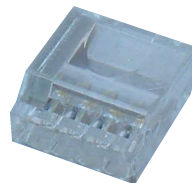
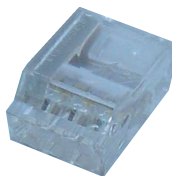
- Suitable for 1,5 - 2,5 mm² solid strand cables
- Cage clamp connection
- One-point test
- Disassembling by turning the cable left

BUK 2,5/3
425 235

BUK 2,5/4
425 245

BUK 2,5/5
425 255

BUK 4/3
425 350



Electrical Ratings	Voltage / Current / Cross-Section	Voltage / Current / Cross-Section	Voltage / Current / Cross-Section	Voltage / Current / Cross-Section
IEC 60998-1, IEC 60998-2-1 (VDE)	450 V ~ / 24 A / 2,5 mm ²	450 V ~ / 24 A / 2,5 mm ²	450 V ~ / 24 A / 2,5 mm ²	450 V ~ / 32 A / 4 mm ²
Connection Data				
Solid Strand	1,0 - 2,5 mm ²	1,0 - 2,5 mm ²	1,0 - 2,5 mm ²	0,5 - 4 mm ²
Insulation Stripping Length (min.-max.)	7 mm	7 mm	7 mm	11 mm
AWG Conductor	22 ... 12	22 ... 12	22 ... 12	22...16
Dimensions				
a	9,4	9,4	9,4	10
b	19,4	19,4	19,4	19,2
c	13,8	17,6	21,1	19,1
Qty.	100	100	100	50

Terminal Strips

SK 1

■ 430 002
□ 431 002

SK 2

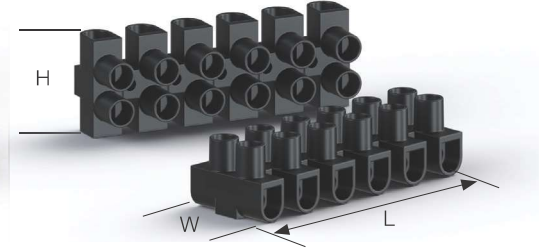
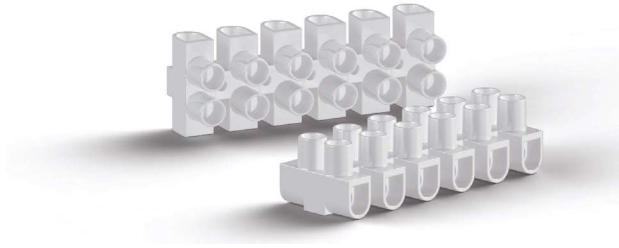
■ 430 012
□ 431 012

SK 3

■ 430 022
□ 431 022

SK 4

■ 430 032
□ 431 032



Electrical Ratings	Voltage / Current / Cross-Section	Voltage / Current / Cross-Section	Voltage / Current / Cross-Section	Voltage / Current / Cross-Section
IEC 60998-1, IEC 60998-2 (VDE)	450 V ~ / 32 A / 2,5 mm ²	450 V ~ / 41 A / 4 mm ²	450 V ~ / 57 A / 6 mm ²	450 V ~ / 76 A / 16 mm ²
UL	300 V ~ / 20 A / AWG 22 - 10	300 V ~ / 30 A / AWG 22 - 10	300 V ~ / 50 A / AWG 14 - 8	300 V ~ / 55 A / AWG 10 - 6
Torque	0,4 Nm	0,5 Nm	0,8 Nm	1,1 Nm
Connection Data				
Solid Strand, Screw Connection	0,75 - 4 mm ²	0,75 - 6 mm ²	1,5 - 6 mm ²	6 - 16 mm ²
Fine Strand, Screw Connection	0,5 - 2,5 mm ²	0,5 - 4 mm ²	1,5 - 6 mm ²	6 - 10 mm ²
Insulation Stripping Length / Torque	7 mm	8 mm	10 mm	10 mm
AWG Conductor	22...12	22...10	14...8	10...6
Dimensions				
L	95	116	135	175
W	16	19	22,5	25
H	12,8	15	17,65	21
Qty.				
Black (With Screw Blockage, Passivated)	50	50	50	50
Naturel (With Screw Blockage, Ni Coated)	50	50	50	50

Clamping Yokes and Accessories



Electrical Ratings						
Cross-Section	1,5 - 6 mm ²	6 - 35 mm ²	6 - 35 mm ²	6 - 35 mm ²	6 - 35 mm ²	
Busbars Used	25 x 3 mm	30 x 5 mm	40 x 5 mm	40 x 10 mm	30 x 10 mm	
Torque	1,5 Nm	1,5 Nm	1,5 Nm	1,5 Nm	1,5 Nm	
Qty						
	100	100	100	100	100	
Connection Data						
Insulation Stripping Length (min.-max.)	19 mm	21 mm	26 mm	26 mm	21 mm	
AWG Conductor	14 ... 8	8 ... 1	8 ... 1	8 ... 1	8 ... 1	
Dimensions						
	a	21,8	25,7	26,5	32,0	28,5
	b	39,7	44,0	54,0	54,0	44,0
	c	10,5	13,0	13,0	13,0	13,0

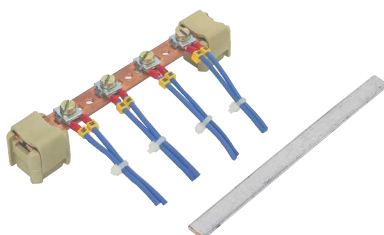
BIK and SBK type terminals are produced suitable for various busbar sizes. It is possible to transfer energy practically without drilling the busbars. SBK type is more advantageous than BIK type in sense of cable connection ability by connecting terminal on busbar optionally.



Electrical Ratings							
Cross-Section	1,5 - 16 mm ²	1,5 - 16 mm ²	16 - 35 mm ²	16 - 35 mm ²	25 - 50 mm ²	25 - 50 mm ²	
Busbars Used	... x 5 mm	... x 10 mm	... x 5 mm	... x 10 mm	... x 5 mm	... x 10 mm	
Torque	4 Nm	4 Nm	6 Nm	6 Nm	8 Nm	8 Nm	
Qty.							
	100	100	25	25	25	25	
Connection Data							
Insulation Stripping Length	22 mm	22 mm	30 mm	30 mm	36 mm	36 mm	
AWG Conductor	14 ... 6	14 ... 6	10 ... 2	10 ... 2	6 ... 10	6 ... 10	
Dimensions							
	a	25,0	29,3	31,0	36,0	41,0	46,0
	b	21,5	21,5	29,0	29,0	35,0	35,0
	c	11,7	11,7	16,3	16,3	17,5	17,0

Busbars

KUB 1 - 2



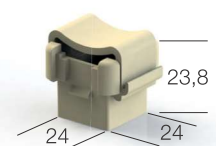
KUB 3

Single strand screw connection :
0,5 2,5 mm
Insulation Stripping Length : 9 mm



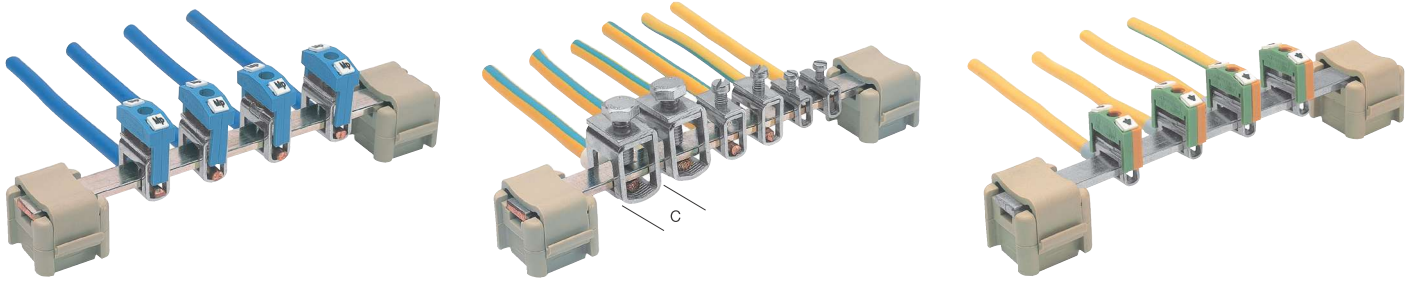
Type	Cat. No.	Current (A)	Material	Dimensions (mm)	Qty.
KUB 1	525 100	80	E - Cu	15 x 2	1 m
KUB 1/2	525 101	80	E - Cu	15 x 2	50 cm
KUB 2	525 200	140	E - Cu	15 x 3	1 m
KUB 2/2	525 201	140	E - Cu	15 x 3	50 cm
KUB 3	525 300	140	E - Cu	10 x 3	1 m
KUB 3/3	525 350	140	Tin Coated E - Cu	10 x 3	1 m
KUB 4	525 320	140	Tin Plated - Copper	12 x 3	1 m
KUB 4	525 310	140	Copper	12 x 3	1 m

BM 528 110



Dimensions	Material	Qty.
15 x 2	PA 6,6	50
15 x 3		
12 x 3		
10 x 3		

Clamping Yokes and Accessories

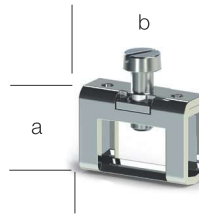


The clamping yokes can be slid onto the 10 x 3 busbar up to 50 mm² and the entire wiring matched to the installation.

BK 4
525 361

BK 10
525 362

BK 35
525 363



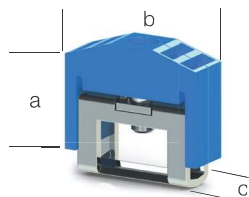
Electrical Ratings			
Cross-Section	4 mm ²	10 mm ²	35 mm ²
Insulation Stripping Length (min.-max.)	16 mm	19 mm	19 mm
Fixing Screw	M 3	M 4	M 6
Busbar Dimensions	10 x 3	10 x 3	10 x 3
Torque	0,5 Nm	1,2 Nm	2,8 Nm
Qty.	200	100	50
Connection Data			
Solid Strand	0,5 ... 6 mm ²	1,5 ... 10 mm ²	16 ... 50 mm ²
Fine Strand,	0,5 ... 4 mm ²	2,5 ... 10 mm ²	16 ... 35 mm ²
AWG Conductor	20 ... 10	14 ... 6	4 ... 1
Dimensions			
	a	11,3	17,2
	b	15,6	15,6
	c	5,5	8,7

IBK type clamping yokes are designed with blue insulation Widths in order to indicate connection to the N-Lead. They Terminals can be used with DB 5 marking tag.

IBK 4
525 371

IBK 10
525 372

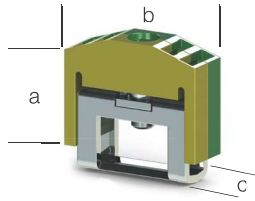
IBK 35
525 373



Electrical Ratings			
Cross-Section	4 mm ²	10 mm ²	35 mm ²
Insulation Stripping Length (min.-max.)	16 mm	19 mm	19 mm
Fixing Screw	M 3	M 4	M 6
Busbar Dimensions	10 x 3	10 x 3	10 x 3
Isolation Width	Blue	Blue	Blue
Torque	0,5 Nm	1,2 Nm	2,8 Nm
Qty.	100	100	50
Connection Data			
Solid Strand	0,5 ... 6 mm ²	1,5 ... 10 mm ²	16 ... 50 mm ²
Fine Strand,	0,5 ... 4 mm ²	2,5 ... 10 mm ²	16 ... 35 mm ²
AWG Conductor	20 ... 10	14 ... 6	4 ... 1
Dimensions			
	a	14,1	19,9
	b	18,8	18,8
	c	6,4	8,5

IBK type clamping yokes are designed with yellow - green insulation Widths to emphasise the protection function. They Terminals can be used with DB 5 marking tag.

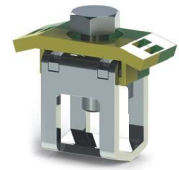
IBK 4
525 381



IBK 10
525 382

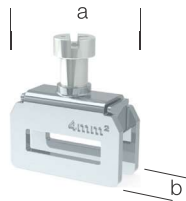


IBK 35
525 383



Electrical Ratings				
Cross-Sec.	4 mm ²	10 mm ²	35 mm ²	
Insulation Stripping Length (min.-max.)	16 mm	19 mm	19 mm	
Fixing Screw	M 3	M 4	M 6	
Busbar Dimensions	10 x 3	10 x 3	10 x 3	
Isolation Width	Yellow-Green	Yellow-Green	Yellow-Green	
Torque	0,5 Nm	1,2 Nm	2,8 Nm	
Qty.				
	100	100	50	
Connection Data				
Solid Strand	0,5 ... 6 mm ²	1,5 ... 10 mm ²	16 ... 50 mm ²	
Fine Strand,	0,5 ... 4 mm ²	2,5 ... 10 mm ²	16 ... 35 mm ²	
AWG Conductor	20 ... 10	14 ... 6	4 ... 1	
Dimensions				
	a	14,1	19,9	8,8
	b	18,8	18,8	31,7
	c	6,4	8,5	14,1

BKN 4
525 410



BKN 16
525 420

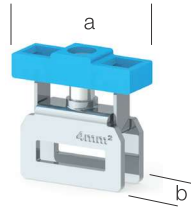


BKN 35
525 430

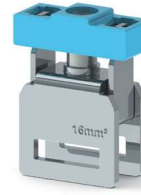


Electrical Ratings				
Cross-Sec.	4 mm ²	16 mm ²	35 mm ²	
Insulation Stripping Length (min.-max.)	16 mm	16 mm	16 mm	
Fixing Screw	M 4	M 5	M 6	
Busbar Dimensions	10 x 3 / 12 x 3	10 x 3 / 12 x 3	10 x 3 / 12 x 3	
Isolation Width	-	-	-	
Torque	1,5 - 1,8 Nm	2,5 - 3 Nm	3,2 - 3,7 Nm	
Qty.				
	50	50	50	
Connection Data				
Solid Strand	0,5 ... 6 mm ²	1,5 ... 16 mm ²	2,5 ... 35 mm ²	
Fine Strand,	0,5 ... 4 mm ²	1,5 ... 16 mm ²	2,5 ... 35 mm ²	
AWG Conductor	20 ... 10	16 ... 6	14 ... 2	
Dimensions				
	a	18	18	18
	b	7	10	14

IBKN 4
525 441



IBKN 16
525 451

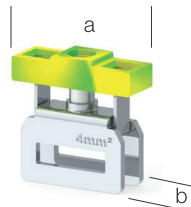


IBKN 35
525 461



Electrical Ratings			
Cross-Sec.	4 mm ²	16 mm ²	35 mm ²
Insulation Stripping Length (min.-max.)	16 mm	16 mm	16 mm
Fixing Screw	M 4	M 5	M 6
Busbar Dimensions	10 x 3 / 12 x 3	10 x 3 / 12 x 3	10 x 3 / 12 x 3
Isolation Width	Blue	Blue	Blue
Torque	1,5 - 1,8 Nm	2,5 - 3 Nm	3,2 - 3,7 Nm
Qty.			
	50	50	50
Connection Data			
Solid Strand	0,5 ... 6 mm ²	1,5 ... 16 mm ²	2,5 ... 35 mm ²
Fine Strand,	0,5 ... 4 mm ²	1,5 ... 16 mm ²	2,5 ... 35 mm ²
AWG Conductor	20 ... 10	16 ... 6	14 ... 2
Dimensions			
	a	18	18
	b	7	14

IBKN 4
525 442T



IBKN 16
525 452T



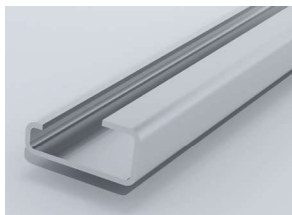
IBKN 35
525 462T



Electrical Ratings			
Cross-Sec.	4 mm ²	16 mm ²	35 mm ²
Insulation Stripping Length (min.-max.)	16 mm	16 mm	16 mm
Fixing Screw	M 4	M 5	M 6
Busbar Dimensions	10 x 3 / 12 x 3	10 x 3 / 12 x 3	10 x 3 / 12 x 3
Isolation Width	Yellow-Green	Yellow-Green	Yellow-Green
Torque	1,5 - 1,8 Nm	2,5 - 3 Nm	3,2 - 3,7 Nm
Qty.			
	50	50	50
Connection Data			
Solid Strand	0,5 ... 6 mm ²	1,5 ... 16 mm ²	2,5 ... 35 mm ²
Fine Strand,	0,5 ... 4 mm ²	1,5 ... 16 mm ²	2,5 ... 35 mm ²
AWG Conductor	20 ... 10	16 ... 6	14 ... 2
Dimensions			
	a	18	18
	b	7	14

DIN Rails

MR 32



MR 35 x 7,5



MR 35 x 7,5

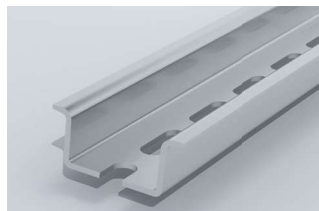


General Features				
Cat. No.	500 101	500 601	500 602	500 602E
Unit Length (m)	1	1	1	1
Description	Non-Slotted Zinc Coated Steel	Non-Slotted Zinc Coated Steel	Slotted Zinc Coated Steel	Slotted Galvanised Steel Sheet
Qty. (pcs.)	10	20	20	20
Cat. No.		500 603	500 604	500 604E
Unit Length (m)		2	2	2
Description		Non-Slotted Zinc Coated Steel	Non-Slotted Zinc Coated Steel	Slotted Galvanised Steel Sheet
Qty. (pcs.)		20	20	20
Cat. No.		500 605		
Unit Length (m)		0,3		
Description		Non-Slotted		
Qty. (pcs.)		20		

MR 35 x 15



MR 35 x 15



MR 15 x 5,5



MR 15 x 5,5



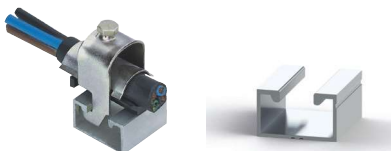
500 606	500 607	500 610	500 611
1	1	1	1
Non-Slotted / Zinc Coated Steel	Slotted / Zinc Coated Steel	Non-Slotted / Zinc Coated Steel	Slotted / Zinc Coated Steel
10	10	20	20
500 608	500 609	500 612	500 613
2	2	2	2
Non-Slotted / Zinc Coated Steel	Slotted / Zinc Coated Steel	Non-Slotted / Zinc Coated Steel	Slotted / Zinc Coated Steel
10	10	20	20

Cable Clamps



Cat. No.	Product	Max. Cable Tie Width (mm)	Dimensions (mm)	Qty.
510 110	K 1	8 - 12	19x51	25
510 120	K 2	11 - 18	22,5x50	25
510 130	K 3	12 - 23	28,5x55	25

Cable Clamp Rail



Cat. No.	Product	Dimensions (mm)	Qty.
510 500	KR 1	20x35	1

Rail Cutting Tool

Cat. No.	Product	Cutting Thickness	Cutting Capacity	Length Adjustment	Qty.
500 650	KRK M	1,5 mm	7.5x35 mm 15x35 mm Tij Ø8mm	100 cm	1



DIN Rail Support



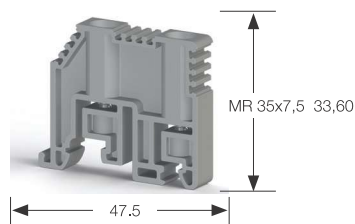
RT

General Features	
Cat. No.	501 101
Qty.	25

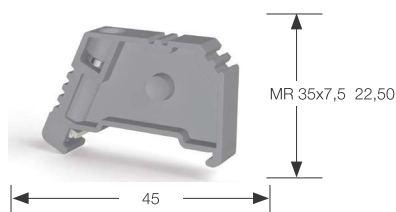
- 3 different cutting slots
- Clean Cut
- Lossless cutting
- Non-blunting knife
- Length adjustment guide

End Brackets

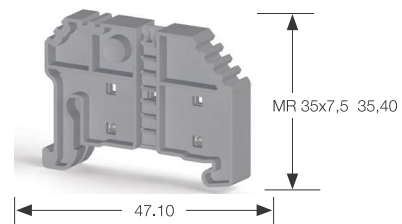
WGD 1



**KD 3
KD 3 /NM**

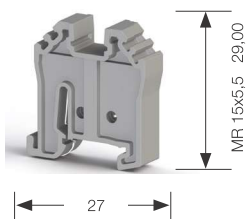


**KD 4
KD 4 / NM**

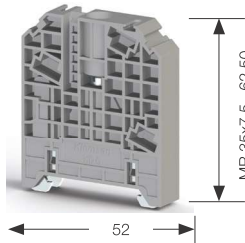


Cat. No.	495 039 - Grey 495 030 - Beige	495 049 - Grey 495 040 - Beige	495 059 - Grey 495 050 - Beige
	Screw-type end bracket mounted on MR32 and MR 35 types of DIN-rail. Can be used together with Screw Connection feed-through one level terminals.	Screw-type end bracket mounted on MR 35 type of DIN-rail. Can be used together with Screw Connection feed-through one level terminals.	Without screw end bracket mounted on MR 35 type of DIN-rail. Can be used together with Spring Clamp and Practical Spring Clamp feed-through terminals.
Qty.	100	100	100
Marker		508 530 SIFX 0615Y (6x15 mm)	508 530 SIFX 0615Y (6x15 mm)

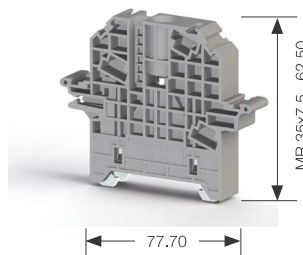
KD 5



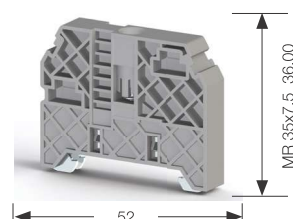
**KD 6
KD 6 / NM**



KD 6A

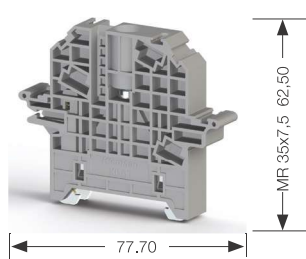


**KD 7
KD 7 / NM**

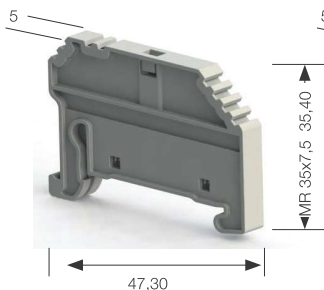


Cat. No.	495 069 - Grey 495 060 - Beige	495 099 - Grey 495 090 - Beige	495 109 - Grey 495 100 - Beige	495 219 - Grey 495 210 - Beige
	Without screw end bracket mounted on MR 15 type of DIN-rail. Can be used together with Mini Screw Connection and Mini Spring Clamp feed-through terminals.	Screw-type end bracket mounted on MR 35 type of DIN-rail. Can be used together with feed-through terminals for big cross-sections.	Screw-type end bracket mounted on MR 35 type of DIN-rail. Can be used together with feed-through terminals for big cross-sections.	Screw type end bracket mounted on MR 35 type of DIN-rail. Can be used together with feed-through terminals for small and middle cross-sections.
Qty.	100	50	50	50

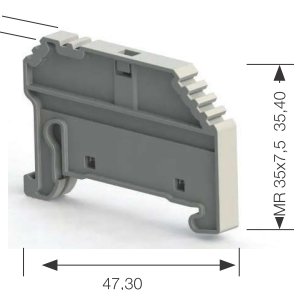
KD 6T



KD 8



KD 8/NM



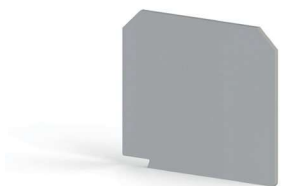
ME4



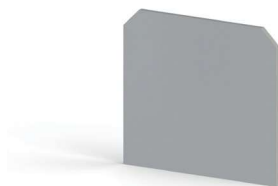
Cat. No.	495 209 - Grey 495 200 - Beige	495 229 - Grey 495 220 - Beige	497 069 - Grey	ME	496 329 - Grey
				ME	496 320 - Beige
	Screw type end bracket mounted on MR 35type of DIN-rail. Can be used together with feed-through terminals for high cross-sections. Provides distribution block with 10x3 mm busbar.	Without screw end bracket mounted on MR 35 type of DIN-rail. Can be used together with feed-through terminals for big cross-sections.	Without screw end bracket mounted on MR 35 type of DIN-rail. Can be used together with feed-through terminals for big cross-sections.	Suitable for KD 8 and KD 8/NM 808 505 KCIP - Y 8x20 808 409 PYE-05 YL 18x8	
Qty.	50	50	50	25	

Seperation Plate

APP/AVK 2,5-10
APP/AVK 2,5-10 / NM



APP/AVK 16
APP/AVK 16 / NM

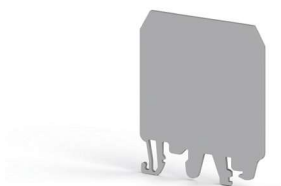


APP/AVK 16RD
APP/AVK 16RD / NM

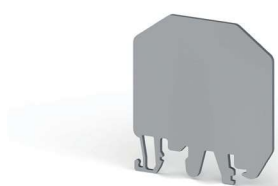


Cat. No.	462 120 - Grey		462 160 - Grey		462 170 - Grey	
	462 129 - Beige		462 169 - Beige		462 179 - Beige	
Technical Data		NM		NM		NM
Insulating material	PA	PA	PA	PA	PA	PA
Inflammability class according to UL 94	V2	V0	V2	V0	V2	V0
Packing unit (pcs.)	25	25	25	25	25	25
Continuous operating temp. max.	120°C	130°C	120°C	130°C	120°C	130°C
Continuous operating temp. min.	-55°C	-60°C	-55°C	-60°C	-55°C	-60°C
Dimensions (mm)						
Width	1,2		1,5		1,5	
Length	42,70		49,40		52,80	
Height	39		45		50,70	

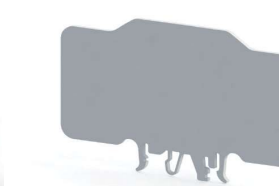
APP/AVK 35RD
APP/AVK 35RD / NM



APP-PB 2,5-6/NM



APP-PB 25/NM



Cat. No.	462 180 - Grey		464 009 - Grey		464 019 - Grey	
	462 189 - Beige		464 000 - Beige		464 010 - Beige	
Technical Data		NM		NM		NM
Insulating material	PA	PA	PA	PA	PA	PA
Inflammability class according to UL 94	V2	V0	V0	V0	V0	V0
Packing unit (pcs.)	10	25	25	25	25	25
Continuous operating temp. max.	120°C	130°C	120°C	130°C	120°C	130°C
Continuous operating temp. min.	-55°C	-60°C	-55°C	-60°C	-55°C	-60°C
Dimensions (mm)						
Width	1,5		1,5		2	
Length	52,80		55,70		109	
Height MR 35x7,5	63,70		59		69,80	
Height MR 35x15	71,20		66,50		77,30	
Height MR 32	68,30		63,60		74,40	

Small Partition

Type	Color	Description	Cat. No.	Qty.
AD 1	Grey	AVK 2,5 - 10	467 919	100
AD 2	Grey	AVK 16 RD / 35 RD	468 059	100
AD 3	Grey	AVK 16 RD / 35 RD	468 059	100

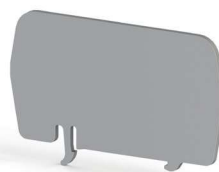


Seperation Plate

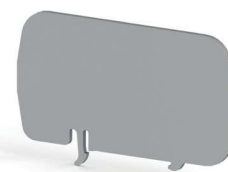
APP/PYK 1,5-2,5-4
APP/PYK 1,5-2,5-4 / NM



APP/PYK 6
APP/PYK 6 / NM

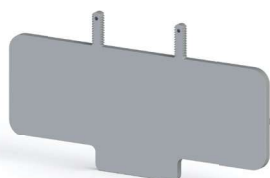


APP/PYK 10
APP/PYK 10 / NM



Cat. No.	463 180 - Grey		463 190 - Grey		463 200 - Grey	
	463 189 - Beige		463 199 - Beige		463 209 - Beige	
Technical Data		NM		NM		NM
Insulating material	PA	PA	PA	PA	PA	PA
Inflammability class according to UL 94	V2	V0	V2	V0	V2	V0
Packing unit (pcs.)	25	25	25	25	25	25
Continuous operating temp. max.	120°C	130°C	120°C	130°C	120°C	130°C
Continuous operating temp. min.	-55°C	-60°C	-55°C	-60°C	-55°C	-60°C
Dimensions (mm)						
Width	2		2		2	
Length	65,50		75,60		85,40	
Height MR 35x7,5	47,20		49,40		54,20	
Height MR 35x15	54,70		56,90		61,70	
Height MR 32	-		-		-	

APP/WGO 5

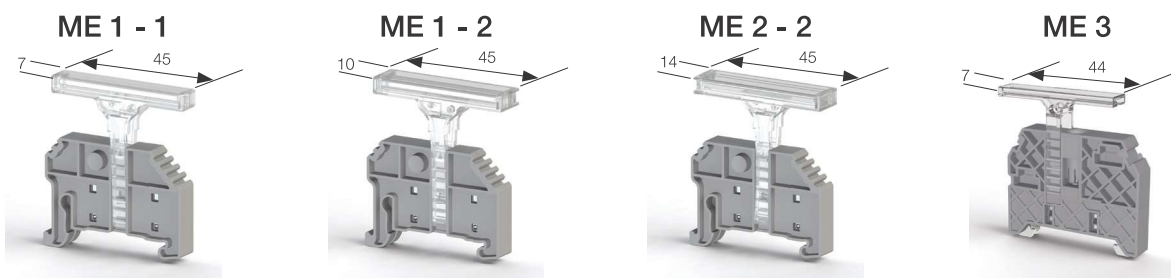


SKK-MR35



Cat. No.	463 219 - Grey		468 069 - Grey	
	463 210 - Beige		468 060 - Beige	
Technical Data				
Insulating material	PA		PA	
Inflammability class according to UL 94	V2		V2	
Packing unit (pcs.)	25		10	
Continuous operating temp. max.	120°C		120°C	
Continuous operating temp. min.	-55°C		-55°C	
Dimensions (mm)				
Width	2,50		2,10	
Length	93,40		75	
Height MR 35x7,5	51,30		85,50	
Height MR 35x15	-		93	
Height MR 32	-		90,10	

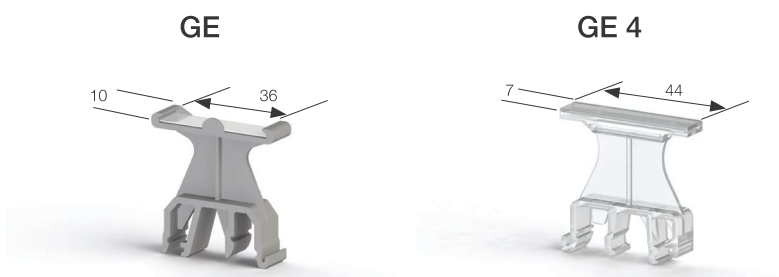
Modular Group Markers



Cat. No.	496 12A - Transparent	496 13A - Transparent	496 14A - Transparent	496 300 - Transparent
Qty.	25	25	25	50
End Stopper	KD 4 - KD 6 - KD 6T	KD 4 - KD 6 - KD 6T	KD 4 - KD 6 - KD 6T	KD 7
Label Klecard	808 500 KCIP-Y 7x44	808 500 KCIP-Y 7x44 808 506 KCIP-Y 9x35	808 500 KCIP-Y 7x44 808 506 KCIP-Y 9x35	808 500 KCIP-Y 7x44
Office Printer Label	508 530 SI FX 0615Y	508 530 SI FX 0615Y	508 530 SI FX 0615Y	508 520 SIT FP 4407Y

ME type modular group markers provide flexible solutions for the marking of terminal blocks. Four different group markers are designed which can be mounted on KD4, KD6, KD6A, KD6T and KD7 type end-brackets. ME3 type group marker can only be used with KD7 end bracket.

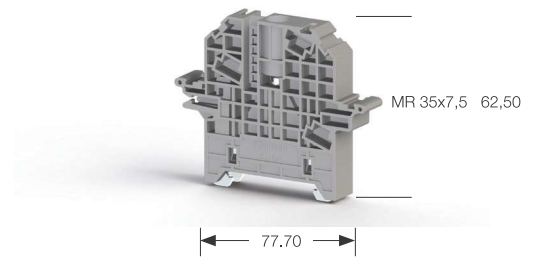
Group Markers



Cat. No.	Product	Description	Marker Cat. No.	Color	Qty.
496 110	GE	Group Marker MR 32/MR 35	808 506 KCIP-Y (9x35 mm)	Beige	50
496 119	GE	Group Marker MR 32/MR 35	808 506 KCIP-Y (9x35 mm)	Grey	50
496 310	GE 4	Group Marker MR 32/MR 35 (Transparent)	508 520 SIT FP 4407 (7x44 mm)	Transparent	50

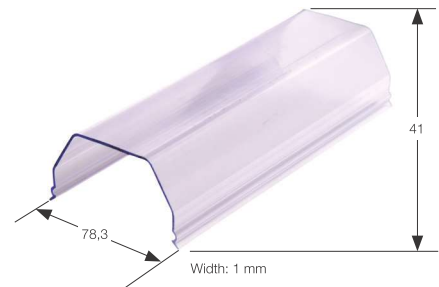
KD 6A

Cat. No.	495 109 - Grey 495 100 - Beige
	Screw-type end bracket mounted on MR 35 type of DIN-rail. Can be used together with feed-through terminals for big cross-sections.
Qty.	50



Cover for KD 6A

Type	Color	Cat. No.	Qty.
Cover for KD 6A	Transparent Cover	498 190	1



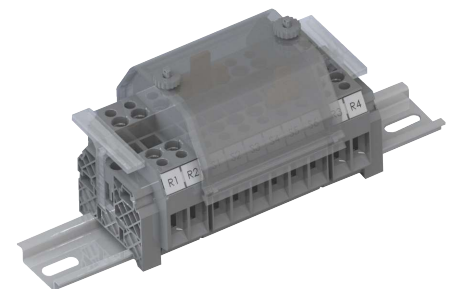
Sealing Pin for KD 6A

Type	Color	Cat. No.	Qty.
KD 6A	Orange Sealing Pin	498 187	100



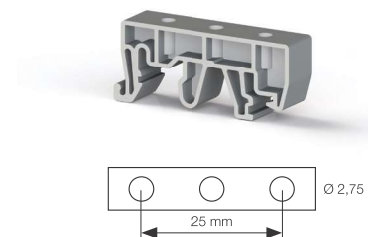
Holding Plate for Cover

Type	Color	Cat. No.	Qty.
SKK - MR 35	Grey	468 069	10
SKK - MR 35	Beige	468 060	10



Rail Adaptor RA 10

Type	Color	Cat. No.	Qty.
RA 10	Grey	498 459	50
RA 10	Beige	498 450	50



DIN Rail Sockets

PAP



PAP - LED



	DIN Rail Socket Earth	DIN Rail Socket LED + Earth
Cat. No.	670 100	670 200
Qty.	1	1
Width / Height / Depth (mm)	41.80 / 74.80 / 49.20	41.80 / 74.80 / 49.20
Voltage / Current / Cross-Section	250 V / 16 A / 6 mm ²	250 V / 16 A / 6 mm ²
Single ve Fine Strand, (mm ²)	0.5 - 10	0.5 - 10
Conductors with ferrules (mm ²)	0.5 - 6	0.5 - 6

PAP - UPS



PAP - UPS + LED



PAP - KK



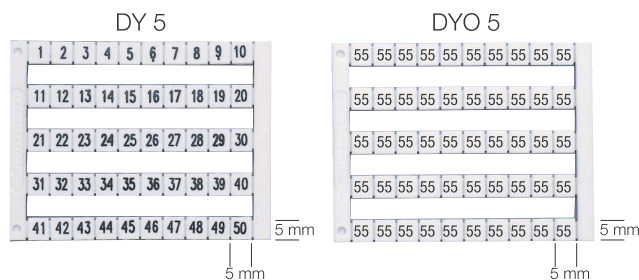
DIN Rail Socket UPS	DIN Rail Socket LED + UPS	DIN Rail Socket Children Protection + Earth
670 300	670 400	670 500
1	1	1
41.80 / 74.80 / 46.70	41.80 / 74.80 / 46.70	41.80 / 74.80 / 46.70
250 V / 16 A / 6 mm ²	250 V / 16 A / 6 mm ²	250 V / 16 A / 6 mm ²
0.5 - 10	0.5 - 10	0.5 - 10
0.5 - 6	0.5 - 6	0.5 - 6

MARKING SOLUTIONS



Klemmsan®



Printed Marking Tags






Cat.No.	Type	Description	Cat.No.	Type	Description	Cat.No.	Type	Description
505 000	DY 5	0	505 060	DY 5	A	505 201	DY 10/6,5	1-10
505 001	DY 5	1	505 061	DY 5	B	505 202	DY 10/6,5	11-20
505 002	DY 5	2	505 062	DY 5	C	505 203	DY 10/6,5	21-30
505 003	DY 5	3	505 063	DY 5	D	505 204	DY 10/6,5	31-40
505 004	DY 5	4	505 064	DY 5	E	505 205	DY 10/6,5	41-50
505 005	DY 5	5	505 065	DY 5	F	505 206	DY 10/6,5	51-60
505 006	DY 5	6	505 066	DY 5	G	505 207	DY 10/6,5	61-70
505 007	DY 5	7	505 067	DY 5	H	505 208	DY 10/6,5	71-80
505 008	DY 5	8	505 068	DY 5	I	505 209	DY 10/6,5	81-90
505 009	DY 5	9	505 069	DY 5	J	505 210	DY 10/6,5	91-100
505 010	DY 5	10	505 070	DY 5	K			
505 020	DY 5	1-10	505 071	DY 5	L			
505 021	DY 5	11-20	505 072	DY 5	M			
505 022	DY 5	21-30	505 073	DY 5	N			
505 023	DY 5	31-40	505 074	DY 5	O			
505 024	DY 5	41-50	505 075	DY 5	P			
505 025	DY 5	51-60	505 076	DY 5	Q			
505 026	DY 5	61-70	505 077	DY 5	R			
505 027	DY 5	71-80	505 078	DY 5	S			
505 028	DY 5	81-90	505 079	DY 5	T			
505 029	DY 5	91-100	505 080	DY 5	U			
505 030	DY 5	10, 20,30,.....100	505 081	DY 5	V			
505 040	DY 5	1-50	505 082	DY 5	W			
505 041	DY 5	51-100	505 083	DY 5	X			
505 042	DY 5	101-150	505 084	DY 5	Y			
505 043	DY 5	151-200	505 085	DY 5	Z			
505 044	DY 5	201-250	505 090	DY 5	L1			
505 045	DY 5	251-300	505 091	DY 5	L2			
505 046	DY 5	301-350	505 092	DY 5	L3			
505 047	DY 5	351-400	505 093	DY 5	RSTN $\frac{1}{3}$			
505 048	DY 5	401-450	505 094	DY 5	Mp			
505 049	DY 5	451-500	505 095	DY 5	+			
505 050	DY 5	501-550	505 096	DY 5	-			
505 051	DY 5	551-600	505 097	DY 5	$\frac{1}{2}$			
505 052	DY 5	601-650	505 098	DY 5	PE			
505 053	DY 5	651-700						
505 054	DY 5	701-750						
505 055	DY 5	751-800						
505 056	DY 5	801-850						
505 057	DY 5	851-900						
505 058	DY 5	901-950						
505 059	DY 5	951-999						

* For your DYO series special printed label requests please contact with your sales representative.

Klemsan Wire Marking Tags

Closed Type				
				
Numbers	KG 1	KG 2	Qty.	Color
0	515 000	516 000	1000/500	Yellow
1	515 001	516 001	1000/500	Yellow
2	515 002	516 002	1000/500	Yellow
3	515 003	516 003	1000/500	Yellow
4	515 004	516 004	1000/500	Yellow
5	515 005	516 005	1000/500	Yellow
6	515 006	516 006	1000/500	Yellow
7	515 007	516 007	1000/500	Yellow
8	515 008	516 008	1000/500	Yellow
9	515 009	516 009	1000/500	Yellow
Letters				
A	515 010	516 010	1000/500	Yellow
B	515 011	516 011	1000/500	Yellow
C	515 012	516 012	1000/500	Yellow
D	515 013	516 013	1000/500	Yellow
E	515 014	516 014	1000/500	Yellow
F	515 015	516 015	1000/500	Yellow
G	515 016	516 016	1000/500	Yellow
H	515 017	516 017	1000/500	Yellow
I	515 018	516 018	1000/500	Yellow
J	515 019	516 019	1000/500	Yellow
K	515 020	516 020	1000/500	Yellow
L	515 021	516 021	1000/500	Yellow
M	515 022	516 022	1000/500	Yellow
N	515 023	516 023	1000/500	Yellow
O	515 024	516 024	1000/500	Yellow
P	515 025	516 025	1000/500	Yellow
Q	515 026	516 026	1000/500	Yellow
R	515 027	516 027	1000/500	Yellow
S		516 028	1000/500	Yellow
T		516 029	1000/500	Yellow
U	515 030	516 030	1000/500	Yellow
V	515 031	516 031	1000/500	Yellow
W	515 032	516 032	1000/500	Yellow
x	515 033	516 033	1000/500	Yellow
Y	515 034	516 034	1000/500	Yellow
Z	515 035	516 035	1000/500	Yellow
Signs				
Mp	515 040	516 040	1000/500	Blue
S	515 041	516 041	1000/500	Green
T	515 042	516 042	1000/500	Red
+	515 043	516 043	1000/500	Red
-	515 044	516 044	1000/500	Blue
⊕	515 045	516 045	1000/500	Yellow
(515 046	516 046	1000/500	Yellow
.	515 047	516 047	1000/500	Yellow
/	515 048	516 048	1000/500	Yellow

Open Type					
					
Numbers	KE 1	KE 2	KE 3	Qty.	Color
0	517 000	518 000	519 000	500	Black
1	517 001	518 001	519 001	500	Brown
2	517 002	518 002	519 002	500	Red
3	517 003	518 003	519 003	500	Orange
4	517 004	518 004	519 004	500	Yellow
5	517 005	518 005	519 005	500	Green
6	517 006	518 006	519 006	500	Blue
7	517 007	518 007	519 007	500	Purple
8	517 008	518 008	519 008	500	Grey
9	517 009	518 009	519 009	500	White
Letters					
A	517 010	518 010	519 010	200	Yellow
B	517 011	518 011	519 011	200	Yellow
C	517 012	518 012	519 012	200	Yellow
D	517 013	518 013	519 013	200	Yellow
E	517 014	518 014	519 014	200	Yellow
F	517 015	518 015	519 015	200	Yellow
G	517 016	518 016	519 016	200	Yellow
H	517 017	518 017	519 017	200	Yellow
I	517 018	518 018	519 018	200	Yellow
J	517 019	518 019	519 019	200	Yellow
K	517 020	518 020	519 020	200	Yellow
L	517 021	518 021	519 021	200	Yellow
M	517 022	518 022	519 022	200	Yellow
N	517 023	518 023	519 023	200	Yellow
O	517 024	518 024	519 024	200	Yellow
P	517 025	518 025	519 025	200	Yellow
Q	517 026	518 026	519 026	200	Yellow
R	517 027	518 027	519 027	200	Yellow
S	517 028	518 028	519 028	200	Yellow
T	517 029	518 029	519 029	200	Yellow
U	517 030	518 030	519 030	200	Yellow
V	517 031	518 031	519 031	200	Yellow
W	517 032	518 032	519 032	200	Yellow
x	517 033	518 033	519 033	200	Yellow
Y	517 034	518 034	519 034	200	Yellow
Z	517 035	518 035	519 035	200	Yellow
Signs					
Mp	517 040	518 040	519 040	200	Yellow
+	517 043	518 043	519 043	200	Yellow
-	517 044	518 044	519 044	200	Yellow
⊕	517 045	518 045	519 045	200	Yellow
(517 046	518 046	519 046	200	Yellow
.	517 047	518 047	519 047	200	Yellow
/	517 048	518 048	519 048	200	Yellow

Technical Specifications	KG 1	KG 2	KE 1	KE 2	KE 3
External insulation, mm ²	2,4 - 4,4	4 - 8,5	-	-	-
Cross section, mm ²	0,75 - 4	4 - 16	0,75 - 1,5	1,5 - 2,5	4 - 6

Self-Adhesive Button Tag Holders



Cat. No.	Product	Dimensions (mm)	Color	Qty.
509 700	Y-PBR S	30 x 17 mm (22.5 mm ²)	Black	100
509 701	Y-PBR T	30 x 17 mm (Telemecanique)	Black	100

Self-Adhesive Panel Tag Holders



Cat. No.	Product	Dimensions (mm)	Color	Qty.
509 600	Y-PER 1730	17x30	Black	100
509 601	Y-PER 1752	17x52	Black	100
509 602	Y-PER 1770	17x70	Black	100

Protective Cover for Panel/Button Tags



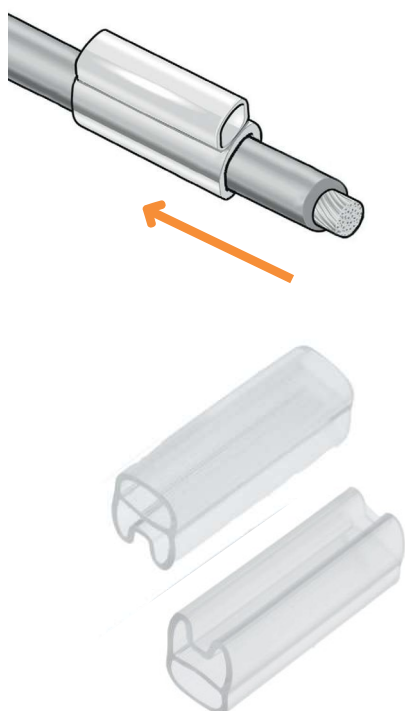
Cat. No.	Product	Dimensions (mm)	Color	Qty.
508 813	PBKP 2715	27x15	Transparent	192
508 814	PBKP 5015	50x15	Transparent	96
508 815	PBKP 6715	67x15	Transparent	96

Marking Tags for Cable Ties



Cat. No.	Product	Max. Label Size (mm)	Dimensions (mm)	Color	Qty.
520 110	KBE 1	8,7 x 29,5 mm	11 x 31,6 mm	Transparent	100
520 120	KBE 2	15,4 x 40 mm	19,5 x 44,5 mm	Transparent	100
508 080	KBE 3	9 x 20 mm	20,3 x 26 mm	Transparent	120

Sleeves for Cable Marking Tags



Order No	Product	Color	Qty.
809 100	KCKKS 10 / 0.5-1.5 mm ²	Transparent	500
809 110	KCKKS 15 / 0.5-1.5 mm ²	Transparent	500
809 120	KCKKS 18 / 0.5-1.5 mm ²	Transparent	500
809 130	KCKKS 23 / 0.5-1.5 mm ²	Transparent	500
809 140	KCKKS 30 / 0.5-1.5 mm ²	Transparent	500
809 150	KCKKS 10 / 1.5-2.5 mm ²	Transparent	500
809 160	KCKKS 15 / 1.5-2.5 mm ²	Transparent	500
809 170	KCKKS 18 / 1.5-2.5 mm ²	Transparent	500
809 180	KCKKS 23 / 1.5-2.5 mm ²	Transparent	500
809190	KCKKS 30 / 1.5-2.5 mm ²	Transparent	500
809 200	KCKKS 10 / 2,5-4 mm ²	Transparent	500
809 210	KCKKS 15 / 2,5-4 mm ²	Transparent	500
809 220	KCKKS 18 / 2,5-4 mm ²	Transparent	500
809 230	KCKKS 23 / 2,5-4 mm ²	Transparent	500
809 240	KCKKS 30 / 2,5-4 mm ²	Transparent	500
809 250	KCKKS 10 / 6-10 mm ²	Transparent	500
809 260	KCKKS 15 / 6-10 mm ²	Transparent	500
809 270	KCKKS 18 / 6-10 mm ²	Transparent	500
809 280	KCKKS 23 / 6-10 mm ²	Transparent	500
809 290	KCKKS 30 / 6-10 mm ²	Transparent	500
809 300	KCKKS 10 / 16-25 mm ²	Transparent	500
809 310	KCKKS 15 / 16-25 mm ²	Transparent	500
809 320	KCKKS 18 / 16-25 mm ²	Transparent	500
809 330	KCKKS 23 / 16-25 mm ²	Transparent	500
809 340	KCKKS 30 / 16-25 mm ²	Transparent	500

THERMAL PRINTING SOLUTIONS



Software

KlemarkPRO is developed by Klemsan in order to manage all kinds of marking projects through one software.

- Easy setup. Operator needs only basic computer skills.
- Compatible with all Klemsan printers.
- Provides high performance for printing all types of texts, symbols and images.
- Advanced features provide high-quality preview and quick operation.
- Graphic design and Klecard universal drivers can be automatically uploaded during set-up. (Windows® compatibility.)

Marking Systems / Printers

We offer the most suitable solutions for your projects thanks to our thermal marking systems. You can experience the high efficiency and easy application with Klemsan Marking Systems which will definitely suit all your industrial requirements.

KLECARD Thermal Card Printer



Klecard Thermal Printer is the fastest and easiest way for marking a wide variety of labels and tags.

- Terminal Blocks
- Cables
- Panel Surface and Components
- All Kinds of Industrial Products and Devices

Windows® based driver will provide ease of use. Even smallest symbols, drawings, barcodes and QR Codes can be printed.

Tx300 – Thermal Roll Printer



High-speed Tx300 thermal transfer printer is designed for marking labels and tags within roll format. Light and compact design of the printer ensures the ease of use in the most challenging field conditions. All kinds of panel building components such as cable markers, terminal strip labels and other industrial labels can be marked with Tx300.

Hardware Requirements

CPU	32-bit / 64-bit Intel® or AMD® Processor
RAM	2 GB of RAM (4 GB recommended)
Disc Space (HDD/SDD)	4.0 GB of free disk space for installation
Display	15.6" monitor (17" recommended)
Input Devices	Keyboard, three-button mouse

Software Requirements

Operating System	Microsoft® Windows® Vista, 7, 8/8.1/10 with .NET Framework 4.0
Internet Browser	Microsoft® Internet Explorer®, Google Chrome™, Mozilla® Firefox®

Software Features

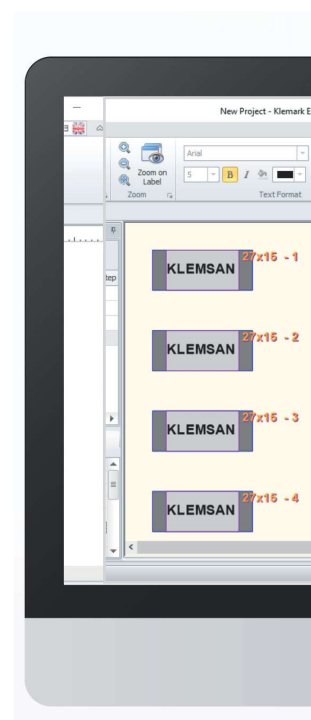
Reconfiguration Oriented Project

The marking project is a relational database which can be continuously reconfigured, by sorting and grouping different materials on different machines. You can modify, complete your project or adapt it to different system configurations in an efficient way with minimum effort.

Intuitive User Interface Compatible with MS-Windows Philosophy **WYSIWYG (What You See is What You Get)**

The user can manage records in a combined Tree-Grid view with sorting, filtering and grouping functions.

- Visual editing in preview screen and synchronization with the Tree-Grid view.
- Undo/Redo functions for project operations on records/project.
- Clipart collection of symbols by dragging and dropping into the project (in Graphic Mode).
- Simple Text and RTF (rich-text-format) editing capability on labels.
- Graphic Editor for labels with support for RTF, Barcode, QR-Code, circular text, vector and raster images.



Material Management

The material hierarchical (Tree-Grid) view allows direct selection into preview screen for visual editing.

Material and Custom Label Designer

Easy and functional geometrical label design and text attributes for Klemsan standard materials and customer predefined/layout labels. Smart way of assigning printing settings to each material from parameter database.

Strip / Endless / Ribbon Material Support

The Terminal Strip Editor is a powerful graphic editor with print preview capabilities for ribbon/strip materials.

Printer Settings

Printers management utility for assigning printers to materials category, also for defining the materials organization on each printer pad.

Print Settings

Capability for selection, copy factors, machine settings control during the printing process.

Page Printing Management

The pages to be printed can be viewed hierarchically (Tree-Grid) which allows label grouping or individual label selection.

International Language Support

The application fully supports UNICODE languages for the user interface and for the text to be marked.

KLECARD Thermal Card Printing

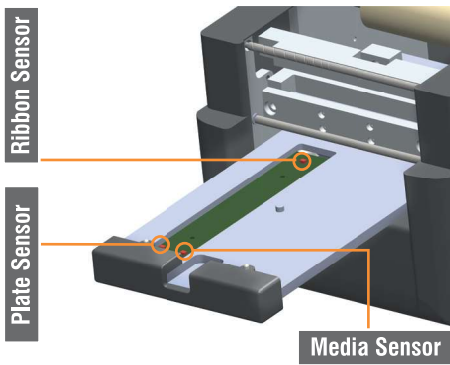


Cat. No.	Product
806 000	Klecard Thermal Card Printer

The marking process has never been so effortless. Printing dozens of labels and tags just in seconds will give you an opportunity to complete your projects faster than what you plan. Klecard is the new amazing marking solution based on the thermal transfer print technology, which is alcohol-proof, smudge-proof and waterproof with no drying time. Klecard is so fast that you can print any kind of label card in less than 10 seconds with a huge thermal resistance level according to international standards. It is ideal for high volume applications with low-cost printing per card with a resolution of 300 x 600 dpi.

Terminal blocks, cables, panel components, buttons and many more products can be marked with our Klecard Printer thanks to our marking software Klemark-Pro.

Features



- Ribbon saving algorithm; ensures the optimal ribbon usage, lowering printing cost and maximizing efficiency.
- Built-in printhead integrity check; which automatically tests any printhead single element and ensures high-quality texts, symbols, barcodes and images.
- Perfect printing mode; which allows you to print different media types with the best settings of the printer (speed rate, printing intensity and ribbon control).
- Automatic temperature sensing; which controls the status of the printhead to adjust it at the best conditions depending on the operating environment climate.
- Sensing control; Klecard has three sensors to manage ribbon, plates and media. The machine will start printing only when the plate, the ribbon and media are placed on the machine.

Warning: The printhead working temperature condition is between 15-35 °C range.

Package Contents



- 1 KleCard Printer
- 1 Power Supply
- 1 Power Cable
- 1 USB Cable
- 1 Plate for Flat Media
- 1 Plate for Terminal Blocks Markers

Klecard Accessories



Ribbons

Cat. No.	Product	Size (mm)	Color	Qty.
806 100	KL-RB Ribbon	110x300	Black	1
806 101	KL-RB Ribbon	110x300	Red	1
806 102	KL-RB Ribbon	110x300	Blue	1

Note: To ensure the best printing quality and efficiency on Klemsan Thermal Marking Systems, only Klemsan original consumable products must be used. Otherwise, the subject products will not be covered by warranty conditions.

Plates

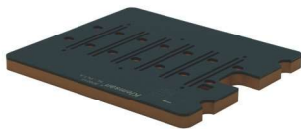


Plate KL-PLT A Terminal Block Markers

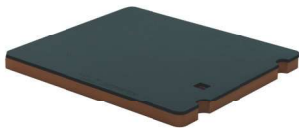


Plate KL-PLT B for Flat Media

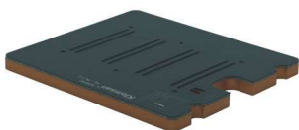


Plate KL-PLT C for Clip-it Cable Markers

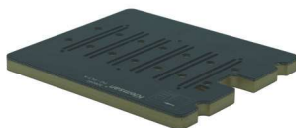
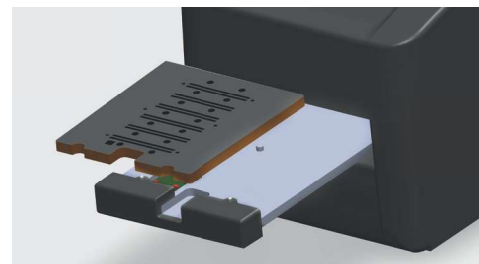
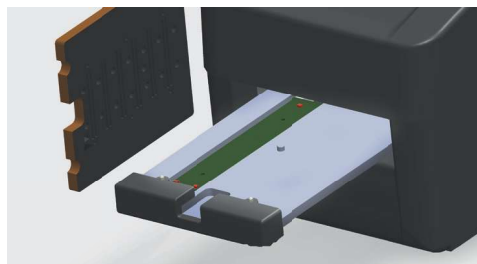
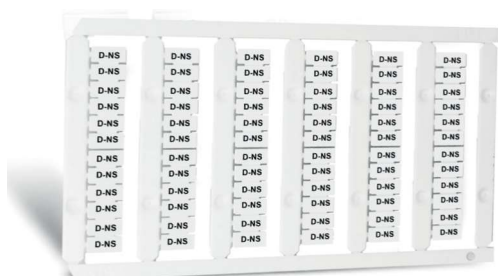


Plate PC-PLT A for Different Brand Terminal Block Markers

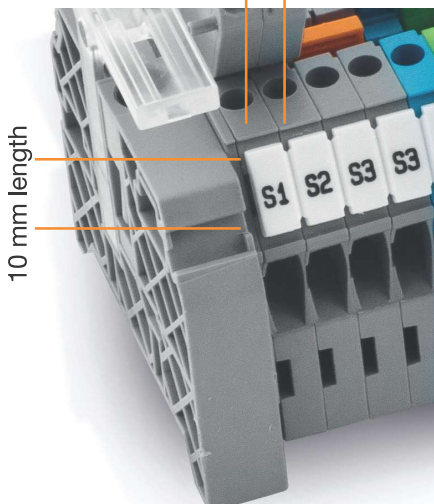
Cat. No.	Product
806 010	KL-PLT A for Terminal Block Markers
806 020	KL-PLT B for Flat Media
806 030	KL-PLT C for Clip-it Cable Markers
806 040	PC-PLT A for Different Brand Terminal Block Markers



Marking for Terminal Blocks



5 mm width



10 mm length

Halogen Free **VO** raw material

Cat. No.	Product	Print Area (mm)	Color	Labels per Card	Labels per Pack
811 750	D-NS 5x10	4,2x9,8	White	72	720
812 250	D-NS 6x10	5,2x9,8	White	60	600
812 750	D-NS 8x10	7,2x9,8	White	48	480
813 100	D-NS 10x10	9,2x9,8	White	36	360
813 450	D-NS 12x10	11,2x9,8	White	30	300
810 300	D-NS 5x6	4,4x6,0	White	72	720
810 450	D-NS 5,2x6	4,4x6,0	White	72	720
810 150	D-NS 4,2x6	3,6x6,0	White	84	840
810 600	D-NS 6,2x6	5,4x6,0	White	60	600
810 750	D-NS 8x6	6,4x6,0	White	48	480
811 000	D-NS 10x6	8,4x6,0	White	36	360
811 250	D-NS 12x6	10,4x6,0	White	30	300
811 800	D-NS 14x10	12,4x10,0	White	24	240
814 150	D-NS 20x9	18,4x10,0	White	18	180

* D-NS 20x9 Labels are suitable with plate PC-PLT A

* See page ----- for terminal blocks selection guide.

816 000	D-PC 5x10	4,2x9,8	White	72	576
816 500	D-PC 6x10	5,2x9,8	White	60	480
817 000	D-PC 8x10	7,2x9,8	White	48	384

* D-PC Labels are suitable with plate PC-PLT A

* Please contact with your sales representative for brand suitability information.

MARKING STRIP

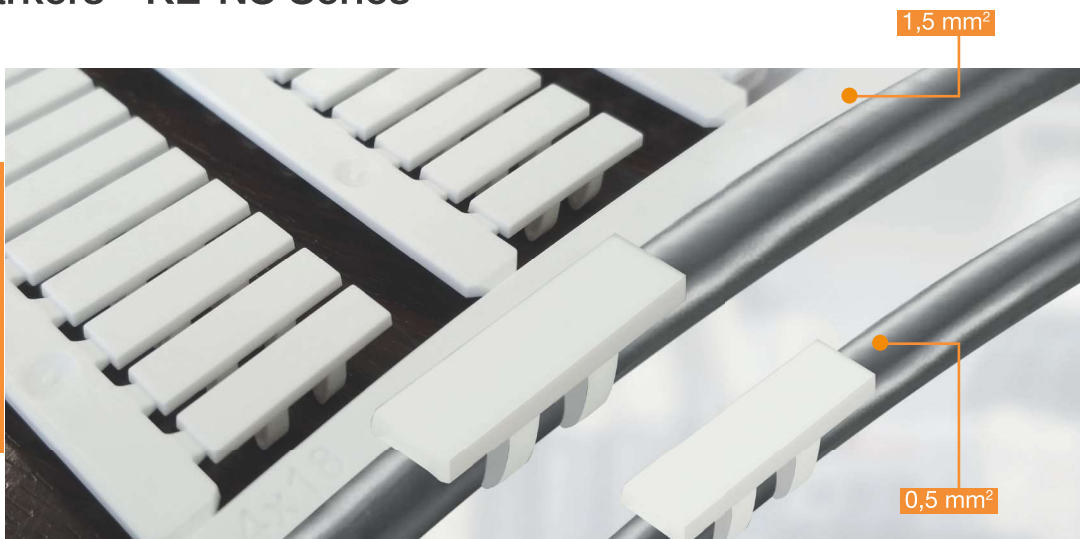
Cat. No.	Product	Print Area (mm)	Color	Labels per Card	Labels per Pack
808 458	KCSLF-W	11,2x100	White	12	240

*See page ----- for terminal blocks selection guide.

Marking For Cables

Clip-it Cable Markers - KE-NS Series

KE1-NS 4x18



Cat. No.	Product	Print Area (mm)	Max.Cable Diameter (mm)	Color	Labels per Card	Labels per Pack
814 300	KE1-NS 4x12 W (0,5-1,5mm ²)	4x12	2,00-2,90	White	40	1120
814 500	KE2-NS 4x12 W (1,5-2,5mm ²)	4x12	2,90-3,50	White	36	864
814 700	KE3-NS 4x12 W (4,0-6,0mm ²)	4x12	4,00-4,60	White	32	640
814 900	KE1-NS 4x18 W (0,5-1,5mm ²)	4x18	2,00-2,90	White	40	1120
815 100	KE2-NS 4x18 W (1,5-2,5mm ²)	4x18	2,90-3,50	White	36	864
815 300	KE3-NS 4x18 W (4,0-6,0mm ²)	4x18	4,00-4,60	White	36	640
815 500	KE1-NS 4x22 W (0,5-1,5mm ²)	4x22	2,00-2,90	White	40	1120
815 700	KE2-NS 4x18 W (1,5-2,5mm ²)	4x22	2,90-3,50	White	36	864
815 900	KE3-NS 4x18 W (4,0-6,0mm ²)	4x22	4,00-4,60	White	32	640
814 303	KE1-NS 4x12 Y (0,5-1,5mm ²)	4x12	2,00-2,90	Yellow	40	1120
814 503	KE2-NS 4x12 Y (1,5-2,5mm ²)	4x12	2,90-3,50	Yellow	36	864
814 703	KE3-NS 4x12 Y (4,0-6,0mm ²)	4x12	4,00-4,60	Yellow	32	640
814 903	KE1-NS 4x18 Y (0,5-1,5mm ²)	4x18	2,00-2,90	Yellow	40	1120
815 103	KE2-NS 4x18 Y (1,5-2,5mm ²)	4x18	2,90-3,50	Yellow	36	864
815 303	KE3-NS 4x18 Y (4,0-6,0mm ²)	4x18	4,00-4,60	Yellow	36	640
815 503	KE1-NS 4x22 Y (0,5-1,5mm ²)	4x22	2,00-2,90	Yellow	40	1120
815 703	KE2-NS 4x22 Y (1,5-2,5mm ²)	4x22	2,90-3,50	Yellow	36	864
815 903	KE3-NS 4x22 Y (4,0-6,0mm ²)	4x22	4,00-4,60	Yellow	32	640

Halogen Free **VO** raw material

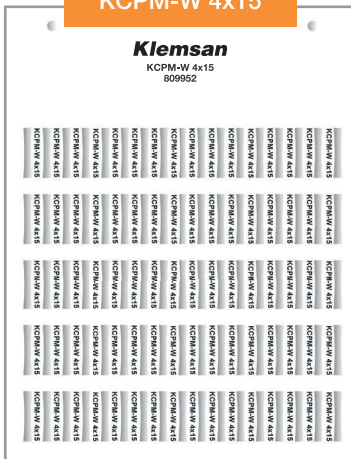


Marking For Cables

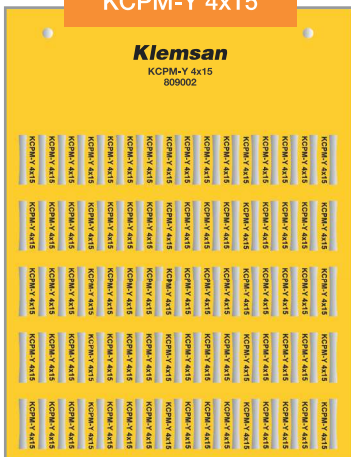
Cable Markers for KCKKS Transparent Tubes - KCPM Series



KCPM-W 4x15



KCPM-Y 4x15



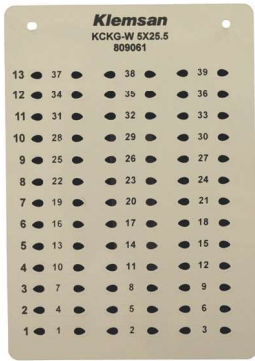
Cat. No.	Product	Print Area (mm)	Color	Labels per Card	Labels per Pack
808 951	KCPM-W 4x10	4x10	White	112	2240
808 952	KCPM-W 4x15	4x15	White	80	1600
808 953	KCPM-W 4x23	4x23	White	64	1280
808 954	KCPM-W 4x30	4x30	White	48	960
808 955	KCPM-W 4x18	4x18	White	80	1600
809 001	KCPM-Y 4x10	4x10	Yellow	112	2240
809 002	KCPM-Y 4x15	4x15	Yellow	80	1600
809 003	KCPM-Y 4x23	4x23	Yellow	64	1280
809 004	KCPM-Y 4x30	4x30	Yellow	48	960
809 005	KCPM-Y 4x18	4x18	Yellow	80	1600

TAG HOLDERS SELECTION GUIDE

	KCPM 4x10	KCPM 4x15	KCPM 4x18	KCPM 4x23	KCPM 4x30
KCKKS 10	✓				
KCKKS 15		✓			
KCKKS 23				✓	
KCKKS 30					✓
KCKKS 18			✓		

Marking For Cables

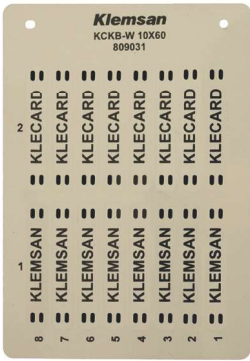
Snap On Cable - KCKG Series



KCKG-W 5x25.5

Order No	Product	Suitable Cable Diameter (mm ²)	Print Area	Color	Qty.
809 061	KCKG-W 5x25.5	(0.75-1.5)	5x13mm	White	780
809 062	KCKG-W 7x26	(2.5-6)	7x12mm	White	660
809 063	KCKG-W 10x47.5	(6-16)	10x20mm	White	360

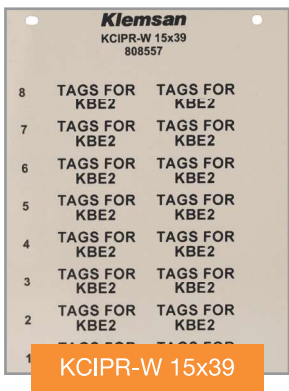
Label for Cable Tie - KCKB Series



KCKB-W 10x60

Order No	Product	Print Area	Cable Ø	Cable Tie Hole Diameter	Color	Qty.
809 030	KCKB-W 20x25	11x25mm	44836	5x2mm	White	400
809 031	KCKB-W 10x60	10x44mm	44836	5x2mm	White	320

Non Adhesive Rigid Flat PVC Markers - KCIPR Series



KCIPR-W 15x39

Cat. No.	Product	Print Area (mm)	Color	Labels per Card	Labels per Pack
808 556	KCIPR-W 8x29	8x29mm	White	45	900
808 557	KCIPR-W 15x39	15x39mm	White	16	320
808 606	KCIPR-Y 8x29	8x29mm	Yellow	45	900
808 607	KCIPR-Y 15x39	15x39mm	Yellow	16	320
808 656	KCIPR-S 8x29	8x29mm	Silver	45	900
808 657	KCIPR-S 15x39	15x39mm	Silver	16	320

Selection Guide

Cat No.	Product	KCIPR 8x29	KCIPR 15x39
520 110	KBE 1	✓	
520 120	KBE 2		✓



KBE 1



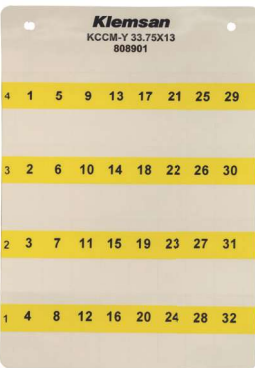
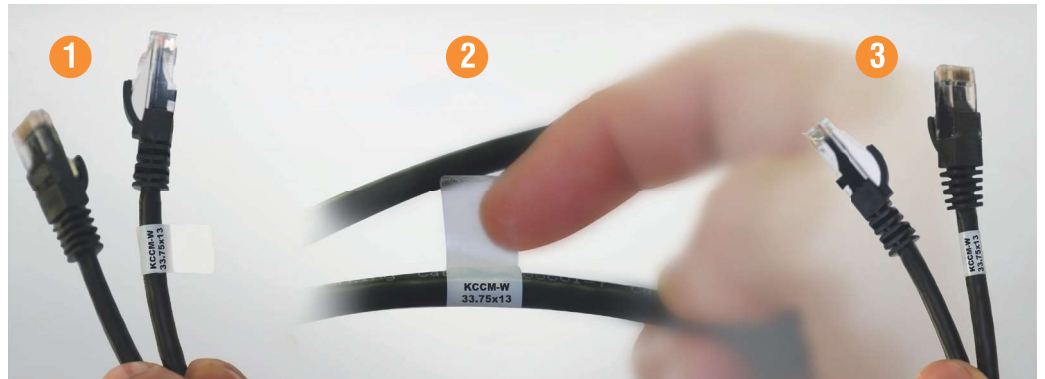
KBE 2

Marking For Cables

Adhesive Wrap Around Type Cable Markers - KCCM Series



KCCM-W 33.75x13



KCCM-Y 33.75x13

Cat. No.	Product	Print Area (mm)	Color	Labels per Card	Labels per Pack
808 851	KCCM-W 33.75x13	12x13mm	White	32	640
808 852	KCCM-W 67.5x25	19x25mm	White	8	160
808 853	KCCM-W 135x25	19x25mm	White	4	80
808 901	KCCM-Y 33.75x13	12x13mm	Yellow	32	640
808 902	KCCM-Y 67.5x25	19x25mm	Yellow	8	160
808 903	KCCM-Y 135x25	19x25mm	Yellow	4	80

Marking for Panel Surface and Components

Self Adhesive Vinly Markers - KCIP Series



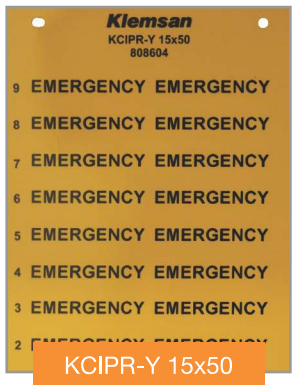
KCIP-Y 8x20



Cat. No.	Product	Print Area (mm)	Color	Labels per Card	Labels per Pack
808 499	KCIP-Y 8x17,5	8x17,5	Yellow	96	1920
808 500	KCIP-Y 7x44	7x44	Yellow	38	760
808 501	KCIP-Y 10x17	10x17	Yellow	78	1560
808 502	KCIP-Y 9x12	9x12	Yellow	120	2400
808 503	KCIP-Y 6x15	6x15	Yellow	154	3080
808 504	KCIP-Y 9x15	9x15	Yellow	90	1800
808 505	KCIP-Y 8x20	8x20	Yellow	80	1600
808 506	KCIP-Y 9x35	9x35	Yellow	45	900
808 507	KCIP-Y 9x50	9x50	Yellow	30	600

Marking for Panel Surface and Components

Non Adhesive Rigid Flat PVC Markers - KCIPR series



Cat. No.	Product	Print Area (mm)	Color	Labels per Card	Labels per Pack
808 551	KCIPR-W 15x27	15x27mm	White	27	540
808 552	KCIPR-W 18x27	18x27mm	White	21	420
808 554	KCIPR-W 15x50	15x50mm	White	18	360
808 555	KCIPR-W 15x67	15x67mm	White	8	180
808 601	KCIPR-Y 15x27	15x27mm	Yellow	27	540
808 602	KCIPR-Y 18x27	18x27mm	Yellow	21	420
808 604	KCIPR-Y 15x50	15x50mm	Yellow	18	360
808 605	KCIPR-Y 15x67	15x67mm	Yellow	9	180
808 651	KCIPR-S 15x27	15x27mm	Silver	27	540
808 652	KCIPR-S 18x27	18x27mm	Silver	21	420
808 654	KCIPR-S 15x50	15x50mm	Silver	18	360
808 655	KCIPR-S 15x67	15x67mm	Silver	9	180

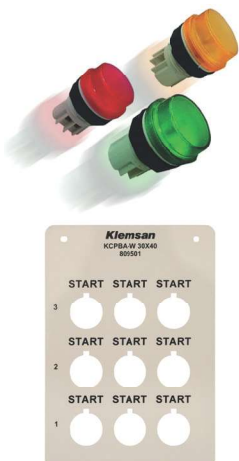
Tag Holders Selection Guide



Order No	Product	KCIPR 15x27	KCIPR 15x50	KCIPR 15x67
509 600	Y-PER 1730	✓		
509 601	Y-PER 1752		✓	
509 602	Y-PER 1770			✓
509 700	Y-PBR S	✓		
509 701	Y-PBR T	✓		



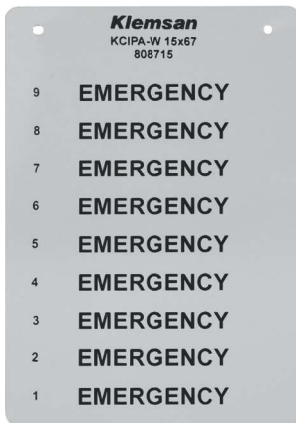
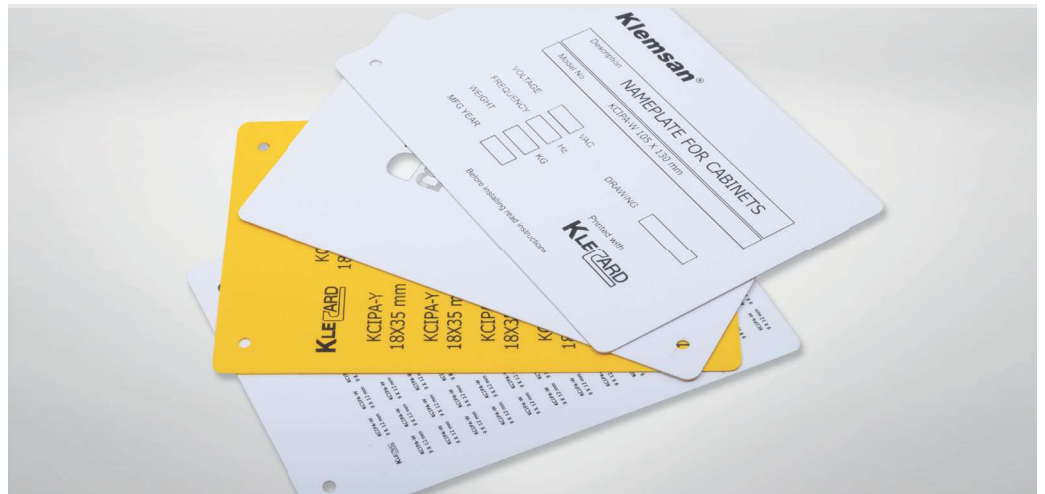
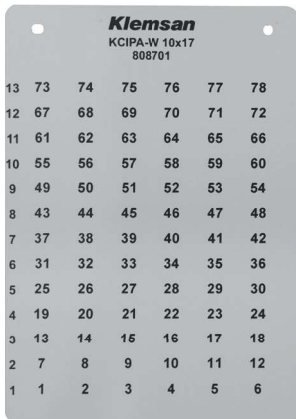
Marking For Buttons



Order No	Product	Size	Print Area	Color	Qty.
809 501	KCPBA-W	30x40	30x12mm	White ○	180
809 502	KCPBA-W	30x50	30x20mm	White ○	120
809 511	KCPBA-Y	30x40	30x12mm	Yellow ●	180
809 512	KCPBA-Y	30x50	30x20mm	Yellow ●	120
809 521	KCPBA-S	30x40	30x12mm	Silver ●	180
809 522	KCPBA-S	30x50	30x20mm	Silver ●	120

Marking for Panel Surface and Components

Adhesive Flat PVC Markers - KCIPA-W Series

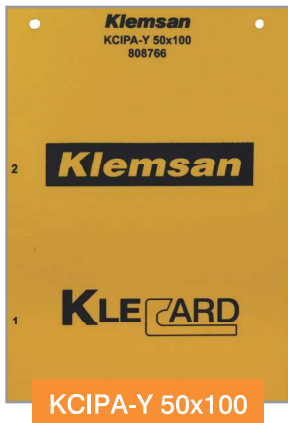
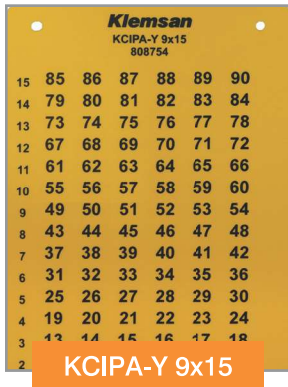


Cat. No.	Product	Print Area (mm)	Color	Labels per Card	Labels per Pack
808 701	KCIPA-W 10x17	10x17	White	78	1560
808 702	KCIPA-W 9x12	9x12	White	120	2400
808 703	KCIPA-W 6x15	6x15	White	154	3080
808 704	KCIPA-W 9x15	9x15	White	90	1800
808 705	KCIPA-W 8x20	8x20	White	80	1600
808 706	KCIPA-W 9x35	9x35	White	45	900
808 707	KCIPA-W 9x50	9x50	White	30	600
808 708	KCIPA-W 8x27	8x27	White	48	960
808 709	KCIPA-W 12.5x27	12,5x27	White	30	600
808 710	KCIPA-W 15x27	15x27	White	27	540
808 711	KCIPA-W 18x27	18x27	White	21	420
808 712	KCIPA-W 27x27	27x27	White	15	300
808 713	KCIPA-W 18x35	18x35	White	21	420
808 714	KCIPA-W 15x50	15x50	White	18	360
808 715	KCIPA-W 15x67	15x67	White	9	180
808 716	KCIPA-W 50x100	50x100	White	2	40
808 717	KCIPA-W 105x130	105x130	White	1	20
808 718	KCIPA-W 75x100	75x100	White	1	20
808 719	KCIPA-W 30x60	30x60	White	4	80
808 720	KCIPA-W 40x80	40x80	White	3	60



Marking for Panel Surface and Components

Adhesive Flat PVC Markers - KCIPA-Y Series

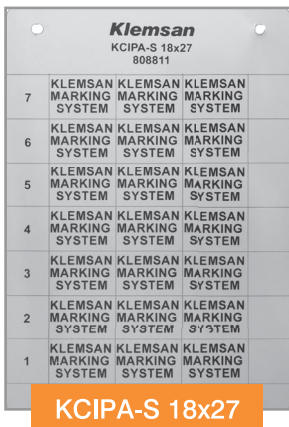
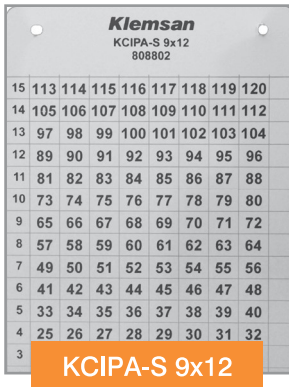


Cat. No.	Product	Print Area (mm)	Color	Labels per Card	Labels per Pack
808 751	KCIPA-Y 10x17	10x17	Yellow	78	1560
808 752	KCIPA-Y 9x12	9x12	Yellow	120	2400
808 753	KCIPA-Y 6x15	6x15	Yellow	154	3080
808 754	KCIPA-Y 9x15	9x15	Yellow	90	1800
808 755	KCIPA-Y 8x20	8x20	Yellow	80	1600
808 756	KCIPA-Y 9x35	9x35	Yellow	45	900
808 757	KCIPA-Y 9x50	9x50	Yellow	30	600
808 758	KCIPA-Y 8x27	8x27	Yellow	48	960
808 759	KCIPA-Y 12,5x27	12,5x27	Yellow	30	600
808 760	KCIPA-Y 15x27	15x27,5	Yellow	27	540
808 761	KCIPA-Y 18x27	18x27	Yellow	21	420
808 762	KCIPA-Y 27x27	27x27	Yellow	15	300
808 763	KCIPA-Y 18x35	18x35	Yellow	21	420
808 764	KCIPA-Y 15x50	15x50	Yellow	18	360
808 765	KCIPA-Y 15x67	15x67	Yellow	9	180
808 766	KCIPA-Y 50x100	50x100	Yellow	2	40
808 767	KCIPA-Y 105x130	105x130	Yellow	1	20
808 768	KCIPA-Y 75x100	75x100	Yellow	1	20
808 769	KCIPA-Y 30x60	30x60	Yellow	4	80
808 770	KCIPA-Y 40x80	40x80	Yellow	3	60

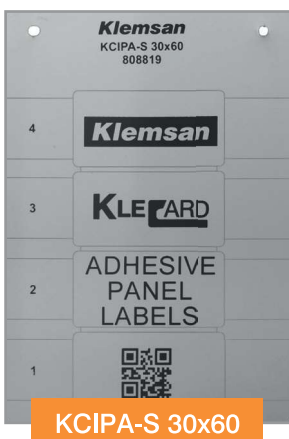


Marking for Panel Surface and Components

Adhesive Flat PVC Markers - KCIPA-S Series



Cat. No.	Product	Print Area (mm)	Color	Labels per Card	Labels per Pack
808 801	KCIPA-S 10x17	10x17	Silver	78	1560
808 802	KCIPA-S 9x12	9x12	Silver	120	2400
808 803	KCIPA-S 6x15	6x15	Silver	154	3080
808 804	KCIPA-S 9x15	9x15	Silver	90	1800
808 805	KCIPA-S 8x20	8x20	Silver	80	1600
808 806	KCIPA-S 9x35	9x35	Silver	45	900
808 807	KCIPA-S 9x50	9x50	Silver	30	600
808 808	KCIPA-S 8x27	8x27	Silver	48	960
808 809	KCIPA-S 12.5x27	12,5x27	Silver	30	600
808 810	KCIPA-S 15x27	15x27,5	Silver	27	540
808 811	KCIPA-S 18x27	18x27	Silver	21	420
808 812	KCIPA-S 27x27	27x27	Silver	15	300
808 813	KCIPA-S 18x35	18x35	Silver	21	420
808 814	KCIPA-S 15x50	15x50	Silver	18	360
808 815	KCIPA-S 15x67	15x67	Silver	9	180
808 816	KCIPA-S 50x100	50x100	Silver	2	40
808 817	KCIPA-S 105x130	105x130	Silver	1	20
808 818	KCIPA-S 75x100	75x100	Silver	1	20
808 819	KCIPA-S 30x60	30x60	Silver	4	80
808 820	KCIPA-S 40x80	40x80	Silver	3	60



Product Name	D-NS 4,2x6	D-NS 5x6	D-NS 5,2x6	D-NS 6,2x6	D-NS 8x6	D-NS 10x6	D-NS 12x6	D-NS 5x10	D-NS 6x10	D-NS 8x10	D-NS 10x10	D-NS 12x10	D-NS 14x10	D-NS 20x9	4,9mm Strip Label	11,2mm Strip Label
AVK 2,5								•								
AVK 4									•							
AVK 6										•						
AVK 10											•					
AVK 16											•	•				
AVK 50														•		•
AVK 70 RD														•		•
AVK 95														•		•
AVK 150														•		•
AVK 240														•		•
AVK 2,5 RD								•								
AVK 4 RD									•							
AVK 16 RD											•	•				
AVK 25 RD											•	•				
AVK 35 RD											•	•	•			
AVK 50T														•		•
AVK 2,5T RD								•								
AVK 4 T RD									•							
AVK 16 T RD											•	•				
AVK 35 T RD											•	•	•			
AVK PB 50														•		•
AVK PB 70 RD														•		•
AVK PB 95														•		•
AVK PB 150														•		•
AVK PB 240														•		•
AVK 95 B											•					
AVK 150 B											•	•				
AVK 240 B											•	•	•			
AVK 2,5 CC								•								
AVK 4 GD		•							•							
AVK 10 RD 4											•					
AVK 2,5 F								•								
AVK 2,5 CF								•								
AVK 2,5 A								•								•
AVK 2,5R								•								•
AVK 2,5RT								•								•
AVK SKT		•														
AVK SKTD		•														
AVK AS									•							
AVK ASD									•							
AVK 2,5 CCT								•								
AVK 10 T RD 4											•					
AVK 2,5 EA								•								
AVK 2,5 CCA								•								
AVK 4 FS		•														
AVK 2,5-4TK									•							
AVK 4A									•							•
AVK 4CC									•							
AVK 4CCA									•							
AVK 4CE									•							
AVK 4CEA									•							
AVK Y4																•
AVK Y6										•						•

Product Name	D-NS 4,2x6	D-NS 5x6	D-NS 5,2x6	D-NS 6,2x6	D-NS 8x6	D-NS 10x6	D-NS 12x6	D-NS 5x10	D-NS 6x10	D-NS 8x10	D-NS 10x10	D-NS 12x10	D-NS 14x10	D-NS 20x9	4,9mm Strip Label	11,2mm Strip Label
AVK Y10											•					•
AVK 4R									•							•
AVK 4RT									•							•
AVK 6TK										•						
AVK 10TK											•					
AVK 35 IRDS											•	•	•			
AVK 35 RDS											•	•	•			
AVK 35T IRDS											•	•	•			
AVK 35T RDS											•	•	•			
MVK 2,5		•														
MVK 4		•														
MVK 2,5 T		•														
MVK 4 T		•														
PIK 2,5 N								•								
PIK 2,5 NK								•								
PIK 2,5 ND-A								•								
PIK 2,5 ND-B								•								
PIK 2,5 NLD								•								
PIK 4 N									•							
PIK 4 NK									•							
PIK 4 ND-A									•							
PIK 4 ND-B									•							
PIK 4 NLD									•							
PIK 2,5 NT								•								
PIK 4 NT									•							
PUK 3		•														
PUK 2 T		•														
PUK 3 T		•														
PUK 3 S		•														
PUK 3 SLD (NPN)		•														
PUK 3 SLD (PNP)		•														
ASK 2 B					•											
ASK 2 S					•											
ASK 4 B										•						
ASK 4 S										•						
ASK 4 LD										•						
ASK 5										•						
ASK 5B										•						
ASK 5 LD										•						
ASK 2 LD					•											
PYK 1,5 M	•															•
PYK 1,5	•														•	•
PYK 2,5								•							•	•
PYK 4									•						•	•
PYK 6										•					•	•
PYK 10											•				•	•
PYK 1,5 MT	•															•
PYK 2,5 T								•							•	•
PYK 4 T									•						•	•
PYK 6 T										•					•	•
PYK 10 T											•				•	•
PYK 2,5-2 F								•							•	•
PYK 2,5-2 FK								•							•	•

Product Name	D-NS 4,2x6	D-NS 5x6	D-NS 5,2x6	D-NS 6,2x6	D-NS 8x6	D-NS 10x6	D-NS 12x6	D-NS 5x10	D-NS 6x10	D-NS 8x10	D-NS 10x10	D-NS 12x10	D-NS 14x10	D-NS 20x9	4,9mm Strip Label	11,2mm Strip Label
PYK 2,5 - 2 FLD								•							•	•
PYK 4 - 2 F									•						•	
PYK 2,5 - 2 FD A								•							•	•
PYK 2,5 - 2 FD B								•							•	•
PYK 2,5 - 3 F								•							•	•
PYK 2,5 - 2 FT								•							•	•
PYK 2,5 - 3 FT								•							•	•
PYK 3 S								•							•	
PYK 3 SLD (NPN)								•							•	
PYK 3 SLD (PNP)								•							•	
PYK 4 S										•					•	
PYK 4 I										•					•	
PYK 4 ILD										•					•	
PYK 4 SLD										•					•	
PYK 2,5 A								•							•	•
PYK 2,5 EA								•							•	•
PYK 2,5 CCA								•							•	•
PYK 2,5 E								•							•	•
PYK 2,5 ET								•							•	•
PYK 1,5 MC	•															
PYK 1,5 MCT	•															
PYK 1,5 ME	•															
PYK 1,5 MET	•															
PYK 2,5 C								•							•	•
PYK 2,5 CT								•							•	•
PYK 4 E									•						•	•
YBK 2,5								•								
YBK 4									•							
YBK 6										•						
YBK 10											•					
YBK 2,5 T								•								
YBK 4 T									•							
YBK 6 T										•						
YBK 10 T											•					
MYK 2,5		•														
MYK 2,5 C		•														
MYKR 2,5		•														
MYKR 2,5 C		•														
MYK 2,5 T		•														
MYPK 2,5		•														
MYPK 2,5 C		•														
MYSK 2,5		•														
YBK 2,5-2 F		•														
YBK 2,5-2 FK		•														
YBK 2,5-2 FD-A		•														
YBK 2,5-2 FD-B		•														
YBK 2,5-2 FLD		•														
YBK 4-2 F									•							
YBK 4-2 FK									•							
YBK 4-2 FD-A									•							
YBK 4-2 FD-B									•							
YBK 4-2 FLD									•							
YBK 2,5-3 F		•														

Product Name	D-NS 4,2x6	D-NS 5x6	D-NS 5,2x6	D-NS 6,2x6	D-NS 8x6	D-NS 10x6	D-NS 12x6	D-NS 5x10	D-NS 6x10	D-NS 8x10	D-NS 10x10	D-NS 12x10	D-NS 14x10	D-NS 20x9	4,9mm Strip Label	11,2mm Strip Label
YBK 2,5-2 FT		•														
YBK 2,5-3 FLD (NPN)		•														
YBK 2,5-3 FLD (PNP)		•														
YBK 3 S		•														
YBK 3 SLD (NPN)		•														
YBK 3 SLD (PNP)		•														
YBK S		•														
YBK SB		•														
YBK SLD		•														
YBK 2,5 A								•								
YBK I		•														
YBK IB		•														
YBK ILD		•														
YBK 2,5 E								•								
YBK 2,5 C								•								
YBK 2,5 CX2								•								
YBK 2,5 CD								•								
YBK 2,5 CLD								•								
YBK 2,5 CT								•								
YBK 2,5 ET								•								
PCY 2,5		•														
PCY 2,5 N		•														
PCY 2,5 E		•														
PCY 2,5 L		•														
PCY 2,5 EL		•														
PB 2,5									•							
PB 2,5T									•							
PB 2,5K									•							
PB 6										•						
PB 6K										•						
PB 25_M5											•					
PB 25_M6											•					
PB 6 T										•						
CPB 6		•														
CPB 6B		•														
WGO 1										•						
WGO 2 N											•					•
WGO 2 IR											•					•
WGO 3										•						
WGO 4										•						•
WGO 5										•						•
WGL 1										•						
WGO Y 6										•						•
WGO YD 6										•						•
WGO PB 6										•						•
WGO PBD 6										•						•
PYKM 2,5		•														•
PYKM 2,5 T		•														•
PYKMR 2,5		•														•
AYK 10/16		•														
TRV 4 S		•														
WG - Eki									•							
PTP 2,5			•													•

Product Name	D-NS 4,2x6	D-NS 5x6	D-NS 5,2x6	D-NS 6,2x6	D-NS 8x6	D-NS 10x6	D-NS 12x6	D-NS 5x10	D-NS 6x10	D-NS 8x10	D-NS 10x10	D-NS 12x10	D-NS 14x10	D-NS 20x9	4,9mm Strip Label	11,2mm Strip Label
PTP 2,5T			•													•
CTP 2,5			•													•
CTP 2,5T			•													•
CTP 2,5E			•													•
CTP 2,5ET			•													•
CTP 2,5C			•													•
CTP 2,5CT			•													•
CTP 2,5EA			•													•
CTP 2,5-2F			•												•	•
CTP 2,5-FT			•												•	•
CTP 2,5-2T			•												•	•
CTP 2,5-FK			•												•	•
SG_PT 2,5			•												•	
SG_PT 2,5CS			•												•	
SG_PT 2,5DB			•												•	
SG_PT 2,5AN			•												•	
SC_PT 2,5			•												•	
SC_PTS 2,5			•												•	
SC_PTR 2,5			•												•	
SRD 2,5			•													•
SRD 2,5D-A			•													•
SRD 2,5D-B			•													•
SRD 2,5E			•													•
SRD 2,5ED-A			•													•
SRD 2,5ED-B			•													•
SRD 2,5C			•													•
SRD 2,5CD-A			•													•
SRD 2,5CD-B			•													•
SRD 2,5Cx2			•													•
SRD 2,5CLD-24VDC			•													•
SRD 2,5CLD-24VAC			•													•
SRD 2,5CLD-48VDC			•													•
SRD 2,5CLD-48VAC			•													•
SRD 2,5CLD-110VDC			•													•
SRD 2,5CLD-110VAC			•													•
SRD 2,5CLD-220VDC			•													•
SRD 2,5CLD-220VAC			•													•
SRD 2,5A			•													•
SRD 2,5AD-A			•													•
SRD 2,5AD-B			•													•
SRD 2,5AK			•													•
SRD 2,5EA			•													•
SRD 2,5EAD-A			•													•
SRD 2,5EAD-B			•													•
SRD 2,5EAK			•													•
SRD 2,5CA			•													•
SRD 2,5CAD-A			•													•
SRD 2,5CAD-B			•													•
SRD 2,5CAK			•													•
SRD 2,5-2F			•												•	
SRD 2,5-2FD-A			•												•	
SRD 2,5-2FD-B			•												•	
SRD 2,5-2FD-R			•												•	

Product Name	D-NS 4,2x6	D-NS 5x6	D-NS 5,2x6	D-NS 6,2x6	D-NS 8x6	D-NS 10x6	D-NS 12x6	D-NS 5x10	D-NS 6x10	D-NS 8x10	D-NS 10x10	D-NS 12x10	D-NS 14x10	D-NS 20x9	4,9mm Strip Label	11,2mm Strip Label
SRD 2,5-2FLD-24VDC			•												•	
SRD 2,5-2FLD-24VAC			•												•	
SRD 2,5-2FLD-48VDC			•												•	
SRD 2,5-2FLD-48VAC			•												•	
SRD 2,5-2FLD-110VDC			•												•	
SRD 2,5-2FLD-110VAC			•												•	
SRD 2,5-2FLD-220VDC			•												•	
SRD 2,5-2FLD-220VAC			•												•	
SRD 2,5-F2D-A			•												•	
SRD 2,5-F2D-B			•												•	
SRD 2,5-FD-L			•												•	
SRD 2,5-FN			•												•	
SRD 2,5-2FK			•												•	
SRD 2,5-FT			•												•	
SRD 2,5-NT			•												•	
SRD 2,5-3F			•												•	
SRD 2,5-3FK			•												•	
SRD 2,5-2KF			•												•	
SRD 2,5-3FLD-24VDC			•												•	
SRD 2,5-3FLD-48VDC			•												•	
SRD 2,5-3FLD-110VDC			•												•	
SRD 2,5-3FLD-220VDC			•												•	
SRD 2,5-2FT			•												•	
SRD 3S			•												•	
SRD 3SLD-NPN			•												•	
SRD 3SLD-PNP			•												•	
SRD 4				•												•
SRD 4D_A				•												•
SRD 4D_B				•												•
SRD 4T				•												•
SRD 4E				•												•
SRD 4ED_A				•												•
SRD 4ED_B				•												•
SRD 4ET				•												•
SRD 4C				•												•
SRD 4CD_A				•												•
SRD 4CD_B				•												•
SRD 4Cx2				•												•
SRD 4CLD-24VDC				•												•
SRD 4CLD-24VAC				•												•
SRD 4CLD-48VDC				•												•
SRD 4CLD-48VAC				•												•
SRD 4CLD-110VDC				•												•
SRD 4CLD-110VAC				•												•
SRD 4CLD-220VDC				•												•
SRD 4CLD-220VAC				•												•
SRD 4CT				•												•
SRD 4A				•												•
SRD 4AD_A				•												•
SRD 4AD_B				•												•
SRD 4AK				•												•
SRD 4-2F				•											•	
SRD 4-2FD-A				•											•	

Product Name	D-NS 4,2x6	D-NS 5x6	D-NS 5,2x6	D-NS 6,2x6	D-NS 8x6	D-NS 10x6	D-NS 12x6	D-NS 5x10	D-NS 6x10	D-NS 8x10	D-NS 10x10	D-NS 12x10	D-NS 14x10	D-NS 20x9	4,9mm Strip Label	11,2mm Strip Label
SRD 4-2FD-B				•											•	
SRD 4-2FD-R				•											•	
SRD 4-2FLD-24VDC				•											•	
SRD 4-2FLD-24VAC				•											•	
SRD 4-2FLD-48VDC				•											•	
SRD 4-2FLD-48VAC				•											•	
SRD 4-2FLD-110VDC				•											•	
SRD 4-2FLD-110VAC				•											•	
SRD 4-2FLD-220VDC				•											•	
SRD 4-2FLD-220VAC				•											•	
SRD 4-F2D-A				•											•	
SRD 4-F2D-B				•											•	
SRD 4-2FD-L				•											•	
SRD 4-FN				•											•	
SRD 4-FK				•											•	
SRD 4-FT				•											•	
SRD 4-NT				•											•	
SRD 4-2T				•											•	
SRD 4-AF				•											•	
SRD 4S				•												
SRD 6					•					•						•
SRD 6E					•					•						•
SRD 6T					•					•						•
SRD 6ET					•					•						•
SRD 10						•					•					•
SRD 10E						•					•					•
SRD 10T						•					•					•
SRD 10ET						•					•					•
SRD 16							•					•				•
SRD 16T							•					•				•
CPB 6U		•														
SRD 4FS				•											•	

Tx300 - Thermal Roll Printing



Cat. No.	Product
808 452	Tx300 Thermal Roll Printer

Tx300 has the same system as KLeCard – Thermal transfer system. Tx300 is designed for roll form tags and labels whereas KLeCard is designed for card shape media. Tx300 labels are required to be polyester, paper or any kind of soft material which can easily pass through the thermal printhead. Tx300 is the fastest and easiest way for high volume roll form labels printing with 300 dpi resolution. Three different sizes of black resin ribbons can be used with this printer.

Terminal blocks, cables, panel components, buttons, heat shrinkable sleeves and many more products can be marked with our Tx300 Printer thanks to our marking software Klemark-Pro.

Tx300 Hardware Features



Next generation high-performance Tx300 desktop thermal printer, brings new standards in thermal printing and offers greater performance, compared to other printers in his field. The 4 inch series can simply print anything, tiny little symbols, numbers, graphics and barcodes for your applications; from cable marking with the smallest dimensions up to information cards for machine identification. Create high-quality, fast and durable labels for your marking needs.

- 1) Print speed up to 203 mm (8 inch) per second
- 2) 128 MB flash and 128 MB SDRAM memory
- 3) MicroSD Flash memory expansion up to 32 GB
- 4) User-friendly, double-walled folding design
- 5) Serial cable, internal Ethernet,
- 6) USB 2.0 & USB Host standard
- 7) 3.5" Colour TFT display
- 8) Labels up to 127 mm (5 inch) diameter
- 9) 300 meter ribbon compatible
- 10) ENERGY STAR® qualified

High
Availability
Quick setup
Economic
Printing

Features

Order No	808 452
Printer Model:	Tx300 (No display)
Resolution in DPI:	300
Printing Method:	Thermal Transfer & Thermal Direct
Printing Speed:	152 mm/s (6")
Max. Width:	106 mm/s (4,17")
Max. Length:	11.430 mm/s (450")
Casing:	Double - walled folding design made of plastic
Dimensions (mm):	226 mm (G) x 198 mm (Y) x 332 mm (B)
Dimensions (inch):	8,90" (G) x 7,80" (Y) x 13,07" (B)
Weight:	3,75 kg
Label Rolls:	127 mm (5") outer diameter
Ribbon:	300 m meters max. length; 67 mm outer diameter; 1" core diameter
Ribbon Width:	40 mm to 110 mm (1,6" to 4,3")
Processor:	32-bit RISC CPU
Memory:	128 MB Flash Memory, 128 MB SDRAM Memory, MicroSD Flash memory expansion up to 32 GB
Connection:	USB 2.0; RS-232; Ethernet 10/100 Mbps; USB Host; Centronics (optional); External Bluetooth (server option); • External 802.11 b/g/n wireless module (server option)
Operating Buttons, LED/LCD:	Power switch; 1 Feed / Pause Button; LED panel with 8 large symbols / icons
Power:	Input: AC 100-240V, 2.5A, 50-60Hz Output: DC 24V, 3.75A, 90W
Sensors:	• Transmissive sensor for label gaps; Adjustable reflective marking sensor (Blackmark); Film rotation; Print head open
Real-Time Clock:	Optional
Internet Fonts:	• 8 alphanumeric bitmap fonts; Monotype Image® TrueType font set with a scalable CG Triumvirate bold condensed font
Barcode:	1D Barcode: Code 39, Code 93, Code 128UCC, Code 128 Charset A, B, C, Codebar, Interleave 2/5, EAN-8, EAN-13, EAN-128, UPCA, UPC-E, EAN and UPC 2 (5) Extension, MSI, PLESSEY, POSTNET, ITF14, EAN 14, Code 11, TELEPEN, TELEPENN, PLANET, Code 49, Deutsche Post Identcode 2D Barcode: TLC39, CODABLOCK F, PDF-417, Maxicode, DataMatrix, QR Code, Aztec, Micro PDF 417, GS1 DataBar (RSS Barcode)
Font / Barcode:	Rotation 0°, 90°, 180°, 270°
Printer Command:	TSPL-EZTM (Compatible with EPL, ZPL, ZPL II)
Material Type:	Endless, pre-punched, black marking, leporello-folded, notch, bracelet (externally wound)
Material Width:	19 to 112 mm (0,75" to 4,4")
Material Thickness:	0,055 to 0,254 mm (2,17" to 10 mil)
Material Core Diameter:	25,4 to 38,1 mm (1" to 1.5")
Label Length:	3 to 11.430 mm; (0,1" to 450")
Environmental	Operation: 5 to 40°C, 25 to 85% humidity (non-condensing)
Conditions:	Storage: -40 to 60°C, 10 to 90% humidity (non-condensing)
Safety Instructions:	FCC Klasse B, CE Klasse B, RCM, UL, cUL, TÜV/Safety, CCC
Environment Protection:	Corresponds to RoHS, WEEE
Accessories:	Windows Software CD, Quick Start Guide; USB Cable; Power Cord; External Universal Power Supply
Warranty:	Printer: 2 years; Print head: 25 km (1 million inches) or 12 months, whichever ends first; Back-pressure roller: 50 km (2 million inches) or 12 months, whichever ends first
Optional Accessories:	Centronics Parallel-Creation; Real-time Clock; 3.5" Colour TFT display (with real time clock); Ribbon End Sensor; Centronics Parallel Interface; Guillotine Knife (full)
Optional Operating Accessories:	Bluetooth module (serial interface); 802.11 b/g/n wireless module (serial port); External roller holder; KP-200 Plus keyboard with display; KU-007 Plus Programmable keyboard

Tx300 and Accessories

Ribbons

- 1) Thermal transfer film (ribbon) and labelling material
- 2) Thermal transfer head
- 3) Printed label
- 4) Pressing roller
- 5) Used thermal transfer film (ribbon)

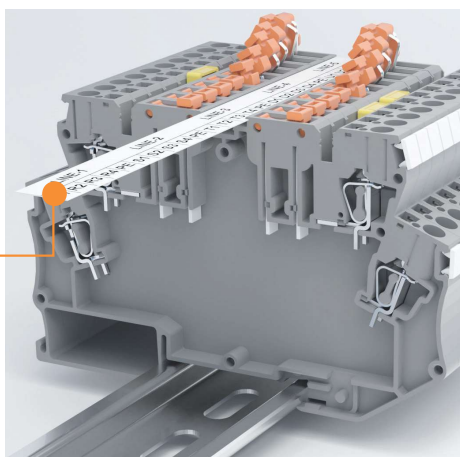
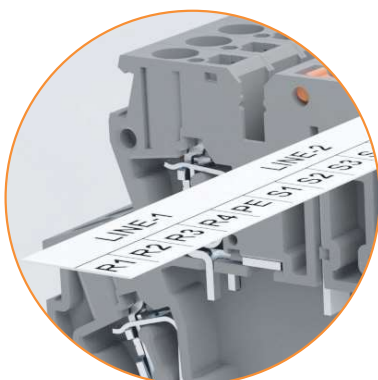


Cat. No.	Product	Size	Color	Core	Qty.
1020 010	Klemark Ribbon	30 mm x 300 m	Black	25, 4 mm /1	1
1020 011	Klemark Ribbon	50 mm x 300 m	Black	25, 4 mm /1	1
1020 012	Klemark Ribbon	110 mm x 300 m	Black	25, 4 mm /1	1
1020 013	Klemark Ribbon	40 mm x 300 m	Black	25, 4 mm /1	1

Marking for Terminal Blocks

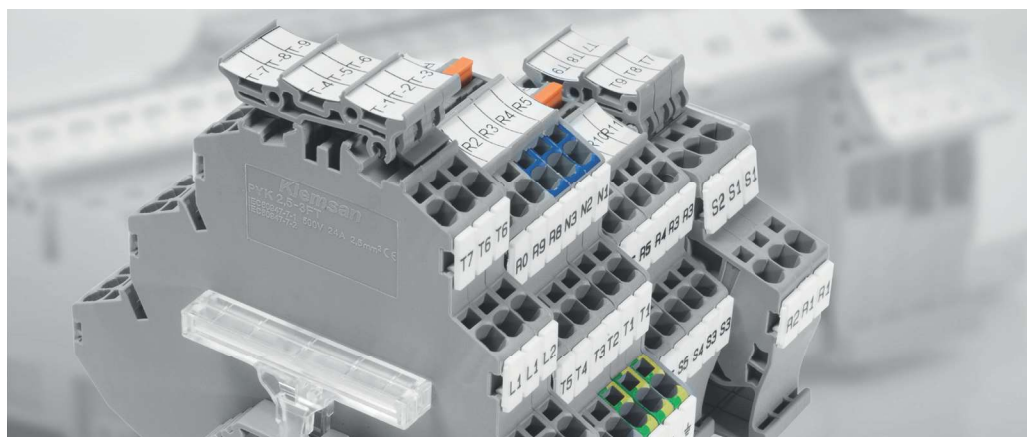


Cat. No.	Product	Size	Color	Qty.
1020 100	SLF - P1 W	11,2 mm x15 m	White	1
1020 110	SLF - P2 W	4,9 mmx15 m	White	1

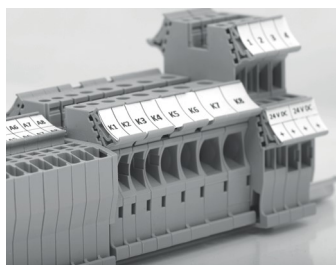


Marking for Terminal Blocks

Group Marking Carrier

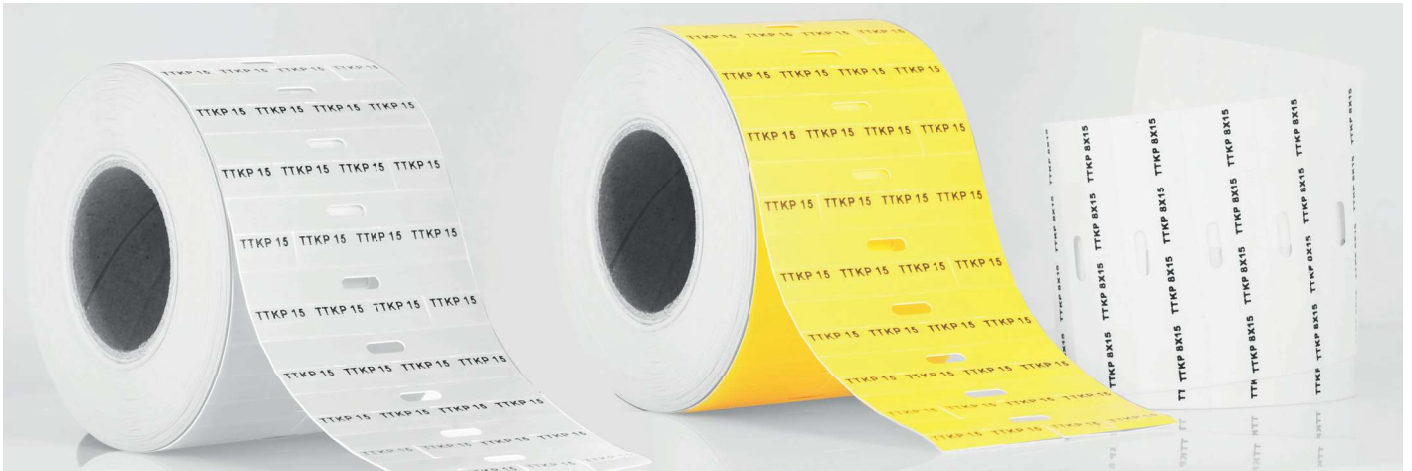


Cat. No.	Product	Description	Compatible with	Color	Qty.
498 210	ETS 2 PYK 2,5	Group Marking Carrier (two levels)	PYK 2,5 - 2 F / PYK 2,5 - 2 FK / PYK 2,5 - 3 F / PYK 2,5 - 2 FT / PYK 2,5 - 3 FT / PYK 2,5 2 FLD	Beige	50
498 219	ETS 2 PYK 2,5	Group Marking Carrier (two levels)	PYK 2,5 - 2 F / PYK 2,5 - 2 FK / PYK 2,5 - 3 F / PYK 2,5 - 2 FT / PYK 2,5 - 3 FT / PYK 2,5 2 FLD	Grey	50
498 217	ETS 2 PYK 2,5	Group Marking Carrier (two levels)	PYK 2,5 - 2 F / PYK 2,5 - 2 FK / PYK 2,5 - 3 F / PYK 2,5 - 2 FT / PYK 2,5 - 3 FT / PYK 2,5 2 FLD	Orange	50
498 220	ETS 3 PYK 2,5	Group Marking Carrier (three levels)	PYK 2,5 - 3 F / PYK 2,5 - 2 FT / PYK 2,5 - 3 FT	Beige	50
498 229	ETS 3 PYK 2,5	Group Marking Carrier (three levels)	PYK 2,5 - 3 F / PYK 2,5 - 2 FT / PYK 2,5 - 3 FT	Grey	50
498 227	ETS 3 PYK 2,5	Group Marking Carrier (three levels)	PYK 2,5 - 3 F / PYK 2,5 - 2 FT / PYK 2,5 - 3 FT	Orange	50
498 230	ETS 2 PYK 4	Group Marking Carrier (two levels)	PYK 4 - 2FN	Beige	25
498 239	ETS 2 PYK 4	Group Marking Carrier (two levels)	PYK 4 - 2FN	Grey	25
498 237	ETS 2 PYK 4	Group Marking Carrier (two levels)	PYK 4 - 2FN	Orange	25
498 289	ETS	Group Marking Carrier for Screw Terminals	AVK 2,5, AVK 10, AVK 4, AVK 6, AVK 25 RD, AVK 35 RDS, AVK 35 IRDS, AVK 16 RD, AVK 16, AVK 35 RD, AVK 2,5 / 4 TK, AVK 6 TK, AVK 10 TK, AVK 35 T RD, AVK 35 T RDS, AVK 35 T IRDS, AVK 2,5 RD, AVK 4 RD, AVK 2,5 CC, AVK 2,5 T RD, AVK 4 T RD, AVK 2,5 CCT, AVK 4 CCT, AVK 10 T RD 4, AVK 10 RD 4, AVK 4 CC, AVK 2,5 F, AVK 2,5 CF, AVK 95B, AVK 150B, AVK 240B, PIK 2,5 N, PIK 2,5 NT, PIK 4N, PIK 4 NT, ASK 3 A, AVK 2,5 CCA, AVK 4 CCA, ASK 4 B, WGO 3, WGO 1, WGL 1, YBK 2,5, YBK 4, YBK 6, YBK 10, YBK 2,5 T, YBK 4 T, YBK 6 T, YBK 10 T, YBK 2,5 A, YBK 2,5 E, YBK 2,5 C, YBK 2,5 CT, YBK 2,5 ET	Grey	100



Marking for Cables

Cable Markers - TTKP Series



Cat. No.	Product	Print Area (mm)	Color	Labels per Line	Qty.
808 158	TTKP 8x10	4x10	Yellow / White	4	4.000
808 159	TTKP 8x15	4x15	Yellow / White	4	4.000
808 160	TTKP 8x30	4x30	Yellow/ White	2	2.500

Transparent Holders For Cable Markers - KCKKS Series



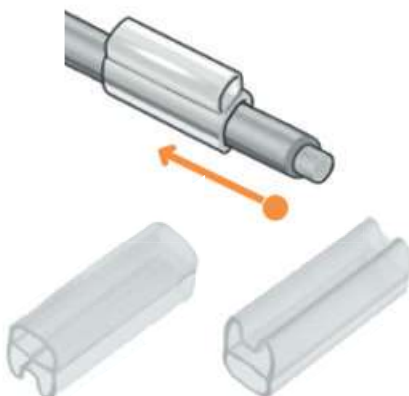
1. Mark the signs on the perforation line.



2. Fold it on the crease line and slide it into label holder.



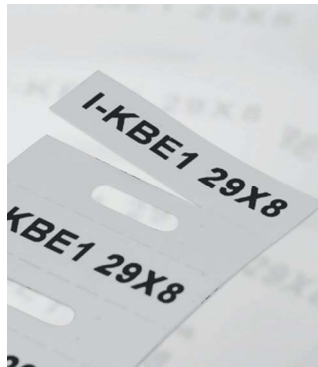
3. The flexible material optimally adapts to the selected mounting support.



SELECTION GUIDE			
	TTKP 8x10	TTKP 8x15	TTKP 8x30
KCKKS 10	✓		
KCKKS 15		✓	
KCKKS 30			✓

Marking for Cables

PVC Markers - I-KBE Series



1. Mark the signs on the perforation line.



2. Fold it on the crease line and slide it into KBE label holder placed.



3. Close the label carrier and attach to the cable using a cable tie.

Cat No.	Product	Print Area (mm)	Color	Qty.
808 164	I-KBE1 29x8 Y/W	29x8	Yellow / White	1.000
808 165	I-KBE2 39x15 Y/W	39x15	Yellow / White	1.000

Selection Guide

Cat No.	Product	I-KBE 1	I-KBE 2
520 110	KBE 1	✓	
520 120	KBE 2		✓



KBE 1



KBE 2

Cable Labels (Use With Cable Tie)



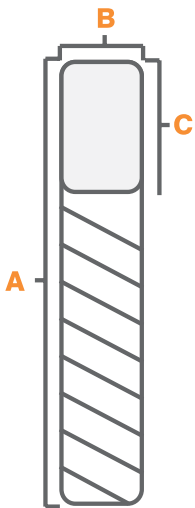
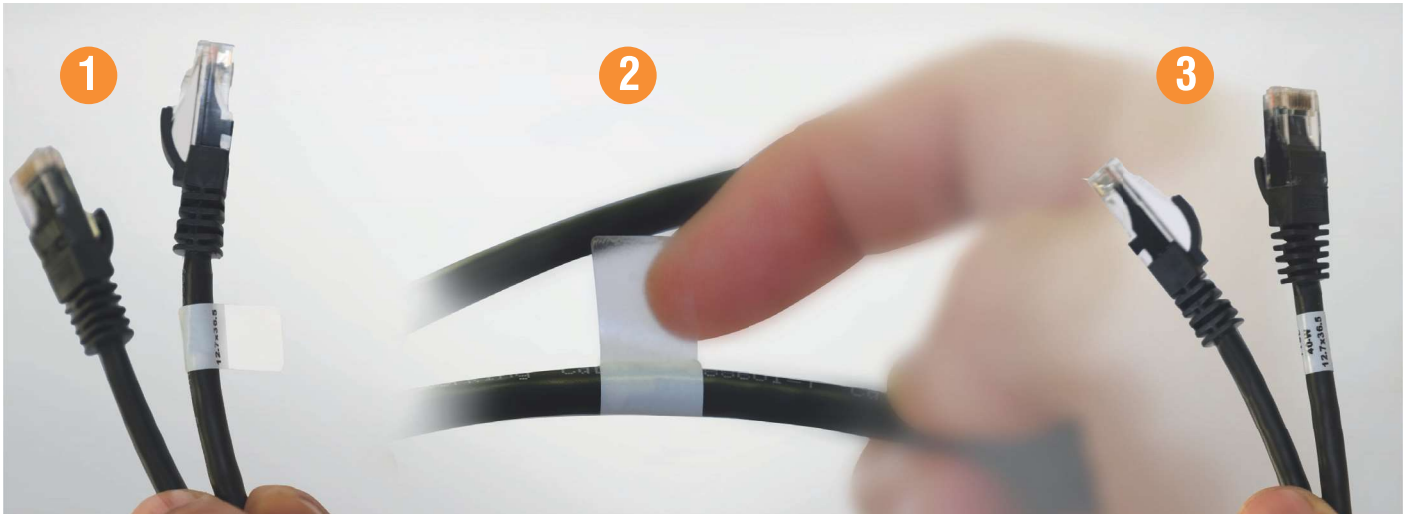
Order No	Product	Print Area (mm)	Cable Ø	Cable Tie Hole Size (mm)	Color	Qty.
808 473	TTKB 60x10 YL/W	44x10	44836	5x2	Yellow/White	500
808 474	TTKB 60x10 RD/W	44x10	44836	5x2	Red/White	500
808 475	TTKB 60x10 BL/W	44x10	44836	5x2	Blue/White	500
808 476	TTKB 60x10 GN/W	44x10	44836	5x2	Green/White	500
808 477	TTKB 60x10 SV/W	44x10	44836	5x2	Silver/White	500

* TTKB label is double colored.



Marking for Cables

Self Laminated Cable Markers - TTSL Series



Cat No.	Product (BxA)	Print Area (BxC) (mm)	Cable Diameter (mm)	Color	Qty.
808 070	TTSL 40- WH 12,7x19,5	12,7x9,5 mm	D: 3	White	5.000
808 071	TTSL 40- WH 19x23,8	19x9,5 mm	D: 4	White	5.000
808 072	TTSL 40- WH 12,7x36,5	12,7x12,7 mm	D: 7	White	5.000
808 073	TTSL 40- WH 19x44,5	19x12,7 mm	D: 10	White	5.000
808 074	TTSL 40- WH 25,4x36,5	25,4x12,7 mm	D: 7	White	1.500
808 075	TTSL 40- WH 25,4x57,15	25,4x19 mm	D: 12	White	1.500
808 076	TTSL 40- WH 25,4x95,25	25,4x25,4 mm	D: 22	White	1.500
808 077	TTSL 40- WH 25,4x152,4	25,4x38,1 mm	D: 36	White	1.000
808 078	TTSL 40- WH 50,8x92,25	50,8x25,4 mm	D: 22	White	1.000
808 079	TTSL 40- WH 50,8x177,8	50,8x38,1 mm	D: 44	White	500

Printable Heatshrink Markers - HSL Series

Halogen Free **VO** raw material



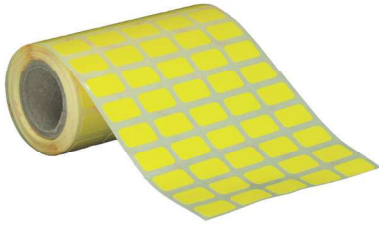
Cat No.	Product	Cross-Section (mm)	Length (m)	Color	Qty.
579 010	HSL-02-Y	0,25 - 1	400	Yellow	1
579 011	HSL-03-Y	1 - 1,5	400	Yellow	1
579 012	HSL-04.5-Y	2,5	100	Yellow	1
579 013	HSL-06-Y	4 - 6	200	Yellow	1
579 014	HSL-10-Y	6 - 10	100	Yellow	1



Cat No.	Product	Qty.
1020 070	Adapter for TX 300	1

Marking for Panel Surface and Components

Pvc Markers - PYE - SPYE Series



PYE



SPYE

Cat No.	Product	Print Area (mm)	Color	Qty.
808 403	PYE-01 YL	17x10	Yellow	2.500
808 420	PYE-01 SV	17x10	Silver	2.500
808 419	PYE - 01 W	17x10	White	2.500
808 404	PYE-02 YL	15x6	Yellow	2.500
808 422	PYE-02 SV	15x6	Silver	2.500
808 421	PYE-02 W	15x6	White	2.500
808 405	PYE-03 YL	12x9	Yellow	2.500
808 424	PYE-03 SV	12x9	Silver	2.500
808 423	PYE-03 W	12x9	White	2.500
808 406	PYE-04 YL	15x9	Yellow	2.500
808 426	PYE-04 SV	15x9	Silver	2.500
808 425	PYE-04 W	15x9	White	2.500
808 409	PYE-05 YL	18x8	Yellow	2.500
808 428	PYE-05 SV	18x8	Silver	2.500
808 427	PYE-05 W	18x8	White	2.500
808 429	SPYE-00 SV	27x12,5	Silver	2.500
808 430	SPYE- 01 SV	27x15	Silver	2.500
808 400	SPYE-02 SV	27x18	Silver	2.500
808 431	SPYE-03 SV	35x18	Silver	1.500
808 401	SPYE- 04 SV	70x30	Silver	250
808 402	SPYE-05 SV	90x40	Silver	250
808 454	SPYE-06 SV	100x50	Silver	250
808 432	SPYE-06 SV	45x15	Silver	2.000

Thick Polyester Markers - ETPS Series



0.8 mm Thickness



Cat No.	Product	Print Area (mm)	Color	Qty.
808 064	ETPS 40-SV 27x12.5	27x12,5	Silver	200
808 065	ETPS 40-SV 27x15	27x15	Silver	150
808 066	ETPS 40-SV 35x18	35x18	Silver	125
808 067	ETPS 40-SV 45x15	45x15	Silver	125
808 068	ETPS 40-SV 60x30	60x30	Silver	125
808 069	ETPS 40-SV 90x45	90x45	Silver	100

Marking for Panel Surface and Components

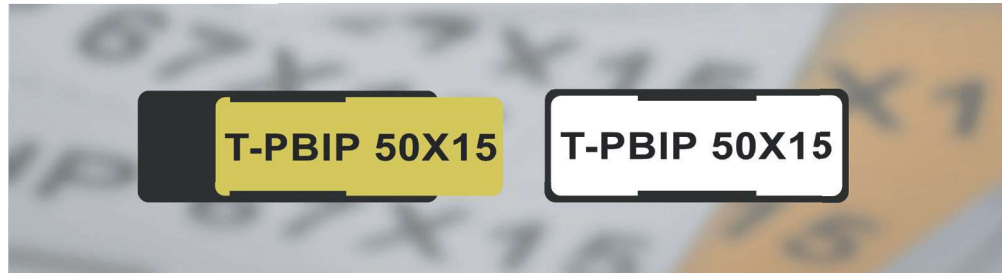
Pvc Markers - LSL Series



Cat No.	Product	Print Area	Color	Qty.
808 470	LSL-1,5 W	1,5 cm x 20 m	White	1
808 471	LSL-1,5 SV	1,5 cm x 20 m	Silver	1
808 472	LSL-1,5 YL	1,5 cm x 20 m	Yellow	1
808 433	LSL-03 W	3 cm x 20 m	White	1
808 434	LSL-03 SV	3 cm x 20 m	Silver	1
808 435	LSL-03 YL	3 cm x 20 m	Yellow	1
808 436	LSL-05 W	5 cm x 20 m	White	1
808 437	LSL-05 SV	5 cm x 20 m	Silver	1
808 438	LSL-05 YL	5 cm x 20 m	Yellow	1
808 439	LSL-08 W	8 cm x 20 m	White	1
808 440	LSL-08 SV	8 cm x 20 m	Silver	1
808 441	LSL-08 YL	8 cm x 20 m	Yellow	1

Marking for Panel Surface and Components

Pvc Markers - T-PBIP Series



Note: To ensure the best printing quality and efficiency on Klemsan Thermal Marking Systems, only Klemsan original consumable products must be used. Otherwise, the subject products will not be covered by warranty conditions.

Cat No.	Product	Print Area (mm)	Color	Qty.
808 161	T-PBIP 27x15 Y/W	27x15	Yellow / White	1.000
808 162	T-PBIP 27x15 Y/W	50x15	Yellow / White	1.000
808 163	T-PBIP 67x15 Y/W	67x15	Yellow / White	1.000
808 166	T-PBIP 27x8 Y/W	27x8	Yellow / White	1.000
808 167	T-PBIP 27x18 Y/W	27x18	Yellow / White	1.000

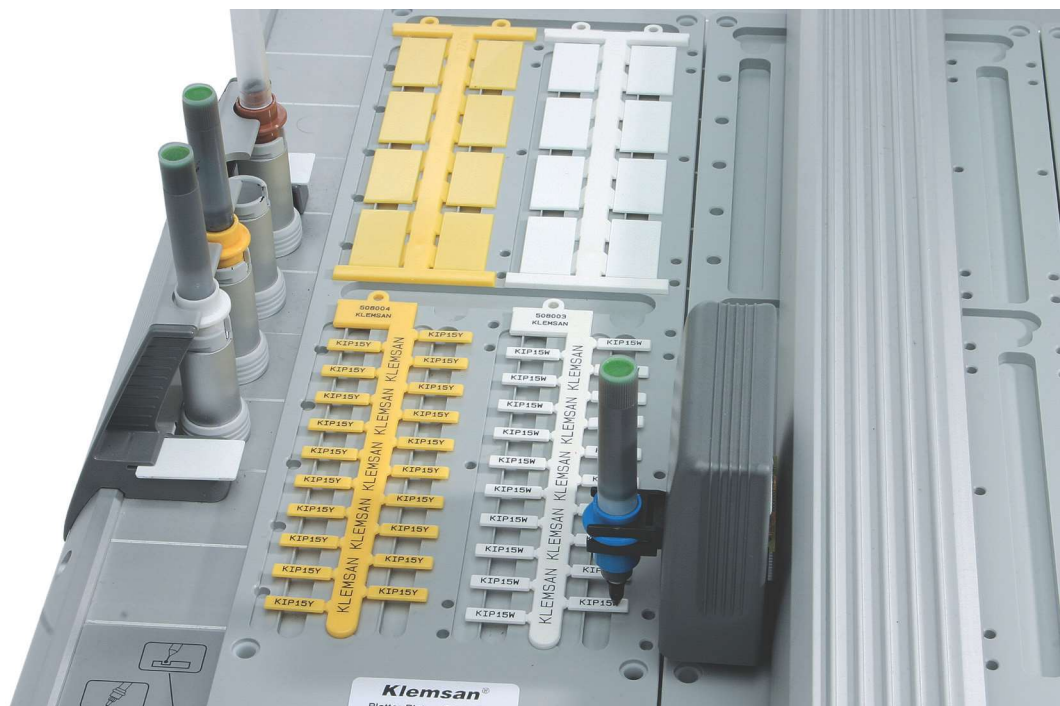
Tag Holders Selection Guide



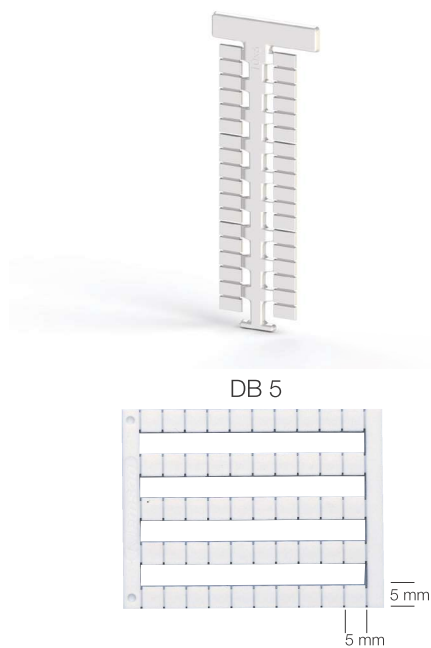
Order No	Product	T-PBIP 27x15	T-PBIP 50x15	T-PBIP 67x15
509 600	Y-PER 1730	✓		
509 601	Y-PER 1752		✓	
509 602	Y-PER 1770			✓
509 700	Y-PBR S	✓		
509 701	Y-PBR T	✓		



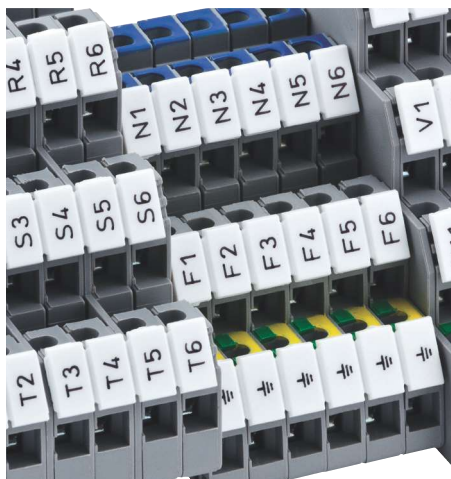
Plotter Consumables



Terminal Block Marking Tags

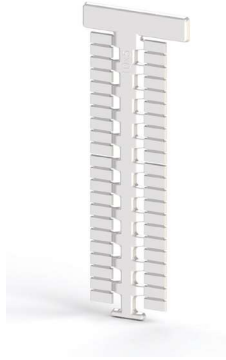


Cat. No.	Product	Print Area	Print Area (mm)	Color	Qty.
503 700	DB 7,5x4,5	Plate	7,5x4,5	White	500
505 940	DB 10/10	Plate	10x10	White	500
505 930	DB 10/8	Plate	10x8	White	500
503 000	DB 10/4	Plate	10x4	White	500
505 850	DB 5	Plate	5x5	White	500
505 910	DB 10/5	Plate	10x5	White	510
505 915	DB 10/6	Plate	10x6	White	510
505 920	DB 10/6,5	Plate	10x6,5	White	510
505 310	DG 10/5	Plate	10x5	White	440
505 320	DG 10/6	Plate	10x6	White	360
505 330	DG 6/5	Plate	6x5	White	400
505 340	DG 7/5	Plate	7x5	White	440
505 380	DG 10/5 T	Plate	10x5	White	440
505 390	DG 10/6 T	Plate	10x6	White	360
505 410	DG 10/8	Plate	10x8	White	260
505 430	DG 10/10	Plate	10x10	White	200
508 051	KOIP SM	Plate	20x9	White	240
502 000	DB 6/4	Plate	6x4	White	500

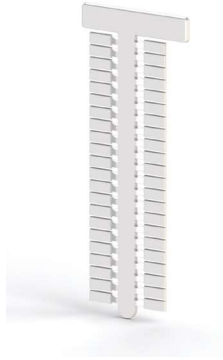


Labeling with KLM Plotter Marking for Terminal Blocks

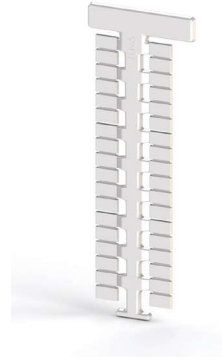
DG 10/5



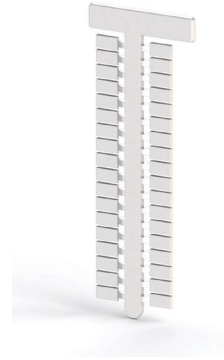
DG 10/5 T



DG 10/6



DG 10/6 T

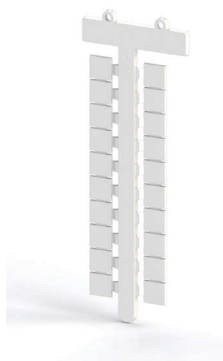


General Features				
Cat. No.	505 310	505 380	505 320	505 390
Dimensions	10 x 5	10 x 5	10 x 6	10 x 6
Quantity	440	440	360	360
Plotter Plate	PLOT PL - A	PLOT PL - A	PLOT PL - A	PLOT PL - A

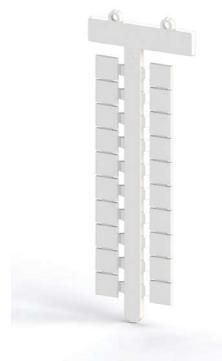
DG 6/5



DG 10/8



DG 10/10



DB 4

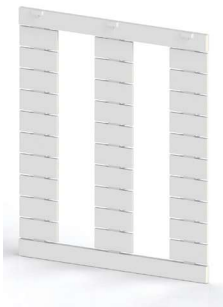


General Features				
Cat. No.	505 330	505 410	505 430	503 000
Dimensions	6 x 5	10 x 8	10 x 10	10 x 4
Quantity	400	260	200	500
Plotter Plate	PLOT PL - A	PLOT PL - A	PLOT PL - A	PLOT PL - DB 4

DB 5



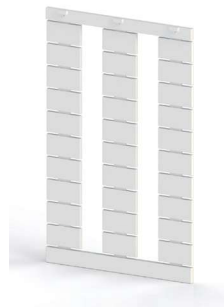
DB 10/5



DB 10/6



DB 10/6,5



General Features				
Cat. No.	505 850	505 910	505 915	505 920
Dimensions	5 x 5	10 x 5	10 x 6	10 x 6,5
Quantity	500	500	500	500
Plotter Plate	PLOT PL - DB 5	PLOT PL - DB	PLOT PL - DB	PLOT PL - DB

Cable Marking Tags



Cat. No.	Product	Type	Print Area (mm)	Color	Qty.
508 001	KIP 10 W	Plate	10x4	White	480
508 002	KIP 10 Y	Plate	10x4	Yellow	480
508 003	KIP 15 W	Plate	15x4	White	480
508 004	KIP 15 Y	Plate	15x4	Yellow	480
508 012	KIP 18 W	Plate	18x4	White	240
508 013	KIP 18 Y	Plate	18x4	Yellow	240
508 005	KIP 23 W	Plate	23x4	White	240
508 006	KIP 23 Y	Plate	23x4	Yellow	240
508 008	KIP 30 W	Plate	30x4	White	240
508 009	KIP 30 Y	Plate	30x4	Yellow	240

Cable Marking Sleeve Selection Guide



	KIP 10	KIP 15	KIP 18	KIP 23	KIP 30
KCKKS 10 Series	✓				
KCKKS 15 Series		✓			
KCKKS 18 Series			✓		
KCKKS 23 Series				✓	
KCKKS 30 Series					✓

Cable Marking Tags Marking Plates

KIP 10 W



KIP 15 W



KIP 18 W



KIP 23 W



KIP 30 W



General Features					
Cat. No.	508 001	508 003	508 012	508 005	508 008
Dimensions	10 x 4	15 x 4	18 x 4	23 x 4	30 x 4
Quantity	480	480	240	240	240
Plotter Plate	PLOT PL - A	PLOT PL - A	PLOT PL - A	PLOT PL - A	PLOT PL - A

Marking Plates					
Type	KIP 10 Y	KIP 15 Y	KIP 18 Y	KIP 23 Y	KIP 30 Y
Cat. No.	508 002	508 004	508 013	508 006	508 009
Qty.	480	480	240	240	240
Color	Yellow	Yellow	Yellow	Yellow	Yellow

Self-Adhesive Panel Labels for Contactors



Cat. No.	Product	Type	Print Area (mm)	Color	Qty.
508 051	KOIP SM W	Plate	20x9	White	240
508 057	KOIP TT W	Plate	17x8	White	240
Description					
Labelled with AVK 50, AVK 70 RD, AVK 95, AVK 150, AVK 240, AVK PB 50, AVK PB 70 RD, AVK PB 95, AVK PB 150, AVK PB 240					

* KOIP SM Series labels are compatible with Siemens contactors.

* KOIP TT Series labels are compatible with Telemec contactors.

Self-Adhesive Panel Labels

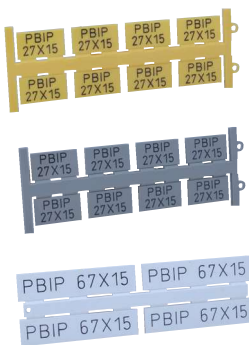


Cat. No.	Product	Type	Print Area (mm)	Color	Qty.
508 060	Y-KOIP 209 W	Plate	20x9	White	240
508 061	Y-KOIP 209 Y	Plate	20x9	Yellow	240
508 065	Y-OIP 1710 W	Plate	17x10	White	288
508 066	Y-OIP 1710 Y	Plate	17x10	Yellow	288
508 820	Y-PBIP 2715 W	Plate	27x15	White	192
508 821	Y-PBIP 2715 G	Plate	27x15	Grey	192
508 822	Y-PBIP 2715 Y	Plate	27x15	Yellow	192
508 823	Y-PBIP 5015 W	Plate	50x15	White	96
508 824	Y-PBIP 5015 G	Plate	50x15	Grey	96
508 825	Y-PBIP 5015 Y	Plate	50x15	Yellow	96
508 826	Y-PBIP 6715 W	Plate	67x15	White	96
508 827	Y-PBIP 6715 G	Plate	67x15	Grey	96
508 828	Y-PBIP 6715 Y	Plate	67x15	Yellow	96

* Y-KOIP 209 Series labels are compatible with Siemens contactors.

* Y-OIP 1710 Series labels are compatible with Telemec contactors.

Marking Tags for Panels/Buttons



Cat. No.	Product	Print Area (mm)	Type	Color	Qty.
508 800	PBIP 2715 W	27x15	Plate	White	192
508 801	PBIP 2715 G	27x15	Plate	Grey	192
508 802	PBIP 2715 Y	27x15	Plate	Yellow	192
508 803	PBIP 5015 W	50x15	Plate	White	96
508 804	PBIP 5015 G	50x15	Plate	Grey	96
508 805	PBIP 5015 Y	50x15	Plate	Yellow	96
508 806	PBIP 6715 W	67x15	Plate	White	96
508 807	PBIP 6715 G	67x15	Plate	Grey	96
508 808	PBIP 6715 Y	67x15	Plate	Yellow	96

Panel Marking Product Selection Guide

PRODUCT		PBIP 2715	PBIP 5015	PBIP 6715
	Dimensions (mm)	27x15	50x15	67x15
First Step: Select panel marking tag.	Color	White	White	White
		Grey	Grey	Grey
		Yellow	Yellow	Yellow
Second Step: Select plate carrier.	Y-PER 1730	✓		
	Y-PER 1752		✓	
	Y-PER 1770			✓
	Y-PBR T	✓		
	Y-PBR S	✓		
Third Step: Select protective cover.	PBKP 2715	✓		
	PBKP 5015		✓	
	PBKP 6715			✓

Self-Adhesive Paper Labels



Cat. No.	Product	Description	Print Area (mm)	Color	Qty.
508 520	SIT FP 4407	Paper Labels for ME3 Group Labeling	7x44	White	136
508 530	SIFX 0615 Y	Self-Adhesive Paper Label	6x15	Yellow	2.850
508 531	SIFX 0912 Y	Self-Adhesive Paper Label	9x12	Yellow	2.300
508 532	SIFX 0915 Y	Self-Adhesive Paper Label	9x15	Yellow	1.900
508 534	SIFX	Paper Labels for ME Group Labeling	6x43.8	Yellow	900

Self-Adhesive Paper Labels



Cat. No.	Product	Description	Print Area (mm)	Color	Qty.
808 412	OYE-07 Y	Self-Adhesive Label for Office Printer	7x44	White	1.560
808 413	OYE-06 Y	Self-Adhesive Label for Office Printer	38x10	Yellow	1.260
808 414	OYE-05 Y	Self-Adhesive Label for Office Printer	20x8	Yellow	3.450
808 415	OYE-03 Y	Self-Adhesive Label for Office Printer	12x9	Yellow	4.600
808 416	OYE-01 Y	Self-Adhesive Label for Office Printer	17x10	Yellow	2.880
808 417	OYE-04 Y	Self-Adhesive Label for Office Printer	15x9	Yellow	3.600
808 418	OYE-02 Y	Self-Adhesive Label for Office Printer	15x6	Yellow	5.400

Warning Labels



Cat. No.	Product	Terminals used
498 110	IP 1S	PEK 2,5;
498 120	IP 1	PEK 2,5 K
498 130	IP 2S	AVK 2.5; AVK 4; AVK 6; AVK 10; AVK 2.5 RD; AVK 4 RD; AVK 2.5 T RD; AVK 4 T RD
498 140	IP 2	AVK 2.5; AVK 4; AVK 6; AVK 10; AVK 2.5 RD; AVK 4 RD; AVK 2.5 T RD; AVK 4 T RD
498 143	IP 3S	AVK 16; AVK 16 RD; AVK 35 RD; AVK 35 T RD
498 145	IP 3	AVK 16; AVK 16 RD; AVK 35 RD; AVK 35 T RD
498 150	IP 2T	PEK 2,5 T; PEK 4 T
498 160	IP 4S	YBK 2.5; YBK 4; YBK 6; YBK 10
498 170	IP 4	YBK 2.5; YBK 4; YBK 6; YBK 10
498 240	IP 5	AVK 50 - 70RD - 95 - 150 - 240
498 250	IP 5S	AVK 50 - 70RD - 95 - 150 - 240

Product Name	DB 6/4	DB 10/4	DB5-DY5	DB 10/5	DB 10/6	DB 10/6,5	DB 7,5/4,5	DG 6/5	DG 7/5	DG 10/5	DG 10/6	DG 10/8	DG 10/10	DG 10/5T	DG 10/6T	KOIP SM W
AVK 2,5				•						•				•		
AVK 4					•						•				•	
AVK 6												•				
AVK 10													•			
AVK 16													•			
AVK 50																•
AVK 70 RD																•
AVK 95																•
AVK 150																•
AVK 240																•
AVK 2,5 RD				•						•				•		
AVK 4 RD					•						•				•	
AVK 16 RD													•			
AVK 25 RD													•			
AVK 35 RD													•			
AVK 50T																•
AVK 2,5T RD				•						•				•		
AVK 4 T RD					•						•				•	
AVK 16 T RD													•			
AVK 35 T RD													•			
AVK PB 50																•
AVK PB 70 RD																•
AVK PB 95																•
AVK PB 150																•
AVK PB 240																•
AVK 95 B													•			
AVK 150 B													•			
AVK 240 B													•			
AVK 2,5 CC				•						•				•		
AVK 4 GD			•		•			•			•				•	
AVK 10 RD 4													•			
AVK 2,5 F				•						•				•		
AVK 2,5 CF				•						•				•		
AVK 2,5 A				•						•				•		
AVK 2,5R				•						•				•		
AVK 2,5RT				•						•				•		
AVK SKT			•					•								
AVK SKTD			•					•								
AVK AS			•		•						•				•	
AVK ASD			•		•						•				•	
AVK 2,5 CCT				•						•				•		
AVK 10 T RD 4													•			
AVK 2,5 EA				•						•				•		
AVK 2,5 CCA				•						•				•		
AVK 4 FS			•					•								
AVK 2,5-4TK					•						•				•	
AVK 4A					•										•	
AVK 4CC					•						•				•	
AVK 4CCA					•						•				•	
AVK 4CE					•						•				•	
AVK 4CEA					•						•				•	
AVK Y4					•										•	
AVK Y6												•				
AVK Y10													•			
AVK 4R					•						•				•	
AVK 4RT					•						•				•	
AVK 6TK												•				
AVK 10TK													•			
AVK 35 IRDS													•			

Product Name	DB 6/4	DB 10/4	DB5-DY5	DB 10/5	DB 10/6	DB 10/6,5	DB 7,5/4,5	DG 6/5	DG 7/5	DG 10/5	DG 10/6	DG 10/8	DG 10/10	DG 10/5T	DG 10/6T	KOIP SM W	
AVK 35 RDS																	•
AVK 35T IRDS																	•
AVK 35T RDS																	•
MVK 2,5			•					•									
MVK 4			•					•									
MVK 2,5 T			•					•									
MVK 4 T			•					•									
PIK 2,5 N				•						•						•	
PIK 2,5 NK				•						•						•	
PIK 2,5 ND-A				•						•						•	
PIK 2,5 ND-B				•						•						•	
PIK 2,5 NLD				•						•						•	
PIK 4 N					•						•						•
PIK 4 NK					•						•						•
PIK 4 ND-A					•						•						•
PIK 4 ND-B					•						•						•
PIK 4 NLD					•						•						•
PIK 4 FS			•														
PIK 10 N			•														
PIK 2,5 NT				•						•						•	
PIK 4 NT					•						•						•
PUK 3			•														
PUK 2 T			•														
PUK 3 T			•														
PUK 3 S			•														
PUK 3 SLD (NPN)			•														
PUK 3 SLD (PNP)			•														
ASK 2 B			•														
ASK 2 S			•														
ASK 3 A			•		•												
ASK 3 MB			•		•												
ASK 3 FB			•		•												
ASK 4 B													•				
ASK 4 S													•				
ASK 4 LD													•				
ASK 5													•				
ASK 5B													•				
ASK 5 LD													•				
ASK 2 LD			•														
ASK 3 M			•		•												
ASK 3 MLD			•		•												
ASK 3 F			•		•												
ASK 3 FLD			•		•												
PYK 1,5 M	•																
PYK 1,5		•															
PYK 2,5				•						•						•	
PYK 4					•						•						•
PYK 6												•					
PYK 10													•				
PYK 1,5 MT	•																
PYK 2,5 T				•						•						•	
PYK 4 T					•						•						•
PYK 6 T												•					
PYK 10 T													•				
PYK 2,5-2 F				•						•						•	
PYK 2,5-2 FK				•						•						•	
PYK 2,5 - 2 FLD				•						•						•	
PYK 4 - 2 F					•						•						•
PYK 2,5 - 2 FD A				•						•						•	

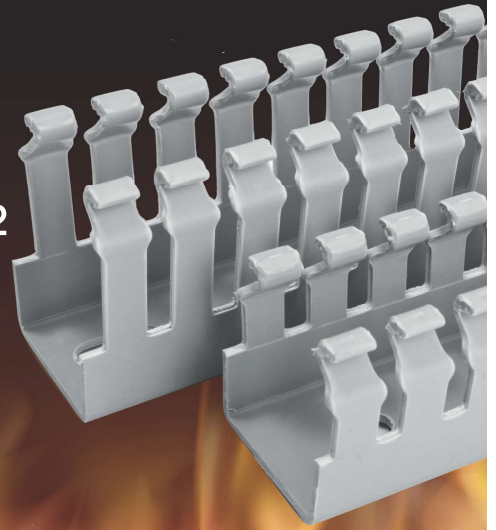
Product Name	DB 6/4	DB 10/4	DB5-DY5	DB 10/5	DB 10/6	DB 10/6,5	DB 7,5/4,5	DG 6/5	DG 7/5	DG 10/5	DG 10/6	DG 10/8	DG 10/10	DG 10/5T	DG 10/6T	KOIP SM W
PYK 2,5 - 2 FD B				•						•				•		
PYK 2,5 - 3 F				•						•				•		
PYK 2,5 - 2 FT				•						•				•		
PYK 2,5 - 3 FT				•						•				•		
PYK 3 S				•						•				•		
PYK 3 SLD (NPN)				•						•				•		
PYK 3 SLD (PNP)				•						•				•		
PYK 4 S			•									•				
PYK 4 I			•									•				
PYK 4 ILD			•									•				
PYK 4 SLD			•									•				
PYK 2,5 A				•						•				•		
PYK 2,5 EA				•						•				•		
PYK 2,5 CCA				•						•				•		
PYK 2,5 E				•						•				•		
PYK 2,5 ET				•						•				•		
PYK 1,5 MC	•															
PYK 1,5 MCT	•															
PYK 1,5 ME	•															
PYK 1,5 MET	•															
PYK 2,5 C				•						•				•		
PYK 2,5 CT				•						•				•		
PYK 4 E					•						•				•	
YBK 2,5				•						•				•		
YBK 4					•						•				•	
YBK 6												•				
YBK 10													•			
YBK 2,5 T				•						•				•		
YBK 4 T					•						•				•	
YBK 6 T												•				
YBK 10 T													•			
MYK 2,5			•					•								
MYK 2,5 C			•					•								
MYKR 2,5			•					•								
MYKR 2,5 C			•					•								
MYK 2,5 T			•					•								
MYPK 2,5			•					•								
MYPK 2,5 C			•					•								
MYSK 2,5			•					•								
YBK 2,5-2 F			•					•								
YBK 2,5-2 FK			•					•								
YBK 2,5-2 FD-A			•					•								
YBK 2,5-2 FD-B			•					•								
YBK 2,5-2 FLD			•					•								
YBK 4-2 F					•						•				•	
YBK 4-2 FK					•						•				•	
YBK 4-2 FD-A					•						•				•	
YBK 4-2 FD-B					•						•				•	
YBK 4-2 FLD					•						•				•	
YBK 2,5-3 F			•					•								
YBK 2,5-2 FT			•					•								
YBK 2,5-3 FLD (NPN)			•					•								
YBK 2,5-3 FLD (PNP)			•					•								
YBK 3 S			•					•								
YBK 3 SLD (NPN)			•					•								
YBK 3 SLD (PNP)			•					•								
YBK S			•					•								
YBK SB			•					•								
YBK SLD			•					•								

Product Name	DB 6/4	DB 10/4	DB5-DY5	DB 10/5	DB 10/6	DB 10/6,5	DB 7,5/4,5	DG 6/5	DG 7/5	DG 10/5	DG 10/6	DG 10/8	DG 10/10	DG 10/5T	DG 10/6T	KOIP SM W
YBK 2,5 A				•						•				•		
YBK I			•					•								
YBK IB			•					•								
YBK ILD			•					•								
YBK 2,5 E				•						•				•		
YBK 2,5 C				•						•				•		
YBK 2,5 CX2				•						•				•		
YBK 2,5 CD				•						•				•		
YBK 2,5 CLD				•						•				•		
YBK 2,5 CT				•						•				•		
YBK 2,5 ET				•						•				•		
PCY 2,5			•					•								
PCY 2,5 N			•					•								
PCY 2,5 E			•					•								
PCY 2,5 L			•					•								
PCY 2,5 EL			•					•								
PB 2,5					•						•				•	
PB 2,5T					•						•				•	
PB 2,5K					•						•				•	
PB 6												•				
PB 6K												•				
PB 25_M5													•			
PB 25_M6													•			
PB 6 T												•				
CPB 6			•					•								
CPB 6B			•					•								
WGO 1												•				
WGO 2 N													•			
WGO 2 IR													•			
WGO 3												•				
WGO 4												•				
WGO 5												•				
WGL 1												•				
WGO Y 6												•				
WGO YD 6												•				
WGO PB 6												•				
WGO PBD 6												•				
PYKM 2,5			•	•				•						•		
PYKM 2,5 T			•	•				•						•		
PYKMR 2,5			•	•				•						•		
AYK 10/16			•					•								
TRV 4							•		•							
TRV 4 B							•		•							
TRV 4 M							•		•							
TRV 4 S			•				•	•	•							
TRV 4 T							•		•							
TRV 10							•		•							
WG - Eki					•						•				•	
CPB 6U			•					•								

Slotted Wiring Ducts

HALOGEN FREE Wiring Ducts

- Low Smoke
- Halogen Free
Zero Halogen
- Complying EN45545-2
for Railway Industry
(R22-R23, HL3)
- Material: PC-ABS



- Flame-retardant, self-extinguishing according to UL94-V0
- EN50085-2-3-approved
- Colour: Light Grey: RAL 7035
- Temperature range from -25 °C to +90 °C

Preferred and applied in public areas, such as;



Hospitals



Multistory and
High Buildings



Mining Facilities



Railway Industries



Marine Industries



Hotels



Laboratories



Schools



Airplanes



Cinema and Theater
Halls



Subway and Highway
Tunnels



Shopping Centers



Airport Terminals

Slotted Wiring Ducts

Halogen Free For **Highest Safety**



Why Low Smoke **Halogen Free (LSHF)** products?

When PVC or other traditional plastics ignite in a fire, they emit corrosive & toxic gases like Chlorine. Moreover, these are soluble in moisture, forming Hydrochloric acid, which destroy electronics, semiconductors and intrinsic electrical circuits.

It can be fatally hazardous to humans if they cannot escape from the smoky area contaminated with toxic elements. Toxic fumes are not only a serious health risk but also cause serious damage and problems to crucial machineries.

The Difference Between **PVC** and **PC/ABS**

Due to its high level of flame-retardancy, PVC has been used as an appropriate cable insulation material for many years. However, in the event of a fire this will generate dense black smoke, with toxic and corrosive gases that can cause fatality and destruction.

✔ PC/ABS passes the Halogen free tests and Low Smoke tests **successfully**.

Halogen Free wires and cables are already compulsory in many areas as they are safer. In the same way, Halogen Free Wiring Duct is especially important to be used in closed areas where the exits are limited; such as Public Transport, Hospitals, Malls etc.

PVC generates **dense black smoke** when it burns



EN 45545-2 European Union Standards Fire Testing to Railway Components



KLEMSAN offers a wide range of Wiring Ducts in materials that are compliant with the smoke generation and toxicity requirements of the **EN 45545-2** European Railway Standards for fire safety classes **R22 - R23** and Hazard Levels **HL1 - HL2 - HL3**.

Vehicles are classified as: HL1, HL2 or HL3, depending on their time in tunnels and the availability of sleeping cars. The HL1 classification represents the lowest hazard level and HL3 represents the highest. Please refer to EN 45545-2 for definitions.



LSHF Material Properties - **PC/ABS** Raw Material



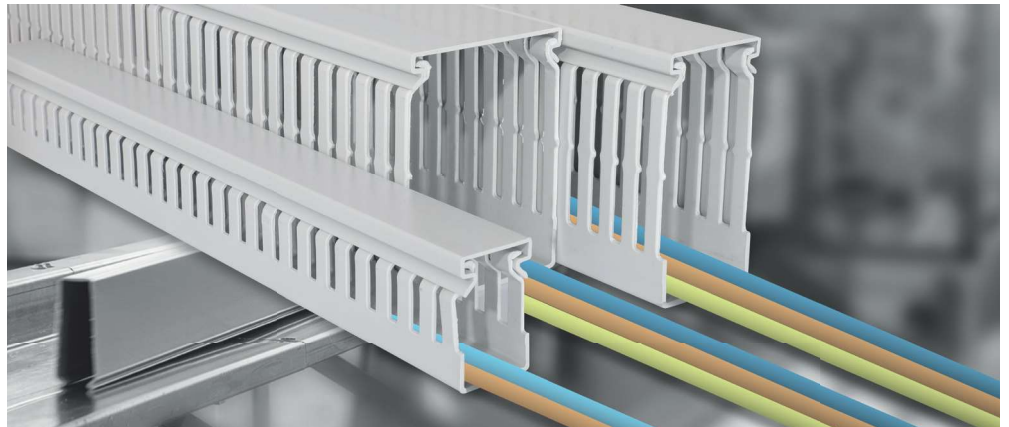
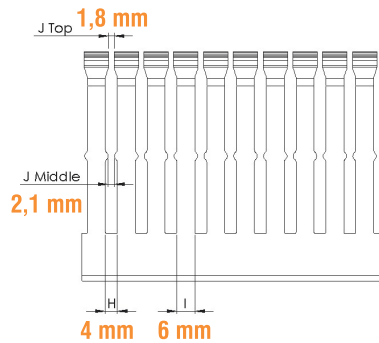
Our Halogen Free Wiring Ducts are made of a special purpose LSHF and flame retardant PC/ABS blend containing **NO Bromide, NO Chlorine and NO Fluorine**. It still offers high impact resistance and excellent characteristics used for higher temperature applications. These are in compliance with **EN 45545-2** European Union Standards.

LSHF material also has characteristics of self-extinguishing, UL94 flammability rating of V-0. It is RoHS compliant, environmentally safe and is 20% lighter than PVC.

Our LSHF material is resistant to abnormal heat and fire. It has proven dimensional stability between **-25 °C / + 90 °C**. Also, the Halogen Free Wiring Ducts are manufactured in compliance with the Standard EN 50085-2-3. Ideal for applications where public safety during a fire is a concern.

Slotted Wiring Ducts

LSHF (Low Smoke Halogen Free) - Wiring Ducts



Cat. No.	Product	Size WxH (mm)	Color	Qty.
540 010	KHF 2530 Wiring Duct	25X30	Grey	46x2 m
540 020	KHF 2540 Wiring Duct	25X40	Grey	50x2 m
540 030	KHF 2560 Wiring Duct	25X60	Grey	30x2 m
540 060	KHF 4040 Wiring Duct	40X40	Grey	24x2 m
540 070	KHF 4060 Wiring Duct	40X60	Grey	18x2 m
540 080	KHF 4080 Wiring Duct	40X80	Grey	20x2 m
540 100	KHF 6040 Wiring Duct	60X40	Grey	18x2 m
540 110	KHF 6060 Wiring Duct	60X60	Grey	12x2 m
540 120	KHF 6080 Wiring Duct	60X80	Grey	12x2 m
540 150	KHF 8060 Wiring Duct	80X60	Grey	14x2 m
540 160	KHF 8080 Wiring Duct	80X80	Grey	10x2 m

- Excellent fire-safety characteristics.
- Smooth, burr-free edges protect installers from injury and wires from damage.
- Ribs can be removed easily thanks to upper scorlines.
- Lower scorlines at base of sidewall allow cutting out and removing sections of sidewall with no sharp edges.
- Duct covers hold securely even in a vertical position and under vibration.

• **Wiring duct covers are included the package.**

LSHF - Wiring Duct Covers



HFK 25mm



HFK 60mm

Cat. No.	Product	Size (mm)	Color
540 600	HFK 25mm Wiring Duct Cover	25	Grey
540 610	HFK 40mm Wiring Duct Cover	40	Grey
540 620	HFK 60mm Wiring Duct Cover	60	Grey
540 630	HFK 80mm Wiring Duct Cover	80	Grey



REACH
CERTIFIED



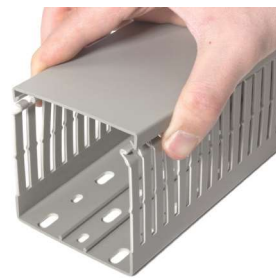
Slotted Wiring Ducts

Klemsan “Trunkie” PVC Wiring Ducts



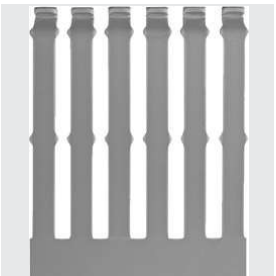
Solutions Which Simplify Wiring

- Now wire management is much easier.
- You can easily mount wire retainers on the bottom rail of the duct without screw and slide them along the rail.



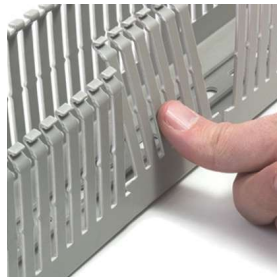
Durability and Reliability

- Assembly or disassembly of the covers is the most difficult operation when ducts are fully wired, design of Trunkie speeds up your work.
- Trunkie enables the customer to use the maximum inner space of the duct and keeps the rigidity even at maximum load of cables.



Appearance

- Special rib pattern allows the end-user to make cable grouping easier.



Speed and Efficiency

- Furthermore, Trunkie helps you save time while breaking off ribs in groups.
- Without using any hand tools,

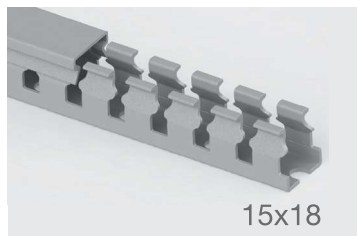
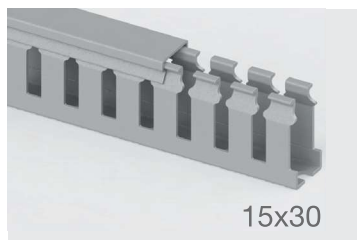
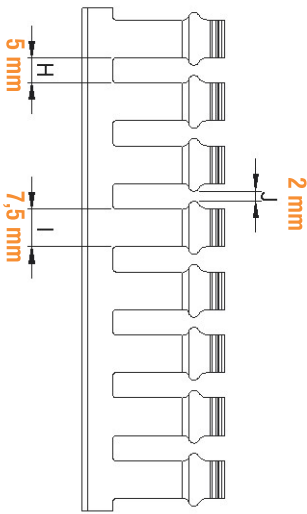
simply bend the duct ribs to 60° - 90°

and easily break them inside the panel.

Slotted Wiring Ducts

PVC Wiring Ducts Product Range

MEDIUM Slotted



Self-adhesive

Cat. No.	Product	Size WxH (mm)	Color	Qty.
551 060YP	KKC 1518	15x18	Grey	122x2 m
551 070YP	KKC 1530	15x30	Grey	104x2 m
551 080YP	KKC 1540	15x40	Grey	80x2 m
551 090YP	KKC 1560	15x60	Grey	42x2 m
551 060	KKC 1518	15x18	Grey	126x2 m
551 070	KKC 1530	15x30	Grey	106x2 m
551 080	KKC 1540	15x40	Grey	80x2 m
551 090	KKC 1560	15x60	Grey	42x2 m

- No lower scorline available for this range.
- Upper scorline is available for breaking off the ribs.
- Operating Temperature: -5°C to 60°C
- Standard Length: 2 meters
- Color Option: RAL 7030 Grey
- Complies with RoHS regulations.
- Complies with IEC 60695-2-1 and EN 50085-2-3 standards.

• **Wiring duct covers are included the package.**



Low Smoke Halogen Free

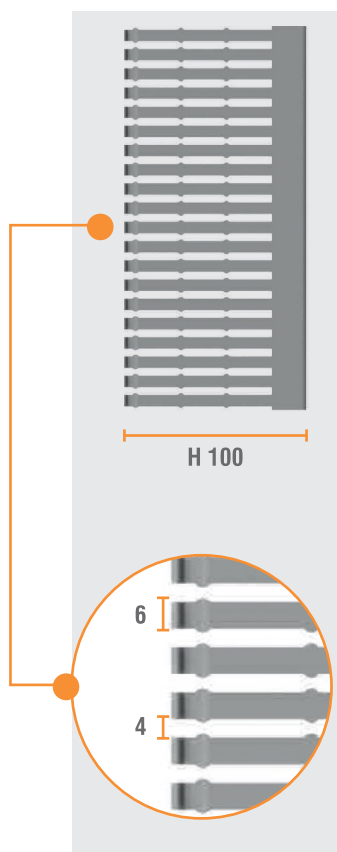
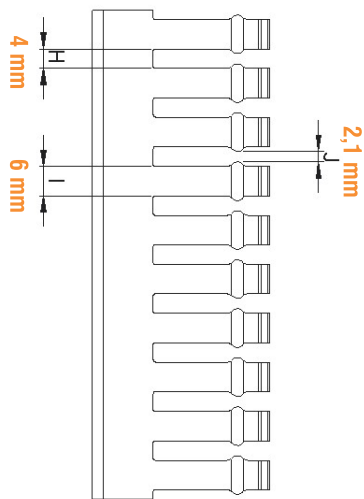
Cat. No.	Type	Description	Size (mm)									
			A	B	C	D	E	F	G	H	I	J
540 010	KHF 2530	HF Wiring Duct	25	26,6	30	8,00	1,55	1,55	9,55	4	6	Top 1,8 - Middle 2,1
540 020	KHF 2540	HF Wiring Duct	25	36,8	40	10,00	1,60	1,60	11,60	4	6	
540 030	KHF 2560	HF Wiring Duct	25	56,8	60	12,00	1,60	1,60	13,60	4	6	
540 060	KHF 4040	HF Wiring Duct	40	36,9	40	10,00	1,60	1,60	11,60	4	6	
540 070	KHF 4060	HF Wiring Duct	40	56,9	60	12,00	1,60	1,60	13,60	4	6	
540 080	KHF 4080	HF Wiring Duct	40	76,9	80	14,00	1,80	1,80	15,80	4	6	
540 100	KHF 6040	HF Wiring Duct	60	37,0	40	10,00	1,60	1,60	11,60	4	6	
540 110	KHF 6060	HF Wiring Duct	60	57,1	60	12,00	1,80	1,80	13,80	4	6	
540 120	KHF 6080	HF Wiring Duct	60	77,1	80	14,00	1,90	1,90	15,90	4	6	
540 150	KHF 8060	HF Wiring Duct	80	57,1	60	12,00	1,80	1,80	13,80	4	6	
540 160	KHF 8080	HF Wiring Duct	80	77,1	80	14,00	2,00	2,00	16,00	4	6	



Slotted Wiring Ducts

PVC Wiring Ducts Product Range

NARROW Slotted



Cat. No.	Product	Size WxH (mm)	Color	Qty.
551 010	KKC 2530	25x30	Grey	50x2 m
551 011	KKC 2540	25x40	Grey	50x2 m
551 012	KKC 2560	25x60	Grey	30x2 m
551 030	KKC 2580	25x80	Grey	28x2 m
551 031	KKC 2510	25x100	Grey	22x2 m
551 013	KKC 4040	40x40	Grey	26x2 m
551 014	KKC 4060	40x60	Grey	18x2 m
551 015	KKC 4080	40x80	Grey	20x2 m
551 032	KKC 4010	40x100	Grey	14x2 m
551 016	KKC 6040	60x40	Grey	18x2 m
551 017	KKC 6060	60x60	Grey	12x2 m
551 018	KKC 6080	60x80	Grey	12x2 m
551 033	KKC 6010	60x100	Grey	18x2 m
551 034	KKC 8040	80x40	Grey	18x2 m
551 019	KKC 8060	80x60	Grey	14x2 m
551 020	KKC 8080	80x80	Grey	10x2 m
551 035	KKC 8010	80x100	Grey	12x2 m
551 021	KKC 1006	100x60	Grey	10x2 m
551 022	KKC 1008	100x80	Grey	8x2 m
551 036	KKC 1001	100x100	Grey	12x2 m
551 023	KKC 1206	120x60	Grey	8x2 m
551 024	KKC 1208	120x80	Grey	6x2 m
551 025	KKC 1201	120x100	Grey	10x2 m
551 040	KKC 1501	150x100	Grey	8x2 m

- Upper scorline is available for breaking off the ribs.
- Lower scorline is available.
- Operating Temperature: -5°C to 60°C
- Standard Length: 2 meters
- Color Option: RAL 7030 Grey
- Complies with RoHS regulations.
- Complies with IEC 60695-2-12 and EN 50085-2-3 standards.

• *Wiring duct covers are included the package.*

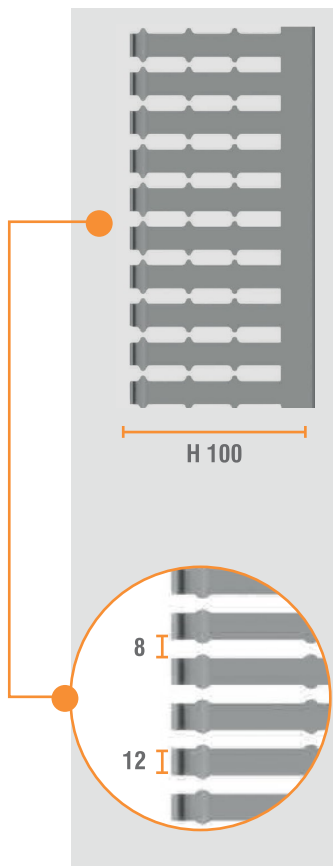
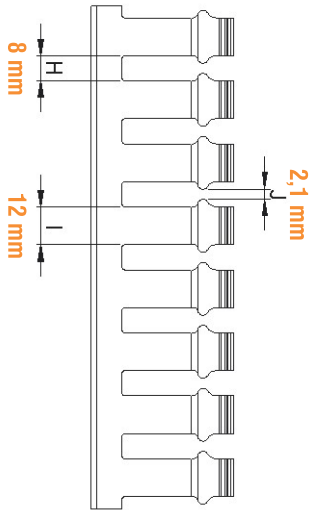


Color			
Color code is the last digit of the order number			
Blue	Black	White	Grey
.....BLBKWBG

Slotted Wiring Ducts

PVC Wiring Ducts Product Range

WIDE Slotted



Cat. No.	Product	Size WxH (mm)	Color	Qty.
551 014WS	KKC 4060	40x60	Grey	18x2 m
551 015WS	KKC 4080	40x80	Grey	20x2 m
551 032WS	KKC 4010	40x100	Grey	14x2 m
551 017WS	KKC 6060	60x60	Grey	12x2 m
551 018WS	KKC 6080	60x80	Grey	12x2 m
551 033WS	KKC 6010	60x100	Grey	18x2 m
551 019WS	KKC 8060	80x60	Grey	14x2 m
551 020WS	KKC 8080	80x80	Grey	10x2 m
551 035WS	KKC 8010	80x100	Grey	12x2 m
551 021WS	KKC 1006	100x60	Grey	10x2 m
551 022WS	KKC 1008	100x80	Grey	8x2 m
551 036WS	KKC 1001	100x100	Grey	12x2 m
551 023WS	KKC 1206	120x60	Grey	8x2 m
551 024WS	KKC 1208	120x80	Grey	6x2 m
551 025WS	KKC 1201	120x100	Grey	10x2 m
551 040WS	KKC 1501	150x100	Grey	8x2 m

- Upper scorline is available for breaking off the ribs.
- Lower scorline is available.
- Operating Temperature: -5°C to 60°C
- Standard Length: 2 meters
- Color Option: RAL 7030 Grey
- Complies with RoHS regulations.
- Complies with IEC 60695-2-1 and EN 50085-2-3 standards.

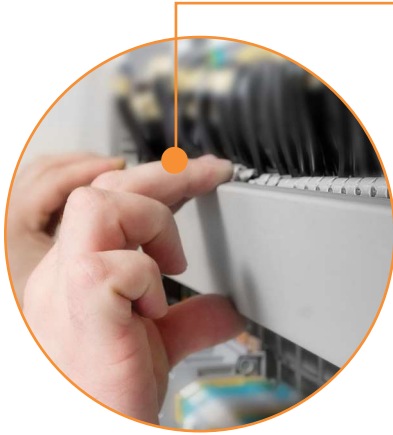
• *Wiring duct covers are included the package.*



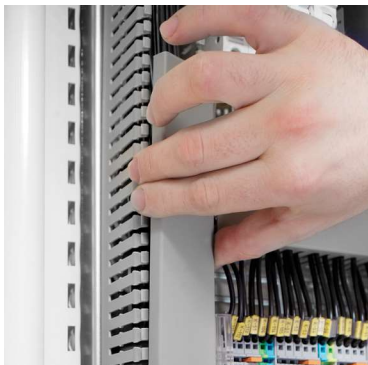
Slotted Wiring Ducts

PVC Wiring Ducts Product Range

Wiring Ducts Covers



Cat. No.	Product	Size (mm)	Color	Description	Qty.
551 049	KKK 15	15	Grey	KKK 15 mm Wiring Duct Cover	10x2 m
551 050	KKK 25	25	Grey	KKK 25 mm Wiring Duct Cover	10x2 m
551 051	KKK 40	40	Grey	KKK 40 mm Wiring Duct Cover	10x2 m
551 052	KKK 60	60	Grey	KKK 60 mm Wiring Duct Cover	10x2 m
551 053	KKK 80	80	Grey	KKK 80 mm Wiring Duct Cover	10x2 m
551 054	KKK 100	100	Grey	KKK 100 mm Wiring Duct Cover	10x2 m
551 055	KKK 120	120	Grey	KKK 120 mm Wiring Duct Cover	10x2 m
551 056	KKK 150	150	Grey	KKK 150 mm Wiring Duct Cover	10x2 m

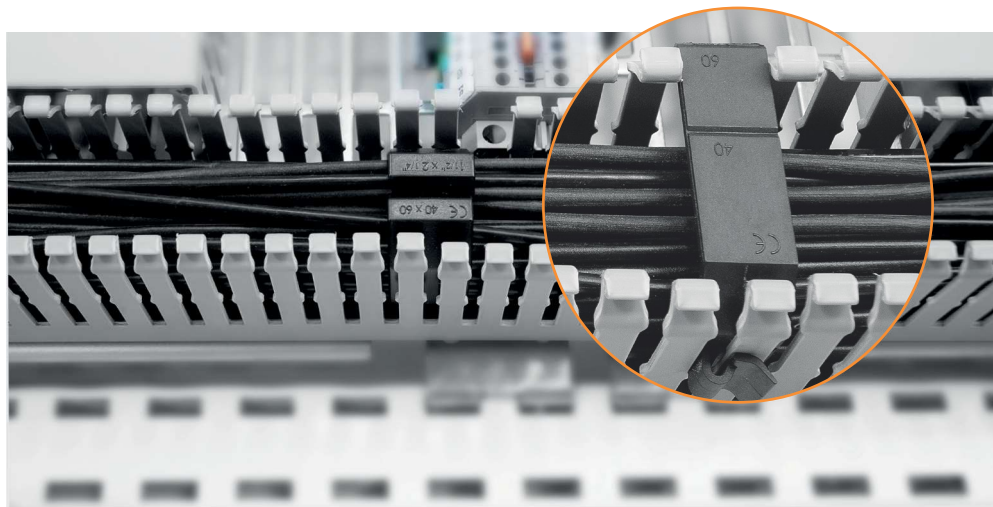


Color			
Color code is the last digit of the order number			
Blue	Black	White	Grey
.....BLBKWBG

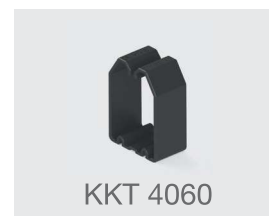
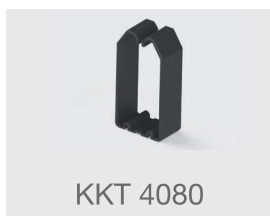
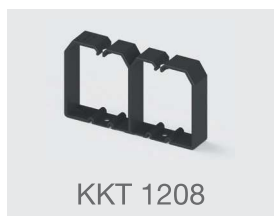
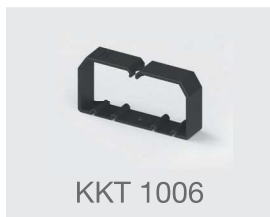
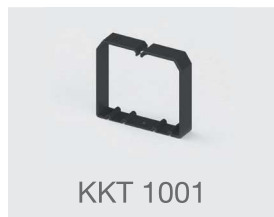
Slotted Wiring Ducts

PVC Wiring Ducts Product Range

Wiring Ducts Accessories



Cat. No.	Product	Color	Description	Qty.
553 315	KKT 4040	Black	Wire Retainer	10
553 325	KKT 4060	Black	Wire Retainer	10
553 335	KKT 6080	Black	Wire Retainer	10
553 345	KKT 4080	Black	Wire Retainer	10
553 355	KKT 6040	Black	Wire Retainer	10
553 365	KKT 6060	Black	Wire Retainer	10
553 375	KKT 6010	Black	Wire Retainer	10
553 385	KKT 8060	Black	Wire Retainer	10
553 395	KKT 1006	Black	Wire Retainer	10
553 425	KKT 1206	Black	Wire Retainer	10
553 435	KKT 8080	Black	Wire Retainer	10
553 445	KKT 8010	Black	Wire Retainer	10
553 455	KKT 1008	Black	Wire Retainer	10
553 465	KKT 1001	Black	Wire Retainer	10
553 475	KKT 1208	Black	Wire Retainer	10
553 485	KKT 1201	Black	Wire Retainer	10
553 500	SETR	-	Setting Tool for Rivets	1
553 600	PPE 6.5	Grey	Rivets	100
553 405	KKB	Black	Cable Clamp	10
553 415	KKM	Black	Cable Holder	10



Slotted Wiring Ducts

PVC Wiring Ducts Product Range

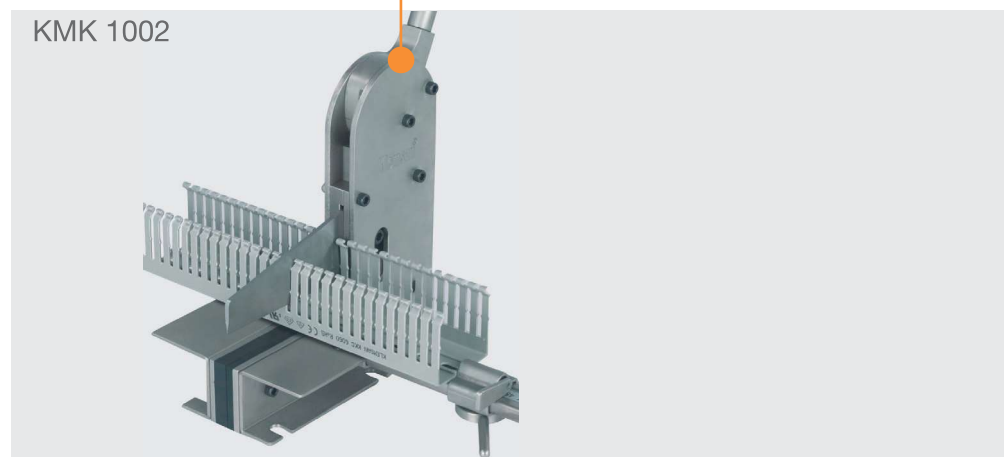
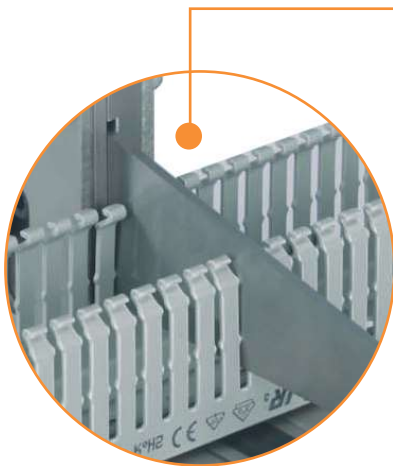
Wiring Duct Cutters



KKMR

Cat. No.	Product	Description	Qty.
553 230	KKMR	Wiring Duct Cutter (Hand Tool)	1

- Burr-free cutting of wiring ducts and wiring duct covers
- Straight or 45° cutting options
- Equal force distribution across blades helps homogenous cutting
- Cutting up to 100 mm width



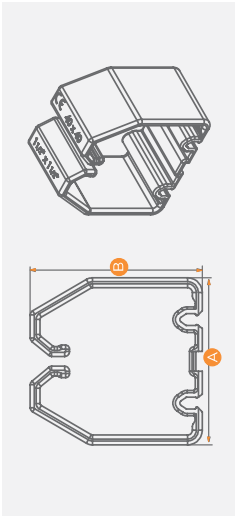
Cat. No.	Product	Description	Qty.
553 220	KMK 1002	Wiring Duct Cutting Tool up to 120 mm	1

- Cover cutting
- Burr-free cutting
- Long-lived knife
- Length adjustment guide
- Cutting up to 120 mm width

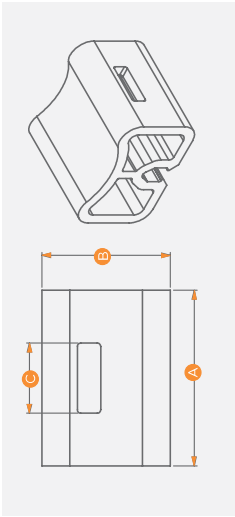
Slotted Wiring Ducts

Technical Specifications

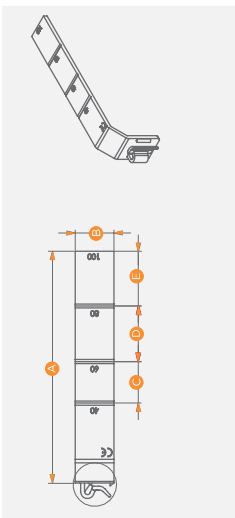
Wire Retainer



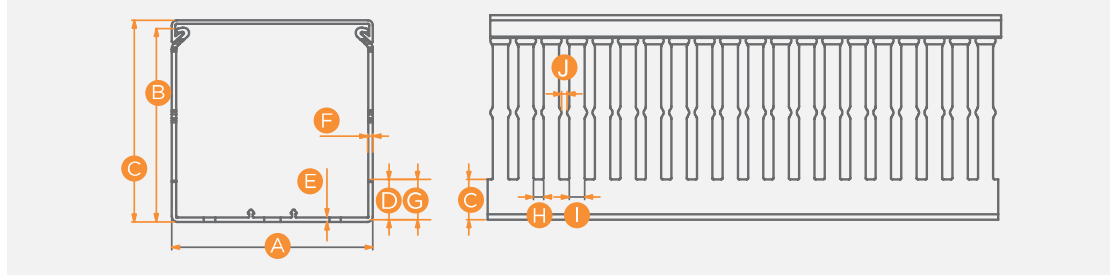
Cable Clamp



Cable Holder



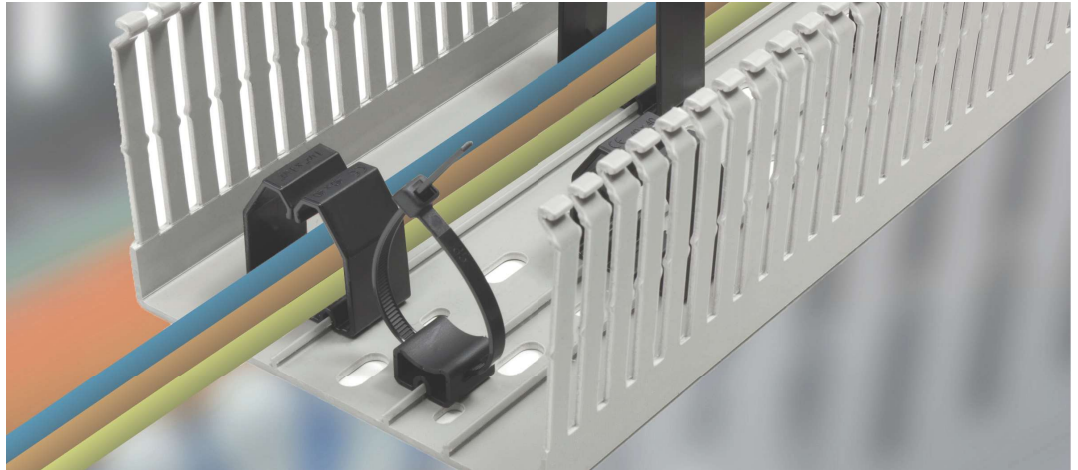
Wiring Duct



Cat. No.	Type	Description	Size (mm)									
			A	B	C	D	E	F	G	H	I	J
551 060	KKC 1518 - Medium	Wiring Duct	15	16,3	18	3,50	1,00	1,00	4,50	5	7,5	2
551 070	KKC 1530 - Medium	Wiring Duct	15	28,3	30	5,00	1,10	1,10	6,10	5	7,5	2
551 080	KKC 1540 - Medium	Wiring Duct	15	38,3	40	9,00	1,20	1,20	10,20	5	7,5	2
551 090	KKC 1560 - Medium	Wiring Duct	15	58,3	60	11,00	1,40	1,40	12,40	5	7,5	2
551 100	KKC 2530 - Narrow	Wiring Duct	25	26,4	30	10,00	1,40	1,40	11,40	4	6	2,1
551 110	KKC 2540 - Narrow	Wiring Duct	25	36,2	40	11,00	1,40	1,40	12,40	4	6	2,1
551 120	KKC 2560 - Narrow	Wiring Duct	25	56,4	60	12,00	1,60	1,60	13,60	4	6	2,1
551 030	KKC 2580 - Narrow	Wiring Duct	25	76,8	80	14,00	1,80	1,80	15,80	4	6	2,1
551 031	KKC 2510 - Narrow	Wiring Duct	25	96,6	100	16,00	1,90	1,90	17,90	4	6	2,1
551 013	KKC 4040 - Narrow	Wiring Duct	40	36,5	40	11,00	1,40	1,40	12,40	4	6	2,1
551 014	KKC 4060 - Narrow	Wiring Duct	40	56,5	60	12,00	1,60	1,60	13,60	4	6	2,1
551 015	KKC 4080 - Narrow	Wiring Duct	40	76,8	80	14,00	1,80	1,80	15,80	4	6	2,1
551 032	KKC 4010 - Narrow	Wiring Duct	40	96,9	100	16,00	1,90	2,00	17,90	4	6	2,1
551 016	KKC 6040 - Narrow	Wiring Duct	60	36,8	40	11,00	1,60	1,60	12,60	4	6	2,1
551 017	KKC 6060 - Narrow	Wiring Duct	60	56,8	60	12,00	1,80	1,80	13,80	4	6	2,1
551 018	KKC 6080 - Narrow	Wiring Duct	60	76,7	80	14,00	1,80	1,80	15,80	4	6	2,1
551 033	KKC 6010 - Narrow	Wiring Duct	60	96,9	100	16,00	2,00	2,00	18,00	4	6	2,1
551 034	KKC 8040 - Narrow	Wiring Duct	80	36,8	40	11,00	1,60	1,60	12,60	4	6	2,1
551 019	KKC 8060 - Narrow	Wiring Duct	80	57,0	60	12,00	1,80	1,80	13,80	4	6	2,1
551 020	KKC 8080 - Narrow	Wiring Duct	80	77,1	80	14,00	1,80	1,80	15,80	4	6	2,1
551 035	KKC 8010 - Narrow	Wiring Duct	80	97,2	100	16,00	2,20	2,20	18,20	4	6	2,1
551 021	KKC 1006 - Narrow	Wiring Duct	100	57,3	60	12,00	2,00	2,00	14,00	4	6	2,1
551 022	KKC 1008 - Narrow	Wiring Duct	100	77,2	80	14,00	2,00	2,00	16,00	4	6	2,1
551 036	KKC 1001 - Narrow	Wiring Duct	100	97,2	100	16,00	2,20	2,30	18,20	4	6	2,1
551 023	KKC 1206 - Narrow	Wiring Duct	120	57,6	60	12,00	2,30	2,00	14,30	4	6	2,1
551 024	KKC 1208 - Narrow	Wiring Duct	120	77,5	80	14,00	2,30	2,00	16,30	4	6	2,1
551 025	KKC 1201 - Narrow	Wiring Duct	120	97,5	100	16,00	2,40	2,40	18,40	4	6	2,1
551 040	KKC 1501 - Narrow	Wiring Duct	150	98,1	100	16,00	2,70	2,70	18,70	4	6	2,1

Slotted Wiring Ducts

Technical Specifications



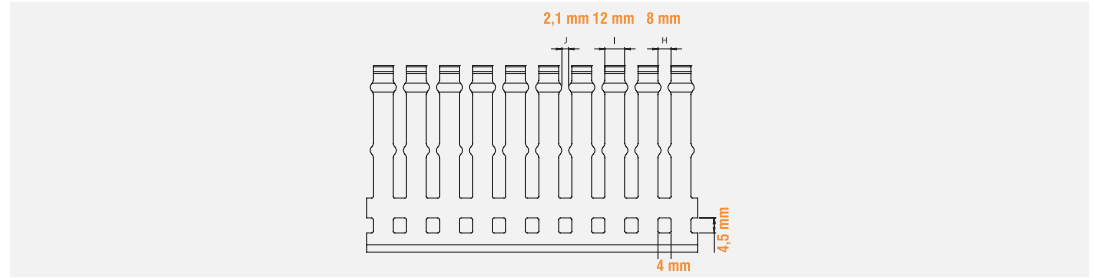
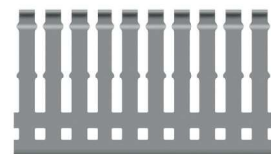
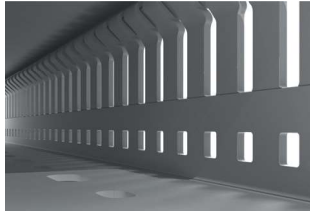
Cat. No.	Type	Description	Size (mm)									
			A	B	C	D	E	F	G	H	I	J
551 014WS	KKC 4060 - Wide	Wiring Duct	40	56,5	60	12,00	1,60	1,60	13,60	8	12	2,1
551 015WS	KKC 4080 - Wide	Wiring Duct	40	76,8	80	14,00	1,80	1,80	15,80	8	12	2,1
551 032WS	KKC 4010 - Wide	Wiring Duct	40	96,9	100	16,00	1,90	2,00	17,90	8	12	2,1
551 017WS	KKC 6060 - Wide	Wiring Duct	60	56,8	60	12,00	1,80	1,80	13,80	8	12	2,1
551 018WS	KKC 6080 - Wide	Wiring Duct	60	76,7	80	14,00	1,80	1,80	15,80	8	12	2,1
551 033WS	KKC 6010 - Wide	Wiring Duct	60	96,9	100	16,00	2,00	2,00	18,00	8	12	2,1
551 019WS	KKC 8060 - Wide	Wiring Duct	80	57,0	60	12,00	1,80	1,80	13,80	8	12	2,1
551 020WS	KKC 8080 - Wide	Wiring Duct	80	77,1	80	14,00	1,80	1,80	15,80	8	12	2,1
551 035WS	KKC 8010 - Wide	Wiring Duct	80	97,2	100	16,00	2,20	2,20	18,20	8	12	2,1
551 021WS	KKC 1006 - Wide	Wiring Duct	100	57,3	60	12,00	2,00	2,00	14,00	8	12	2,1
551 022WS	KKC 1008 - Wide	Wiring Duct	100	77,2	80	14,00	2,00	2,00	16,00	8	12	2,1
551 036WS	KKC 1001 - Wide	Wiring Duct	100	97,2	100	16,00	2,20	2,30	18,20	8	12	2,1
551 023WS	KKC 1206 - Wide	Wiring Duct	120	57,6	60	12,00	2,30	2,00	14,30	8	12	2,1
551 024WS	KKC 1208 - Wide	Wiring Duct	120	77,5	80	14,00	2,30	2,00	16,30	8	12	2,1
551 025WS	KKC 1201 - Wide	Wiring Duct	120	97,5	100	16,00	2,40	2,40	18,40	8	12	2,1
551 040WS	KKC 1501 - Wide	Wiring Duct	150	98,1	100	16,00	2,70	2,70	18,70	8	12	2,1



PVC Wiring Duct with Additional Holes (Wide Slotted)

Technical Specifications

Wiring Duct



Cat. No.	Type	Description	Size (mm)											
			A	B	C	D	E	F	G	H	I	J	K	L
555 2530	KKD 2530 - Narrow	Wiring Duct	25	26,4	30	11,00	1,40	1,40	12,40	4	6	2,10	3,00	4,00
555 2540	KKD 2540 - Narrow	Wiring Duct	25	36,2	40	14,60	1,40	1,40	16,00	4	6	2,10	4,50	4,00
555 2560	KKD 2560 - Narrow	Wiring Duct	25	56,4	60	14,90	1,60	1,60	16,50	4	6	2,10	4,50	4,00
555 2580	KKD 2580 - Narrow	Wiring Duct	25	76,8	80	17,20	1,80	1,80	19,00	4	6	2,10	4,50	4,00
555 2510	KKD 2510 - Narrow	Wiring Duct	25		100	17,20	1,90	1,90	19,10	4	6	2,10	4,50	4,00
555 4040	KKD 4040 - Narrow	Wiring Duct	40	36,5	40	14,60	1,40	1,40	16,00	4	6	2,10	4,50	4,00
555 4060	KKD 4060 - Narrow	Wiring Duct	40	56,5	60	14,90	1,60	1,60	16,50	4	6	2,10	4,50	4,00
555 4080	KKD 4080 - Narrow	Wiring Duct	40	76,8	80	17,20	1,80	1,80	19,00	4	6	2,10	4,50	4,00
555 4010	KKD 4010 - Narrow	Wiring Duct	40	96,9	100	17,20	1,90	2,00	19,10	4	6	2,10	4,50	4,00
555 6040	KKD 6040 - Narrow	Wiring Duct	60	36,8	40	14,20	1,60	1,60	16,00	4	6	2,10	4,50	4,00
555 6060	KKD 6060 - Narrow	Wiring Duct	60	56,8	60	14,70	1,80	1,80	16,50	4	6	2,10	4,50	4,00
555 6080	KKD 6080 - Narrow	Wiring Duct	60	76,7	80	17,20	1,80	1,80	19,00	4	6	2,10	4,50	4,00
555 6010	KKD 6010 - Narrow	Wiring Duct	60	96,9	100	17,10	2,00	2,00	19,10	4	6	2,10	4,50	4,00
555 8040	KKD 8040 - Narrow	Wiring Duct	80	36,8	40	14,20	1,60	1,60	16,00	4	6	2,10	4,50	4,00
555 8060	KKD 8060 - Narrow	Wiring Duct	80	57,00	60	14,70	1,80	1,80	16,50	4	6	2,10	4,50	4,00
555 8080	KKD 8080 - Narrow	Wiring Duct	80	77,1	80	17,20	1,80	1,80	19,00	4	6	2,10	4,50	4,00
555 8010	KKD 8010 - Narrow	Wiring Duct	80	97,2	100	16,90	2,20	2,20	19,10	4	6	2,10	4,50	4,00
555 1006	KKD 1006 - Narrow	Wiring Duct	100	57,3	60	14,50	2,00	2,00	16,50	4	6	2,10	4,50	4,00
555 1008	KKD 1008 - Narrow	Wiring Duct	100	77,2	80	17,00	2,00	2,00	19,00	4	6	2,10	4,50	4,00
555 1001	KKD 1001 - Narrow	Wiring Duct	100	97,2	100	16,90	2,20	2,30	19,10	4	6	2,10	4,50	4,00
555 1206	KKD 1206 - Narrow	Wiring Duct	120	57,6	60	14,20	2,30	2,00	16,50	4	6	2,10	4,50	4,00
555 1208	KKD 1208 - Narrow	Wiring Duct	120	77,5	80	16,70	2,30	2,00	19,00	4	6	2,10	4,50	4,00
555 1201	KKD 1201 - Narrow	Wiring Duct	120	97,5	100	16,70	2,40	2,40	19,10	4	6	2,10	4,50	4,00
555 1501	KKD 1501 - Narrow	Wiring Duct	150	98,1	100	16,60	2,70	2,70	19,10	4	6	2,10	4,50	4,00

555 4060WS	KKD 4060 - Wide	Wiring Duct	40	56,5	60	15	1,6	1,6	16,6	8	12	2,1	4,5	8
555 4080WS	KKD 4080 - Wide	Wiring Duct	40	76,8	80	17,2	1,8	1,8	19	8	12	2,1	4,5	8
555 4010WS	KKD 4010 - Wide	Wiring Duct	40	96,9	100	17,2	1,9	2	19,1	8	12	2,1	4,5	8
555 6060WS	KKD 6060 - Wide	Wiring Duct	60	56,8	60	14,8	1,8	1,8	16,6	8	12	2,1	4,5	8
555 6080WS	KKD 6080 - Wide	Wiring Duct	60	76,7	80	17,2	1,8	1,8	19	8	12	2,1	4,5	8
555 6010WS	KKD 6010 - Wide	Wiring Duct	60	96,9	100	17,1	2	2	19,1	8	12	2,1	4,5	8
555 8060WS	KKD 8060 - Wide	Wiring Duct	80	57	60	14,8	1,8	1,8	16,6	8	12	2,1	4,5	8
555 8080WS	KKD 8080 - Wide	Wiring Duct	80	77,1	80	17,2	1,8	1,8	19	8	12	2,1	4,5	8
555 8010WS	KKD 8010 - Wide	Wiring Duct	80	97,2	100	16,9	2,2	2,2	19,1	8	12	2,1	4,5	8
555 1006WS	KKD 1006 - Wide	Wiring Duct	100	57,3	60	14,6	2	2	16,6	8	12	2,1	4,5	8
555 1008WS	KKD 1008 - Wide	Wiring Duct	100	77,2	80	17	2	2	19	8	12	2,1	4,5	8
555 1001WS	KKD 1001 - Wide	Wiring Duct	100	97,2	100	16,9	2,2	2,3	19,1	8	12	2,1	4,5	8
555 1206WS	KKD 1206 - Wide	Wiring Duct	120	57,6	60	14,3	2,3	2	16,6	8	12	2,1	4,5	8
555 1208WS	KKD 1208 - Wide	Wiring Duct	120	77,5	80	16,7	2,3	2	19	8	12	2,1	4,5	8
555 1201WS	KKD 1201 - Wide	Wiring Duct	120	97,5	100	16,7	2,4	2,4	19,1	8	12	2,1	4,5	8
555 1501WS	KKD 1501 - Wide	Wiring Duct	150	98,1	100	16,6	2,7	2,7	19,1	8	12	2,1	4,5	8

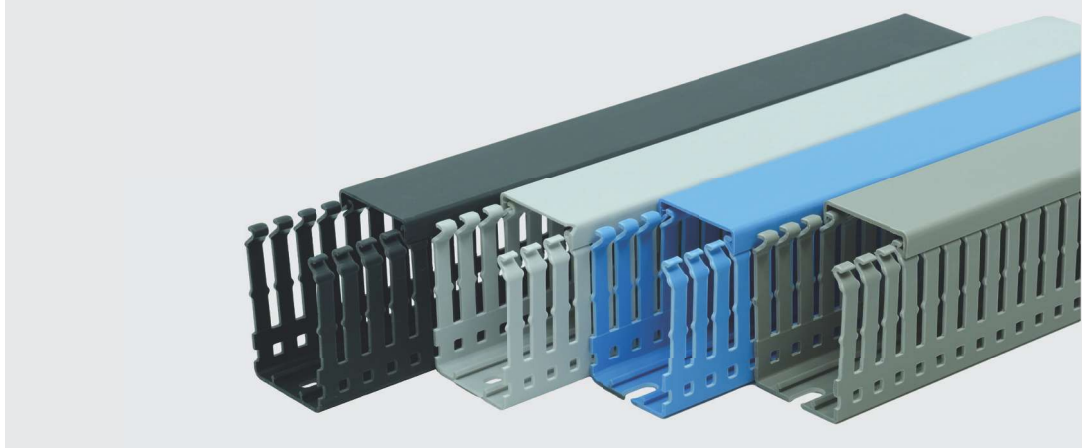
- Can be used with cable tie thanks to additional holes on the sides.
- Flame-retardant, self-extinguishing according to UL94-V0
- Upper scorline is available for breaking off the ribs.
- Lower scorline is available.
- Operating Temperature: -5°C to 60°C
- Standard Length: 2 meters
- Color Option: RAL 7030 Grey
- Complies with RoHS regulations.
- Complies with IEC 60695-2-1 and EN 50085-2-3 standards.

* Wiring duct covers are included the package.



PVC Wiring Duct with Additional Holes (Wide Slotted)

Technical Specifications



Order No	Product	Size WxH (mm)	Color	Qty.
555 2530	KKD 2530	25x30	Grey	50x2 m
555 2540	KKD 2540	25x40	Grey	50x2 m
555 2560	KKD 2560	25x60	Grey	30x2 m
555 2580	KKD 2580	25x80	Grey	28x2 m
555 2510	KKD 2510	25x100	Grey	22x2 m
555 4040	KKD 4040	40x40	Grey	26x2 m
555 4060	KKD 4060	40x60	Grey	18x2 m
555 4080	KKD 4080	40x80	Grey	20x2 m
555 4010	KKD 4010	40x100	Grey	14x2 m
555 6040	KKD 6040	60x40	Grey	18x2 m
555 6060	KKD 6060	60x60	Grey	12x2 m
555 6080	KKD 6080	60x80	Grey	12x2 m
555 6010	KKD 6010	60x100	Grey	18x2 m
555 8040	KKD 8040	80x40	Grey	18x2 m
555 8060	KKD 8060	80x60	Grey	14x2 m
555 8080	KKD 8080	80x80	Grey	10x2 m
555 8010	KKD 8010	80x100	Grey	12x2 m
555 1006	KKD 1006	100x60	Grey	10x2 m
555 1008	KKD 1008	100x80	Grey	8x2 m
555 1001	KKD 1001	100x100	Grey	12x2 m
555 1206	KKD 1206	120x60	Grey	8x2 m
555 1208	KKD 1208	120x80	Grey	6x2 m
555 1201	KKD 1201	120x100	Grey	10x2 m
555 1501	KKD 1501	150x100	Grey	10x2 m

Order No	Product	Size WxH (mm)	Color	Qty.
555 4060WS	KKD 4060	40x60	Grey	50x2 m
555 4080WS	KKD 4080	40x80	Grey	50x2 m
555 4010WS	KKD 4010	40x100	Grey	30x2 m
555 6060WS	KKD 6060	60x60	Grey	28x2 m
555 6080WS	KKD 6080	60x80	Grey	22x2 m
555 6010WS	KKD 6010	60x100	Grey	26x2 m
555 8060WS	KKD 8060	80x60	Grey	18x2 m
555 8080WS	KKD 8080	80x80	Grey	20x2 m
555 8010WS	KKD 8010	80x100	Grey	14x2 m
555 1006WS	KKD 1006	100x60	Grey	18x2 m
555 1008WS	KKD 1008	100x80	Grey	12x2 m
555 1001WS	KKD 1001	100x100	Grey	12x2 m
555 1206WS	KKD 1206	120x60	Grey	18x2 m
555 1208WS	KKD 1208	120x80	Grey	18x2 m
555 1201WS	KKD 1201	120x100	Grey	14x2 m
555 1501WS	KKD 1501	150x100	Grey	10x2 m

Color			
Color code is the last digit of the order number			
Blue	Black	White	Grey
.....BLBKWBG

Test Plugs and Sockets



TF



TSK 1



TSK 3



TSK 4



TSK 6



TSK 7



TSK 8



TSK 9



TSK 10



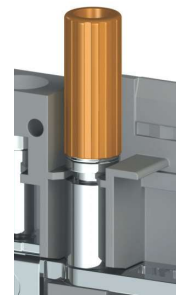
TSK 11

Cat. No.	Product	Terminals used
493 020	TF (Q2)	AVK 2.5; PIK 2.5 N; PIK 2.5 NK; PIK 2.5 ND; PIK 2.5 NLD; PIK 4N; PIK 4 NK; PIK 4 ND; PIK 4 NLD
493 023	TF (2.3)	AVK 2.5; AVK 4; AVK 6; AVK 10; PIK 2.5 N; PIK 4 NK; PIK 2.5 ND; PIK 2.5 NLD; PIK 4N; PIK 4 NK; PIK 4 ND; PIK 4 NLD
490 010	TSK 1 (Q2)	AVK 2.5; PIK 2.5 N; PIK 2.5 NK; PIK 2.5 ND; PIK 2.5 NLD; PIK 4N; PIK 4 NK; PIK 4 ND; PIK 4 NLD
490 030	TSK 3 (Q2.3)	AVK 2.5; PIK 2.5 N; PIK 2.5 NK; PIK 2.5 ND; PIK 2.5 NLD; PIK 4 N; PIK 4 NK; PIK 4 ND; PIK 4 NLD; PUK 3; PUK 2T; PUK 3T; PUK 3 S; PUK 3 SLD (NPN); PUK 3 SLD (PNP)
493 040	TF (Q4)	AVK 4; AVK 6; AVK 10; AVK 16; AVK 16 RD; AVK 35 RD; AVK 35 IRD; WGO 1; WGO 2N; WGO 2 IR; WGO 3; WGL 1; WGO PB 6; WGO Y6; WGO YD6; WGO PBD 6
490 040	TSK 4 (Q2.3)	AVK 4; AVK 6; AVK 10
490 070	TSK 7 (Q4)	AVK 4; AVK 6; AVK 10
490 080	TSK 8 (Q4)	AVK 16
490 090	TSK 9 (Q4)	AVK 16 RD; AVK 35 RD; AVK 35 RDS; AVK 35 IRDS
490 100	TSK 10	WGO 1; WGO 3; WGL 1; WGO Y6; WGO YD6; WGO 2N

Socket Group 1 (Without Isolation)		
Group 1	Suitable Terminal Blocks	WGO 1 - WGL 1 - WGO 3 - WGO 2N
	Component Stock Code	Component Name
	5.1.1.0.006213	UKK 6x11,8
	3.0.3.4.000314	SCREW M3x17



Test Socket Group 2 (With Isolation)		
Group 2	Suitable Terminal Blocks	WGO 1 - WGL 1 - WGO 3 - WGO 2N
	Color Options	Orange (Standart) - Blue - Green - Yellow - Violet
	Component Stock Code	Component Name
	0.0.0.4.90100	TSK 10 ORANGE
	5.1.1.0.006213	UKK 6x11,8



Test Socket Group 3 (With Isolation)		
Group 3	Suitable Terminal Blocks	WGO4
	Color Options	Orange (Standart) - Blue - Green - Yellow - Violet - Red - Black
	Component Stock Code	Component Name
	0.0.0.4.90110	TSK 11 ORANGE

Cable Ties

Natural : Made from U.L. approved polyamide 66.
 Flammability rating : UL 94 V-2
 Normal service temperature range : - 40° C to 85° C.

Black : Material and temperature as above, except in black color.
 Specification : Made to comply with mil-spec drawing no. MS-3667
 tensile strength meet or exceed MIL-S-23190 D standart.

B or S codes at the end of each cat. number indicate the color of the cable-tie.
 Please contact for any requirements apart from the list.

B : White
 S : Black



Type	Cat. No.	Width (mm)	Length (mm)	Max. Bundle Dia. (mm)	Max. Tensite Strength (KGs)	Qty.
YKB 94	532 094 B	2,5	94	25	8	1000
YKB 94	532 094 S	2,5	94	25	8	1000
YKB 100	532 100 B	2,5	100	25	8	1000
YKB 100	532 100 S	2,5	100	25	8	1000
YKB 142	532 142 B	2,5	142	35	8	1000
YKB 142	532 142 S	2,5	142	35	8	1000
YKB 203	532 203 B	2,5	203	55	8	1000
YKB 203	532 203 S	2,5	203	55	8	1000
YKB 150	533 150 B	3,6	150	39	18	1000
YKB 150	533 150 S	3,6	150	39	18	1000
YKB 250	533 250 B	3,6	250	74	18	1000
YKB 250	533 250 S	3,6	250	74	18	1000
YKB 292	533 292 B	3,6	292	85	18	1000
YKB 292	533 292 S	3,6	292	85	18	1000
YKB 368	533 368 B	3,6	368	102	18	1000
YKB 368	533 368 S	3,6	368	102	18	1000
YKB 120	534 120 B	4,8	120	30	22	1000
YKB 120	534 120 S	4,8	120	30	22	1000
YKB 190	534 190 B	4,8	190	52	22	1000
YKB 190	534 190 S	4,8	190	52	22	1000
YKB 368	534 368 B	4,8	368	102	22	1000
YKB 368	534 368 S	4,8	368	102	22	1000
YKB 300	537 300 B	7,6	300	88	55	500
YKB 300	537 300 S	7,6	300	88	55	500
YKB 380	537 380 B	7,6	380	110	55	500
YKB 380	537 380 S	7,6	380	110	55	500
YKB 450	538 450 B	8,0	450	133	80	1000
YKB 450	538 450 S	8,0	450	133	80	1000
YKB 762	539 762 B	9,0	762	236	80	1000
YKB 762	539 762 S	9,0	762	236	80	1000

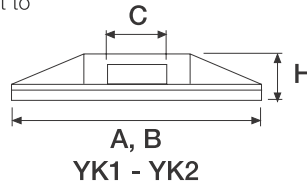
Self-Adhesive Tie Mounts

Material : UL Approved Polyamide 66, UL 94V-2. (Backed with adhesive tape)
 Self-adhesive tie mounts are designed to support light weight wire bundles when properly applied on any clean, smooth, grease-free surface. For heavy support, mounting hole is provided for screws.

Installation : To apply, simply peel off backing paper and apply mount to surface. After that, cable ties can be inserted to secure wire bundles.

To apply with the cable ties :

YK 1 : Up to 4,7 mm. wide cable ties. B : White
 YK 2 : Up to 5 mm. wide cable ties. S : Black



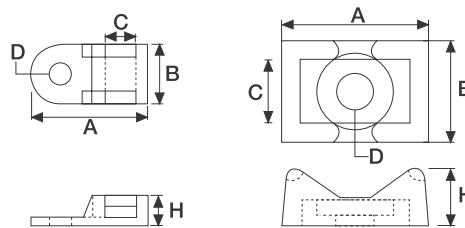
Type	Cat. No.	Dimensions (mm)				Qty.
		A	B	C	H	
YK 1		21	21	4,4	5	500
YK 1	541 210 S	21	21	4,4	5	500
YK 2	541 280 B	28	28	6,5	5,8	500
YK 2	541 280 S	28	28	6,5	5,8	500

Saddle Type Tie Mounts

Material : UL Approved Polyamide 66, UL 94V-2.
 Saddle design provides maximum stability to wire bundles. To apply, simply fix mount with a screw and secure wire bundles with the cable ties.

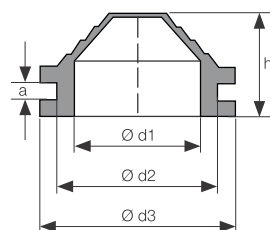
To apply with the cable ties :

VK 1 : Up to 5 mm. wide cable ties.



Type	Cat. No.	Dimensions (mm)					Qty.
		A	B	H	D Ø	C	
VK 1	542 110 B	19	9,5	5	3,4	5	500
VK 1	542 110 S	19	9,5	5	3,4	5	500
VK 2	542 120 B	23	16	9	6	9	500
VK 2	542 120 S	23	16	9	6	9	500

Rubber Glands



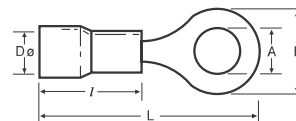
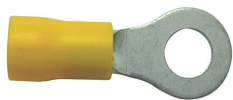
Type	Cat. No.	Dimensions (mm)				Qty.
RR 11	630 110	10	16	22	13	100
RR 13,5	630 135	14	21	27	17,5	100
RR 16	630 160	17	23,5	29,5	17,5	100
RR 21	630 210	23	29	35	18,5	100
RR 29	630 290	29,5	38	44	21,5	100
RR 36	630 360	39,5	49	55	24,5	50
RR 42	630 420	49,5	59	66	30	50

Insulated Terminals



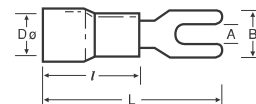
Insulated Terminals are made of E-Cu with tin - plating.
Insulation parts are made of PVC.

Insulated Terminals / Ringtype



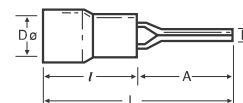
Cat. No.	Type	Cross-Sec. (mm ²)	A	B	DØ	L	l	Qty.
590 010	KYK - 301	0,5 - 1,5	3,2	5,5 ±0,2	4,3 ±0,3	17,5 ±1,0	10 ±0,5	100
590 011	KYK - 351	0,5 - 1,5	3,8	6,6 ±0,2	4,3 ±0,3	19,4 ±1,0	10 ±0,5	100
590 012	KYK - 401	0,5 - 1,5	4,4	6,6 ±0,2	4,3 ±0,3	19,6 ±1,0	10 ±0,5	100
590 013	KYK - 501	0,5 - 1,5	5,4	8,0 ±0,2	4,3 ±0,3	20,8 ±1,0	10 ±0,5	100
590 014	KYK - 601	0,5 - 1,5	6,5	11,9 ±0,2	4,3 ±0,3	27,0 ±1,0	10 ±0,5	100
590 015	KYK - 801	0,5 - 1,5	8,5	11,8 ±0,2	4,3 ±0,3	26,7 ±1,0	10 ±0,5	100
590 020	KYK - 302	1,5 - 2,5	3,4	6,6 ±0,2	4,8 ±0,3	17,8 ±1,0	10 ±0,5	100
590 021	KYK - 402	1,5 - 2,5	4,4	8,5 ±0,2	4,8 ±0,3	22,0 ±1,0	10 ±0,5	100
590 022	KYK - 502	1,5 - 2,5	5,4	9,6 ±0,2	4,8 ±0,3	21,8 ±1,0	10 ±0,5	100
590 023	KYK - 602	1,5 - 2,5	6,4	12 ±0,2	4,8 ±0,3	27,0 ±1,0	10 ±0,5	100
590 024	KYK - 802	1,5 - 2,5	8,5	12 ±0,2	4,8 ±0,3	27,0 ±1,0	10 ±0,5	100
590 025	KYK-1002	1,5 - 2,5	10,6	13,6 ±0,2	4,8 ±0,3	30,5 ±1,0	10 ±0,5	100
590 030	KYK - 406	4,0 - 6,0	4,4	9,5 ±0,2	6,7 ±0,3	26,6 ±1,0	13 ±0,5	100
590 031	KYK - 506	4,0 - 6,0	5,3	9,5 ±0,3	6,7 ±0,3	26,6 ±1,0	13 ±0,5	100
590 032	KYK - 606	4,0 - 6,0	6,4	12 ±0,2	6,7 ±0,3	29,5 ±1,0	13 ±0,5	100
590 033	KYK - 806	4,0 - 6,0	8,5	15 ±0,2	6,5 ±0,3	34,0 ±1,0	13 ±0,5	50
590 034	KYK-1006	4,0 - 6,0	10,6	15 ±0,2	6,7 ±0,3	33,8 ±1,0	13 ±0,5	50
590 035	KYK-1206	4,0 - 6,0	13,1	19,1 ±0,2	6,7 ±0,3	38,2 ±1,0	13 ±0,5	50

Insulated Terminals / Forktype



Cat. No.	Type	Cross-Sec. (mm ²)	A	B	DØ	L	l	Qty.
591 010	KCK - 301	0,5 - 1,5	3,3	5,7 ±0,2	4,3 ±0,3	21 ±1,0	10 ±0,5	100
591 011	KCK - 351	0,5 - 1,5	3,8	6,4 ±0,3	4,1 ±0,3	21 ±1,0	10 ±0,5	100
591 012	KCK - 401	0,5 - 1,5	4,4	6,4 ±0,2	4,3 ±0,3	21 ±1,0	10 ±0,5	100
591 013	KCK - 501	0,5 - 1,5	5,4	8,1 ±0,2	4,3 ±0,3	21 ±1,0	10 ±0,5	100
591 014	KCK - 601	0,5 - 1,5	6,6	9,5 ±0,2	4,3 ±0,3	21 ±1,0	10 ±0,5	100
591 021	KCK - 352	1,5 - 2,5	3,7	6 ±0,2	4,8 ±0,3	21 ±1,0	10 ±0,5	100
591 022	KCK - 402	1,5 - 2,5	4,4	6,4 ±0,2	4,8 ±0,3	21 ±1,0	10 ±0,5	100
591 023	KCK - 502	1,5 - 2,5	5,4	8,1 ±0,2	4,8 ±0,3	21 ±1,0	10 ±0,5	100
591 024	KCK - 602	1,5 - 2,5	6,5	12 ±0,3	4,9 ±0,3	27 ±1,0	10 ±0,5	100
591 030	KCK - 406	4,0 - 6,0	4,4	8,3 ±0,3	6,6 ±0,3	25,5 ±1,0	13 ±0,5	100
591 031	KCK - 506	4,0 - 6,0	5,4	9,0 ±0,3	6,7 ±0,3	25,5 ±1,0	13 ±0,5	100
591 032	KCK - 606	4,0 - 6,0	6,6	12 ±0,3	6,7 ±0,3	31,5 ±1,0	13 ±0,5	50

Insulated Terminals / Pinconnectors

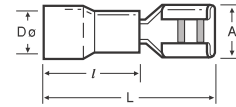


Cat. No.	Type	Cross-Sec. (mm ²)	A	B	DØ	L	l	Qty.
592 010	KIK 1/1,5	0,5 - 1,5	12,0 ±0,3	1,9 ±0,2	4,3 ±0,3	22,0 ±1,0	10,0 ±0,5	200
592 020	KIK 1/2,5	1,5 - 2,5	12,0 ±0,3	1,8 ±0,2	4,9 ±0,3	22,0 ±1,0	10,0 ±0,5	200
592 030	KIK 6	4,0 - 6,0	14,0 ±0,3	2,8 ±0,2	6,7 ±0,3	27,0 ±1,0	13,0 ±0,5	100

DØ: Do is the inner-Width for the isolation part.

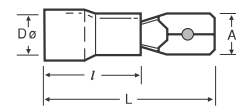
Insulated Terminals

Insulated Terminals / Female Disconnect



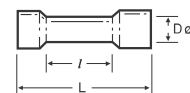
Cat. No.	Type	Cross-Sec. (mm ²)	A	DØ	L	l	Qty.
593 010	KFD - 1288	0,5 - 1,5	3,2 +0,2 -0,05	3,4 ±0,3	18,8 ±1,0	10 ±0,5	100
593 011	KFD - 1488	0,5 - 1,5	5,00 +0,2 -0,05	3,4 ±0,3	18,8 ±1,0	10 ±0,5	100
593 012	KFD - 1638	0,5 - 1,5	6,7 ±0,2	3,4 ±0,3	20,5 ±1,0	10 ±0,5	100
593 020	KFD - 2488	1,5 - 2,5	5,00 +0,2 -0,05	4,1 ±0,3	19 ±1,0	10 ±0,5	100
593 021	KFD - 2638	1,5 - 2,5	6,7 ±0,2	4,1 ±0,3	20,4 ±1,0	10 ±0,5	100
593 022	KFDC - 2288	1,5 - 2,5	3,20 +0,2 -0,05	4,6 ±0,3	19 ±1,0	10,5 ±0,5	100
593 030	KFD - 5638	4,0 - 6,0	6,7 ±0,2	5,6 ±0,3	23,4 ±1,0	13 ±0,5	100

Insulated Terminals / Male Disconnect



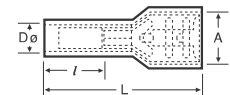
Cat. No.	Type	Cross-Sec. (mm ²)	A	DØ	L	l	Qty.
594 010	KFE - 1288	0,5 - 1,5	2,8 ±0,2	4,1 ±0,3	18,7 ±1,0	10 ±1,0	100
594 011	KFE - 1488	0,5 - 1,5	4,8 ±0,2	3,5 ±0,3	19,2 ±1,0	10 ±0,5	100
594 012	KFE - 1638	0,5 - 1,5	6,35 ±0,2	3,4 ±0,3	21 ±1,0	10 ±0,5	100
594 020	KFE - 2488	1,5 - 2,5	4,8 ±0,2	4,1 ±0,3	19,4 ±1,0	10 ±1,0	100
594 021	KFE - 2638	1,5 - 2,5	6,35 ±0,2	4,1 ±0,3	21 ±1,0	10 ±1,0	100
594 030	KFE - 5638	4,0 - 6,0	6,35 ±0,2	5,6 ±0,3	24 ±1,0	13 ±0,5	100

Insulated Terminals / Butt Connectors



Cat. No.	Type	Cross-Sec. (mm ²)	DØ	L	l	Qty.
597 010	KME - 251	0,5 - 1,5	4,3 ±0,3	26,0 ±1,0	15,0 ±0,3	200
597 020	KME - 252	1,5 - 2,5	4,8 ±0,3	26,0 ±1,0	15,0 ±0,3	200
597 030	KME - 256	4,0 - 6,0	6,7 ±0,3	27,0 ±1,0	15,0 ±0,3	100

Fully Insulated Terminals / Female Disconnect

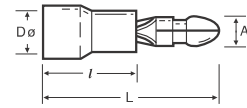
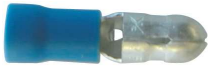


Cat. No.	Type	Cross-Sec. (mm ²)	A	DØ	L	l	Qty.
595010	IKFD 1288	0,5 - 1,5	3,2 +0,2-0,05	3,4 ±0,3	18,5 ±1,0	10 ±0,5	100
595011	IKFD 1488	0,5 - 1,5	5,00 ±0,2	3,4 ±0,3	19 ±1,0	10 ±0,5	100
595012	IKFD 1638	0,5 - 1,5	6,7 ±0,2	3,4 ±0,3	22,6 ±1,0	10 ±0,5	100
595013	IKFDC 1638	0,5 - 1,5	6,7 ±0,2	3,9 ±0,3	22,6 ±1,0	10 ±0,5	100
595019	IKFDCY 1638	0,5 - 1,5	6,7 ±0,2	3,9 ±0,3	22,9 ±1,0	10 ±0,5	100
595020	IKFD 2488	1,5 - 2,5	5,0 +0,2-0,05	4,2 ±0,3	21,7 ±1,0	10 ±0,5	100
595021	IKFD 2638	1,5 - 2,5	6,7 ±0,2	4,1 ±0,3	22,8 ±1,0	10 ±0,5	100
595022	IKFDC 2638	1,5 - 2,5	6,7 ±0,2	4,7 ±0,3	22,4 ±1,0	10 ±0,5	100
595030	IKFD 5638	4,0 - 6,0	6,7 ±0,2	5,2 ±0,3	23,8 ±1,0	11 ±0,5	100
595031	IKFDC 5638	4,0 - 6,0	6,7 ±0,2	6,4 ±0,3	24 ±1,0	12 ±0,5	100

DØ: Do is the inner-Width for the isolation part.

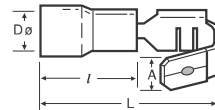
Insulated Terminals

Insulated Terminals / Male Bullet



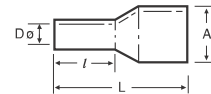
Cat. No.	Type	Cross-Sec. (mm ²)	A	DØ	L	l	Qty.
598 010	KMT - 1040	0,5 - 1,5	4,0 ±0,2	3,4 ±0,3	21,5 ±1,0	10 ±0,5	200
598 020	KMT - 2050	1,5 - 2,5	5,0 ±0,2	4,1 ±0,3	21,5 ±1,0	10 ±0,3	200
598 030	KMT - 5050	4,0 - 6,0	5,0 ±0,2	5,6 ±0,3	24,5 ±1,0	13 ±0,3	100

Insulated Terminals / Piggy Back



Cat. No.	Type	Cross-Sec. (mm ²)	A	DØ	L	l	Qty.
596010	KPB 1638	0,5 - 1,5	6,5 ±0,2	3,4 ±0,3	21,5 ±1,0	10,2 ±0,5	200
596011	KPBC 1638	0,5 - 1,5	6,5 ±0,2	4,0 ±0,3	22,0 ±1,0	10,5 ±0,5	200
596020	KPB 2638	1,5 - 2,5	6,5 ±0,2	4,2 ±0,3	21,5 ±1,0	10,2 ±0,5	100
596030	KPB 5638	4,0 - 6,0	6,3 ±0,2	5,5 ±0,3	24,0 ±1,0	12,7 ±0,5	100
596031	KPBC 5638	4,0 - 6,0	6,4 ±0,2	6,2 ±0,3	24,8 ±1,0	13,0 ±0,5	100

Insulated Terminals / Female Bullet



Cat. No.	Type	Cross-Sec. (mm ²)	A	DØ	L	l	Qty.
599 010	KFT - 1040	0,5 - 1,5	3,9 ±0,2	3,3 ±0,3	24,5 ±1,0	10,0 ±0,5	200
599 020	KFT - 2050	1,5 - 2,5	4,9 ±0,2	3,9 ±0,3	25,0 ±1,0	10,0 ±0,5	200
599 030	KFT - 5050	4,0 - 6,0	4,9 ±0,2	5,6 ±0,3	28,0 ±1,0	13,0 ±0,5	100

DØ: Do is the inner-Width for the isolation part.

Insulated End Sleeves - Standard DIN Series

Single Cord Insulated End Sleeves



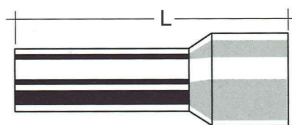
Material: Insertion funnel is made of PA
Self-Extinguish
Metal cylinder is made of tin-plated copper
(EN 13600)
Heat resistant: -40~105°C
ROHS Compliant

Standard: Dimensions and colours are compatible with
DIN 46228 According to UL 486 requirements
Color Standard: German

Package: Transparent Box



Insulated Type



Type	Cat. No.	Cross-Section (mm ²)	L (mm)	Color	AWG	Qty.
IKY 0,25/8	570 002F			Violet		500
IKY 0,34/8	570 003F			Pink		500
IKY 0,50/8	570 010F	0,50	14	White	20	500
IKY 0,75/8	570 020F	0,75	14	Blue	18	500
IKY 1,0/8	570 030F	1,0	14	Red	17	500
IKY 1,5/8	570 040F	1,5	14	Black	16	500
IKY 2,5/8	570 050F	2,5	15	Gray	14	250
IKY 4,0/9	570 060F	4	16	Orange	12	250
IKY 6,0/12	570 070F	6	20	Green	10	100
IKY 10,0/12	570 080F	10	21	Brown	8	100
IKY 16,0/12	570 090F	16	22	Ivory	6	50
IKY 15,0/16	570 100F	25	29	Black	4	20
IKY 35,0/16	570 110F	35	30	Red	2	20
IKY 50,0/20	570 120F	50	36	Blue	1	20

Type	Cat. No.	L1 (mm)	L2 (mm)	S2	Cross-Section (mm ²)	AWG	Color	Qty.
IKY 0,25/8	570 002	10	6	0,25	0,25	20	Light Blue	500
IKY 0,35/8	570 003	10	6	0,25	0,34	20	Turquoise	500
IKY 0,50/8	570 010	14	8	0,25	0,5	20	Orange	500
IKY 0,75/8	570 020	14	8	0,25	0,75	18	White	500
IKY 1,0/8	570 030	14	8	0,25	1	17	Yellow	500
IKY 01,5/8	570 040	14	8	0,25	1,5	16	Red	500
IKY 1,5/10	570 041	16	10	0,25	1,5	16	Red	500
IKY 1,5/12	570 042	18	12	0,25	1,5	16	Red	500
IKY 1,5/18	570 043	24	18	0,25	1,5	16	Red	500
IKY 2,5/8	570 050	15	8	0,25	2,5	14	Blue	250
IKY 2,5/12	570 051	19	12	0,25	2,5	14	Blue	250
IKY 2,5/18	570 052	25	18	0,25	2,5	14	Blue	250
IKY 2,5/18	570 053	25	18	0,25	2,5	14	Blue	20
IKY 4,0/9	570 060	18	10	0,3	4	12	Grey	250
IKY 4,0/12	570 061	19	12	0,3	4	12	Grey	250
IKY 4,0/18	570 062	19	12	0,3	4	12	Grey	250
IKY 6,0/12	570 070	20	12	0,3	6	10	Black	100
IKY 6,0/18	570 071	26	18	0,3	6	10	Black	100
IKY 10,0/12	570 080	22	12	0,4	10	8	Beige	100
IKY 10,0/18	570 081	28	18	0,4	10	8	Beige	100
IKY 16,0/12	570 090	22	12	0,4	16	6	Green	50
IKY 16,0/18	570 091	28	18	0,4	16	6	Green	50
IKY 25,0/16	570 100	30	16	0,4	25	4	Brown	20
IKY 35,0/16	570 110	30	16	0,4	34	2	Beige	20
IKY 50,0/20	570 120	36	20	0,5	50	1	Olive Green	20

End Sleeves

Uninsulated Type



Type	Cat. No.	Cross-Section (mm ²)	L (mm)	AWG	Qty.
KY 0,50/10	571 010	0,50	10	20	1000
KY 0,75/10	571 020	0,75	10	18	1000
KY 1,0/10	571 030	1,0	10	17	1000
KY 1,5/10	571 040	1,5	10	16	1000
KY 2,5/12	571 050	2,5	12	14	1000
KY 4,0/12	571 060	4,0	12	12	500
KY 6,0/12	571 070	6,0	12	10	250
KY 10,0/12	571 080	10,0	12	8	250
KY 16,0/12	571 090	16,0	12	6	100

Uninsulated end sleeves are made of E-Cu with tin-plating as per DIN 46228/1.

Twin Cord end Terminals



Type	Cat. No.	Cross-Section (mm ²)	Color	Qty.
IKY - 2 x 0,5/8	572 010	2 x 0,5	Orange	500
IKY - 2 x 0,75/8	572 020	2 x 0,75	White	500
IKY - 2 x 1/8	572 030	2 x 1,0	Yellow	500
IKY - 2 x 1,5/8	572 040	2 x 1,5	Red	250
IKY - 2 x 2,5/10	572 050	2 x 2,5	Blue	200
IKY - 2 x 4/12	572 060	2 x 4,0	Grey	100
IKY - 2 x 6/14	572 070	2 x 6,0	Black	75
IKY - 2 x 10/14	572 080	2 x 10	Ivory	50
IKY - 2 x 16/14	572 090	2 x 16	Green	20

Insulated twin cord end sleeves are made of E-Cu with tin-plating as per DIN 46228/4.

Hand Tools

Crimping Tools



Cat. No.	Product	Cable Cross-Section	Crimping Technic	Terminal Insertion	Self-Adjustment	Qty.
562 113	CRIMPER 6	0,25-6,0mm ² (AWG 24-10)	Linear	Front	Automatic	1
<ul style="list-style-type: none"> • Automatic adjustment to the wire cross-sections • Continuous precision crimp over the full length of the ferrule • Full cycle ratchet operation (with release) assuring a complete crimp • Perfect fit to hand ergonomics • Patented crimping technology 			Terminal / Connector Type		Crimping Profile	



Cat. No.	Product	Cable Cross-Section	Crimping Technic	Terminal Insertion	Self-Adjustment	Qty.
562 125	CRIMPER F 10 R	0,08-10 mm ² (28-8 AWG)	Linear	Side	Automatic	1
<ul style="list-style-type: none"> • Crimping of wire end ferrules with or without insulation • High-precision crimping results • Ergonomically designed soft handles with non-slip grip material for comfortable working. 			Terminal / Connector Type		Crimping Profile	



Cat. No.	Product	Cable Cross-Section	Crimping Technic	Terminal Insertion	Self-Adjustment	Qty.
562 126	CRIMPER F 10 L	0,5-10 mm ² (20-8 AWG)	Linear	Front	-	1
<ul style="list-style-type: none"> • Automatic adjustment to the wire cross-sections • High precision crimping • Releasable ratchet ensures the complete crimping process • Ergonomically designed soft handles with non-slip grip material for comfortable working. 			Terminal / Connector Type		Crimping Profile	



Cat. No.	Product	Cable Cross-Section	Crimping Technic	Terminal Insertion	Self-Adjustment	Qty.
562 124	CRIMPER N 16 H	0,08-16 mm ²	Linear	Side	-	1
<ul style="list-style-type: none"> • Automatic adjustment between 0,08 - 16 mm² • Required hand force reduced by 30% • Hexagonal crimping • Releasable ratchet ensures the complete crimping process • Ergonomically designed soft handles with non-slip grip material for comfortable working. 			Terminal / Connector Type		Crimping Profile	



Cat. No.	Product	Cable Cross-Section	Qty.
562 117	CRIMPER N 16 L	0,14-16,0 mm ² (26-20;18-16; 14; 12; 10; 8; 6 AWG)	1
<ul style="list-style-type: none"> • Releasable ratchet ensures the complete crimp process • Special-designed ergonomic handles prevents slipping • Ergonomically designed soft handles with non-slip grip material for comfortable working. 		Terminal / Connector Type	Crimping Profile

Hand Tools

Crimping Tools



Cat. No.	Product	Cable Cross-Section	Qty.
562 119	CRIMPER N 50 L	10,0-50,0 mm ² (8;6;4;2;1 AWG)	1
<ul style="list-style-type: none"> Releasable ratchet ensures the complete crimping process Ergonomically designed soft handles with non-slip grip material for comfortable working. 		Terminal / Connector Type 	Crimping Profile



Cat. No.	Product	Crimping Range	Qty.
562 120	CRIMPER IT 6 S	Red 0,5-1,0 (20-18 AWG) Blue 1,5-2,5 (16-14 AWG) Yellow 4,0-6,0 (12-10 AWG)	1
<ul style="list-style-type: none"> Red/blue/yellow round type DIN cable lugs, pin cable lugs, female FASTON cable lugs, male FASTON cable lugs, male terminals, cable joints Ergonomically designed soft handles with non-slip grip material for comfortable working. 		Terminal / Connector Type 	Crimping Profile

Cable Strippers



Cat. No.	Product	Cable Cross-Section	Terminal Insertion	Qty.
562 114	STRIPPER 16	0,03-16 mm ²	Front	1
<ul style="list-style-type: none"> Stripping and cutting of stranded and solid wires with PVC insulation of 0,03 to 16 mm² Self-adjustment for all cross-sections with POWER PLUS feature Adjustable stripping length 3 - 21 mm Ergonomically designed soft handles with non-slip grip material for comfortable working. 				

Spare Knife Set - 562127



Cat. No.	Product	Cable Cross-Section	Terminal Insertion	Qty.
562 123	STRIPPER 28 C	Ø4,5 – 29 mm	-	1
<ul style="list-style-type: none"> Cable stripping as lane with patented stripping mode Maximum performance with less effort High strength special steel 				

Hand Tools

Cable Cutting Tools



Cat. No.	Product	Cable Cross-Section	Qty.
562 110	CUTTER 16	0,03 to 70 mm ²	1
<ul style="list-style-type: none"> • For burr-free cutting of standard wire cables • Wide application range from 0,03 up to 70 mm² • Blades with serrated edge • Low hand force • Soft-grips 			



Cat. No.	Product	Cable Cross-Section		Qty.
		Solid	Stranded	
562 122	CUTTER 32	max. 25/15 mm AL/CU diameter	max. 32 mm diameter or 300 mm ²	1
<ul style="list-style-type: none"> • High tempered special steel • Locking lever • Step-wise and burr-free cutting • Unlocking possibility in every position • Hand tool model • Ergonomically designed soft handles with non-slip grip material for comfortable working. 				

Hand Tool Set

Cat. No.	Product	Cable Cross-Section	Crimping Technic	Terminal Insertion	Qty.
562 128	STRIP & CRIMP SET 1				1
562 114	STRIPPER 16	0,03-16 mm ²	-	Front	1
562 124	CRIMPER N 16 H	0,08-16 mm ²	Linear	Side	1

CRIMPER N 16 H - 562124



STRIPPER 16 - 562114



Hand Tools

Wiring Duct Cutting Tool



Cat. No.	Product	Qty.
553 230	KKMR	1

- Burr-free cutting of wiring ducts and wiring duct covers
- Straight or 45° cutting options
- Equal force distribution across blades helps homogenous cutting
- Cutting up to 100 mm width

Wiring Duct Cutting Tool



Cat. No.	Product	Cutting Type	Max. Width	Length Adjustment	Qty.
553 220	KMK 1002	Straight	125 mm	100 cm	1

- Cover cutting
- Burr-free cutting
- Non-blunting knife
- Length adjustment guide
- Cutting up to 125 mmwid

Rail Cutting Tool



Cat. No.	Product	Cutting Thickness	Cutting Capacity	Length Adjustment	Qty.
500 650	KRKM	1,5 mm	7,5x35 mm 15x35 mm Tij Ø8mm	100 cm	1

- 3 different cutting slots
- Clean Cut
- Lossless cutting
- Non-blunting knife
- Length adjustment guide

Non - Isolated Screwdrivers



Cat. No.	Product	Description	Qty.
560 130	KTD1	2,5x75 - Flat	1
560 140	KTD2	3,0x100 - Flat	1
560 150	KTD3	3,5x100 - Flat	1
560 160	KTD4	4,0x125 - Flat	1
560 170	KTD5	5,5x150 - Flat	1

Isolated Screwdrivers



Cat. No.	Product	Description	Qty.
561 210	IKTD1	2,5x75 - Flat	1
561 220	IKTD2	3,0x100 - Flat	1
561 230	IKTD3	3,5x100 - Flat	1
561 240	IKTD4	4,0x125 - Flat	1
561 250	IKTD5	5,5x150 - Flat	1
561 260	IKTD6	6,5x200 - Flat	1

Main Tester



Cat. No.	Product	Description	Qty.
561 110	KK1	140 mm	1
561 120	KK2	180 mm	1

CE Sign

The letters CE stand for Comformite Europeene. CE sign confirms that a product meets the demands of all relevant guidelines and regulations of the European Union (EU), and declares a product is appropriate for human security and health. The products of Klemsan are subject to below directives:

1- Low Voltage Directive (LVD) - 73/23 EEC

This directive includes electrical devices which function in the range of 50-1000 V (alternative current) and 75-1500 V (direct current).

2- Equipment for use in potentially Explosive Atmospheres (ATEX) - 94/9 EEC. ATEX is the name commonly given to the framework for controlling explosive atmospheres and the standards of equipment and protective systems used in them.

RoHS

The RoHS Directive stands for "Restriction of the use of certain Hazardous Substances in electrical and electronic equipment". This Directive bans the placing on the EU market of new electrical and electronic equipment containing more than agreed levels of lead, cadmium, mercury, hexavalent chromium, polybrominated biphenyl (PBB) and polybrominated diphenyl ether (PBDE) flame retardants. The permitted ratios are below:

Cd - Cadmium - %0,01 ppm

Hg - Mercury - %0,1 ppm

Cr(VI) - Hexavalent chromium (coating) - %0,1 ppm

PBB - Polybrominated biphenyl (flame retardant) - %0,1 ppm

PBDE - Polybrominated diphenyl ether (flame retardant) - %0,1 ppm

Pb - Lead - %0,1 ppm

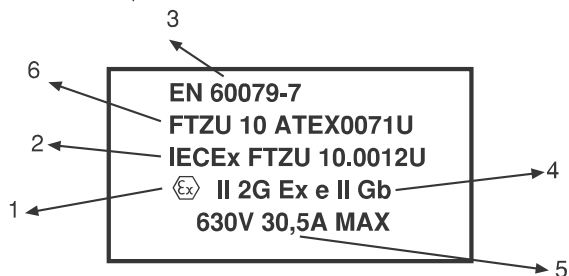
ppm: parts per million (in total weight)

Klemsan has developed some processes and components in accordance with RoHS Directives in 2006, and had its products tested in the approved laboratories, and achieved RoHS Conformity Approvals.

Pollution Severities

Pollution SeveATEX Directives regulating the "94/9/EC - use of equipment in potentially explosive atmospheres was put into force on December 1st 2003 by the European Union. By this directive, rated values for normal operating conditions have been revised for potentially explosive areas.

Below figure illustrates and verbalizes the meaning of the labels ATEX certificated products:



1- Explotion Protection Symbol

2- International Explosive Protection Certificate Number

3- Standard Reference Number

4- a-Equipment Group II

b-Product Category 2 - for usage in zone 1 and/ or 2

c-Approval for applications in gas (G) environment

d- "e" class for having increased safety category

5- Rated voltage and current values

6- Notified body name



EQUIPMENT GROUP

1- Mines

2- Other industry branches

CLASSIFICATION OF POTENTIALLY EXPLOSIVE AREAS

ZONE 0: Places where the potential for explosion is high and duration is long under normal operating conditions

ZONE 1: Places where the potential for explosion is low and duration is short under normal operating conditions

ZONE 2: Places where there is no potential for explosion under normal operating conditions or low potential for explosion with short duration under defect, repair and maintenance situations.

"e" CLASS INCREASED SAFETY

This is an application where the precautions are taken although there is no arc occurring under normal operating conditions. Security of the device is increased one step further. This application is used in environments with no danger of high temperature under normal operations e.g. in terminal block Boxes, cable connections. Such products do not need to be pressure resistant; it is sufficient to get their IP degree up to a level that assures water and humidity resistance.

Reach Directive

As the name implies, the 2006/1907/EC REACH (Registration, Evaluation, Authorization and Restriction of Chemicals) directive, adopted by the European Union on 1 June 2007, obliges companies that produce, import or use chemical substances to register these substances and their uses and determine any related dangers and risks if required.



European Chemical Agency (ECHA) will publish the lists of SVHC (Substances of very high concern)

As of 01 December 2011, companies exporting goods into the EU must give a declaration to ECHA about their usage of SCVH as to whether the goods contain these materials in more than %0.1 SVHC as concentration/weight and more than 1 ton/year SVHC.

The European Union, by these directives, aims to record all the chemicals used in the industry and investigating these chemicals as to whether they have any hazardous effect on human health and environment, it can restrict or prohibit the usage of some chemicals in the industry.

Type and Catalog Number Index

Type	Cat.No.	Page
AD 1	467 919	76, 77, 78, 79, 188, 189, 190, 191, 286
AD 2	468 059	286
AD 3	468 059	286
APP / AVK 16	462 160	286
APP PB 25/NM	464 019	202, 203, 286
APP PYK 1,5 M	463 180	116, 117, 287
APP PYK 10	463 200	118, 297
APP PYK 6	463 190	117, 287
APP-PB 2,5-6/NM	464 009	200, 201, 286
APP/ WGO PB6	464 019	99, 198, 204
APP/AVK 16 RD	462 170	38, 286
APP/AVK 16 RD/NM	464 229	181
APP/AVK 2,5-10	462 120	36, 37, 44, 286
APP/AVK 2,5-10/NM	464 059	180, 181, 183
APP/AVK 35 RD	462 180	39, 58, 286
APP/PYK 1, 5-2,5-4	463 180	287
APP/SRD 10	464 199	254, 255
APP/SRD 10 E	464 219	254
APP/SRD 2,5	464 029	206, 210, 211, 260, 263, 268
APP/SRD 2,5 2F	464 069	208, 209, 222, 223, 224, 225, 226, 227, 262, 263, 268
APP/SRD 2,5 C	464 029	214
APP/SRD 2,5 C	464 119	208, 218, 215, 219, 214
APP/SRD 2,5 CA	464 089	220, 221
APP/SRD 2,5 E	464 079	207, 212, 213, 216, 217, 261, 264
APP/SRD 2,5 NT	464 069	227
APP/SRD 4	464 149	240,241
APP/SRD 4_2F	464 159	244, 245, 246, 247, 248, 249
APP/SRD 4AF	464 169	250
APP/SRD 4C	464 139	238, 239, 240, 241
APP/SRD 4E	464 129	236, 237, 242, 243, 250, 251
APP/SRD 6	464 179	252, 253
APP/SRD 6 E	464 189	252, 253
APP/SRD CTP 2,5	464 029	206, 210, 211, 214, 260, 263, 268, 274
APP/WGO 5	463 219	97, 293
ASK 2 B	360 119	88
ASK 3 F	354 109	106
ASK 3 FB	362 009	92
ASK 3 FLD	354 219	106
ASK 3 MB	363 009	93
ASK 4 B	360 129	92
ASK 4 LD	351 719	109
ASK 4 S	351 129	109
ASK 5	353 409	108
ASK 5 B	353 419	93
ASK 5 LD	353 429	108
ASK 5 LD /NM 110V AC/DC	315 029	199
ASK 5 LD /NM 220V AC/DC	315 039	199
ASK 5 LD/NM	315 019	199
ASK 5 LD/NM 24V AC/DC	315 019	199, 205
ASK 5/NM	315 009	199
ATCS 6	499 559	101, 197
AVK / EK6	304 370	65, 67
AVK 10	304 150	37
AVK 10 RD 4	304 289	48
AVK 10 TK	334 470	41
AVK 10 TK/NM	341 030	185
AVK 10/NM	309 039	181

Type	Cat.No.	Page
AVK 150	304 350	65
AVK 150 B	304 310	68
AVK 16	304 160	37
AVK 16 PV	304 160 P	58
AVK 16 RD	304 240	38
AVK 16 RD/NM	309 059	181
AVK 16 T RD	334 200	41
AVK 16 T RD/NM	341 040	185
AVK 2,5	304 120	36
AVK 2,5 / 4 TK	334 450	40
AVK 2,5 / 4 TK/NM	341 010	184
AVK 2,5 A	304 419	88
AVK 2,5 CC	324 909	49
AVK 2,5 CCA	324 939	89
AVK 2,5 CCT	334 220	50
AVK 2,5 CF	324 919	56
AVK 2,5 EA	324 949	89
AVK 2,5 F	324 929	56
AVK 2,5 PC	364 610	274
AVK 2,5 PCLD/24VDC	304 630	275
AVK 2,5 PCN	304 621	274
AVK 2,5 R	304 409	45
AVK 2,5 RD	304 200	44
AVK 2,5 RD/NM	309 159	183
AVK 2,5 RT	334 280	47
AVK 2,5 T RD	334 170	46
AVK 2,5 T RD/NM	341 090	186
AVK 2,5/NM	309 009	180
AVK 240	304 360	65
AVK 240 B	304 320	69
AVK 25 RD	304 290	38
AVK 35 IRDS	304 590	39
AVK 35 RD	304 250	39
AVK 35 RD PV	304 250 P	58
AVK 35 RDS	304 580	39
AVK 35 RDS/NM	309 089	182
AVK 35 T IRDS	334 250	42
AVK 35 T RD	334 210	41
AVK 35 T RDS	334 240	42
AVK 35 T RDS/NM	341 060	186
AVK 4	304 130	36
AVK 4 CC	325 209	49
AVK 4 A	304 380	90
AVK 4 A/NM	309 179	182
AVK 4 CCA	325 219	91
AVK 4 CCT	334 260	50
AVK 4 CE	325 229	48
AVK 4 CEA	325 239	90
AVK 4 FS	353 309	107
AVK 4 FSLD	353 329	107
AVK 4 GD	304 270	49
AVK 4 R	304 390	45
AVK 4 RD	304 210	44
AVK 4 RD/NM	309 169	183
AVK 4 RT	334 270	47
AVK 4 T RD	334 180	46
AVK 4 T RD/NM	341 100	187
AVK 4/NM	309 019	180
AVK 50	304 330	64
AVK 50 PV	304 330 P	59
AVK 50 T	334 190	43
AVK 6	304 140	37
AVK 6 TK	334 460	40
AVK 6 TK/NM	341 020	184
AVK 6/NM	309 029	181
AVK 70 PV	304 190 P	59

Type	Cat.No.	Page
AVK 70 RD	304 490	64
AVK 70 RD PV	304 490 P	59
AVK 70/95 T	336 660	43
AVK 95	304 340	65
AVK 95 B	304 300	68
AVK AS	498 959	91
AVK ASD	499 059	91
AVK PB 150	304 470	67
AVK PB 240	304 480	67
AVK PB 50	304 440	66
AVK PB 70 RD	304 450	66
AVK PB 95	304 460	67
AVK SKT	498 759	57
AVK SKTD	498 859	57
AVK Y 10	304 520	53
AVK Y 4	304 500	52
AVK Y 4 A	304 600	52
AVK Y 6	304 510	53
AYK 10/16	395 100	102
AYK 10/16	395 200	102
AYK 10/16-2, 3, 4, 5	395 220	103
BIK 1	400 110	280
BIK 2	400 120	280
BIK 3	400 130	280
BIK 4	400 140	280
BIK 5	400 150	280
BK 10	525 362	281
BK 35	525 363	281
BK 4	525 361	281
BKN 16	525 420	282
BKN 35	525 430	282
BKN 4	525 410	282
BM	528 110	280
BUK 2,5/3	425 235	278
BUK 2,5/4	425 245	278
BUK 2,5/5	425 255	278
BUK 4/3	425 350	278
Cable Ties Series YKB 94 / YKB 762	532 094 B / 539 762 S	350
Cover for KD 6A	498 190	289
Cover WGO 5	498 260	97
CPB 6	326 809	61
CPB 6 B	326 819	61
CPB 6 U	326 829	61
CRIMPER 6 Hand Tools	562 113	357
CRIMPER F 10 L Hand Tools	562 126	357
CRIMPER F 10 R Hand Tools	562 125	357
CRIMPER IT 6 S Hand Tools	562 120	358
CRIMPER N 16 H Hand Tools	562 124	357, 358
CRIMPER N 16 L Hand Tools	562 117	357
CRIMPER N 50 L Hand Tools	562 119	358
CS 10/10	470 139	254
CS 10/2	470 132	254
CS 10/3	470 133	254
CS 10/4	470 134	254
CS 10/5	470 135	254
CS 16/2	470 152	256
CS 2,5/10	470 109	210, 211, 212, 213, 214, 215, 216, 217, 218, 219, 220, 221, 222, 223, 224, 225, 226, 227, 228, 229, 230, 232, 233, 260, 261, 262, 263, 266, 267

Type	Cat.No.	Page
CS 2,5/2	470 102	210, 211, 212, 213, 214, 215, 216, 217, 218, 219, 220, 221, 222, 223, 224, 225, 226, 227, 228, 229, 230, 231, 232, 233, 260, 261, 262, 263, 266, 267
CS 2,5/20	470 170	210, 211, 212, 213, 214, 215, 216, 217, 218, 219, 220, 221, 222, 223, 224, 225, 226, 227, 228, 229, 230, 232, 233, 260, 261, 262, 263
CS 2,5/3	470 103	210, 211, 212, 213, 214, 215, 216, 217, 218, 219, 220, 221, 222, 223, 224, 225, 226, 227, 228, 229, 230, 232, 233, 260, 261, 262, 263, 266, 267
CS 2,5/4	470 104	210, 211, 212, 213, 214, 215, 216, 217, 218, 219, 220, 221, 222, 223, 224, 225, 226, 227, 228, 229, 230, 232, 233, 260, 261, 262, 263, 266, 267
CS 2,5/5	470 105	210, 211, 212, 213, 214, 215, 216, 217, 218, 219, 220, 221, 222, 223, 224, 225, 226, 227, 228, 229, 230, 232, 233, 260, 261, 262, 263, 266, 267
CS 4/10	470 119	234, 235, 236, 237, 238, 239, 240, 241, 242, 243, 244, 245, 246, 247, 248, 249, 250, 251
CS 4/2	470 112	234, 235, 236, 237, 238, 239, 240, 241, 242, 243, 244, 245, 246, 247, 248, 249, 250, 251
CS 4/20	470 180	234, 235, 236, 237, 238, 239, 240, 241, 242, 243, 244, 245, 246, 247, 248, 249, 250, 251
CS 4/3	470 113	234, 235, 236, 237, 238, 239, 240, 241, 242, 243, 244, 245, 246, 247, 248, 249, 250, 251
CS 4/4	470 114	234, 235, 236, 237, 238, 239, 240, 241, 242, 243, 244, 245, 246, 247, 248, 249, 250, 251
CS 4/5	470 115	234, 235, 236, 237, 238, 239, 240, 241, 242, 243, 244, 245, 246, 247, 248, 249, 250, 251
CS 6/10	470 129	101, 197, 252
CS 6/2	470 122	101, 197, 252
CS 6/3	470 123	101, 197, 252
CS 6/4	470 124	101, 197, 252
CS 6/5	470 125	101, 197, 252
CTP 2.5	310 129	260
CTP 2.5 C	310 149	261
CTP 2.5 CT	337 060	264
CTP 2.5 E	310 139	261
CTP 2.5 EA	310 159	261
CTP 2.5 ET	337 050	264
CTP 2.5 T	337 040	263

Type	Cat.No.	Page
CTP 2.5-2F	310 169	262
CTP 2.5-2FK	310 179	262
CTP 2.5-2T	337 070	265
CTP 2.5-FT	310 189	263
CUTTER 16 Hand Tools	562 110	24, 359
CUTTER 32 Hand Tools	562 122	24, 359
D-NS 10x10 Tags	813 100	299
D-NS 5,2x6 Tags	810 450	268
D-NS 5x10 Tags	811 750	299
D-NS 5x6 Tags	810 300	299
D-NS 6x10 Tags	812 250	299
D-NS 8x10 Tags	812 750	299
DB 10/10	505 940	325
DB 10/5	505 910	325, 326
DB 10/6	505 915	325, 326
DB 10/6, 5	505 920	325, 326
DB 10/8	505 930	325, 326
DB 4	503 000	325, 326
DB 5	505 850	325, 326
DB 6/4	502 000	325
DB 7, 5x4,5	503 700	325
DG 10/10	505 430	325, 326
DG 10/5	505 310	325, 326
DG 10/5 T	505 380	325, 326
DG 10/6	505 320	325, 326
DG 10/6 T	505 390	325, 326
DG 10/8	505 410	325, 326
DG 6/5	505 330	268, 325, 326
DG 7/5	505 340	325
DY 5 / DY 10 Series	505 000	292
End Sleeves / Insulated Type IKY Series	570 002F / IKY 50, 0/20	355
End Sleeves / Unsulated Type KY Series	571 010 / 572 090	356
ETPS 40-SV 27x12.5	808 064	322
ETPS 40-SV 27x15	808 065	322
ETPS 40-SV 35x18	808 066	322
ETPS 40-SV 45x15	808 067	322
ETPS 40-SV 60x30	808 068	322
ETPS 40-SV 90x45	808 069	322
ETS	498 289	318
ETS 2 PYK 2,5	498 210	318
ETS 2 PYK 2,5	498 217	318
ETS 2 PYK 2,5	498 219	318
ETS 2 PYK 4	498 230	318
ETS 2 PYK 4	498 237	318
ETS 2 PYK 4	498 239	318
ETS 3 PYK 2,5	498 220	318
ETS 3 PYK 2,5	498 227	318
ETS 3 PYK 2,5	498 229	318
Fully Insulated Terminals / Female Disconnect	595010 / 595031	353
GE	496 110	288
GE 4	496 310	288
HFK 25mm Wiring Duct Cover	540 600	337
HFK 40mm Wiring Duct Cover	540 610	337
HFK 60mm Wiring Duct Cover	540 620	337
HFK 80mm Wiring Duct Cover	540 630	337
HSL-02-Y	579 010	321
HSL-03-Y	579 011	321
HSL-04.5-Y	579 012	321
HSL-06-Y	579 013	321
HSL-10-Y	579 014	321
I-KBE1 29x8 Y/W	808 164	320
I-KBE2 39x15 Y/W	808 165	320
IBK 10	525 372	281
IBK 10	525 382	281

Type	Cat.No.	Page
IBK 35	525 373	281
IBK 35	525 383	282
IBK 4	525 371	281
IBK 4	525 381	282
IBKN 16	525 451	282
IBKN 16	525 452T	282
IBKN 35	525 461	282
IBKN 35	525 462T	282
IBKN 4	525 441	282
IBKN 4	525 442T	282
Insulated Terminals / Butt Connectors	597 010 / 597 030	353
Insulated Terminals / Female Bullet	599 010 / 599 030	354
Insulated Terminals / Female Disconnect	593 010 / 593 030	354
Insulated Terminals / Forktype	591 010 / 591 032	352
Insulated Terminals / Male Bullet	598 010 / 598 030	354
Insulated Terminals / Male Disconnect	594 010 / 594 030	353
Insulated Terminals / Piggy Back	596010 / 596031	354
Insulated Terminals / Pinconnectors	592 010 / 592 030	352
Insulated Terminals / Ringtype	590 010 / 590 035	352
IP 1	498 120	329
IP 1S	498 110	329
IP 2	498 140	329
IP 2S	498 130	329
IP 2T	498 150	329
IP 3	498 145	329
IP 3S	498 143	329
IP 4	498 170	329
IP 4S	498 160	329
IP 5	498 240	329
IP 5S	498 250	329
IZUK 10/10	476 409	95
IZUK 10/2	476 402	95
IZUK 10/3	476 403	95
IZUK 10/4	476 404	95
IZUK 10/6	476 406	95
IZUK 10W/10	476 509	96
IZUK 10W/2	476 502	96
IZUK 10W/3	476 503	96
IZUK 10W/4	476 504	96
IZUK 10W/6	476 506	96
IZUK 6/10	476 309	94, 95, 96, 98
IZUK 6/10/NM	470 379	196
IZUK 6/2	476 302	94, 95, 96, 98
IZUK 6/2/NM	470 372	196
IZUK 6/3	476 303	94, 95, 96, 98
IZUK 6/3/NM	470 373	196
IZUK 6/4	476 304	94, 95, 96, 98
IZUK 6/4/NM	470 374	196
IZUK 6/6	476 306	94, 95, 96, 98
IZUK 6/6/NM	470 376	196
K 1	510 110	284
K 2	510 120	284
K 3	510 130	284
KBE 1	520 110	294, 302
KBE 2	520 120	294, 302
KBE 3	508 080	294
KCIP-Y 10x17	808 502	303
KCIP-Y 6x15	808 504	303

Type	Cat.No.	Page
KCIP-Y 7x44	808 500	288, 303
KCIP-Y 7x44	808 501	303
KCIP-Y 8x20	808 506	303
KCIP-Y 9x12	808 503	303
KCIP-Y 9x15	808 505	303
KCIP-Y 9x35	808 507	303
KCIPA-S 105x130	808 817	307
KCIPA-S 10x17	808 801	307
KCIPA-S 12.5x27	808 809	307
KCIPA-S 15x27	808 810	307
KCIPA-S 15x50	808 814	307
KCIPA-S 15x67	808 815	307
KCIPA-S 18x27	808 811	307
KCIPA-S 18x35	808 813	307
KCIPA-S 27x27	808 812	307
KCIPA-S 50x100	808 816	307
KCIPA-S 6x15	808 803	307
KCIPA-S 75x100	808 818	307
KCIPA-S 8x20	808 805	307
KCIPA-S 8x27	808 808	307
KCIPA-S 9x12	808 802	307
KCIPA-S 9x15	808 804	307
KCIPA-S 9x35	808 806	307
KCIPA-S 9x50	808 807	307
KCIPA-W 105x130	808 717	305
KCIPA-W 10x17	808 701	305
KCIPA-W 12.5x27	808 709	305
KCIPA-W 15x27	808 710	305
KCIPA-W 15x50	808 714	305
KCIPA-W 15x67	808 715	305
KCIPA-W 18x27	808 711	305
KCIPA-W 18x35	808 713	305
KCIPA-W 27x27	808 712	305
KCIPA-W 50x100	808 716	305
KCIPA-W 6x15	808 703	305
KCIPA-W 75x100	808 718	305
KCIPA-W 8x20	808 705	305
KCIPA-W 8x27	808 708	305
KCIPA-W 9x12	808 702	305
KCIPA-W 9x15	808 704	305
KCIPA-W 9x35	808 706	305
KCIPA-W 9x50	808 707	305
KCIPA-Y 105x130	808 767	306
KCIPA-Y 10x17	808 751	306
KCIPA-Y 12.5x27	808 759	306
KCIPA-Y 15x27	808 760	306
KCIPA-Y 15x50	808 764	306
KCIPA-Y 15x67	808 765	306
KCIPA-Y 18x27	808 761	306
KCIPA-Y 18x35	808 763	306
KCIPA-Y 27x27	808 762	306
KCIPA-Y 50x100	808 766	306
KCIPA-Y 6x15	808 753	306
KCIPA-Y 75x100	808 768	306
KCIPA-Y 8x20	808 755	306
KCIPA-Y 8x27	808 758	306
KCIPA-Y 9x12	808 752	306
KCIPA-Y 9x15	808 754	306
KCIPA-Y 9x35	808 756	306
KCIPA-Y 9x50	808 757	306
KCIPR-S 15x27	808 651	304
KCIPR-S 15x50	808 654	304
KCIPR-S 15x67	808 655	304
KCIPR-S 18x27	808 652	304
KCIPR-W 15x27	808 551	304
KCIPR-W 15x50	808 554	304
KCIPR-W 15x67	808 555	304

Type	Cat.No.	Page
KCIPR-W 18x27	808 552	304
KCIPR-Y 15x27	808 601	304
KCIPR-Y 15x50	808 604	304
KCIPR-Y 15x67	808 605	304
KCIPR-Y 18x27	808 602	304
KCPM-W 4x10	808 951	301
KCPM-W 4x15	808 952	301
KCPM-W 4x18	808 955	301
KCPM-W 4x23	808 953	301
KCPM-W 4x30	808 954	301
KCPM-Y 4x10	809 001	301
KCPM-Y 4x15	809 002	301
KCPM-Y 4x18	809 005	301
KCPM-Y 4x23	809 003	301
KCPM-Y 4x30	809 004	301
KD 3	495 049	251, 252, 253, 254, 255, 256, 285
KD 4	495 059	251, 252, 253, 254, 255, 256, 285
KD 5	495 069	285
KD 6	495 099	285
KD 6A	495 109	280, 285
KD 6A	498 187	289
KD 6T	495 209	285
KD 7	495 219	285
KD 8	495 229	285
KD 8/NM	497 069	268, 285
KE1-NS 4x12	814 300	300
KE1-NS 4x18	814 900	300
KE2-NS 4x12	814 500	300
KE2-NS 4x18	815 100	300
KE3-NS 4x12	814 700	300
KE3-NS 4x18	815 300	300
KHF 2530 Wiring Duct 25x30	540 010	337, 339
KHF 2540 Wiring Duct 25x40	540 020	337, 339
KHF 2560 Wiring Duct 25x60	540 030	337, 339
KHF 4040 Wiring Duct 40x40	540 060	337, 339
KHF 4060 Wiring Duct 40x60	540 070	337, 339
KHF 4080 Wiring Duct 40x80	540 080	337, 339
KHF 6040 Wiring Duct 60x40	540 100	337, 339
KHF 6060 Wiring Duct 60x60	540 110	337, 339
KHF 6080 Wiring Duct 60x80	540 120	337, 339
KHF 8060 Wiring Duct 80x60	540 150	337, 339
KHF 8080 Wiring Duct 80x80	540 160	337, 339
KIP 10 W	508 001	327
KIP 10 Y	508 002	327
KIP 15 W	508 003	327
KIP 15 Y	508 004	327
KIP 18 W	508 012	327
KIP 18 Y	508 013	327
KIP 23 W	508 005	327
KIP 23 Y	508 006	327
KIP 30 W	508 008	327
KIP 30 Y	508 009	327
KKB 150	466 110	68
KKB 240	466 120	69
KKB 95	466 100	68
KKB Cable Clamp	553 405	343
KKC 1001 100x100 Wiring Duct	551 036	340, 345
KKC 1001 100x100 Wiring Duct	551 036WS	341, 346
KKC 1006 100x60 Wiring Duct	551 021	340, 345
KKC 1006 100x60 Wiring Duct	551 021WS	341, 346
KKC 1008 100x80 Wiring Duct	551 022	340, 345
KKC 1008 100x80 Wiring Duct	551 022WS	341, 346
KKC 1201 120x100 Wiring Duct	551 025	340, 345
KKC 1201 120x100 Wiring Duct	551 025WS	341, 346
KKC 1206 120x60 Wiring Duct	551 023	340, 345

Type	Cat.No.	Page
KKC 1206 120x60 Wiring Duct	551 023WS	341, 346
KKC 1208 120x80 Wiring Duct	551 024	340, 345
KKC 1208 120x80 Wiring Duct	551 024WS	341, 346
KKC 1501 150x100 Wiring Duct	551 040	340, 345
KKC 1501 150x100 Wiring Duct	551 040WS	341, 246
KKC 1518 15x18 Self-adhesive Wiring Duct	551 060YP	339
KKC 1518 15x18 Wiring Duct	551 060	339, 345
KKC 1530 15x30 Self-adhesive Wiring Duct	551 070YP	339
KKC 1530 15x30 Wiring Duct	551 070	339, 345
KKC 1540 15x40 Self-adhesive Wiring Duct	551 080YP	339
KKC 1540 15x40 Wiring Duct	551 080	339, 345
KKC 1560 15x60 Self-adhesive Wiring Duct	551 090YP	339
KKC 1560 15x60 Wiring Duct	551 090	339, 345
KKC 2510 25x100 Wiring Duct	551 031	340, 345
KKC 2530 25x30 Wiring Duct	551 010	340, 345
KKC 2540 25x40 Wiring Duct	551 011	340, 345
KKC 2560 25x60 Wiring Duct	551 012	340, 345
KKC 2580 25x80 Wiring Duct	551 030	340, 345
KKC 4010 40x100 Wiring Duct	551 032	340, 345
KKC 4010 40x100 Wiring Duct	551 032WS	341, 346
KKC 4040 40x40 Wiring Duct	551 013	340, 345
KKC 4060 40x60 Wiring Duct	551 014	340, 345
KKC 4060 40x60 Wiring Duct	551 014WS	341, 346
KKC 4080 40x80 Wiring Duct	551 015	340, 345
KKC 4080 40x80 Wiring Duct	551 015WS	341, 346
KKC 6010 60x100 Wiring Duct	551 033	340, 345
KKC 6010 60x100 Wiring Duct	551 033WS	341, 346
KKC 6040 60x40 Wiring Duct	551 016	340, 345
KKC 6060 60x60 Wiring Duct	551 017	340, 345
KKC 6060 60x60 Wiring Duct	551 017WS	341, 346
KKC 6080 60x80 Wiring Duct	551 018	340, 345
KKC 6080 60x80 Wiring Duct	551 018WS	341, 346
KKC 8010 80x100 Wiring Duct	551 035	340, 345
KKC 8010 80x100 Wiring Duct	551 035WS	341, 346
KKC 8040 80x40 Wiring Duct	551 034	340, 345
KKC 8060 80x60 Wiring Duct	551 019	340, 345
KKC 8060 80x60 Wiring Duct	551 019WS	341, 346
KKC 8080 80x80 Wiring Duct	551 020	340, 345
KKC 8080 80x80 Wiring Duct	551 020WS	341, 346
KKK 100 Wiring Duct	551 054	342
KKK 120 Wiring Duct	551 055	342
KKK 15 Wiring Duct	551 049	342
KKK 150 Wiring Duct	551 056	342
KKK 25 Wiring Duct	551 050	342
KKK 40 Wiring Duct	551 051	342
KKK 60 Wiring Duct	551 052	342
KKK 80 Wiring Duct	551 053	342
KKM Cable Holder	553 415	343
KKMR Wiring Duct Cutter (Hand Tool)	553 230	344, 360
KKT 1001 Wiring Duct	553 465	343
KKT 1006 Wiring Duct	553 395	343
KKT 1008 Wiring Duct	553 455	343
KKT 1201 Wiring Duct	553 485	343
KKT 1206 Wiring Duct	553 425	343
KKT 1208 Wiring Duct	553 475	343
KKT 4040 Wiring Duct	553 315	343
KKT 4060 Wiring Duct	553 325	343
KKT 4080 Wiring Duct	553 345	343
KKT 6010 Wiring Duct	553 375	343
KKT 6040 Wiring Duct	553 355	343
KKT 6060 Wiring Duct	553 365	343
KKT 6080 Wiring Duct	553 335	343
KKT 8010 Wiring Duct	553 445	343

Type	Cat.No.	Page
KKT 8060 Wiring Duct	553 385	343
KKT 8080 Wiring Duct KL-PLT A Plate (for Terminal Block Markers)	553 435	343
	806 010	299
KL-PLT B Plate (for Flat Media)	806 020	299
KL-PLT C Plate (for Clip-it Cable Markers)	806 030	299
KL-RB Ribbon - BLACK	806 100	298
KL-RB Ribbon - BLUE	806 102	298
KL-RB Ribbon - RED	806 101	298
Klecard Thermal Card Printer	806 000	297
Klemark Ribbon 110x300	1020 012	317
Klemark Ribbon 30x300	1020 010	317
Klemark Ribbon 40x300	1020 013	317
Klemark Ribbon 50x300	1020 011	317
Klemsan Wire Marking Tags	515 000 / 517 048	293
KMK 1002 Wiring Duct Cutting Tool up to120 mm	553 220	344, 360
KOIP SM	508 051	325
KOIP SM W	508 051	328
KOIP TT W	508 057	328
KR 1	510 500	284
KRKM	500 650	284, 360
KUB 1	525 100	280
KUB 1/2	525 101	280
KUB 2	525 200	280
KUB 2/2	525 201	280
KUB 3	525 300	280
KUB 3/3	525 350	280
KUB 4 (Copper)	525 310	280
KUB 4 (Tin Plated - Copper)	525 320	280
LSL-03 SV	808 434	323
LSL-03 W	808 433	323
LSL-03 YL	808 435	323
LSL-05 SV	808 437	323
LSL-05 W	808 436	323
LSL-05 YL	808 438	323
LSL-08 SV	808 440	323
LSL-08 W	808 439	323
LSL-08 YL	808 441	323
Main Tester Isolated Screwdrivers	561 110	360
Main Tester Isolated Screwdrivers	561 120	360
ME 1 - 1	496 12A	288
ME 1 - 2	496 13A	288
ME 2 - 2	496 14A	288
ME 3	496 300	288
ME4	496 329	285
MR 15 x 5,5	500 610	284
MR 15 x 5,5	500 611	284
MR 32	500 101	284
MR 35 x 15	500 606	284
MR 35 x 15	500 607	284
MR 35 x 7,5	500 601	284
MR 35 x 7,5	500 602	284
MR 35 x 7,5	500 602E	284
MVK 2,5	304 429	54
MVK 2,5 T	334 420	55
MVK 4	304 439	54
MVK 4 T	334 430	55
MYK 2,5	306 429	156
MYK 2,5 C	306 479	158
MYK 2,5 T	336 420	158
MYKR 2,5	306 509	159
MYKR 2,5 C	306 499	159
MYPK 2,5	306 439	157
MYPK 2,5 C	306 489	158
MYSK 2,5	306 449	157

Type	Cat.No.	Page
NPP / AVK 16	444 160	37, 58
NPP / PB 6/NM	451 019	201
NPP /AVK 2,5 RT	450 332 T	47
NPP /AVK 4 RT	450 332 T	47
NPP 1 MYK	446 429	156, 157, 159
NPP 1 MYK 2,5 C	446 429	158
NPP 1 MYK 2,5 T	446 422T	156
NPP 2 MYK	446 439	156, 157, 158, 159, 161
NPP 2 MYK 2,5 T	446 432T	156
NPP AVK Y 4/6	450 300	52, 53
NPP AVK Y 4A	450 390	52
NPP CPB 6	450 289	61
NPP MYK 1	446 429	156, 157, 158, 159
NPP MYK 2	446 439	156, 157, 158, 159
NPP MYPD 1	495 079	157, 158
NPP MYPD 2	495 089	157, 158
NPP PB 25/NM	451 039	202, 203
NPP PYK 2,5-2 F	446 519	129, 130, 131
NPP PYK 2,5-2 FLD	446 519	130
NPP PYK 2,5-3 F	446 529	132
NPP PYK 2,5-3 FK	446 529	132
NPP PYK 2,5-3 FT	446 529	133
NPP PYK 2,5-3 FT	446 539	133
NPP PYK 2,5-M2F	450 439	128
NPP PYK 2,5-M2FT	450 429	128
NPP PYK 3 S	446 609	136,137
NPP PYK 4-2 FN	446 669	129
NPP SC-PT 2,5	451 119	265
NPP YBK 2,5-2 F	446 269	164
NPP YBK 2,5-2 F	446 299	162, 163
NPP YBK 2,5-2 T	446 299	166
NPP YBK 2,5-3 F	446 249	166, 177
NPP YBK 2,5-3 FT	446 259	167
NPP YBK 3 S	446 289	169
NPP YBK 4-2 F	446 269	164, 165
NPP/ASK 2	450 049	88, 104
NPP/ASK 2	450 049	104
NPP/ASK 3	450 059	92, 93, 105, 106,
NPP/AVK 16 RD	444 170	38
NPP/AVK 16 RD/NM	451 049	181
NPP/AVK 2,5 A	450 330	88
NPP/AVK 2,5 CC	444 139	49, 89
NPP/AVK 2,5 CCT	444 132T	50
NPP/AVK 2,5 R	450 330	45
NPP/AVK 2,5-10	444 120	36, 37, 44, 274, 275
NPP/AVK 2,5-10/NM	451 069	180,181,183
NPP/AVK 25 RD	450 250	38
NPP/AVK 4 CC	450 349	49
NPP/AVK 4 CCT	450 342 T	50
NPP/AVK 4 CE	450 349	48
NPP/AVK 4 CEA	450 349	90
NPP/AVK 4 FS	450 209	107
NPP/AVK 4 R	450 330	45
NPP/AVK 4 R-A	450 330	90
NPP/AVK 4 R-A/NM	451 319	182
NPP/AVK 4GD	444 140	49
NPP/AVK Y 10	450 260	53
NPP/AYK	450 090	102,103
NPP/CPB 6	450 299	61
NPP/CTP 2,5	451 159	261
NPP/CTP 2,5 C	451 099	261
NPP/MVK 2,5-4	444 429	54
NPP/MVK 2,5T	444 422T	55
NPP/PB 2,5/NM	451 029	200
NPP/PCY 2,5	450 199	272, 273
NPP/PCY 2,5 N	450 191	272

Type	Cat.No.	Page
NPP/PIK 10 N	449 039	80
NPP/PIK 2,5 - 4 NT	449 012T	81
NPP/PIK 2,5-4 N	449 019	76, 77, 78, 79
NPP/PIK 2,5-4 N/NM	451 309	188, 189, 190, 191
NPP/PIK 4 FS	449 029	80
NPP/PUK 2 T	450 149	82
NPP/PUK 2 T/NM	451 329	192
NPP/PUK 3	450 139	82
NPP/PUK 3 S	450 169	84, 85
NPP/PYK 1, 5	446 449	116
NPP/PYK 1,5 M	446 639	116
NPP/PYK 1,5 MC	446 659	143
NPP/PYK 1,5 MCT	446 652T	143
NPP/PYK 1,5 ME	446 649	142
NPP/PYK 1,5 MET	446 642T	142
NPP/PYK 10	446 479	118
NPP/PYK 10E	446 709	149
NPP/PYK 16	450 419	118
NPP/PYK 2, 5	446 449	117
NPP/PYK 2,5 A	446 509	140
NPP/PYK 2,5 C	446 499	145
NPP/PYK 2,5 CCA	446 549	140
NPP/PYK 2,5 CT	446 492T	145
NPP/PYK 2,5 E	446 619	144
NPP/PYK 2,5 EA	446 629	140
NPP/PYK 2,5 ET	446 612T	144
NPP/PYK 4	446 459	117
NPP/PYK 4 CT	446 672T	147
NPP/PYK 4 E	446 559	145
NPP/PYK 4 ET	446 552T	146
NPP/PYK 4C	446 679	146
NPP/PYK 6	446 469	117
NPP/PYK 6 C	446 699	149
NPP/PYK 6 CT	446 692T	149
NPP/PYK 6 E	446 689	148
NPP/PYK 6 ET	446 682T	148
NPP/SRD 10	451 279	254
NPP/SRD 10 E	451 299	254
NPP/SRD 2,5	451 052T	206, 211
NPP/SRD 2,5	451 059	206, 210, 211
NPP/SRD 2,5	451 072T	233
NPP/SRD 2,5 C	451 059	214
NPP/SRD 2,5 E	451 152T	207, 213
NPP/SRD 2,5_2F	451 079	209, 222, 223, 224, 225, 226, 227
NPP/SRD 2,5_3F	451 102T	231
NPP/SRD 2,5-3S	451 179	232, 233
NPP/SRD 2,5C	451 189	208, 214, 215, 218, 219
NPP/SRD 2,5CA	451 169	220, 221
NPP/SRD 2,5CT	451 182T	208, 215
NPP/SRD 2,5E	451 159	207, 212, 213, 216, 217
NPP/SRD 2,5_3F	451 109	228, 229, 230
NPP/SRD 24C	451 202T	241
NPP/SRD 4	451 239	234, 235
NPP/SRD 4_2F	451 219	244, 245, 246, 247, 248, 249
NPP/SRD 4-2F	451 212T	249
NPP/SRD 4AF	451 229	250
NPP/SRD 4C	451 209	238, 239, 240, 241
NPP/SRD 4E	451 192T	237
NPP/SRD 4E	451 199	236, 237, 242, 243, 250, 251
NPP/SRD 6	451 249	252
NPP/SRD 6 E	451 259	252
NPP/WGO 1	450 109	94

Type	Cat.No.	Page
NPP/WGO 2 IR	450 249	96
NPP/WGO 2 N	450 230	95
NPP/WGO 3	450 220	95
NPP/WGO 3	450 229	95
NPP/WGO 5	450 359	97
NPP/WGO PB 6	451 009	99, 198
NPP/WGO Y 6	450 279	98
NPP/WGO YD 6	450 279	98
NPP/YBK 10	446 359	153
NPP/YBK 10 T	446 352T	155
NPP/YBK 2,5	446 329	152
NPP/YBK 2,5 A	450 219	171
NPP/YBK 2,5 C	446 279	175, 176
NPP/YBK 2,5 CT	446 272T	177
NPP/YBK 2,5 E	446 212T	177
NPP/YBK 2,5 E	446 219	175
NPP/YBK 2,5 T	446 322T	154
NPP/YBK 4	446 339	152
NPP/YBK 4 T	446 332T	154
NPP/YBK 6	446 349	153
NPP/YBK 6 T	446 342T	155
NPP/YBK S	450 069	170, 171, 172, 173
NPP1 PYKM 2,5	446 589	124
NPP1 PYKMR 2,5	446 589	124
NPP2 PYKM 2,5	446 599	124
NPP2 PYKMR 2,5	446 599	124
OYE-01 Y	808 416	329
OYE-02 Y	808 418	329
OYE-03 Y	808 415	329
OYE-04 Y	808 417	329
OYE-05 Y	808 414	329
OYE-06 Y	808 413	329
OYE-07 Y	808 412	329
PAK 185-240	313 129	72
PAK 185-240 KK	313 139	73
PAK 25-35	313 009	70
PAK 25-35 KK	313 019	70
PAK 300	313 169	73
PAK 300 KK	313 179	73
PAK 50-70	313 049	71
PAK 50-70 KK	313 059	71
PAK 95-150	313 089	71
PAK 95-150 KK	313 099	72
PAP	670 100	290
PAP - KK	670 500	290
PAP - LED	670 200	290
PAP - UPS	670 300	290
PAP - UPS + LED	670 400	290
PB 2,5/NM	308 029	200
PB 2,5K/NM	308 039	200
PB 2,5T/NM	337 010	201
PB 25/NM (M5)	308 049	202
PB 25/NM (M6)	308 059	203
PB 6 T/NM	337 000	202
PB 6/NM	308 009	201
PB 6K/NM	308 019	201
PBIP 2715 G	508 801	328
PBIP 2715 W	508 800	328
PBIP 2715 Y	508 802	328
PBIP 5015 G	508 804	328
PBIP 5015 W	508 803	328
PBIP 5015 Y	508 805	328
PBIP 6715 G	508 807	328
PBIP 6715 W	508 806	328
PBIP 6715 Y	508 808	328
PBKP 2715	508 813	294
PBKP 5015	508 814	294

Type	Cat.No.	Page
PBKP 6715	508 815	294
PC-PLT A For Different Brand Terminal Block Markers	806 040	299
PCY 2,5	364 019	272
PCY 2,5 E	364 059	273
PCY 2,5 EL	364 069	273
PCY 2,5 L	364 029	273
PCY 2,5 N	364 080	272
PCY IT	423 099 / 423 090 / 423 097	272, 273, 274, 275
PIK 10 N	319 909	80
PIK 2,5 N	317 109	76
PIK 2,5 N/NM	309 189	188
PIK 2,5 ND	317 219	77
PIK 2,5 ND/NM	315 049	189
PIK 2,5 NK	317 129	77
PIK 2,5 NK/NM	309 199	189
PIK 2,5 NLD	317 319	77
PIK 2,5 NLD/NM	309 229	189
PIK 2,5 NT	336 560	81
PIK 2,5 RD	325 249	76
PIK 2,5 RD/NM	309 429	188
PIK 2,5 RDK	325 259	77
PIK 2,5 RDK/NM	309 439	189
PIK 4 FS	319 809	80
PIK 4 N	319 109	78
PIK 4 N/NM	309 309	190
PIK 4 ND	319 219	79, 191
PIK 4 ND/NM	315 069	191
PIK 4 NK	319 129	79
PIK 4 NK/NM	309 319	191
PIK 4 NLD	319 319	79, 191
PIK 4 NLD/NM	309 349	191
PIK 4 NT	336 570	81
PIK 4 RD	325 349	78
PIK 4 RD/NM	309 449	190
PIK 4 RDK	325 359	79
PIK 4 RDK/NM	309 459	191
PPE 6.5 Rivets	553 600	343
PSK 1/12	420 120	278
PSK 1/2	420 020	278
PSK 2/10	421 100	278
PSK 2/2	421 020	278
PTP 2.5	310 109	260
PTP 2.5 T	337 020	263
PUK 2 T	324 209	82
PUK 2 T/NM	309 469	192
PUK 3	324 109	82
PUK 3 S	324 409	84
PUK 3 S/NM	309 499	194
PUK 3 SLD (NPN)	324 419	84
PUK 3 SLD (NPN)/NM	309 509	194
PUK 3 SLD (PNP)	324 429	85
PUK 3 SLD (PNP)/NM	309 519	195
PUK 3 T	324 309	83
PUK 3 T/NM	309 489	193
PUK 3/NM	309 479	192
PYE - 01 W	808 419	322
PYE-01 SV	808 420	322
PYE-01 YL	808 403	322
PYE-02 SV	808 422	322
PYE-02 W	808 421	322
PYE-02 YL	808 404	322
PYE-03 SV	808 424	322
PYE-03 W	808 423	322
PYE-03 YL	808 405	322
PYE-04 SV	808 426	322

Type	Cat.No.	Page
PYE-04 W	808 425	322
PYE-04 YL	808 406	322
PYE-05 SV	808 428	322
PYE-05 W	808 427	322
PYE-05 YL	808 409	322
PYK 1, 5 MCT	336 450	143
PYK 1, 5 MET	336 460	142
PYK 1, 5 MT	336 440	120
PYK 1, 5 T	336 490	120
PYK 1,5	307 009	116
PYK 1,5 M	307 019	116
PYK 1,5 MC	307 029	143
PYK 1,5 ME	307 039	142
PYK 10	307 139	118
PYK 10 E	307 149	149
PYK 10 T	336 530	122
PYK 16	307 659	118
PYK 16 T	336 640	123
PYK 2,5	307 109	117, 123
PYK 2,5 - 2 F	307 179	129
PYK 2,5 - 2 FD A	307 369	130
PYK 2,5 - 2 FD B	307 379	131
PYK 2,5 - 2 FK	307 239	129
PYK 2,5 - 2 FLD	307 349	130
PYK 2,5 - 2 FT	307 189	133
PYK 2,5 - 3 F	307 199	132
PYK 2,5 - 3 FK	307 559	132
PYK 2,5 - 3 FT	307 209	133
PYK 2,5 - M2F	307 699	128
PYK 2,5 - M2FT	307 709	128
PYK 2,5 A	307 169	123,140
PYK 2,5 C	307 389	123,145
PYK 2,5 CCA	307 219	123,140
PYK 2,5 CT	336 540	145
PYK 2,5 E	307 439	144
PYK 2,5 EA	307 459	140
PYK 2,5 ET	336 550	144
PYK 2,5 T	336 500	121
PYK 3 S	307 409	136
PYK 3 SLD (NPN)	307 419	136
PYK 3 SLD (PNP)	307 429	137
PYK 4	307 119	117, 123
PYK 4 - 2 FN	307 579	129
PYK 4 C	307 669	146
PYK 4 CT	336 610	147
PYK 4 E	307 229	123,145
PYK 4 ET	336 600	146
PYK 4 I	307 319	139
PYK 4 ILD	307 329	139
PYK 4 S	307 249	138
PYK 4 SLD	307 259	138
PYK 4 T	336 510	121
PYK 6	307 129	117
PYK 6 C	307 649	149
PYK 6 CT	336 630	149
PYK 6 E	307 639	148
PYK 6 ET	336 620	148
PYK 6 T	336 520	122
PYK Test	498 559	122, 144, 145, 146, 147, 148, 149
PYKM 2,5	307 399	124
PYKM 2,5 T	336 430	125
PYKMR 2,5	307 499	124
RA 10	498 459	289
RR 11 Rubber Glands	630 110	351
RR 13, 5 Rubber Glands	630 135	351
RR 16 Rubber Glands	630 160	351

Type	Cat.No.	Page
RR 21 Rubber Glands	630 210	351
RR 29 Rubber Glands	630 290	351
RR 36 Rubber Glands	630 360	351
RR 42 Rubber Glands	630 420	351
RT	501 101	284
SBK 16/10	401 174	280
SBK 16/5	401 173	280
SBK 35/10	401 183 (AKB Screw)	280
SBK 35/5	401 182 (AKB Screw)	280
SBK 50/10	401 502	280
SBK 50/5	401 501	280
SC-PT 2.5	310 929	265
SC-PTR 2.5	310 949	265
SC-PTS 2.5	310 939	265
SCS 6/2	470 172	101, 197
SCS 6/3	470 173	101, 197
SCS 6/4	470 174	101, 197
SETR Setting Tool for Rivets	553 500	343
SIFX	508 534	329
SIFX 0615 Y	508 530	285, 288, 329
SIFX 0912 Y	508 531	329
SIFX 0915 Y	508 532	329
SIT FP 4407	508 520	288, 329
SK 1 B/W	430 002 / 431 002	279
SK 2 B/W	430 012 / 431 012	279
SK 3 B/W	430 022 / 431 022	279
SK 4 B/W	430 032 / 431 032	279
SKK - MR 35	468 069	287, 289
SLF - P1 W	1020 100	268, 317
SLF - P2 W	1020 110	317
SPYE- 01 SV	808 430	322
SPYE- 04 SV	808 401	322
SPYE-00 SV	808 429	322
SPYE-02 SV	808 400	322
SPYE-03 SV	808 431	322
SPYE-05 SV	808 402	322
SPYE-06 SV	808 432	322
SPYE-06 SV	808 454	322
SRD 10	312 219	254
SRD 10 E	312 229	254
SRD 10 ET	337 240	255
SRD 10 T	337 230	255
SRD 16	312 239	256
SRD 16 T	337 250	256
SRD 2,5	311 059	210
SRD 2,5 A	311 239	217
SRD 2,5 AD-A	311 249	216
SRD 2,5 AD-B	311 259	216
SRD 2,5 AK	311 269	217
SRD 2,5 C	311 119	214
SRD 2,5 CA	311 319	220
SRD 2,5 CAD-A	311 329	221
SRD 2,5 CAD-B	311 339	221
SRD 2,5 CAK	311 349	220
SRD 2,5 CLD-24VAC	311 169	214
SRD 2,5 CT	337 140	215
SRD 2,5 Cx2	311 149	215
SRD 2,5 D-A	311 069	210
SRD 2,5 D-B	311 079	211
SRD 2,5 E	311 089	212
SRD 2,5 EA	311 279	218

Type	Cat.No.	Page
SRD 2,5 EAD-A	311 289	219
SRD 2,5 EAD-B	311 299	219
SRD 2,5 EAK	311 309	218
SRD 2,5 ED-A	311 099	212
SRD 2,5 ED-B	311 109	213
SRD 2,5 ET	337 130	213
SRD 2,5 NT	451 079	222, 223, 224, 225, 226, 227
SRD 2,5 T	337 120	211
SRD 2,5-2F	311 359	222
SRD 2,5-2FD-A	311 369	222
SRD 2,5-2FD-B	311 379	223
SRD 2,5-2FD-L	311 499	223
SRD 2,5-2FD-R	311 389	223
SRD 2,5-2FK	311 519	224
SRD 2,5-2FLD-.....	311 399 / 450	224
SRD 2,5-2FLD-.....	311 949 / 312 000	247
SRD 2,5-2FLD-24VAC	311 409	224
SRD 2,5-2FT	311 619	230
SRD 2,5-2KF	311 569	228
SRD 2,5-2ST	311 659	233
SRD 2,5-2T	337 150	227, 249
SRD 2,5-3F	311 549	228
SRD 2,5-3FK	311 559	229
SRD 2,5-3FLD-24VDC	311 579	229
SRD 2,5-3S	311 629	232
SRD 2,5-3SLD-NPN	311 639	232
SRD 2,5-3SLD-PNP	311 649	233
SRD 2,5-3T	337 160	231
SRD 2,5-F2D-A	311 479	225
SRD 2,5-F2D-B	311 489	225
SRD 2,5-FN	311 509	226
SRD 2,5-FT	311 529	226
SRD 2,5-NFT	311 669	230
SRD 2,5-NT	311 539	227
SRD 4	311 679	234
SRD 4 A	311 869	242
SRD 4 AD-A	311 879	242
SRD 4 AD-B	311 889	243
SRD 4 AF	312 099	250
SRD 4 AK	311 899	243
SRD 4 C	311 739	238
SRD 4 CD-A	311 749	238
SRD 4 CD-B	311 759	239
SRD 4 CLD-24VAC	311 789	240
SRD 4 CT	337 190	241
SRD 4 Cx2	311 769	241
SRD 4 D-A	311 689	234
SRD 4 D-B	311 699	235
SRD 4 E	311 709	236
SRD 4 ED-A	311 719	236
SRD 4 ED-B	311 729	237
SRD 4 ET	337 180	237
SRD 4 SLD 24V	312 139	251
SRD 4 T	337 170	235
SRD 4-2F	311 909	244
SRD 4-2FD-A	311 919	244
SRD 4-2FD-B	311 929	245
SRD 4-2FD-L	312 049	245
SRD 4-2FD-R	311 939	245
SRD 4-2FK	312 069	246
SRD 4-2FLD-24VAC	311 959	246
SRD 4-2T	337 150	227
SRD 4-F2D-A	312 029	247
SRD 4-F2D-B	312 039	247
SRD 4-FN	312 059	248
SRD 4-FT	312 079	248

Type	Cat.No.	Page
SRD 4-NT	312 089	249
SRD 4S	312 119	250
SRD 6	312 199	252
SRD 6 E	312 209	252
SRD 6 ET	337 220	253
SRD 6 T	337 210	253
STRIP & CRIMP SET 1 Hand Tools	562 128	359
STRIPPER 16 Hand Tools	562 114	358, 359
STRIPPER 28 C Hand Tools	562 123	358
T-PBIP 27x15 Y/W	808 161	324
T-PBIP 27x15 Y/W	808 162	324
T-PBIP 27x18 Y/W	808 167	324
T-PBIP 27x8 Y/W	808 166	324
T-PBIP 67x15 Y/W	808 163	324
TF (2.3) Test Plugs and Sockets	493 023	349
TF (Ø2, 3)	493 023	200, 252, 253, 254, 255, 256
TF (Ø4)	493 050	94, 95, 96, 97, 98, 101, 196, 197, 201
TF (Q2) Test Plugs and Sockets	493 020	349
TF (Q4) Test Plugs and Sockets	493 040	349
TF Ø2	493 020	206, 207, 208, 209, 210, 211, 212, 213, 214, 215, 216, 217, 218, 219, 220, 221, 222, 223, 224, 225, 226, 227, 228, 229, 230, 231, 232, 233, 234, 235, 236, 237, 238, 239, 240, 241, 242, 243, 244, 245, 246, 247, 248, 249, 250, 251, 262, 263, 264, 265, 268
TKO 10/10	476 299	37, 48, 95, 96
TKO 10/10/NM	470 369	181
TKO 10/2	476 292	37, 48, 95, 96
TKO 10/2/NM	470 362	181
TKO 10/3	476 293	37, 48, 95, 96
TKO 10/3/NM	470 363	181
TKO 10/4	476 294	37, 48, 95, 96
TKO 10/4/NM	470 364	181
TKO 2,5/10	476 269	36, 44, 274, 275
TKO 2,5/10/NM	470 339	180,183
TKO 2,5/2	476 262	36, 44, 274, 275
TKO 2,5/2/NM	470 332	180,183
TKO 2,5/3	476 263	36, 44, 274, 275
TKO 2,5/3/NM	470 333	180,183
TKO 2,5/4	476 264	36, 44, 274, 275
TKO 2,5/4/NM	470 334	180, 183
TKO 4/10	476 279	36, 44, 49
TKO 4/10/NM	470 349	180,183
TKO 4/2	476 272	37, 44, 49
TKO 4/2/NM	470 342	180,183
TKO 4/3	476 273	36, 44, 49
TKO 4/3/NM	470 343	180,183
TKO 4/4	476 274	36, 44, 49
TKO 4/4/NM	470 344	180,183
TKO 6/10	476 289	37, 94, 95
TKO 6/10/NM	470 359	181, 196
TKO 6/2	476 282	37, 94, 95
TKO 6/2/NM	470 352	181, 196
TKO 6/3	476 283	37, 94, 95
TKO 6/3/NM	470 353	181, 196
TKO 6/4	476 284	37, 94, 95
TKO 6/4/NM	470 354	181, 196
TKO PB 2,5/10	479 019	200
TKO PB 2,5/2	479 012	200
TKO PB 2,5/3	479 013	200
TKO PB 2,5/4	479 014	200

Type	Cat.No.	Page
TKO PB 2,5/7	479 017	200
TKO PB 25/2	479 022	202, 203
TKO- PB 6/10	479 009	99, 198, 201
TKO- PB 6/2	479 002	99, 198, 201
TKO- PB 6/3	479 003	99, 198, 201
TKO- PB 6/4	479 004	99, 198, 201
TKO- PB 6/7	479 004	99, 198, 201
TRV 10	422 037	277
TRV 4	422 017	276
TRV 4 B	422 057	276
TRV 4 M	422 047	277
TRV 4 S	422 027	277
TRV 4 T	422 060	277
TSK 1 (Q2) Test Plugs and Sockets	490 010	349
TSK 10 Test Plugs and Sockets	490 100	349
TSK 3 (Q2.3) Test Plugs and Sockets	490 030	349
TSK 4 (Q2.3) Test Plugs and Sockets	490 040	349
TSK 7 (Q4) Test Plugs and Sockets	490 070	349
TSK 8 (Q4) Test Plugs and Sockets	490 080	349
TSK 9 (Q4) Test Plugs and Sockets	490 090	349
TTKP 8x10	808 158	319
TTKP 8x15	808 159	319
TTKP 8x30	808 160	319
TTSL 40- WH 12,7x19,5	808 070	321
TTSL 40- WH 12,7x36,5	808 072	321
TTSL 40- WH 19x23,8	808 071	321
TTSL 40- WH 19x44,5	808 073	321
TTSL 40- WH 25,4x152,4	808 077	321
TTSL 40- WH 25,4x36,5	808 074	321
TTSL 40- WH 25,4x57,15	808 075	321
TTSL 40- WH 25,4x95,25	808 076	321
TTSL 40- WH 50,8x177,8	808 079	321
TTSL 40- WH 50,8x92,25	808 078	321
Tx300 Thermal Roll Printer	808 452	315, 316
UK 1,5/10	476 609	116, 142, 143
UK 1,5/2	476 602	116, 142, 143
UK 1,5/3	476 603	116, 142, 143
UK 1,5/4	476 604	116, 142, 143
UK 10/10	474 159	37, 48, 53, 80, 181
UK 10/10	476 259	118, 149, 153
UK 10/2	474 152	37, 48, 53, 80, 181
UK 10/2	476 252	118, 149, 153
UK 10/3	474 153	37, 48, 53, 80, 181
UK 10/3	476 253	118, 149, 153
UK 10/4	474 154	37, 48, 53, 80, 181
UK 10/4	476 254	118, 149, 153
UK 13/10	480 209	61
UK 13/2	480 202	61
UK 13/3	480 203	61
UK 13/4	480 204	61
UK 13/7	480 207	61
UK 150/2	478 352	65,67
UK 150/3	478 353	65,67
UK 150/4	478 354	65,67
UK 16/10	474 169	37, 38, 58, 181
UK 16/2	470 142	118
UK 16/2	474 162	37, 38, 58, 181
UK 16/3	470 143	118
UK 16/3	474 163	37, 38, 58, 181
UK 16/4	470 144	118
UK 16/4	474 164	37, 38, 58, 181
UK 16/5	470 145	118
UK 2,5/10	474 129	36, 76, 77, 180, 188, 189, 274, 275

Type	Cat.No.	Page
UK 2,5/10	476 229	44, 45, 49, 54, 76, 77, 88, 117, 128, 129, 130, 131, 132, 133, 137, 140, 144, 145, 152, 156, 157, 159, 162, 163, 166, 167, 169, 171, 176, 272, 273
UK 2,5/10	480 139	82, 83, 84, 85, 192, 193, 194, 195
UK 2,5/10/NM	470 309	183, 188, 189
UK 2,5/2	474 122	36, 76, 77, 180, 188, 189, 274, 275
UK 2,5/2	476 222	44, 45, 49, 54, 76, 77, 88, 117, 128, 129, 130, 131, 132, 133, 136, 137, 140, 144, 145, 152, 156, 157, 159, 162, 163, 166, 167, 169, 171, 176, 272, 273
UK 2,5/2	480 132	82, 83, 84, 85, 192, 193, 194, 195
UK 2,5/2/NM	470 302	183, 188, 189, 193
UK 2,5/20	476 320	44
UK 2,5/3	474 123	36, 76, 77, 180, 188, 189, 274, 275
UK 2,5/3	476 223	44, 45, 49, 54, 76, 77, 88, 117, 128, 129, 130, 131, 132, 133, 136, 137, 140, 144, 145, 152, 156, 157, 159, 162, 163, 166, 167, 169, 171, 176, 272, 273
UK 2,5/3	480 133	82, 83, 84, 85, 192, 193, 194, 195
UK 2,5/3/NM	470 303	183, 188, 189
UK 2,5/4	474 124	36, 76, 77, 180, 188, 189, 274, 275
UK 2,5/4	476 224	44, 45, 49, 54, 76, 77, 88, 117, 128, 129, 130, 131, 132, 133, 136, 137, 140, 144, 145, 152, 156, 157, 159, 162, 163, 166, 167, 169, 171, 176, 272, 273
UK 2,5/4	480 134	82, 83, 84, 85, 192, 193, 194, 195
UK 2,5/4/NM	470 304	183, 188, 189
UK 240/2	478 362	65,67
UK 240/3	478 363	65,67
UK 240/4	478 364	65,67
UK 35/10	474 179	39,58
UK 35/10 RDS	480 219	39,182
UK 35/2	474 172	39,58
UK 35/2 RDS	480 212	39,182
UK 35/3	474 173	39,58
UK 35/3 RDS	480 213	39,182
UK 35/4	474 174	39,58
UK 35/4 RDS	480 214	39,182
UK 4/10	474 139	36, 52, 78, 79, 180, 190, 191
UK 4/10	476 239	44, 45, 48, 49, 54, 78, 79, 80, 90, 91, 117, 129, 145, 146, 164, 165, 182, 183, 190, 191
UK 4/10/NM	470 319	182, 183, 190, 191
UK 4/2	474 132	36, 52, 78, 79, 180, 190, 191

Type	Cat.No.	Page
UK 4/2	476 232	44, 45, 48, 49, 54, 78, 79, 80, 90, 91, 117, 129, 145, 146, 164, 165, 182, 183, 190, 191
UK 4/2/NM	470 312	182, 183, 190, 191
UK 4/20	474 180	36, 52, 78, 79, 180, 190, 191
UK 4/3	474 133	36, 52, 78, 79, 180, 190, 191
UK 4/3	476 233	44, 45, 48, 49, 54, 78, 79, 80, 90, 91, 117, 129, 145, 146, 164, 165, 182, 183, 190, 191
UK 4/3/NM	470 313	182, 183, 190, 191
UK 4/4	474 134	36, 52, 78, 79, 180, 190, 191
UK 4/4	476 234	44, 45, 48, 49, 54, 78, 79, 80, 90, 91, 117, 129, 145, 146, 164, 165, 182, 183, 190, 191
UK 4/4/NM	470 314	182, 183, 190, 191
UK 4/50	476 330	44
UK 50/2	478 332	59, 64, 66
UK 50/3	478 333	59, 64, 66
UK 50/4	478 334	59, 64, 66
UK 6/10	474 149	37, 53, 181
UK 6/10	476 249	93, 96, 97, 107, 108, 117, 138, 139, 148, 149, 153, 170, 171, 172, 173
UK 6/10/NM	470 329	196, 199
UK 6/2	474 142	37, 53, 181
UK 6/2	476 242	93, 96, 97, 107, 108, 117, 138, 139, 148, 149, 153, 170, 171, 172, 173
UK 6/2/NM	470 322	196, 199
UK 6/3	474 143	37, 53, 181
UK 6/3	476 243	93, 96, 97, 107, 108, 117, 138, 139, 148, 149, 153, 170, 171, 172, 173
UK 6/3/NM	470 323	196, 199
UK 6/4	474 144	37, 53, 181
UK 6/4	476 244	93, 96, 97, 107, 108, 117, 138, 139, 148, 149, 153, 170, 171, 172, 173
UK 6/4/NM	470 324	196, 199
UK 70/2	478 372	59, 64, 66
UK 70/3	478 373	59, 64, 66
UK 70/4	478 374	59, 64, 66
UK 9,5/10	480 199	61
UK 9,5/2	480 192	61
UK 9,5/3	480 193	61
UK 9,5/4	480 194	61
UK 9,5/7	480 197	61
UK 95/2	478 342	65,67
UK 95/3	478 343	65,67
UK 95/4	478 344	65,67
UKB 150/2	478 312	68
UKB 150/3	478 313	68
UKB 150/4	478 314	68
UKB 240/2	478 322	69
UKB 240/3	478 323	69
UKB 240/4	478 324	69
UKB 95/2	478 302	68
UKB 95/3	478 303	68
UKB 95/4	478 304	68
VK 1 Self-Adhesive Tie Mounts	542 110 B	351
VK 1 Self-Adhesive Tie Mounts	542 110 S	351

Type	Cat.No.	Page
VK 2 Self-Adhesive Tie Mounts	542 120 B	351
VK 2 Self-Adhesive Tie Mounts	542 120 S	351
WG - EKl SERIES	110 010N... 110 410N	110
WGD 1	495 039	285
WGL 1	375 790 ...92	94
WGO 1	370 590 ...93	94
WGO 2 IR	375 909	96
WGO 2 N	375 890 ...94	95
WGO 3	375 692 ...94	95
WGO 3/NM	309 569	196
WGO 4	376 090	96
WGO 4/NM	309 589	196
WGO 5	376 190	97
WGO 6_KP	469 061	101,197
WGO 6_KP	469 062	101,197
WGO 6_KP	469 063	101,197
WGO 6_KP	469 064	101,197
WGO 6_KP	469 065	101,197
WGO 6_KP	469 067	101,197
WGO 6_PK	469 079	101,197
WGO 6/NM	309 609	101,197
WGO D5	376 290	97
WGO D6/NM	309 619	101,197
WGO PB 6/NM	308 069	99, 198
WGO PBD 6/NM	308 079	99, 198
WGO UAA	498 300	94, 95, 98, 296
WGO Y 6	375 919	98
WGO YD 6	375 929	98
Y-KOIP 209 W	508 060	328
Y-KOIP 209 Y	508 061	328
Y-OIP 1710 W	508 065	328
Y-OIP 1710 Y	508 066	328
Y-PBIP 2715 G	508 821	328
Y-PBIP 2715 W	508 820	328
Y-PBIP 2715 Y	508 822	328
Y-PBIP 5015 G	508 824	328
Y-PBIP 5015 W	508 823	328
Y-PBIP 5015 Y	508 825	328
Y-PBIP 6715 G	508 827	328
Y-PBIP 6715 W	508 826	328
Y-PBIP 6715 Y	508 828	328
YBK 10	306 259	153
YBK 10 T	336 250	155
YBK 2,5	306 229	152
YBK 2,5 - 2 F	316 109	162
YBK 2,5 - 2 FK	316 129	162
YBK 2,5 - 2 FLD	316 319	163
YBK 2,5 - 2 FT	324 809	166
YBK 2,5 - 3 F	324 509	166
YBK 2,5 - 3 FLD (NPN)	324 739	167
YBK 2,5 - 3 FLD (PNP)	324 749	167
YBK 2,5 - 3 FT	324 609	167
YBK 2,5 A	353 209	171
YBK 2,5 C	326 109	175
YBK 2,5 CD	326 219	176
YBK 2,5 CLD	326 319	176
YBK 2,5 CT	336 100	177
YBK 2,5 CX2	326 209	175
YBK 2,5 E	326 059	175
YBK 2,5 ET	336 110	177
YBK 2,5 T	336 220	154
YBK 3 S	324 709	169
YBK 3 SLD (NPN)	324 719	169
YBK 3 SLD (PNP)	324 729	169
YBK 4	306 239	152

Type	Cat.No.	Page
YBK 4 - 2 F	318 109	164
YBK 4 - 2 FD	319	167
YBK 4 - 2 FK	318 129	164
YBK 4 T	336 230	154
YBK 6	306 249	153
YBK 6 T	336 240	155
YBK I	355 129	172
YBK IB	363 209	172
YBK ILD	355 819	173
YBK S	355 119	170
YBK SB	363 109	170
YBK SLD	355 719	171
YK 1 Self-Adhesive Tie Mounts	541 210 B	351
YK 1 Self-Adhesive Tie Mounts	541 210 S	351
YK 2 Self-Adhesive Tie Mounts	541 280 B	351
YK 2 Self-Adhesive Tie Mounts	541 280 S	351

Cat.No.	Type	Page
1020 010	Klemark Ribbon 30x300	317
1020 011	Klemark Ribbon 50x300	317
1020 012	Klemark Ribbon 110x300	317
1020 013	Klemark Ribbon 40x300	317
1020 100	SLF - P1 W	268, 317
1020 110	SLF - P2 W	317
110 010N... 110 410N	WG - EK1 SERIES	110
304 120	AVK 2,5	36
304 130	AVK 4	36
304 140	AVK 6	37
304 150	AVK 10	37
304 160	AVK 16	37
304 160 P	AVK 16 PV	58
304 190 P	AVK 70 PV	59
304 200	AVK 2,5 RD	44, 123
304 210	AVK 4 RD	44, 123
304 240	AVK 16 RD	38
304 250	AVK 35 RD	39
304 250 P	AVK 35 RD PV	58
304 270	AVK 4 GD	49
304 289	AVK 10 RD 4	48
304 290	AVK 25 RD	38
304 300	AVK 95 B	68
304 310	AVK 150 B	68
304 320	AVK 240 B	69
304 330	AVK 50	64
304 330 P	AVK 50 PV	59
304 340	AVK 95	65
304 350	AVK 150	65
304 360	AVK 240	65
304 370	AVK / EK6	65, 67
304 380	AVK 4 A	90
304 390	AVK 4 R	45
304 409	AVK 2,5 R	45
304 419	AVK 2,5 A	88
304 429	MVK 2,5	54
304 439	MVK 4	54
304 440	AVK PB 50	66
304 450	AVK PB 70 RD	66
304 460	AVK PB 95	67
304 470	AVK PB 150	67
304 480	AVK PB 240	67
304 490	AVK 70 RD	64
304 490 P	AVK 70 RD PV	59
304 500	AVK Y 4	52
304 510	AVK Y 6	53
304 520	AVK Y 10	53
304 580	AVK 35 RDS	39
304 590	AVK 35 IRDS	39
304 600	AVK Y 4 A	52
304 621	AVK 2,5 PCN	274
304 630	AVK 2,5 PCLD/24VDC	275
306 229	YBK 2,5	152
306 239	YBK 4	152
306 249	YBK 6	153
306 259	YBK 10	153
306 429	MYK 2,5	156
306 439	MYPK 2,5	157
306 449	MYSK 2,5	157
306 479	MYK 2,5 C	158
306 489	MYPK 2,5 C	158
306 499	MYKR 2,5 C	159
306 509	MYKR 2,5	159
307 009	PYK 1,5	116
307 019	PYK 1,5 M	116
307 029	PYK 1,5 MC	143

Cat.No.	Type	Page
307 039	PYK 1,5 ME	142
307 109	PYK 2,5	117, 123
307 119	PYK 4	117, 123
307 129	PYK 6	117
307 139	PYK 10	118
307 149	PYK 10 E	149
307 169	PYK 2,5 A	123, 140
307 179	PYK 2,5 - 2 F	129
307 189	PYK 2,5 - 2 FT	133
307 199	PYK 2,5 - 3 F	132
307 209	PYK 2,5 - 3 FT	133
307 219	PYK 2,5 CCA	123, 140
307 229	PYK 4 E	123, 145
307 239	PYK 2,5 - 2 FK	129
307 249	PYK 4 S	138
307 259	PYK 4 SLD	138
307 319	PYK 4 I	139
307 329	PYK 4 ILD	139
307 349	PYK 2,5 - 2 FLD	130
307 369	PYK 2,5 - 2 FD A	130
307 379	PYK 2,5 - 2 FD B	131
307 389	PYK 2,5 C	123, 145
307 399	PYKM 2,5	124
307 409	PYK 3 S	136
307 419	PYK 3 SLD (NPN)	136
307 429	PYK 3 SLD (PNP)	137
307 439	PYK 2,5 E	144
307 459	PYK 2,5 EA	140
307 499	PYKMR 2,5	124
307 559	PYK 2,5 - 3 FK	132
307 579	PYK 4 - 2 FN	129
307 639	PYK 6 E	148
307 649	PYK 6 C	149
307 659	PYK 16	118
307 669	PYK 4 C	146
307 699	PYK 2,5 - M2F	128
307 709	PYK 2,5 - M2FT	128
308 009	PB 6/NM	201
308 019	PB 6K/NM	201
308 029	PB 2,5/NM	200
308 039	PB 2,5K/NM	200
308 049	PB 25/NM (M5)	202
308 059	PB 25/NM (M6)	203
308 069	WGO PB 6/NM	99, 198
308 079	WGO PBD 6/NM	99, 198
309 009	AVK 2,5/NM	180
309 019	AVK 4/NM	180
309 029	AVK 6/NM	181
309 039	AVK 10/NM	181
309 059	AVK 16 RD/NM	181
309 089	AVK 35 RDS/NM	182
309 159	AVK 2,5 RD/NM	183
309 169	AVK 4 RD/NM	183
309 179	AVK 4 A/NM	182
309 189	PIK 2,5 N/NM	188
309 199	PIK 2,5 NK/NM	189
309 229	PIK 2,5 NLD/NM	189
309 309	PIK 4 N/NM	190
309 319	PIK 4 NK/NM	191
309 349	PIK 4 NLD/NM	191
309 429	PIK 2,5 RD/NM	188
309 439	PIK 2,5 RDK/NM	189
309 449	PIK 4 RD/NM	190
309 459	PIK 4 RDK/NM	191
309 469	PUK 2 T/NM	192
309 479	PUK 3/NM	192
309 489	PUK 3 T/NM	193

Cat.No.	Type	Page
309 499	PUK 3 S/NM	194
309 509	PUK 3 SLD (NPN)/NM	194
309 519	PUK 3 SLD (PNP)/NM	195
309 569	WGO 3/NM	196
309 589	WGO 4/NM	196
309 609	WGO 6/NM	101, 197
309 619	WGO D6/NM	101, 197
310 109	PTP 2.5	260
310 129	CTP 2.5	260
310 139	CTP 2.5 E	261
310 149	CTP 2.5 C	261
310 159	CTP 2.5 EA	261
310 169	CTP 2.5-2F	262
310 179	CTP 2.5-2FK	262
310 189	CTP 2.5-FT	263
310 209 / 379	SG-PT 2.5	266
310 389 / 559	SG-PT 2.5 CS	266
310 569 / 739	SG-PT 2.5 DB	267
310 749 / 919	SG-PT 2.5 AN	267
310 929	SC-PT 2.5	265
310 939	SC-PTS 2.5	265
310 949	SC-PTR 2.5	265
311 059	SRD 2,5	210
311 069	SRD 2,5 D-A	210
311 079	SRD 2,5 D-B	211
311 089	SRD 2,5 E	212
311 099	SRD 2,5 ED-A	212
311 109	SRD 2,5 ED-B	213
311 119	SRD 2,5 C	214
311 149	SRD 2,5 Cx2	215
311 159 / 210	SRD 2,5 CLD-.....	215
311 169	SRD 2,5 CLD-24VAC	214
311 239	SRD 2,5 A	217
311 249	SRD 2,5 AD-A	216
311 259	SRD 2,5 AD-B	216
311 269	SRD 2,5 AK	217
311 279	SRD 2,5 EA	218
311 289	SRD 2,5 EAD-A	219
311 299	SRD 2,5 EAD-B	219
311 309	SRD 2,5 EAK	218
311 319	SRD 2,5 CA	220
311 329	SRD 2,5 CAD-A	221
311 339	SRD 2,5 CAD-B	221
311 349	SRD 2,5 CAK	220
311 359	SRD 2,5-2F	222
311 369	SRD 2,5-2FD-A	222
311 379	SRD 2,5-2FD-B	223
311 389	SRD 2,5-2FD-R	223
311 399 / 450	SRD 2,5-2FLD-.....	224
311 409	SRD 2,5-2FLD-24VAC	224
311 479	SRD 2,5-F2D-A	225
311 489	SRD 2,5-F2D-B	225
311 499	SRD 2,5-2FD-L	223
311 509	SRD 2,5-FN	226
311 519	SRD 2,5-2FK	224
311 529	SRD 2,5-FT	226
311 539	SRD 2,5-NT	227
311 549	SRD 2,5-3F	228
311 559	SRD 2,5-3FK	229
311 569	SRD 2,5-2KF	228
311 579	SRD 2,5-3FLD-24VDC	229

Cat.No.	Type	Page
311 589 / 600	SRD 2,5 CLD-.....	229
311 619	SRD 2,5-2FT	230
311 629	SRD 2,5-3S	232
311 639	SRD 2,5-3SLD-NPN	232
311 649	SRD 2,5-3SLD-PNP	233
311 659	SRD 2,5-2ST	233
311 669	SRD 2,5-NFT	230
311 679	SRD 4	234
311 689	SRD 4 D-A	234
311 699	SRD 4 D-B	235
311 709	SRD 4 E	236
311 719	SRD 4 ED-A	236
311 729	SRD 4 ED-B	237
311 739	SRD 4 C	238
311 749	SRD 4 CD-A	238
311 759	SRD 4 CD-B	239
311 769	SRD 4 Cx2	241
311 779 / 830	SRD 4 CLD-.....	240
311 789	SRD 4 CLD-24VAC	240
311 869	SRD 4 A	242
311 879	SRD 4 AD-A	242
311 889	SRD 4 AD-B	243
311 899	SRD 4 AK	243
311 909	SRD 4-2F	244
311 919	SRD 4-2FD-A	244
311 929	SRD 4-2FD-B	245
311 939	SRD 4-2FD-R	245
311 949 / 312 000	SRD 2,5-2FLD-.....	247
311 959	SRD 4-2FLD-24VAC	246
312 029	SRD 4-F2D-A	247
312 039	SRD 4-F2D-B	247
312 049	SRD 4-2FD-L	245
312 059	SRD 4-FN	248
312 069	SRD 4-2FK	246
312 079	SRD 4-FT	248
312 089	SRD 4-NT	249
312 099	SRD 4 AF	250
312 119	SRD 4S	250
312 139	SRD 4 SLD 24V	251
312 199	SRD 6	252
312 209	SRD 6 E	252
312 219	SRD 10	254
312 229	SRD 10 E	254
312 239	SRD 16	256
313 009	PAK 25-35	70
313 019	PAK 25-35 KK	70
313 049	PAK 50-70	71
313 059	PAK 50-70 KK	71
313 089	PAK 95-150	71
313 099	PAK 95-150 KK	72
313 129	PAK 185-240	72
313 139	PAK 185-240 KK	73
313 169	PAK 300	73
313 179	PAK 300 KK	73
315 009	ASK 5/NM	199
315 019	ASK 5 LD/NM	199
315 019	ASK 5 LD/NM 24V AC/DC	199
315 029	ASK 5 LD /NM 110V AC/DC	199
315 039	ASK 5 LD /NM 220V AC/DC	199
315 049	PIK 2,5 ND/NM	189
315 069	PIK 4 ND/NM	191
316 109	YBK 2,5 - 2 F	162
316 129	YBK 2,5 - 2 FK	162

Cat.No.	Type	Page
316 219 / 229	YBK 2,5 - 2 FD	163
316 319	YBK 2,5 - 2 FLD	163
317 109	PIK 2,5 N	76
317 129	PIK 2,5 NK	77
317 219	PIK 2,5 ND	77
317 319	PIK 2,5 NLD	77, 189
318 109	YBK 4 - 2 F	164
318 129	YBK 4 - 2 FK	164
318 219 / 229	YBK 4 - 2 FD	165
318 319 / 729	YBK 4 - 2 FLD	165
319 109	PIK 4 N	78
319 129	PIK 4 NK	79
319 219	PIK 4 ND	79, 191
319 319	PIK 4 NLD	79, 191
319 809	PIK 4 FS	80
319 909	PIK 10 N	80
324 109	PUK 3	82
324 209	PUK 2 T	82
324 309	PUK 3 T	83
324 409	PUK 3 S	84
324 419	PUK 3 SLD (NPN)	84
324 429	PUK 3 SLD (PNP)	85
324 509	YBK 2,5 - 3 F	166
324 609	YBK 2,5 - 3 FT	167
324 709	YBK 3 S	169
324 719	YBK 3 SLD (NPN)	169
324 729	YBK 3 SLD (PNP)	169
324 739	YBK 2,5 - 3 FLD (NPN)	167
324 749	YBK 2,5 - 3 FLD (PNP)	167
324 809	YBK 2,5 - 2 FT	166
324 909	AVK 2,5 CC	49
324 919	AVK 2,5 CF	56
324 929	AVK 2,5 F	56
324 939	AVK 2,5 CCA	89
324 949	AVK 2,5 EA	89
325 209	AVK 4 CC	49
325 219	AVK 4 CCA	91
325 229	AVK 4 CE	48
325 239	AVK 4 CEA	90
325 249	PIK 2,5 RD	76
325 259	PIK 2,5 RDK	77
325 349	PIK 4 RD	78
325 359	PIK 4 RDK	79
326 059	YBK 2,5 E	175
326 109	YBK 2,5 C	175
326 209	YBK 2,5 CX2	175
326 219	YBK 2,5 CD	176
326 319	YBK 2,5 CLD	176
326 809	CPB 6	61
326 819	CPB 6 B	61
326 829	CPB 6 U	61
334 170	AVK 2,5 T RD	46
334 180	AVK 4 T RD	46
334 190	AVK 50 T	43
334 200	AVK 16 T RD	41
334 210	AVK 35 T RD	41
334 220	AVK 2,5 CCT	50
334 240	AVK 35 T RDS	42
334 250	AVK 35 T IRDS	42
334 260	AVK 4 CCT	50
334 270	AVK 4 RT	47
334 280	AVK 2,5 RT	47
334 420	MVK 2,5 T	55

Cat.No.	Type	Page
334 430	MVK 4 T	55
334 450	AVK 2,5 / 4 TK	40
334 460	AVK 6 TK	40
334 470	AVK 10 TK	41
336 100	YBK 2,5 CT	177
336 110	YBK 2,5 ET	177
336 220	YBK 2,5 T	154
336 230	YBK 4 T	154
336 240	YBK 6 T	155
336 250	YBK 10 T	155
336 420	MYK 2,5 T	156
336 430	PYKM 2,5 T	125
336 440	PYK 1, 5 MT	120
336 450	PYK 1, 5 MCT	143
336 460	PYK 1, 5 MET	142
336 490	PYK 1, 5 T	120
336 500	PYK 2,5 T	121
336 510	PYK 4 T	121
336 520	PYK 6 T	122
336 530	PYK 10 T	122
336 540	PYK 2,5 CT	145
336 550	PYK 2,5 ET	144
336 560	PIK 2,5 NT	81
336 570	PIK 4 NT	81
336 600	PYK 4 ET	146
336 610	PYK 4 CT	147
336 620	PYK 6 ET	148
336 630	PYK 6 CT	149
336 640	PYK 16 T	123
336 660	AVK 70/95 T	43
337 000	PB 6 T/NM	202
337 010	PB 2,5T/NM	201
337 020	PTP 2.5 T	263
337 040	CTP 2.5 T	263
337 050	CTP 2.5 ET	264
337 060	CTP 2.5 CT	264
337 070	CTP 2.5-2T	265
337 120	SRD 2,5 T	211
337 130	SRD 2,5 ET	213
337 140	SRD 2,5 CT	215
337 150	SRD 2,5-2T	227
337 150	SRD 4-2T	249
337 160	SRD 2,5-3T	231
337 170	SRD 4 T	235
337 180	SRD 4 ET	237
337 190	SRD 4 CT	241
337 210	SRD 6 T	253
337 220	SRD 6 ET	253
337 230	SRD 10 T	255
337 240	SRD 10 ET	255
337 250	SRD 16 T	256
341 010	AVK 2,5 / 4 TK/NM	184
341 020	AVK 6 TK/NM	184
341 030	AVK 10 TK/NM	185
341 040	AVK 16 T RD/NM	185
341 060	AVK 35 T RDS/NM	186
341 090	AVK 2,5 T RD/NM	186
341 100	AVK 4 T RD/NM	187
351 129	ASK 4 S	109
351 719	ASK 4 LD	109
353 209	YBK 2,5 A	171
353 309	AVK 4 FS	107
353 329	AVK 4 FSLD	107
353 409	ASK 5	108
353 419	ASK 5 B	93
353 429	ASK 5 LD	108
354 109	ASK 3 F	106

Cat.No.	Type	Page
354 219	ASK 3 FLD	106
355 119	YBK S	170
355 129	YBK I	172
355 719	YBK SLD	171
355 819	YBK ILD	173
360 119	ASK 2 B	88
360 129	ASK 4 B	92
362 009	ASK 3 FB	92
363 009	ASK 3 MB	93
363 109	YBK SB	170
363 209	YBK IB	172
364 019	PCY 2,5	272
364 029	PCY 2,5 L	273
364 059	PCY 2,5 E	273
364 069	PCY 2,5 EL	273
364 080	PCY 2,5 N	272
364 610	AVK 2,5 PC	274
370 590 ...93	WGO 1	94
375 692 ...94	WGO 3	95
375 790 ...92	WGL 1	94
375 890 ...94	WGO 2 N	95
375 909	WGO 2 IR	96
375 919	WGO Y 6	98
375 929	WGO YD 6	98
376 090	WGO 4	96
376 190	WGO 5	97
376 290	WGO D5	97
395 100	AYK 10/16	102
395 200	AYK 10/16	102
395 220	AYK 10/16-2, 3, 4, 5	103
400 110	BIK 1	280
400 120	BIK 2	280
400 130	BIK 3	280
400 140	BIK 4	280
400 150	BIK 5	280
401 173	SBK 16/5	280
401 174	SBK 16/10	280
401 180 / 401 182 (AKB Screw)	SBK 35/5	280
401 501	SBK 50/5	280
401 502	SBK 50/10	280
420 020	PSK 1/2	278
420 120	PSK 1/12	278
421 020	PSK 2/2	278
421 100	PSK 2/10	278
422 017	TRV 4	276
422 027	TRV 4 S	277
422 037	TRV 10	277
422 047	TRV 4 M	277
422 057	TRV 4 B	276
422 060	TRV 4 T	277
423 099, 423 090, 423 099	PCY IT	272, 273, 274, 275
425 235	BUK 2,5/3	278
425 245	BUK 2,5/4	278
425 255	BUK 2,5/5	278
425 350	BUK 4/3	278
430 002 / 431 002	SK 1 B/W	279
430 012 / 431 012	SK 2 B/W	279

Cat.No.	Type	Page
430 022 / 431 022	SK 3 B/W	279
430 032 / 431 032	SK 4 B/W	279
444 120	NPP/AVK 2,5-10	36, 37, 44, 274, 275
444 132T	NPP/AVK 2,5 CCT	50
444 139	NPP/AVK 2,5 CC	49, 56, 89
444 140	NPP/AVK 4GD	49
444 160	NPP / AVK 16	37, 58
444 170	NPP/AVK 16 RD	38
444 422T	NPP/MVK 2,5T	55
444 429	NPP/MVK 2,5-4	54
446 212T	NPP/YBK 2,5 E	177
446 219	NPP/YBK 2,5 E	175
446 249	NPP YBK 2,5-3 F	166, 167
446 259	NPP YBK 2,5-3 FT	167
446 269	NPP YBK 2,5-2 F	164
446 269	NPP YBK 4-2 F	165
446 272T	NPP/YBK 2,5 CT	177
446 279	NPP/YBK 2,5 C	175, 176
446 289	NPP YBK 3 S	169
446 299	NPP YBK 2,5-2 F	162, 163, 164
446 299	NPP YBK 2,5-2 T	166
446 322T	NPP/YBK 2,5 T	154
446 329	NPP/YBK 2,5	152
446 332T	NPP/YBK 4 T	154
446 339	NPP/YBK 4	152
446 342T	NPP/YBK 6 T	155
446 349	NPP/YBK 6	153
446 352T	NPP/YBK 10 T	155
446 359	NPP/YBK 10	153
446 422T	NPP 1 MYK 2,5 T	156
446 429	NPP MYK 1	157
446 429	NPP 1 MYK	158, 159
446 432T	NPP 2 MYK 2,5 T	156
446 439	NPP MYK 2	157
446 439	NPP 2 MYK	156, 158, 159
446 449	NPP/PYK 1, 5	116
446 449	NPP/PYK 2, 5	117
446 459	NPP/PYK 4	117
446 469	NPP/PYK 6	117
446 479	NPP/PYK 10	118
446 492T	NPP/PYK 2,5 CT	145
446 499	NPP/PYK 2,5 C	145
446 509	NPP/PYK 2,5 A	140
446 519	NPP PYK 2,5-2 F	129
446 519	NPP PYK 2,5-2 FLD	130, 131
446 529	NPP PYK 2,5-3 F	132
446 529	NPP PYK 2,5-3 FT	133
446 539	NPP PYK 2,5-3 FT	133
446 549	NPP/PYK 2,5 CCA	140
446 552T	NPP/PYK 4 ET	146
446 559	NPP/PYK 4 E	145
446 589	NPP1 PYKMR 2,5	124
446 589	NPP1 PYKM 2,5	124, 125
446 599	NPP2 PYKMR 2,5	124
446 599	NPP2 PYKM 2,5	124
446 609	NPP PYK 3 S	136, 137
446 612T	NPP/PYK 2,5 ET	144
446 619	NPP/PYK 2,5 E	144
446 629	NPP/PYK 2,5 EA	140
446 639	NPP/PYK 1,5 M	116
446 642T	NPP/PYK 1,5 MET	142
446 649	NPP/PYK 1,5 ME	142
446 652T	NPP/PYK 1,5 MCT	143
446 659	NPP/PYK 1,5 MC	143
446 669	NPP PYK 4-2 FN	129

Cat.No.	Type	Page
446 672T	NPP/PYK 4 CT	147
446 679	NPP/PYK 4C	146, 147
446 682T	NPP/PYK 6 ET	148
446 689	NPP/PYK 6 E	148
446 692T	NPP/PYK 6 CT	149
446 699	NPP/PYK 6 C	149
446 709	NPP/PYK 10E	149
449 012T	NPP/PIK 2,5 - 4 NT	81
449 019	NPP/PIK 2,5-4 N	76, 77, 78, 79
449 029	NPP/PIK 4 FS	80
449 039	NPP/PIK 10 N	80
450 049	NPP/ASK 2	88, 144
450 059	NPP/ASK 3	92, 93, 105, 106,
450 069	NPP/YBK S	170, 171, 172, 173
450 090	NPP/AYK	102, 103
450 109	NPP/WGO 1	94
450 139	NPP/PUK 3	82
450 149	NPP/PUK 2 T	82
450 169	NPP/PUK 3 S	84, 85
450 191	NPP/PCY 2,5 N	272
450 199	NPP/PCY 2,5	272, 273
450 209	NPP/AVK 4 FS	107
450 219	NPP/YBK 2,5 A	171
450 220	NPP/WGO 3	95
450 229	NPP/WGO 3	95
450 230	NPP/WGO 2 N	95
450 249	NPP/WGO 2 IR	96
450 250	NPP/AVK 25 RD	38
450 260	NPP/AVK Y 10	53
450 279	NPP/WGO Y 6	98
450 279	NPP/WGO YD 6	98
450 289	NPP/CPB 6	61
450 299	NPP/CPB 6	61
450 300	NPP AVK Y 4/6	52, 53
450 330	NPP/AVK 4 R	45
450 330	NPP/AVK 4 R-A	90
450 330	NPP/AVK 2,5 A	88
450 330	NPP/AVK 2,5 R	45
450 332 T	NPP /AVK 4 RT	47
450 332 T	NPP /AVK 2,5 RT	47
450 342 T	NPP/AVK 4 CCT	50
450 349	NPP/AVK 4 CC	49
450 349	NPP/AVK 4 CE	48
450 349	NPP/AVK 4 CEA	90
450 349	NPP/AVK 4 CA	91
450 359	NPP/WGO 5	97
450 390	NPP AVK Y 4A	52
450 419	NPP/PYK 16	118
450 429	NPP PYK 2,5-M2FT	128
450 439	NPP PYK 2,5-M2F	128
451 009	NPP/WGO PB 6	99, 198
451 019	NPP / PB 6/NM	201
451 029	NPP/PB 2,5/NM	200
451 039	NPP PB 25/NM	202, 203
451 049	NPP/AVK 16 RD/NM	181
451 052T	NPP/SRD 2,5	263
451 059	NPP/SRD 2,5	206, 210, 211
451 059	NPP/SRD 2,5 C	214
451 069	NPP/AVK 2,5-10/NM	180, 181
451 072T	NPP/SRD 2,5	183, 227
451 079	NPP/SRD 2,5_2F	209, 222, 223, 224, 225, 226, 227, 262, 263
451 099	NPP/CTP 2,5 C	261
451 102T	NPP/SRD 2,5_3F	231
451 109	NPP/SRD 2,5_3F	228, 229, 230
451 119	NPP SC-PT 2,5	265
451 152T	NPP/SRD 2,5 C	264

Cat.No.	Type	Page
451 159	NPP/SRD 2,5E	207, 212, 213, 216, 217
451 159	NPP/CTP 2,5	261
451 169	NPP/SRD 2,5CA	220, 221
451 179	NPP/SRD 2,5-3S	232, 233
451 182T	NPP/SRD 2,5CT	208, 215
451 189	NPP/SRD 2,5C	208, 214, 215, 218, 219
451 192T	NPP/SRD 4E	237
451 199	NPP/SRD 4E	236, 237, 242, 243, 250, 251
451 202T	NPP/SRD 24C	241
451 209	NPP/SRD 4C	238, 239, 240, 241
451 212T	NPP/SRD 4-2F	249
451 219	NPP/SRD 4_2F	244, 245, 246, 247, 249
451 229	NPP/SRD 4AF	250
451 239	NPP/SRD 4	234, 235
451 249	NPP/SRD 6	252
451 259	NPP/SRD 6 E	252
451 279	NPP/SRD 10	254
451 299	NPP/SRD 10 E	254
451 309	NPP/PIK 2,5-4 N/NM	188, 189, 190, 191
451 319	NPP/AVK 4 R-A/NM	182
451 329	NPP/PUK 2 T/NM	192
462 120	APP/AVK 2,5-10	36, 37, 44, 286
462 160	APP / AVK 16	37, 58, 286
462 170	APP/AVK 16 RD	38, 286
462 180	APP/AVK 35 RD	38, 58, 286
463 180	APP PYK 1, 5 M	116
463 180	APP/PYK 1, 5-2,5-4	117, 287
463 190	APP PYK 6	117, 287
463 200	APP PYK 10	118, 287
463 219	APP/WGO 5	97, 287
464 009	APP-PB 2,5-6/NM	200, 201, 286
464 019	APP PB 25/NM	202, 203, 286
464 019	APP/ WGO PB6	99, 198
464 029	APP/SRD 2,5	206, 210, 211, 260, 263
464 029	APP/SRD 2,5 C	214
464 029	APP/SRD CTP 2,5	268
464 059	APP/AVK 2,5-10/NM	180, 181, 183
464 069	APP/SRD 2,5_2F	209, 222, 223, 224, 225, 226, 227, 262, 263
464 079	APP/SRD 2,5 E	207, 212, 213, 216, 217, 261, 264
464 089	APP/SRD 2,5 CA	220, 221
464 119	APP/SRD 2,5 C	208, 214, 215, 218, 219
464 129	APP/SRD 4E	236, 237, 242, 243, 250, 251
464 139	APP/SRD 4C	238, 239, 240, 241
464 149	APP/SRD 4	234, 235
464 159	APP/SRD 4_2F	244, 245, 246, 247, 248, 249
464 169	APP/SRD 4AF	250
464 179	APP/SRD 6	252, 253
464 189	APP/SRD 6 E	252, 253
464 199	APP/SRD 10	254, 255
464 219	APP/SRD 10 E	254, 255
464 229	APP/AVK 16 RD/NM	181
466 100	KKB 95	68
466 110	KKB 150	68
466 120	KKB 240	69
467 919	AD 1	76, 77, 78, 79, 188, 189, 190, 191, 286
468 059	AD 2	286
468 059	AD 3	286
468 069	SKK-MR35	287, 289
469 061	WGO 6_KP	101, 203
469 062	WGO 6_KP	101, 203
469 063	WGO 6_KP	101, 203

Cat.No.	Type	Page
469 064	WGO 6_KP	101, 197
469 065	WGO 6_KP	101, 197
469 067	WGO 6_KP	101, 197
469 079	WGO 6_PK	101, 197
470 102	CS 2,5/2	210, 211, 213, 214, 215, 216, 217, 218, 219, 220, 221, 222, 223, 224, 225, 226, 227, 228, 229, 230, 232, 233, 260, 261, 262, 263, 267
470 103	CS 2,5/3	210, 211, 213, 214, 215, 216, 217, 218, 219, 220, 221, 222, 223, 224, 225, 226, 227, 228, 229, 230, 232, 233, 260, 261, 262, 263, 267
470 104	CS 2,5/4	210, 211, 213, 214, 215, 216, 217, 218, 219, 220, 221, 222, 223, 224, 225, 226, 227, 228, 229, 230, 232, 233, 260, 261, 262, 263, 267
470 105	CS 2,5/5	210, 211, 213, 214, 215, 216, 217, 218, 219, 220, 221, 222, 223, 224, 225, 226, 227, 228, 229, 230, 232, 233, 260, 261, 262, 263, 267
470 109	CS 2,5/10	210, 211, 213, 214, 215, 216, 217, 218, 219, 220, 221, 222, 223, 224, 225, 226, 227, 228, 229, 230, 232, 233, 260, 261, 262, 263, 267
470 112	CS 4/2	233, 234, 235, 236, 237, 238, 239, 240, 241, 242, 243, 244, 245, 246, 247, 248, 249, 250, 251
470 113	CS 4/3	233, 234, 235, 236, 237, 238, 239, 240, 241, 242, 243, 244, 245, 246, 247, 248, 249, 250, 251
470 114	CS 4/4	233, 234, 235, 236, 237, 238, 239, 240, 241, 242, 243, 244, 245, 246, 247, 248, 249, 250, 251
470 115	CS 4/5	233, 234, 235, 236, 237, 238, 239, 240, 241, 242, 243, 244, 245, 246, 247, 248, 249, 250, 251
470 119	CS 4/10	233, 234, 235, 236, 237, 238, 239, 240, 241, 242, 243, 244, 245, 246, 247, 248, 249, 250, 251
470 122	CS 6/2	101, 197, 252
470 123	CS 6/3	101, 197, 252
470 124	CS 6/4	101, 197, 252
470 125	CS 6/5	101, 197, 252
470 129	CS 6/10	101, 197, 252
470 132	CS 10/2	254
470 133	CS 10/3	254
470 134	CS 10/4	254
470 135	CS 10/5	254
470 139	CS 10/10	254
470 142	UK 16/2	118
470 143	UK 16/3	118
470 144	UK 16/4	118
470 145	UK 16/5	118
470 152	CS 16/2	256
470 170	CS 2,5/20	210, 211, 212, 213, 214, 215, 216, 217, 218, 219, 220, 221, 222, 223, 224, 225, 226, 227, 228, 229, 230, 232, 233, 260, 261, 262, 263
470 172	SCS 6/2	101, 197
470 173	SCS 6/3	101, 197

Cat.No.	Type	Page
470 174	SCS 6/4	101, 197
470 180	CS 4/20	234, 235, 236, 237, 238, 239, 240, 241, 242, 243, 244, 245, 246, 247, 248, 249, 250, 251
470 302	UK 2,5/2/NM	183, 188, 189
470 303	UK 2,5/3/NM	183, 188, 189
470 304	UK 2,5/4/NM	183, 188, 189
470 309	UK 2,5/10/NM	183, 188, 189
470 312	UK 4/2/NM	182, 183, 190, 191
470 313	UK 4/3/NM	182, 183, 190, 191
470 314	UK 4/4/NM	182, 183, 190, 191
470 319	UK 4/10/NM	182, 183, 190, 191
470 322	UK 6/2/NM	196, 199
470 323	UK 6/3/NM	196, 199
470 324	UK 6/4/NM	196, 199
470 329	UK 6/10/NM	196, 199
470 332	TKO 2,5/2/NM	180, 183
470 333	TKO 2,5/3/NM	180, 183
470 334	TKO 2,5/4/NM	180, 183
470 339	TKO 2,5/10/NM	180, 183
470 342	TKO 4/2/NM	180, 183
470 343	TKO 4/3/NM	180, 183
470 344	TKO 4/4/NM	180, 183
470 349	TKO 4/10/NM	180, 183
470 352	TKO 6/2/NM	181, 196
470 353	TKO 6/3/NM	181, 196
470 354	TKO 6/4/NM	181, 196
470 359	TKO 6/10/NM	181, 196
470 362	TKO 10/2/NM	181
470 363	TKO 10/3/NM	181
470 364	TKO 10/4/NM	181
470 369	TKO 10/10/NM	181
470 372	IZUK 6/2/NM	196
470 373	IZUK 6/3/NM	196
470 374	IZUK 6/4/NM	196
470 376	IZUK 6/6/NM	196
470 379	IZUK 6/10/NM	196
474 122	UK 2,5/2	36, 76, 77, 180, 188, 189, 274, 275
474 123	UK 2,5/3	36, 76, 77, 180, 188, 189, 274, 275
474 124	UK 2,5/4	36, 76, 77, 180, 188, 189, 274, 275
474 129	UK 2,5/10	36, 76, 77, 180, 188, 189, 274, 275
474 132	UK 4/2	36, 52, 78, 79, 180, 190, 191
474 133	UK 4/3	36, 52, 78, 79, 180, 190, 191
474 134	UK 4/4	36, 52, 78, 79, 180, 190, 191
474 139	UK 4/10	36, 52, 78, 79, 180, 190, 191
474 142	UK 6/2	37, 53, 181
474 143	UK 6/3	37, 53, 181
474 144	UK 6/4	37, 53, 181
474 149	UK 6/10	37, 53, 181
474 152	UK 10/2	37, 48, 53, 80, 181
474 153	UK 10/3	37, 48, 53, 80, 181
474 154	UK 10/4	37, 48, 53, 80, 181
474 159	UK 10/10	37, 48, 53, 80, 181
474 162	UK 16/2	37, 38, 58, 181
474 163	UK 16/3	37, 38, 58, 181
474 164	UK 16/4	37, 38, 58, 181
474 169	UK 16/10	37, 38, 58, 181
474 172	UK 35/2	39, 58

Cat.No.	Type	Page
474 173	UK 35/3	39, 58
474 174	UK 35/4	39, 58
474 179	UK 35/10	39, 58
474 180	UK 4/20	36, 52, 78, 79, 186, 196, 197
476 222	UK 2,5/2	44, 45, 49, 54, 76, 77, 88, 117, 128, 129, 130, 131, 132, 133, 136, 137, 140, 144, 145, 152, 156, 157, 159, 162, 163, 166, 167, 169, 171, 175, 176, 272, 273
476 223	UK 2,5/3	44, 45, 49, 54, 76, 77, 88, 117, 128, 129, 130, 131, 132, 133, 136, 137, 140, 144, 145, 152, 156, 157, 159, 162, 163, 166, 167, 169, 171, 175, 176, 272, 273
476 224	UK 2,5/4	44, 45, 49, 54, 76, 77, 88, 117, 128, 129, 130, 131, 132, 133, 136, 137, 140, 141, 146, 147, 154, 158, 159, 161, 164, 165, 168, 169, 172, 173, 175, 180, 181, 182, 278, 279
476 229	UK 2,5/10	44, 45, 49, 54, 76, 77, 88, 117, 128, 129, 130, 131, 132, 133, 136, 137, 140, 144, 145, 152, 156, 157, 159, 162, 163, 166, 167, 169, 171, 175, 176, 272, 273
476 232	UK 4/2	44, 45, 48, 49, 54, 78, 79, 80, 90, 91, 92, 93, 105, 106, 117, 129, 145, 146, 152, 164, 165
476 233	UK 4/3	44, 45, 48, 49, 54, 78, 79, 80, 90, 91, 92, 93, 105, 106, 117, 129, 145, 146, 152, 164, 165
476 234	UK 4/4	44, 45, 48, 49, 54, 78, 79, 80, 90, 91, 92, 93, 105, 106, 117, 129, 145, 146, 152, 164, 165
476 239	UK 4/10	44, 45, 48, 49, 54, 78, 79, 80, 90, 91, 92, 93, 105, 106, 117, 129, 145, 146, 152, 164, 165
476 242	UK 6/2	93, 96, 97, 107, 108, 117, 138, 139, 148, 149, 153, 170, 171, 172, 173,
476 243	UK 6/3	93, 96, 97, 107, 108, 117, 138, 139, 148, 149, 153, 170, 171, 172, 173,
476 244	UK 6/4	93, 96, 97, 107, 108, 117, 138, 139, 148, 149, 153, 170, 171, 172, 173
476 249	UK 6/10	93, 96, 97, 107, 108, 117, 138, 139, 148, 149, 153, 170, 171, 172, 173
476 252	UK 10/2	118, 149, 153
476 253	UK 10/3	118, 149, 153
476 254	UK 10/4	118, 149, 153
476 259	UK 10/10	118, 149, 153
476 262	TKO 2,5/2	36, 44, 274, 275
476 263	TKO 2,5/3	36, 44, 274, 275
476 264	TKO 2,5/4	36, 44, 274, 275
476 269	TKO 2,5/10	36, 44, 274, 275
476 272	TKO 4/2	36, 44, 49
476 273	TKO 4/3	36, 44, 49
476 274	TKO 4/4	36, 44, 49
476 279	TKO 4/10	36, 44, 49
476 282	TKO 6/2	37, 94, 95
476 283	TKO 6/3	37, 94, 95

Cat.No.	Type	Page
476 284	TKO 6/4	37, 94, 95
476 289	TKO 6/10	37, 94, 95
476 292	TKO 10/2	37, 48, 95, 96
476 293	TKO 10/3	37, 48, 95, 96
476 294	TKO 10/4	37, 48, 95, 96
476 299	TKO 10/10	37, 48, 95, 96
476 302	IZUK 6/2	94, 95, 96, 98
476 303	IZUK 6/3	94, 95, 96, 98
476 304	IZUK 6/4	94, 95, 96, 98
476 306	IZUK 6/6	94, 95, 96, 98
476 309	IZUK 6/10	94, 95, 96, 98
476 320	UK 2,5/20	44
476 330	UK 4/50	44
476 402	IZUK 10/2	95
476 403	IZUK 10/3	95
476 404	IZUK 10/4	95
476 406	IZUK 10/6	95
476 409	IZUK 10/10	95
476 502	IZUK 10W/2	96
476 503	IZUK 10W/3	96
476 504	IZUK 10W/4	96
476 506	IZUK 10W/6	96
476 509	IZUK 10W/10	96
476 602	UK 1,5/2	116, 142, 143
476 603	UK 1,5/3	116, 142, 143
476 604	UK 1,5/4	116, 142, 143
476 609	UK 1,5/10	116, 142, 143
478 302	UKB 95/2	68
478 303	UKB 95/3	68
478 304	UKB 95/4	68
478 312	UKB 150/2	68
478 313	UKB 150/3	68
478 314	UKB 150/4	68
478 322	UKB 240/2	69
478 323	UKB 240/3	69
478 324	UKB 240/4	69
478 332	UK 50/2	59, 64, 66
478 333	UK 50/3	59, 64, 66
478 334	UK 50/4	59, 64, 66
478 342	UK 95/2	65, 67
478 343	UK 95/3	65, 67
478 344	UK 95/4	65, 67
478 352	UK 150/2	65, 67
478 353	UK 150/3	65, 67
478 354	UK 150/4	65, 67
478 362	UK 240/2	65, 67
478 363	UK 240/3	65, 67
478 364	UK 240/4	65, 67
478 372	UK 70/2	59, 64, 66
478 373	UK 70/3	59, 64, 66
478 374	UK 70/4	59, 64, 66
479 002	TKO- PB 6/2	99, 198, 201
479 003	TKO- PB 6/3	99, 198, 201
479 004	TKO- PB 6/4	99, 198, 201
479 004	TKO- PB 6/7	99, 198, 201
479 009	TKO- PB 6/10	99, 198, 201
479 012	TKO PB 2,5/2	200
479 013	TKO PB 2,5/3	200
479 014	TKO PB 2,5/4	200
479 017	TKO PB 2,5/7	200
479 019	TKO PB 2,5/10	200
479 022	TKO PB 25/2	202, 203
480 132	UK 2,5/2	82, 83, 84, 85, 192, 193, 194, 195
480 133	UK 2,5/3	82, 83, 84, 85, 192, 193, 194, 195

Cat.No.	Type	Page
480 134	UK 2,5/4	82, 83, 84, 85, 192, 193, 194, 195
480 139	UK 2,5/10	82, 83, 84, 85, 192, 193, 194, 195
480 192	UK 9,5/2	61
480 193	UK 9,5/3	61
480 194	UK 9,5/4	61
480 197	UK 9,5/7	61
480 199	UK 9,5/10	61
480 202	UK 13/2	61
480 203	UK 13/3	61
480 204	UK 13/4	61
480 207	UK 13/7	61
480 209	UK 13/10	61
480 212	UK 35/2 RDS	39, 182
480 213	UK 35/3 RDS	39, 182
480 214	UK 35/4 RDS	39, 182
480 219	UK 35/10 RDS	39, 182
490 010	TSK 1 (Q2) Test Plugs and Sockets	349
490 030	TSK 3 (Q2.3) Test Plugs and Sockets	349
490 040	TSK 4 (Q2.3) Test Plugs and Sockets	349
490 070	TSK 7 (Q4) Test Plugs and Sockets	349
490 080	TSK 8 (Q4) Test Plugs and Sockets	349
490 090	TSK 9 (Q4) Test Plugs and Sockets	349
490 100	TSK 10 Test Plugs and Sockets	349
493 020	TF (Q2) Test Plugs and Sockets	349
		206, 207, 208, 209, 210, 211, 212, 213, 214, 215, 216, 217, 218, 219, 220, 221, 222, 223, 224, 225, 226, 227, 228, 229, 230, 231, 232, 233, 234, 235, 236, 237, 238, 239, 240, 241, 242, 243, 244, 245, 246, 247, 248, 249, 250, 251, 262, 263, 264, 265, 266, 267, 268
T493 023	TF (Ø2, 3)	200, 252, 253, 254, 255, 256
493 023	TF (2.3) Test Plugs and Sockets	349
493 040	TF (Q4) Test Plugs and Sockets	349
493 050	TF (Ø4)	94, 95, 96, 97, 98, 101, 196, 197, 201
495 039	WGD 1	285
495 049	KD 3	285
495 059	KD 4	285
495 069	KD 5	285
495 079	NPP MYPD 1	157, 158
495 089	NPP MYPD 2	157, 158
495 099	KD 6	285
495 109	KD 6A	285, 289
495 209	KD 6T	285
495 219	KD 7	285
495 229	KD 8	251, 252, 253, 254, 255, 256, 285
496 110	GE	288
496 12A	ME 1 - 1	288
496 13A	ME 1 - 2	288
496 14A	ME 2 - 2	288
496 300	ME 3	288
496 310	GE 4	288
496 329	ME4	285
497 069	KD 8/NM	268, 285
498 110	IP 1S	329
498 120	IP 1	329
498 130	IP 2S	329
498 140	IP 2	329
498 143	IP 3S	329
498 145	IP 3	329
498 150	IP 2T	329

Cat.No.	Type	Page
498 160	IP 4S	329
498 170	IP 4	329
498 187	KD 6A	289
498 190	Cover for KD 6A	289
498 210	ETS 2 PYK 2,5	318
498 217	ETS 2 PYK 2,5	318
498 219	ETS 2 PYK 2,5	318
498 220	ETS 3 PYK 2,5	318
498 227	ETS 3 PYK 2,5	318
498 229	ETS 3 PYK 2,5	318
498 230	ETS 2 PYK 4	318
498 237	ETS 2 PYK 4	318
498 239	ETS 2 PYK 4	318
498 240	IP 5	329
498 250	IP 5S	329
498 260	Cover WGO 5	97
498 289	ETS	318
498 300	WGO UAA	94, 95, 98, 196
498 459	RA 10	289
498 559	PYK Test	123, 144, 145, 146, 147, 148, 149,
498 759	AVK SKT	57
498 859	AVK SKTD	57
498 959	AVK AS	91
499 059	AVK ASD	91
499 559	ATCS 6	101, 197
500 101	MR 32	284
500 601	MR 35 x 7,5	268, 284
500 602	MR 35 x 7,5	268, 284
500 602E	MR 35 x 7,5	284
500 606	MR 35 x 15	268, 284
500 607	MR 35 x 15	268, 284
500 610	MR 15 x 5,5	284
500 611	MR 15 x 5,5	284
500 650	KRK M	284, 360
501 101	RT	284
502 000	DB 6/4	325
503 000	DB 4	325, 326
503 700	DB 7, 5x4,5	325
505 000 / 505 141	DY 5 / DY 10 Series	292
505 310	DG 10/5	325, 326
505 320	DG 10/6	325, 326
505 330	DG 6/5	268, 325, 326
505 340	DG 7/5	325
505 380	DG 10/5 T	325, 326
505 390	DG 10/6 T	325, 326
505 390	DG 10/6 T	325, 326
505 410	DG 10/8	325, 326
505 430	DG 10/10	325, 326
505 850	DB 5	325, 326
505 910	DB 10/5	325, 326
505 915	DB 10/6	325, 326
505 920	DB 10/6, 5	325, 326
505 930	DB 10/8	325
505 940	DB 10/10	325
508 001	KIP 10 W	327
508 002	KIP 10 Y	327
508 003	KIP 15 W	327
508 004	KIP 15 Y	327
508 005	KIP 23 W	327
508 006	KIP 23 Y	327
508 008	KIP 30 W	327
508 009	KIP 30 Y	327
508 012	KIP 18 W	327
508 013	KIP 18 Y	327
508 051	KOIP SM	325, 328

Cat.No.	Type	Page
508 051	KOIP SM W	335, 338
508 057	KOIP TT W	328
508 060	Y-KOIP 209 W	328
508 061	Y-KOIP 209 Y	328
508 065	Y-OIP 1710 W	328
508 066	Y-OIP 1710 Y	328
508 080	KBE 3	294
508 520	SIT FP 4407	288, 329
508 530	SIFX 0615 Y	285, 288, 329
508 531	SIFX 0912 Y	329
508 532	SIFX 0915 Y	329
508 534	SIFX	329
508 800	PBIP 2715 W	328
508 801	PBIP 2715 G	328
508 802	PBIP 2715 Y	328
508 803	PBIP 5015 W	328
508 804	PBIP 5015 G	328
508 805	PBIP 5015 Y	328
508 806	PBIP 6715 W	328
508 807	PBIP 6715 G	328
508 808	PBIP 6715 Y	328
508 813	PBKP 2715	294
508 814	PBKP 5015	294
508 815	PBKP 6715	294
508 820	Y-PBIP 2715 W	328
508 821	Y-PBIP 2715 G	328
508 822	Y-PBIP 2715 Y	328
508 823	Y-PBIP 5015 W	328
508 824	Y-PBIP 5015 G	328
508 825	Y-PBIP 5015 Y	328
508 826	Y-PBIP 6715 W	328
508 827	Y-PBIP 6715 G	328
508 828	Y-PBIP 6715 Y	328
510 110	K 1	284
510 120	K 2	284
510 130	K 3	284
510 500	KR 1	284
515 000 / 517 048	Klemsan Wire Marking Tags	293
520 110	KBE 1	294, 302, 320
520 120	KBE 2	294, 302, 320
525 100	KUB 1	280
525 101	KUB 1/2	280
525 200	KUB 2	280
525 201	KUB 2/2	280
525 300	KUB 3	280
525 310	KUB 4 (Copper)	280
525 320	KUB 4 (Tin Plated - Copper)	280
525 350	KUB 3/3	280
525 361	BK 4	281
525 362	BK 10	281
525 363	BK 35	281
525 371	IBK 4	281
525 372	IBK 10	281
525 373	IBK 35	281
525 381	IBK 4	282
525 382	IBK 10	282
525 383	IBK 35	282
525 410	BKN 4	282
525 420	BKN 16	282
525 430	BKN 35	282
525 441	IBKN 4	283
525 442T	IBKN 4	283
525 451	IBKN 16	283
525 452T	IBKN 16	283
525 461	IBKN 35	283
525 462T	IBKN 35	283

Cat.No.	Type	Page
528 110	BM	280
532 094 B / 539 762 S	Cable Ties Series YKB 94 / YKB 762	350
540 010	KHF 2530 Wiring Duct 25x30	337, 339
540 020	KHF 2540 Wiring Duct 25x40	337, 339
540 030	KHF 2560 Wiring Duct 25x60	337, 339
540 060	KHF 4040 Wiring Duct 40x40	337, 339
540 070	KHF 4060 Wiring Duct 40x60	337, 339
540 080	KHF 4080 Wiring Duct 40x80	337, 339
540 100	KHF 6040 Wiring Duct 60x40	337, 339
540 110	KHF 6060 Wiring Duct 60x60	337, 339
540 120	KHF 6080 Wiring Duct 60x80	337, 339
540 150	KHF 8060 Wiring Duct 80x60	337, 339
540 160	KHF 8080 Wiring Duct 80x80	337, 339
540 600	HFk 25mm Wiring Duct Cover	337
540 610	HFk 40mm Wiring Duct Cover	337
540 620	HFk 60mm Wiring Duct Cover	337
540 630	HFk 80mm Wiring Duct Cover	337
541 210 B	YK 1 Self-Adhesive Tie Mounts	351
541 210 S	YK 1 Self-Adhesive Tie Mounts	351
541 280 B	YK 2 Self-Adhesive Tie Mounts	351
541 280 S	YK 2 Self-Adhesive Tie Mounts	351
542 110 B	VK 1 Self-Adhesive Tie Mounts	351
542 110 S	VK 1 Self-Adhesive Tie Mounts	351
542 120 B	VK 2 Self-Adhesive Tie Mounts	351
542 120 S	VK 2 Self-Adhesive Tie Mounts	351
551 010	KKC 2530 25x30 Wiring Duct	340, 345
551 011	KKC 2540 25x40 Wiring Duct	340, 345
551 012	KKC 2560 25x60 Wiring Duct	340, 345
551 013	KKC 4040 40x40 Wiring Duct	340, 345
551 014	KKC 4060 40x60 Wiring Duct	340, 345
551 014WS	KKC 4060 40x60 Wiring Duct	341, 346
551 015	KKC 4080 40x80 Wiring Duct	340, 345
551 015WS	KKC 4080 40x80 Wiring Duct	341, 346
551 016	KKC 6040 60x40 Wiring Duct	340, 345
551 017	KKC 6060 60x60 Wiring Duct	340, 345
551 017WS	KKC 6060 60x60 Wiring Duct	341, 346
551 018	KKC 6080 60x80 Wiring Duct	340, 345
551 018WS	KKC 6080 60x80 Wiring Duct	341, 346
551 019	KKC 8060 80x60 Wiring Duct	340, 345
551 019WS	KKC 8060 80x60 Wiring Duct	341, 346
551 020	KKC 8080 80x80 Wiring Duct	340, 345
551 020WS	KKC 8080 80x80 Wiring Duct	341, 346
551 021	KKC 1006 100x60 Wiring Duct	340, 345
551 021WS	KKC 1006 100x60 Wiring Duct	341, 346
551 022	KKC 1008 100x80 Wiring Duct	340, 345
551 022WS	KKC 1008 100x80 Wiring Duct	341, 346
551 023	KKC 1206 120x60 Wiring Duct	340, 345
551 023WS	KKC 1206 120x60 Wiring Duct	341, 346
551 024	KKC 1208 120x80 Wiring Duct	340, 345
551 024WS	KKC 1208 120x80 Wiring Duct	341, 346
551 025	KKC 1201 120x100 Wiring Duct	340, 345
551 025WS	KKC 1201 120x100 Wiring Duct	341, 346
551 030	KKC 2580 25x80 Wiring Duct	340, 345
551 031	KKC 2510 25x100 Wiring Duct	340, 345
551 032	KKC 4010 40x100 Wiring Duct	340, 345
551 032WS	KKC 4010 40x100 Wiring Duct	341, 346
551 033	KKC 6010 60x100 Wiring Duct	340, 345
551 033WS	KKC 6010 60x100 Wiring Duct	341, 346
551 034	KKC 8040 80x40 Wiring Duct	340, 345
551 035	KKC 8010 80x100 Wiring Duct	340, 345
551 035WS	KKC 8010 80x100 Wiring Duct	341, 346
551 036	KKC 1001 100x100 Wiring Duct	340, 345
551 036WS	KKC 1001 100x100 Wiring Duct	341, 346
551 040	KKC 1501 150x100 Wiring Duct	340, 345
551 040WS	KKC 1501 150x100 Wiring Duct	341, 346
551 049	KKK 15 Wiring Duct	342

Cat.No.	Type	Page
551 050	KKK 25 Wiring Duct	342
551 051	KKK 40 Wiring Duct	342
551 052	KKK 60 Wiring Duct	342
551 053	KKK 80 Wiring Duct	342
551 054	KKK 100 Wiring Duct	342
551 055	KKK 120 Wiring Duct	342
551 056	KKK 150 Wiring Duct	342
551 060	KKC 1518 15x18 Wiring Duct	339, 345
551 060YP	KKC 1518 15x18 Self-adhesive Wiring Duct	339
551 070	KKC 1530 15x30 Wiring Duct	339, 345
551 070YP	KKC 1530 15x30 Self-adhesive Wiring Duct	339
551 080	KKC 1540 15x40 Wiring Duct	339, 345
551 080YP	KKC 1540 15x40 Self-adhesive Wiring Duct	339
551 090	KKC 1560 15x60 Wiring Duct	339, 345
551 090YP	KKC 1560 15x60 Self-adhesive Wiring Duct	339
553 220	KMK 1002 Wiring Duct Cutting Tool up to 120 mm	344, 360
553 230	KKMR Wiring Duct Cutter (Hand Tool)	344, 360
553 315	KKT 4040 Wiring Duct	343
553 325	KKT 4060 Wiring Duct	343
553 335	KKT 6080 Wiring Duct	343
553 345	KKT 4080 Wiring Duct	343
553 355	KKT 6040 Wiring Duct	343
553 365	KKT 6060 Wiring Duct	343
553 375	KKT 6010 Wiring Duct	343
553 385	KKT 8060 Wiring Duct	343
553 395	KKT 1006 Wiring Duct	343
553 405	KKB Cable Clamp	343
553 415	KKM Cable Holder	343
553 425	KKT 1206 Wiring Duct	343
553 435	KKT 8080 Wiring Duct	343
553 445	KKT 8010 Wiring Duct	343
553 455	KKT 1008 Wiring Duct	343
553 465	KKT 1001 Wiring Duct	343
553 475	KKT 1208 Wiring Duct	343
553 485	KKT 1201 Wiring Duct	343
553 500	SETR Setting Tool for Rivets	343
553 600	PPE 6.5 Rivets	343
561 110	Main Tester Isolated Screwdrivers	360
561 120	Main Tester Isolated Screwdrivers	360
562 110	CUTTER 16 Hand Tools	359
562 113	CRIMPER 6 Hand Tools	357
562 114	STRIPPER 16 Hand Tools	358, 359
562 117	CRIMPER N 16 L Hand Tools	357
562 119	CRIMPER N 50 L Hand Tools	358
562 120	CRIMPER IT 6 S Hand Tools	358
562 122	CUTTER 32 Hand Tools	359
562 123	STRIPPER 28 C Hand Tools	358
562 124	CRIMPER N 16 H Hand Tools	357, 359
562 125	CRIMPER F 10 R Hand Tools	357
562 126	CRIMPER F 10 L Hand Tools	357
562 128	STRIP & CRIMP SET 1 Hand Tools	359
570 002F / IKY 50, 0/20	End Sleeves / Insulated Type IKY Series	355
571 010 / 572 090	End Sleeves / Uninsulated Type KY Series	356
579 010	HSL-02-Y	321
579 011	HSL-03-Y	321
579 012	HSL-04.5-Y	321
579 013	HSL-06-Y	321
579 014	HSL-10-Y	321
590 010 / 590 035	Insulated Terminals / Ringtype	352

Cat.No.	Type	Page
591 010 / 591 032	Insulated Terminals / Forktype	352
592 010 / 592 030	Insulated Terminals / Pinconnectors	352
593 010 / 593 030	Insulated Terminals / Female Disconnect	353
594 010 / 594 030	Insulated Terminals / Male Disconnect	353
595010 / 595031	Fully Insulated Terminals / Female Disconnect	353
596010 / 596031	Insulated Terminals / Piggy Back	354
597 010 / 597 030	Insulated Terminals / Butt Connectors	353
598 010 / 598 030	Insulated Terminals / Male Bullet	354
599 010 / 599 030	Insulated Terminals / Female Bullet	354
630 110	RR 11 Rubber Glands	351
630 135	RR 13, 5 Rubber Glands	351
630 160	RR 16 Rubber Glands	351
630 210	RR 21 Rubber Glands	351
630 290	RR 29 Rubber Glands	351
630 360	RR 36 Rubber Glands	351
630 420	RR 42 Rubber Glands	351
670 100	PAP	290
670 200	PAP - LED	290
670 300	PAP - UPS	290
670 400	PAP - UPS + LED	290
670 500	PAP - KK	290
806 000	Klecard Thermal Card Printer	297
806 010	KL-PLT A Plate (for Terminal Block Markers)	299
806 020	KL-PLT B Plate (for Flat Media)	299
806 030	KL-PLT C Plate (for Clip-it Cable Markers)	299
806 040	PC-PLT A For Different Brand Terminal Block Markers	299
806 100	KL-RB Ribbon - BLACK	298
806 101	KL-RB Ribbon - RED	298
806 102	KL-RB Ribbon - BLUE	298
808 064	ETPS 40-SV 27x12,5	322
808 065	ETPS 40-SV 27x15	322
808 066	ETPS 40-SV 35x18	322
808 067	ETPS 40-SV 45x15	322
808 068	ETPS 40-SV 60x30	322
808 069	ETPS 40-SV 90x45	322
808 070	TTSL 40- WH 12,7x19,5	321
808 071	TTSL 40- WH 19x23,8	321
808 072	TTSL 40- WH 12,7x36,5	321
808 073	TTSL 40- WH 19x44,5	321
808 074	TTSL 40- WH 25,4x36,5	321
808 075	TTSL 40- WH 25,4x57,15	321
808 076	TTSL 40- WH 25,4x95,25	321
808 077	TTSL 40- WH 25,4x152,4	321
808 078	TTSL 40- WH 50,8x92,25	321
808 079	TTSL 40- WH 50,8x177,8	321
808 158	TTKP 8x10	319
808 159	TTKP 8x15	319
808 160	TTKP 8x30	319
808 161	T-PBIP 27x15 Y/W	324
808 162	T-PBIP 27x15 Y/W	324
808 163	T-PBIP 67x15 Y/W	324
808 164	I-KBE1 29x8 Y/W	320
808 165	I-KBE2 39x15 Y/W	320
808 166	T-PBIP 27x8 Y/W	324
808 167	T-PBIP 27x18 Y/W	324
808 400	SPYE-02 SV	322
808 401	SPYE- 04 SV	322

Cat.No.	Type	Page
808 402	SPYE-05 SV	322
808 403	PYE-01 YL	322
808 404	PYE-02 YL	322
808 405	PYE-03 YL	322
808 406	PYE-04 YL	322
808 409	PYE-05 YL	322
808 412	OYE-07 Y	329
808 413	OYE-06 Y	329
808 414	OYE-05 Y	329
808 415	OYE-03 Y	329
808 416	OYE-01 Y	329
808 417	OYE-04 Y	329
808 418	OYE-02 Y	329
808 419	PYE - 01 W	322
808 420	PYE-01 SV	322
808 421	PYE-02 W	322
808 422	PYE-02 SV	322
808 423	PYE-03 W	322
808 424	PYE-03 SV	322
808 425	PYE-04 W	322
808 426	PYE-04 SV	322
808 427	PYE-05 W	322
808 428	PYE-05 SV	322
808 429	SPYE-00 SV	322
808 430	SPYE- 01 SV	322
808 431	SPYE-03 SV	322
808 432	SPYE-06 SV	322
808 433	LSL-03 W	323
808 434	LSL-03 SV	323
808 435	LSL-03 YL	323
808 436	LSL-05 W	323
808 437	LSL-05 SV	323
808 438	LSL-05 YL	323
808 439	LSL-08 W	323
808 440	LSL-08 SV	323
808 441	LSL-08 YL	323
808 452	Tx300 Thermal Roll Printer	315, 316
808 454	SPYE-06 SV	322
808 500	KCIP-Y 7x44	288, 303
808 501	KCIP-Y 7x44	303
808 502	KCIP-Y 10x17	303
808 503	KCIP-Y 9x12	303
808 504	KCIP-Y 6x15	303
808 505	KCIP-Y 9x15	303
808 506	KCIP-Y 8x20	303
808 507	KCIP-Y 9x35	303
808 551	KCIPR-W 15x27	304
808 552	KCIPR-W 18x27	304
808 554	KCIPR-W 15x50	304
808 555	KCIPR-W 15x67	304
808 601	KCIPR-Y 15x27	304
808 602	KCIPR-Y 18x27	304
808 604	KCIPR-Y 15x50	304
808 605	KCIPR-Y 15x67	304
808 651	KCIPR-S 15x27	304
808 652	KCIPR-S 18x27	304
808 654	KCIPR-S 15x50	304
808 655	KCIPR-S 15x67	304
808 701	KCIPA-W 10x17	305
808 702	KCIPA-W 9x12	305
808 703	KCIPA-W 6x15	305
808 704	KCIPA-W 9x15	305
808 705	KCIPA-W 8x20	305
808 706	KCIPA-W 9x35	305
808 707	KCIPA-W 9x50	305
808 708	KCIPA-W 8x27	305
808 709	KCIPA-W 12.5x27	305

Cat.No.	Type	Page
808 710	KCIPA-W 15x27	305
808 711	KCIPA-W 18x27	305
808 712	KCIPA-W 27x27	305
808 713	KCIPA-W 18x35	35
808 714	KCIPA-W 15x50	305
808 715	KCIPA-W 15x67	305
808 716	KCIPA-W 50x100	305
808 717	KCIPA-W 105x130	305
808 718	KCIPA-W 75x100	305
808 751	KCIPA-Y 10x17	306
808 752	KCIPA-Y 9x12	306
808 753	KCIPA-Y 6x15	306
808 754	KCIPA-Y 9x15	306
808 755	KCIPA-Y 8x20	306
808 756	KCIPA-Y 9x35	306
808 757	KCIPA-Y 9x50	306
808 758	KCIPA-Y 8x27	306
808 759	KCIPA-Y 12.5x27	306
808 760	KCIPA-Y 15x27	306
808 761	KCIPA-Y 18x27	306
808 762	KCIPA-Y 27x27	306
808 763	KCIPA-Y 18x35	306
808 764	KCIPA-Y 15x50	306
808 765	KCIPA-Y 15x67	306
808 766	KCIPA-Y 50x100	306
808 767	KCIPA-Y 105x130	306
808 768	KCIPA-Y 75x100	306
808 801	KCIPA-S 10x17	307
808 802	KCIPA-S 9x12	307
808 803	KCIPA-S 6x15	307
808 804	KCIPA-S 9x15	307
808 805	KCIPA-S 8x20	307
808 806	KCIPA-S 9x35	307
808 807	KCIPA-S 9x50	307
808 808	KCIPA-S 8x27	307
808 809	KCIPA-S 12.5x27	307
808 810	KCIPA-S 15x27	307
808 811	KCIPA-S 18x27	307
808 812	KCIPA-S 27x27	307
808 813	KCIPA-S 18x35	307
808 814	KCIPA-S 15x50	307
808 815	KCIPA-S 15x67	307
808 816	KCIPA-S 50x100	307
808 817	KCIPA-S 105x130	307
808 818	KCIPA-S 75x100	307
808 951	KCPM-W 4x10	301
808 952	KCPM-W 4x15	301
808 953	KCPM-W 4x23	301
808 954	KCPM-W 4x30	301
808 955	KCPM-W 4x18	301
809 001	KCPM-Y 4x10	301
809 002	KCPM-Y 4x15	301
809 003	KCPM-Y 4x23	301
809 004	KCPM-Y 4x30	301
809 005	KCPM-Y 4x18	301
810 300	D-NS 5x6 Tags	299
810 450	D-NS 5,2x6 Tags	299
811 750	D-NS 5x10 Tags	299
812 250	D-NS 6x10 Tags	299
812 750	D-NS 8x10 Tags	299
813 100	D-NS 10x10 Tags	299
814 300	KE1-NS 4x12	300
814 500	KE2-NS 4x12	300
814 700	KE3-NS 4x12	300
814 900	KE1-NS 4x18	300
815 100	KE2-NS 4x18	300
815 300	KE3-NS 4x18	300

www.klemsan.com



Klemsan