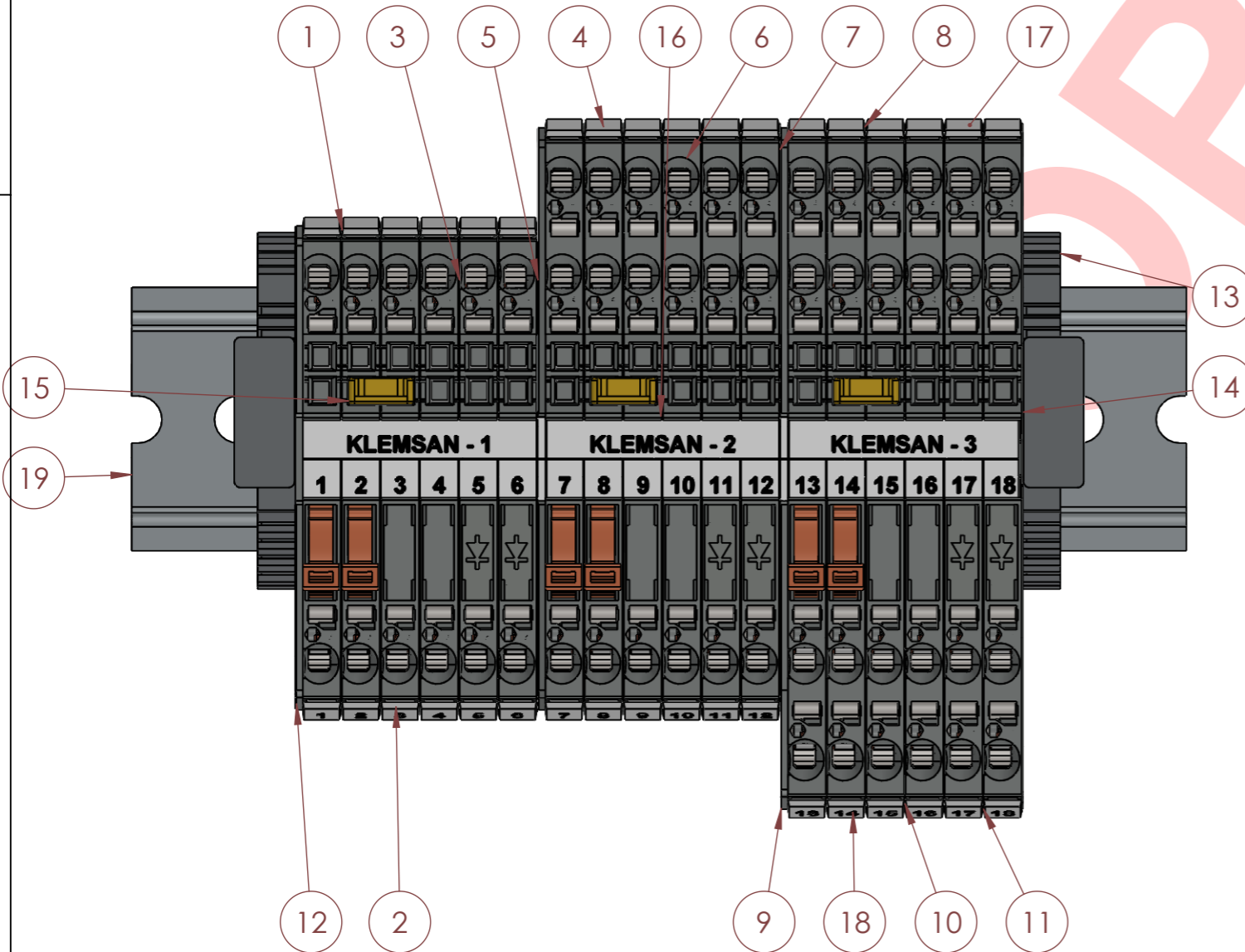
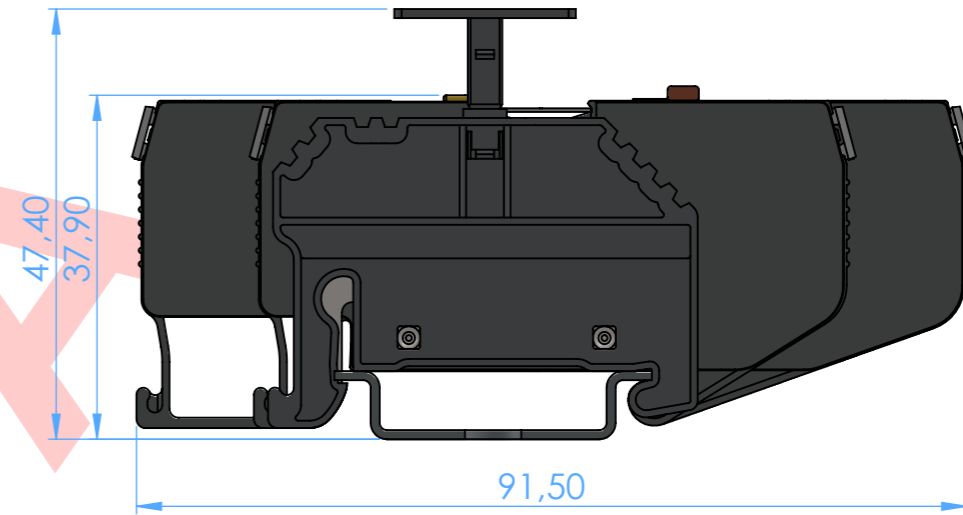
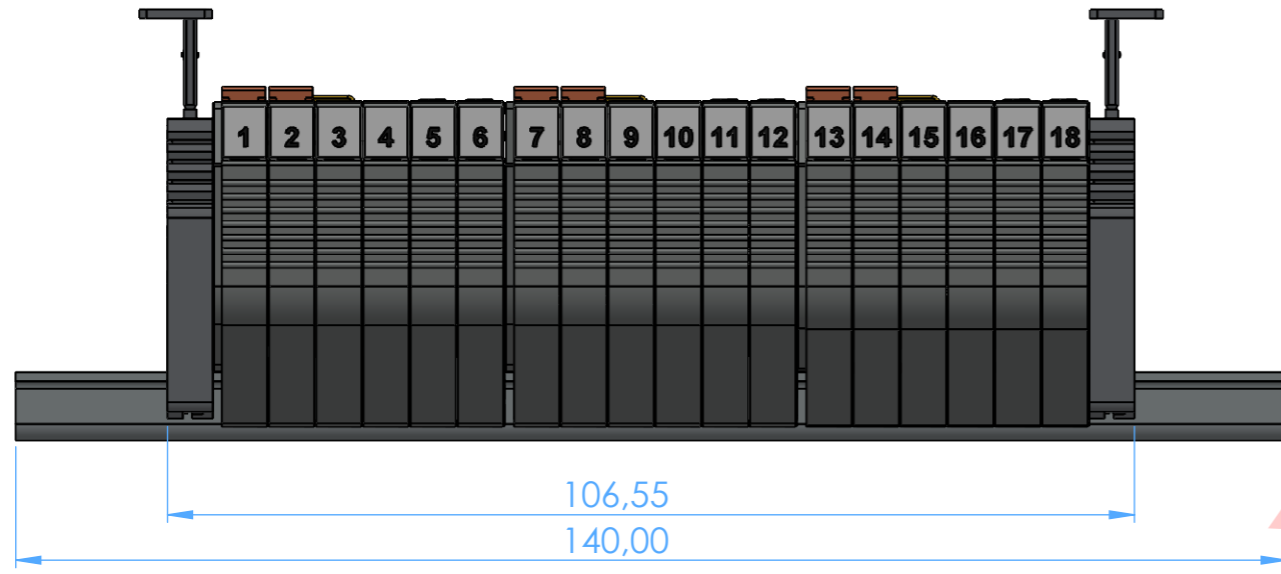


ATTENTION
All information contained in this document is the exclusive property of KLEMSAN and may neither be used nor disclosed without its prior written consent. Parts manufactured to this drawing may not be given to third parties without the prior written consent of KLEMSAN.
DO NOT SCALE REVISE ONLY ON CAD NO MODIFICATIONS PERMITTED



NOT: ME 4 parçalar demonte şekilde setin yanına konulacaktır.

NO.	QTY.	PART NAME	PART NUMBER
19	1	MR35x7,5 RAY 140 MM (SLOTLU) (CINKO KAPLI)	2.7.3.1.012412
18	18	DGO 6 X 5 (OZEL) BEYAZ	0.1.0.0.505370
17	18	DG 6 x 5 (BASKISIZ)	0.1.0.0.505330
16	1	SERIT ETIKET 11,2 (95mm)	2.8.0.4.000138
15	3	CS 2,5/2	0.1.0.0.470102
14	2	ME 4 (GRI)	0.1.0.0.496329
13	2	KD 8 (GRI)	0.1.0.0.495229
12	1	NPP_SRD 2.5E GRI	0.1.0.0.451159
11	2	SRD 2,5CAD-A (GRI)	0.1.0.0.311329
10	2	SRD 2,5CAK (GRI)	0.1.0.0.311349
9	1	NPP_SRD 2.5CA GRI	0.1.0.0.451169
8	2	SRD 2,5CA (GRI)	0.1.0.0.311319
7	2	SRD 2,5EAD-A (GRI)	0.1.0.0.311289
6	2	SRD 2,5EAK (GRI)	0.1.0.0.311309
5	1	NPP_SRD 2.5C GRI	0.1.0.0.451189
4	2	SRD 2,5EA (GRI)	0.1.0.0.311279
3	2	SRD 2,5AD-A (GRI)	0.1.0.0.311249
2	2	SRD 2,5AK (GRI)	0.1.0.0.311269
1	2	SRD 2,5A (GRI)	0.1.0.0.311239

ADI - SOYADI NAME - SURNAME	TARİH DATE	İMZA SIGN	KAPLAMA PLATED	SERTLİK (Hv) HARDNESS (Hv)	AĞIRLIK (KG) MASS (KG)	Klemsan® ELEKTRİK ELEKTRONİK SAN. ve TİC. A.Ş. www.klemsan.com.tr	MIKTAR QUANTITY	SAYFA NO PAGE NR
CİZEN DRAWN BY	T.GÜRIŞİK	09.07.2018			0.24208675			
KONTROL CONTROL	S.SERVÜZ	19.09.2018		MALZEME MATERIAL	MALZEME STOK KODU MATERIAL STOCK CODE			
ONAY APPROVAL	M.AKAY	19.09.2018						
ÖLÇEK SCALE	1:2						1/1	
PROJE GRUBU/İPİ PRODUCT GROUP/TYPE	PARÇA/MONTAJ ADI PART/ASSEMBLY NAME		RESİM NO DRAWING NO	REV. NO	ANİTET FORMAT			
OZEL SETLER ONAYLANMIS_SETLER	SRD 2.5A SERISI SET		0.0.0.9.00238	01	A3			

DOSYA YOLU : C:\PDMView\KLEMSAN_MSIELEKTROTEKNIK\PROJELER\OZEL_SETLER\ONAYLANMIS_SETLER\