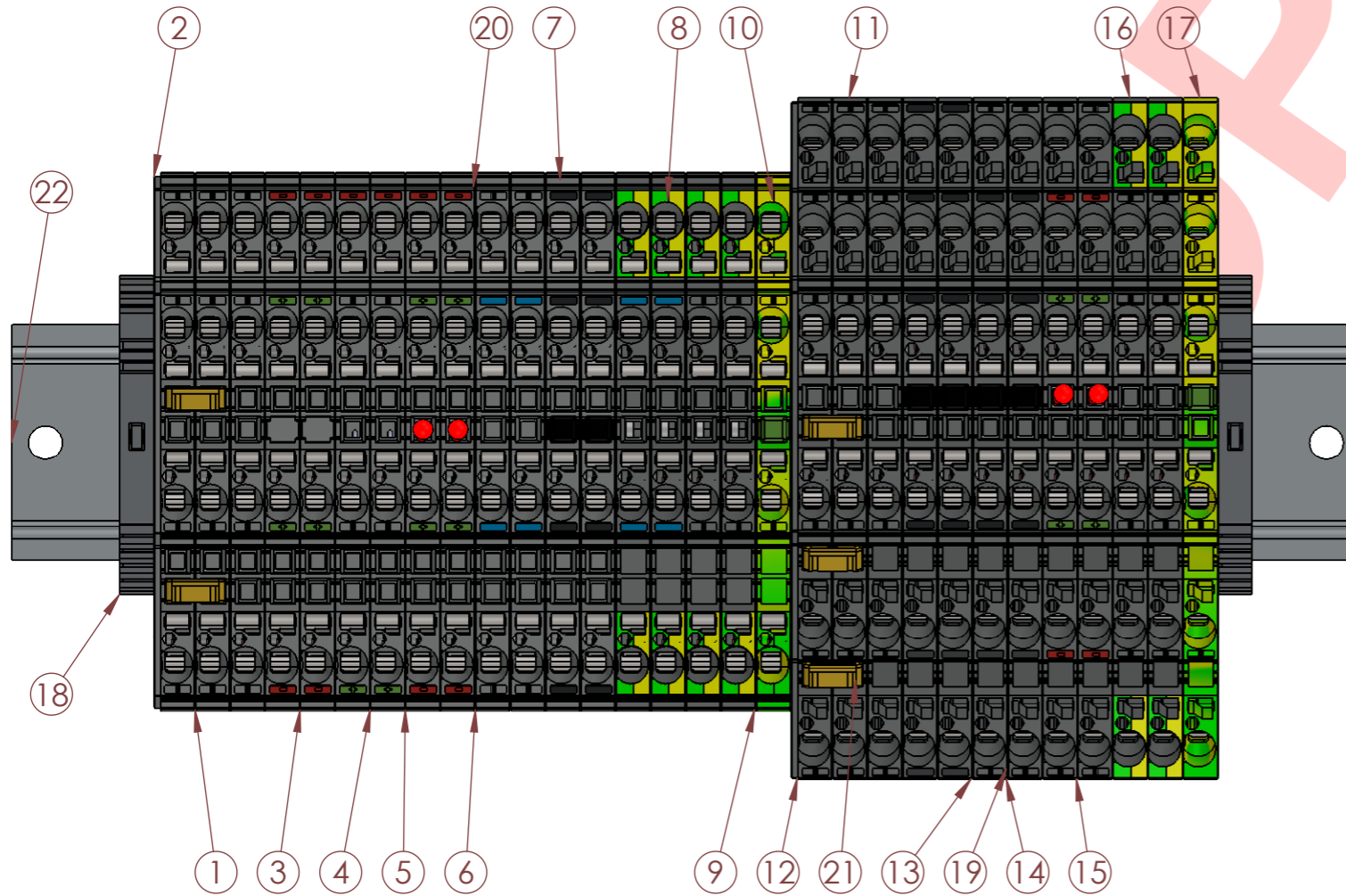
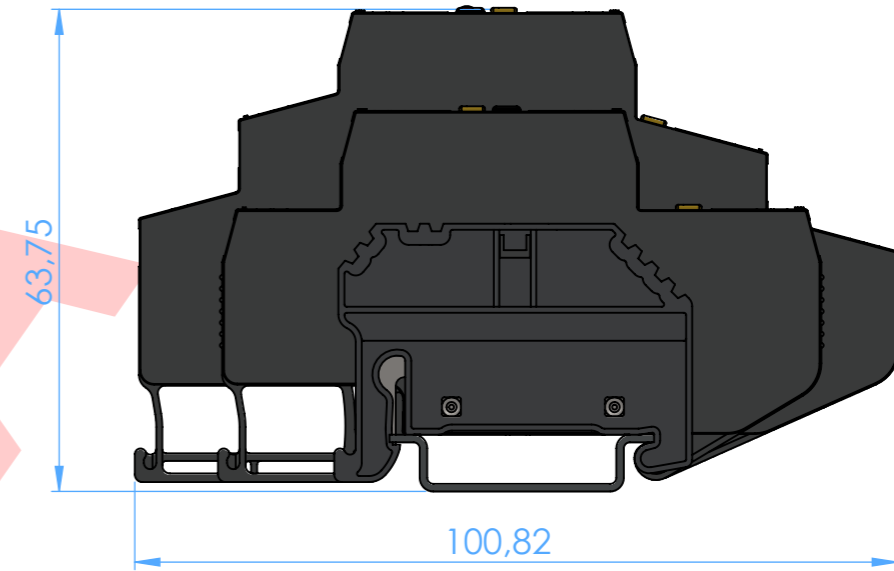
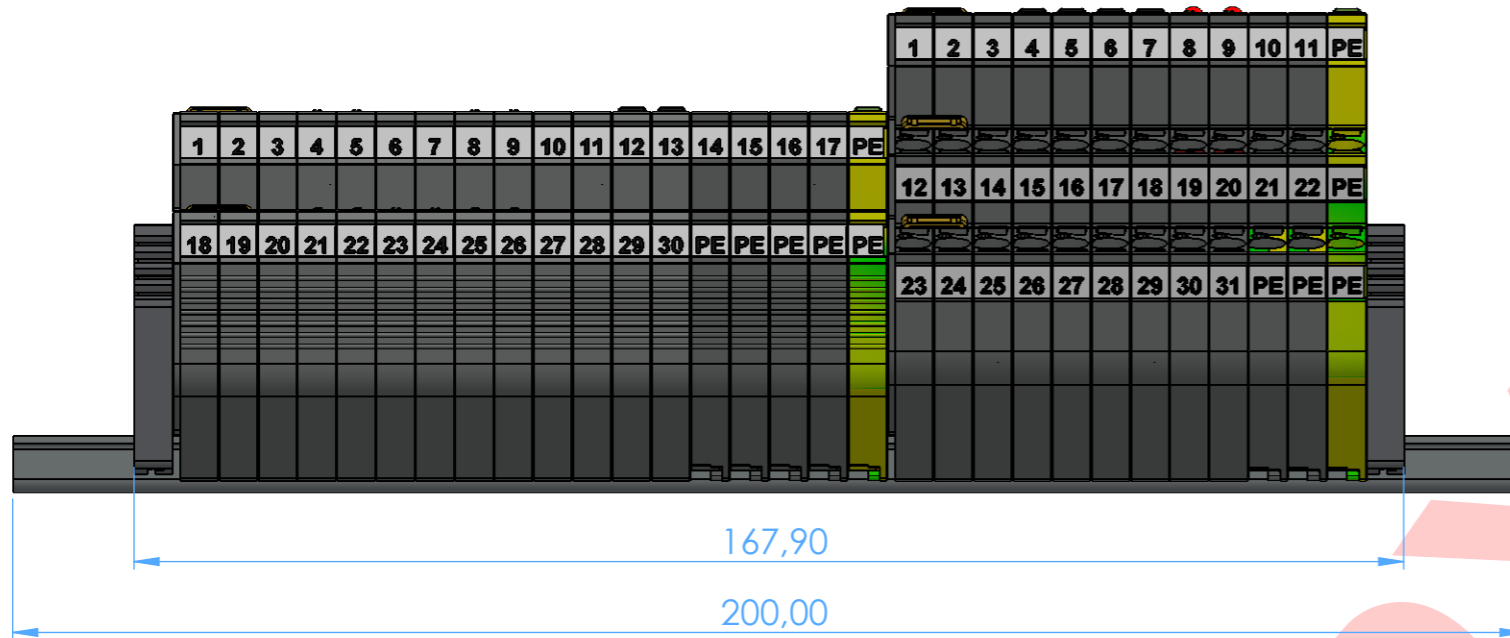


ATTENTION
All information contained in this document is the exclusive property of KLEMSAN and may neither be used nor disclosed without its prior written consent. Parts manufactured to this drawing may not be given to third parties without the prior written consent of KLEMSAN.
DO NOT SCALE REVISE ONLY ON CAD NO MODIFICATIONS PERMITTED



NO.	QTY.	PART NAME	PART NUMBER
22	1	MR35x7,5 RAY 200 MM (DELIKLI) (CINKO KAPLI)	2.7.3.1.008212
21	5	CS 2,5/2	0.1.0.0.470102
20	4	SERIT ETIKET 4,9 (93 MM)	2.8.0.4.001105
19	6	SERIT ETIKET 4,9 (62 MM)	2.8.0.4.001104
18	2	KD 8 (GRI)	0.1.0.0.495229
17	1	SRD 2,5-3T (SARI-YESIL)	0.1.0.0.337160
16	2	SRD 2,5-2FT (GRI)	0.1.0.0.311619
15	2	SRD 2,5-3FLD-24VDC (GRI)	0.1.0.0.311579
14	2	SRD 2,5-2KF (GRI)	0.1.0.0.311569
13	2	SRD 2,5-3FK (GRI)	0.1.0.0.311559
12	1	NPP_SRD 2.5_3F (GRI)	0.1.0.0.451109
11	3	SRD 2,5-3F (GRI)	0.1.0.0.311549
10	1	SRD 2,5-2T (SARI-YESIL)	0.1.0.0.337150
9	2	SRD 2,5-FT (GRI)	0.1.0.0.311529
8	2	SRD 2,5-NT (GRI)	0.1.0.0.311539
7	2	SRD 2,5-2FK (GRI)	0.1.0.0.311519
6	2	SRD 2,5-FN (GRI)	0.1.0.0.311509
5	2	SRD 2,5-2FLD-24VDC (GRI)	0.1.0.0.311399
4	2	SRD 2,5-2FD-R (GRI)	0.1.0.0.311389
3	2	SRD 2,5-2FD-A (GRI)	0.1.0.0.311369
2	1	NPP-SRD_CTP 2,5-2F GRI	0.1.0.0.451079
1	3	SRD 2,5-2F (GRI)	0.1.0.0.311359

ADI - SOYADI NAME - SURNAME	TARİH DATE	İMZA SIGN	KAPLAMA PLATED	SERTLİK (Hv) HARDNESS (Hv)	AĞIRLIK (KG) MASS (KG)	Klemsan® ELEKTRİK ELEKTRONİK SAN. ve TİC. A.Ş. www.klemsan.com.tr	MIKTAR QUANTITY	SAYFA NO PAGE NR
CİZEN DRAWN BY G.GÜLSEVER	12.10.2018				0.53947726			
KONTROL CONTROL S.SERVÜZ	12.10.2018		MALZEME MATERIAL	MALZEME STOK KODU MATERIAL STOCK CODE				
ONAY APPROVAL M.AKAY	12.10.2018							
ÖLÇEK SCALE 1:2							1/1	
PROJE GRUBU/TİPİ PRODUCT GROUP/TYPE ÖZEL SETLER ONAYLANMIS_SETLER			PARÇA/MONTAJ ADI PART/ASSEMBLY NAME SRD 2,5 SERİSİ COK KATLI SET			RESİM NO DRAWING NO 0.0.0.9.00236	REV. NO 01	ANTEK FORMAT A3

DOSYA YOLU : C:\PDMView\KLEMSAN_MS\ELEKTROTEKNİK\PROJELER\ÖZEL_SETLER\ONAYLANMIS_SETLER\