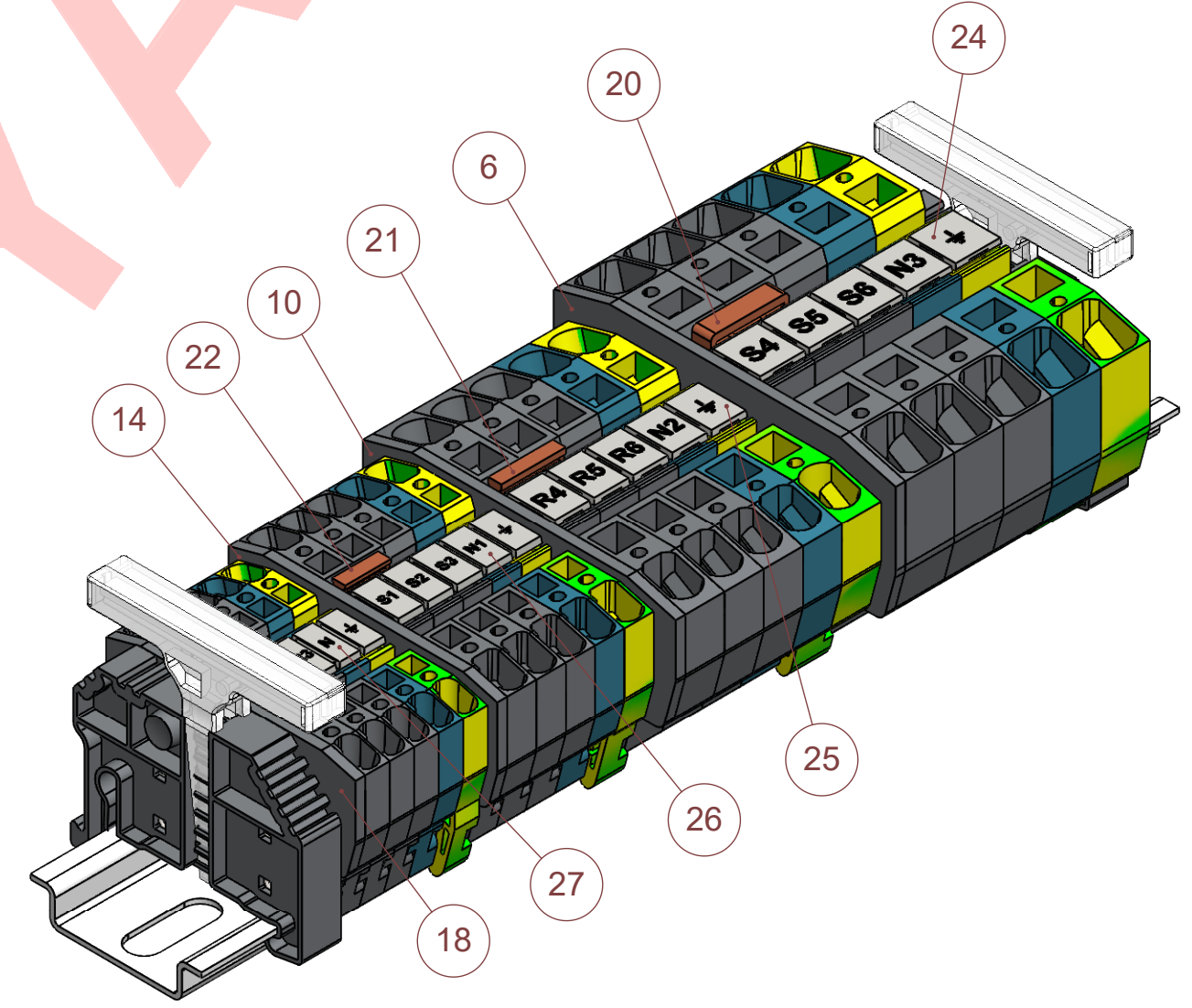
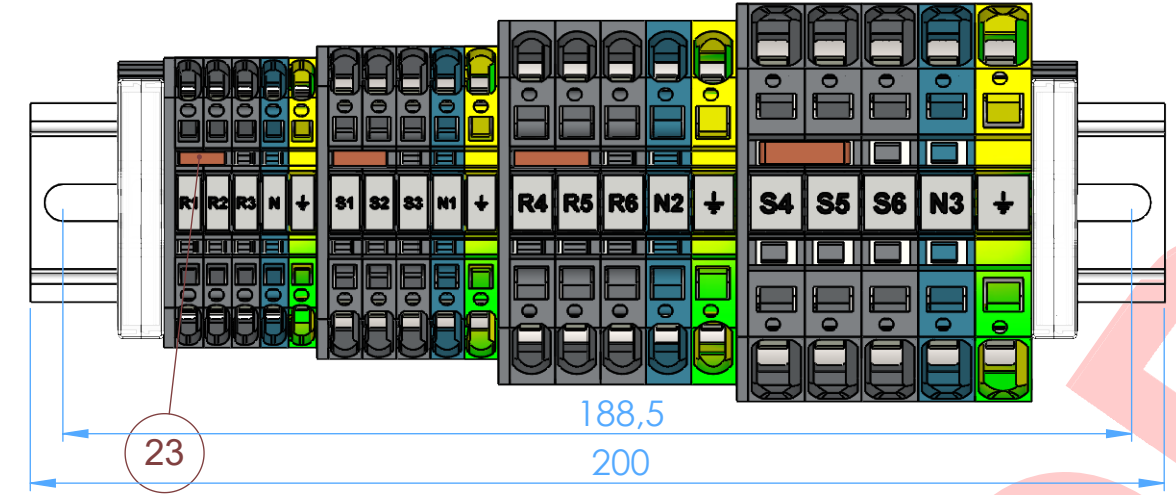
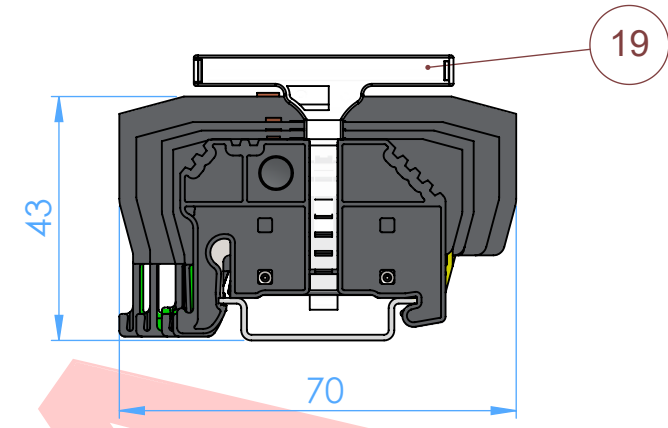
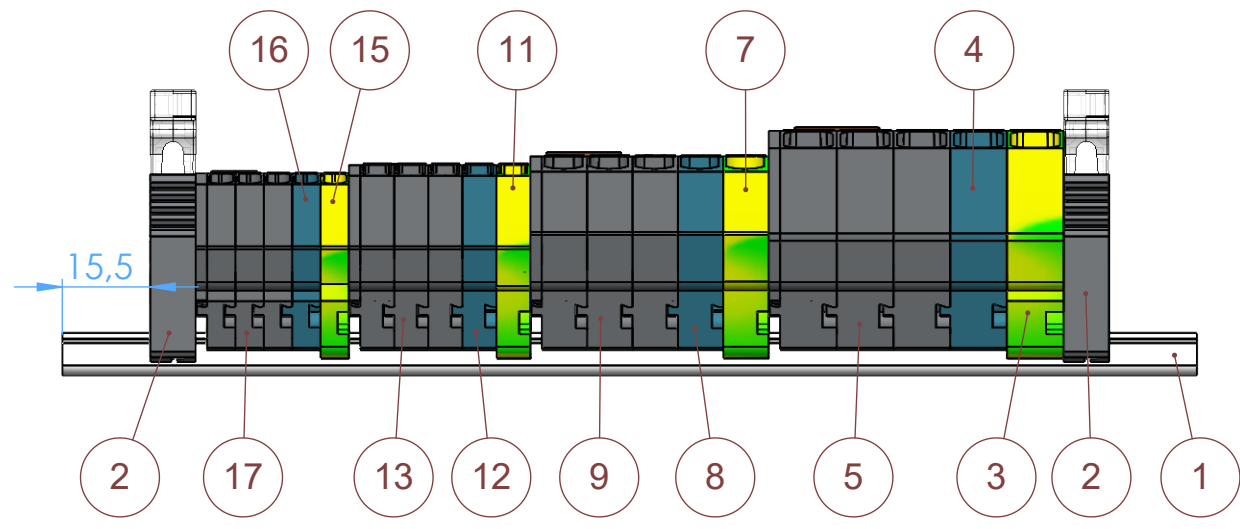


ATTENTION
All information contained in this document is the exclusive property of KLEMSAN and may neither be used nor disclosed without its prior written consent. Parts manufactured to this drawing may not be given to third parties without the prior written consent of KLEMSAN.
DO NOT SCALE REVISE ONLY ON CAD NO MODIFICATIONS PERMITTED



NO.	QTY.	PART NAME	PART NUMBER
27	5	DGO 10 X 5 (OZEL) BEYAZ	0.1.0.0.505350
26	5	DGO 10 X 6 (OZEL) BEYAZ	0.1.0.0.505360
25	5	DO 10x8 (OZEL BASKILI)	0.1.0.0.505420
24	5	DO 10x10 (OZEL BASKILI)	0.1.0.0.505440
23	1	UK 2,5/2 - YBK 2,5	0.1.0.0.476222
22	1	UK 4/2 - YBK 4 / ASK 3	0.1.0.0.476232
21	1	UK 6/2 - YBK 6	0.1.0.0.476242
20	1	UK 10/2 - YBK 10	0.1.0.0.476252
19	2	ME 1-1 SEFFAF	0.1.0.0.49612A
18	1	NPP / YBK 2,5 GRI	0.1.0.0.446329
17	3	YBK 2,5 GRI (MONTAJ)	0.1.0.0.306229
16	1	YBK 2,5 MAVI (MONTAJ)	0.1.0.0.306221
15	1	YBK 2,5T	0.1.0.0.336220
14	1	NPP / YBK 4 GRI	0.1.0.0.446339
13	3	YBK 4 GRI (MONTAJ)	0.1.0.0.306239
12	1	YBK 4 MAVI (MONTAJ)	0.1.0.0.306231
11	1	YBK 4T	0.1.0.0.336230
10	1	NPP / YBK 6 GRI	0.1.0.0.446349
9	3	YBK 6 GRI (MONTAJ)	0.1.0.0.306249
8	1	YBK 6 MAVI (MONTAJ)	0.1.0.0.306241
7	1	YBK 6T	0.1.0.0.336240
6	1	NPP / YBK 10 GRI	0.1.0.0.446359
5	3	YBK 10 GRI (MONTAJ)	0.1.0.0.306259
4	1	YBK 10 MAVI (MONTAJ)	0.1.0.0.306251
3	1	YBK 10T	0.1.0.0.336250
2	2	KD 4 GRI	0.1.0.0.495059
1	1	MR35x7,5 RAY 200 MM (SLOTLU) (CINKO KAPLI)	2.7.3.1.007212

GENERAL TOLERANCE	0...15 mm	15...30 mm	30... mm
±0,10	±0,10	±0,15	±0,20
±0,15	±0,15	±0,20	±0,30

ADI - SOYADI NAME - SURNAME	TARİH DATE	İMZA SIGN	KAPLAMA PLATED	SERTLİK (Hv) HARDNESS (Hv)	AĞIRLIK (KG) MASS (KG)
G.GÜLCAN	14.11.2018				0.31220489
CİZEN DRAWN BY	KONTROL CONTROL	ONAY APPROVAL	MALZEME MATERIAL	MALZEME STOK KODU MATERIAL STOCK CODE	
S.SERVÜZ	S.SERVÜZ	M.AKAY			
ÖLÇEK SCALE	1:2				
PROJE GRUBU/TIPI PRODUCT GROUP/TYPE			PARÇA/MONTAJ ADI PART/ASSEMBLY NAME		
OZEL SETLER ONAYLANMIS_SETLER			YBK SERISI SET		
RESİM NO DRAWING NO		REV. NO	MIKTAR QUANTITY		SAYFA NO PAGE NR
0.0.0.9.00055		00			1/1
ANTET FORMAT					
A3					

DOSYA YOLU :C:\PDMView\KLEMSAN_MS\ELEKTROTEKNİK\PROJELER\OZEL_SETLER\ONAYLANMIS_SETLER\

DİKKAT
* İlk ürün onayında (FA) ve her siparişte balonlu ölçüler ve teknik istelere (Kaplama, Serifik vs.) ait ölçüm raporu gönderilecektir.
ATTENTION
* Supplier must send test report for dimensions and technical requirements (Coating, Hardness, etc) at FA and with every order

N8
A
B
C
D
E
F